

SD 43-165

Model:
SD 43-165



Part List US-English

27-02-2011

Table of Contents

SD 43-165

Base part	3
Handle	5
Solution tank	7
Sprayer	9
Electrical diagram	11

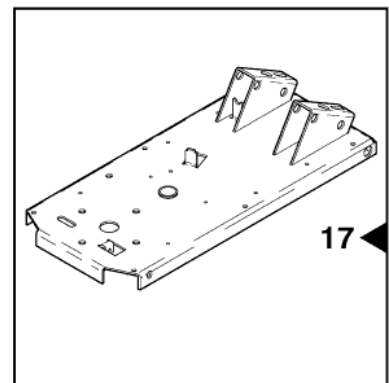
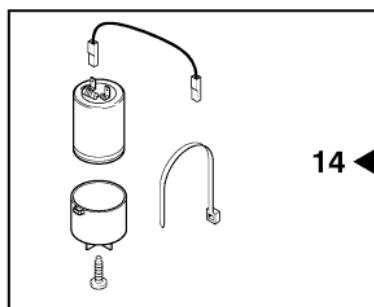
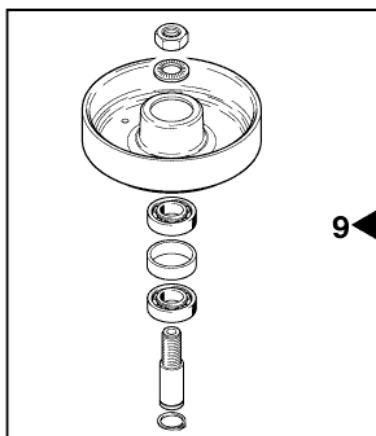
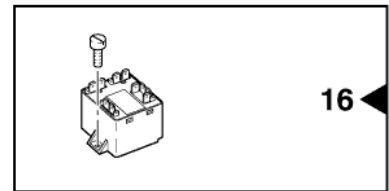
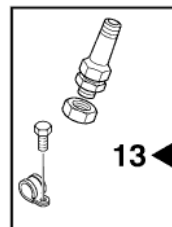
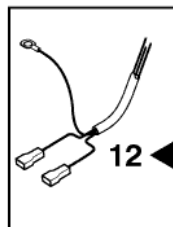
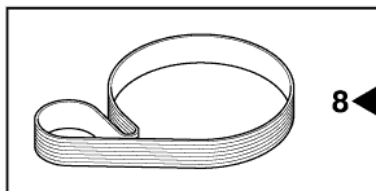
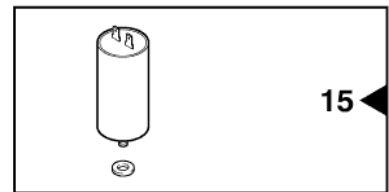
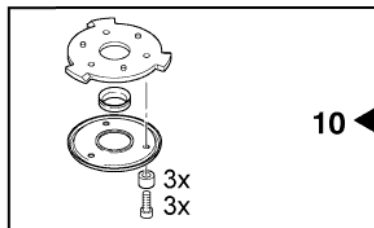
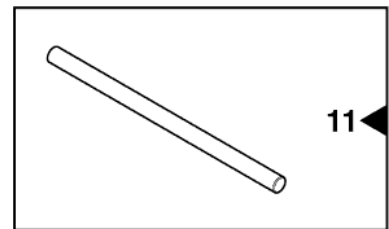
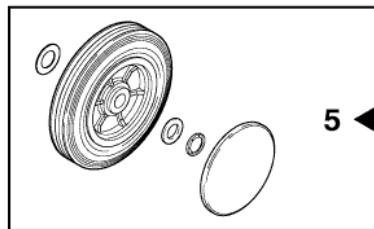
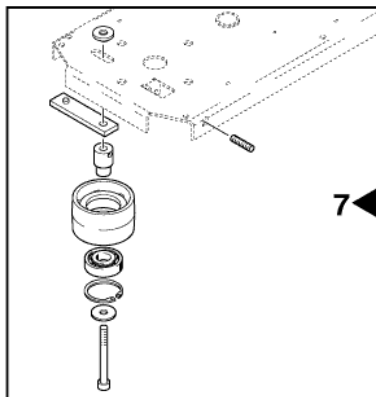
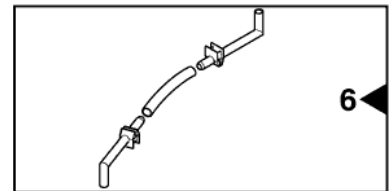
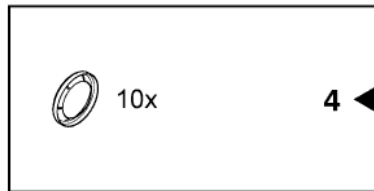
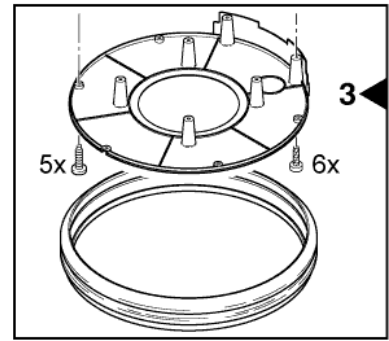
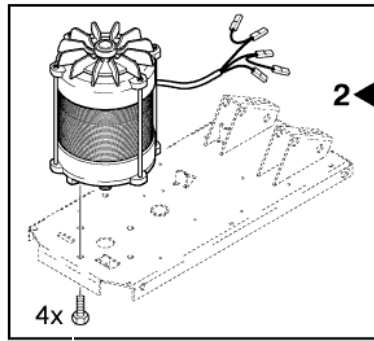
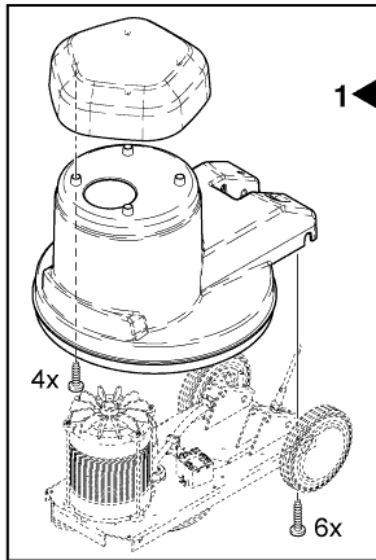
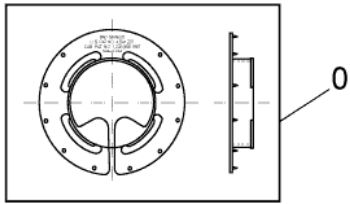
Base part

SD 43-165

27-02-2011

Part List ID
D7333

3



Base part

SD 43-165

27-02-2011

Part List ID
D7333

4

Pos	Part no.	Qty	Description	EAN
0	303000093	1	PAD LOCK DEVICE 250X20	4005337675
0	303000364	1	PAD LOCK DEVICE 159X16	4005337061
1	20693600	1	MOTOR HOUSING FOR SD	5715492031
2	20693701	1	MOTOR COMPLETE 230AT 50HZ	5715492031
3	20693500	1	BOTTOM PLATE FOR SD SERIE	5715492031
4	20693900	1	WHEEL HOLDER	5715492031
5	20694000	1	SINGLE WHEEL COMPLETE FOR	5715492031
6	20694100	1	SOLUTION TUBE FOR SD	5715492031
7	20694200	1	BELT TENSION PULLEY FOR	5715492031
8	20694300	1	BELT FOR SD SERIES	5715492031
9	20694400	1	DRIVE PULLEY COMPLETE FOR	5715492031
10	20694500	1	BRUSH SUPPORT FOR SD/SDM	5715492031
11	20694600	1	WHEEL SHAFT FOR SD SERIES	5715492031
12	20694700	1	CABLE TREE FOR SD SERIES	5715492031
13	20694800	1	CABLE GROMMET FOR SD	5715492031
14	20694900	1	CAPACITOR 125UF FOR SD	5715492031
15	20695000	1	CAPACITOR 25UF FOR SD	5715492031
16	20695100	1	RELAY FOR SD SERIES	5715492031
17	20695200	1	BASIC SHEET METAL FOR SD	5715492031

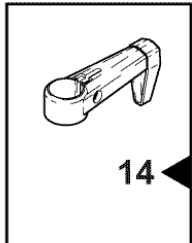
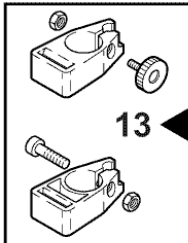
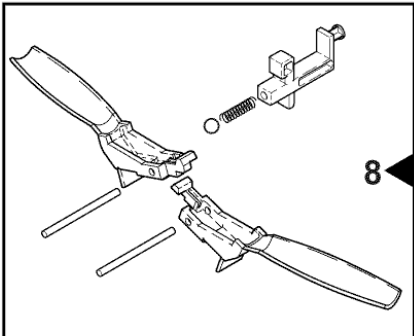
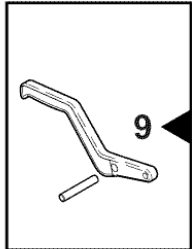
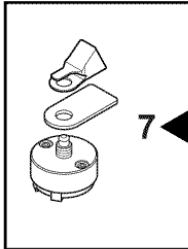
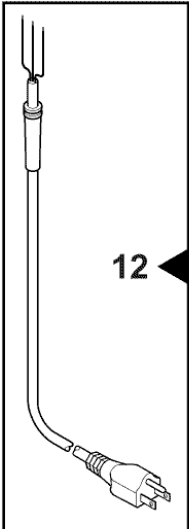
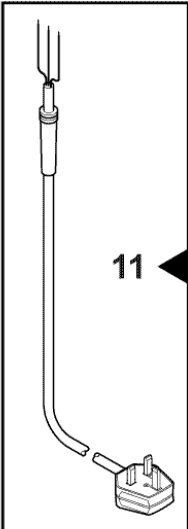
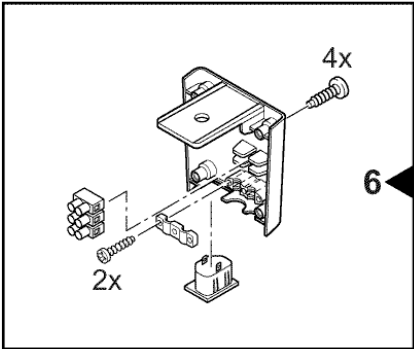
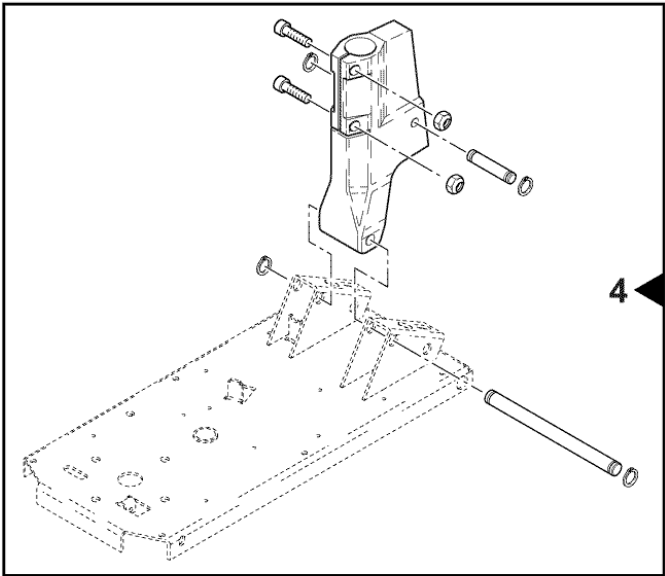
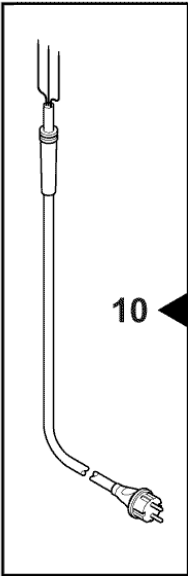
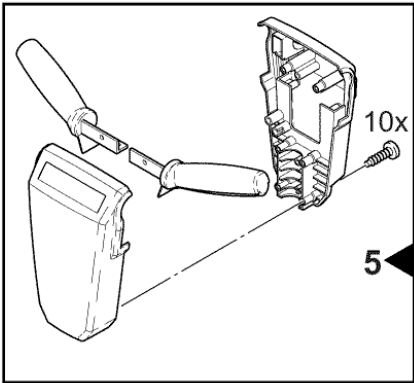
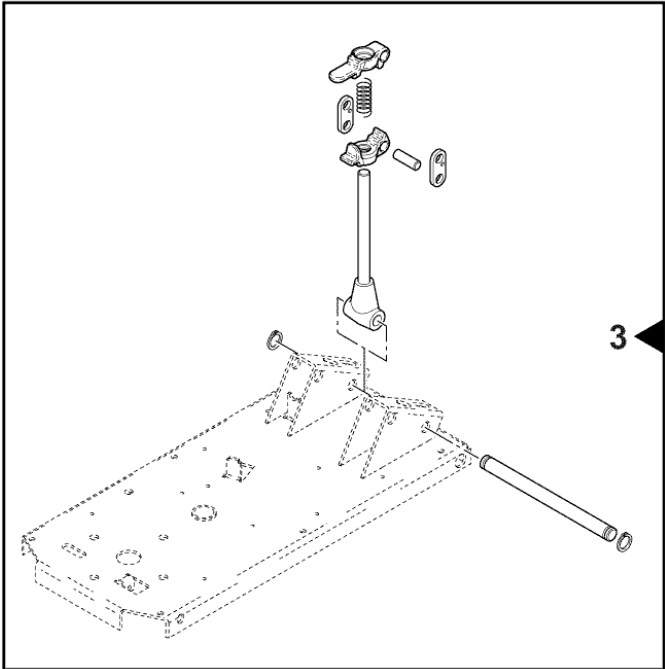
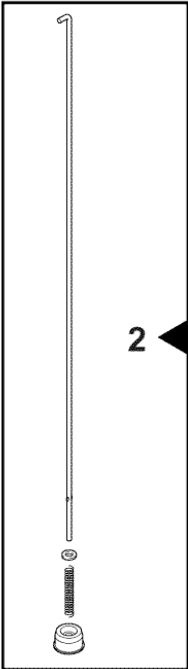
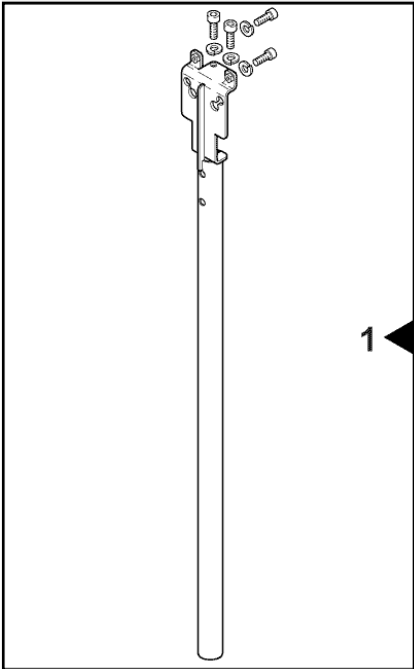
Handle

SD 43-165

27-02-2011

Part List ID D7335

5



Handle

SD 43-165

27-02-2011

Part List ID

D7335

6

Pos	Part no.	Qty	Description	EAN
1	20695300	1	SHAFT TUBE FOR SD/SDM	5715492031
2	20695400	1	ROD FOR SD/SDM SERIES	5715492031
3	20695500	1	SHAFT ADJUSTER COMPLETE	5715492031
4	20695600	1	SHAFT ADJUSTMENT UNIT FOR	5715492031
5	20695700	1	TOP PART FOR SD SERIES	5715492031
6	20702500	1	CONNECTION BOX CPL.	5715492026
7	20702600	1	SWITCH COMPLETE	5715492026
8	20702710	1	HANDLE LEVER SOFT	
9	20702800	1	SHAFT ADJUSTMENT LEVER	5715492026
10	20695800	1	MAIN CABLE SD and SDM MACHINES	5715492031
11	20695900	1	CABLE 110-230AT 50-60HZ	5715492031
12	20696000	1	CABLE 110-230AT 50-60HZ	5715492031
13	20703000	1	SOLUTION TANK HOLDER	5715492026
14	20703100	1	CABLE HOOK FOR SD/SDM/ SDS	5715492026

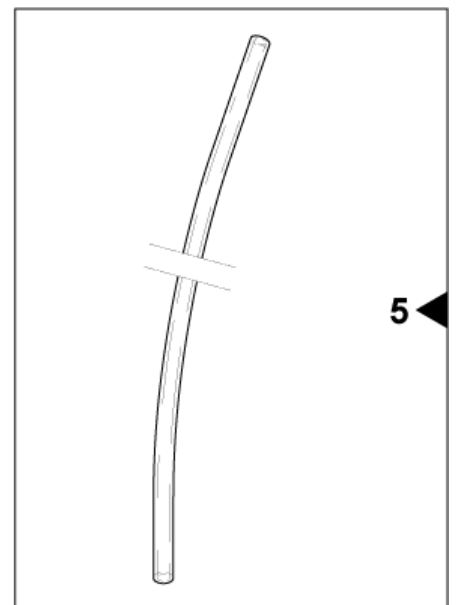
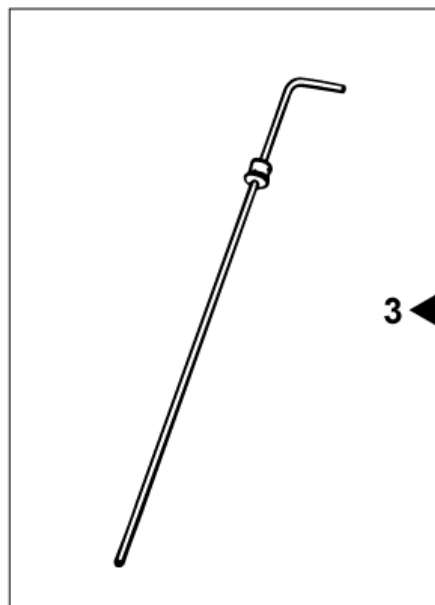
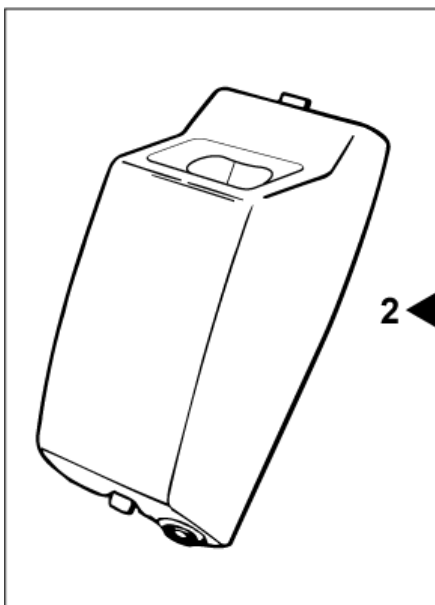
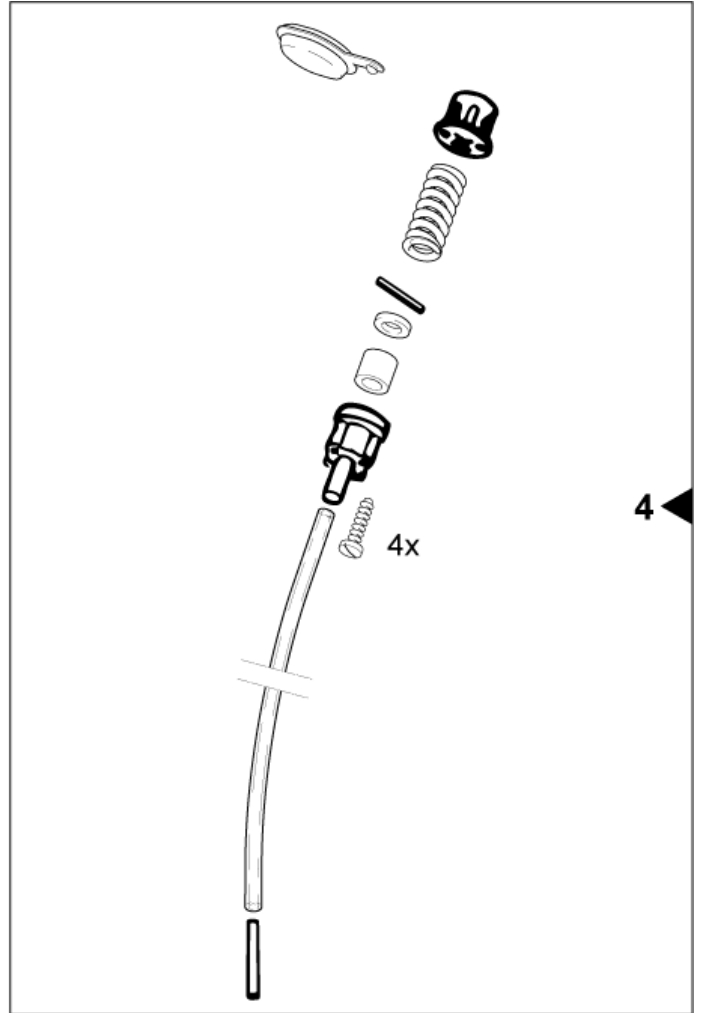
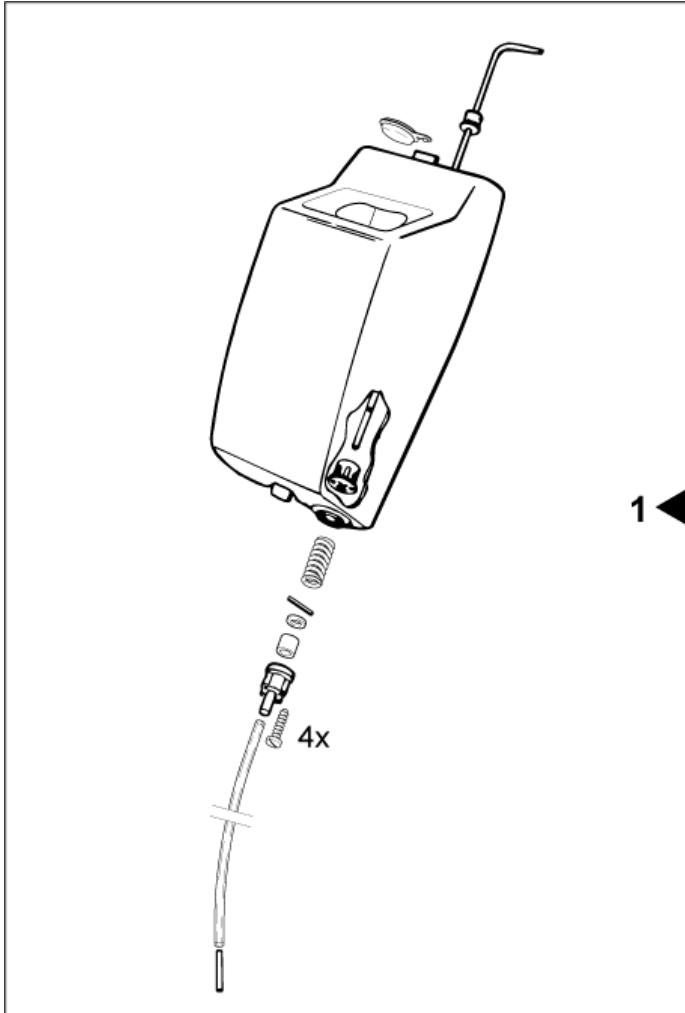
Solution tank

SD 43-165

27-02-2011

Part List ID D7337

7



Solution tank

SD 43-165

27-02-2011

Part List ID

D7337

8

Pos	Part no.	Qty	Description	EAN
2	20696200	1	SOLUTION TANK SD/SDM	5715492031
3	20696300	1	OPERATING HANDLE SD/SDM	5715492031
4	20703500	1	SOLUTION TANK ACC. SET	5715492026
5	20703600	1	PLASTIC HOSE FOR SD/SDM/ SDS	5715492026

Sprayer

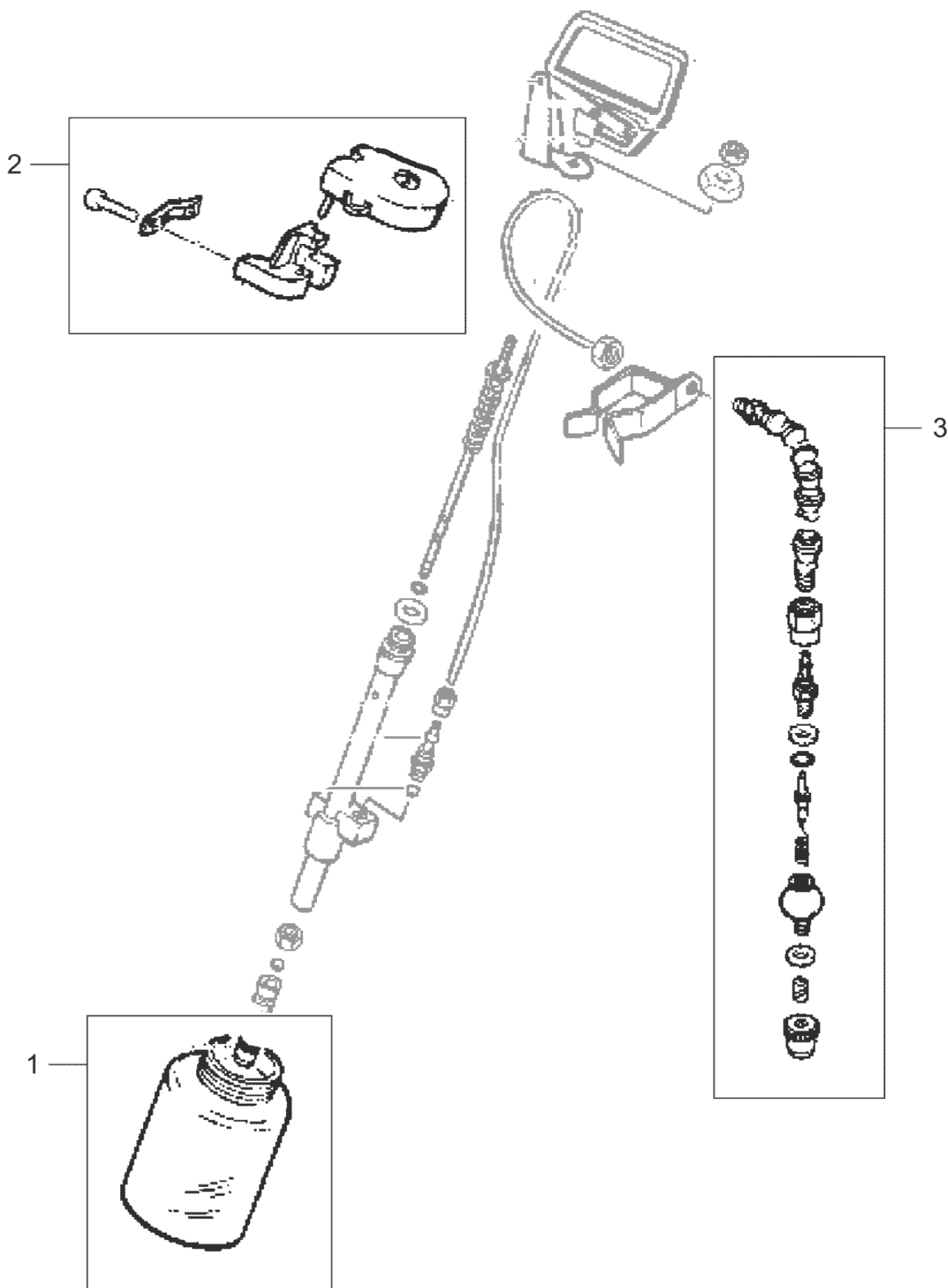
SD 43-165

27-02-2011

Part List ID

D7339

9



Sprayer

SD 43-165

27-02-2011

Part List ID D7339

10

Pos	Part no.	Qty	Description	EAN
1	20708200	1	SPRAY BOTTLE FOR SPRAYER	
2	20708220	1	HOLDER F. SPRAYER CPL KIT	
3	20708210	1	SPRAYER HOSE CPL KIT	

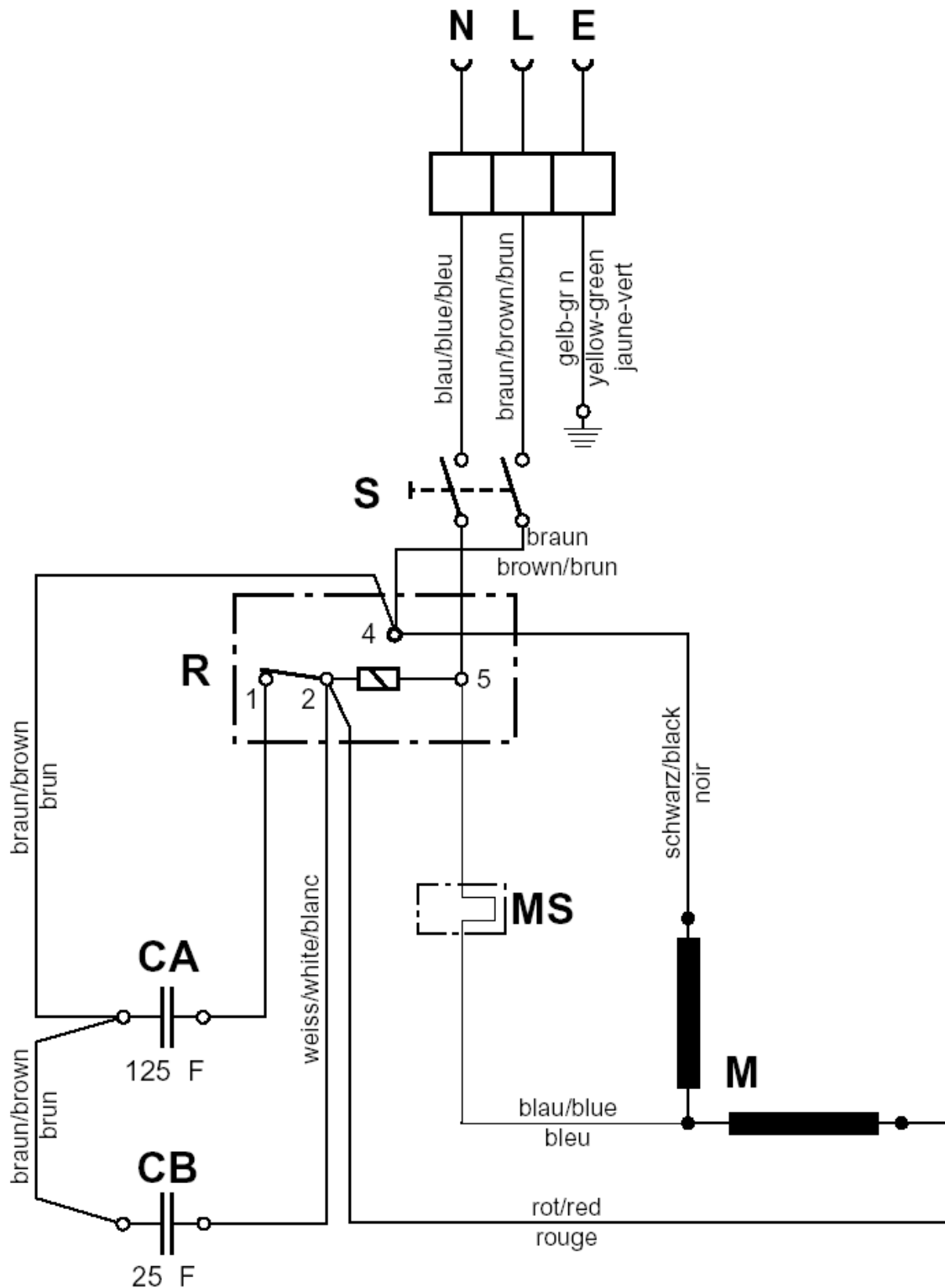
Electrical diagram

SD 43-165

27-02-2011

Part List ID
D73310

11



- S = Schalter Buerstmotor / Tumbler switch for motor / Interrupteur pour moteur
- R = Startrelais / Relais / Relais de démarrage
- CA = Anlaufkondensator 125 F / Capacitor 125 F / Capaciteur 125 F
- CB = Betriebskondensator 25 F / Capacitor 25 F / Capaciteur 25 F
- M = Motor / Motor / Moteur
- MS = Motorschutzschalter

Electrical diagram

SD 43-165

27-02-2011

Part List ID D73310

12