

SDM 43-450

Model:
SDM 43-450



Part List English

26-10-2014

Table of Contents

SDM 43-450

Base part	3
Handle	5
Solution tank	7
Sprayer	9
Vac unit 1	11
Vac unit 2	13
Vac unit 3	15
Electrical diagram	17

Base part

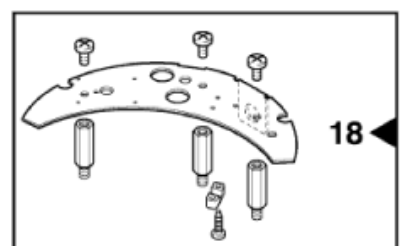
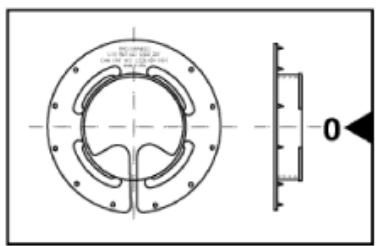
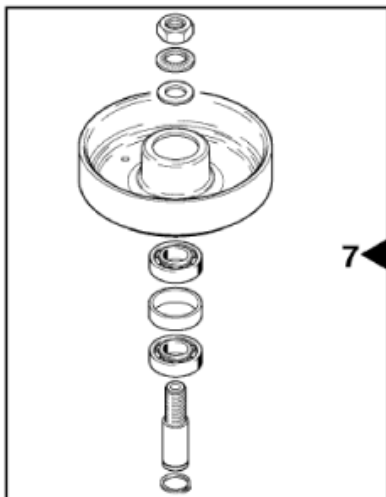
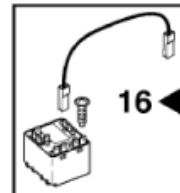
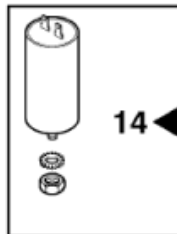
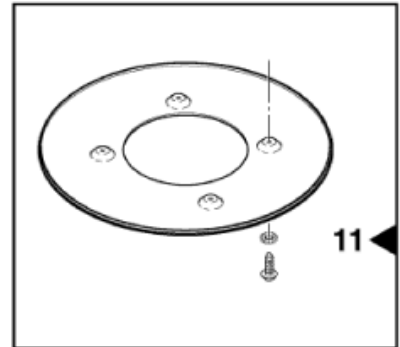
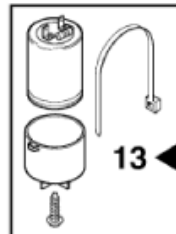
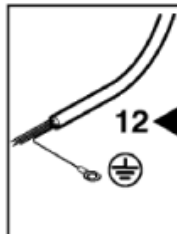
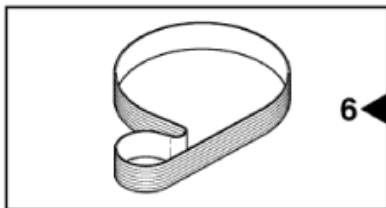
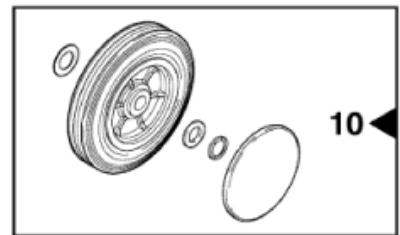
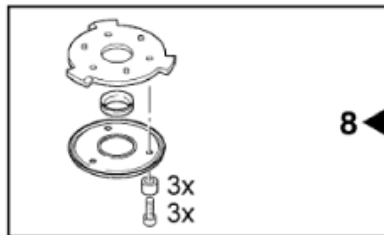
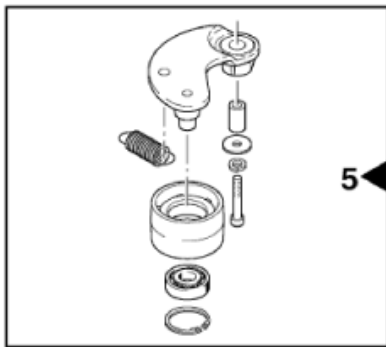
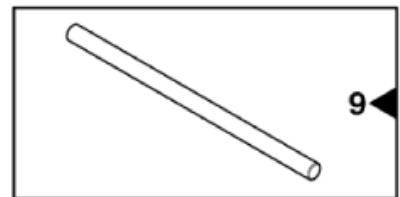
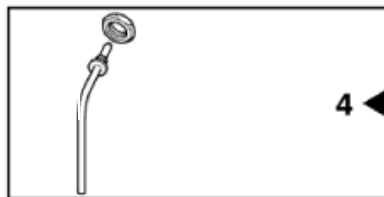
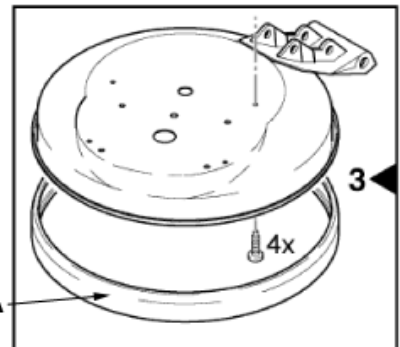
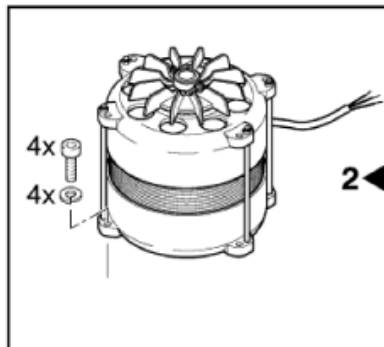
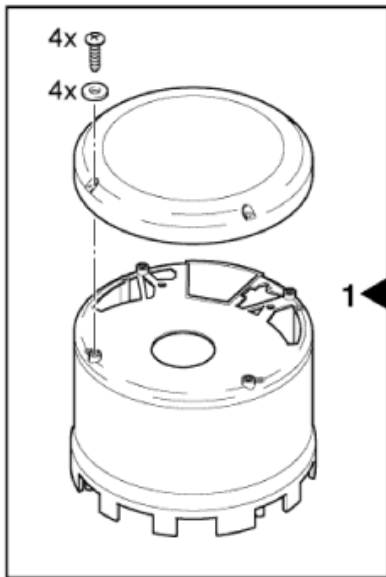
SDM 43-450

26-10-2014

Part List ID

D8633

3



Base part

SDM 43-450

26-10-2014

Part List ID
D8633

4

Pos	Part no.	Qty	Description
0	303000093	1	PAD LOCK DEVICE
0	303000364	1	PAD LOCK DEVICE
1	20696700	1	MOTOR HOUSING FOR SDM 43
2	20698801	1	MOTOR COMPLETE 230AT 50HZ
3	20696900	1	LOWER HOUSING FOR SDM 43 SERIES
4	20697000	1	SOLUTION HOSE
5	20697100	1	BELT TENSION PULLEY FOR SDM 43 SERIES
6	20700700	1	BELT, SDS 424
7	20697200	1	DRIVE PULLEY COMPLETE FOR
8	20694500	1	BRUSH SUPPORT FOR SD/SDM
9	20697400	1	WHEEL AXE FOR SDM 43 SERIES
10	20697500	1	SINGLE WHEEL COMPLETE FOR
11	20697600	1	BUTTON PLATE FOR SDM 43 SERIES
12	20697700	1	WIRING FOR MOTOR FOR SDM
13	20697800	1	CAPACITOR 125UF FOR SDM
14	20697900	1	CAPACITOR 25UF FOR SDM
16	20698000	1	RELAIS FOR SDM 43-180-450
18	20698100	1	REINFORCEMENT PIECE FOR
3A	303000282	1	GUARD RING D436

Handle

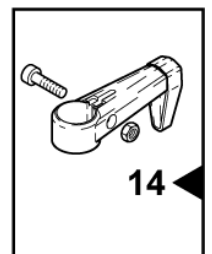
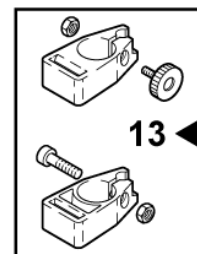
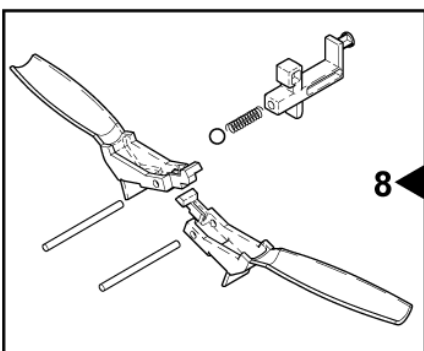
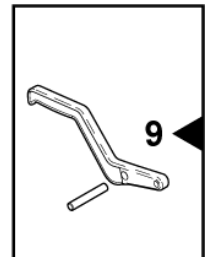
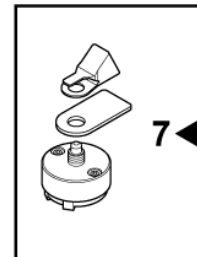
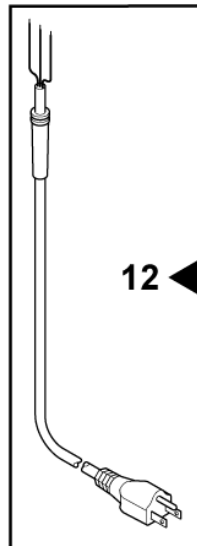
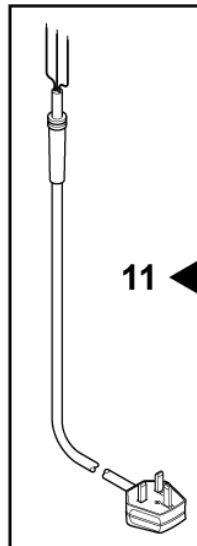
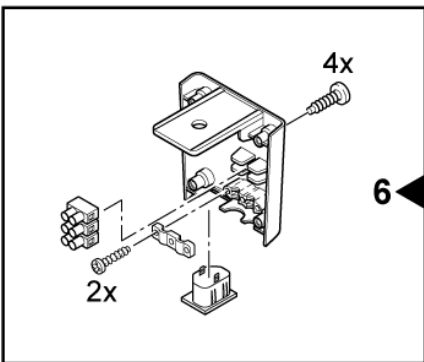
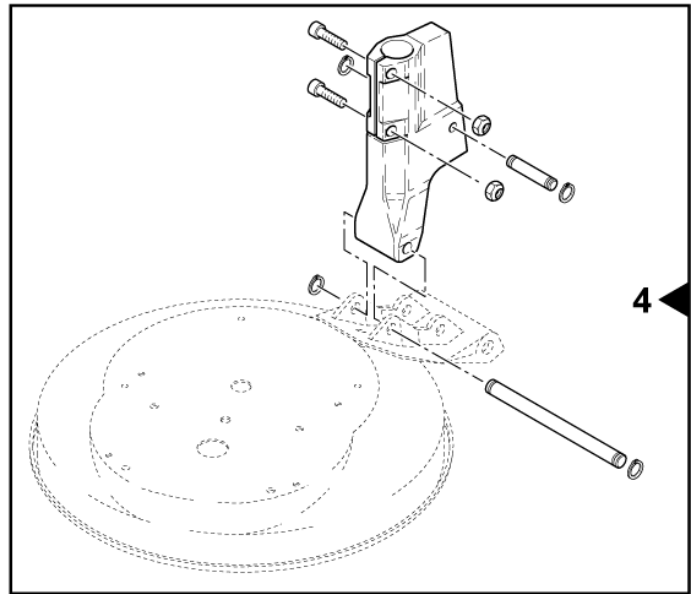
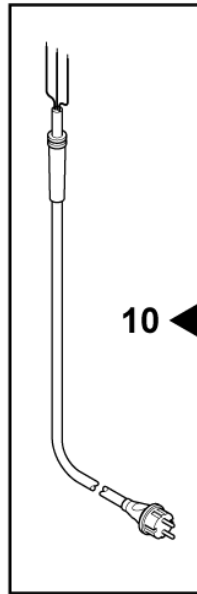
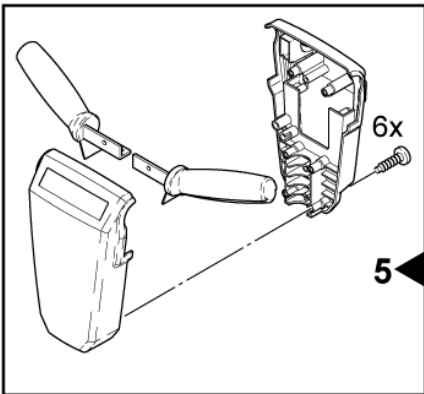
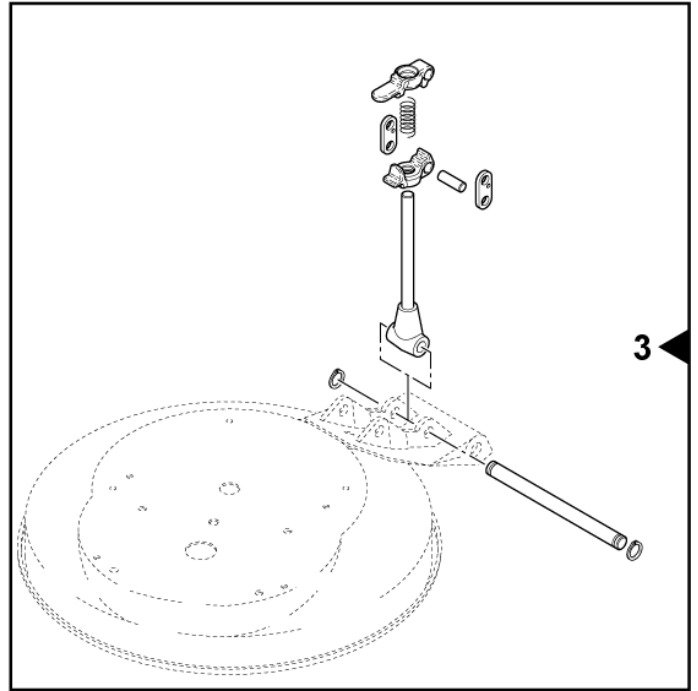
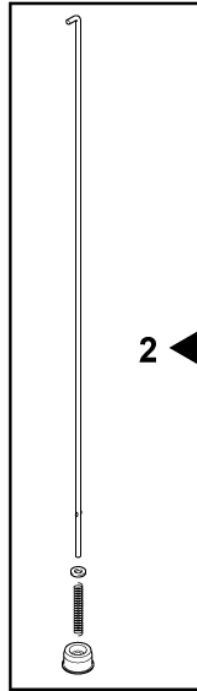
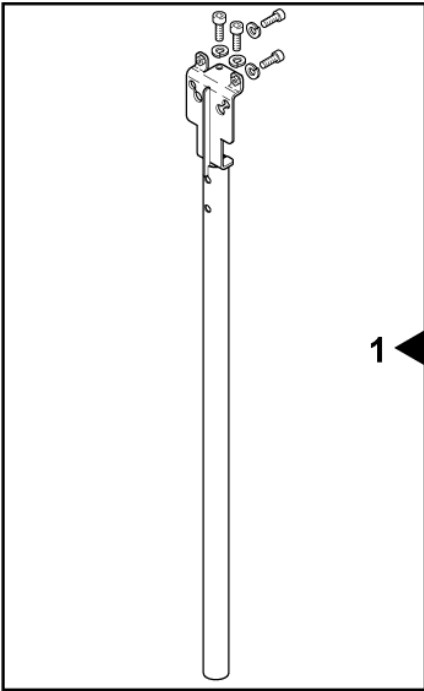
SDM 43-450

26-10-2014

Part List ID

D8635

5



Handle

SDM 43-450

26-10-2014

Part List ID
D8635

6

Pos	Part no.	Qty	Description
1	20695300	1	SHAFT TUBE FOR SD/SDM SERIES
2	20695400	1	ROD FOR SD/SDM SERIES
3	20695500	1	SHAFT ADJUSTER COMPLETE FOR SD SERIES
4	20698300	1	SHAFT ADJUSTMENT UNIT
5	20698400	1	TOP PART FOR SDM SERIES
6	20702500	1	CONNECTION BOX CPL. KIT, SDS 424
7	20702600	1	SWITCH CPL. KIT, SDS 424
8	20702710	1	HANDLE LEVER SOFT CPL. FOR SD/SDM SERIES
9	20698500	1	SHAFT ADJUSTMENT LEVER
10	20695800	1	CABLE 110-230V/50-60HZ
11	20695900	1	CABLE 110-230V/50-60HZ UK
12	20696000	1	CABLE 110-230V/50-60HZ BLACK US
13	20703000	1	SOLUTION TANK HOLDER
14	20703100	1	CABLE HOOK, SDS 424

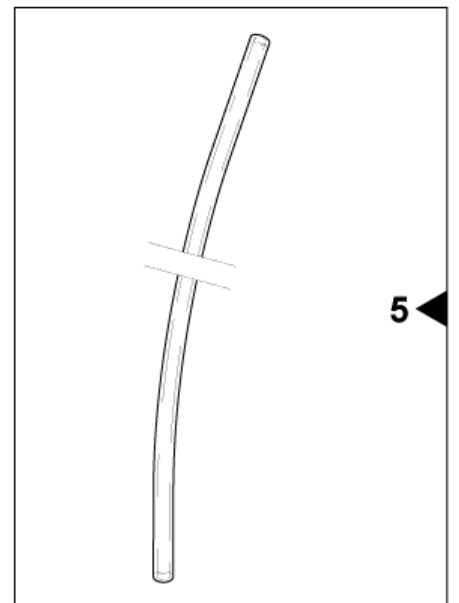
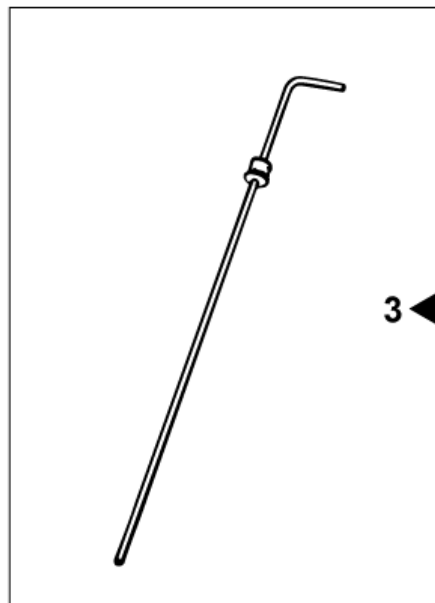
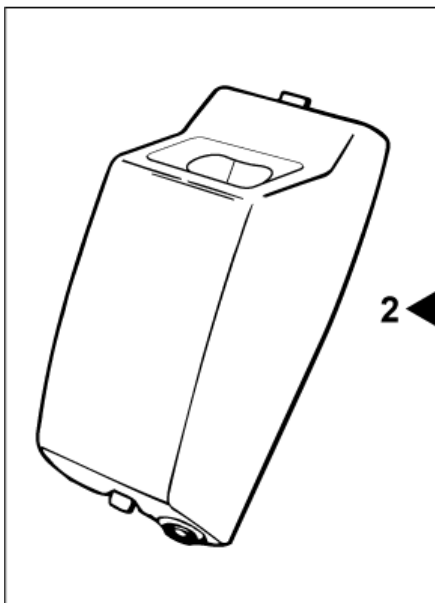
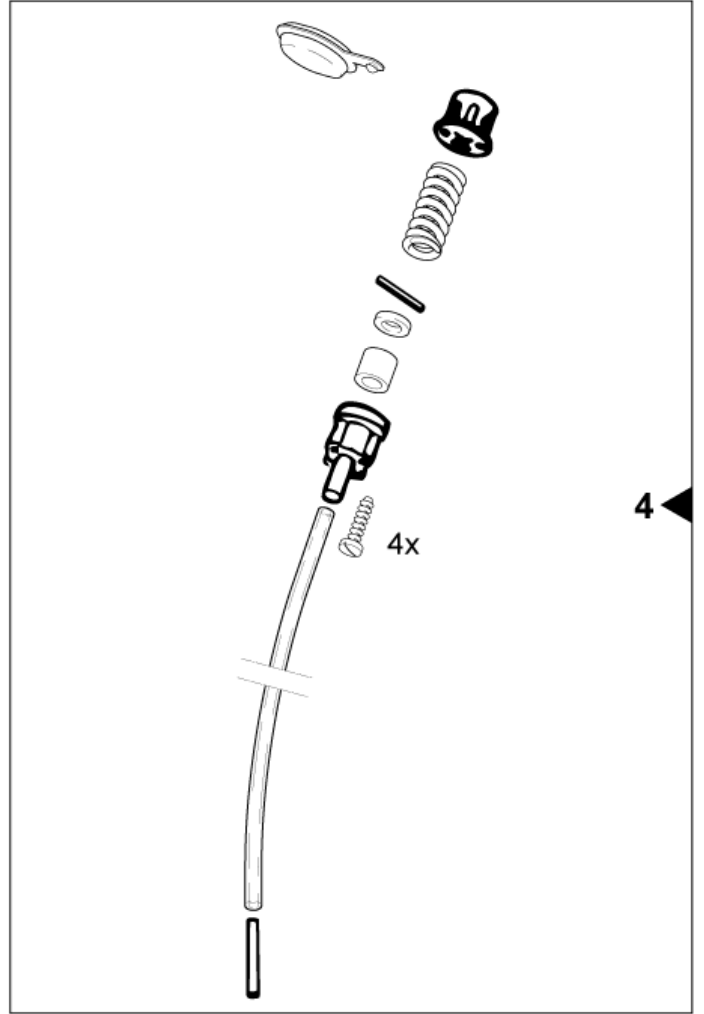
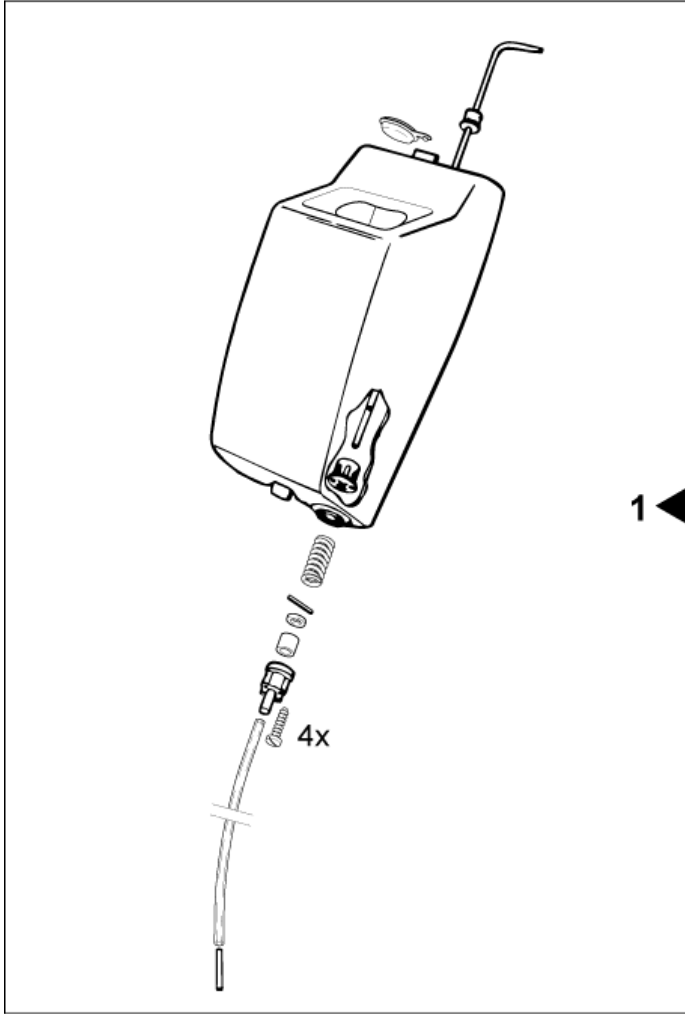
Solution tank

SDM 43-450

26-10-2014

Part List ID D8637

7



Solution tank

SDM 43-450

26-10-2014

Part List ID

D8637

8

Pos	Part no.	Qty	Description
2	20696200	1	SOLUTION TANK SD/SDM
3	20696300	1	OPERATING HANDLE SD/SDM SERIES
4	20703500	1	SOLUTION TANK ACC. SET KIT, SDS 424
5	20703600	1	PLASTIC HOSE, SDS 424

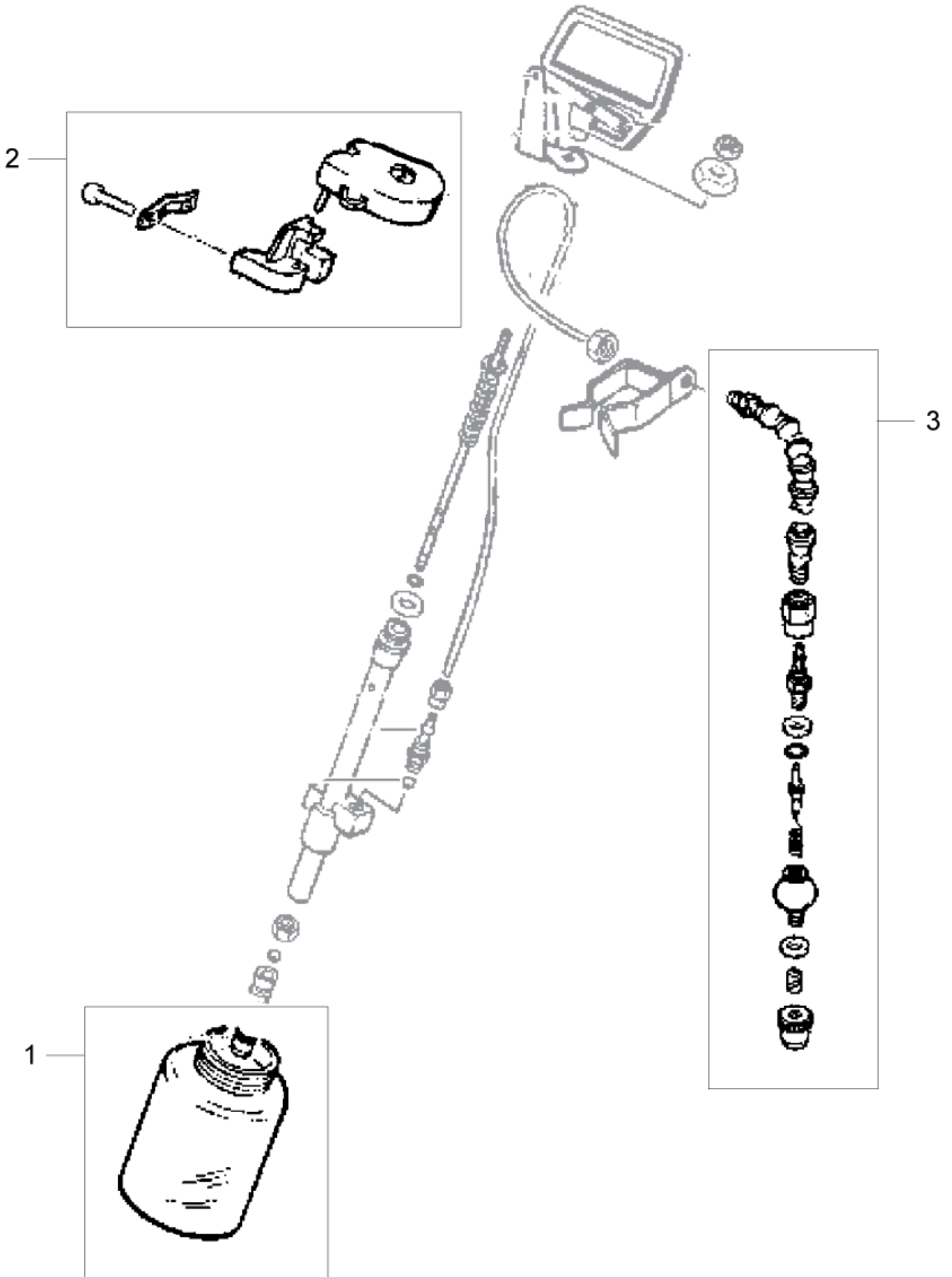
Sprayer

SDM 43-450

26-10-2014

Part List ID
D8639

9



Sprayer

SDM 43-450

26-10-2014

Part List ID
D8639

10

Pos	Part no.	Qty	Description
1	20708200	1	SPRAY BOTTLE FOR SPRAYER
2	20708220	1	HOLDER F. SPRAYER CPL KIT
3	20708210	1	SPRAYER HOSE CPL KIT

Vac unit 1

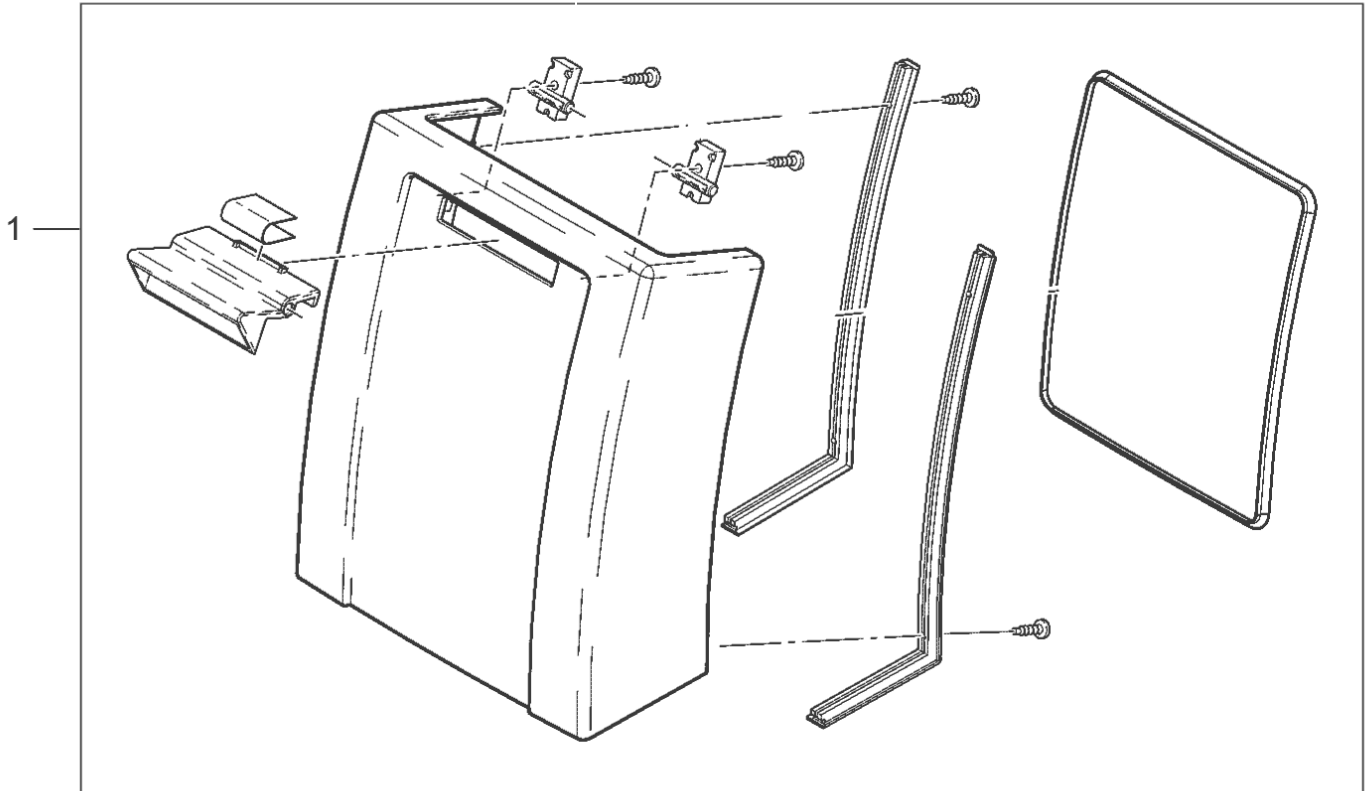
SDM 43-450

26-10-2014

Part List ID

D86311

11



Vac unit 1

SDM 43-450

26-10-2014

Part List ID
D86311

12

Pos	Part no.	Qty	Description
1	20708110	1	DUST COVER KIT

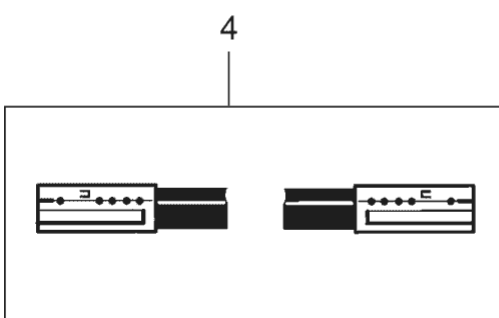
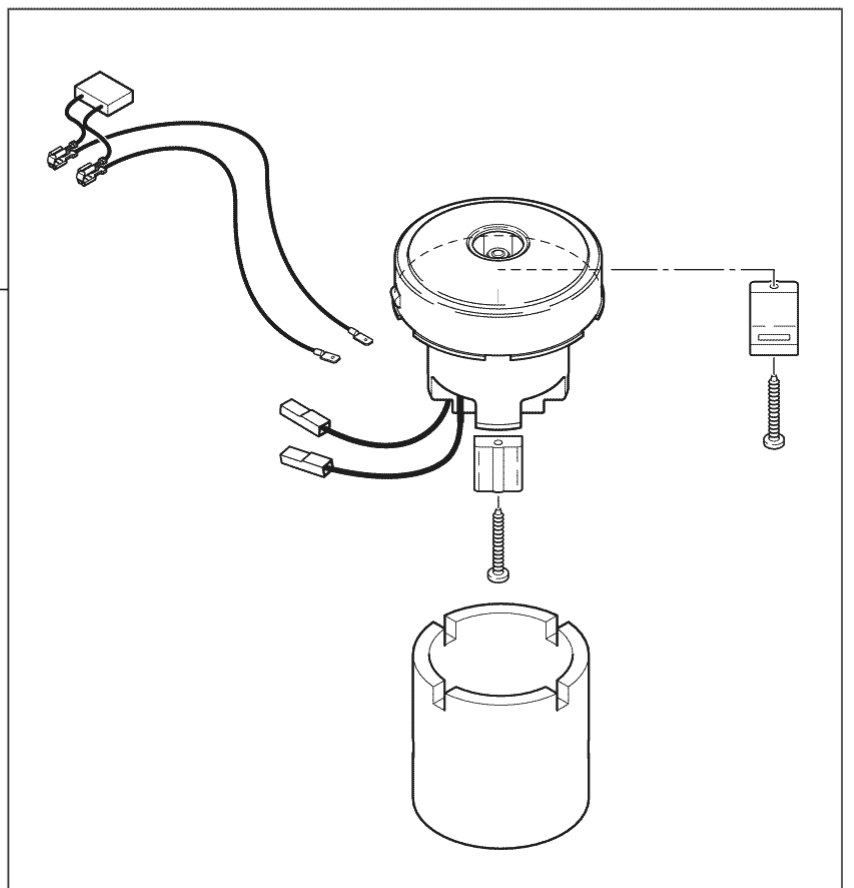
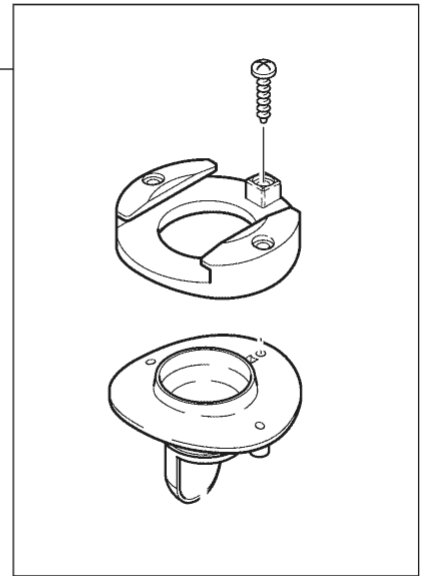
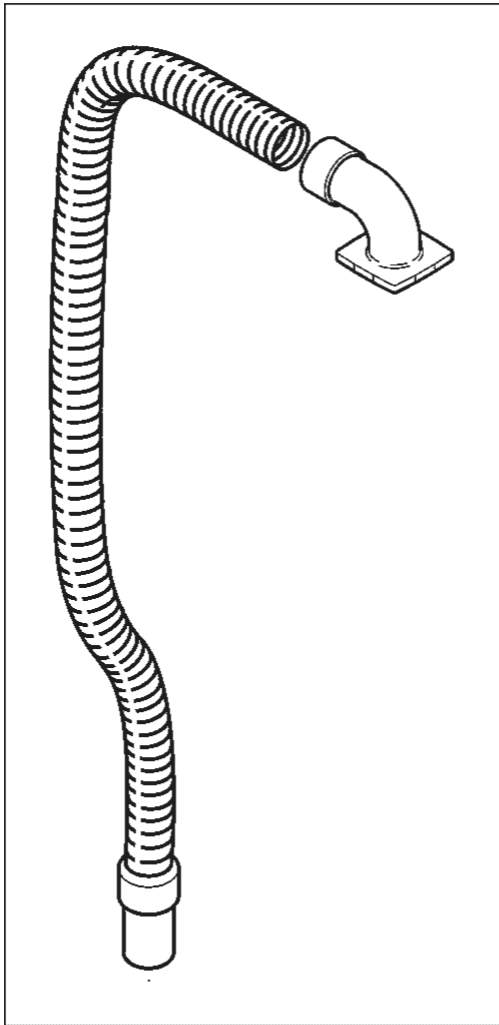
Vac unit 2

SDM 43-450

26-10-2014

Part List ID
D86313

13



Vac unit 2

SDM 43-450

26-10-2014

Part List ID
D86313

14

Pos	Part no.	Qty	Description
1	20708100	1	suction hose kit cpl
2	20708190	1	TANK CONNECTION W SAFFLE
3	20708120	1	MOTOR CPL KIT
4	20708130	1	CARBON BRUSHES KIT

Vac unit 3

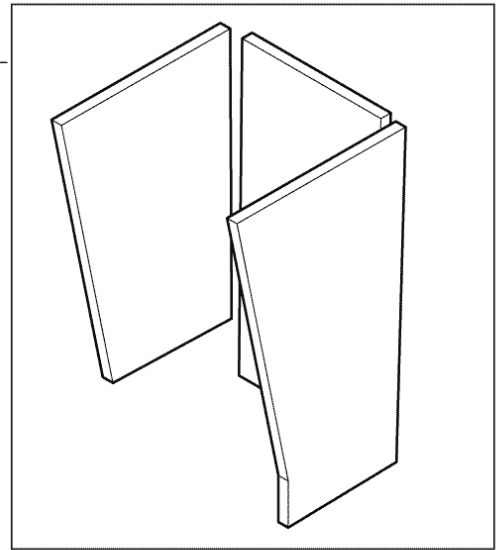
SDM 43-450

26-10-2014

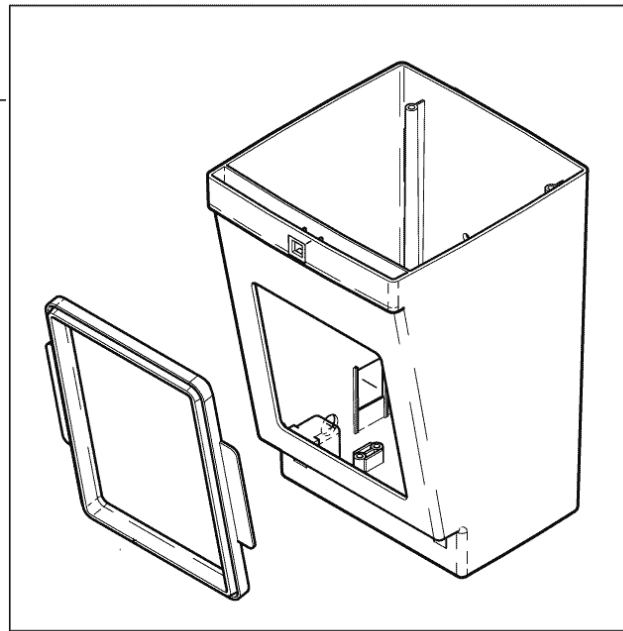
Part List ID
D86315

15

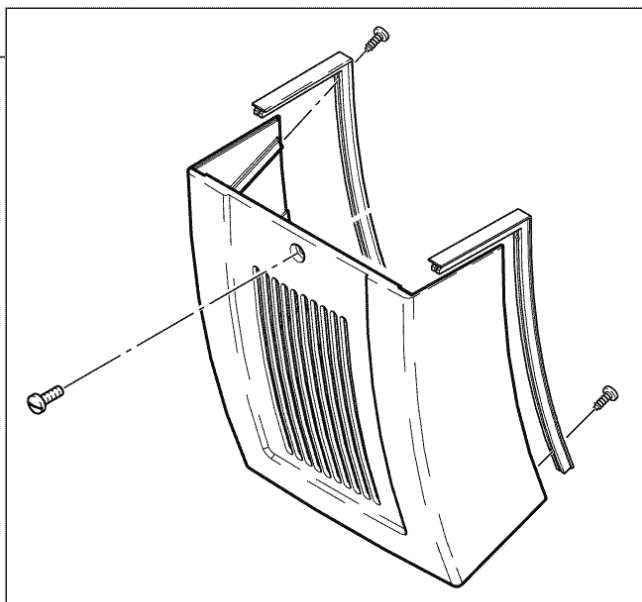
1



2



3



Vac unit 3

SDM 43-450

26-10-2014

Part List ID
D86315

16

Pos	Part no.	Qty	Description
1	20708160	1	NOISE ABSORBING MATERIAL
2	20708140	1	LOWER COVER W FILTER SEAL
3	20708150	1	FILTER COVER PRE-ASSEM

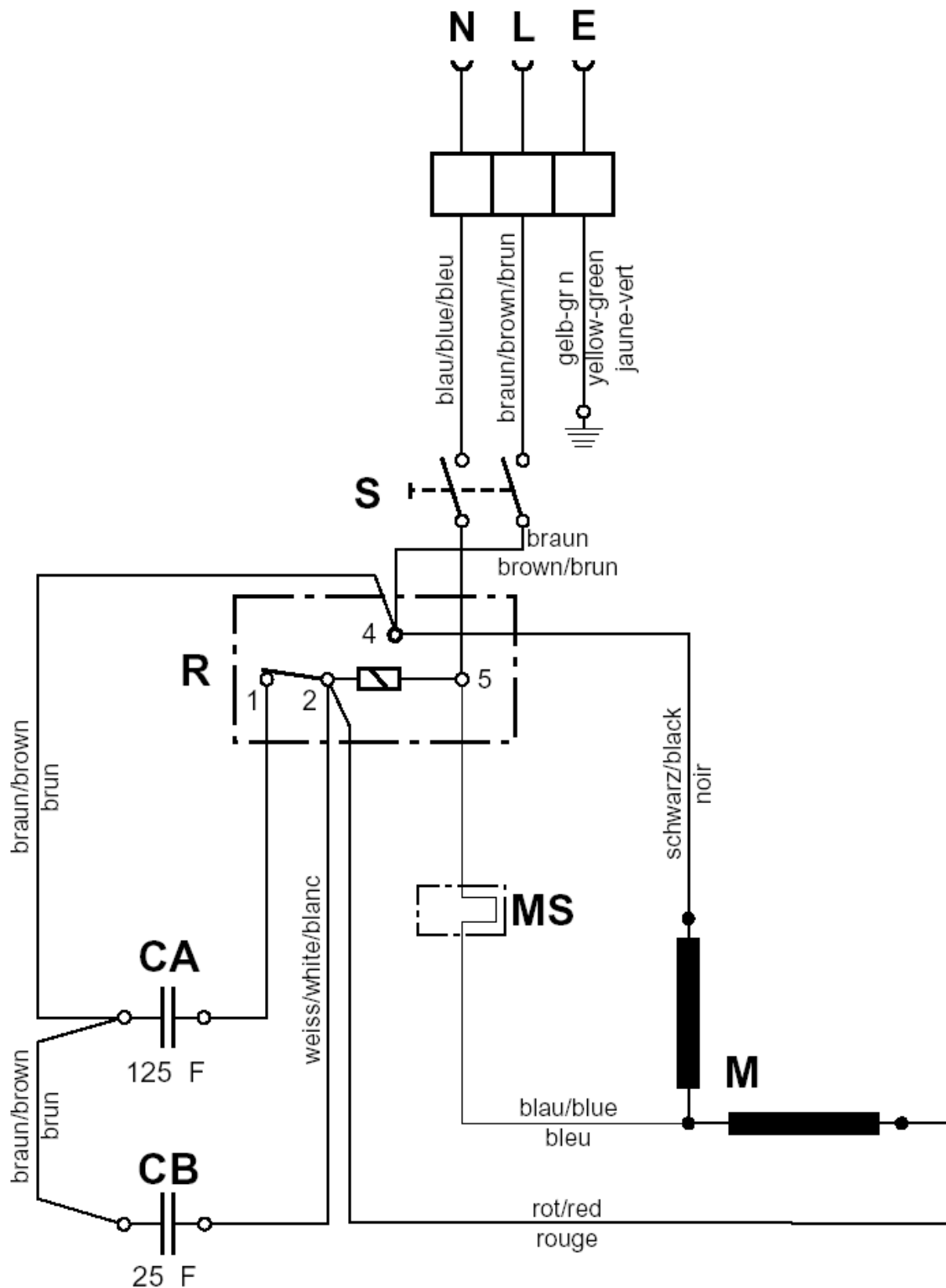
Electrical diagram

SDM 43-450

26-10-2014

Part List ID
D86316

17



- S = Schalter Buerstmotor / Tumbler switch for motor / Interrupteur pour moteur
- R = Startrelais / Relais / Relais de démarrage
- CA = Anlaufkondensator 125 F / Capacitor 125 F / Capaciteur 125 F
- CB = Betriebskondensator 25 F / Capacitor 25 F / Capaciteur 25 F
- M = Motor / Motor / Moteur
- MS = Motorschutzschalter

Electrical diagram

SDM 43-450

26-10-2014

Part List ID
D86316

18