



\$145c
\$145
\$145T
\$152
\$152T

CATALOGO PARTI DI RICAMBIO
PARTS MANUAL
MANUEL DES PIECES DE RECHANGE
ERSATZTEILKATALOG
MANUEL DE REPUESTOS



DEC spa - Via Omero,89-41100 modena - Italy
tel. +39 059373222 - fax +39 059 374199
www.dec-modena.com - info@dec-modena.com





INDICE
 INDEX
 INDEXE
 VERZEICHNIS
 INDICE



PAG.3 45c
 PAG.4 45-45T
 PAG.5 52-52T



PAG.6



PAG.7



PAG.8 45c
 PAG.9 45-52
 PAG.10 45T-52T



PAG.12-13



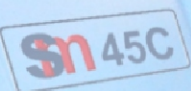
PAG.14

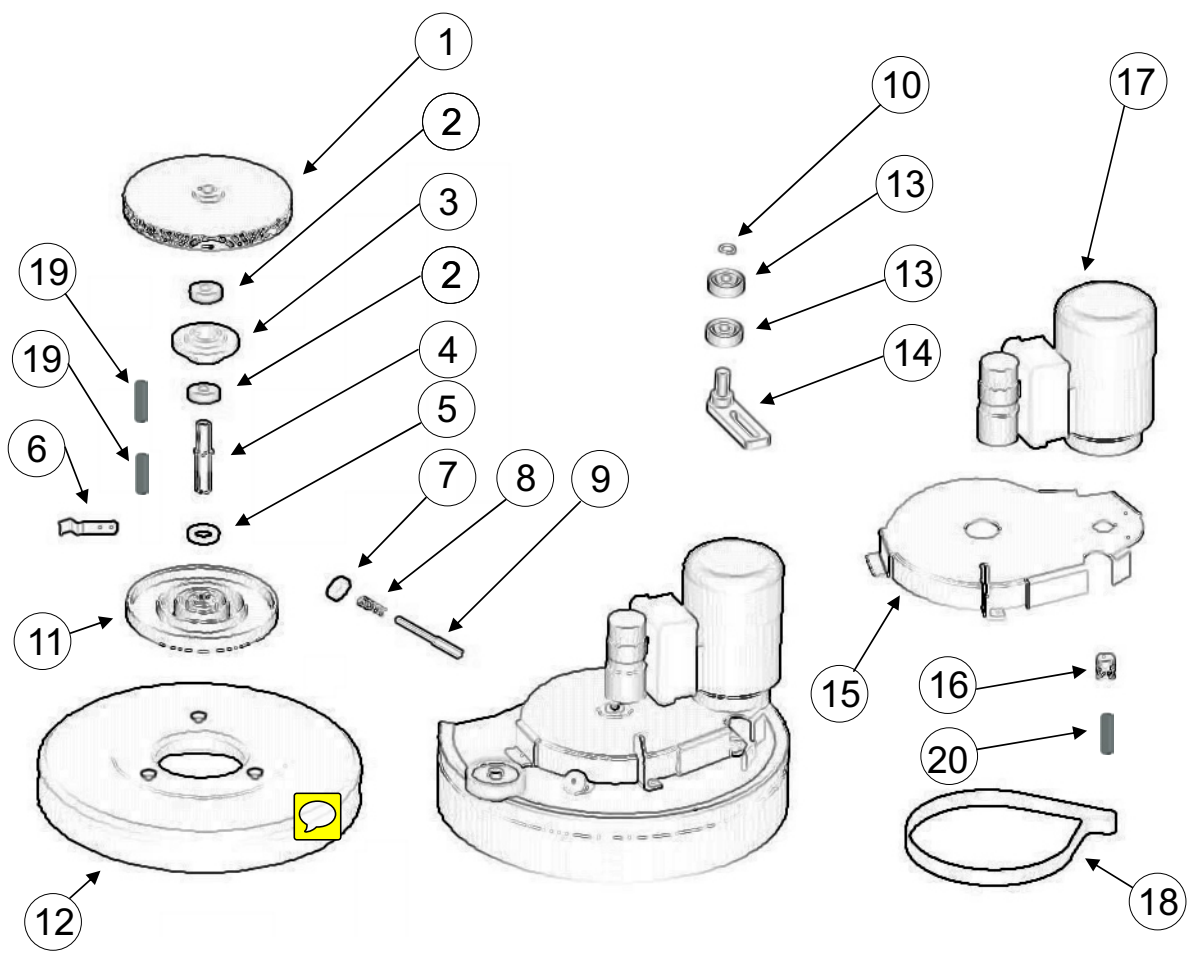


PAG.15-16

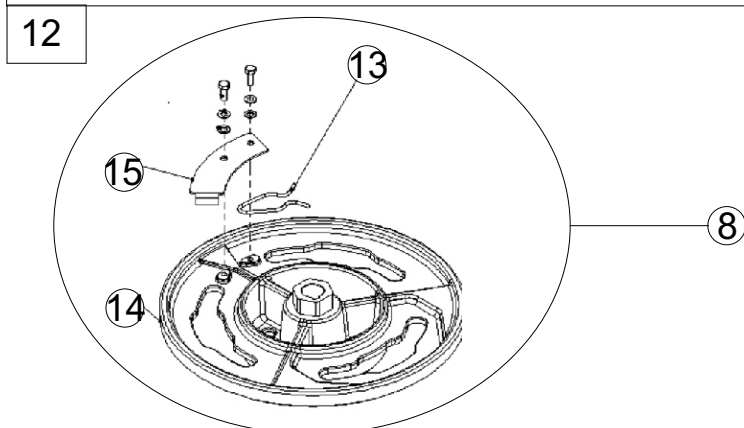
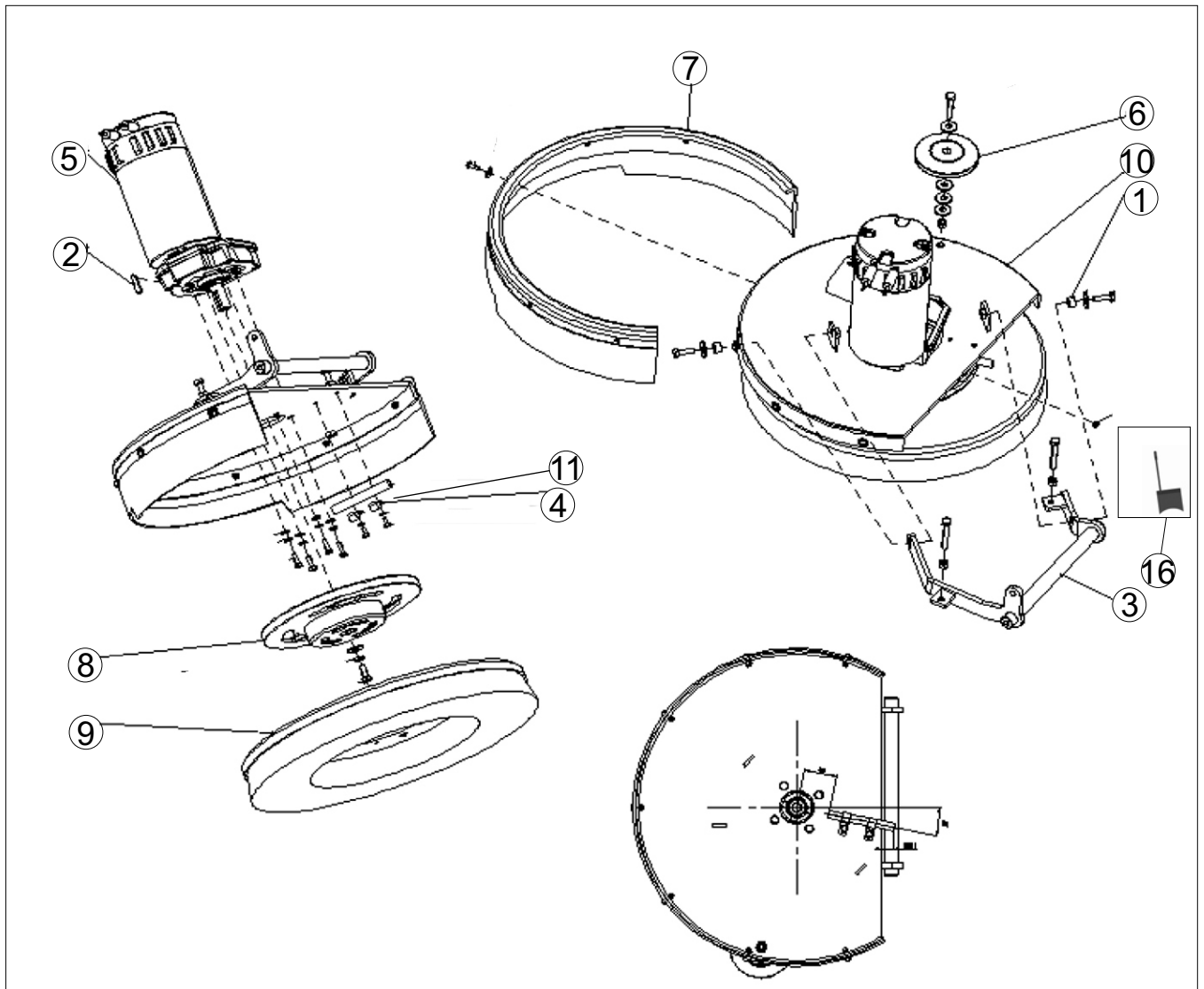


PAG.17-18



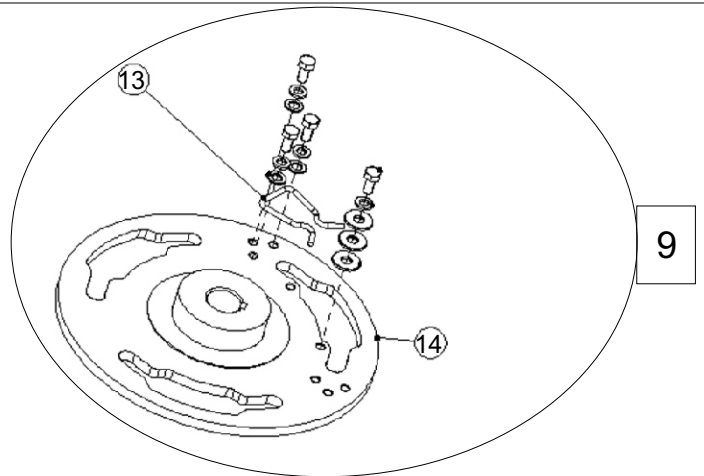
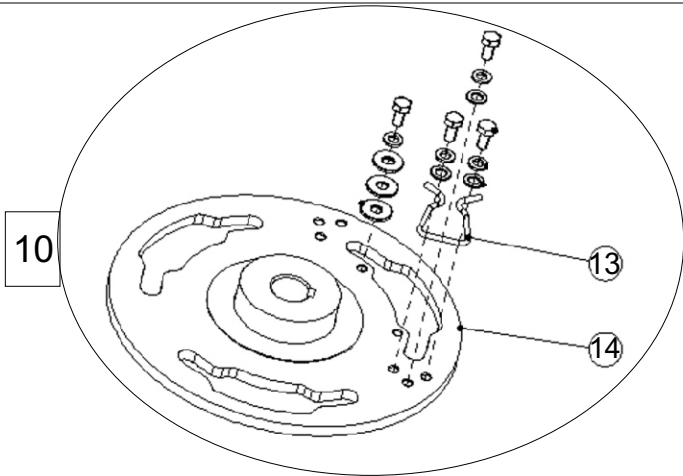
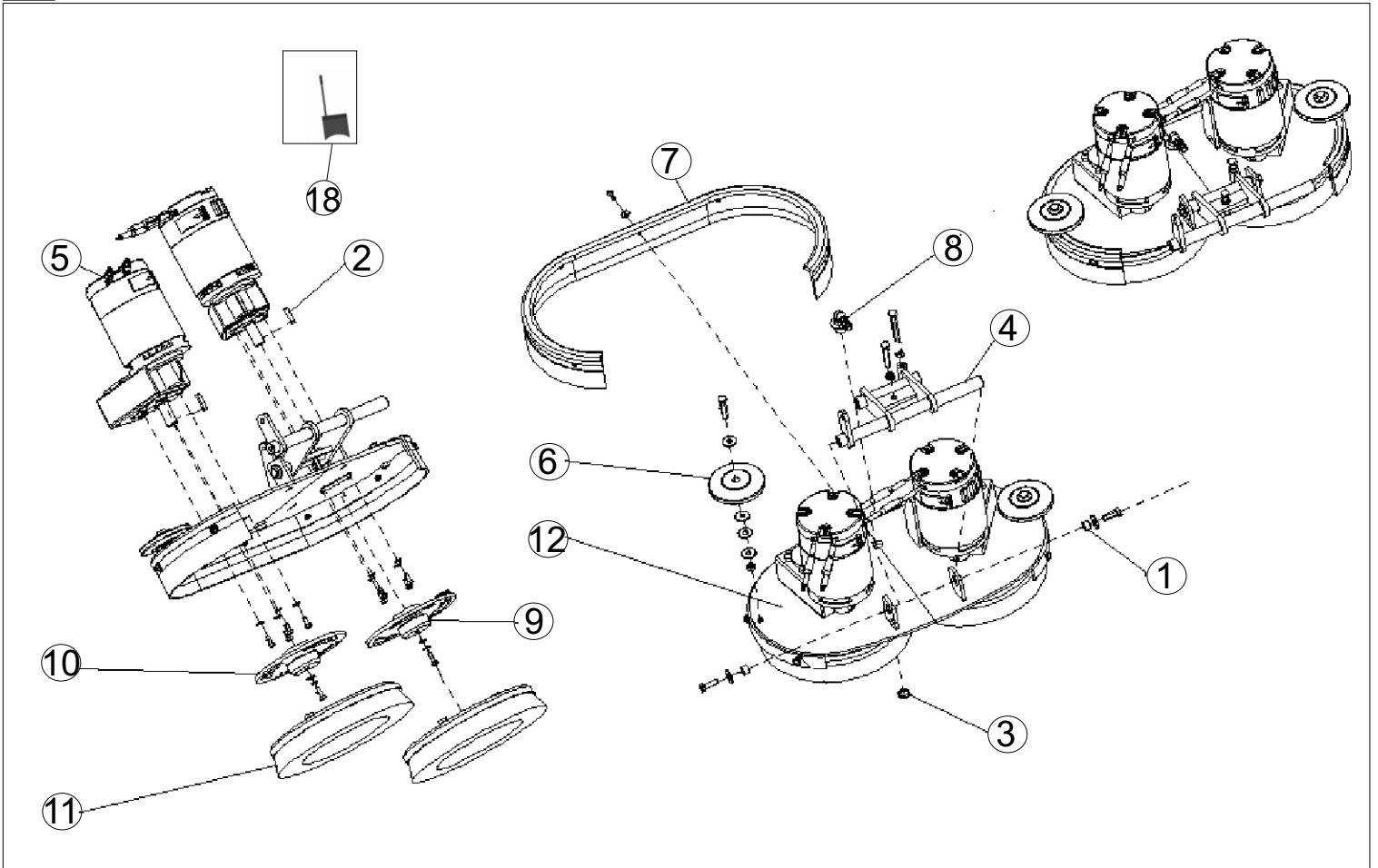


Ref	Qtà	Code	Descrizione	Description	Descripcion	Benennung	Denomination
1	1	40.08.05.002	PULEGGIA	PULLEY	POULIE	RIEMENSCHLEIBE	POLEA
2	2	15.01.07.002	CUSCINETTO	BEARING	ROULEMENT	LAGER	COJINETTE
3	1	40.02.05.144	SUPPORTO	SUPPORT	SUPPORT	HALTERUNG	SOPORTE
4	1	40.02.05.145	ALBERO	AXLE	AXE	ACHSE	EJE
5	1	35.19.03.004	CORTECO	GASKET	JOINT	DICHTUNG	GUARNICION
6	1	40.04.02.018	MOLLA	SPRING	RESSORT	FEDER	RESORTE
7	1	40.02.05.153	MANOPOLA	KNOB	POIGNE	DREHGRIF	EMPUFIADURA
8	1	40.04.02.051	MOLLA	SPRING	RESSORT	FEDER	RESORTE
9	1	40.20.02.006	PERNO	AXLE	AXE	STIFT	EJE
10	1	35.20.01.006	SEEGER	SEEGER	SEEGER	SEEGER	SEEGER
11	1	58.01.04.052	PULEGGIA	PULLEY	POULIE	RIEMENSCHLEIBE	POLEA
12	1	58.01.04.002	SPAZZ.NORMALE	STD BRUSH	STD BROSE	STD BUERSTE	STD CEPILLO
12a	1	58.01.04.007	SPAZZ..PPN 0,30	PPN 0,3 BRUSH	BROSSE PPN 0,3	BUERSTE PPN 0,3	CEPILLO PPN 0,3
12b	1	58.01.04.006	SPAZZ. TYNEX	TINEX BRUSH	BROSSE ENTYNEX	BUERSTE EN TINEX	CEPILLO EN TYNEX
12c	1	58.01.04.008	TRASCINATORE	PAD HOLDER	PORTE PAD	SCHLEPPER	ARRASTRADOR
13	2	15.01.07.017	CUSCINETTO	BEARING	ROULEMENT	LAGER	COJINETTE
14	1	55.01.01.072	TENDICINGHIA	BELT SUPPORT	SUPP.POUR COURROIE	HALTER RIEMEN	SOP.POR CORREA
15	1	55.01.01.071	SUPPORTO	SUPPORT	SUPPORT	HALTERUNG	SOPORTE
16	1	40.02.05.158	PULEGGIA	PULLEY	POULIE	RIEMENSCHLEIBE	POLEA
17	1	10.01.01.006	MOTORE	MOTOR	MOTEUR	MOTOR	MOTOR
18	1	15.01.05.002	CINGHIA	BELT	COURROIE	RIEMEN	CORREA
19	2	35.06.01.002	CHIAVETTA	KEY	CLAVETTE	KEIL	CLAVIJA
20	1	35.06.01.003	CHIAVETTA	KEY	CLAVETTE	KEIL	CLAVIJA

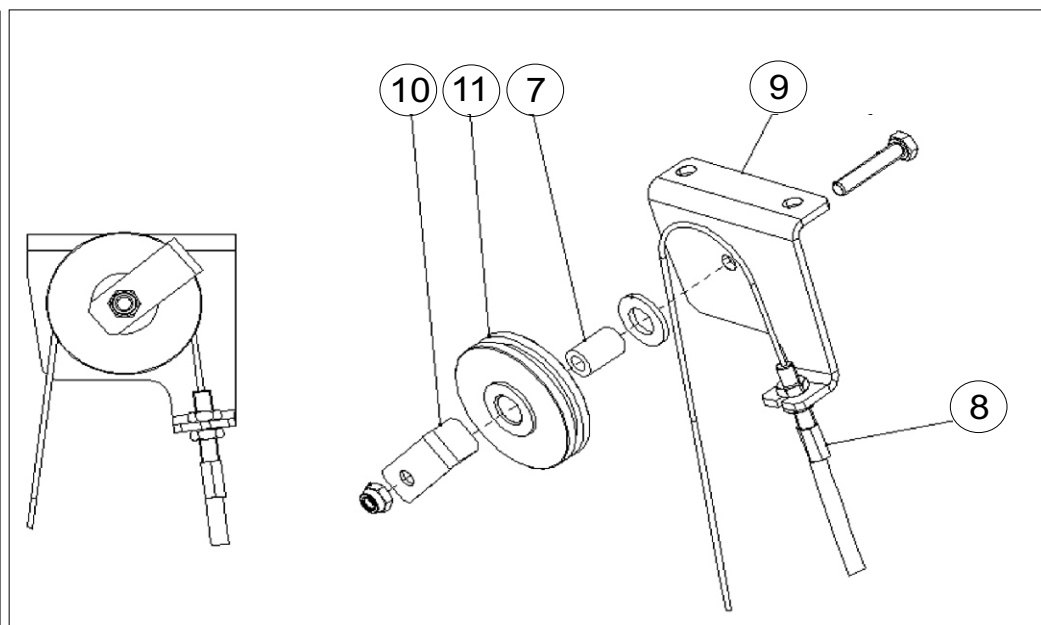
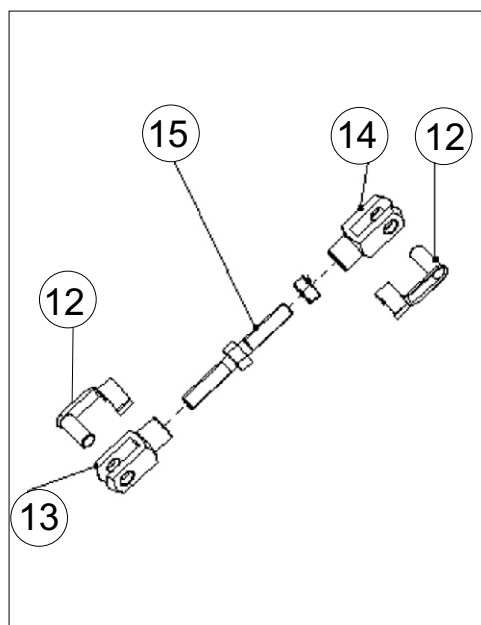
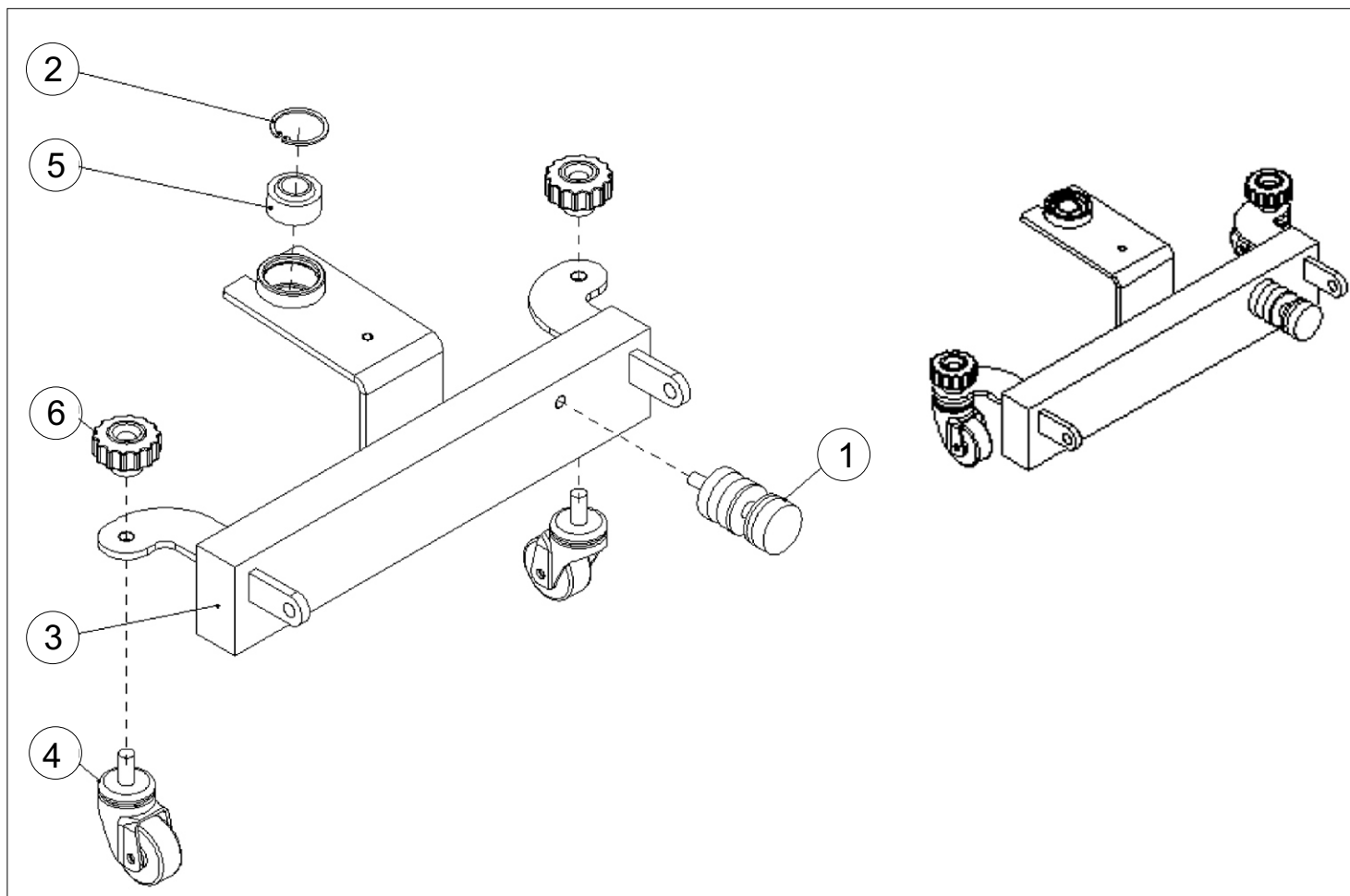


RIF	CODICE/CODE	n°	DESCRIZIONE	DESCRIPTION	DESIGNATION	BENENNING	DENOMINACIONES
1	40-09-01-008	2	BOCCOLA	BUSHING	BAGUE	BUCHSE	CASQUILLO
2	35-06-01-004	1	CHIAVETTA	BACKSTOP	CROCHET	BEGRENZUNG	DETENEDOR
3	55-01-01-262	1	FORCELLA	FORKS	FOURCHE	GABEL	HORQUILLA
4	35-93-01-001	2	GRAFFETTA	SUPPORT	SOUTIEN	HALTERUNG	SOPORTE
5	15-02-01-003	1	MOTORE	MOTOR	MOTEUR	MOTOR	MOTOR
6	20-01-09-007	1	PARACOLPI	BUMPER	BUTOIR	STOSSDÄMPFER	PARADHQUES
7	45-06-03-019	1	PARASCHIZZI	SPLASH GUARD	BAVETTE	SPRITZGUMMI	PARASALPICADURAS
8	58-01-04-052	1	ROTORE COMPLETO	PULLEY COMPLETE	PULIE COMPLET	RIEMENSHEIBE KOMPLETT	POLEA COMPLETO
9	58-01-04-002	1	SPAZZOLA	BRUSH	BROSSE	BUERSTEPP	CEPILLO
10	55-01-01-261	1	TESTATA	SUPPORT	SOUTIEN	HALTERUNG	SOPORTE
11	40-09-01-011	1	TUBO	PIPE	TUBE	ROHR	TUBO
12	58-01-04-053	1	TESTATA COMPLETA	SUPPORT	SOUTIEN	HALTERUNG	SOPORTE
13	40-04-02-064	1	MOLLA	SPRING	RESSORT	FEDER	RESORTE
14	40-03-02-015	1	ROTORE	PULLEY	PULIE	RIEMENSHEIBE	POLEA
15	40-20-08-002	1	SGANCIO SPAZZOLA	BRUSH RELEASE	BROSSEZ LIBERATION	BRUSH RELEASE	LIBERACION DE CEPILLO
16	45-10-05-015	2	SPAZZOLE MOTORE	MOTOR BRUSH	CHARBON MOTEUR	KOHOBORSTE	ESCOBILLA MOTOR

15

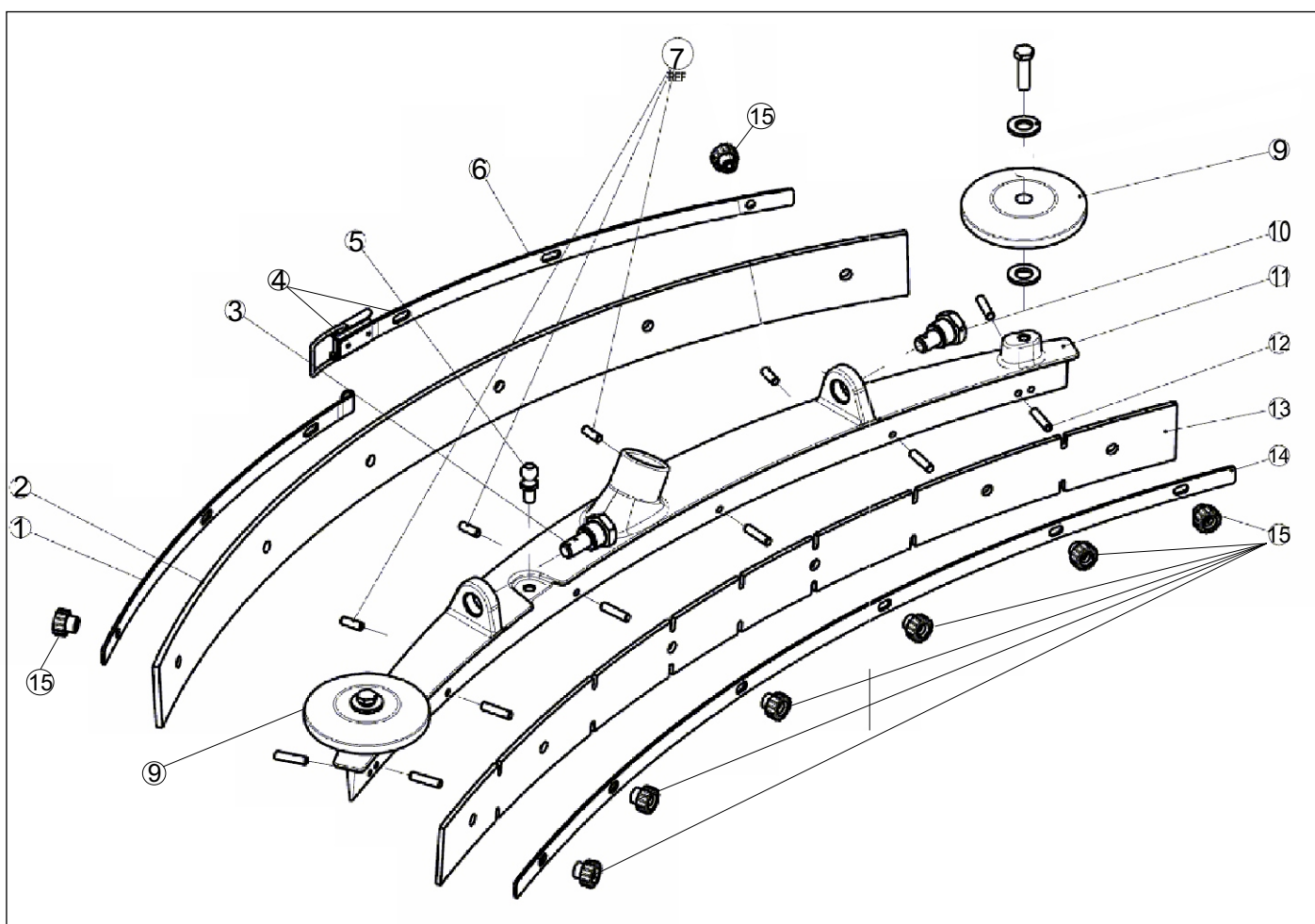
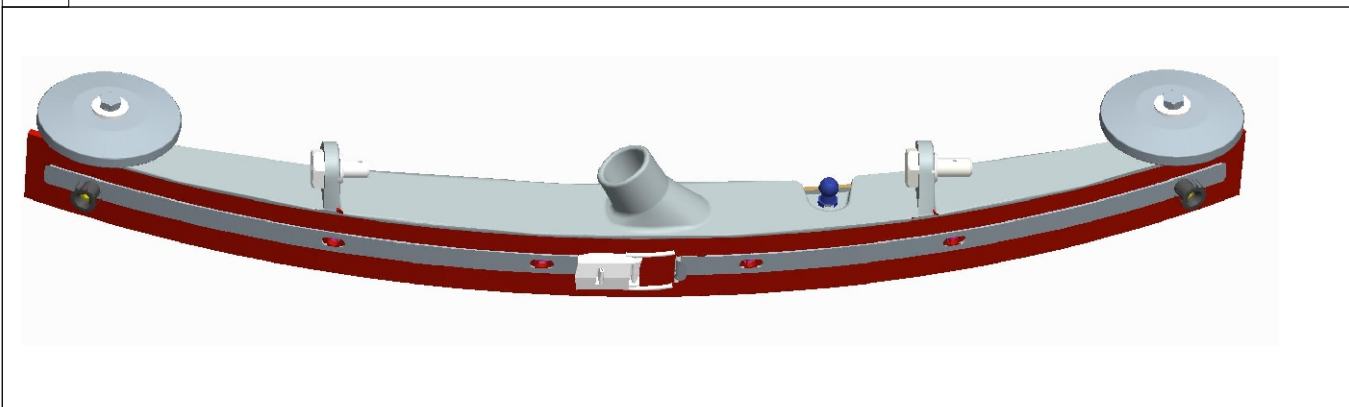


RIF	CODICE/CODE n°	DESCRIZIONE	DESCRIPTION	DESIGNATION	BENENNUNG	DE NOMINACIONES
1	40-09-01-008	2 BOCCOLA	BUSHING	BAGUE	BUCHSE	CASQUILLO
2	35-06-01-004	2 CHIAVETTA	BACKSTOP	CROCHET	BEGRENZUNG	DETENEDOR
3	35-60-02-001	1 DADO	NUT	ECROU	MUTTER	TUERCA
4	55-01-01-256	2 FORCELLA	FORKS	FOURCHE	GABEL	HORQUILLA
5	15-02-01-004	2 MOTORE	MOTOR	MOTEUR	MOTOR	MOTOR
6	20-09-01-007	2 PARACOLPI	BUMPER	BUTOIR	STOSSDÄMPFER	PARADHQUES
7	45-06-03-018	1 PARASCHIZZI	SPLASH GUARD	BAVETTE	SPRITZGUMMI	PARASALPICADURAS
8	20-01-0-8-017	1 RACCORDO	FITTING	RACCORD	VERSCHRAUBUNG	EMPALME
9	58-01-04-049	1 ROTORE DX COMPLETO	PULLEY RIGHT (COMPLETE)	PULIE DROIT (COMPLET)	RIEMENSHEIBE (RIGHT) (KOMPLETT)	POLEA DERECA (COMPLETO)
10	58-01-04-050	1 ROTORE SX COMPLETO	PULLEY LEFT (COMPLETE)	PULIE SENETRE (COMPLET)	RIEMENSHEIBE (LEFT) (KOMPLETT)	POLEA IZQUIERDA (COMPLETO)
11	58-01-04-028	2 SPAZZOLA	BRUSH	BROSSE	BUERSTEEP	CEPILLO
12	55-01-01-255	1 TESTATA	SUPPORT	SOUTIEN	HALTERUNG	SOPORTE
13	40-04-02-066	1 MOLLA	SPRING	RESSORT	FEDER	RESORTE
14	55-01-04-175	1 ROTORE	PULLEY	PULIE	RIEMENSHEIBE	POLEA (COMPLETO)
15	58-01-04-051	1 TESTATA COMPLETA	SUPPORT (COMPLETE)	SOUTIEN (COMPLET)	HALTERUNG (KOMPLETT)	SOPORTE
16	58-01-04-049	1 ROTORE DX COMPLETO	PULLEY RIGHT (COMPLETE)	PULIE DROIT (COMPLET)	RIEMENSHEIBE (RIGHT) (KOMPLETT)	POLEA DERECA (COMPLETO) (IZQUIERDA)
17	58-01-04-50	1 ROTORE SX COMPLETO	PULLEY	PULIE	RIEMENSHEIBE	POLEA
18	45-10-05-014	2 SPAZZOLE MOTORE	MOTOR BRUSH	CHARBON MOTEUR	KOHOEBORSTE	ESCOBILLA MOTOR

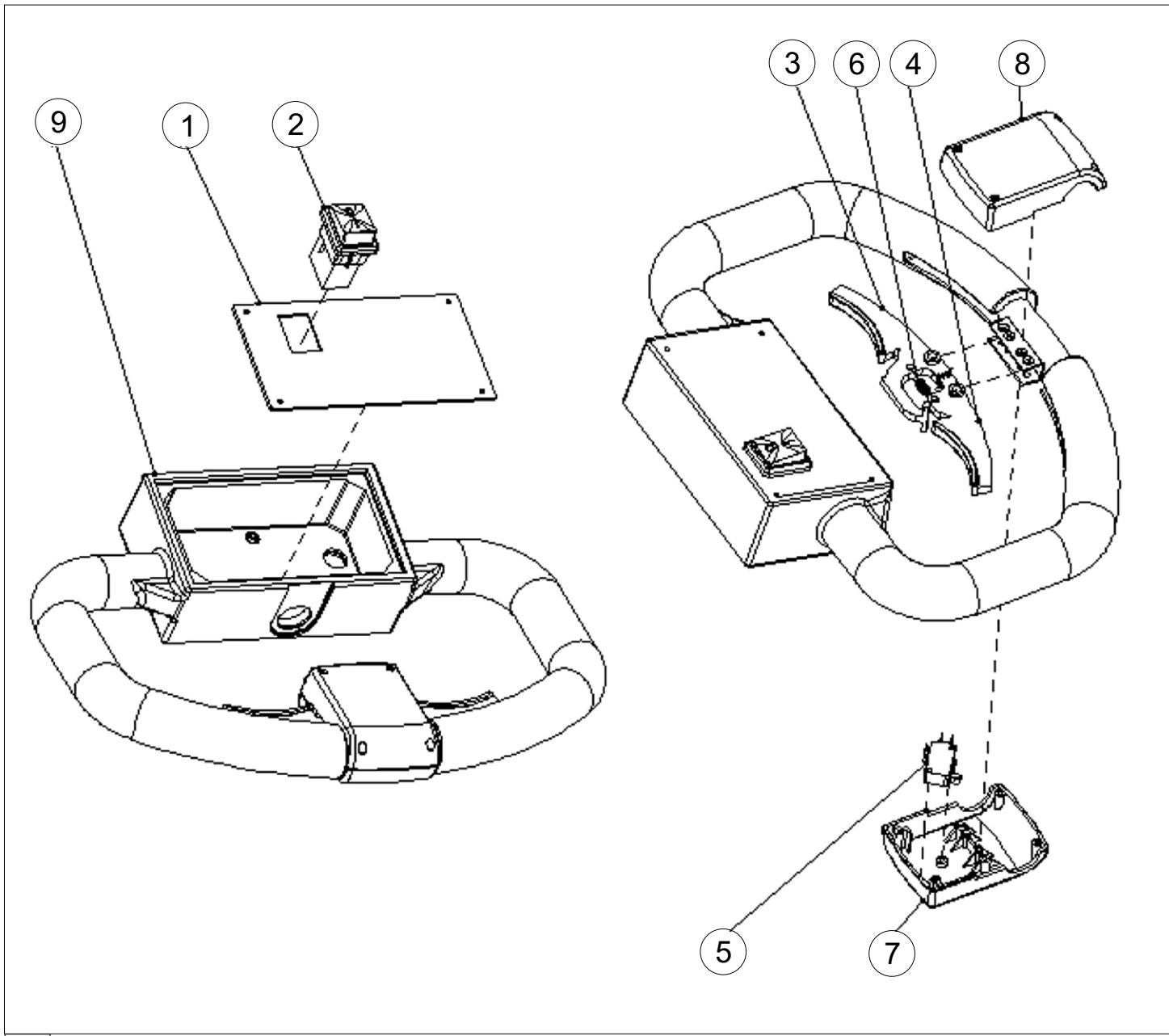


RIF	CODICE/CODE	n°	DESCRIZIONE	DESCRIPTION	DESIGNATION	BENENNUNG	DENOMINACIONES
1	58-01-08-022	1	FERMO	BACKSTOP	CROCHET	BEGRENZUNG	DETENEDOR
2	35-20-01-009	1	SEEGER	SEEGER	SEEGER	SEEGER	SEEGER
3	55-01-09-134	1	SQEEGEE	SQEEGEE	SQEEGEE	SQEEGEE	SQEEGEE
4	15-01-04-059	2	RUOTA	RUOTA	WHEEL	ROUE	RAD
5	15-01-07-015	1	SNODO	SUPPORT	SOUTIEN	HALTERUNG	SOPORTE
6	20-03-01-015	2	VOLANTINO	BLOCKAGE	BLOCUS	SPERRUNG	BLOQUEO
7	40-02-05-027	1	BOCCOLA	BUSHING	BAGUE	BUCHSE	CASQUILLO
8	15-02-06-019	2	CAVO	CABLE	CABLE	KABEL	CABLE
9	40-01-01-317	1	SUPPORTO	SUPPORT	SOUTIEN	HALTERUNG	SOPORTE
10	40-02-01-009	1	SUPPORTO	SUPPORT	SOUTIEN	HALTERUNG	SOPORTE
11	45-05-05-002	1	PULEGGIA	PULLEY	POULIE	RIEMENSHEBE	POLEA
12							
13							
14							
15							

16

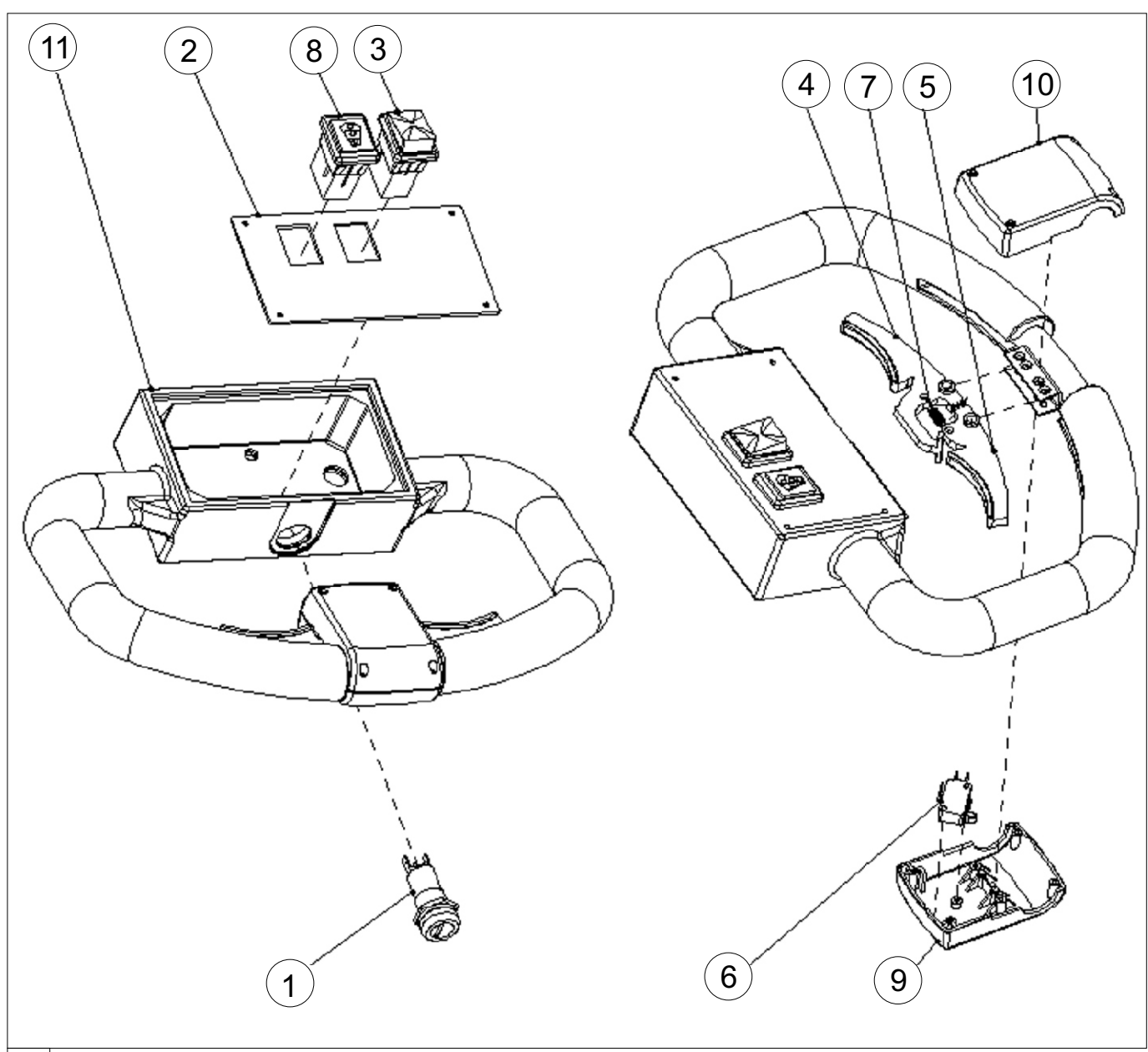


RIF	CODICE/CODE	n°	DESCRIZIONE	DESCRIPTION	DESIGNATION	BENENNUNG	DENOMINACIONES
1	40-20-01-037	1	FERMO DX	BACKSTOP R.	CROCHET D.	BEGRENZUNG R.	DETENEDOR D.
2	45-06-04-034	1	RA CLA POSTERIORE	REAR RUBBER	BAVETTE ARRIERE	HINTERERSSAUGUMMI	GOMA TRASERA
3	40-02-08-009	1	PERNO	SHAFT	ARBRE	ACHSE	ARBOL
4	58-01-06-035	1	CHIUSURA	HOOK	CROCHET	HAKEN	GANCHO
5	15-01-15-001	1	SNODO	JOINT	JOINTURE	JOINT	SNODO
6	40-20-01-038	1	FERMO SX	BACKSTOP L.	CROCHET S.	BEGRENZUNG L.	DETENEDOR I.
7	40-20-09-002	4	PRIGIONIERO	STUD	PRISONIER	STUD	PRISIONERO
8	40-20-06-003	2	PERNO	SHAFT	ARBRE	ACHSE	ARBOL
9	20-01-09-007	2	PARACOLPI	BUMPER	BUTOIR	STOSSDÄMPFER	PARADHQUES
10	40-02-08-008	1	PERNO	SHAFT	ARBRE	ACHSE	ARBOL
11	40-03-02-019	1	SQUEEGEE	SQUEEGEE	SQUEEGEE	SQUEEGEE	SQUEEGEE
12	40-20-09-001	4	PRIGIONIERO	STUD	PRISONIER	STUD	PRISIONERO
13	45-06-04-033	1	RA CLA	FRONT RUBBER	BAVETTE AVANT	VORDERERSAUGGUM	GOMA DELANTERA
14	40-20-01-036	1	FERMO	BACKSTOP	CROCHET	BEGRENZUNG	DETENEDOR
15	20-03-01-016	6	VOLANTINO	ADJUSTER	REGISTRE	DRUCKREGULIERUNG	REGULADOR
16	58-01-06-033	1	SQUEEGEE COMPLETO	SQUEEGEE COMPLETE	SQUEEGEE COMPLET	SQUEEGEE KOMPLETT	SQUEEGEE COMPLETO
17							



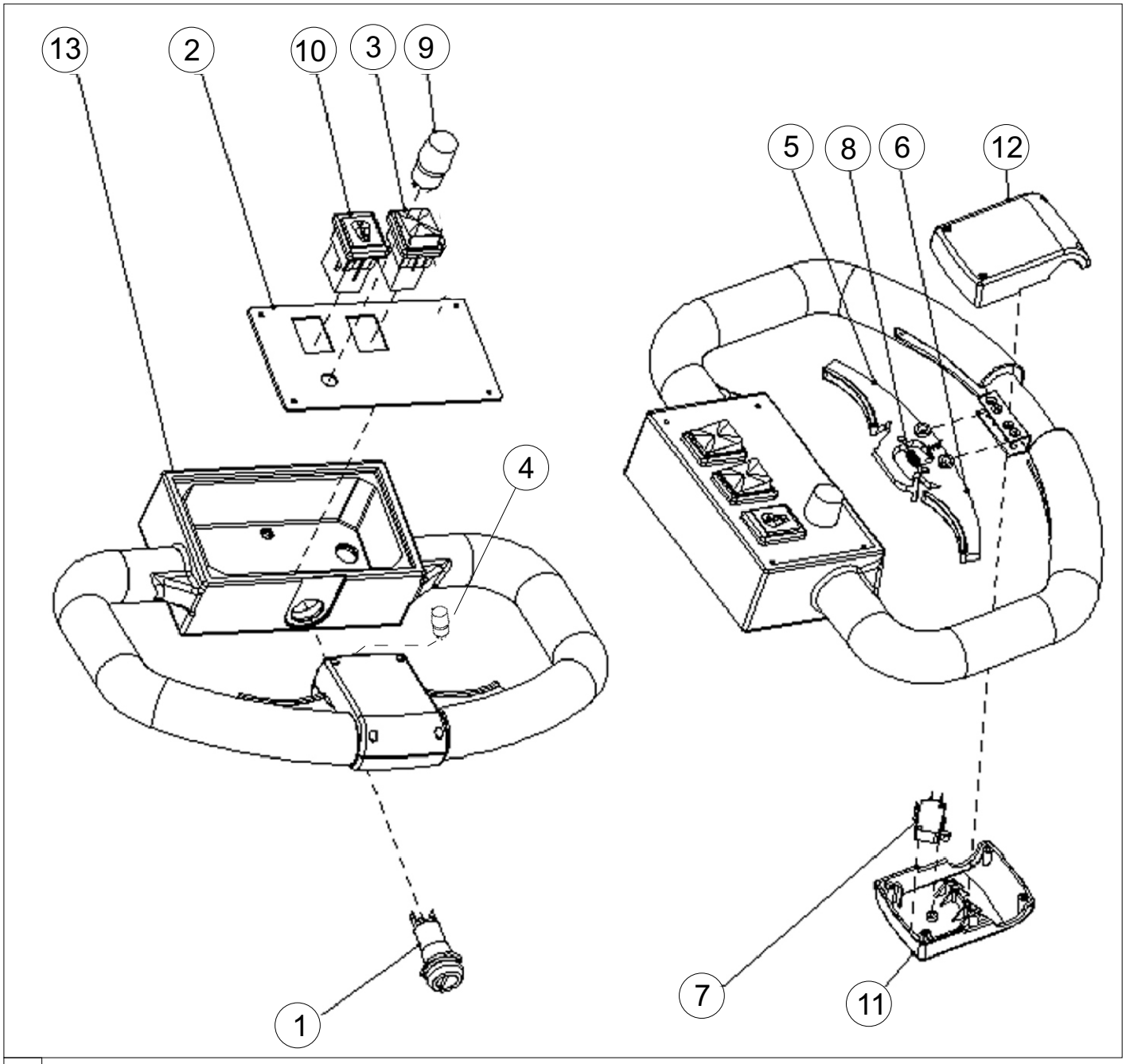
10

RIF	CODICE/CODE n°	DESCRIZIONE	DESCRIPTION	DESIGNATION	BENENNUNG	DENOMINACIONES
1	40-01-04-131	1 CRUSCOTTO	DASHBOARD	TABLEAU DE BORD	DASHBOARD	TABLERO DE INSTRUMENTOS
2	10-02-02-013	1 INTERRUTTORE	SWITCH	INTERRUPTEUR	SCHALTER	INTERUPTOR
3	45-01-06-001	1 LEVA	LEVER	LEVIER	HEBEL	PALANCA
4	45-01-06-004	1 LEVA	LEVER	LEVIER	HEBEL	PALANCA
5	10-02-01-001	1 MICROINTERRUTTORE	MICRO	MICRO	MICRO	MICRO
6	40-04-02-002	1 MOLLA	SPRING	RESSORT	FEDER	RESORTE
7	45-01-04-002	1 COPERCHIO	COVER	COUVERCLE	VERKLAIDUNG	CARENADO
8	45-01-04-005	1 COPERCHIO	COVER	COUVERCLE	VERKLAIDUNG	CARENADO
9	50-04-01-003	1 TIMONE	HANDLE BAR	TIMON	HANDGRIFF	MANILLAR
10	50-01-05-085	1 TIMONE COMPLETO	HANDLE BAR(COMPLETE)	TIMON(COMPLET)	HANDGRIFF(KOMPLETT)	MANILLAR(COMPLETE)



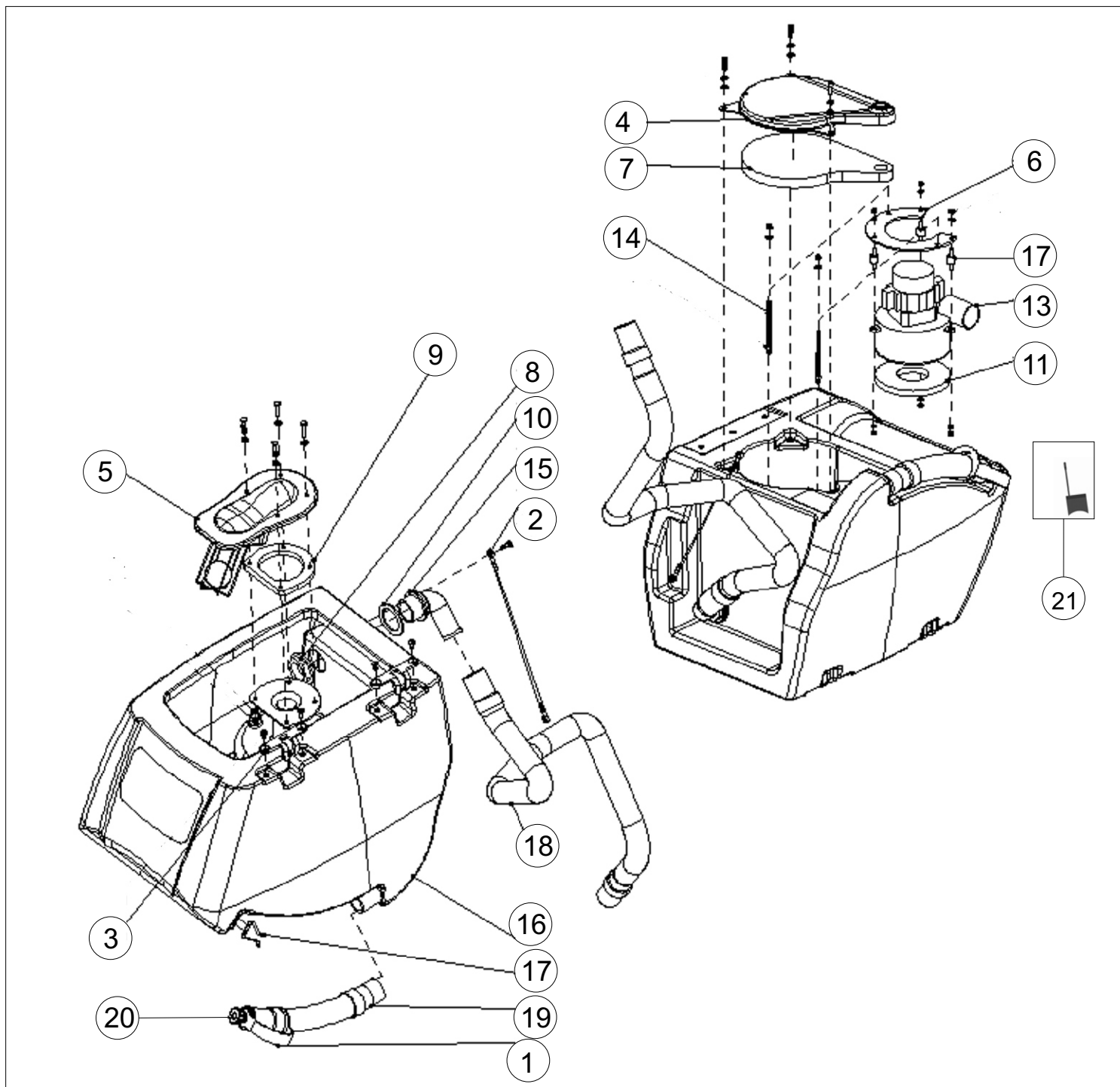
12

RIF	CODICE/CODE n°	DESCRIZIONE	DESCRIPTION	DESIGNATION	BENENNUNG	DENOMINACIONES
1	10-05-23-002	1 ACCENSIONE	IGNITION SWITCH	COMM. D'ALLUMAGE	ZÜNDUNGSHALTER	INTERRUPTOR DE LA IGNICIÓN
2	40-01-04-130	1 CRUSCOTTO	DASHBOARD	TABLEAU DE BORD	DASHBOARD	TABLERO DE INSTRUMENTOS
3	10-02-02-013	1 INTERRUTTORE	SWITCH	INTERRUPTEUR	SCHALTER	INTERUPTOR
4	45-01-06-001	1 LEVA	LEVER	LEVIER	HEBEL	PALANCA
5	45-01-06-004	1 LEVA	LEVER	LEVIER	HEBEL	PALANCA
6	10-02-01-001	1 MICROINTERRUTTORE	MICRO	MICRO	MICRO	MICRO
7	40-04-02-002	1 MOLLA	SPRING	RESSORT	FEDER	RESORTE
8	10-06-05-002	1 SEGNALATORE BATTERIA	BATTERY CHARGE INDICATOR	INDICATEUR DE CHARGE	ANZEIGER ELEKTRIZITÄTSMENGE	INDICADOR DE CARGA
9	45-01-04-002	1 COPERCHIO	COVER	COUVERCLE	VERKLAIDUNG	CARENADO
10	45-01-04-005	1 COPERCHIO	COVER	COUVERCLE	VERKLAIDUNG	CARENADO
11	50-04-01-003	1 TIMONE	HANDLE BAR	TIMON	HANDGRIFF	MANILLAR
12	50-01-05-086	TIMONE COMPLETO	HANDLE BAR(COMPLETE)	TIMON(COMPLET)	HANDGRIFF(KOMPLETT)	MANILLAR(COMPLETEO)

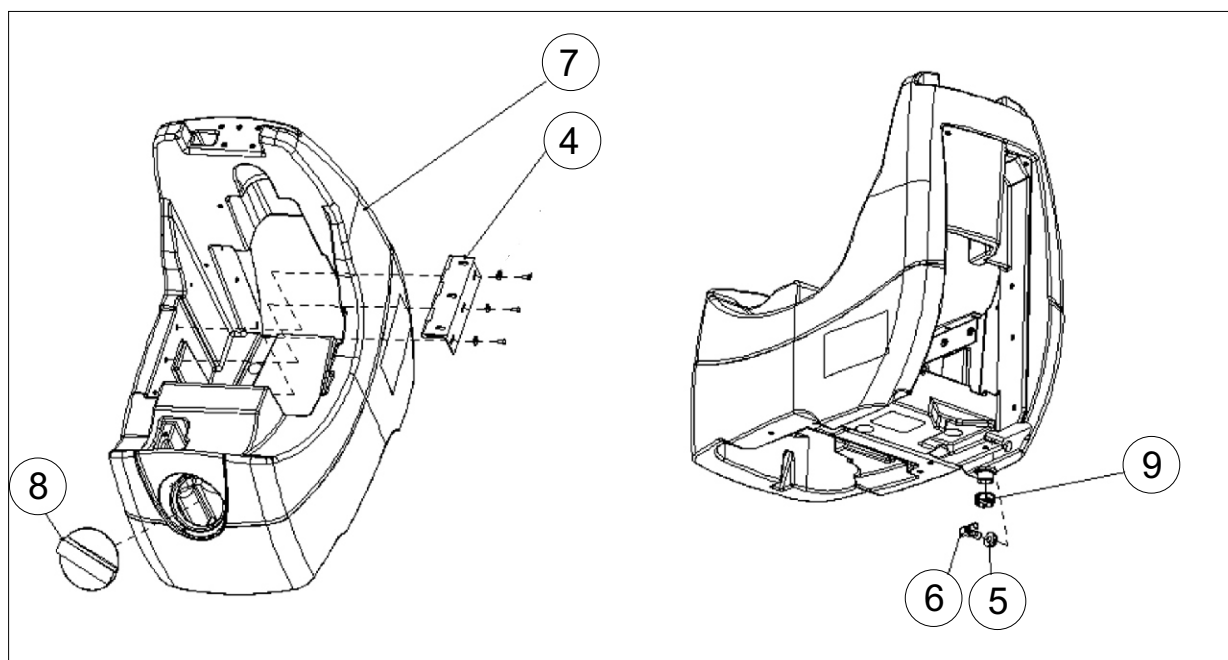
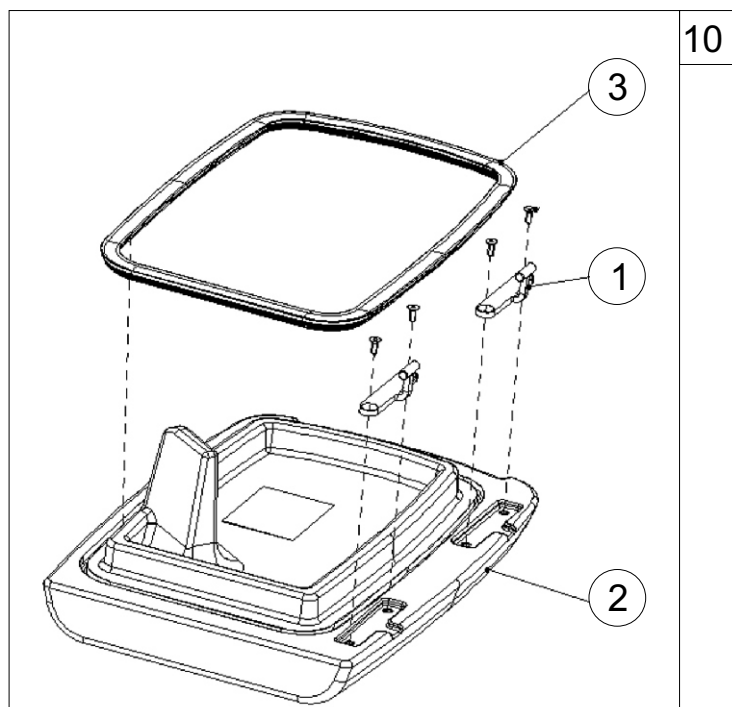


14

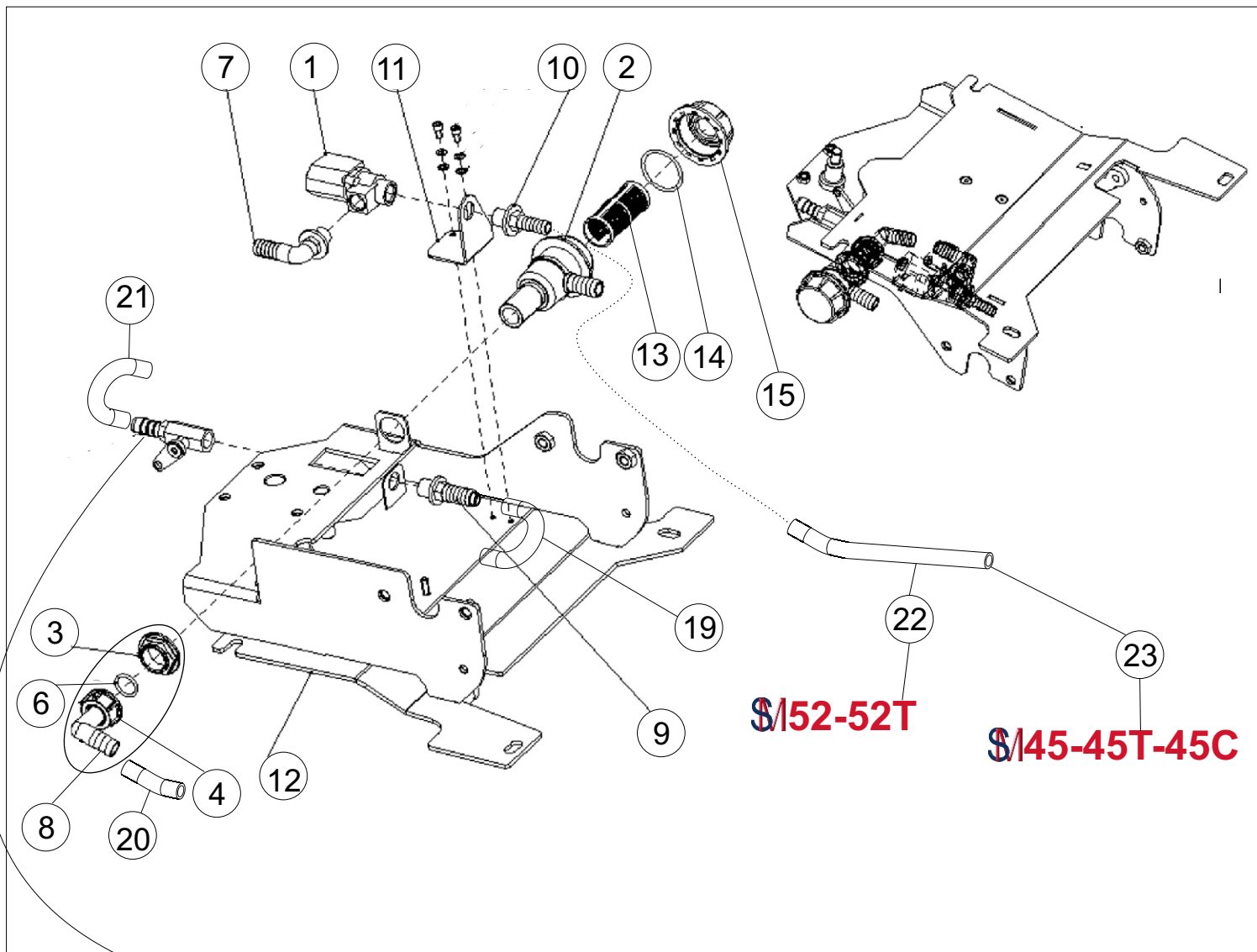
RIF	CODICE/CODE	n°	DESCRIZIONE	DESCRIPTION	DESIGNATION	BENENNUNG	DENOMINACIONES
1	10-05-23-002	1	ACCENSIONE	IGNITION SWITCH	COMM. D'ALLUMAGE	ZÜNDUNGSHALTER	INTERRUPTOR DE LA IGNICIÓN
2	40-01-04-108	1	CRUSCOTTO	DASHBOARD	TABLEAU DE BORD	DASHBOARD	TABLERO DE INSTRUMENTOS
3	10-02-02-013	1	INTERRUTTORE	SWITCH	INTERRUPTEUR	SCHALTER	INTERUPTOR
4	10-02-02-021	1	INTERRUTTORE	SWITCH	INTERRUPTEUR	SCHALTER	INTERUPTOR
5	45-01-06-001	1	LEVA	LEVER	LEVIER	HEBEL	PALANCA
6	45-01-06-004	1	LEVA	LEVER	LEVIER	HEBEL	PALANCA
7	10-02-01-001	1	MICROINTERRUTTORE	MICRO	MICRO	MICRO	MICRO
8	40-04-02-002	1	MOLLA	SPRING	RESSORT	FEDER	RESORTE
9	10-05-27-006	1	POTENZIOMETRO	POTENZIOMETRO	POTENTIOMETER	POTENTIOMETRE	POTENTIOMETER
10	10-06-05-002	1	SEGNALATORE BATTERIA	BATTERY CHARGE INDICATOR	INDICATEUR DE CHARGE	ANZEIGER ELEKTRIZITÄTSMENGE	INDICADOR DE CARGA
11	45-01-04-002	1	COPERCHIO	COVER	COUVERCLE	VERKLAIDUNG	CARENADO
12	45-01-04-005	1	COPERCHIO	COVER	COUVERCLE	VERKLAIDUNG	CARENADO
13	50-04-01-003	1	TIMONE	HANDLE BAR	TIMON	HANDGRIFF	MANILLAR
14	50-01-05-084		TIMONE COMPLETO	HANDLE BAR (COMPLETE)	TIMON (COMPLET)	HANDGRIFF (KOMPLETT)	MANILLAR (COMPLETO)



RIF	CODICE/CODE	n°	DESCRIZIONE	DESCRIPTION	DESIGNATION	BENENNUNG	DENOMINACIONES
1	45-10-08-001	1	GUARNIZIONE	GASKET	GARNITURE	DICHTUNG	JUNTA
2	15-02-06-037	1	CAVO	CABLE	CABLE	KABEL	CABLE
3	40-20-08-005	2	CERNIERA	HINGE	CHARNIERE	SCHARNIER	BISA GRA
4	45-03-01-170	1	COPERCHIO	COVER	COUVERCLE	VERKLAIDUNG	CARENADO
5	58-01-06-037	1	FILTRO	FILTER	FILTRE	FILTER	FILTRO
6	40-01-01-991	1	FLANGIA MOTORE	GASKET	GARNITURE	DICHTUNG	JUNTA
7	45-10-05-010	1	FONOASSORBENTE	ACOUSTIC INSULATION	ACOUSTIC ISOLATION	ACOUSTIC ISOLATION	ACOUSTIC AISLAMIENTO
8	20-01-08-004	1	GHIERA	RING	RING	RING	RING
9	45-10-07-016	1	GURNIZIONE	GASKET	GARNITURE	DICHTUNG	JUNTA
10	20-01-08-019	1	GUARNIZIONE	GASKET	GARNITURE	DICHTUNG	JUNTA
11	45-10-08-11 A	1	GUARNIZIONE	GASKET	GARNITURE	DICHTUNG	JUNTA
12	40-04-02-012	1	MOLLA	MOLLA	SPRING	RESSORT	FEDER
13	10-01-05-001	1	MOTORE	MOTOR	MOTEUR	MOTOR	MOTOR
14	40-06-03-016	2	PRIGIONIERO	STUD	PRISONIER	STUD	PRISIONERO
15	20-01-08-003	1	RACCORDO	FITTING	RACCORD	VERSHRAUBUNG	EMPALME
16	45-02-02-017	1	SERBATOIO	TANK	RESEVOIR	TANK	TANQUE
17	20-01-03-002	3	SUPPORTO	SUPPORT	SOUTIEN	HALTERUNG	SOPORTE
18	45-05-01-012	1	TUBO	PIPE	TUBE	ROHR	TUBO
19	45-05-01-016	1	TUBO	PIPE	TUBE	ROHR	TUBO
20	70-03-01-003	1	TAPPO	PLUG	BOUCHON	DECKEL	TAPON
21	45-10-05-012	2	SPAZZOLE MOTORE	MOTOR BRUSH	CHARBON MOTEUR	KOHOEBORSTE	ESCOBILLA MOTOR



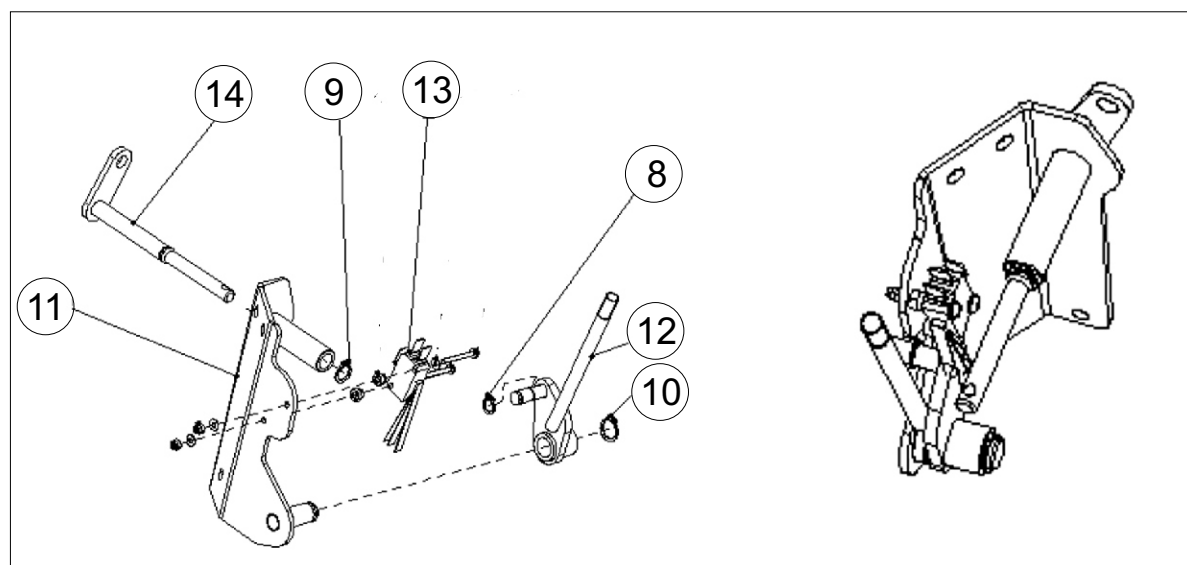
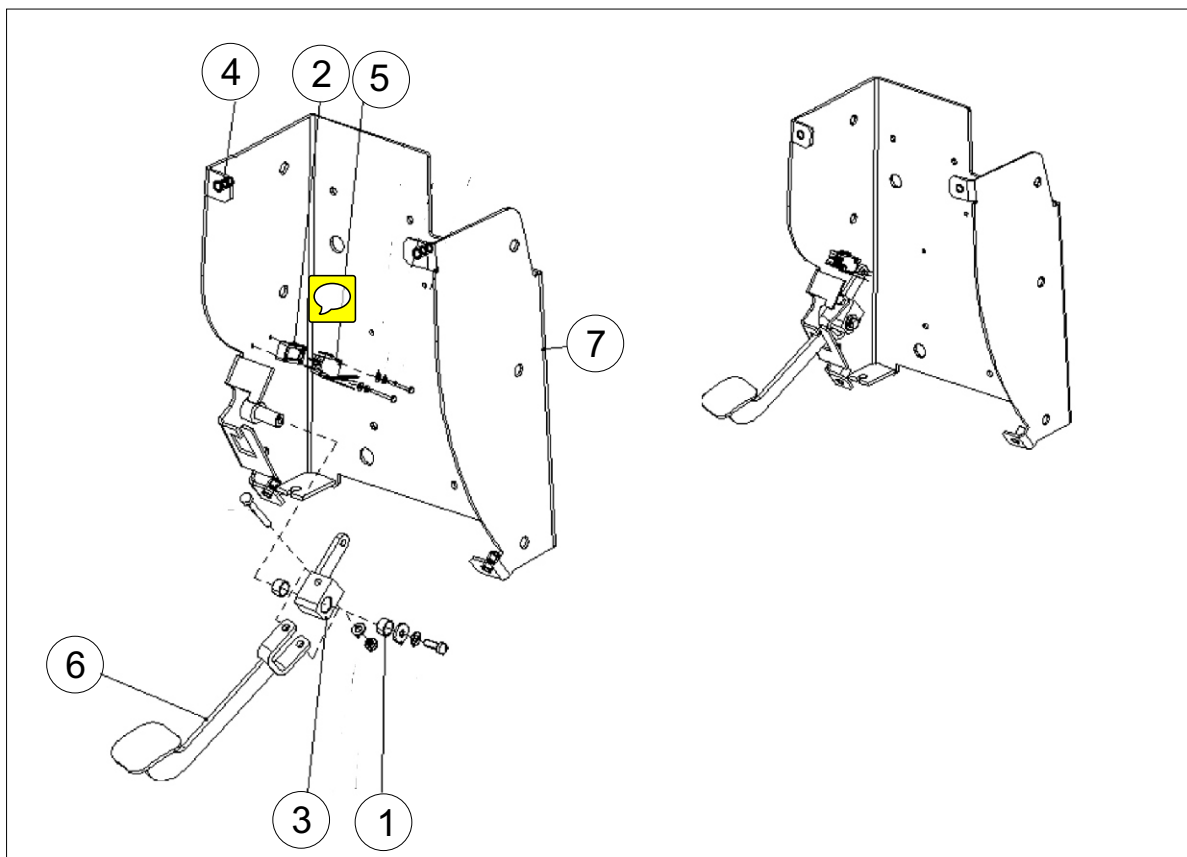
RIF	CODICE/CODE	n°	DESCRIZIONE	DESCRIPTION	DESIGNATION	BENENNUNG	DENOMINACIONES
1	55-02-09-001	2	CERNIERA	HINGE	CHARNIERE	SCHARNIER	BISAGRA
2	45-02-02-018	1	COPERCHIO	COVER	COUVERCLE	VERKLAIDUNG	CARENADO
3	45-05-02-012	1	GUARNIZIONE	GASKET	GARNITURE	DICHTUNG	JUNTA
4	20-01-11-003	1	CERNIERA	HINGE	CHARNIERE	SCHARNIER	BISAGRA
5	20-01-04-007	1	GUARNIZIONE	GASKET	GARNITURE	DICHTUNG	JUNTA
6	35-12-04-007	1	PORTAGOMMA	FITTING	RACCORD	VERSHRAUBUNG	EMPALME
7	45-02-02-019	1	SERBATOIO	TANK	RESEVOIR	TANK	TANQUE
8	20-01-02-017	1	TAPPO	PLUG	BOUCHON	DECKEL	TAPON
9	20-01-02-001	1	TAPPO	PLUG	BOUCHON	DECKEL	TAPON
10	58-01-07-017	1	COPERCHIO COMPLETO	COVER (COMPLETE)	COUVERCLE (COMPLET)	VERKLAIDUNG (KOMPLETT)	CARENADO (COMPLETO)



\$/52-52T

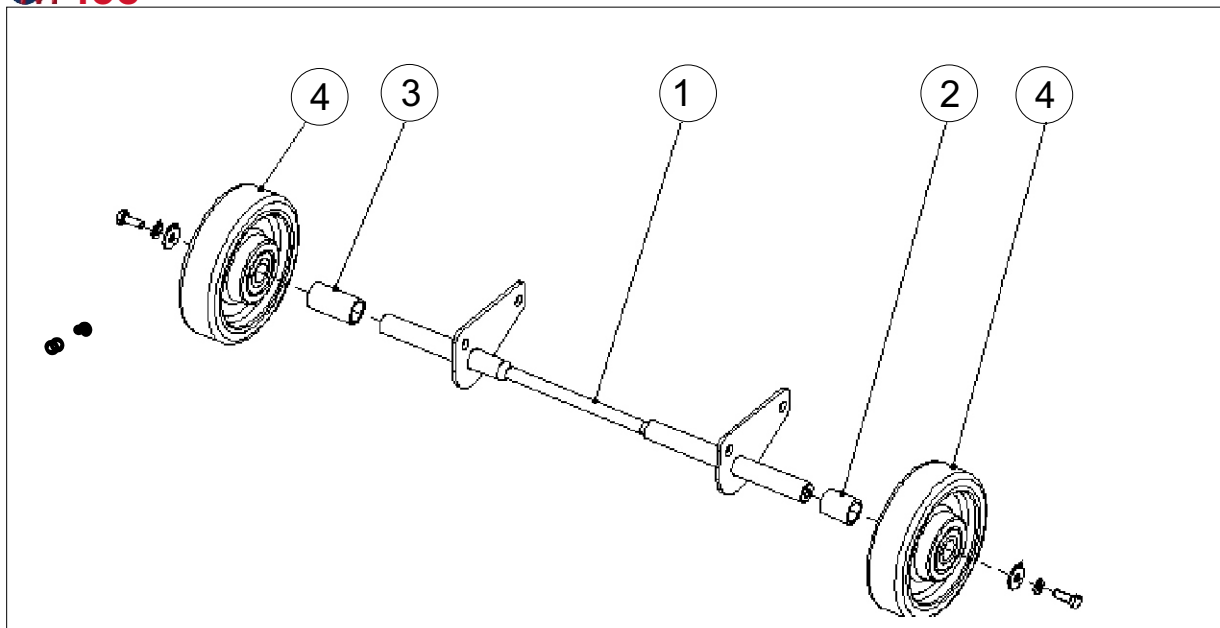
\$/45-45T-45C

RIF	CODICE/CODE	n°	DESCRIZIONE	DESCRIPTION	DESIGNATION	BENENNING	DENOMINACIONES
1	10-05-12-003	1	ELETTROVALVOLA	SOLENOID VALVE	ELECTROVANNE	MAGNETVENTIL	ELETTROVALVOLA
2	20-01-08-024	1	FILTRO	FILTER	FILTRE	FILTER	FILTRO
3	20-01-08-012	1	GHIERA	RING	RING	RING	RING
4	20-01-08-010	1	GHIERA	RING	RING	RING	RING
5	31-13-04-003	1	RUBINETTO	TAP	TAP	TAP	TAP
6	20-01-08-011	1	GUARNIZIONE	GASKET	GARNITURE	DICHTUNG	JUNTA
7	20-01-08-014	1	RACCORDO	FITTING	RACCORD	VERSHRAUBUNG	EMPALME
8	20-01-08-007	1	RACCORDO	FITTING	RACCORD	VERSHRAUBUNG	EMPALME
9	35-12-04-011	1	RACCORDO	FITTING	RACCORD	VERSHRAUBUNG	EMPALME
10	20-01-08-018	1	RACCORDO	FITTING	RACCORD	VERSHRAUBUNG	EMPALME
11	40-01-04-098	1	SUPPORTO	SUPPORT	SOUTIEN	HALTERUNG	SOPORTE
12	55-01-01-254	1	TELAIO	SUPPORT	SOUTIEN	HALTERUNG	SOPORTE
13	20-01-08-021	1	TAPPO	PLUG	BOUCHON	DECKEL	TAPON
14	20-01-08-022	1	GUARNIZIONE	GASKET	GARNITURE	DICHTUNG	JUNTA
15	20-01-08-023	1	CARTUCCIA	FILTER CARTRIDGE	FILTRE CARTOUCHE	FILTER CARTRIDGE	CARTUCHO FILTRO
16	20-01-05-005	1	KIT FILTRO	KIT FILTER	KIT FILTRE	KIT FILTER	KIT FILTRO
17	55-01-09-011	1	LEVA	LEVA	LEVER	LEVIER	HEBEL
18	35-12-04-003	1	PORTAGOMMA	FITTING	RACCORD	VERSHRAUBUNG	EMPALME
19	45-05-01-047	1	TUBO	PIPE	TUBE	ROHR	TUBO
20	45-15-01-046	1	TUBO	PIPE	TUBE	ROHR	TUBO
21	45-15-01-049	1	TUBO	PIPE	TUBE	ROHR	TUBO
22	45-15-01-50	1	TUBO	PIPE	TUBE	ROHR	TUBO

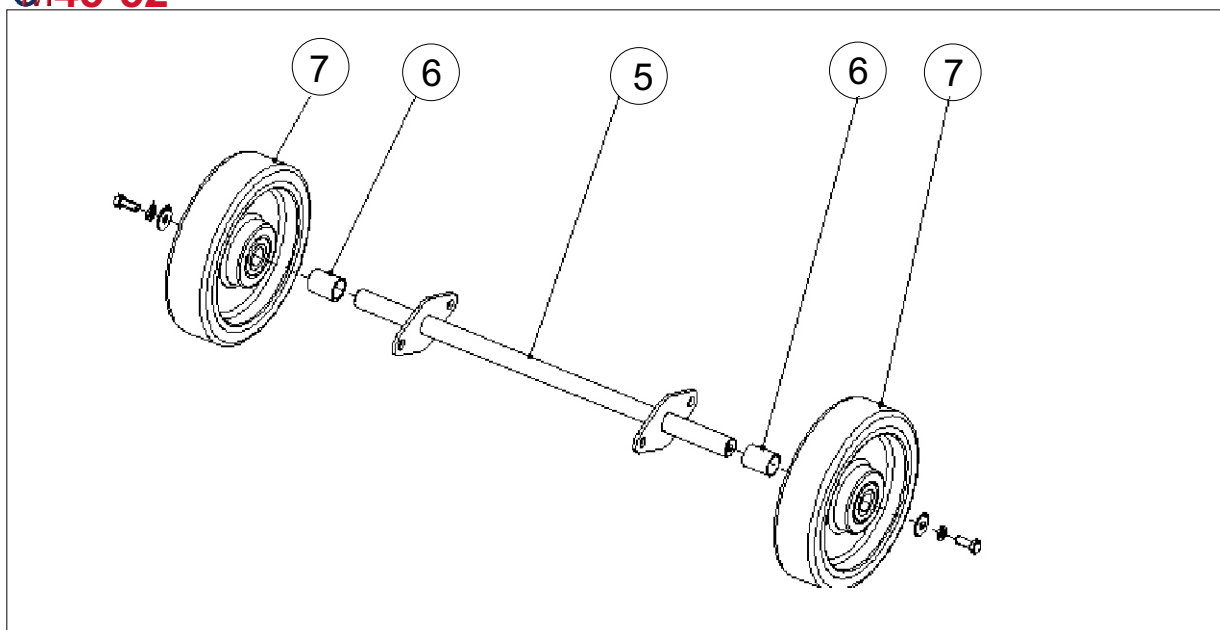


RIF	CODICE/CODE	n°	DESCRIZIONE	DESCRIPTION	DESIGNATION	BENENNUNG	DENOMINACIONES
1	35-15-03-002	2	BOCCOLA	BUSHING	BAGUE	BUCHSE	CASQUILLO
2	45-01-06-005	1	DISTANZIALE	BUSHING	ENTERTOISE	DISTANZSYÜK	DISTANCIALES
3	55-01-05-003	1	SUPPORTO	SUPPORT	SOUTIEN	HALTERUNG	SOPORTE
4	35-08-01-010	4	INSERTO	SUPPORT	SOUTIEN	HALTERUNG	SOPORTE
5	10-02-01-010	1	MICRO	MICRO	MICRO	MICRO	MICRO
6	55-01-05-006	1	PEDALE	LEVER	LEVIER	HEBEL	PALANCA
7	55-01-01-253	1	SUPPORTO	SUPPORT	SOUTIEN	HALTERUNG	SOPORTE
8	35-20-01-004	1	SEEGER	SEEGER	SEEGER	SEEGER	SEEGER
9	35-20-01-014	1	SEEGER	SEEGER	SEEGER	SEEGER	SEEGER
10	35-03-01-004	1	SEEGER	SEEGER	SEEGER	SEEGER	SEEGER
11	55-01-01-263	1	SUPPORTO	SUPPORT	SOUTIEN	HALTERUNG	SOPORTE
12	55-01-01-048	1	LEVA	LEVER	LEVIER	HEBEL	PALANCA
13	10-02-01-010	1	MICRO	MICRO	MICRO	MICRO	MICRO
14	55-01-09-009	1	PERNO	SHAFT	ARBRE	ACHSE	ARBOL

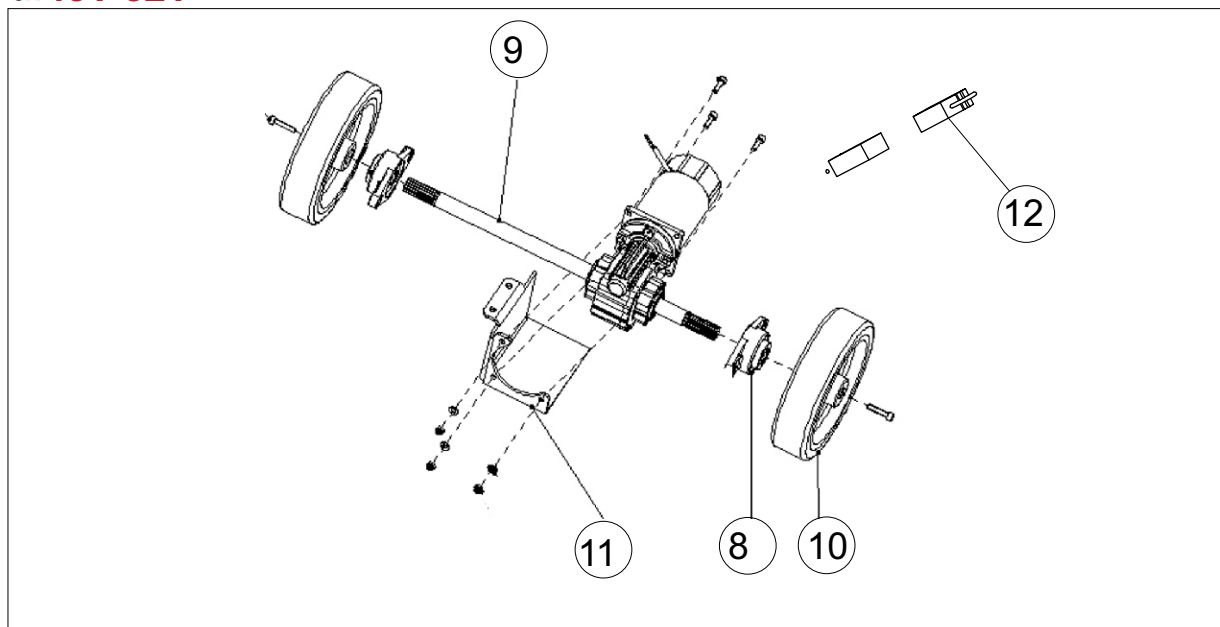
S/45c



S/45-52

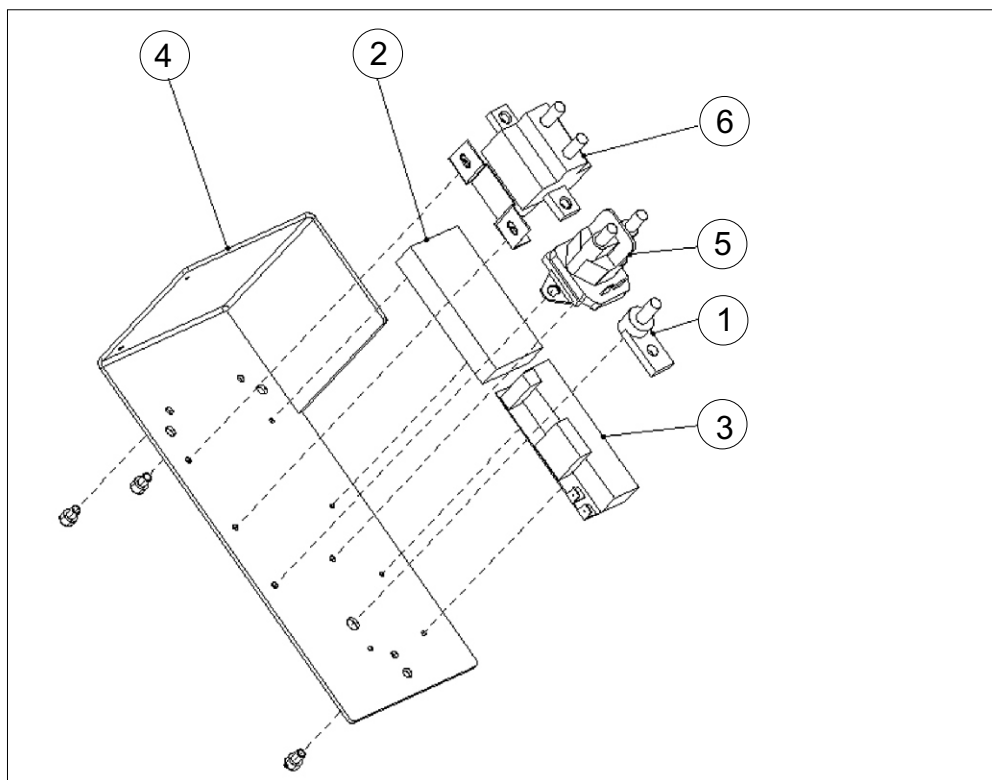


S/45T-52T

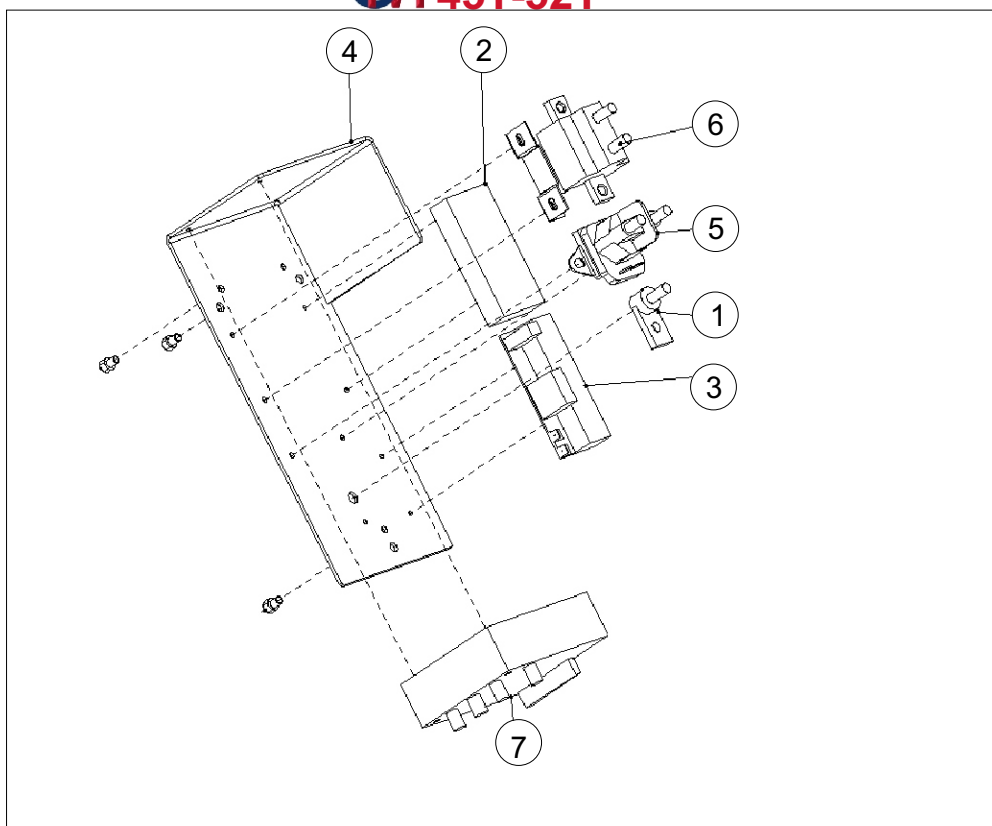


RIF	CODICE/CODE	n°	DESCRIZIONE	DESCRIPTION	DESIGNATION	BENENNUNG	DENOMINACIONES
1	55-01-09-136	1	ASSALE	AXLE	ASSIE	HALBACHSEN	EJE
2	40-02-04-405	1	DISTANZIALE	BUSHING	ENTERTOISE	DISTANZSYÜK	DISTANCIALES
3	40-02-04-406	1	DISTANZIALE	BUSHING	ENTERTOISE	DISTANZSYÜK	DISTANCIALES
4	15-01-04-037	2	RUOTA	WHEEL	ROUE	RAD	RUEDA
5	55-01-09-135	1	ASSALE	AXLE	ASSIE	HALBACHSEN	EJE
6	40-02-04-405	2	DISTANZIALE	BUSHING	ENTERTOISE	DISTANZSYÜK	DISTANCIALES
7	15-01-04-009	2	RUOTA	WHEEL	ROUE	RAD	RUEDA
8	15-01-07-007	2	CUSCINETTO	BEARING	ROULEMENT	LAGER	COJINETE
9	15-02-01-029	1	MOTORIDUTTORE	TRACTION MOTOR	MOTEUR	MOTOR	MOTOR
10	15-01-04-010	2	RUOTA	WHEEL	ROUE	RAD	RUEDA
11	40-01-04-097	1	SUPPORTO	SUPPORT	SOUTIEN	HALTERUNG	SOPORTE
12	45-10-05-011	2	SPAZZOLE MOTORE	CARBON BRUSH MOTOR	CHARBON MOTEUR	KOHLEBORSTE	ESCOBILLA MOTOR

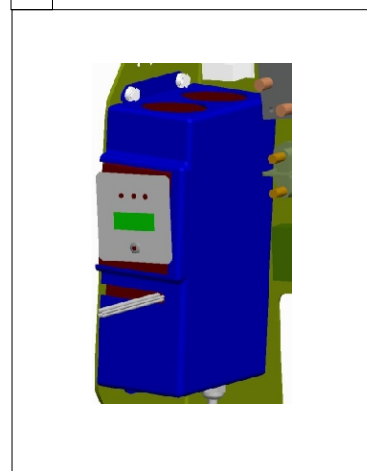
SM 45-52



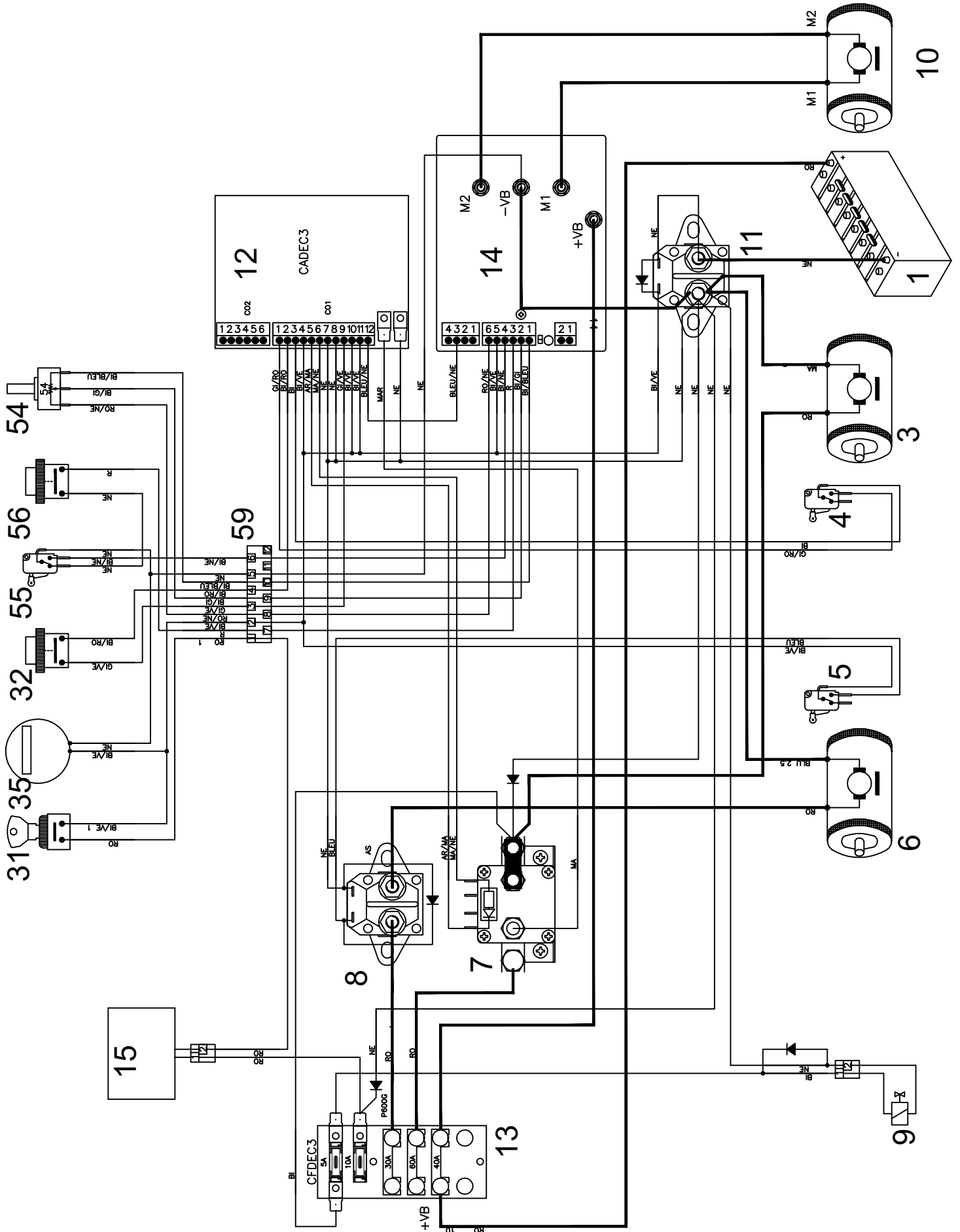
SM 45T-52T

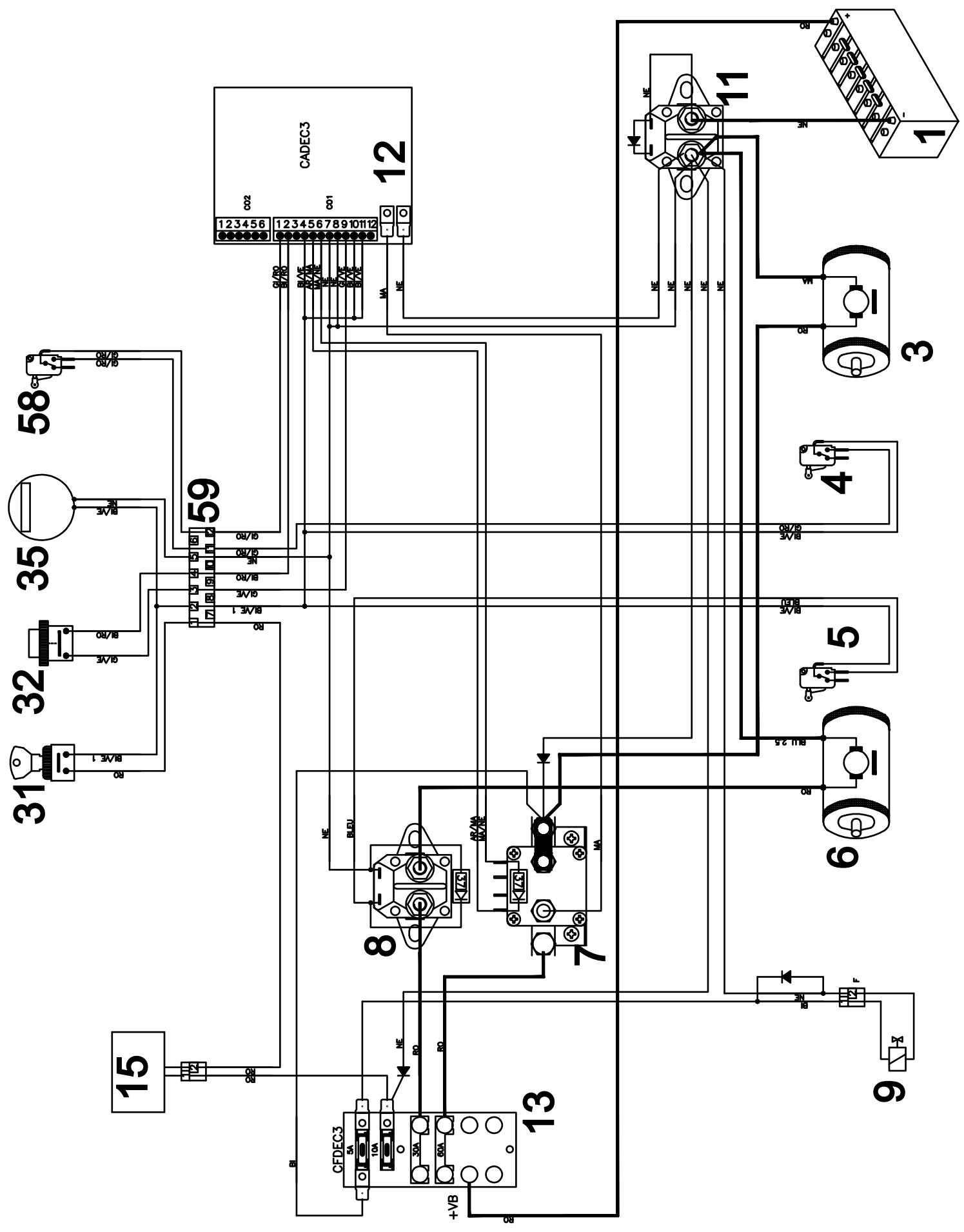


8



RIF	CODICE/CODE	n°	DESCRIZIONE	DESCRIPTION	DESIGNATION	BENENNUNG	DENOMINACIONES
1	10-05-10-011	1	ISOLATORE	INSULATOR	JOUPON	KUPPLUNG	COUPLER
2	10-06-04-001	1	SCHEDA FISIBILI	FUSIBLE BOARD	FISCH FUSIBLE	FUSE-BLATT	HOJA DE FUSIBLE
3	10-06-04-003	1	SCHEDA INEGRATA	BOARD	CARTE	LEITERPLATTE	TARJETA DE CIRCUITO
4	40-01-04-400	1	SUPPORTO	SUPPORT	SOUTIEN	HALTERUNG	SOPORTE
5	10-05-18-011	1	TELERUTTORE	REMOTE CONTR.SWITCH	TELERUPTEUR	SCHOTZ	TELEINTERRUPTOR
6	10-05-018-010	1	TELERUTTORE	REMOTE CONTR.SWITCH	TELERUPTEUR	SCHOTZ	TELEINTERRUPTOR
7	10-06-02-024	1	REGOLAZIONE	REMOTE CONTR.SWITCH	TELERUPTEUR	SCHOTZ	TELEINTERRUPTOR
8	10-08-01-030	1	CARICABATTERIA	CHARGE BATTERIE	BATTERIE LADUNG	CARGADOR	SEEGER

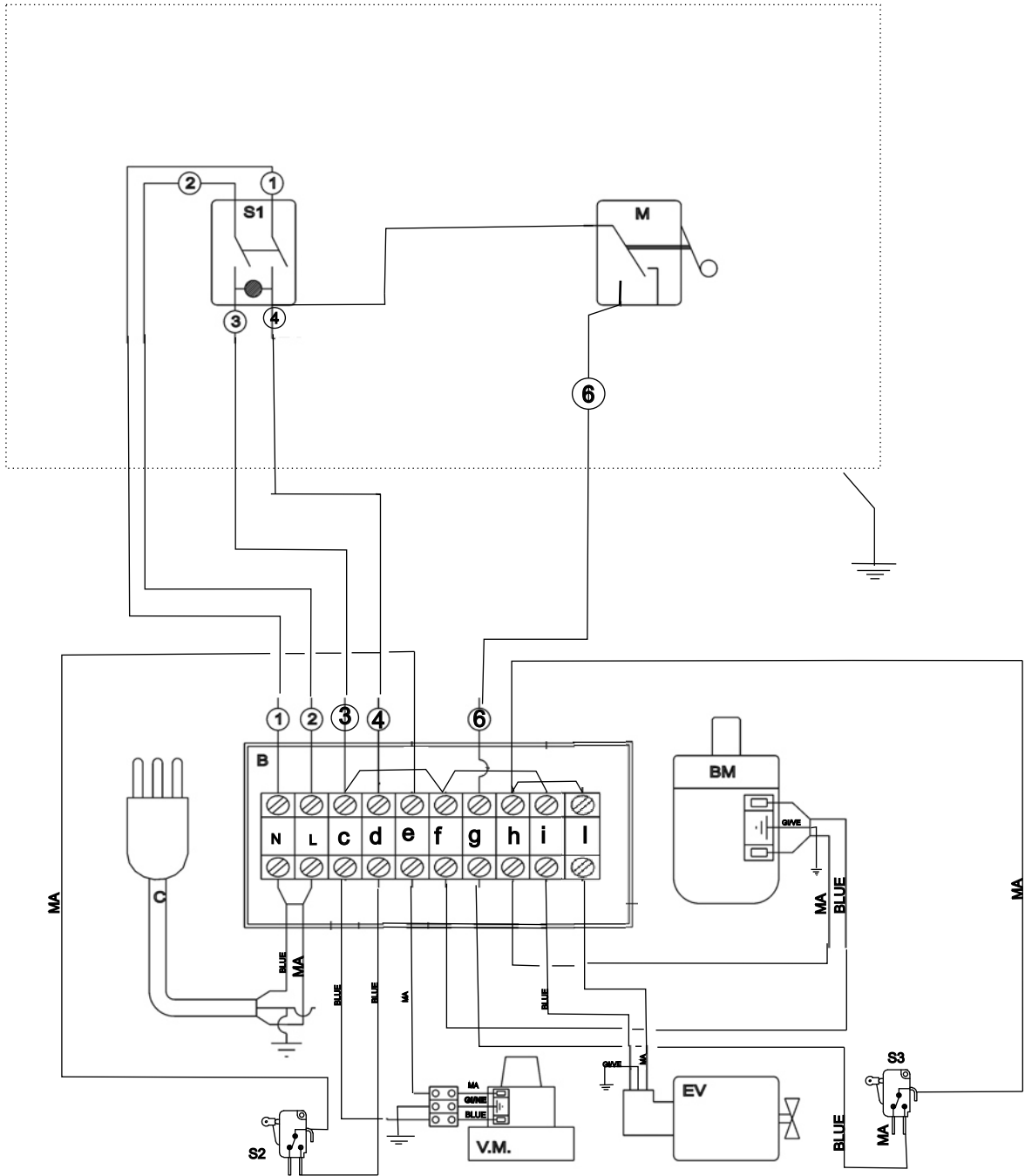




	Rif.	Colore cavo		Rif.	Colore cavo
*	BI	Bianco---white	*	BI/NE	Bianco-Nero---white black
*	BLUE	Blu---blue	*	BI/RO	Bianco-Rosso---white red
*	MA	Marrone---brown	*	BI/VE	Bianco-Verde---white green
*	NE	Nero--black	*	BLEU/NE	Blu-Nero--- blue black
*	R	Rosa---pink	*	GI/VE	Giallo-Verde---yellow green
*	RO	Rosso---red	*	GI/RO	Giallo-Rosso---yellow red
*	AR/MA	Arancio-Marrone--orange brown	*	MA/NE	Marrone-Nero---brown black
*	BI/BLEU	Bianco-Blu—white blue	*	RO/NE	Rosso-Nero--- red black
*	BI/GI	Bianco-Giallo—white yellow			

RIF	CODICE/CODE	DESCRIZIONE	CHARGER	DESIGNATION	BENENNUNG	DENOMINACIONES
1	10-07-03-014	BATTERIE	BATTERY	BATTERIE	BATTERIE	BATERIAS
3	15-02-01-004	MOTORE (SM 52)	MOTOR(SM52)	MOTEUR(SM52)	MOTOR(SM 52)	MOTOR(SM52)
4	10-02-01-010	MICRO COMANDO SPAZZOLE	SWITCH (BRUSHES)	INTRERRUPTEUR(BROSSES)	SHALTER(BÜRSTEN)	INTERRUPTEUR(CEPILLOS)
5	10-02-01-010	MICRO COMANDO ASPIRAZIONE	SWITCH(SUCTION)	INTRERRUPTEUR(ASPIRATION)	SHALTER(ABSAUGANLAGEN)	INTERRUPTEUR(SUCCION)
6	10-01-05-001	MOTORE ASPIRAZIONE	SUCTION MOTOR	MOTEUR D'ASPIR	SAUGMOTOR	MOTOR DE ASPIR
7	10-05-18-010	TELERUTTORE SPAZZOLA	REMOTE CONROL SWITCH(BRUSHES)	TELERUP TEUR(BROSSES)	SCHOTZ(BÜRSTEN)	TELEINTERRUPTOR(CEPILLOS)
8	10-05-18-011	TELERUTTORE ASPIRAZIONE	REMOTE CONROL SWITCH(SUCTION)	TELERUP TEUR(ASPIRATION)	SCHOTZ(ABSAUGANLAGEN)	TELEINTERRUPTOR(SUCCION)
9	10-05-12-003	ELETTROVALVOLA	SOLENOID VALVE	ELECTROVANNE	MAGNETVENTIL	ELECTROVALVULA
10	15-02-01-029	MOTORE TRAZIONE	TRACTION MOTOR	MOTEUR(TRACTION)	MOTOR(SELAUFZUG)	MOTOR(TRACCION)
14	10-06-04-003	SCHEDA INTEGRATA	CARD	VARIATEURE ELECTRONIQUE	ELETTRONIKKARTE	FICHA-CHOPPER
15	10-08-01-030	CARICA BATTERIA	CHARGER	CHARGE BATTERIE	BATTERE LADUNG	CARGADOR
31	10-05-23-002	CHIAVE ACCENSIONE	IGNITION SWITCH	COMM. D'ALLUMAGE	ZÜNDUNGSHALTER	INTERRUPTOR DE LA IGNICION
32	10-02-02-013	STACCO SPAZZOLE	SWTCH(BRUSHES)	INTRERRUPTEUR(BROSSES)	SHALTER(BÜRSTEN)	INTERRUPTEUR(CEPILLOS)
35	10-06-06-024	INDICATORE CARICA BATTERIA	BATTERY CHARGE INDICATOR	INDICA TEUR DE CHARGE	ANZEIGER ELEKTRIZITÄTSMENGE	INDICADOR DE CARGA
54	10-05-27-006	POTENZIOMETRO VELOCITÀ	POTENTIMETER	POTÉNTIOMETRE	POTENTIOMETER	POTENCIÓMETRO
55	10-02-01-010	MICRO MARCIA AVANTI	FORWARD MICROSWITCH	MICROINTERRUPTEUR	MIKROSHALTER	MICROINTERRUPTOR
56	10-02-01-010	PULSANTERETROMARCIA	REVERSE SWITCH	INTERRUPTEUR	SHALTER	INTERRUPTOR

SM 45c



Componenti	Descrizione	Componenti	Descrizione
B	Connettore	N.L.c.d.e.f.g.h.i.l	Elementi del connettore
BM	Motore spazzola	S1	Interruttore generale
C	Cavo alimentazione	S2	Micro per motore aspirazione
EV	Elettrovalvola	S3	Micro per motore spazzola ed elettroval.
M	Micro comando lavoro	VM	Motore aspirazione

Components	Description	Components	Description
B	connector	N.L.d.d.e.f.g.h.i.l	element's connector
BM	brush motor	S1	general interruptor
C	alimentation cable	S2	micro suction motor
EV	solenoid valve	S3	micro suction motor/solenoid valve
M	micro	VM	suction motor
Electric cable			
1-2-3-4-6	numbered cables		
blu	blue		
ma	brown		
gi/ve	yellow-green		

Cavi elettrici	
1-2-3-4-6	Cavi numerati
BLUE	Blu
MA	Marrone
GI/VE	Giallo-Verde