

SR 1600 B

Model:
SR 1600 B



Part List US-English

27-02-2011

Table of Contents

SR 1600 B

CHASSIS SYSTEM	3
CONTROLS SYSTEM	6
CONTROL PANEL ASSEMBLY	8
BRAKE LEVER/ YOKE ASSEMBLIES	10
THROTTLE ASSEMBLY	12
STEERING SYSTEM	14
DRIVE WHEEL SYSTEM	17
FRONT WHEEL SYSTEM	19
HYDRAULIC SYSTEM	21
HOPPER SYSTEM	24
DUST CONTROL SYSTEM	27
MAIN BROOM SYSTEM	29
MAIN BROOM SYSTEM (SCROLL ASSEMBLY)	32
SIDE BROOM SYSTEM	34
SIDE BROOM ASSEMBLY	36
DECAL SYSTEM	38
ELECTRICAL SYSTEM	40
ELECTRICAL SCHEMATIC	43
MAIN BROOM	46
BROOM SELECTOR GUIDE	48
56416697 - Roller Bump Kit	50

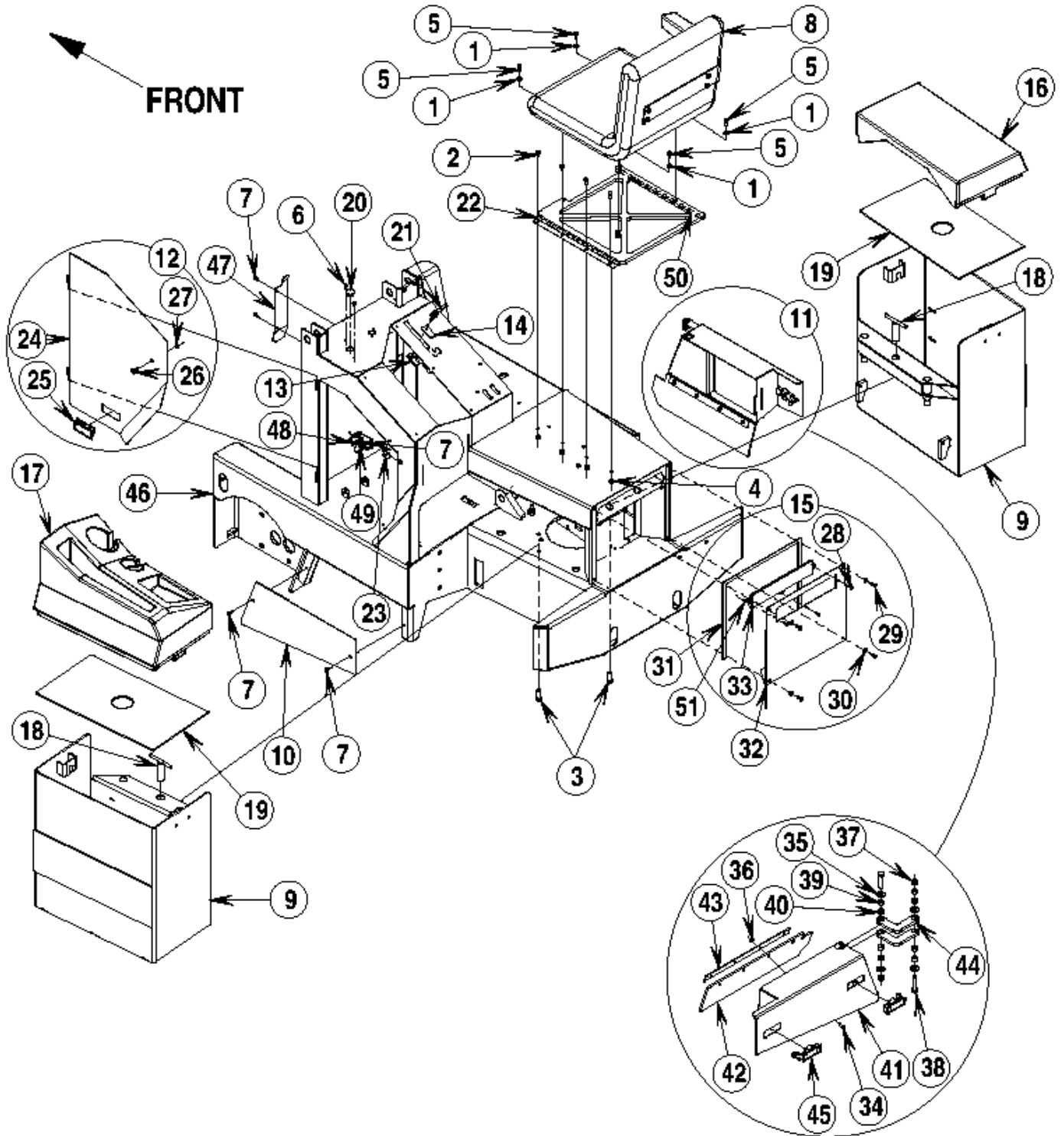
CHASSIS SYSTEM

SR 1600 B

27-02-2011

Part List ID F3312

3



CHASSIS SYSTEM

SR 1600 B

27-02-2011

Part List ID

F3312

4

Pos	Part no.	Qty	Description	EAN
1	56001939	4	WSH FLT SAE 5/16	5711144000
2	56002035	4	SCR HEX 5/16 18 X .62	5711144000
3	56002666	2	SCR HEX THD TO HD 1/2 13 X1.50	5711144002
4	56002701	4	NUT HEX NYL LOC 5/16 18	5711144002
6	56009248	2	SCR PHIL THDFORM BLK1/4 20X.75	
7	56009033	6	SCR HEX THD FORM 1/4 20X.50	5711144007
8	56109291	1	SEAT ASSY KIT	5711144020
8	56409613	1	SWITCH SEAT	5711144085
9	56416080	2	BATTERY BOX WELDMENT	5711144096
10	56416327	1	DOOR LEFT	5711144097
11	56416331	1	RIGHT DOOR ASSY.	5711144097
13	56416411	1	STOP BROOM	5711144097
14	56416412	1	STOP BROOM	5711144098
15	56416417	1	REAR COVER ASSY.	5711144098
16	56416419	1	COVER BATTERY	5711144098
17	56416431	1	COVER CONSOLE	5711144098
18	56416562	2	TEE HANDLE WELDT	5711144098
19	56416577	2	SHIELD BATTERY	5711144098
20	56416593	1	PLUG BUTTON 1.0	5711144098
21	56416597	1	HANDLE ADJUSTABLE	5711144098
22	56416614	1	SEAT PLATE WELDT	5711144099
23	56491326	1	SCREW RECEPTACLE	5711144125
24	56416453	1	TOWER DOOR WELDMENT	5711144098
25	56416455	1	PULL POCKET	5711144098
26	56448104	1	SCREW FASTENER CV610	5711144107
27	56448108	1	WASHER RETAINER	5711144107
28	56009100	3	SCR PANPHILTHD BLK 10 24X.62	5711144008
29	56009248	4	SCR PHIL THDFORM BLK1/4 20X.75	
30	56009249	4	WSH FLT SAE BLK 1/4	5711144008
31	56416647	1	GASKET RS STRIP .12X.50	5711144099
32	56416315	1	COVER REAR	5711144097
33	56416418	1	LENS TAIL LIGHT	5711144098
34	56002155	4	SCR HEX 1/4 20 X .75	5711144001
35	56001879	4	WSH FLT SAE 1/2	5711144000
36	56002840	4	NUT HEX NYL LOC THIN 1/4 20	5711144002
37	56002843	2	NUT HEX NYL LOC THIN 1/2 13	5711144002
38	56002983	2	SCR HEX 1/2 13 X 2.00	5711144003
39	56360627	4	BUSHING .50X.62X.41CT32G	5711144066
40	56370878	4	BEARING SLEEVE .627CV213FE0202	5711144067
41	56416332	1	RIGHT DOOR WELDMENT	5711144097
42	56416336	1	BLADE HOPPER FABRIC RT	5711144097

CHASSIS SYSTEM

SR 1600 B

27-02-2011

Part List ID

F3312

5

Pos	Part no.	Qty	Description	EAN
43	56416337	1	STRAP SKIRT	5711144097
44	56416527	2	HINGE RIGHT DOOR	5711144098
46	56416170	1	CHASSIS WELDMENT	
47	56416646	1	DEFLECTOR PROP ROD	5711144099
48	56416645	1	BRACKET SWITCH	5711144099
49	56002098	2	WSH FLT SAE 1/4	5711144000
50	56416650	1	GASKET	5711144099
51	56002832	3	NUT HEX NYL LOC THIN 10 24	5711144002
51	56409244	1	BACK UP ALARM KIT	5711144084
51	56416573	1	O/HEAD GUARD KITINS	5711144098
51	56416588	1	BEACON KIT	5711144098
51	56416601	1	BAR BATTERY LIFT OUT	5711144098
51	56416605	1	WEAR ITEM KIT 460OB	5711144098
51	56416697	1	BUMPER KIT 4600B INS	5711144099
51	56420143	1	ARMREST KIT	5711144106

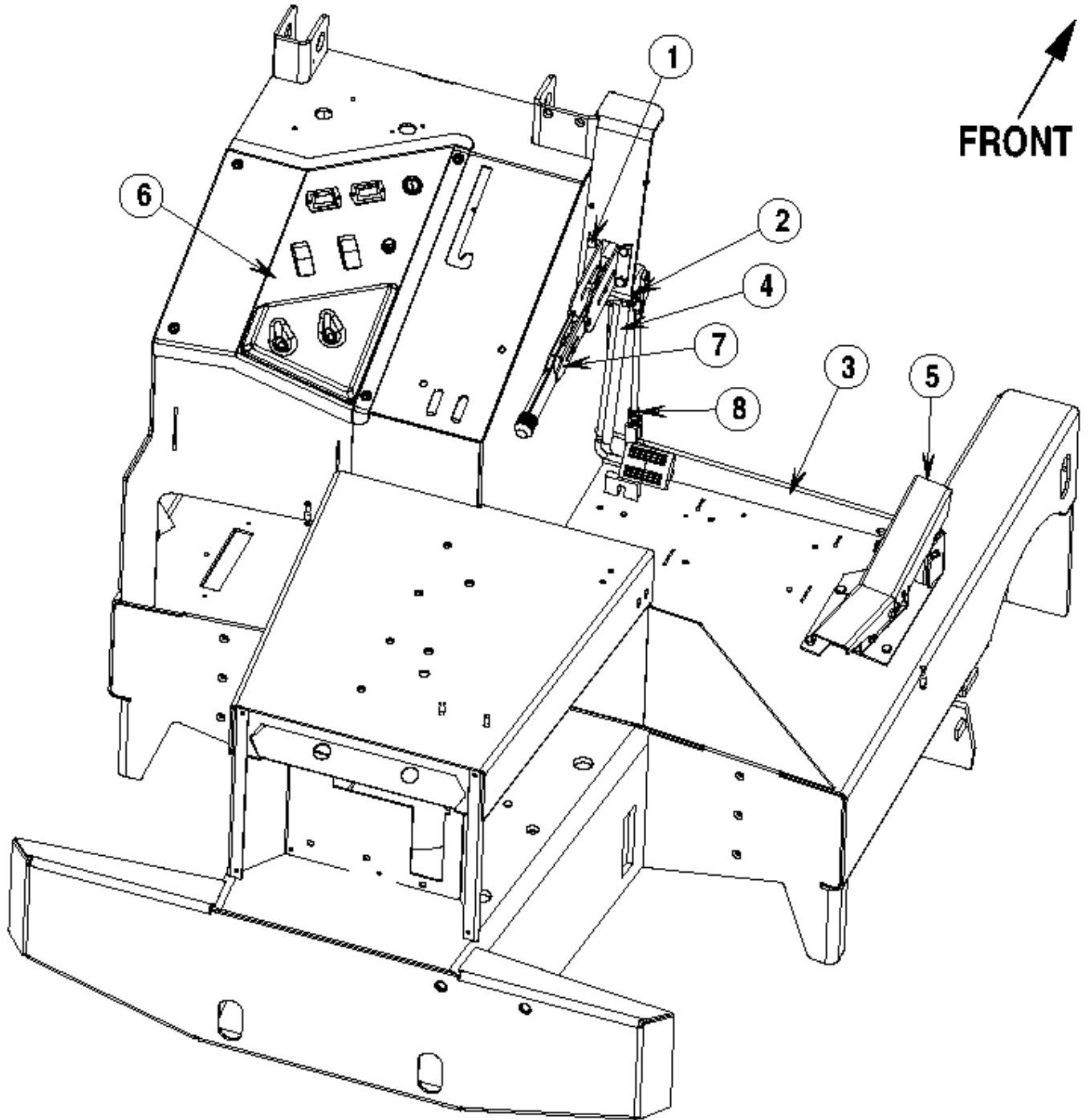
CONTROLS SYSTEM

SR 1600 B

27-02-2011

Part List ID
F3314

6



CONTROLS SYSTEM

SR 1600 B

27-02-2011

Part List ID

F3314

7

Pos	Part no.	Qty	Description	EAN
1	56002037	4	SCR HEX 5/16 18 X .88	5711144000
1	56002701	4	NUT HEX NYL LOC 5/16 18	5711144002
2	56003265	1	RING RET EXT TYPE E	5711144004
3	56416339	1	BRAKE YOKE ASSEMBLY	5711144097
4	56416343	1	BRAKE LEVER ASSEMBLY	5711144097
5	56416369	1	THROTTLE ASSEMBLY	5711144097
7	56448200	1	LEVER ASSY BRAKE CV618B	5711144107
8	56009103	1	NUT HEX JAM 3/8 24	5711144008

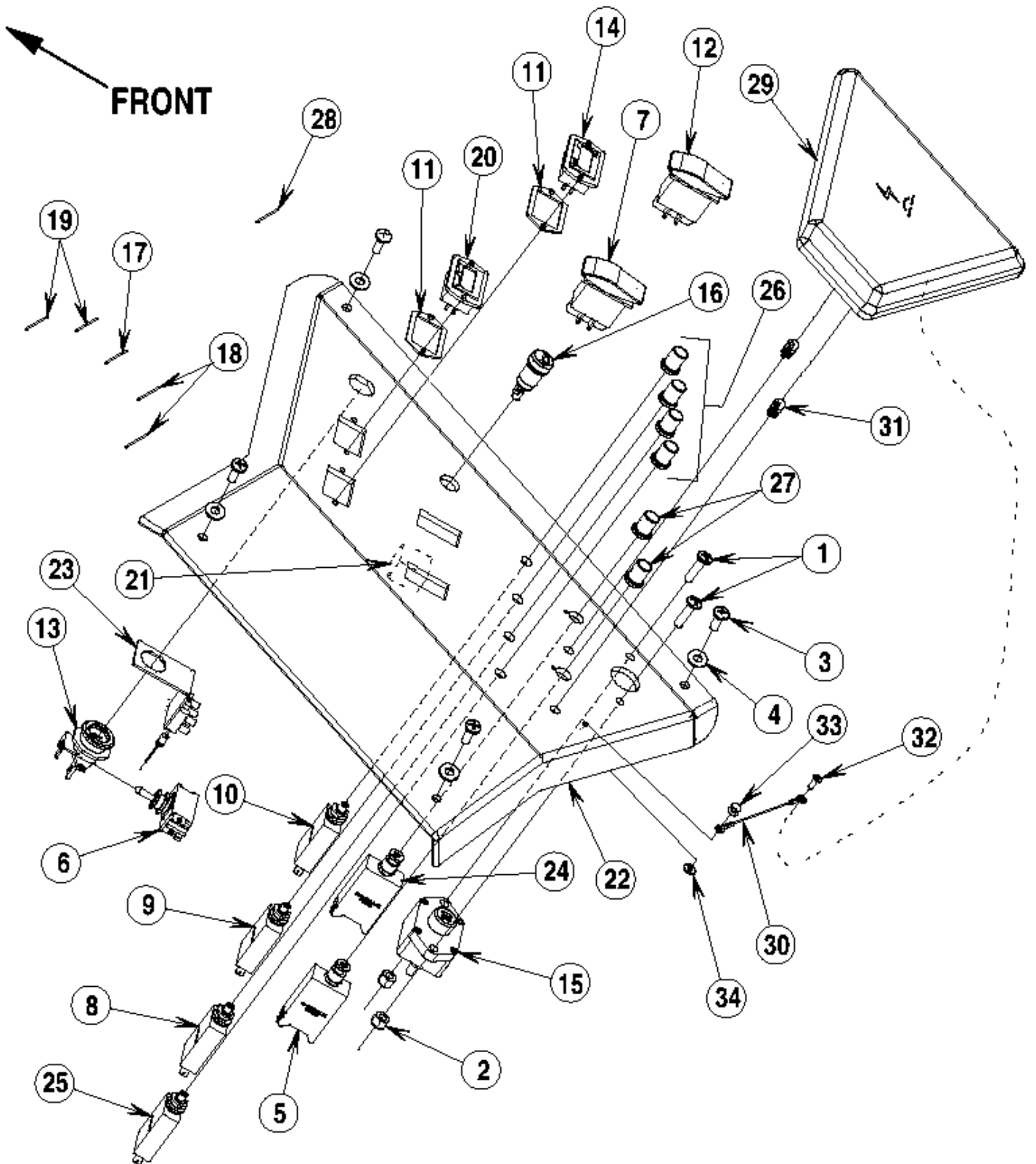
CONTROL PANEL ASSEMBLY

SR 1600 B

27-02-2011

Part List ID
F3316

8



CONTROL PANEL ASSEMBLY

SR 1600 B

27-02-2011

Part List ID

F3316

9

Pos	Part no.	Qty	Description	EAN
1	56002292	2	SCR PAN PHIL 1/4 20 X 1.00	5711144001
2	56002708	2	NUT HEX NYL LOC 1/4 20	5711144002
3	56009248	4	SCR PHIL THDFORM BLK1/4 20X.75	
4	56009249	4	WSH FLT SAE BLK 1/4	5711144008
5	56263260	1	CIRCUIT BREAKER 60A	5711144036
6	56301636	1	SWITCH TOGGLE	5711144040
7	56393312	1	SWITCH ROCKER	5711144075
8	56329177	1	CIRCUIT BREAKER 6A	5711144065
9	56387316	1	CIRCUIT BREAKER 10A	5711144071
10	56387328	1	CIRCUIT BREAKER 5A	5711144071
11	56392845	2	GASKET FUEL GAUGE	5711144074
12	56324272	1	SWITCH FOR AG 16	5711144063
13	56393325	1	BRACKET KEYLOCK	5711144075
13	56393415	1	KEY REPLACEMENT	5711144075
14	56393718	1	HOURMETER	5711144076
15	56409230	1	CIRCUIT BREAKER 80A	5711144084
16	56409692	1	SWITCH PUSH BUTTON	5711144085
17	56416126	1	HARNESS DASH	5711144096
18	56416151	2	WIRE ASSY 10 AWG RED	5711144097
19	56416152	2	WIRE ASSY 14 AWG RED	5711144097
20	56416395	1	FUEL GAUGE BATTERY	5711144097
21	56416416	1	RELAY MODULE ASSY	5711144098
22	56416423	1	PANEL CONTROL	5711144098
23	56183523	1	TERMINAL BLOCK	5711144029
23	56409228	1	DIODE	5711144084
23	56416424	1	DIODE BRKT. ASSY.	5711144098
23	56416425	1	BRACKET DIODE	5711144098
24	56452193	1	CIRCUIT BREAKER 40A	5711144108
25	56454538	1	CIRCUIT BREAKER 15A	5711144110
26	56459367	4	BOOT RESET BUTTON E00585	5711144115
27	56459368	2	BOOT RESET BUTTON E00585	5711144115
28	56260959	1	WIRE ASSY E00187	5711144035
29	56416635	1	COVER CIRCUIT BREAKER	5711144099
30	56416669	1	CABLE ASSEMBLY	5711144099
31	56416630	2	FASTENER BALL	5711144099
32	56009129	1	SCR PAN PHIL TYPE B 6X.38	5711144008
33	56003293	1	RIVET POP A/S .125 X .38/.50	5711144005
34	56002006	1	WSH FLT SAE 6	5711144000

BRAKE LEVER/ YOKE ASSEMBLIES

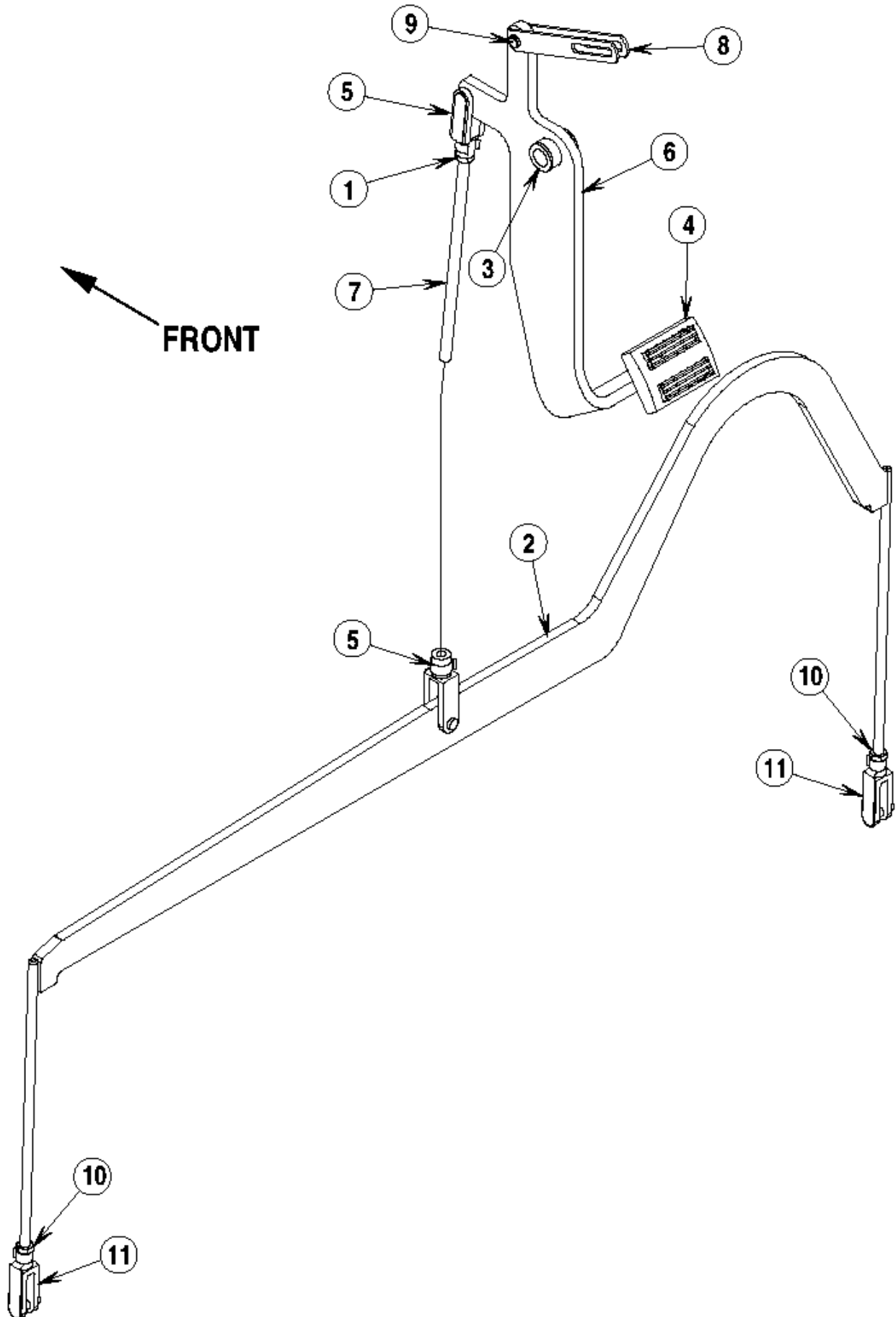
SR 1600 B

27-02-2011

Part List ID

F3318

10



BRAKE LEVER/ YOKE ASSEMBLIES

SR 1600 B

27-02-2011

Part List ID

F3318

11

Pos	Part no.	Qty	Description	EAN
1	56009103	1	NUT HEX JAM 3/8 24	5711144008
2	56416340	1	BRAKE YOKE WELDMENT	5711144097
3	56171095	2	BEARING FLANGE.625 E00201	5711144028
4	56365002	1	PAD RUBBER	5711144066
5	56416088	2	CLEVIS ASSEMBLY	5711144096
6	56416344	1	BRAKE LEVER WELDMENT	5711144097
7	56416345	1	ROD BRAKE	5711144097
8	56416348	2	LINKAGE HANDBRAKE	5711144097
9	56003144	1	PIN COT .06 X .50	5711144004
9	56455357	1	PIN	5711144111
10	56001884	2	NUT HEX JAM 5/16 24	5711144000
11	56416089	2	CLEVIS ASSEMBLY	5711144096

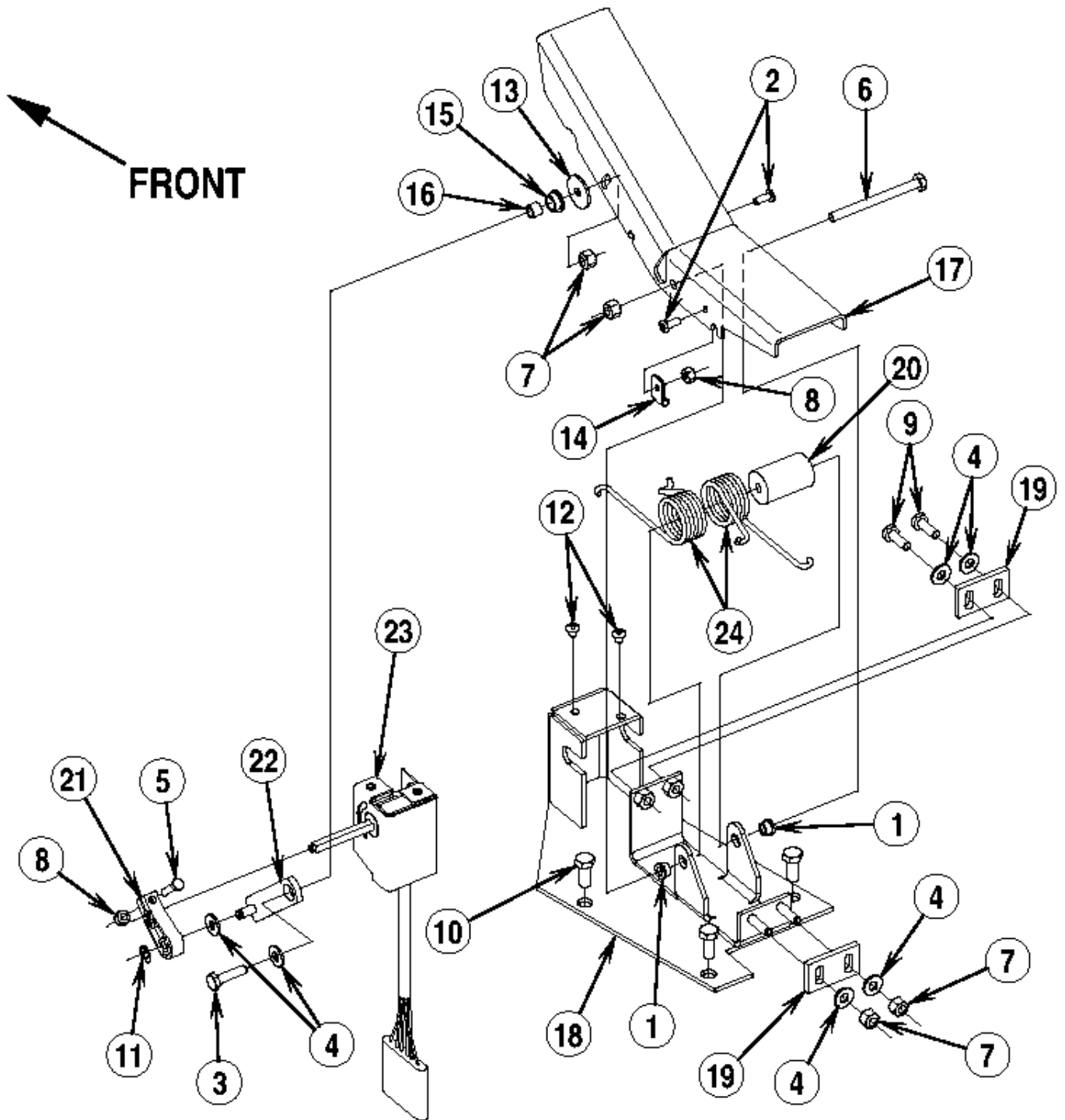
THROTTLE ASSEMBLY

SR 1600 B

27-02-2011

Part List ID
F33110

12



THROTTLE ASSEMBLY

SR 1600 B

27-02-2011

Part List ID

F33110

13

Pos	Part no.	Qty	Description	EAN
1	56756318	2	BEARING FLANGE .250 E00201	5711144144
2	56001993	2	SCREW 10 24 X 0.5 ZINC PL	5711144000
3	56002093	1	SCR HEX 1/4 20 X 1.00	5711144000
4	56002098	6	WSH FLT SAE 1/4	5711144000
5	56002425	1	SCR HEX 10 24 X .88	5711144001
6	56002603	1	SCR HEX 1/4 20 X 3.00	5711144001
7	56002708	4	NUT HEX NYL LOC 1/4 20	5711144002
8	56002832	4	NUT HEX NYL LOC THIN 10 24	5711144002
9	56002948	2	SCR HEX HP LOC 1/4 20 X 0.75	5711144003
10	56002956	3	SCR HEX LOC 5/16 18 X .75	5711144003
11	56003268	1	RING RET EXT TYPE E REINF	5711144004
12	56003479	2	SCR PAN PHIL M5 0.8X6MM	5711144005
13	56009060	1	WSH FLT SS .260X1.000X.074	5711144007
14	56220507	2	CLAMP CABLE .187 E00129	5711144033
15	56324505	1	BEARING FLANGE.376E00201	5711144064
16	56368989	1	BUSHING .25X.37X.30CV82G	5711144067
17	56409369	1	PEDAL WLMT. PAINT 03	5711144084
18	56409375	1	PEDAL MOUNT WLMT. PAINT 03	5711144084
19	56409377	2	PLATE SLIDE	5711144084
20	56409378	1	SPACER NYLON	5711144084
21	56409471	1	LEVER THROTTLE	5711144084
22	56409610	1	LINK WLDMT.	5711144085
23	56416169	1	THROTTLE ELECTRONIC	5711144097
24	56468243	2	SPRING IDLER	5711144122

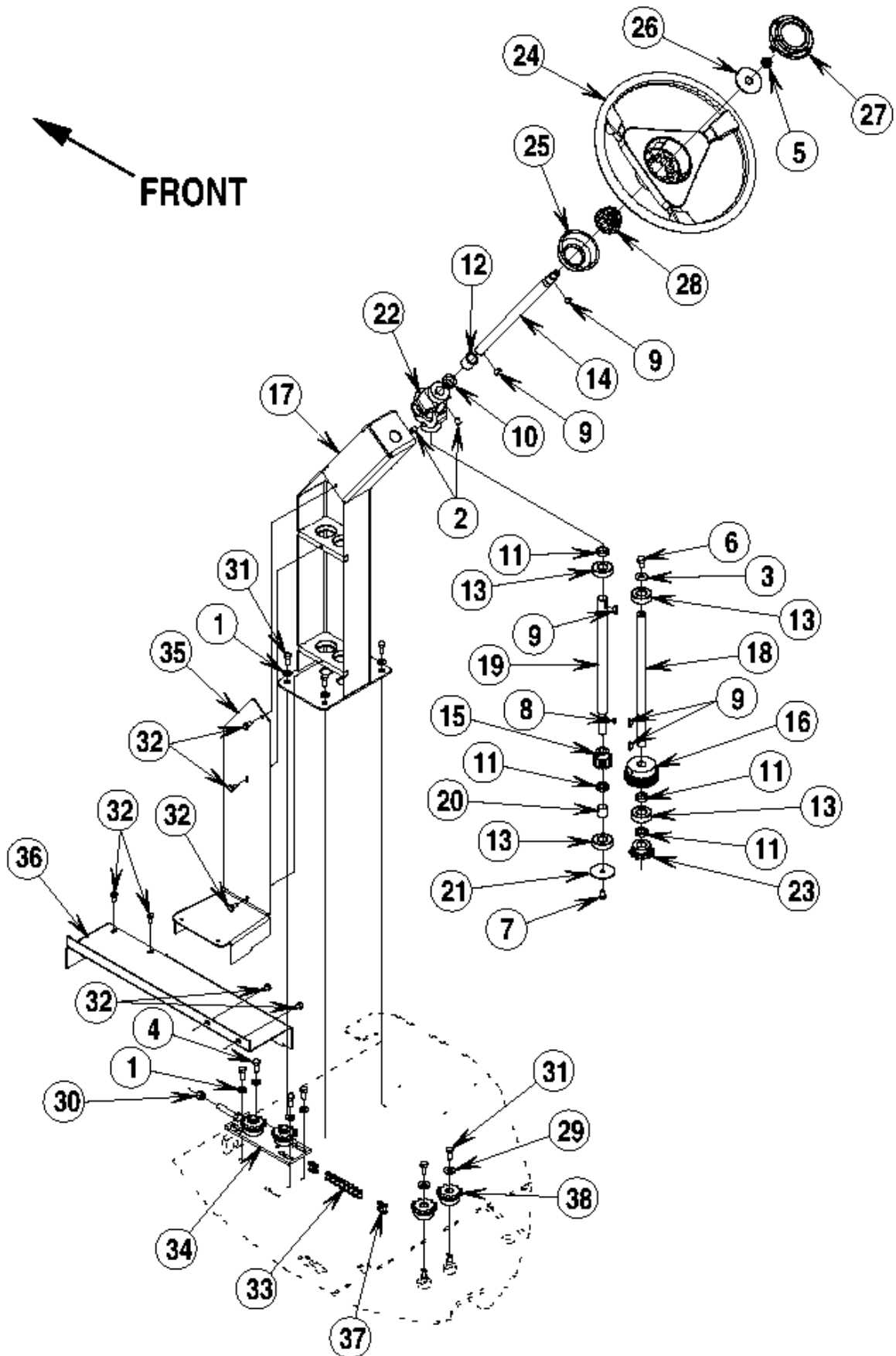
STEERING SYSTEM

SR 1600 B

27-02-2011

Part List ID
F33112

14



STEERING SYSTEM

SR 1600 B

27-02-2011

Part List ID
F33112

15

Pos	Part no.	Qty	Description	EAN
1	56001939	8	WSH FLT SAE 5/16	5711144000
2	56001958	2	SCR SOC SET LOC 3/8 16 X .50	5711144000
3	56002063	1	WSH FLT SAE 3/8	5711144000
4	56002956	4	SCR HEX LOC 5/16 18 X .75	5711144003
5	56002773	1	NUT HEX NYL LOC 1/2 20	5711144002
6	56003023	1	SCR HEX LOC 3/8 16 X .50	5711144003
7	56003039	1	SCR HEX LOC 1/4 20 X .50	5711144003
8	56003226	1	KEY WDF 404	5711144004
9	56003228	5	KEY WDF 606	5711144004
10	56250414	1	BEARING FLANGE .752FA1J E00201	5711144035
11	56366315	4	SPACER .75X1.0X.208CV21B	5711144066
12	56409755	1	BEARING SLEEVE	5711144085
13	56416038	4	BEARING BALL	5711144096
14	56416065	1	SHAFT UPPER	5711144096
15	56009084	2	SCR SOC SET LOC 10 24X.19	5711144008
15	56380480	1	GEAR SPUR	5711144069
16	56001841	2	SCR SOC SET LOC 1/4 20 X .25	5711144000
16	56416540	1	GEAR SPUR	5711144098
17	56416551	1	STEERING COLUMN WELDT	5711144098
18	56416554	1	SHAFT STEERING	5711144098
19	56416555	1	SHAFT STEERING	5711144098
20	56416557	1	SLEEVE	5711144098
21	56416558	1	RETAINER DISC	5711144098
22	56454081	1	U JOINT	5711144109
23	56001841	2	SCR SOC SET LOC 1/4 20 X .25	5711144000
23	56471148	1	SPROCKET H40B11 RE188C	5711144123
24	56497306	1	STEERING WHEEL	5711144126
25	56497308	1	CUP	5711144126
26	56497542	1	WASHER E00458	5711144126
27	56497543	1	CAP	5711144126
28	56497560	1	ADAPTER	5711144126
29	56001939	2	WSH FLT SAE 5/16	5711144000
30	56002769	1	NUT HEX NYL LOC 3/8 16	5711144002
31	56002956	6	SCR HEX LOC 5/16 18 X .75	5711144003
32	56009033	7	SCR HEX THD FORM 1/4 20X.50	5711144007
33	56416205	1	UPPER ROLLER CHAIN 81.5	5711144097
34	56001939	2	WSH FLT SAE 5/16	5711144000
34	56002956	2	SCR HEX LOC 5/16 18 X .75	5711144003
34	56416559	1	TENSIONER ASSY	5711144098
34	56416561	1	TENSIONER WELDT	5711144098
34	56454079	2	SPROCKET AY 40B11	5711144109

STEERING SYSTEM

SR 1600 B

27-02-2011

Part List ID F33112

16

Pos	Part no.	Qty	Description	EAN
35	56416571	1	GUARD CHAIN	5711144098
36	56416572	1	GUARD CHAIN	5711144098
37	56445096	2	LINK CONNECTOR 40 CV491W 1	5711144107
38	56101737	2	FITTING LUBE 1/4 28	5711144018
38	56454079	2	SPROCKET AY 40B11	5711144109

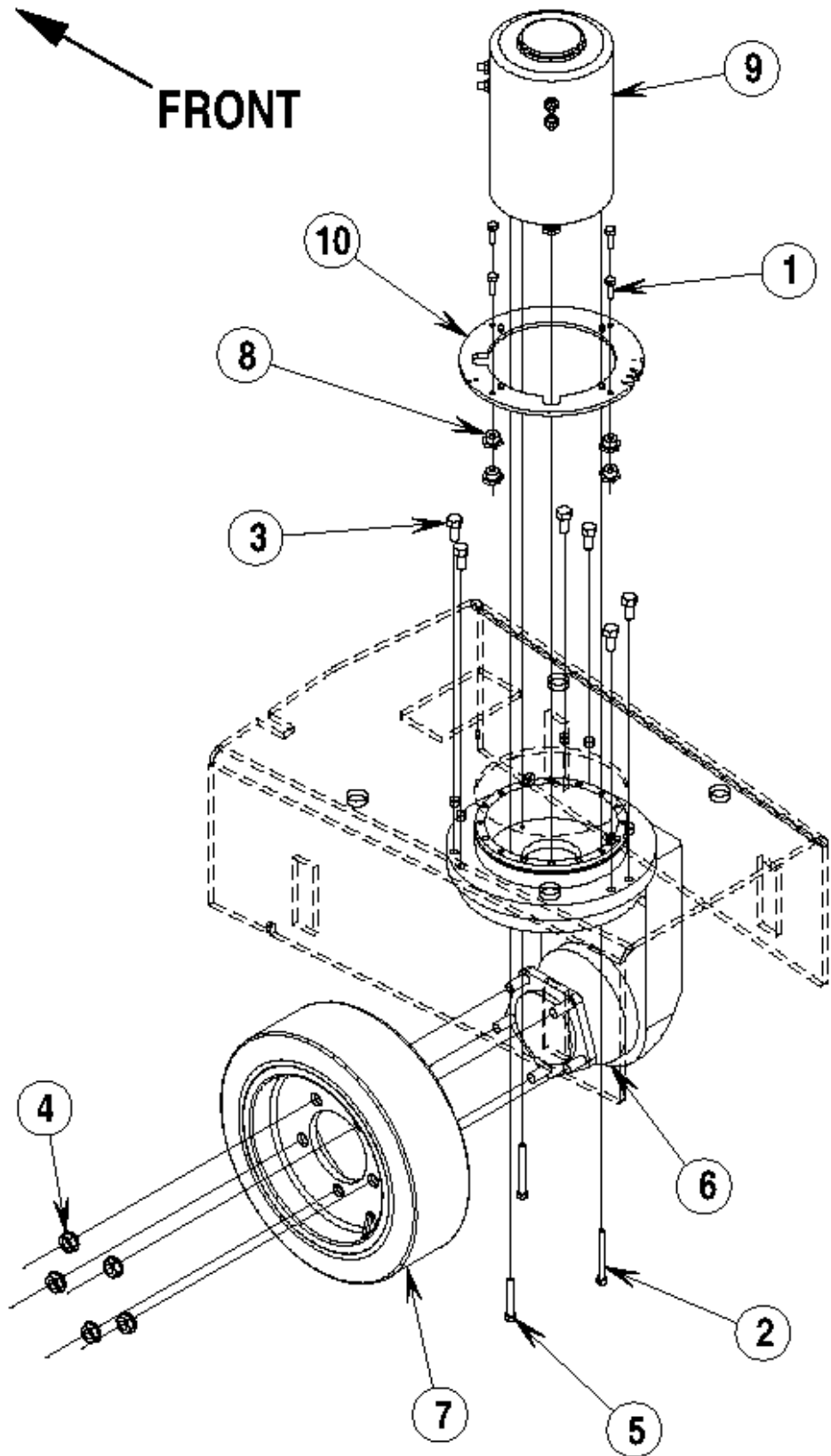
DRIVE WHEEL SYSTEM

SR 1600 B

27-02-2011

Part List ID
F33114

17



DRIVE WHEEL SYSTEM

SR 1600 B

27-02-2011

Part List ID

F33114

18

Pos	Part no.	Qty	Description	EAN
1	56002221	4	SCR HEX 5/16 18 X 1.00	5711144001
2	56003381	2	SCR HEX M8X1.25X80MM	5711144005
3	56003382	6	SCR HEX M12X1.75X25MM Machine outphased 2004	5711144005
4	56003384	5	NUT LUG M14X1.50	5711144005
5	56003398	1	SCR HEX M8X1.25X60MM	5711144005
6	56416024	1	GEARBOX DRIVE WHEEL	5711144096
6	56501001	1	OIL 90 GEAR LUBE. RE90	5711144126
7	56416058	1	REAR TIRE ASSEMBLY	5711144096
8	56416296	4	CLAMP STEERING	5711144097
9	56002711	1	SCR FLT PHIL 1/4 20 X .88	5711144002
9	56003083	1	SCR HEX LOC 1/2 13 X 1.00	5711144003
9	56409746	4	BRUSH SPRING	5711144085
9	56416167	1	MOTOR 36V DC 1.6HP	5711144097
9	56416297	1	WHEEL DRIVE MOTOR ASSY.	5711144097
9	56416299	1	O RING	5711144097
9	56416656	4	BRUSH MOTOR	5711144099
10	56416522	1	STEERING PLATE WLMT.	5711144098

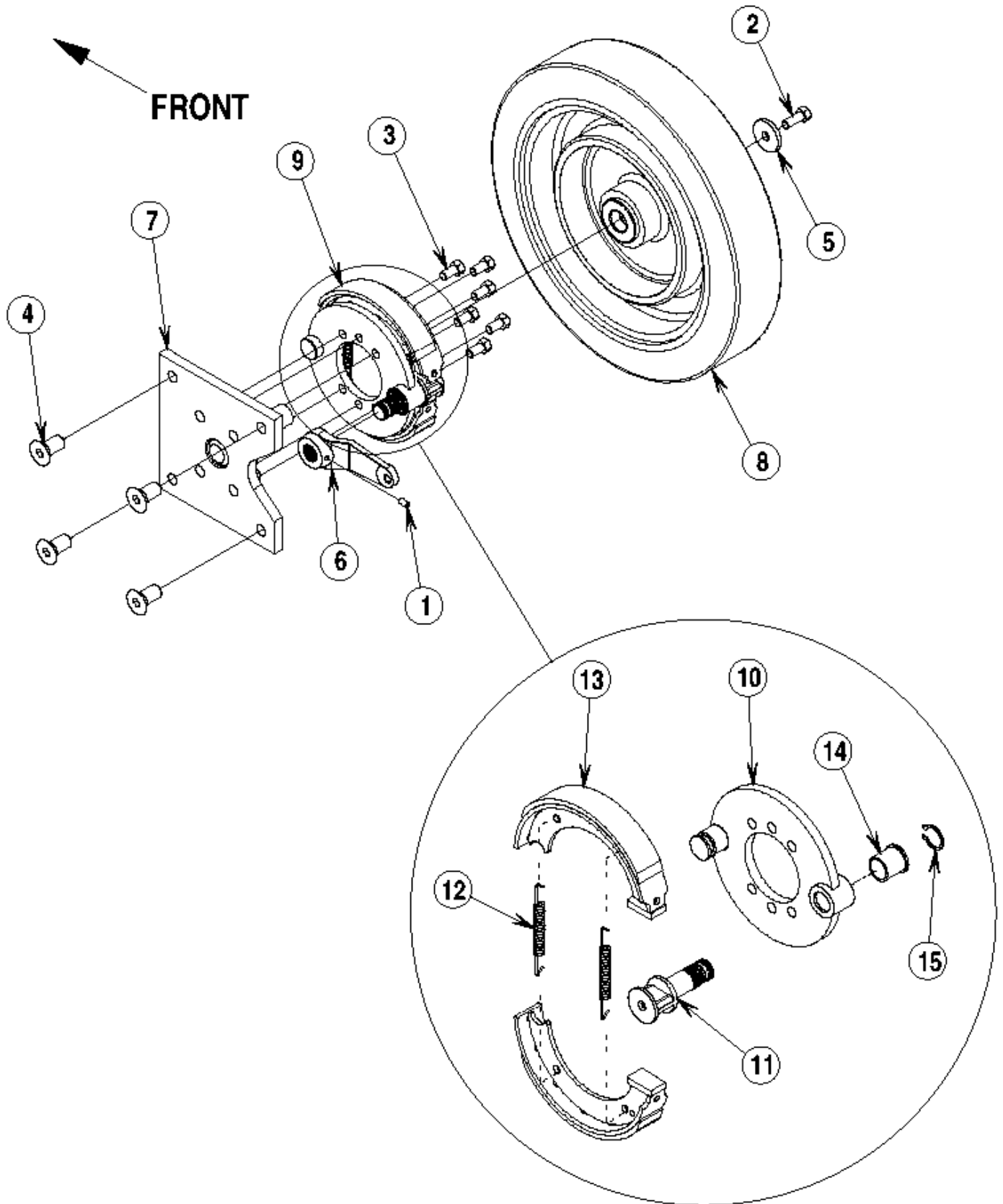
FRONT WHEEL SYSTEM

SR 1600 B

27-02-2011

Part List ID
F33116

19



FRONT WHEEL SYSTEM

SR 1600 B

27-02-2011

Part List ID

F33116

20

Pos	Part no.	Qty	Description	EAN
1	56002119	2	SCR SOC SET LOC 1/4 20 X .50	5711144000
2	56002947	2	SCR HEX LOC 3/8 16 X 1.00	5711144003
3	56003079	12	SCR HEX LOC 3/8 16 X .75	5711144003
4	56003399	8	SCR FLT SOC 5/8 11X1.25	5711144005
5	56367117	2	WSH FLT STEEL .406CV31C	5711144067
6	56416011	2	ARM BRAKE	5711144096
7	56416055	2	SPINDLE WELDMENT	5711144096
8	56416029	1	HUB FRONT	
8	56416111	1	TIRE FRONT	5711144096
8	56416112	2	WHEEL ASSEMBLY	5711144096
8	56479430	2	BEARING BALL .9843 RE470AG	5711144124
9	56463613	2	BRAKE ASSEMBLY	5711144121
10	56463612	1	PLATE WELDMENT	5711144121
11	56409683	1	CAM ASSEMBLY	5711144085
12	56409491	2	SPRING TENSION	5711144085
13	56418473	2	BRAKE SHOE	5711144101
14	56409472	1	BEARING FLANGE	5711144084
15	56003108	1	RING RET EXT. .75DIA	5711144004

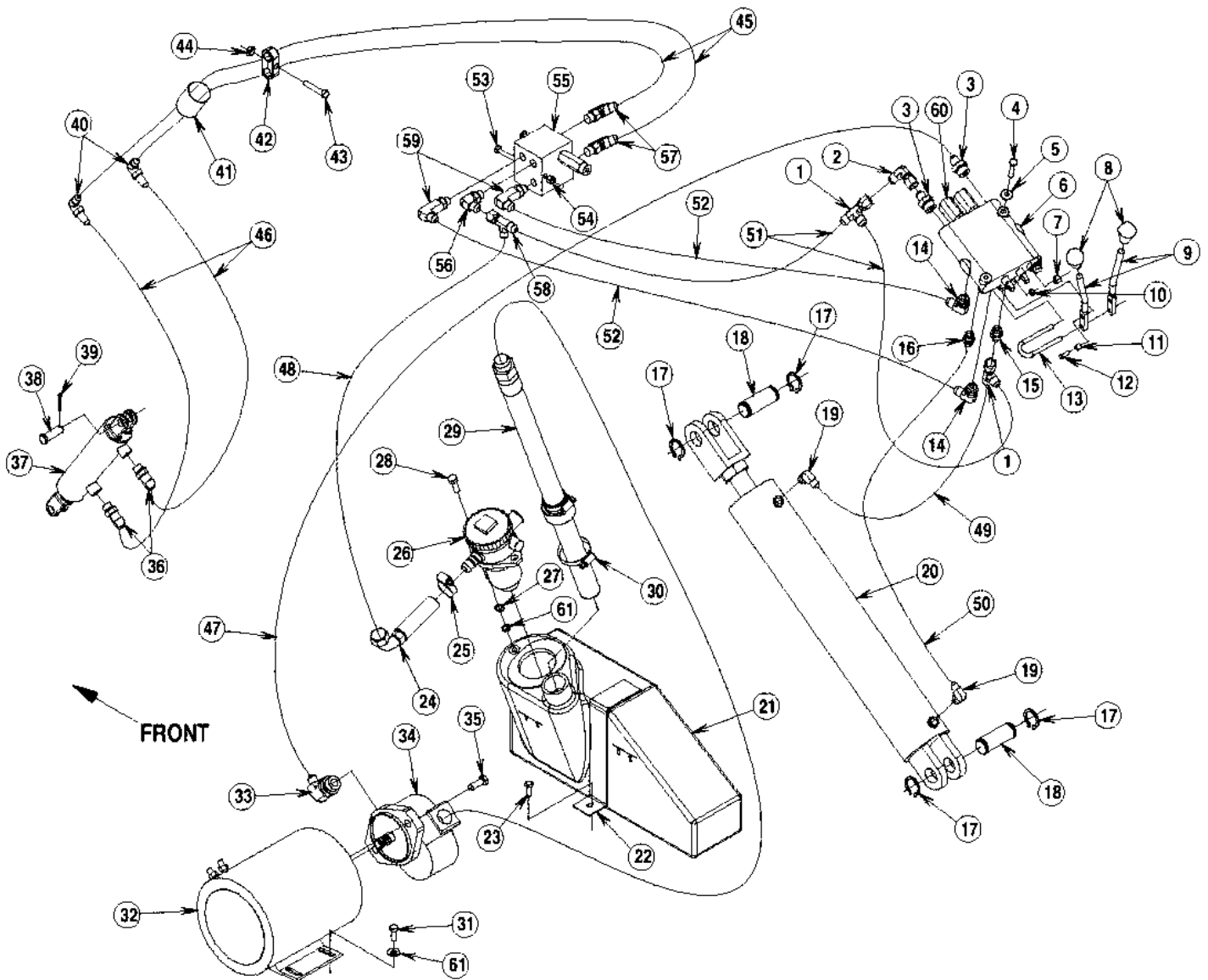
HYDRAULIC SYSTEM

SR 1600 B

27-02-2011

Part List ID
F33118

21



FORM NO. 56042347

HYDRAULIC SYSTEM

SR 1600 B

27-02-2011

Part List ID
F33118

22

Pos	Part no.	Qty	Description	EAN
0	56416063	1	DIRECTIONAL CONTROL VALVE ASSY	5711144096
1	56900343	2	TEE E00009	5711144145
2	56900303	1	ELBOW 90D W/NUT 6C6X S E00007	5711144145
3	56900013	2	CONNECTOR O/R 6 8 E00001	5711144145
4	56001874	2	SCR HEX 1/4 20 X 2.00	5711144000
5	56002098	2	WSH FLT SAE 1/4	5711144000
6	56416032	1	VALVE DIRECTIONAL CONTROL	5711144096
7	56002708	3	NUT HEX NYL LOC 1/4 20	5711144002
8	56378534	2	KNOB 1.12X3/8 16 CR29C	5711144068
10	56002832	2	NUT HEX NYL LOC THIN 10 24	5711144002
11	56416394	2	BUSHING	5711144097
12	56002504	2	SCR HEX 10 24 X .75	5711144001
13	56416246	1	U CLIP VALVE	5711144097
14	56900103	2	ELBOW 90 DEG O/R 6 E00003	5711144145
15	56900003	1	CONNECTOR O/R 6 E00001	5711144145
16	56416120	1	LIFT CYLINDER ASSY	5711144096
16	56900011	1	CONNECTOR 4 6 E00001	5711144145
17	56003258	4	RING RET EXT	5711144004
18	56418625	2	PIN CYLINDER SHORT	5711144101
19	56900101	2	ELBOW 90 DEG.O/R 4 E00003	5711144145
20	56100038	1	CYLINDER HYD	5711144018
20	56416095	1	HYDRAULIC RESERVOIR ASSY	5711144096
21	56416094	1	RESERVOIR HYDRAULIC	5711144096
22	56416509	1	STRAP HOLD DOWN	5711144098
23	56009018	1	SCR HEX THD FORM 1/4 20X .75	5711144007
24	56416480	1	HOSE CONNECTOR ASSY	5711144098
25	56244969	1	CLAMP HOSE SAE 12 E00047	5711144034
26	56416090	1	INTANK FILTER ASSY	5711144096
26	56416302	1	FILTER ELEMENT	5711144097
26	56416303	1	BREATHER ELEMENT	
28	56002221	2	SCR HEX 5/16 18 X 1.00	5711144001
29	56131601	1	CLAMP HOSE SAE 16 E00047	5711144028
29	56416083	1	SUCTION HOSE ASSY	5711144096
29	56416321	1	BOOT DUST	5711144097
29	56416478	1	SUCTION HOSE ASSY	5711144098
30	56329145	1	CLAMP HOSE SAE 24 E00047	5711144065
30	56416430	1	HYDRAULIC PUMP/MOTOR ASSY	5711144098
31	56002667	4	SCR HEX 5/16 18 X .75	5711144002
32	56416203	1	MOTOR 2.5 HP	5711144097
32	56416609	1	BRUSH RING ASSY	
33	56900113	1	ELBOW 90 DEG.O/R	5711144145

HYDRAULIC SYSTEM

SR 1600 B

27-02-2011

Part List ID

F33118

23

Pos	Part no.	Qty	Description	EAN
34	56416030	1	PUMP GEAR	5711144096
35	56002254	2	SCR HEX 3/8 24 X 1.25	5711144001
35	56416121	1	HOPPER DOOR CYLINDER ASSY	5711144096
36	56900110	2	ELBOW 90DEG O/R 4 6 E00003	5711144145
37	56416202	1	CYLINDER HYDRAULIC	5711144097
38	56486733	2	PIN .5 X 1.5	5711144125
39	56002529	2	PIN COT .12 X 1.00	5711144001
40	56900401	2	ELBOW UNION 4 E00012	5711144145
41	56416490	1	SLEEVE	5711144098
42	56492753	1	CLAMP 10 DBL. E00126	5711144126
43	56001833	1	SCR HEX 1/4 20 X 1.50	5711144000
44	56002708	1	NUT HEX NYL LOC 1/4 20	5711144002
45	56416483	2	HYDRAULIC HOSE ASSY	5711144098
46	56416484	2	HYDRAULIC HOSE ASSY	5711144098
47	56416485	1	HYDRAULIC HOSE ASSY	5711144098
48	56416481	1	HYDRAULIC HOSE ASSY	5711144098
49	56416486	1	HYDRAULIC HOSE ASSY	5711144098
50	56416487	1	HYDRAULIC HOSE ASSY	5711144098
51	56416488	2	HYDRAULIC HOSE ASSY	5711144098
52	56416122	1	CHECK VALVE ASSY	5711144096
52	56416489	2	HYDRAULIC HOSE ASSY	5711144098
53	56002603	2	SCR HEX 1/4 20 X 3.00	5711144001
54	56002708	2	NUT HEX NYL LOC 1/4 20	5711144002
55	56416056	1	VALVE CYLINDER RELIEF	
56	56900103	1	ELBOW 90 DEG O/R 6 E00003	5711144145
57	56900153	2	ELBOW 45 DEG.O/R 6 E00004	5711144145
58	56900343	1	TEE E00009	5711144145
59	56900523	2	ELBOW 90 LG O RING 6 E00017	5711144146
60	56416657	2	SWITCH KIT REPLACEMENT	
61	56001939	6	WSH FLT SAE 5/16	5711144000

HOPPER SYSTEM

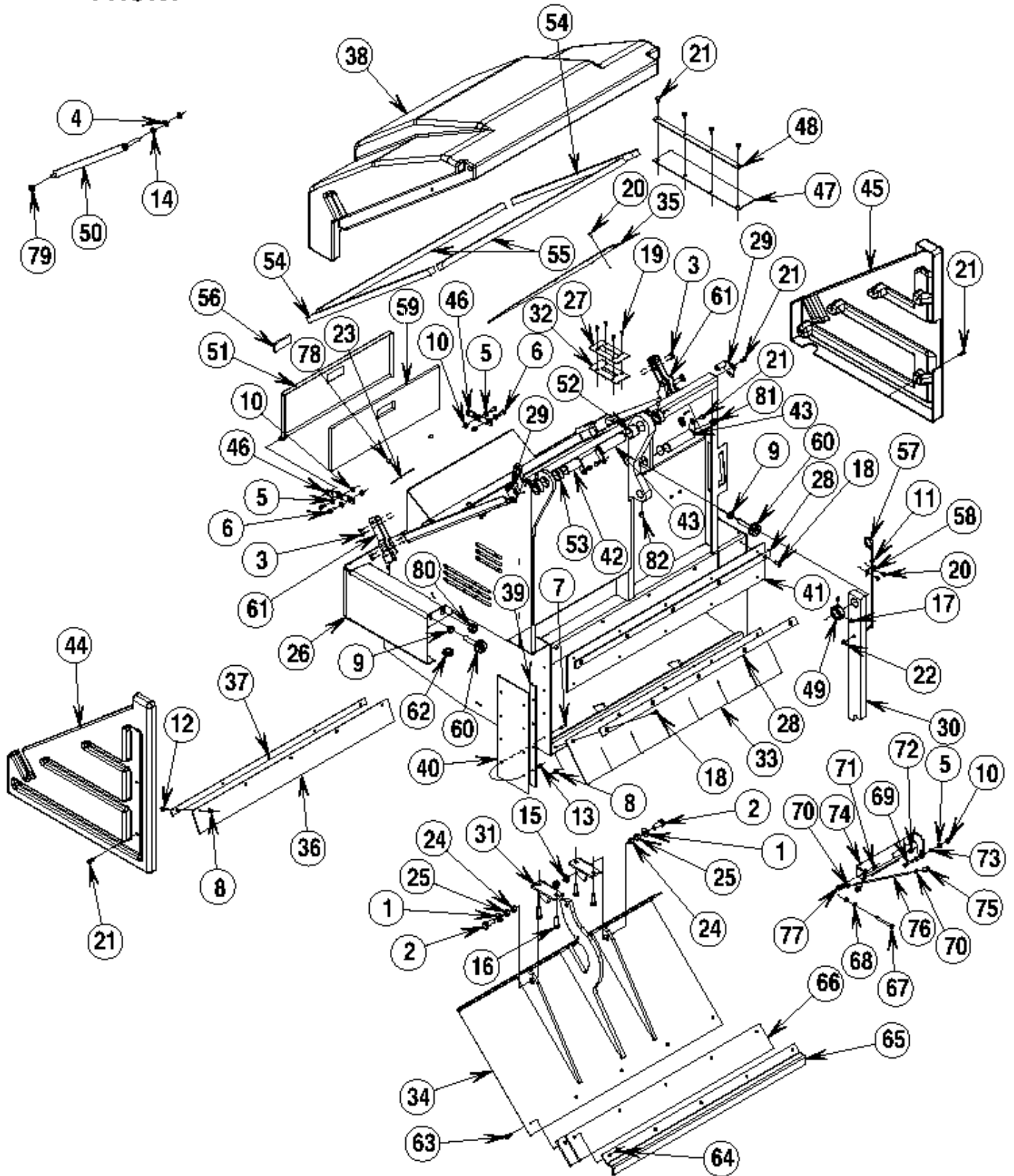
SR 1600 B

27-02-2011

Part List ID
F33120

24

FRONT



HOPPER SYSTEM

SR 1600 B

27-02-2011

Part List ID

F33120

25

Pos	Part no.	Qty	Description	EAN
1	56001879	2	WSH FLT SAE 1/2	5711144000
3	56002043	4	SCR PAN PHIL 10 24 X .38	5711144000
4	56002063	1	WSH FLT SAE 3/8	5711144000
5	56002098	7	WSH FLT SAE 1/4	5711144000
6	56002155	4	SCR HEX 1/4 20 X .75	5711144001
7	56002417	4	SCR FLT PHIL 10 24 X .88	5711144001
8	56002491	15	NUT HEX NYL LOC SS 1/4 20	5711144001
9	56002770	2	NUT HEX NYL LOC 1/2 13	5711144002
10	56002708	4	NUT HEX NYL LOC 1/4 20	5711144002
11	56416666	1	BEARING NYLON	5711144099
12	56002807	5	SCR HEX SS 1/4 20 X .75	5711144002
13	56002836	4	NUT HEX NYL LOC SS 10 24	5711144002
14	56002769	2	NUT HEX NYL LOC 3/8 16	5711144002
15	56002843	2	NUT HEX NYL LOC THIN 1/2 13	5711144002
16	56002947	4	SCR HEX LOC 3/8 16 X 1.00	5711144003
17	56003081	6	SCR SOC SET LOC 3/8 16 X .38	5711144003
18	56002711	10	SCR FLT PHIL 1/4 20 X .88	5711144002
19	56009082	4	SCR PANPHILTHD FORMBLK10 24X.5	5711144008
20	56009030	14	SCR PAN PHIL THD FOM 10 24X.38	5711144007
21	56009033	22	SCR HEX THD FORM 1/4 20X.50	5711144007
22	56009132	1	NUT PUSH CAP 1/4	5711144008
23	56330682	1	GASKET 1/16X1/2X120HC525F	5711144065
24	56360627	2	BUSHING .50X.62X.41CT32G	5711144066
25	56370878	2	BEARING SLEEVE .627CV213FE0202	5711144067
26	56416240	1	HOPPER WELDMENT	5711144097
27	56416241	1	PLATE BOOT	5711144097
28	56416242	2	STRAP HOPPER	5711144097
29	56416247	2	HINGE WLMT. HOPPER COVER	5711144097
30	56416250	1	HOPPER PROP	5711144097
31	56416253	2	HINGE WELDMENT	5711144097
32	56416257	1	BOOT HOPPER	5711144097
33	56416258	1	SKIRT HOPPER	5711144097
33	56416267	1	HOPPER DOOR ASSY.	5711144097
34	56416262	1	DOOR WELDMENT	5711144097
35	56416268	1	PANEL ACCESS	5711144097
36	56416271	1	BLADE HOPPER FABRIC	5711144097
37	56416273	1	STRAP BLADE	5711144097
38	56416275	1	COVER HOPPER	5711144097
39	56416291	1	STRAP VERTICAL	5711144097
40	56416293	1	SEAL VERTICAL	5711144097
41	56416294	1	SEAL HORIZONTAL	5711144097

HOPPER SYSTEM

SR 1600 B

27-02-2011

Part List ID
F33120

26

Pos	Part no.	Qty	Description	EAN
42	56416308	1	HINGE PIN WLMT. LEFT	5711144097
43	56416309	2	HINGE PIN WLMT. RIGHT	5711144097
44	56416319	1	PANEL LEFT	5711144097
45	56416320	1	PANEL RIGHT	5711144097
46	56416365	2	PLATE HINGE	5711144097
47	56416459	1	BLADE HOPPER FABRIC	5711144098
48	56416460	1	STRAP	5711144098
49	56416498	3	COLLAR HOPPER HINGE	5711144098
50	56416512	1	PROP ROD WELDMENT	5711144098
51	56416518	1	LITTER DOOR WELDMENT	5711144098
52	56416535	1	BEARING SLEEVE	5711144098
53	56416536	1	BEARING SLEEVE	5711144098
54	56416541	2	GASKET	5711144098
55	56416542	2	GASKET	5711144098
56	56416586	1	LATCH LIFT AND TURN	5711144098
57	56416590	1	ROD PULL	5711144098
58	56416592	1	GUIDE PULL ROD	5711144098
59	56416617	1	GASKET LITTER DOOR	5711144099
60	56449221	2	BUMPER 1.43 DIA. CV660N	5711144107
61	56462746	2	LATCH	5711144119
62	56760212	2	GROMMET 1.000 E00059	5711144144
63	56002901	5	SCR HEX SS 1/4 20 X 1.50	5711144003
64	56002491	5	NUT HEX NYL LOC SS 1/4 20	5711144001
65	56416264	1	ANGLE Z	5711144097
66	56416263	2	BLADE HOPPER GUM	5711144097
67	56002397	1	SCR HEX 1/4 20 X 2.75	5711144001
68	56009087	2	NUT HEX JAM 1/4 20	5711144008
69	56001878	1	SCR HEX 1/4 20 X 1.25	5711144000
70	56003053	2	NUT HEX NYL LOC THIN 10 32	5711144003
71	56002873	1	NUT HEX NYL LOC 10 32	5711144002
72	56416665	2	BEARING NYLON	5711144099
73	56379298	1	BUSHING .25X.37X.21CR211H	5711144068
75	56416641	1	NUT	5711144099
76	56416642	1	ROD	5711144099
77	56488290	1	ROD END	5711144125
78	56416668	2	BUMPER SELF ADHESIVE	5711144099
79	56009123	1	NUT PUSH CAP 3/8	5711144008
80	56453254	1	GROMMET E00059	5711144108
81	56323067	2	STRAIN RELIEF E00220	5711144062
82	56002021	1	SCR SOC SET LOC 5/16 18 X .38	5711144000
82	56416128	1	HARNES HOPPER	5711144096

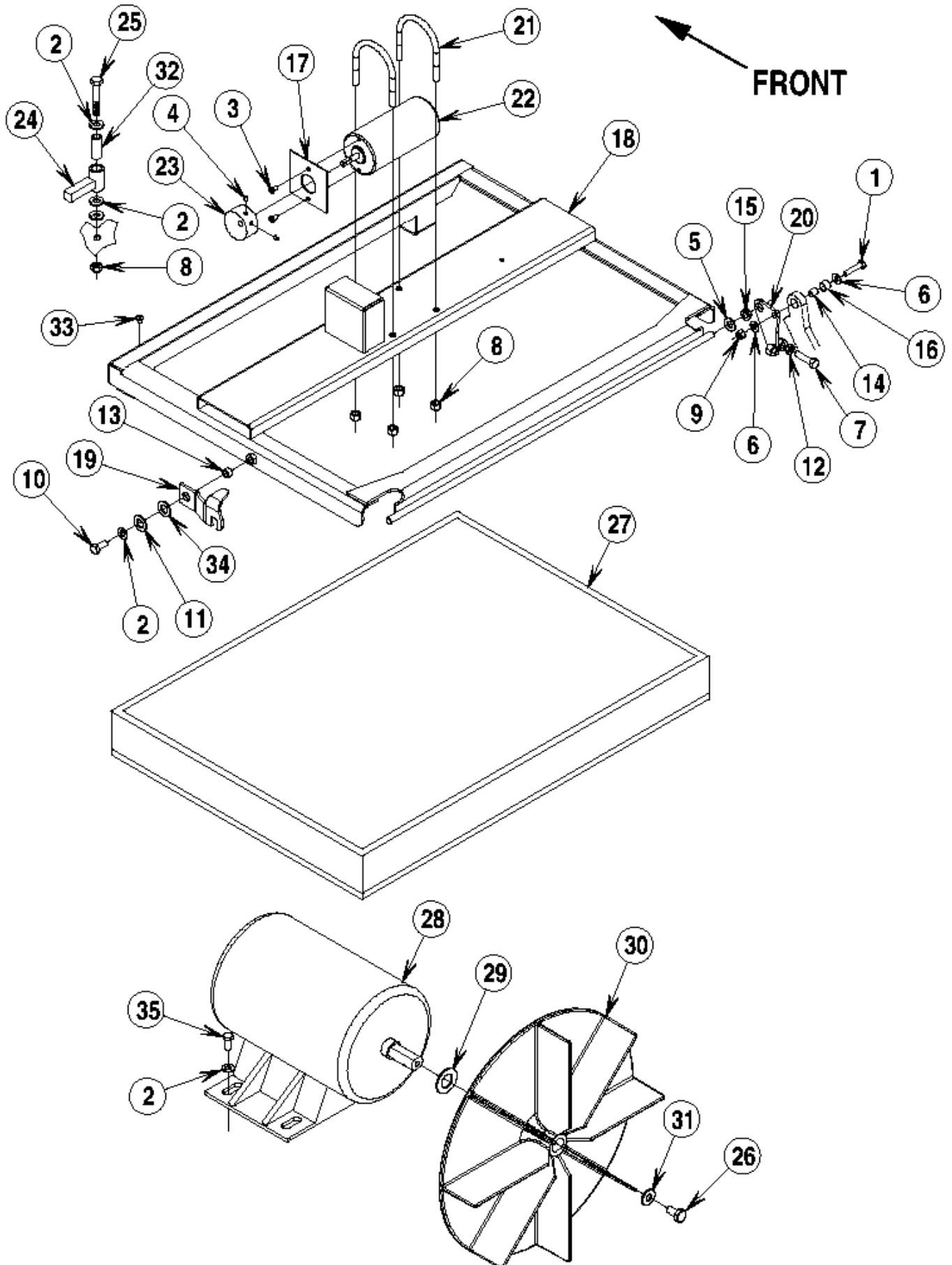
DUST CONTROL SYSTEM

SR 1600 B

27-02-2011

Part List ID
F33122

27



DUST CONTROL SYSTEM

SR 1600 B

27-02-2011

Part List ID

F33122

28

Pos	Part no.	Qty	Description	EAN
1	56002093	2	SCR HEX 1/4 20 X 1.00	5711144000
2	56001939	11	WSH FLT SAE 5/16	5711144000
3	56002001	2	SCR PAN PHIL 10 32 X .38	5711144000
4	56009084	2	SCR SOC SET LOC 10 24X.19	5711144008
5	56002063	2	WSH FLT SAE 3/8	5711144000
6	56002098	4	WSH FLT SAE 1/4	5711144000
7	56002368	2	SCR HEX THD/HD 5/16 18 X 1.75	5711144001
8	56002701	6	NUT HEX NYL LOC 5/16 18	5711144002
9	56002708	2	NUT HEX NYL LOC 1/4 20	5711144002
10	56002956	5	SCR HEX LOC 5/16 18 X .75	5711144003
11	56009003	1	WSH FLT .516X.938X.075	5711144007
12	56009086	2	NUT HEX JAM 5/16 18	5711144008
13	56320595	1	BUSHING .31X.50X.28HC18M	5711144062
14	56321532	2	BUSHING .25X.37X.40HC42C	5711144062
15	56416675	2	BUSHING FLANGE	5711144099
16	56370754	2	BEARING SLEEVE .379CV211KE0202	5711144067
17	56416280	1	SHIELD SHAKER	5711144097
18	56416289	1	FILTER CLAMP WLMT	5711144097
19	56416511	1	LATCH SHAKER	5711144098
20	56416625	2	SHAKER HINGE WELDT	5711144099
21	56468329	2	U BOLT	5711144122
22	56467307	1	MOTOR ASSY	5711144122
23	56416671	1	ECCENTRIC	5711144099
24	56416674	2	FILTER CLAMP WELDMT	5711144099
25	56002721	2	SCR HEX 5/16 18 X 2.00	5711144002
26	56003039	1	SCR HEX LOC 1/4 20 X .50	5711144003
27	56416618	1	FILTER ASSY	5711144099
28	56416020	1	MOTOR .33HP	5711144096
28	56416595	2	SET OF 2 MOTOR BRUSHES	5711144098
29	56416613	1	WASHER FLT SS .563 x 1.00x.060	5711144099
30	56416021	1	IMPELLER	5711144096
31	56002098	1	WSH FLT SAE 1/4	5711144000
32	56300241	2	BUSHING .33X.50X1.3HA515A	5711144040
33	56002043	2	SCR PAN PHIL 10 24 X .38	5711144000
34	56009001	1	WSH BOWED .516X.906X.008	5711144007
35	56003073	4	SCR HEX LOC 5/16 18 X 1.00	5711144003

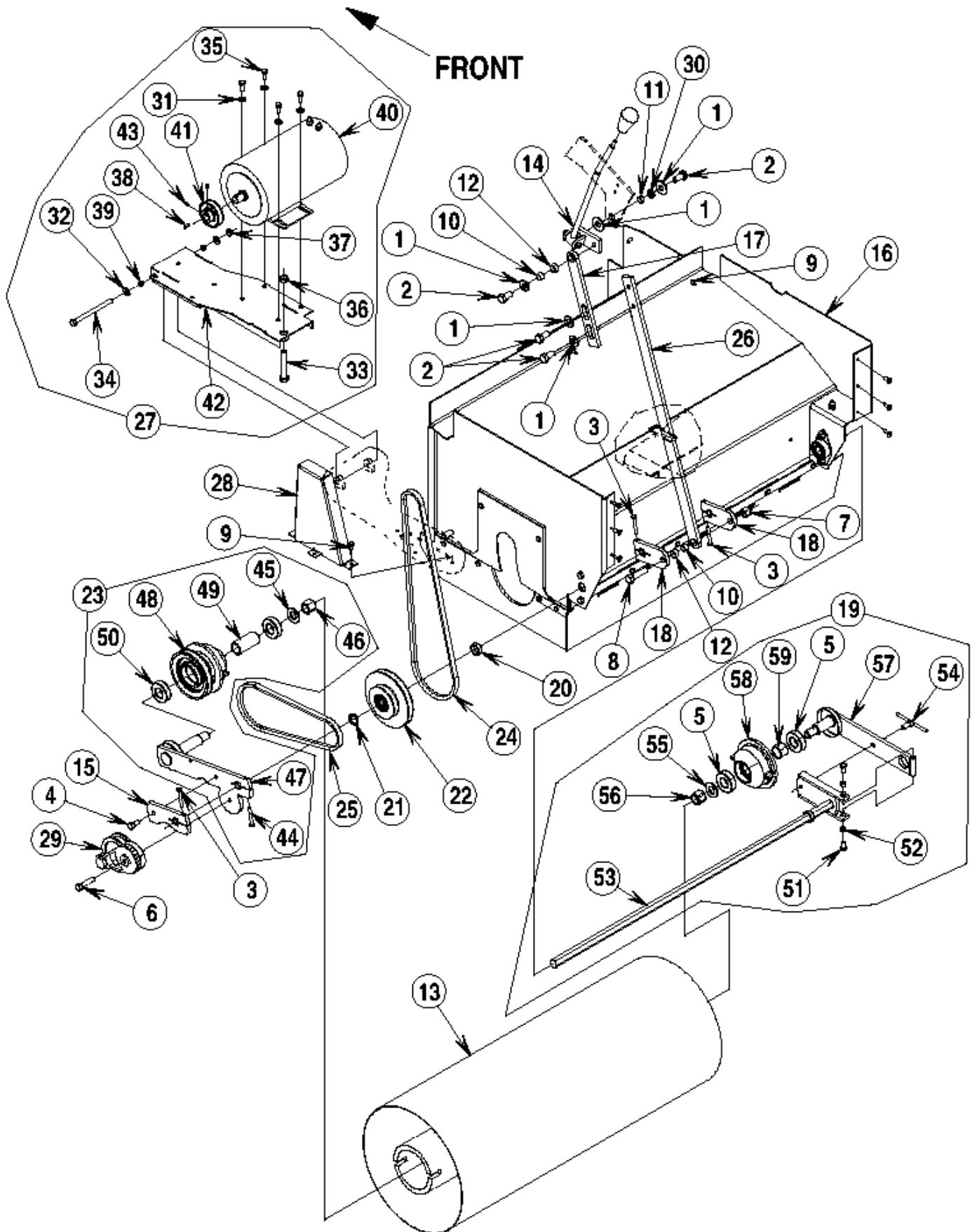
MAIN BROOM SYSTEM

SR 1600 B

27-02-2011

Part List ID
F33124

29



MAIN BROOM SYSTEM

SR 1600 B

27-02-2011

Part List ID

F33124

30

Pos	Part no.	Qty	Description	EAN
1	56001879	5	WSH FLT SAE 1/2	5711144000
2	56001895	4	SCR HEX 1/2 13 X 1.00	5711144000
3	56003484	3	SCR HEX GRD8 1/4 20 X 1.75	5711144005
4	56002663	1	SCR HEX 3/8 16 X 1.00	5711144002
5	56479430	2	BEARING BALL .9843 RE470AG	5711144124
6	56002684	1	SCR HEX 3/8 16 X 1.75	5711144002
7	56002770	1	NUT HEX NYL LOC 1/2 13	5711144002
8	56002983	1	SCR HEX 1/2 13 X 2.00	5711144003
9	56009033	3	SCR HEX THD FORM 1/4 20X.50	5711144007
10	56360627	2	BUSHING .50X.62X.41CT32G	5711144066
11	56365030	1	BUSHING CA334D	5711144066
12	56370878	2	BEARING SLEEVE .627CV213FE0202	5711144067
13	56416093	1	BROOM MAINPL	5711144096
13	56416663	1	BROOM MAIN PROEXPL	5711144099
13	56416664	1	BROOM MAINPL	5711144099
14	56002035	2	SCR HEX 5/16 18 X .62	5711144000
14	56320595	2	BUSHING .31X.50X.28HC18M	5711144062
14	56364527	1	KNOB 1.62X5/16 18 CA331 1	5711144066
14	56416096	1	MAIN BROOM LEVER ASSY.	5711144096
14	56487929	1	LEVER WLDMT	5711144125
15	56416101	1	ARM HEX ARM	5711144096
16	56416351	1	SCROLL ASSEMBLY	5711144097
17	56416372	1	LINK LIFT	5711144097
18	56416373	2	SHAFT LIFT	5711144097
19	56416375	1	BROOM ARM ASSY.	5711144097
20	56416376	1	SPACER SHAFT	5711144097
21	56416377	1	SPACER SHAFT	5711144097
22	56416087	2	BEARING RADIAL HEX BORE	5711144096
22	56416288	1	PULLEY IDLER	5711144097
22	56416384	1	IDLER PULLEY ASSY.	5711144097
23	56416385	1	DRIVE LUG ASSY	5711144097
24	56416391	1	BELT BROOM MOTOR	5711144097
25	56416392	1	BELT BROOM IDLER	5711144097
26	56416456	1	LINK LIFT	5711144098
27	56416492	1	BROOM MOTOR ASSY.	5711144098
28	56416528	1	BELT GUARD	5711144098
29	56416574	1	IDLER BELT	5711144098
30	56478781	1	BEARING SLEEVE .627RE450CE0202	5711144124
31	56001939	4	WSH FLT SAE 5/16	5711144000
32	56002063	2	WSH FLT SAE 3/8	5711144000
33	56002217	1	SCR HEX THD/HD 1/2 13 X 3.00	5711144001

MAIN BROOM SYSTEM

SR 1600 B

27-02-2011

Part List ID

F33124

31

Pos	Part no.	Qty	Description	EAN
34	56002506	1	SCR HEX 3/8 16 X 5.00	5711144001
35	56002667	4	SCR HEX 5/16 18 X .75	5711144002
36	56002770	1	NUT HEX NYL LOC 1/2 13	5711144002
37	56002769	1	NUT HEX NYL LOC 3/8 16	5711144002
38	56003238	1	KEY SQ .19 X .78	5711144004
39	56385356	2	BUSHING .38X.50X.19CL267A	5711144071
40	56416033	1	MOTOR 1.5HP	5711144096
41	56416360	1	PULLEY MOTOR	5711144097
42	56416493	1	BROOM MOTOR BRKT. WLMT.	5711144098
43	56002086	2	SCR SOC SET LOC 5/16 18 X .25	5711144000
44	56003484	1	SCR HEX GRD8 1/4 20 X 1.75	5711144005
45	56002141	1	WSH FLT SAE 3/4	5711144001
46	56002862	1	NUT HEX NYL LOC 3/4 10	5711144002
47	56416386	1	BROOM ARM WLMT.	5711144097
48	56001980	3	PIN SPR .25 X 1.50	5711144000
48	56416287	1	PULLEY DRIVE	5711144097
48	56416389	1	DRIVE PULLEY ASSY.	5711144097
48	56470636	1	IDLER LUG RE124D	5711144123
49	56416390	1	SPACER	5711144097
50	56479430	2	BEARING BALL .9843 RE470AG	5711144124
51	56002035	2	SCR HEX 5/16 18 X .62	5711144000
52	56320595	2	BUSHING .31X.50X.28HC18M	5711144062
54	56416378	1	IDLER ASSEMBLY	5711144097
54	56416382	1	BROOM ARM NUT WLMT.	5711144097
55	56002141	1	WSH FLT SAE 3/4	5711144001
56	56002862	1	NUT HEX NYL LOC 3/4 10	5711144002
57	56416379	1	BROOM ARM WELDMENT	5711144097
58	56470636	1	IDLER LUG RE124D	5711144123
59	56470728	1	BUSHING 1.0X1.2X.90RE124S	5711144123

MAIN BROOM SYSTEM (SCROLL ASSEMBLY)

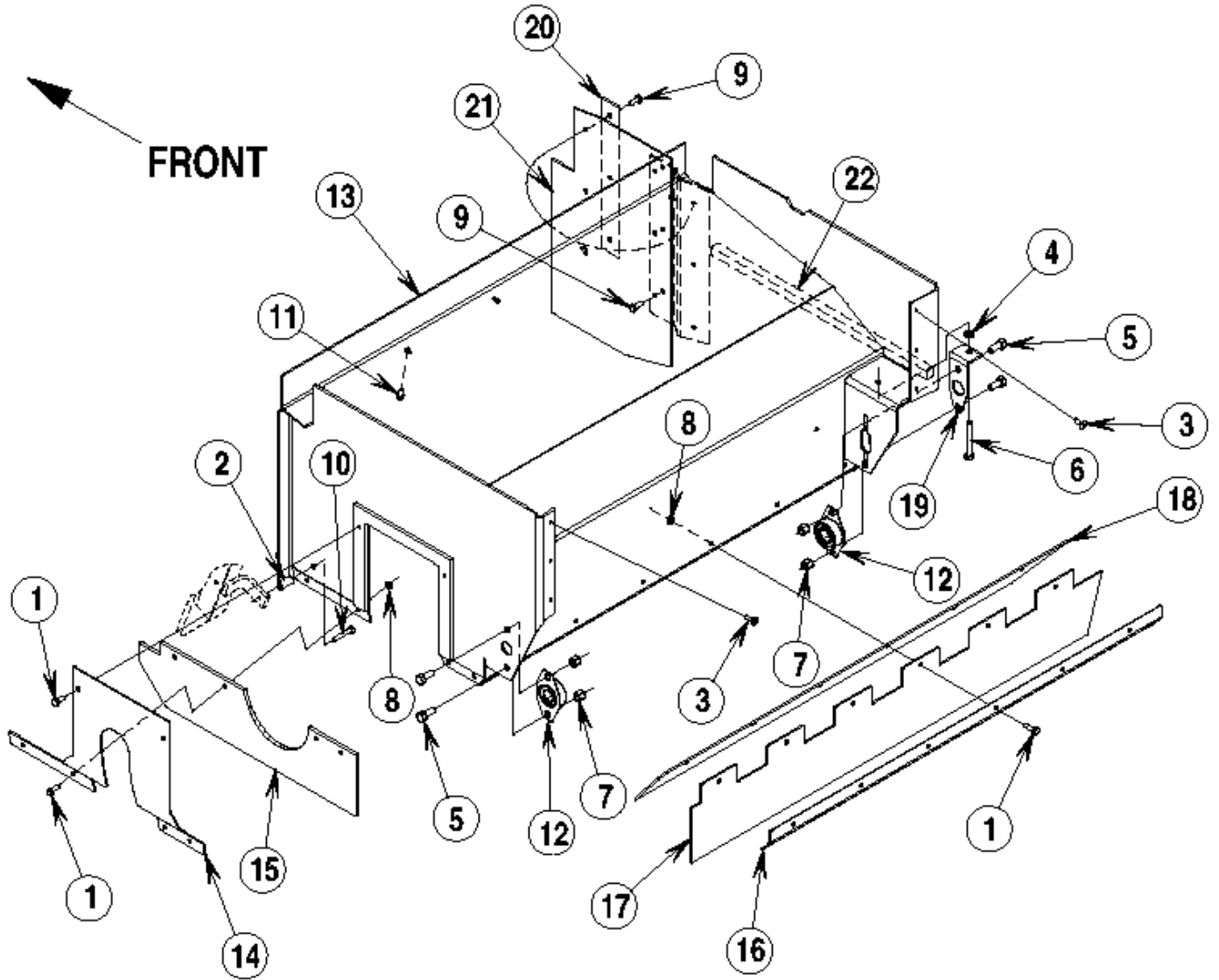
SR 1600 B

27-02-2011

Part List ID

F33126

32



MAIN BROOM SYSTEM (SCROLL ASSEMBLY

SR 1600 B

27-02-2011

Part List ID

F33126

33

Pos	Part no.	Qty	Description	EAN
1	56002155	12	SCR HEX 1/4 20 X .75	5711144001
2	56416633	1	BUSHING	5711144099
3	56001881	6	SCR FLT SOC 1/4 20 X .75	5711144000
4	56002701	1	NUT HEX NYL LOC 5/16 18	5711144002
5	56002271	4	SCR HEX 3/8 16 X .88	5711144001
6	56002026	1	SCR HEX THD/HD 5/16 18 x 3.0	5711144000
7	56002769	4	NUT HEX NYL LOC 3/8 16	5711144002
8	56002840	10	NUT HEX NYL LOC THIN 1/4 20	5711144002
9	56009018	6	SCR HEX THD FORM 1/4 20X .75	5711144007
10	56009028	1	SCR HEX THD FORM 1/4 20X1.50	5711144007
11	56009033	5	SCR HEX THD FORM 1/4 20X.50	5711144007
12	56416086	2	BEARING HEX FLANGE	5711144096
13	56416352	1	BROOM HOUSING WLMT.	5711144097
14	56416358	1	PLATE LEFT ACCESS	5711144097
15	56416359	1	SKIRT LEFT	5711144097
16	56416362	1	STRAP REAR SKIRT	5711144097
17	56416363	1	BLADE HOPPER FABRIC RR	5711144097
18	56416364	1	BLADE HOPPER FABRIC RR	5711144097
19	56416465	1	BROOM ADJUSTER	5711144098
20	56416620	1	STRAP VERTICAL	5711144099
21	56416621	1	BLADE HOPPER FABRIC RT	5711144099
22	56416632	1	GASKET	5711144099

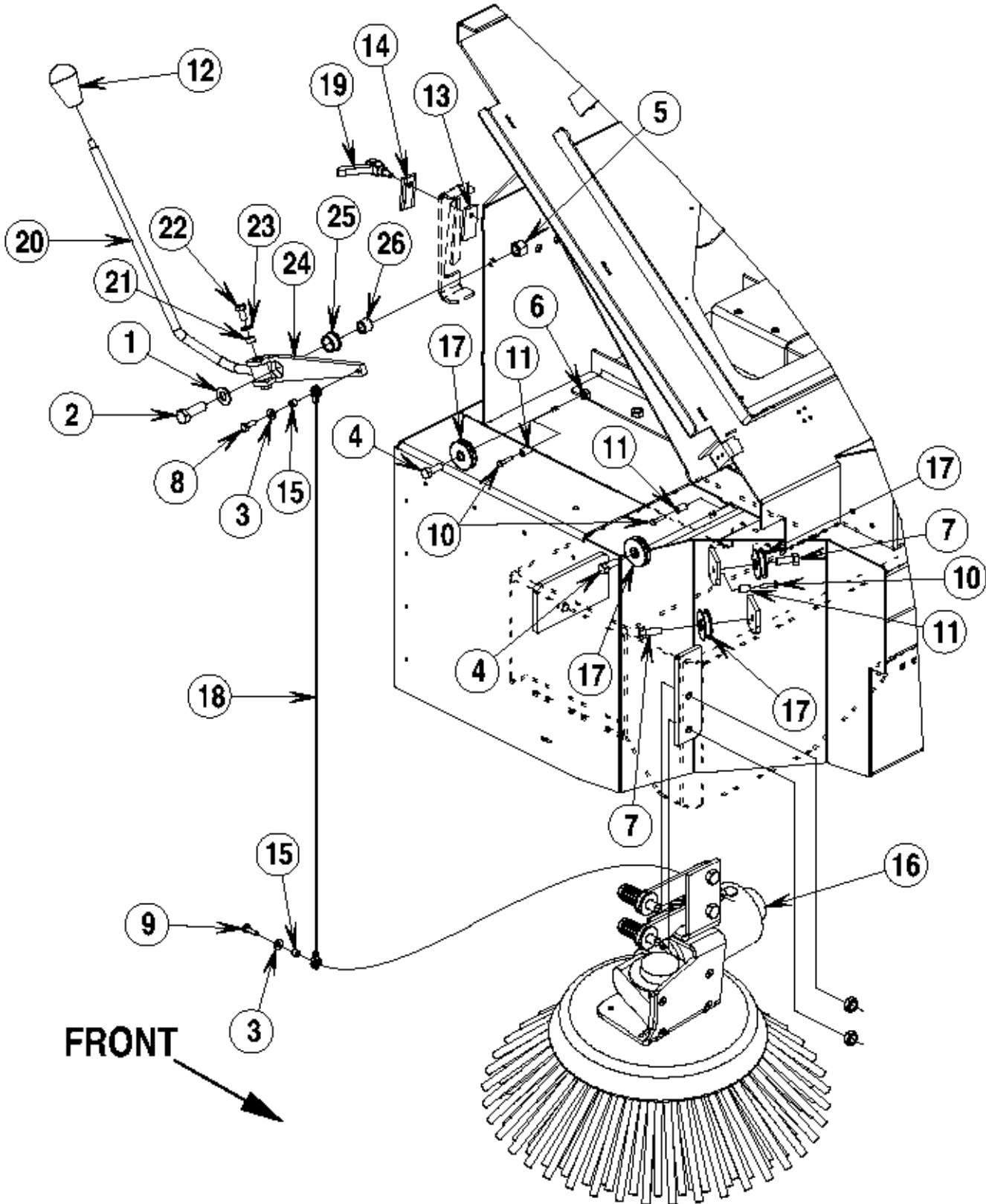
SIDE BROOM SYSTEM

SR 1600 B

27-02-2011

Part List ID
F33128

34



SIDE BROOM SYSTEM

SR 1600 B

27-02-2011

Part List ID

F33128

35

Pos	Part no.	Qty	Description	EAN
1	56001879	1	WSH FLT SAE 1/2	5711144000
2	56001968	1	SCR HEX 1/2 13 X 1.50	5711144000
3	56002098	2	WSH FLT SAE 1/4	5711144000
4	56002663	2	SCR HEX 3/8 16 X 1.00	5711144002
5	56002770	1	NUT HEX NYL LOC 1/2 13	5711144002
6	56002769	2	NUT HEX NYL LOC 3/8 16	5711144002
7	56002947	2	SCR HEX LOC 3/8 16 X 1.00	5711144003
8	56002948	1	SCR HEX HP LOC 1/4 20 X 0.75	5711144003
9	56009018	1	SCR HEX THD FORM 1/4 20X .75	5711144007
10	56009038	3	SCRHEX THD FORM 10 24 X .88	5711144007
11	56200239	3	BUSHING .20X.37X.62HR2B	5711144029
12	56364527	1	KNOB 1.62X5/16 18 CA331 1	5711144066
13	56416411	1	STOP BROOM	5711144097
14	56416412	1	STOP BROOM	5711144098
15	56453849	2	BUSHING .26X.37X.28	5711144109
16	56416500	1	SIDE BROOM ASSY.	5711144098
17	56416546	4	SHIELDED PULLEY	5711144098
18	56416591	1	CABLE SIDE BROOM	5711144098
19	56416597	1	HANDLE ADJUSTABLE	5711144098
20	56416473	1	LEVER ASSEMBLY	5711144098
20	56416474	1	LEVER WELDMENT	5711144098
21	56320595	2	BUSHING .31X.50X.28HC18M	5711144062
22	56002929	2	SCR HEX LOC 5/16 18 X .62	5711144003
23	56001939	2	WSH FLT SAE 5/16	5711144000
25	56250414	1	BEARING FLANGE .752FA1J E00201	5711144035
26	56416662	1	BUSHING	5711144099

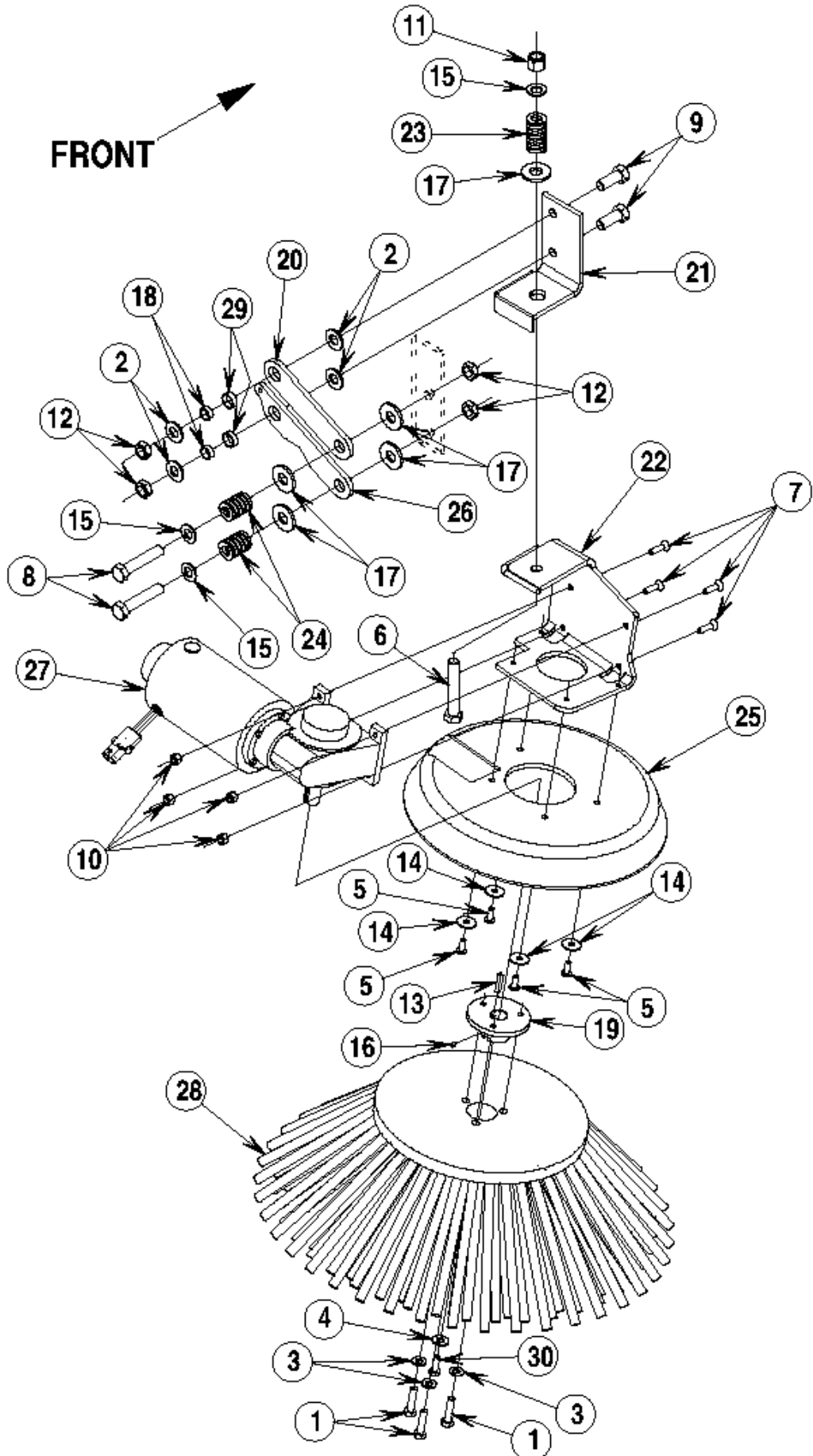
SIDE BROOM ASSEMBLY

SR 1600 B

27-02-2011

Part List ID
F33130

36



SIDE BROOM ASSEMBLY

SR 1600 B

27-02-2011

Part List ID
F33130

37

Pos	Part no.	Qty	Description	EAN
1	56009256	3	SCR HEX 5/16 18X1.38	5711144008
2	56001879	4	WSH FLT SAE 1/2	5711144000
3	56001939	3	WSH FLT SAE 5/16	5711144000
4	56002098	1	WSH FLT SAE 1/4	5711144000
5	56002066	4	SCR PAN PHIL 1/4 20 X .62	5711144000
6	56002355	1	SCR HEX 1/2 13 X 3.00	5711144001
7	56002457	4	SCR FLT SOC 1/4 20 X 1.00	5711144001
8	56002533	2	SCR HEX 1/2 13 X 2.50	5711144001
10	56002708	4	NUT HEX NYL LOC 1/4 20	5711144002
11	56002770	1	NUT HEX NYL LOC 1/2 13	5711144002
12	56002843	4	NUT HEX NYL LOC THIN 1/2 13	5711144002
13	56003239	1	KEY SQ .19 X 1.00	5711144004
14	56009002	4	WASHER FLAT .266X.906X.060	5711144007
15	56009017	3	WSH FLT HDN .516X.938X.075	5711144007
16	56009084	1	SCR SOC SET LOC 10 24X.19	5711144008
17	56009115	5	WSH FLT HDN .594X1.375X.134	5711144008
18	56365030	2	BUSHING CA334D	5711144066
19	56416023	1	HUB	5711144096
20	56416499	1	LINK SIDE BROOM	5711144098
21	56416501	1	SIDE BROOM WELDMENT	5711144098
22	56416504	1	SIDE BROOM WELDMENT	5711144098
23	56416507	1	SPRING DIE	5711144098
24	56416508	2	SPRING DIE	5711144098
25	56416538	1	BROOM GUARD	5711144098
26	56416547	1	LINK SIDE BROOM	5711144098
27	56416578	1	GEARMOTOR ASSY	5711144098
27	56416608	2	BRUSH .25 X .38/SET OF 2	5711144098
28	56462252	1	BROOM POLY SIDE	5711144118
28	56505629	1	BROOM SIDE WHITE CRIMPED	5711144128
29	56478781	2	BEARING SLEEVE .627RE450CE0202	5711144124
30	56002948	1	SCR HEX HP LOC 1/4 20 X 0.75	5711144003

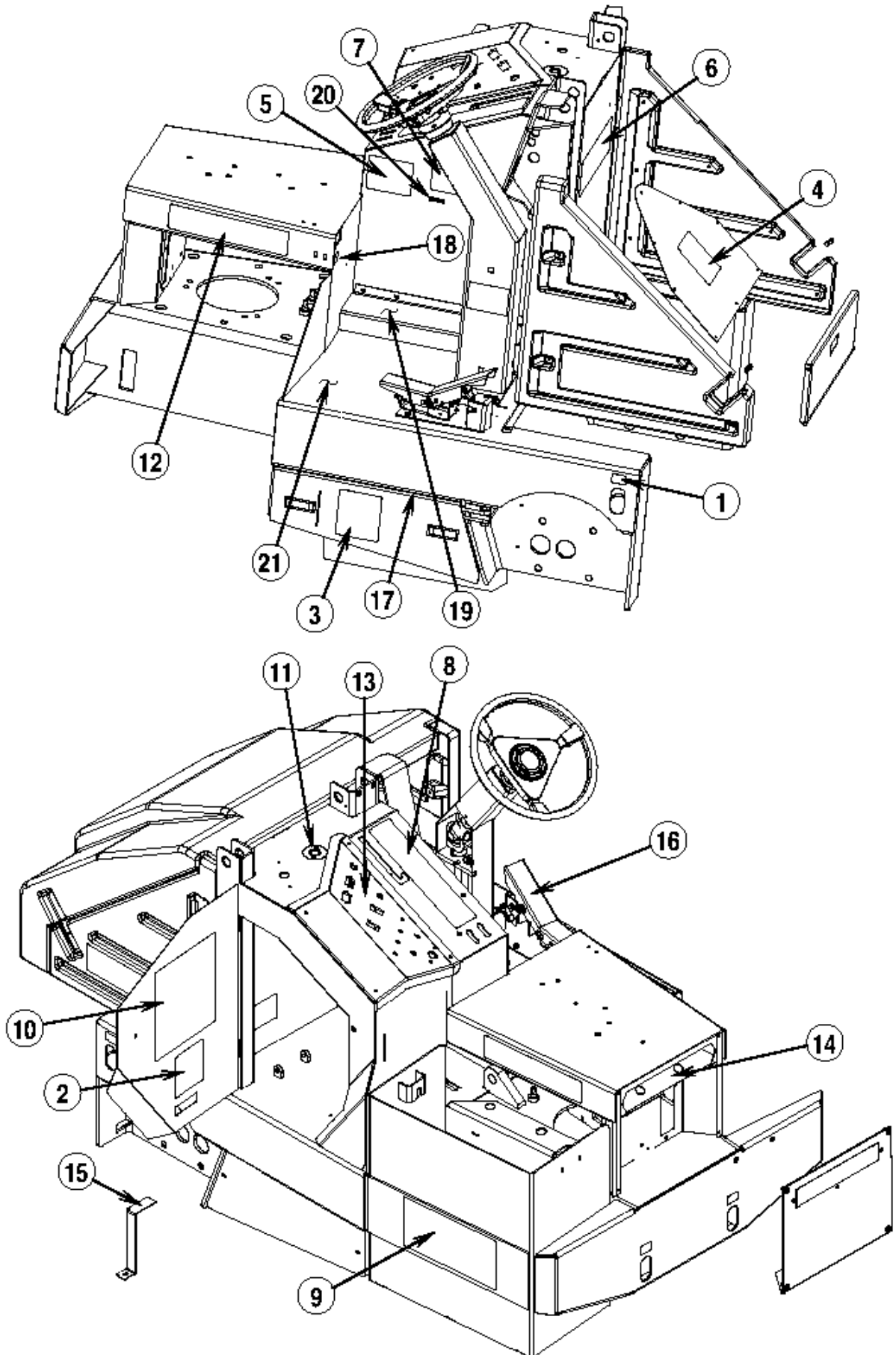
DECAL SYSTEM

SR 1600 B

27-02-2011

Part List ID
F33132

38



DECAL SYSTEM

SR 1600 B

27-02-2011

Part List ID

F33132

39

Pos	Part no.	Qty	Description	EAN
1	56015370	4	DECAL TIE DOWN	5711144010
2	56015424	1	DECAL WARNING HYDRAULIC	5711144010
3	56015425	1	DECAL WARNING BROOM	5711144010
4	56015426	1	DECAL WARNING FAN	5711144010
5	56015427	1	DECAL WARNING TIP O	5711144010
6	56015428	1	DECAL WARNING HOPPER	5711144010
7	56016053	1	DECAL WEAR ITEMS 4600	
7	56016265	1	DECAL WEAR ITEMS SR1600	
8	56016054	1	DECAL HOPPER LIFT DOOR	5711144010
9	56016257	3	DECAL SR1600	5711144011
9	56016636	3	DECAL 4600	
10	56416124	1	SCHEMATIC ELECTRICAL	
10	56416537	1	HYDRAULIC SCHEMATIC	
10	56416649	1	SCHEMATIC PACK	5711144099
11	56016060	1	DECAL EMER DIS	5711144010
12	56016061	2	DECAL BATTERY CONFIG	5711144010
13	56016062	1	DECAL CONTROL PANEL	5711144010
14	56016097	1	DECAL REFLECTIVE	5711144010
15	56016125	1	DECAL IMPORTANT	5711144010
16	56449958	1	PEDAL MAT CV696C	5711144107
17	56016163	1	DECAL NO STEP	5711144011
18	56016324	1	DECAL 36 VOLT CR398K	5711144011
19	56416600	1	MAT GUARD	5711144098
20	56023147	1	DECAL PAT PENDING CPM98P	
21	56416548	1	MAT FLOOR	5711144098

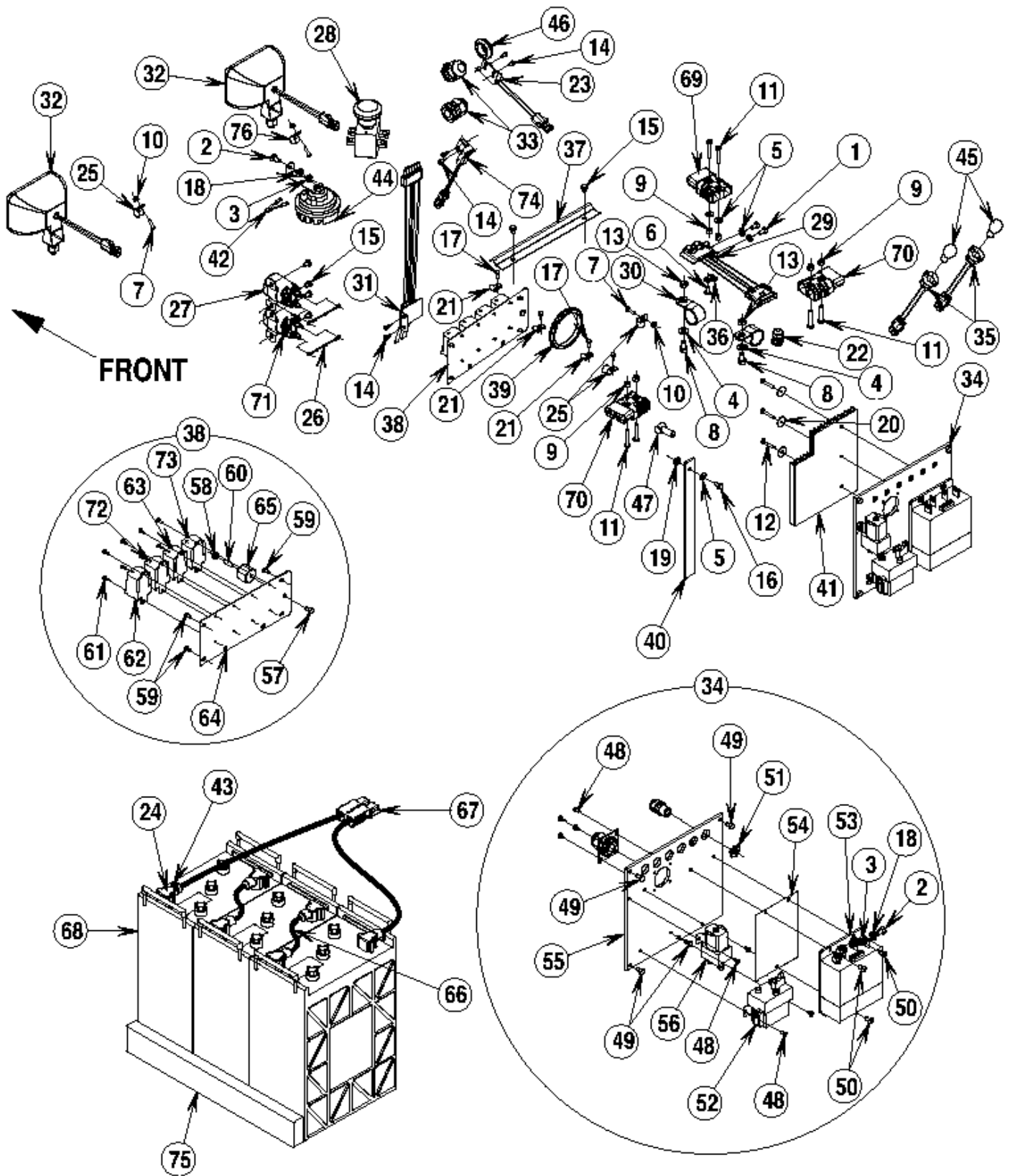
ELECTRICAL SYSTEM

SR 1600 B

27-02-2011

Part List ID
F33134

40



ELECTRICAL SYSTEM

SR 1600 B

27-02-2011

Part List ID

F33134

41

Pos	Part no.	Qty	Description	EAN
1	56001854	2	SCR HEX 1/4 20 X .50	5711144000
2	56001862	5	SCR HEX 5/16 18 X .50	5711144000
3	56009086	5	NUT HEX JAM 5/16 18	5711144008
4	56002063	2	WSH FLT SAE 3/8	5711144000
5	56002098	5	WSH FLT SAE 1/4	5711144000
6	56002145	1	SCR PAN PHIL 1/4 20 X .50	5711144001
7	56002192	6	SCR PAN PHIL 10 24 X .75	5711144001
8	56002663	2	SCR HEX 3/8 16 X 1.00	5711144002
9	56002708	6	NUT HEX NYL LOC 1/4 20	5711144002
10	56002832	3	NUT HEX NYL LOC THIN 10 24	5711144002
11	56002786	6	SCR PAN PHIL 1/4 20 X 1.50	5711144002
12	56002824	3	SCR PAN PHIL 10 24X1.25	5711144002
13	56002769	2	NUT HEX NYL LOC 3/8 16	5711144002
14	56009012	6	SCR HEX THD FORM 10 24X.38	5711144007
15	56009019	6	SCR HEX THD FORM 1/4 20X .38	5711144007
16	56009033	1	SCR HEX THD FORM 1/4 20X.50	5711144007
17	56009039	4	SCR HEX THD FORM 10 24X .50	5711144007
18	56009052	5	WSH INT SHPRF 5/16	5711144007
19	56009064	1	WSH INT SHPRF 1/4	5711144007
20	56009096	3	WSH FLT .193X.875X.060	5711144008
21	56300152	3	CLAMP CORD E00129	5711144040
22	56323067	1	STRAIN RELIEF E00220	5711144062
23	56372088	1	SWITCH WATERPROOF	5711144067
24	56372673	12	BOOT BATTERY POST	5711144067
25	56442011	3	CLAMP CABLE .438 E00129	5711144107
26	56389265	2	RECTIFIER ASSY.	5711144072
27	56395450	1	CONTACTOR 36 VOLT	5711144076
28	56409384	1	SWITCH KILL	5711144084
29	56409387	1	SWITCH DUAL	5711144084
30	56409463	2	CLAMP 1.25 HOSE SUPPORT	5711144084
31	56416161	1	SWITCH WATERPROOF	5711144097
32	56416168	2	LAMP 36V DC	5711144097
33	56416406	2	STRAIN RELIEF	5711144097
34	56416413	1	SPEED CONTROL ASSY	5711144098
35	56416462	2	SOCKET ASSY	5711144098
36	56416463	1	CLAMP .25 HOSE SUPPORT	5711144098
37	56416475	1	WIREWAY	5711144098
38	56416497	1	RELAY PANEL ASSY	5711144098
39	56416516	1	GROMMET E00059	5711144098
40	56416517	1	STRAP STATIC	5711144098
41	56416543	1	HEAT SINK	5711144098

ELECTRICAL SYSTEM

SR 1600 B

27-02-2011

Part List ID

F33134

42

Pos	Part no.	Qty	Description	EAN
42	56454662	1	VARISTOR ASSEMBLY	5711144110
43	56478246	12	CABLE TIE E00549 RE438BA	5711144124
44	56482365	1	HORN 36V	5711144125
45	56482379	2	BULB LIGHT	5711144125
46	56486116	1	GROMMET E00059	5711144125
47	56492305	4	BOOT	5711144126
48	56009030	8	SCR PAN PHIL THD FOM 10 24X.38	5711144007
49	56009033	4	SCR HEX THD FORM 1/4 20X.50	5711144007
50	56009126	3	SCR PANPHILTHD FORM 1/4 20X.75	5711144008
51	56009095	6	NUT CONDUIT LOCK 1/2 14	5711144008
52	56416677	1	CONTACTOR REVERSING	5711144099
53	56416164	1	CONTROLLER SPEED	5711144097
54	56416165	1	THERMAL PAD	5711144097
55	56416545	1	HEAT SINK WELDT	5711144098
56	56454806	1	CONTACTOR ASSY 36V SPST	5711144110
57	56001861	1	SCR HEX 1/4 20 X .38	5711144000
58	56002708	1	NUT HEX NYL LOC 1/4 20	5711144002
59	56009012	4	SCR HEX THD FORM 10 24X.38	5711144007
60	56009020	1	STUD 1/4 20 X .88	5711144007
61	56009032	8	SCR HEX THD FORM 6 32X.38	5711144007
62	56261219	1	RELAY	5711144035
63	56416157	1	RELAY SPST	5711144097
64	56416306	1	PANEL RELAY	5711144097
65	56469858	1	INSULATED STANDOFF	5711144122
66	56409485	4	CABLE ASSY.1 X 15.00	5711144085
67	56416153	2	CONNECTOR ASSY	5711144097
69	56416149	1	CONNECTOR ASSY	5711144097
70	56416145	1	CONNECTOR ASSY	5711144097
71	56395450	1	CONTACTOR 36 VOLT	5711144076
72	56416157	1	RELAY SPST	5711144097
73	56416157	1	RELAY SPST	5711144097
74	56372088	1	SWITCH WATERPROOF	5711144067
75	56409498	2	SPACER BATTERY	5711144085
76	56328064	1	CLAMP CABLE .75 E00129	5711144064
76	56409244	1	BACK UP ALARM KIT	5711144084
76	56416125	1	HARNESS MAIN	5711144096
76	56416588	1	BEACON KIT	5711144098
76	56416624	1	CHARGE PLUG ADAPTER	

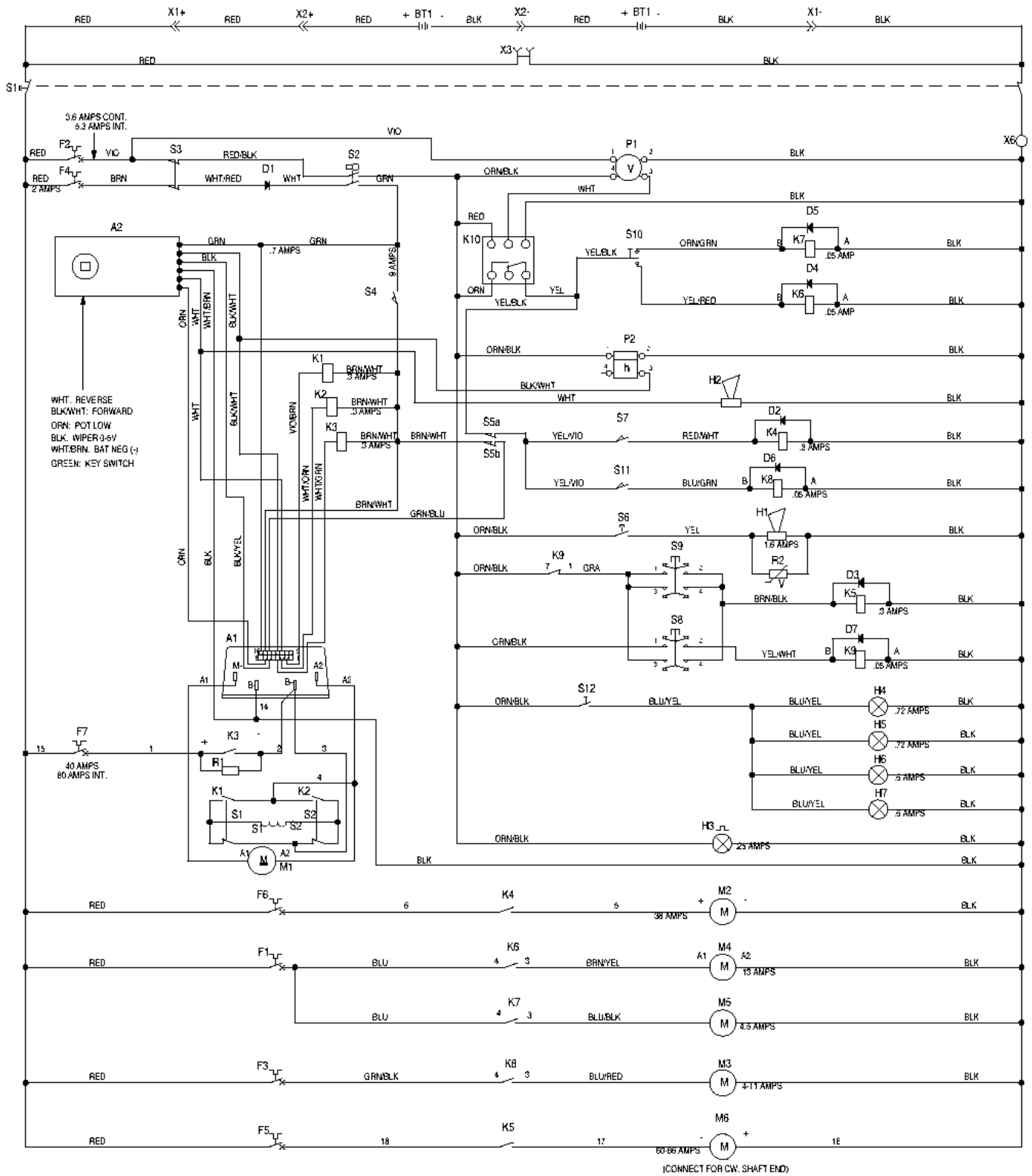
ELECTRICAL SCHEMATIC

SR 1600 B

27-02-2011

Part List ID
F33136

43



ELECTRICAL SCHEMATIC

SR 1600 B

27-02-2011

Part List ID

F33136

44

Pos	Part no.	Qty	Description	EAN
1	56416137	1	CABLE ASSY 4 AWG	5711144096
2	56416139	1	CABLE ASSY 4 AWG	5711144096
3	56416140	1	CABLE ASSY 4 AWG	5711144097
4	56416445	1	CABLE ASSY 4 AWG	5711144098
5	56416148	1	CABLE ASSY 6 AWG	5711144097
6	56416138	1	CABLE ASSY 6 AWG	5711144096
10	56416146	1	CABLE ASSY 4 AWG	5711144097
14	56416444	1	CABLE ASSY 4 AWG	5711144098
15	56416134	1	CABLE ASSY 1 AWG	5711144096
16	56416135	1	CABLE ASSY 1 AWG	5711144096
17	56416449	1	CABLE ASSY 6 AWG	5711144098
18	56416491	1	CABLE ASSY 6 AWG	5711144098
19	56416125	1	HARNESS MAIN	5711144096
19	56416450	1	CABLE ASSY 6 AWG	5711144098
19	56416624	1	CHARGE PLUG ADAPTER	
A1	56416143	1	CABLE ASSY 4 AWG	5711144097
A1	56416413	1	SPEED CONTROL ASSY	5711144098
A2	56416144	1	CABLE ASSY 4 AWG	5711144097
A2	56416169	1	THROTTLE ELECTRONIC	5711144097
D1	56409228	1	DIODE	5711144084
D2	56389265	1	RECTIFIER ASSY.	5711144072
D3	56389265	1	RECTIFIER ASSY.	5711144072
F1	56454538	1	CIRCUIT BREAKER 15A	5711144110
F2	56329177	1	CIRCUIT BREAKER 6A	5711144065
F3	56387316	1	CIRCUIT BREAKER 10A	5711144071
F4	56387328	1	CIRCUIT BREAKER 5A	5711144071
F5	56263260	1	CIRCUIT BREAKER 60A	5711144036
F6	56452193	1	CIRCUIT BREAKER 40A	5711144108
F7	56409230	1	CIRCUIT BREAKER 80A	5711144084
H1	56482365	1	HORN 36V	5711144125
H2	56409244	1	BACK UP ALARM KIT	5711144084
H3	56416588	1	BEACON KIT	5711144098
H4	56416168	1	LAMP 36V DC	5711144097
H5	56416168	1	LAMP 36V DC	5711144097
H6	56482379	1	BULB LIGHT	5711144125
H7	56482379	1	BULB LIGHT	5711144125
K1	56416677	1	CONTACTOR REVERSING	5711144099
K2	56416677	1	CONTACTOR REVERSING	5711144099
K3	56454806	1	CONTACTOR ASSY 36V SPST	5711144110
K4	56395450	1	CONTACTOR 36 VOLT	5711144076
K5	56395450	1	CONTACTOR 36 VOLT	5711144076

ELECTRICAL SCHEMATIC

SR 1600 B

27-02-2011

Part List ID

F33136

45

Pos	Part no.	Qty	Description	EAN
K6	56416157	1	RELAY SPST	5711144097
K7	56416157	1	RELAY SPST	5711144097
K8	56416157	1	RELAY SPST	5711144097
K9	56261219	1	RELAY	5711144035
M1	56409746	4	BRUSH SPRING	5711144085
M1	56416297	1	WHEEL DRIVE MOTOR ASSY.	5711144097
M1	56416656	4	BRUSH MOTOR	5711144099
M2	56416033	1	MOTOR 1.5HP	5711144096
M3	56416578	1	GEARMOTOR ASSY	5711144098
M3	56416608	2	BRUSH .25 X .38/SET OF 2	5711144098
M4	56416020	1	MOTOR .33HP	5711144096
M4	56416595	2	SET OF 2 MOTOR BRUSHES	5711144098
M5	56469558	1	MOTOR 24 VOLT	
M6	56416203	1	MOTOR 2.5 HP	5711144097
M6	56416609	1	BRUSH RING ASSY	
P1	56416395	1	FUEL GAUGE BATTERY	5711144097
P2	56393718	1	HOURMETER	5711144076
R1	56454696	1	RESISTOR ASSEMBLY	5711144110
R2	56454662	1	VARISTOR ASSEMBLY	5711144110
S1	56409384	1	SWITCH KILL	5711144084
S1	56416142	1	CABLE ASSY 4 AWG	5711144097
S2	56301636	1	SWITCH TOGGLE	5711144040
S2	56416141	1	CABLE ASSY 4 AWG	5711144097
S3	56409387	1	SWITCH DUAL	5711144084
S4	56409613	1	SWITCH SEAT	5711144085
S6	56409692	1	SWITCH PUSH BUTTON	5711144085
S7	56372088	1	SWITCH WATERPROOF	5711144067
S8	56416657	1	SWITCH KIT REPLACEMENT	
S9	56416657	1	SWITCH KIT REPLACEMENT	
X1	56416153	1	CONNECTOR ASSY	5711144097
X2	56416153	1	CONNECTOR ASSY	5711144097
X3	56416149	1	CONNECTOR ASSY	5711144097
K10	56416416	1	RELAY MODULE ASSY	5711144098
S10	56324272	1	SWITCH FOR AG 16	5711144063
S11	56372088	1	SWITCH WATERPROOF	5711144067
S12	56393312	1	SWITCH ROCKER	5711144075
S5A	56416161	1	SWITCH WATERPROOF	5711144097
S5B	56416161	1	SWITCH WATERPROOF	5711144097

MAIN BROOM

SR 1600 B

27-02-2011

Part List ID F3332

46



MAIN BROOM

SR 1600 B

27-02-2011

Part List ID F3332

47

Pos	Part no.	Qty	Description	EAN
0	56416093	1	BROOM MAINPL	5711144096

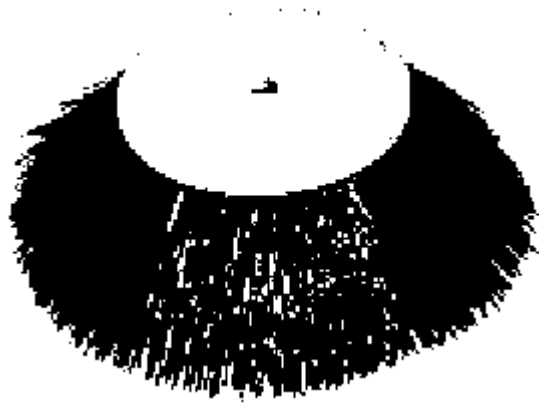
BROOM SELECTOR GUIDE

SR 1600 B

27-02-2011

Part List ID F3333

48



BROOM SELECTOR GUIDE

SR 1600 B

27-02-2011

Part List ID
F3333

49

Pos	Part no.	Qty	Description	EAN
0	56462252	1	BROOM POLY SIDE	5711144118

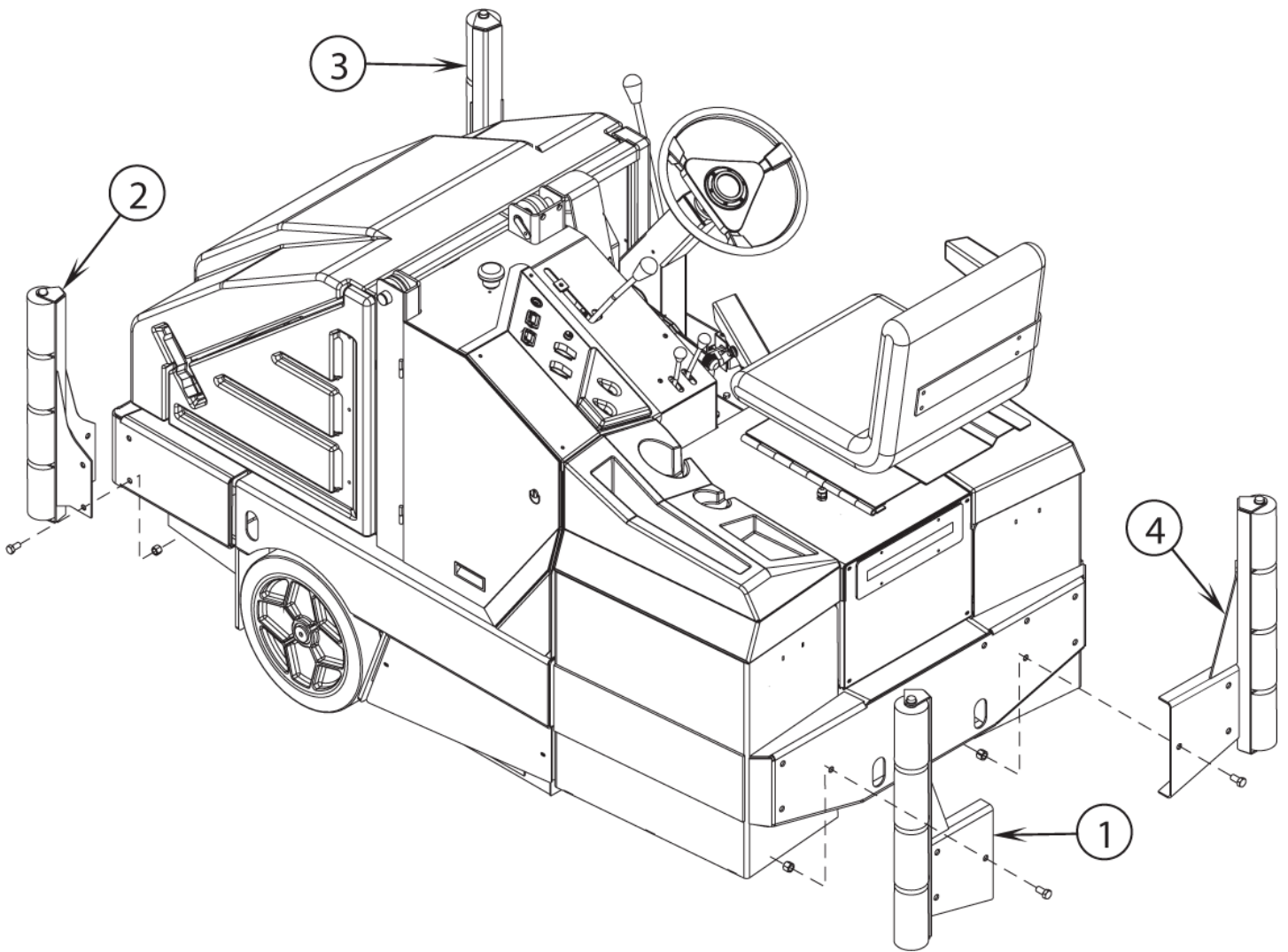
56416697 - Roller Bump Kit

SR 1600 B

27-02-2011

Part List ID
IS56040725

50



56416697 - Roller Bump Kit

SR 1600 B

27-02-2011

Part List ID
IS56040725

51