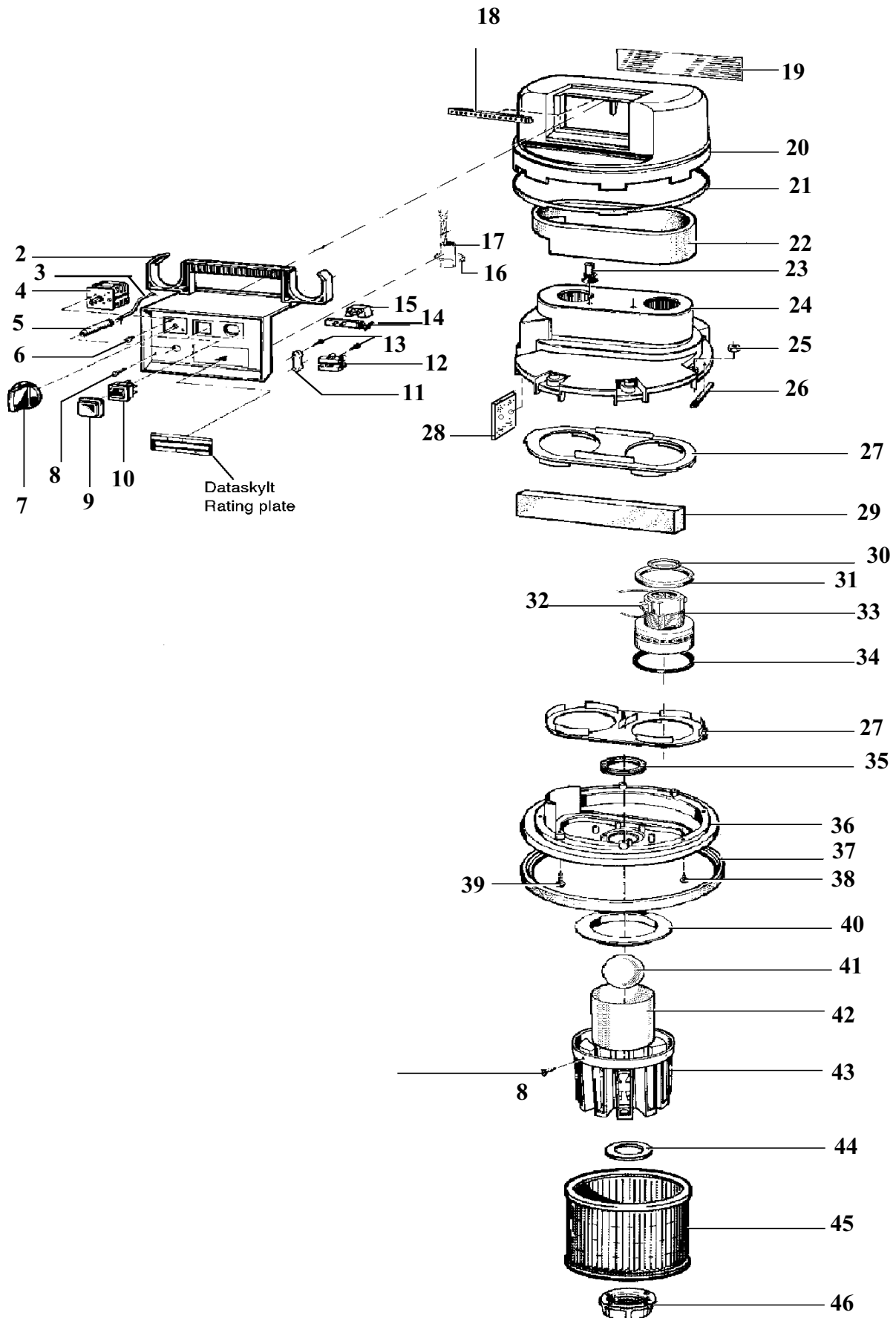


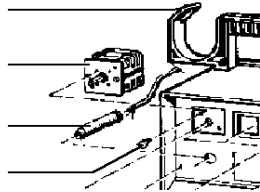
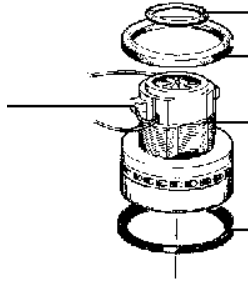
DESCRIPTION	PLAN
Motor top, line drawing	C- 0.6.1 - 2
Motor top, part numbers	C- 0.6.1 - 3
Fan units & cord, line drawing	C- 0.6.1 - 4
Fan units & cord, part numbers	C- 0.6.1 - 5
Container & trolley, line drawings	C- 0.6.1 - 6
Container & trolley, part numbers	C- 0.6.1 - 7
Solution tank, line drawing	C- 0.6.1 - 8
Solution tank, part numbers	C- 0.6.1 - 9
Carpet nozzle & hose, line drawing	C- 0.6.1 - 10
Carpet nozzle & hose, part numbers	C- 0.6.1 - 11
Nozzle & hose, line drawing	C- 0.6.1 - 12
Nozzle & hose, part numbers	C- 0.6.1 - 13



Pos	Qty.	Part no.	Description
2	1	140 5428 000	Panel
3	1	See table / Se tabell	Cord set
4a	1	140 6273 000	Switch 10A/250V~
4b	1	140 6363 000	Switch 16A/250V~
5	1	140 0467 010	Protection sleeve
6	2	724 1222 010	Screw
7	1	>>140 5512 000	Knob
8	7	729 5281 400	Screw
9	1	140 5497 000	Switch protection
10	1	140 5496 000	Switch
11	1	056 1014 060	Anti-strain clip
12	1	140 1636 000	Terminal
13	3	729 5285 010	Screw
14	1	011 7365 000	Protection plate
15	1	010 9678 000	Socket
16	1	465 0225 010	Cable strap
17	1	140 9262 000	Supressor
18	1	140 5963 000	Gasket
19	1	140 7778 000	Label Nilfisk HD series
	1	140 7781 000	Label Euroclean HD series
20	1	140 5430 000	Cover, blue
	1	140 5430 020	Cover, blue UL-material
	1	140 5430 070	Cover, grey Nilfisk
21	1	140 5964 000	Gasket
22	1	140 5511 000	Silencer
23	1	010 9374 010	Grommet
24	1	140 5435 010	Hood, black
	1	P 140 5435 020	Hood, UL-material
25		731 2314 400	Nut M5
26	1	140 5965 000	Gasket
27	2	140 5433 000	Plate
28	1	140 5510 000	Silencer
29	2	140 6102 000	Silencer
30a	2	140 6747 000	Sealing ring
30b	2	140 6607 000	Sealing ring*
31	2	140 6749 000	Suspension ring*
32a	4	142 0876 000	Carbon brush for 1406745-xx
32b	4	140 7169 000	Carbon brush for 140 7154-00
33	2	See table / Se tabell	Fan unit
34	2	140 6644 000	Suspension ring
35	1	140 4675 000	Sealing ring
36	1	140 5432 000	Motor stand
	1	140 5432 020	Motor stand, UL-material
37	1	140 5543 000	Bumper
38		724 1328 400	Screw
39		140 4404 060	Screw
40	1	140 4667 000	Ring
41	1	140 4658 000	Ball
42	1	140 4668 000	Wet filter
43	1	140 4657 010	Float basket
44	1	140 6604 000	Gasket
45	1	140 6606 000	Filter
46	1	140 6603 000	Cap

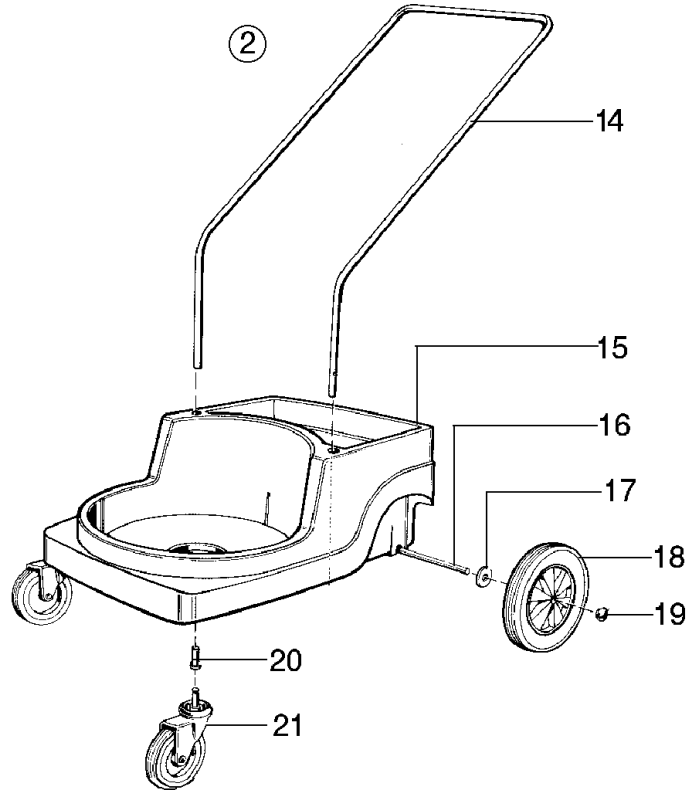
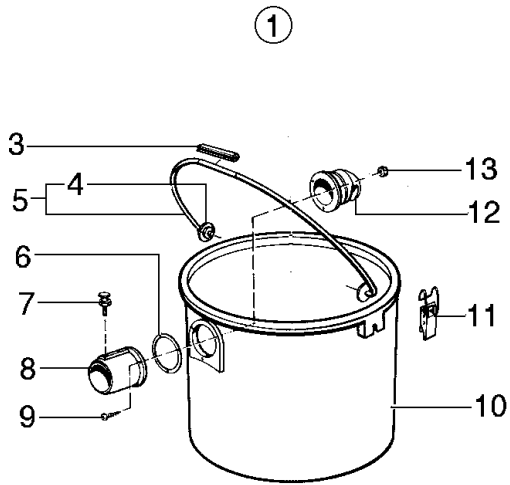
* For fan unit 140 6608-000

>> MEANS: NEW OR CHANGED REF. NUMBER OR/AND CHANGED/NEW SPECIFICATIONS
P MEANS: DEPLETED WHEN NO LONGER ON STOCK

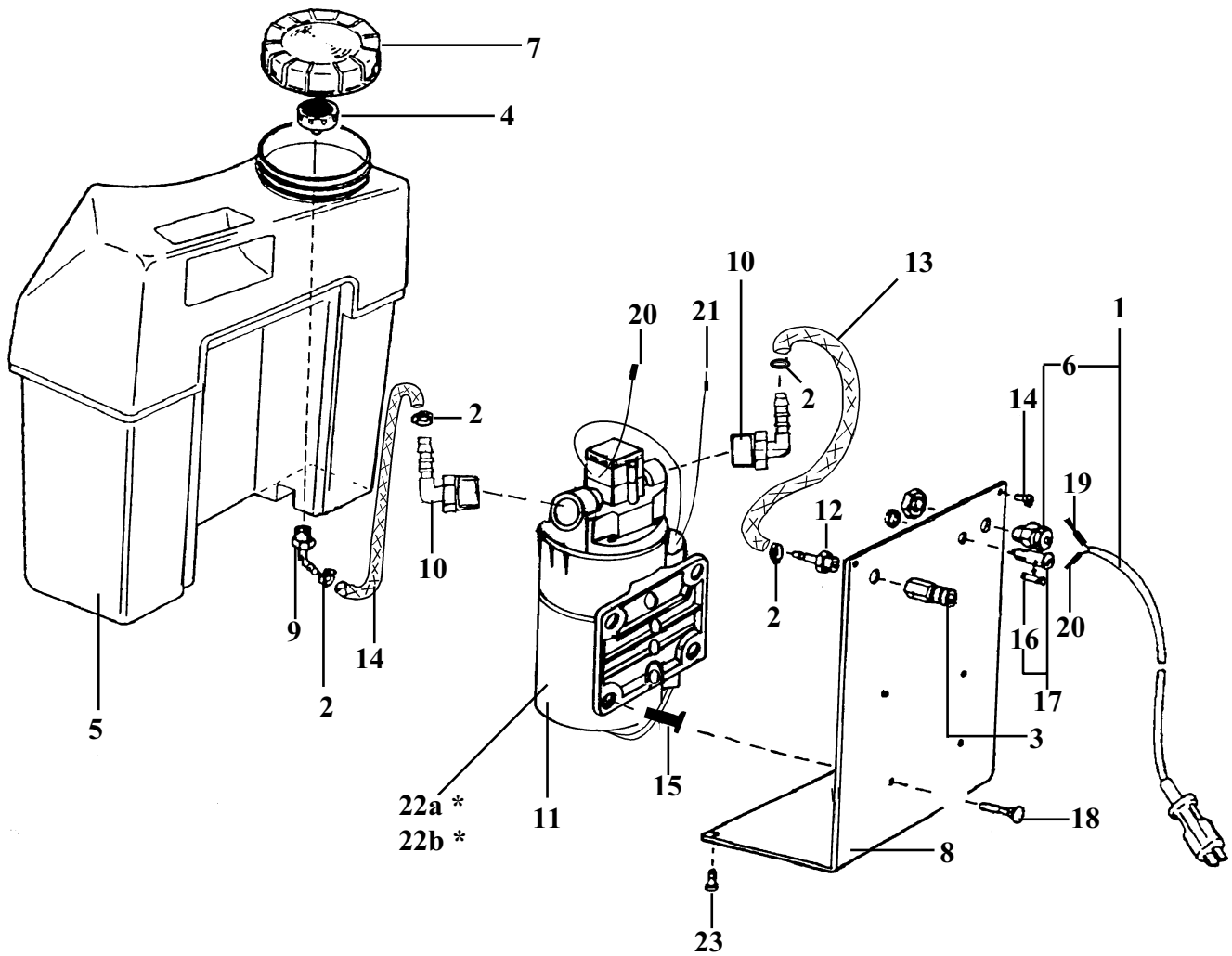


00-12	SPARE PARTS UC 912	BOOK C		
01-03	FAN UNITS & CORD SET, PART NUMBERS	C	0.6.1	5

PROD NR	VOLT	FAN UNIT	CORD SET
UC 912			
904 4801	230	140 7154 000	093 1054 020
904 4802	240	140 7154 000	140 8262 020
904 4803	240	140 7154 000	093 1054 020
904 4804	100	140 6608 000	140 6653 000
904 4805	230	140 7154 000	093 1054 020
905 4806	110	140 7178 000	140 6653 000
905 4807 Grey	230	140 7154 000	093 1054 020
905 4808 Grey	240	140 7154 000	140 8262 020
905 4809 Grey	110	140 7178 000	140 6653 000
905 4810 Grey	240	140 7154 000	140 8262 010
905 4811 Grey	100	140 6608 000	140 6653 000



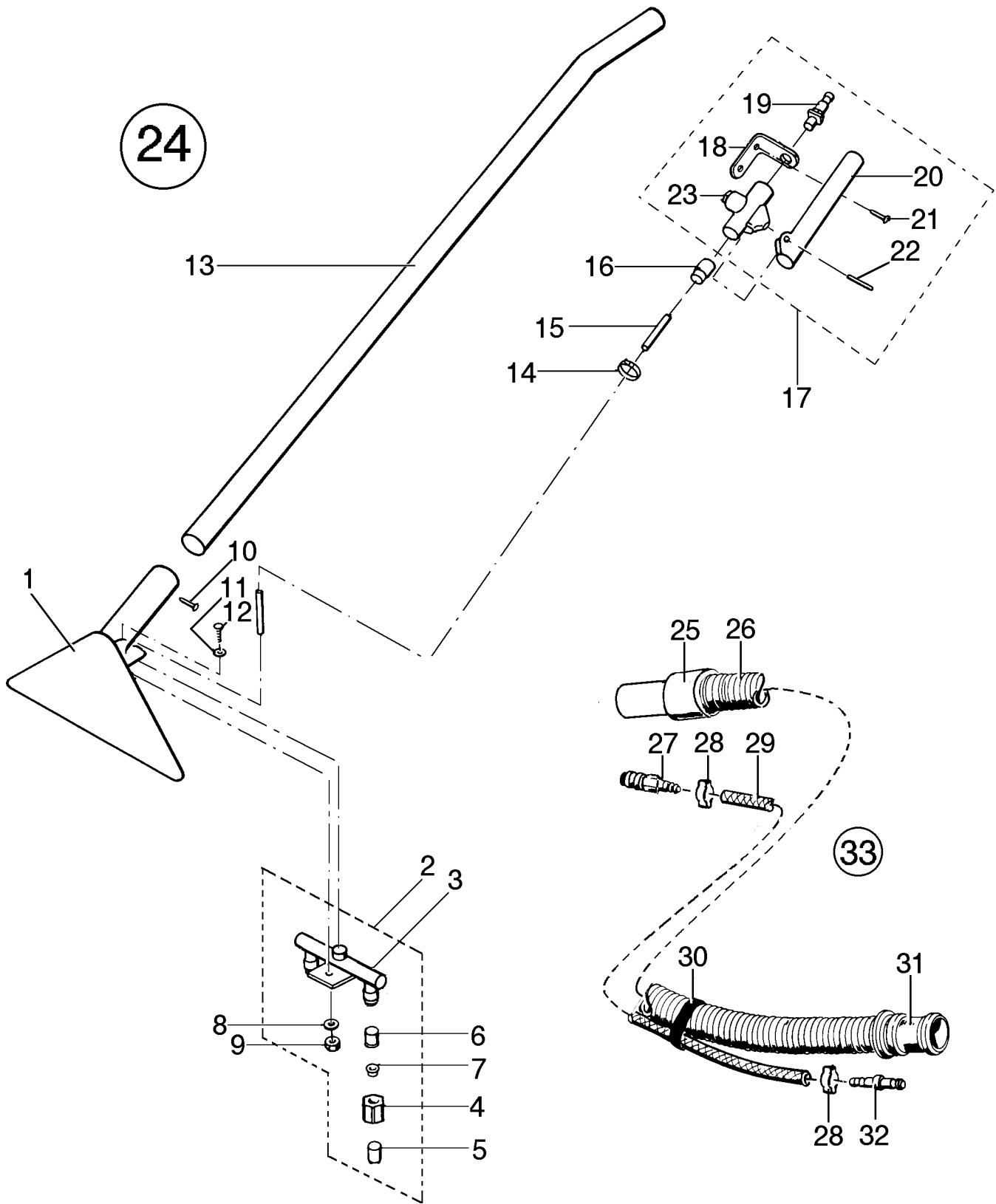
Pos	Qty.	Part no.	Description
1	1	140 5469-000	Container compl. 45l
2	1	140 5493-000	Trolley compl.
3	1	140 5468-000	Handle
4	2	735 5841-010	Washer
5	1	140 5801-000	Handle compl.
6	1	140 3382-000	Sealing ring
7	1	140 3368-000	Snap catch
8	1	140 3303-000	Hose coupling
9	3	724 1295-010	Screw M4*20
10	1	140 5431-000	Tank 45l
11	1	140 8119 500	Latch, spare part kit
12	1	140 5868-000	Inlet
13	3	731 2312-010	Nut M6
14	1	140 5492-000	Handle compl.
15	1	140 5429-000	Tank support
16	1	140 5475-000	Shaft
17	4	734 1173-010	Washer 10.5*21
18	2	140 7538 000	Side wheel
19	2	735 5858-200	Locking cap
20	2	140 5477-000	Sleeve
21	2	140 5476-000	Caster wheel



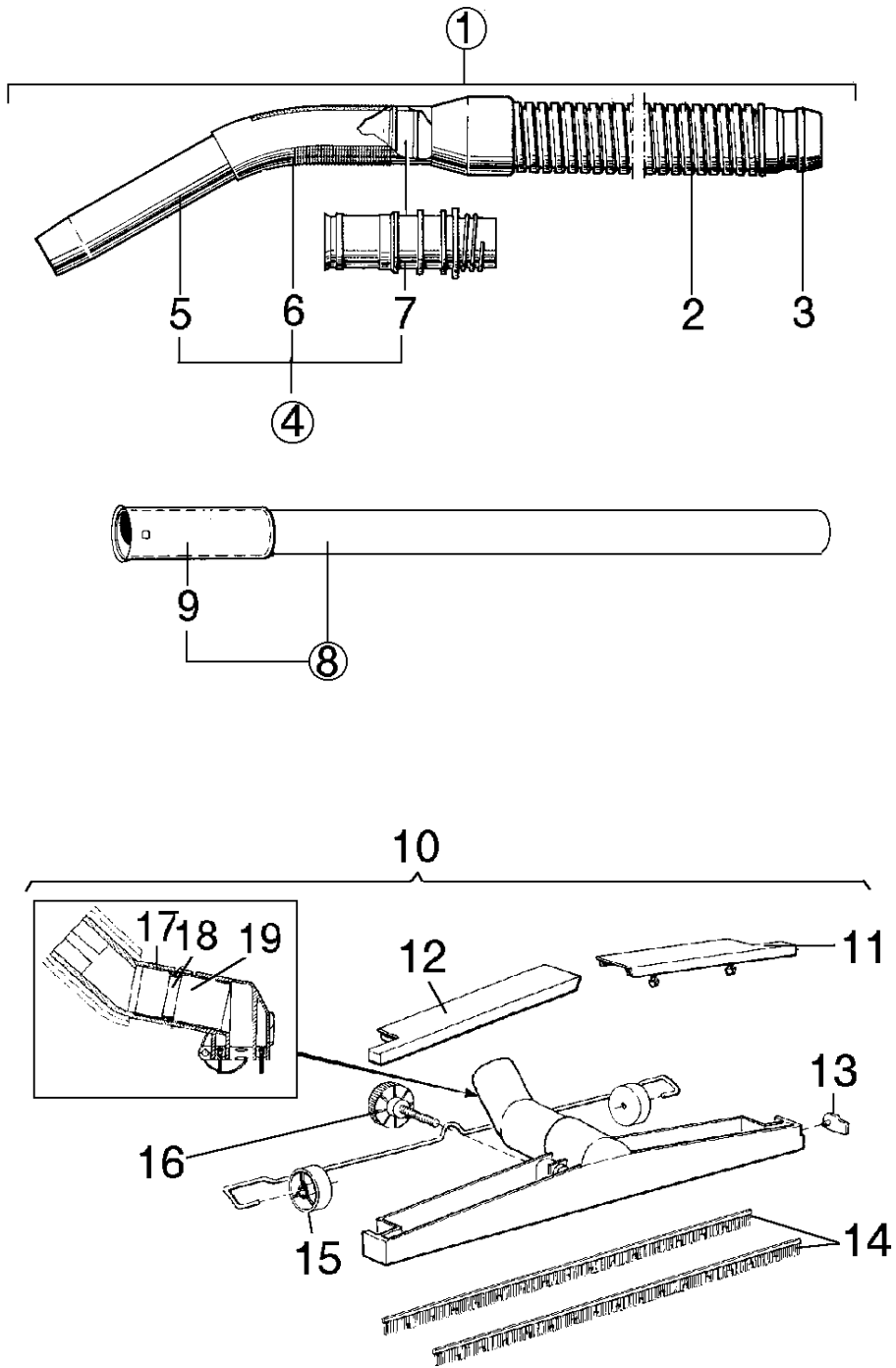
02-03	SPARE PARTS UC 912	BOOK C		
02-09	SOLUTION TANK, PART NUMBERS	C	0.6.1	9

Pos	Qty.	Part no.	Description
1	1 >>	140 5696 010	Cord set
2	4	140 6349 000	Hose clamp
3	1	093 1694 000	Quick release coupling
4	1	093 1744 000	Strainer
5	1	140 5766 000	Container
6	1	140 6353 000	Anti-strain clip
7	1	140 6508 000	Cap
8	1	140 6509 000	Cover plate
9	1	140 6512 000	Nipple
10	2	140 6512 010	Nipple
11a	1	140 8304 000	Pump 220/240V, kit
11b	1	140 8304 010	Pump 100V, kit
12	1	465 0072 000	Nipple
13	1	465 0105 050	Hose 400mm
14	1	465 0105 130	Hose 200mm
15	4	140 7161 000	Rubber insert
16	1 >>	140 8459 000	Fuse T 500mA
17	1	140 6703 000	Fuse holder
18	4 >>	724 1331 400	Screw
19	1	140 5593 000	Round terminal (female)
20	2	140 6856 000	Flat terminal
21	1	140 5518 000	Round terminal (male)
22a*	1	140 8304 000	Spare part. kit pump 220-240
22b*	1	140 8304 010	Spare part kit pump 100V
24	4	724 1325 010	Screw, M5x10

>> MEANS: NEW OR CHANGED REF. NUMBER OR/AND CHANGED/NEW SPECIFICATIONS



Pos	Qty.	Part no.	Description
1	1	093 1640 000	Carpet nozzle
2	1	093 1688 000	Nozzle manifold cpl.
3	1	093 1641 000	Nozzle manifold
4	2	093 1862 000	Lock nut
5	2	093 1939 000	Jet
6	2	093 1938 000	Non return valve
7	2	093 1863 000	Filter
8	1	735 1156 010	Lock washer 6.3
9	1	093 1490 000	Nut M6
10	2	093 1876 000	Popnit 4*13,7
11	1	093 1584 000	Washer 6.4
12	1	093 1669 000	Set screw
13	1	093 1940 000	Tube
14	2	093 1592 000	Clip
15	1	093 1878 000	Hose
16	1	093 1867 000	Hose coupling
17	1	093 1872 000	Valve cpl.
18	1	093 1866 000	Fitting
19	1	093 1692 000	Coupling
20	1	093 1869 000	Handle
21	1	093 1870 000	Pop rivet 3.2*11.6
22	1	093 1868 000	Cyl. pin
23	1	093 1871 000	Valve
24	1	140 5689 000	Carpet nozzle cpl.
25	1	140 2291 000	Hose sleeve
26	1	140 2148 060	Hose
27	1	093 1691 000	Quick release coupling
28	2	014 0241 030	Hose clamp
29	1	140 0550 130	Hose
30		>> 465 0225 000	Bundle strap
31	1	140 3304 030	Hose sleeve
32	1	093 1690 000	Nipple
33	1	140 0649 060	Hose complete



00-12	SPARE PARTS UC 912	BOOK C		
01-03	NOZZLE & HOSE, PART NUMBERS	C	0.6.1	13

Pos	Qty.	Part no.	Description
1	1	140 4001 010	Hose compl.
2	1	140 2148 030	Hose, by the metre
3	1	140 3304 030	Inlet sleeve
4	1	140 5132 000	Bent end piece compl.
5	1	010 8907 010	Bent end piece
6	1	140 3126 000	Handle
7	1	140 4004 000	Sleeve
8	2	011 6451 010	Extension tube
9	2	011 3377 010	Insert sleeve
10	1	140 3817 000	Brush nozzle
	1	140 4054 000	Rubber strip nozzle
11	1	093 1676 000	Cover, RH
12	1	093 1675 000	Cover, LH
13	1	093 1678 000	Clip
14	1	093 1670 000	Brush strip set (2pcs)
	1	093 1671 000	Rubber strip set (2pcs)
15	2	093 1677 000	Wheel
16	1	142 0297 000	Adjustment screw
17	1	093 1672 000	Connection tube
18	1	093 1673 000	Circlip
19	1	093 1674 000	Retainer for circlip