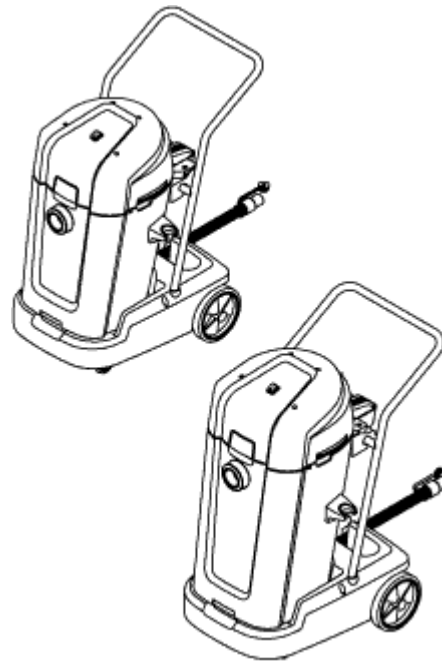


# VL500 ADVANCE

---

Model:  
VL500 - 55E  
VL500 - 75E



Part List Belgique

26-03-2013

# Table of Contents

VL500 ADVANCE

<b>Top 55-1, 75-1</b>	<b>3</b>
<b>Container 55 BSF, BDF</b>	<b>5</b>
<b>Container 75 BSF, BDF</b>	<b>7</b>
<b>Filter and bags 55, 75</b>	<b>9</b>
<b>Squeegee Accessory</b>	<b>11</b>
<b>Recommended Spare Parts</b>	<b>13</b>

# Top 55-1, 75-1

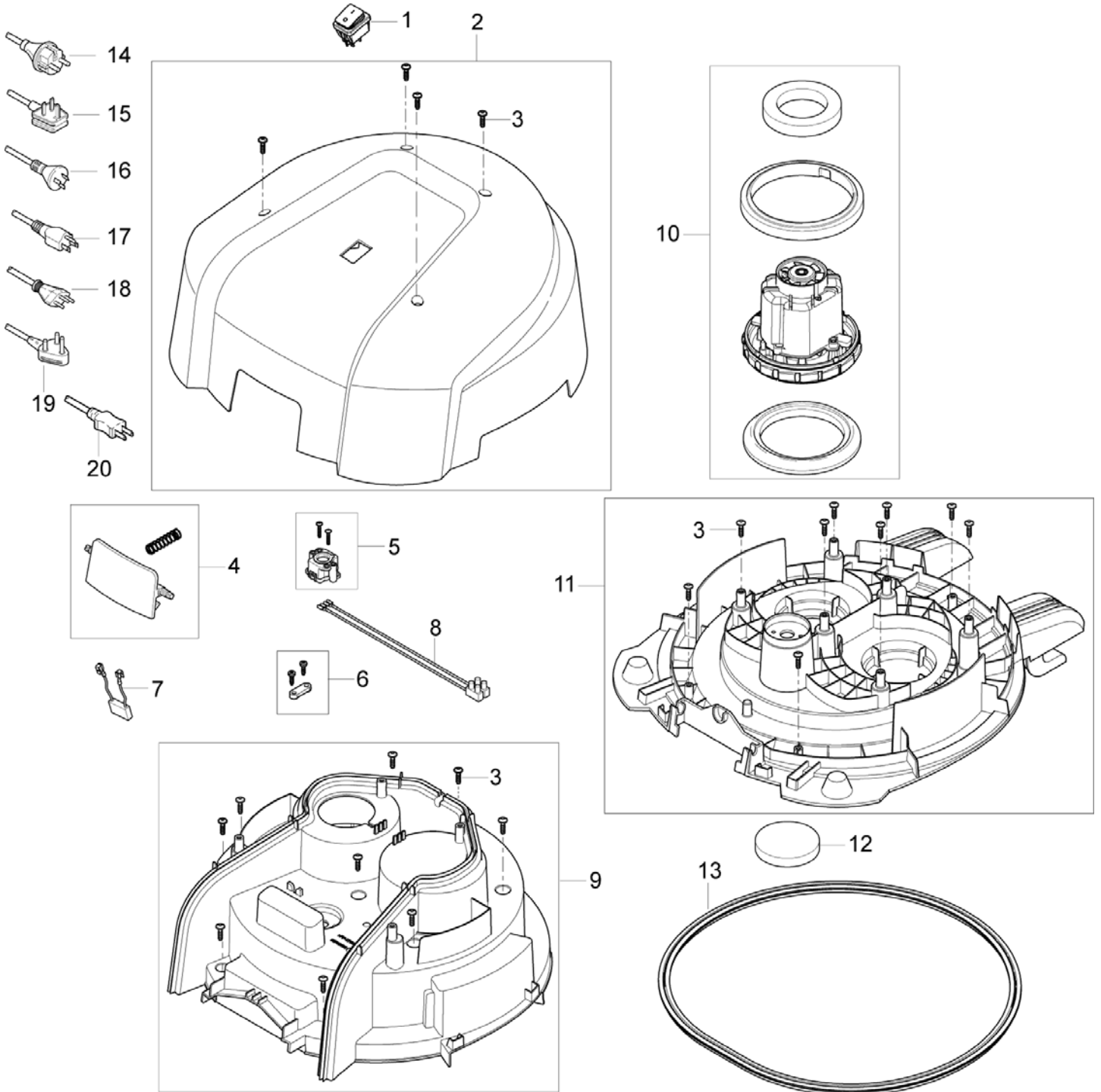
VL500 ADVANCE

26-03-2013

Part List ID

VL50004

3



# Top 55-1, 75-1

## VL500 ADVANCE

26-03-2013

Part List ID  
VL50004

4

Pos	Part no.	Qty	Description	
01	107404540	1	SET SCHAKELAAR 0-1 DUBBELE POLE SET	
01	107404540	1	INTERRUPTEUR BIPOLAIRE	
02	107407243	1	HOOD 75-55L 1 SWITCH VL500	
03	302003704	13	SCREW EJOT DELTA PT50X18WN5451	
04	107407235	1	CLAMP F. 75-55-35 L BIN VL500	
05	107407237	1	VACUUM VALVE CPL.	
06	140 6560 500	1	Trek ontlasting	
06	140 6560 500	1	FIXATION DE CABLE+ VIS	
07	48338	1	Ontstoringsfilter SQ (47 326)	
07	48338	1	CONDENSATEUR 0.22UF	
08	140 7042 500	1	Kabelset	
08	140 7042 500	1	KIT CABLAGE INTERN	
09	107407245	1	CLAMPING PLATE 55-75-1 VL500	
10	302003384	1	Turbine kit 1200W 230V	
10	302003384	1	MOTEUR 1200W 1X230 V	
10	302003388	1	Turbine kit 1000 120	US JP
10	302003388	1	TURBINE D ASPIRATION 120 VOLTS	US JP
11	107407247	1	BASEPLATE 75-55L 1 MOTOR VL500	
12	140 8682 500	1	Motorfilter GD 320/GWD300	
12	140 8682 500	1	FILTRE MOTEUR	
13	107407249	1	GASKET F. BASEPLATE 75-55L	
14	12222501	1	Snoer 10 meter Family/Business	
14	12222501	1	CABLE 10 METRES	
15	140 8262 020	1	Snoer zwart 10 meter	
16	140 8262 010	1	CORD SET 10.5 M AU PLUG	
17	107401614	1	CORD SET US/TW 3C 15.5M YELLOW	
18	12222507	1	CORD SET CH L 10M	
19	107407242	1	POWER CORD H05VV-F 2X1.00 SABS 164-1 16A	ZA
20	140 6702 500	1	CORD SET JP 15.5M	

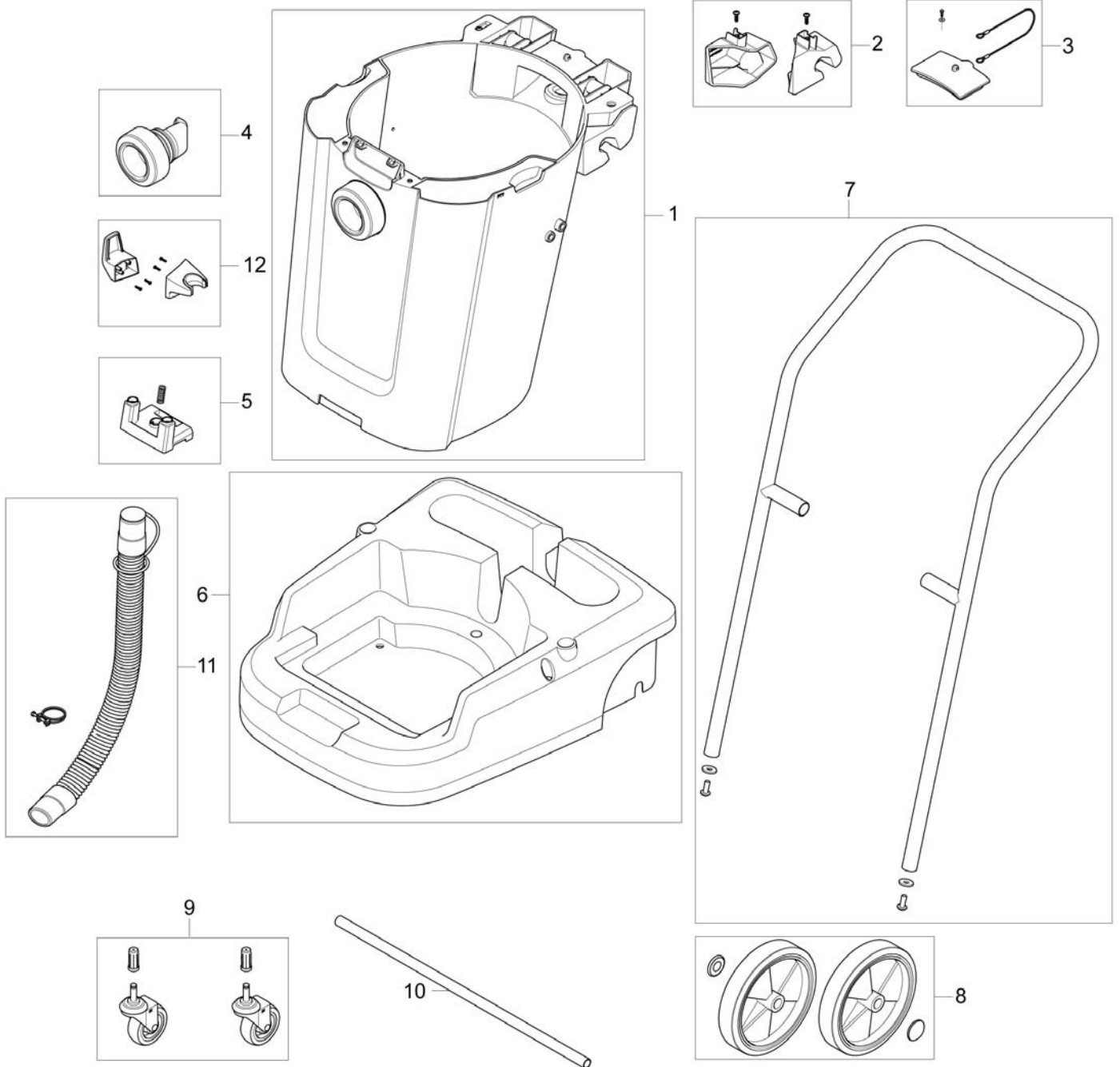
# Container 55 BSF, BDF

VL500 ADVANCE

26-03-2013

Part List ID  
VL50010

5



# Container 55 BSF, BDF

## VL500 ADVANCE

26-03-2013

Part List ID  
VL50010

6

Pos	Part no.	Qty	Description
01	107407260	1	CONTAINER 55L VL500
02	107407262	1	BRACKET LEFT-RIGHT F. 55L VL500
03	107407266	1	SPOUT CAP
04	107407258	1	INLET ROUND VL500
05	107407267	1	PUSH-BUTTON F. EASY-TILT 55L VL500
06	107407269	1	FRAME F. BASIC TROLLEY VL500
07	107407271	1	HANDLE F. BASIC TROLLEY VL500
08	140 9543 500	1	REAR WHEEL
09	140 5476 500	1	Wheel link trolley
09	140 5476 500	1	ROUES PIVOT + CHEVILLES
10	107407272	1	WHEEL 200MM WITH AXLE
11	107407273	1	DRAINHOSE F. 55L BIN
12	107408911	1	CABLE HOOK AND TUBE HOLDER VL500

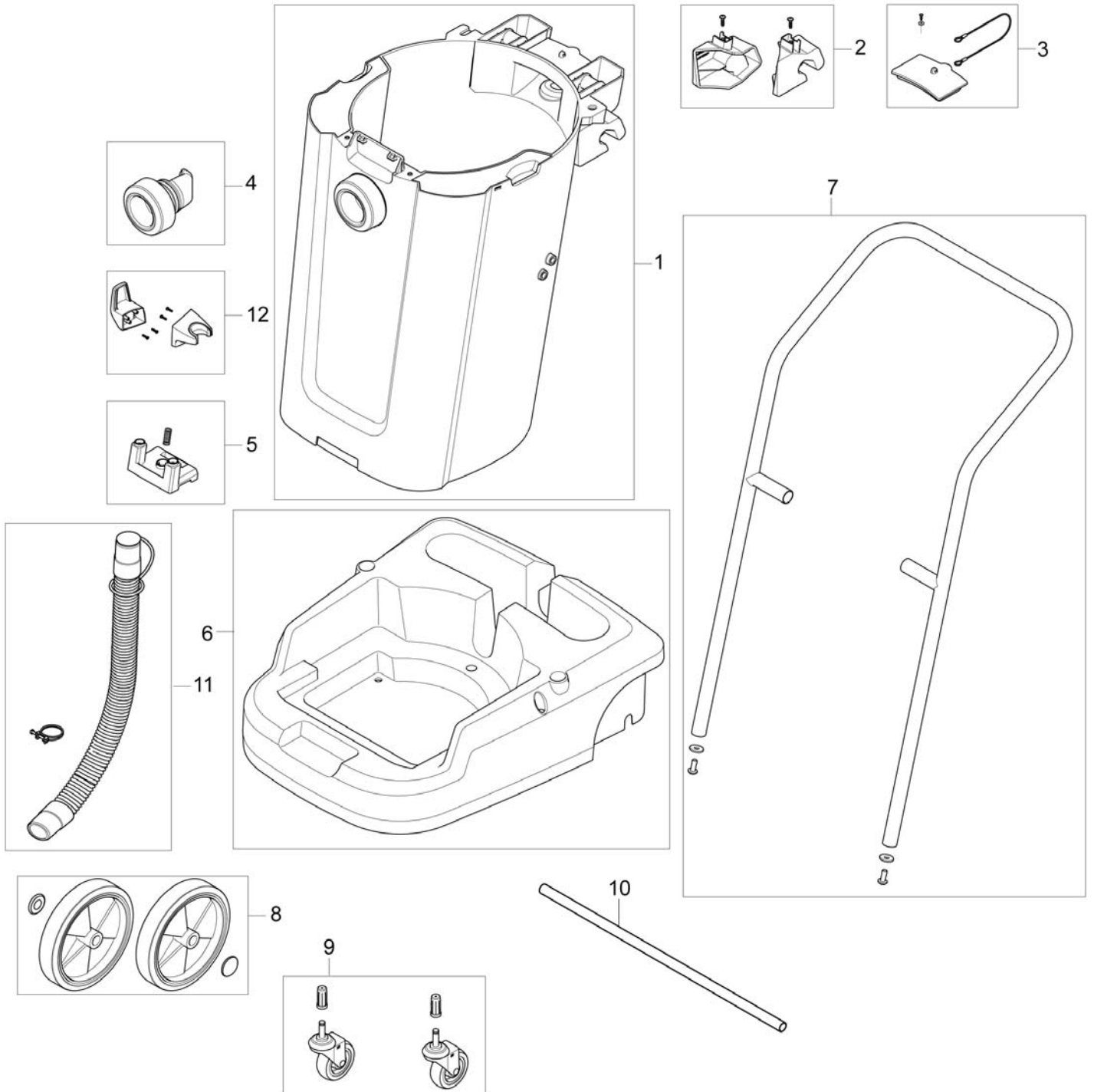
# Container 75 BSF, BDF

VL500 ADVANCE

26-03-2013

Part List ID  
VL50012

7



# Container 75 BSF, BDF

VL500 ADVANCE

26-03-2013

Part List ID  
VL50012

8

Pos	Part no.	Qty	Description
01	107407274	1	CONTAINER 75L VL500
02	107407276	1	BRACKET LEFT-RIGHT F. 75L
03	107407266	1	SPOUT CAP
04	107407258	1	INLET ROUND VL500
05	107407280	1	PUSH-BUTTON F. EASY-TILT 75L VL500
06	107407269	1	FRAME F. BASIC TROLLEY VL500
07	107407282	1	HANDLE F. BASIC TROLLEY 75L
08	140 9543 500	1	REAR WHEEL
09	140 5476 500	1	Wheel link trolley
09	140 5476 500	1	ROUES PIVOT + CHEVILLES
10	107407272	1	WHEEL 200MM WITH AXLE
11	107407307	1	DRAINHOSE F. 75L BIN
12	107408911	1	CABLE HOOK AND TUBE HOLDER VL500



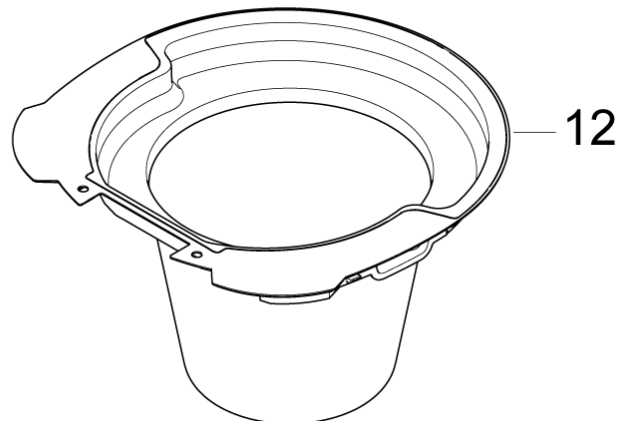
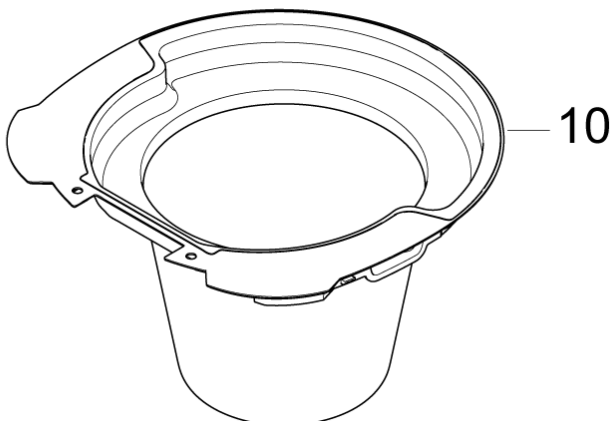
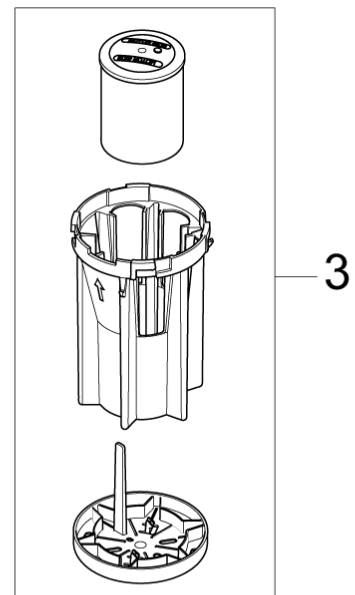
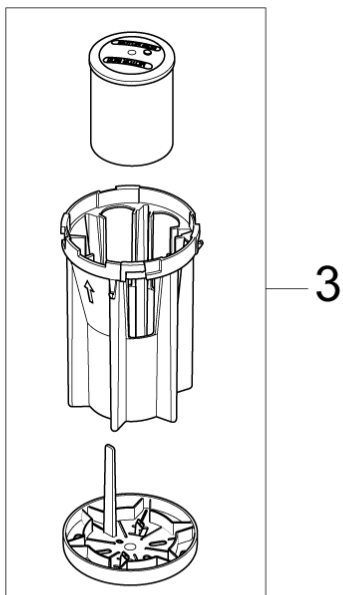
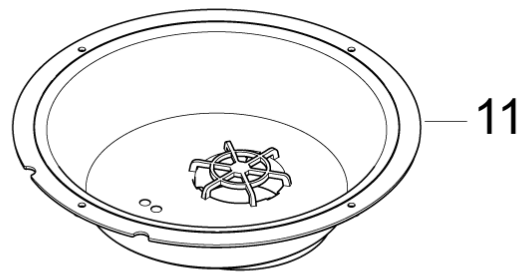
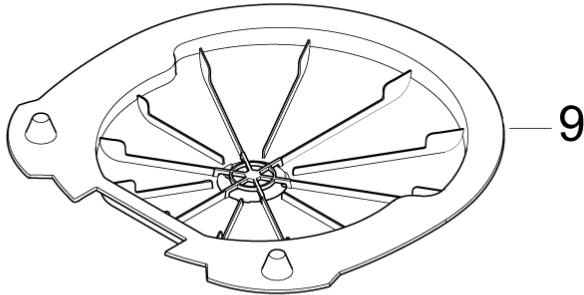
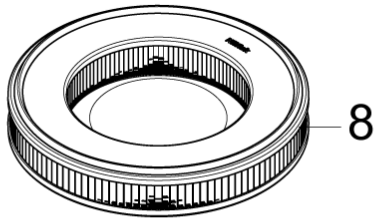
# Filter and bags 55, 75

VL500 ADVANCE

26-03-2013

Part List ID VL50022

9



# Filter and bags 55, 75

VL500 ADVANCE

26-03-2013

Part List ID  
VL500ZZ

10

Pos	Part no.	Qty	Description	
02	140 8682 500	1	Motorfilter GD 320/GWD300	
02	140 8682 500	1	FILTRE MOTEUR	
03	140 8680 500	1	Float basket GWD 300 serie	
03	140 8680 500	1	PANNIER + FLOTTEUR	
08	107407300	1	CARTRIGE FILTER 75L	BDF, EDF
09	107407301	1	DRYFILTER BOX	BDF, EDF
10	107407302	1	WETFILTER 75-55L	BDF, EDF
11	107407303	1	FLOATER ADAPTER 55-75L	BSF
12	107407304	1	SACK FILTER 55-75L	BSF

# Squeegee Accessory

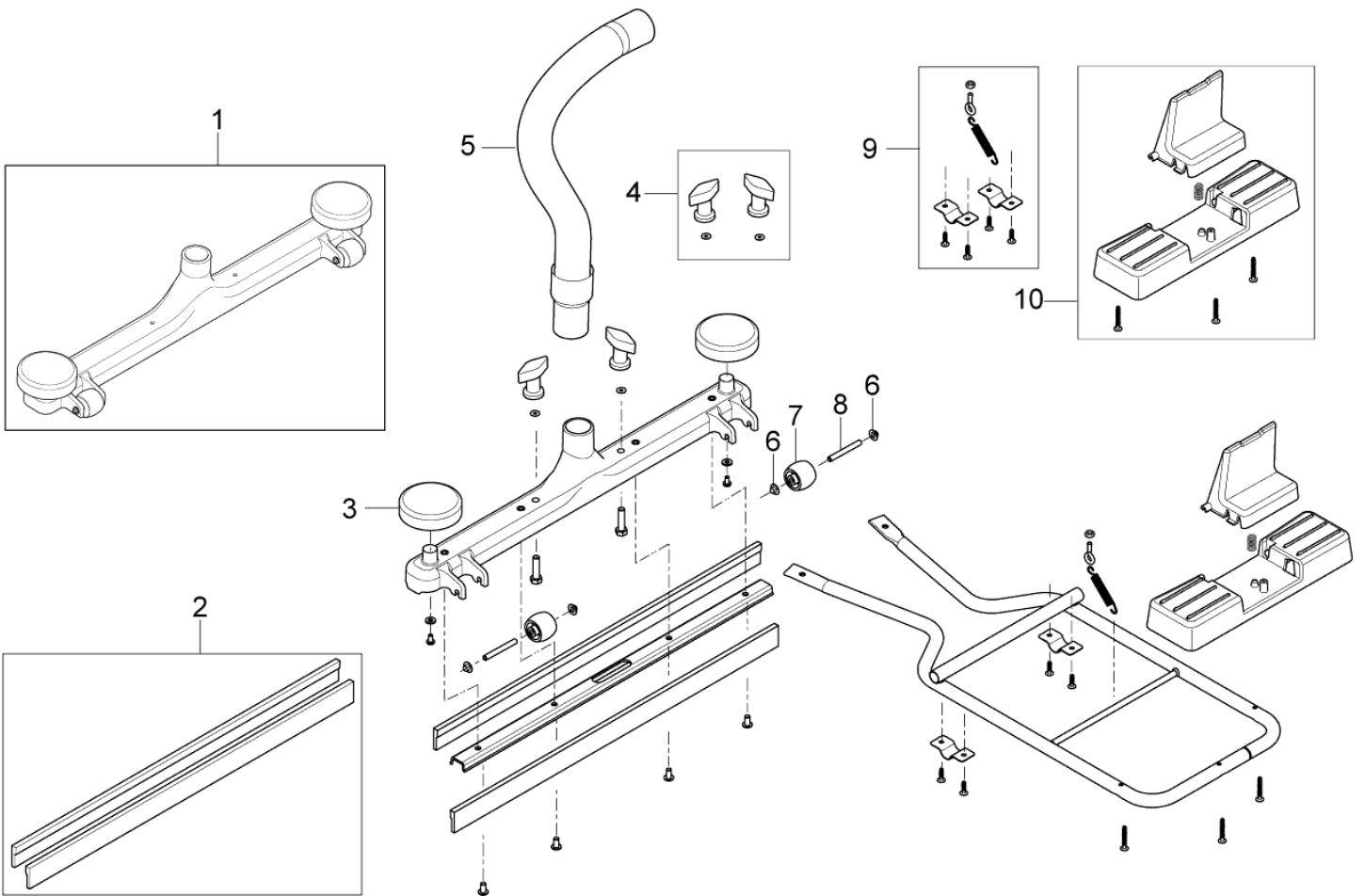
VL500 ADVANCE

26-03-2013

Part List ID

VL50024

11



# Squeegee Accessory

VL500 ADVANCE

26-03-2013

Part List ID  
VL50024

12

Pos	Part no.	Qty	Description
0	107407051	1	SQUEEGEE COMPLETE ANTHRACIT GREY
01	56209088	1	Vastvloerenmondstuk GW 1030
01	56209088	1	EMBOUCHURE COMPLETE
02	56105533	1	Strip
02	56105533	1	LAMELLE EMB FIXE GW
03	56209157	2	Bumper zijroller
03	56209157	2	ROULETTE PROTECTION
04	140 7947 500	1	NUT THUMB 5/16
05	107408917	1	HOSE FOR SQUEEGEE
06	56009132	4	Nut push cap 1/4
06	56009132	4	ECROU
07	56329554	2	Roller
07	56329554	2	ROULETTE EMBOUCHURE
08	56209150	2	Axle Roller
08	56209150	2	AXE DE ROUE
09	107408918	1	MOUNTING KIT FOR SQUEEGEE
10	107408916	1	PEDAL FOR SQUEEGEE GREY

# Recommended Spare Parts

VL500 ADVANCE

26-03-2013

Part List ID  
VL500ADV14

13

No Drawing For Part List

# Recommended Spare Parts

VL500 ADVANCE

26-03-2013

Part List ID  
VL500ADV14

14

Pos	Part no.	Qty	Description
	107404540	1	SET SCHAKELAAR 0-1 DUBBELE POLE SET
	107404540	1	INTERRUPTEUR BIPOLAIRE
	107407235	1	CLAMP F. 75-55-35 L BIN VL500
	107407237	1	VACUUM VALVE CPL.
	107407249	1	GASKET F. BASEPLATE 75-55L
	107407258	1	INLET ROUND VL500
	107407262	1	BRACKET LEFT-RIGHT F. 55L VL500
	107407266	1	SPOUT CAP
	107407267	1	PUSH-BUTTON F. EASY-TILT 55L VL500
	107407273	1	DRAINHOSE F. 55L BIN
	107407276	1	BRACKET LEFT-RIGHT F. 75L
	107407280	1	PUSH-BUTTON F. EASY-TILT 75L VL500
	107407300	1	CARTRIGE FILTER 75L
	107407301	1	DRYFILTER BOX
	107407302	1	WETFILTER 75-55L
	107407303	1	FLOATER ADAPTER 55-75L
	107407304	1	SACK FILTER 55-75L
	107407307	1	DRAINHOSE F. 75L BIN
	12222501	1	Snoer 10 meter Family/Business
	12222501	1	CABLE 10 METRES
	140 5476 500	1	Wheel link trolley
	140 5476 500	1	ROUES PIVOT + CHEVILLES
	140 8680 500	1	Float basket GWD 300 serie
	140 8680 500	1	PANNIER + FLOTTEUR
	140 8682 500	1	Motorfilter GD 320/GWD300
	140 8682 500	1	FILTRE MOTEUR
	302003384	1	Turbine kit 1200W 230V
	302003384	1	MOTEUR 1200W 1X230 V
	302003388	1	Turbine kit 1000 120
	302003388	1	TURBINE D ASPIRATION 120 VOLTS
	48338	1	Ontstoringsfilter SQ (47 326)
	48338	1	CONDENSATEUR 0.22UF