

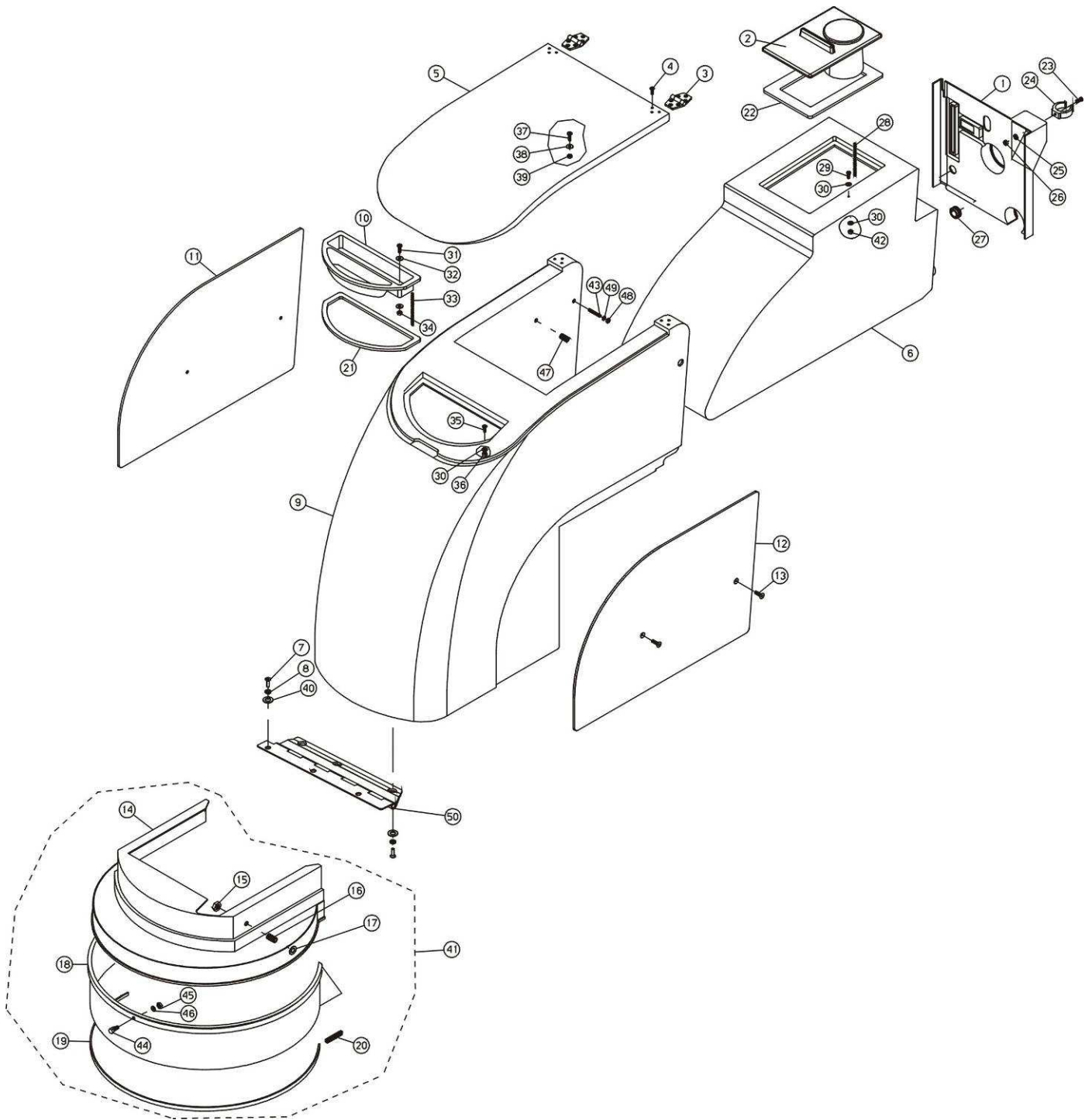


N45B – N53BNEW

PARTI DI RICAMBIO
SPARE PARTS
PIECES DETACHEES
ERSATZTEILE



ING. O. FIORENTINI
INDUSTRIAL CLEANING MACHINE

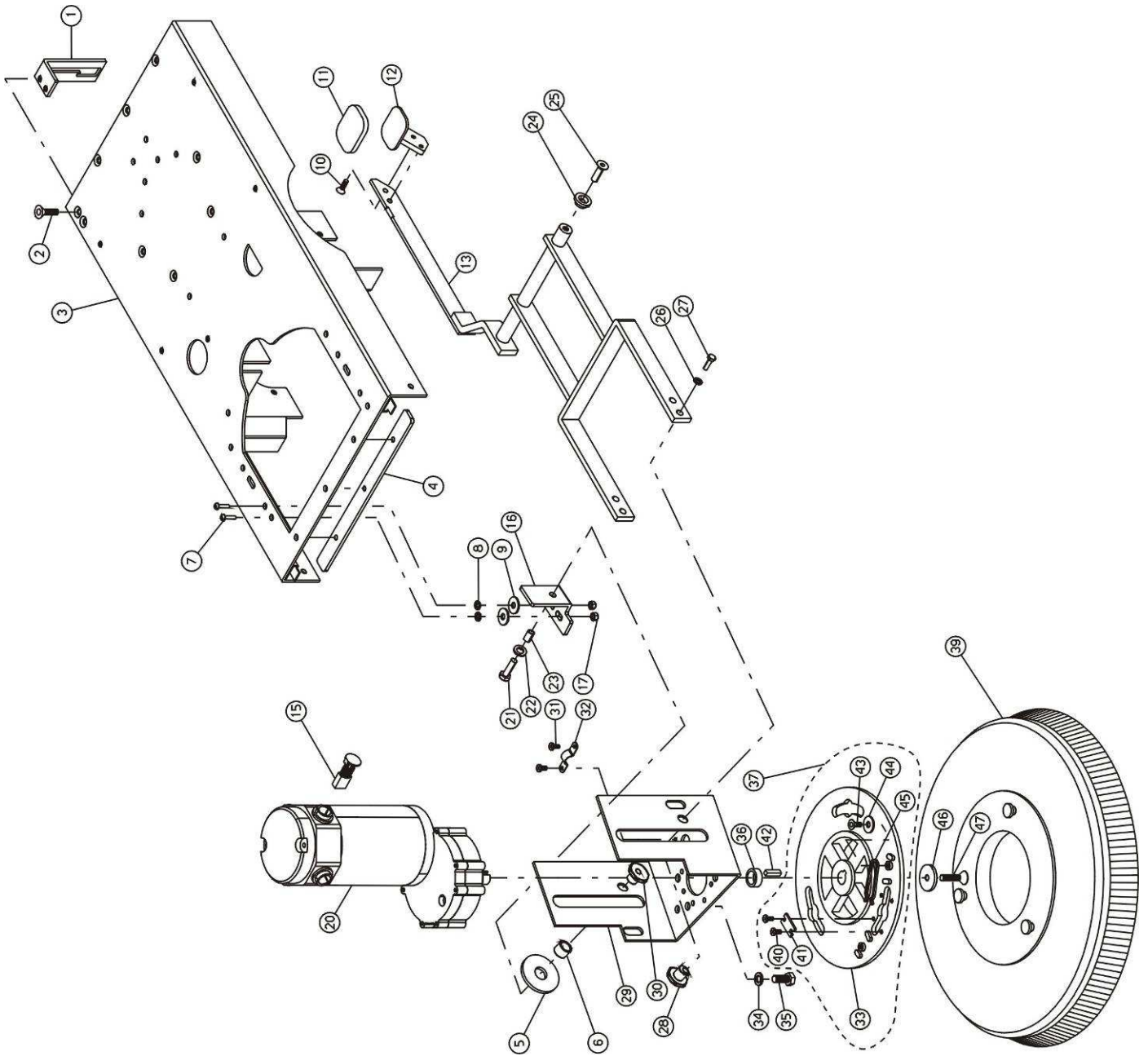




N.Position	Code Num	Qta	Descrizione	Description	Description	Bezeichnung
N45.01.001	CA277	1	CARTER POSTERIORE PER N45 NEW	FRONT COVER FOR N45NE	CARTER POSTERIEUR	RUECKGEHAEUSE
N45.01.002	CO150	1	COPERCHIO SERBATOIO RECUPERO	TANK COVER	COUVERCLE	DECKEL
N45.01.003	MV080	2	CERNIERA IN PLASTICA NERA	HINGE	CHARNIERE	SCHARNIER
N45.01.004	VS410	12	VITE SVASATA T/C M4x10 UNI 7688 INO	SCREW	VIS	SENKSCHRAUBE
N45.01.005	CO139	1	COFANO MACCHINA	MACHINE HOOD	CAPOT MACHINE	MOTORHAUBE
N45.01.005	CO139N	1	COFANO MACCHINA NERO	BLACK MACHINE BONNET	CAPOT MACHINE NOIR	SCHWARZE MOTORHAUBE
N45.01.005	CO139V	1	COFANO MACCHINA VERDE	GREEN MACHINE BONNET	CAPOT MACHINE VERT	GRUENE MOTORHAUBE
N45.01.006	SB103	1	SERBATOIO RECUPERO NEUTRO	RECOVERY TANK	RESERVOIR	BEHAELTER
N45.01.006	SB103G	1	SERBATOIO RECUPERO GRIGIO	RECOVERY TANK - GREY	RESERVOIR RECIPER. GR	GRAUER BEHAELTER
N45.01.006	SB103R	1	SERBATOIO RECUPERO ROSSO RAL3000	RECOVERY TANK - RED R	RESERVOIR RECUP. ROUG	ROTER BEHAELTER
N45.01.007	VV432	6	VITE SVAS.BRUGOLA M6x20 UNI5933/77	SCREW	VIS	SENKSCHRAUBE
N45.01.008	RO455	6	RONDELLA SPACCATA DIAM. 8 UNI 1751A	INOX WASHER	RONDELLE	SCHIEBE
N45.01.009	SB102	1	SERBATOIO SOLUZIONE NEUTRO	SOLUTION TANK	RESERVOIR	BEHAELTER
N45.01.009	SB102G	1	SERBATOIO SOLUZIONE GRIGIO	SOLUTION TANK GREY	RESERVOIR SOLUTION GR	GRAUER BEHAELTER
N45.01.009	SB102R	1	SERBATOIO SOLUZIONE ROSSO	SOLUTION TANK RED	RESERVOIR SOLUTION RO	ROTER BEHAELTER
N45.01.010	CO151	1	COPERCHIO SERBATOIO SOLUZIONE	SOLUTION TANK COVER	COUVERCLE	DECKEL
N45.01.011	PA181	1	PANNELLO LATERALE DESTRO	RIGHT SIDE PANEL	PANNEAU	SEITENTAFEL, R.
N45.01.011	PA181N	1	PANNELLO LATERALE DESTRO NERO	RIGHT SIDE PANEL-BLAC	PANNEAU LATERALE DROI	SHWARZE SEITENTAFEL RECHTS
N45.01.011	PA181V	1	PANNELLO LATERALE DESTRO VERDE	RIDE SIDE PANEL-GREEN	PANNEAU LATERAL DROIT	GRUENE SEITENTAFEL RECHTS
N45.01.012	PA182	1	PANNELLO LATERALE SINISTRO	LEFT SIDE PANEL	PANNEAU	SEITENTAFEL, L.
N45.01.012	PA182N	1	PANNELLO LATERALE SINISTRO NERO	LEFT SIDE PANEL-BLACK	PANNEAU LATERAL GAUCH	SCHWARZE SEITENTAFEL LINKS
N45.01.012	PA182V	1	PANNELLO LATERALE SINISTRO VERDE	LEFT SIDE PANEL-GREEN	PANNEAU LATERAL GAUCH	GRUENE SEITENTAFEL LINKS
N45.01.013	VS413	4	VITE SVASATA TC M5x12 UNI 7688 INOX	SCREW	VIS	SENKSCHRAUBE
N45.01.014	CA294	1	CARTER PROTEZIONE SPAZZOLA N45NEW	BRUSH PROTECTION COVE	CARTER PROTECTION BRO	SCHUTZGEHAEUSE
N45.01.015	DD212	2	DADO M12 SPES.S.mm.8 UNI 5589/65	NUT	ECROU	MUTTER
N45.01.016	MI139	2	PUNTALE A SFERA M12	SETSCREW	VIS DE BLOCAGE	STELLSCHRAUBE
N45.01.017	BO177	2	BOCCOLA PER FISSAGGIO CARTER	BUSHING	COQUILLE DE FIXAGE CO	BUCHSE
N45.01.018	BP186	1	BUMPER CARTER SPAZZOLA	BRUSH CASE BUMPER	GARDE-BOUE	GEHAEUSE
N45.01.019	LM357	1	LISTELLO BUMPER L=995	BUMPER STIP	LARDON	GEHAEUSELEISTE
N45.01.020	ML002	2	MOLLA ZINC BUMPER	GALVANIZED SPRING	RESSORT	FEDER
N45.01.021	GR105	1	GUARNIZIONE SERBATOIO SOLUZIONE	SOLUTION TANK GASKET	GARNITURE	DICHTUNG
N45.01.022	GR104	1	GUARNIZIONE SERBATOIO RECUPERO	RECOV. TANK GASKET	GARNITURE	DICHTUNG
N45.01.023	VC413	1	VITE CILIN.CROCE M5x16 UNI 7687 INO	SCREW	VIS	ZYLINDERSCHRAUBE
N45.01.024	ML022	1	MOLLA PER TUBO FLEX	SPRING	RESSORT	FEDER
N45.01.025	RO500	1	RONDELLA SLARG.D.5X15 UNI6592/69 IN	INOX WASHER	RONDELLE	SCHIEBE
N45.01.026	DD452	1	DADO AUTOBLOCCANTE M5 INOX	INOX SELF-LOCKING NUT	ECROU DE SURETE	SICHERUNGSMUTTER
N45.01.027	PY240	1	PASSACAVO TELAIO MEDIO	FAIRLEAD	PASSE-CABLE	KABELDURCHGANG
N45.01.028	MI334	1	CATENELLA CON 30 MAGLIE	CHAIN	CHAINE A/30 MAILLES	KETTE MIT 30 GLIEDER
N45.01.029	VC404	1	VITE CILIN.CROCE M4X16 UNI 7687 INO	SCREW	VIS	ZYLINDERSCHRAUBE
N45.01.030	RO505	3	RONDELLA SLARG.D.4x12 UNI6593 INOX	WASHER	RONDELLE	SCHIEBE
N45.01.031	VC410	1	VITE CILIN.CROCE M5x12 UNI 7687 INO	SCREW	VIS	ZYLINDERSCHRAUBE
N45.01.032	RO500	3	RONDELLA SLARG.D.5X15 UNI6592/69 IN	INOX WASHER	RONDELLE	SCHIEBE
N45.01.033	MI171	1	CATENELLA 7 MAGLIE 1.5x8x17	CHAIN	CHAIN	KETTE
N45.01.034	DD452	1	DADO AUTOBLOCCANTE M5 INOX	INOX SELF-LOCKING NUT	ECROU DE SURETE	SICHERUNGSMUTTER
N45.01.035	VS414	1	VITE SVASATA TC M5x16 UNI7688 INOX	SCREW	VIS	SENKSCHRAUBE
N45.01.036	DD452	1	DADO AUTOBLOCCANTE M5 INOX	INOX SELF-LOCKING NUT	ECROU DE SURETE	SICHERUNGSMUTTER
N45.01.037	VE422	1	VITE ESAGONALE M5X12 UNI5737-77 INO	SCREW	VIS	SCHRAUBE
N45.01.038	RO500	2	RONDELLA SLARG.D.5X15 UNI6592/69 IN	INOX WASHER	RONDELLE	SCHIEBE
N45.01.039	DD452	1	DADO AUTOBLOCCANTE M5 INOX	INOX SELF-LOCKING NUT	ECROU DE SURETE	SICHERUNGSMUTTER
N45.01.040	RO502	6	RONDELLA SLARG. D.8X24 UNI6593 INOX	INOX WASHER	RONDELLE	SCHIEBE
N45.01.041	KIT978	1	KIT ASSEMBLAGGIO CARTER N45BNEW	CASE ASSY	CARTER ASSEMBLAGE	GEHAEUSEZUSAMMEN
N45.01.042	DD451	1	DADO AUTOBLOCCANTE M4 INOX UNI 7473	SELF-LOCKING NUT	ECROU DE SURETE	SICHERUNGSMUTTER
N45.01.043	VG053	2	GRANO M6x30 CON PUNTA	DOWEL M6x30	GRAIN M6x30	DUEBEL
N45.01.044	VC433	3	VITE CILIN.CROCE M3x12 UNI 7687 INO	SCREW M3x12	VIS CYLINDRIQUE	ZYLINDERSCHRAUBE
N45.01.045	DD450	3	DADO AUTOBLOCCANTE M3 INOX	NUT	ECROU	MUTTER
N45.01.046	RO515	3	RONDELLA GREMBIALINA 3X9 UNI659	WASHER	RONDELLE	SCHIEBE
N45.01.047	VG053	2	GRANO M6x30 CON PUNTA	DOWEL M6x30	GRAIN M6x30	DUEBEL
N45.01.048	DD404	2	DADO M6 UNI 5588 INOX	STAINLESS STEEL NUT	ECROU	MUTTER
N45.01.049	RO501	8	RONDELLA SLARG.D.6X18 UNI6593 INOX	INOX WASHER	RONDELLE	SCHIEBE
N45.01.050	MV163	1	CERNIERA APERTURA SERBATOIO RECUPER	HINGE FOR RECOVERY TA	CHARNIERE OUIVERTURE	SCHARNIER

N 53BNEW

N.Position	Code Num	Qta	Descrizione	Description	Description	Bezeichnung
01.014	CA293	1	CARTER SPAZZOLA	BRUSH CASE	COUVERCLE	GEHAEUSE
01.018	BP187	1	BUMPER CARTER SPAZZOLA	BRUSH CASE BUMPER	GARDE BOUE	GEHAEUSE
01.019	LM364	1	LISTELLO BUMPER L=1100	BUMPER STIP	LARDON	GEHAEUSELEISTE
01.041	KIT979	1	ASSEMBL. CARTER SPAZZOLA N53	PLAST.ASSY	ASS.DETAIL	EINZELTEILZ

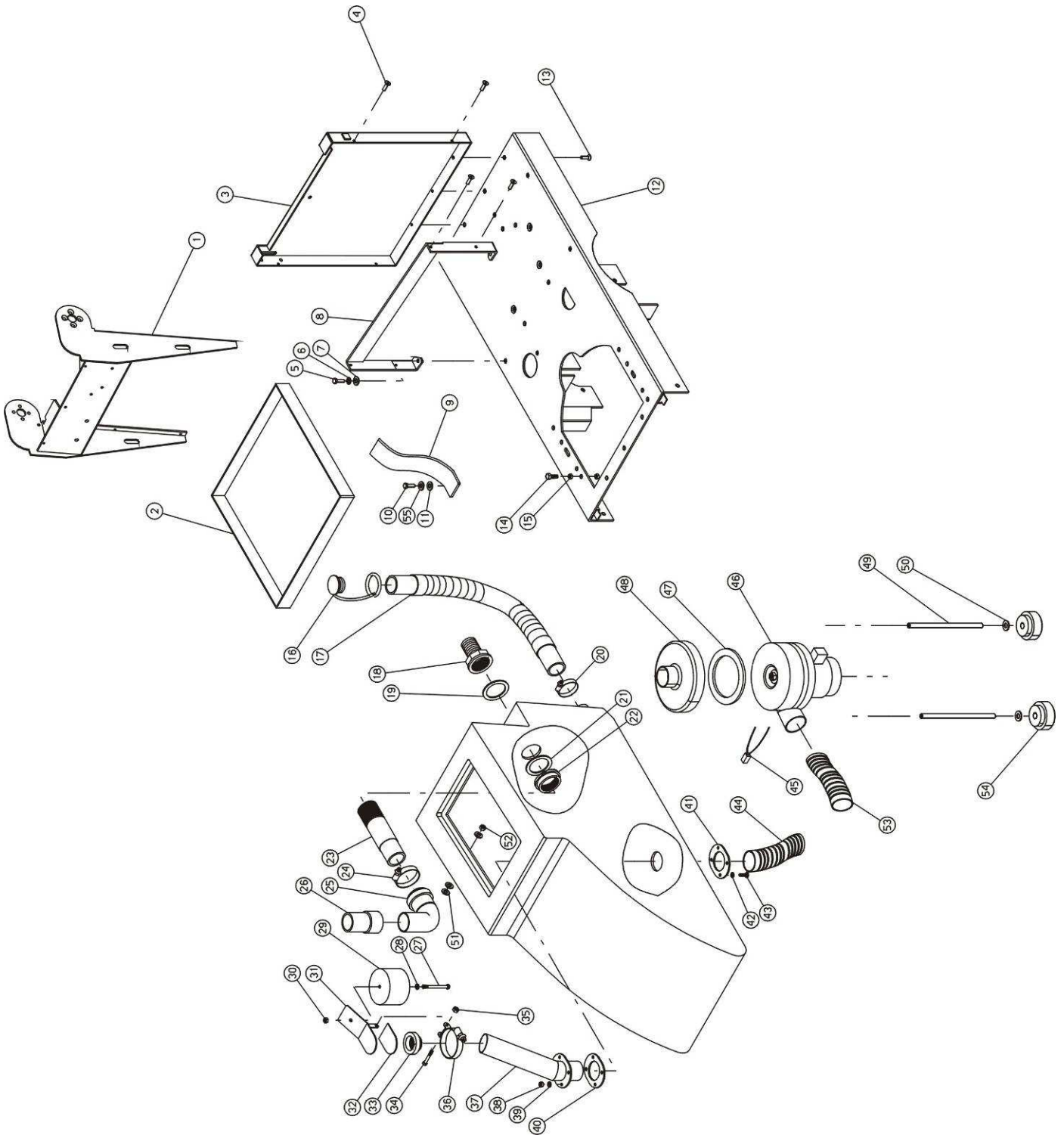




N.Position	Code Num	Qta	Descrizione	Description	Description	Bezeichnung
N45.02.001	ST071	1	STAFFA A L. GUIDA LEVA PIATTO SPAZZO	BRACKET	SUPPORT	BUEGEL
N45.02.002	VS421	2	VITE SVASATA TC M6x12 UNI 7688 INOX	SCREW	VIS	SENKSCHAUBE
N45.02.003	TP102	1	TELAIO BASE N45-53E/B	BASE FRAME	CHASSIS	HAUPTTRAHMEN
N45.02.004	LM718	1	LISTELLO RINFORZO TELAI0 N53BNEW	CHASSIS REINFORCEMENT	LATTE REINFORCEMENT C	RAHMENVERSTAERKUNG
N45.02.005	DT130	4	DISTANZ. SCORRIMENTO PIATTO SPAZZ.	SPACER	ENTRETOISE	DISTANZSTUECK
N45.02.006	BO272	2	BOCCOLA ANTIVIBRANTE	BUSH	DOUILLE	BUCHSE
N45.02.007	VB430	2	VITE CIL.BRUGOLA M8x16 UNI 5931 INO	SCREW	VIS	ZYLINDERSCHRAUBE
N45.02.008	RO455	2	RONDELLA SPACCATA DIAM. 8 UNI 1751A	INOX WASHER	RONDELLE	SCHIEBE
N45.02.009	RO502	2	RONDELLA SLARG. D.8X24 UNI6593 INOX	INOX WASHER	RONDELLE	SCHIEBE
N45.02.010	VS426	2	VITE SVASATA TC M6x14 UNI 7688 INOX	SCREW M6x14	VIS	SENKSCHAUBE
N45.02.011	IS001	1	RIVESTIMENTO PEDALE (grande)	PEDAL COVER	REVEITEMENT	PEDALSVERKLEIDUNG
N45.02.012	LM175	1	PEDALE LEVA SOLL. PIATTO E SQUEEGEE	LIFT.LEVER PEDAL	PEDALE	HEBELSPEDAL
N45.02.013	LV411	1	LEVA SOLLEVAMENTO SPAZZOLA	BRUSH LIFTING LEVER	LEVIER SOULEVEMENT BR	BUERSTENHEBEL
N45.02.015	MP084	4	SPAZZOLA MOTORE 9x19 Lg=31 ELETTROG	BRUSH	CHARBON	KOHL
N45.02.016	ST174	1	STAFFA REGOLAZIONE MOTORE SPAZZOLE	BRACKET FOR BRUSH MOT	MOULE REGULATION MOTE	BUEGEL
N45.02.017	DD454	2	DADO AUTOBLOCCANTE M8 INOX	INOX SELF-LOCKING NUT	ECROU DE SURETE	SICHERUNGSMUTTER
N45.02.020	MO213	1	MOTORIDUTTORE FIORENTINI 750W 36V	GEARMOTOR	MOTOREDUCTEUR	GETRIEBEMOTOR
N45.02.021	VE492	1	VITE ESAGONALE M10x25 UNI 5737/77 I	SCREW	VIS	SCHRAUBE
N45.02.022	RO456	1	ROSETTA SPACCATA D.10 UNI 1751 INOX	INOX WASHER	RONDELLE	SCHIEBE
N45.02.023	MI383	1	TAMPONE ANTIVIBRANTE	BUFFER	TAMPON	PUFFER
N45.02.024	BO120	1	BOCCOLA OSCILLAZIONE MANICO	BUSH	DOUILLE	BUCHSE
N45.02.025	VV442	2	VITE SVAS.BRUGOLA M8x30 UNI5933 INO	SCREW	VIS	SCHRAUBE
N45.02.026	RO456	2	ROSETTA SPACCATA D.10 UNI 1751 INOX	INOX WASHER	RONDELLE	SCHIEBE
N45.02.027	VE481	2	VITE ESAGONALE M10X20 UNI 5737/77 I	SCREW	VIS	SCHRAUBE
N45.02.028	BO271	1	BOCCOLA ECCENTRICA PIATTO SPAZZ.	BRUSH PLATE BUSH	COQUILLE PLATEAU BROS	BUCHSE
N45.02.029	SU365	1	SUPPORTO MOTORIDUTTORE SPAZZOLA	GEARMOTOR SUPPORT	MOTOREDUCTEUR SUPPORT	GETRIEBEMOTORHALTER
N45.02.030	BO271	1	BOCCOLA ECCENTRICA PIATTO SPAZZ.	BRUSH PLATE BUSH	COQUILLE PLATEAU BROS	BUCHSE
N45.02.031	VC411	2	VITE CILIN.CROCE M5x8 UNI 7687 INOX	SCREW	VIS	ZYLINDERSCHRAUBE
N45.02.032	MI140	1	FERMATUBO D.16mm	STOP COLLAR	COLLIER D'ATTACHE	SCHELLE
N45.02.033	FL059	1	FLANGIA ATTACCO SPAZZOLA 20°	BRUSH CONNEC.FLANGE	FLASQUE	FLANSCH
N45.02.034	RO456	4	ROSETTA SPACCATA D.10 UNI 1751 INOX	INOX WASHER	RONDELLE	SCHIEBE
N45.02.035	WE260	4	VITE A TESTA ESAGONALE 3/8"x3/4"	SCREW	VIS	SECHSSECKIGE SCHRAUBE
N45.02.036	DT050	1	DISTANZIALE MOTORE TRAZIONE	DRIVE MOTOR SPACER	ENTRETOISE	DISTANZSTUECK
N45.02.037	KIT410	1	ASSEMBL. FLANGIA SPAZZ.*FANT*	FLANGE ASSY	ASS.FLASQUE	FLANSCH SUMMENBAU
N45.02.039	SZ025	1	SPAZZOLA NYLON D.450 FORO 132	NYLON BRUSH	BROSSE NYLON	BUERSTE
N45.02.039	SZ025A	1	SPAZZOLA ACCIAIO D.450 FORO 132	STEEL BRUSH	BROSSE ACIER	BUERSTE
N45.02.039	SZ025B	1	SPAZZOLA BASSINE D.450 FORO 132	BASSINE BRUSH	BROSSE BASSINE	BUERSTE
N45.02.039	SZ025C	1	SPAZZOLA TYNEX D.450 FORO 132	TYNEX BRUSH	BROSSE TYNEX	BUERSTE
N45.02.039	SZ025M	1	SPAZZOLA MOQUETTE D.450 FORO 132	CARPET BRUSH	BROSSE MOQUETTE	BUERSTE
N45.02.039	SZ025Y	1	SPAZZOLA NYLON/ACCIAIO D.450 FORO 1	NYLON/STEEL BRUSH	BROSSE NYLON/ACIER	BUERSTE
N45.02.039	TS027	1	DISCO TRASCINATORE D.450 FORO 132	PAD HOLDER D.450	DISQUE ENTRAINEUR D.4	MITNEHMERSCHIEBE
N45.02.040	VS413	2	VITE SVASATA TC M5x12 UNI 7688 INOX	SCREW	VIS	SENKSCHAUBE
N45.02.041	PT099	1	PIASTRINO DI ARRESTO	PLATE	PLAQUETTE	PLAETTCHEN
N45.02.042	CH048	1	LINGUETTA 6.3x6.3x25 FORMA A	TONGUE	CLAVETTE	PASSFEDER
N45.02.043	VS421	1	VITE SVASATA TC M6x12 UNI 7688 INOX	SCREW	VIS	SENKSCHAUBE
N45.02.044	RO404	1	RONDELLA NORM.DIAM. 8 UNI 6592 INOX	INOX WASHER	RONDELLE	SCHIEBE
N45.02.045	ML101	1	MOLLA BLOCCAGGIO SPAZZOLA	SPRING	RESSORT	FEDER
N45.02.046	VI020	1	RONDELLA SPECIALE SVASATA -	WASHER	RONDELLE	SENKSCHEIBE
N45.02.047	WV044	1	VITE BRUGOLA SVASATA 5/16"x30	SCREW 5/16"x30	VIS	SCHRAUBE

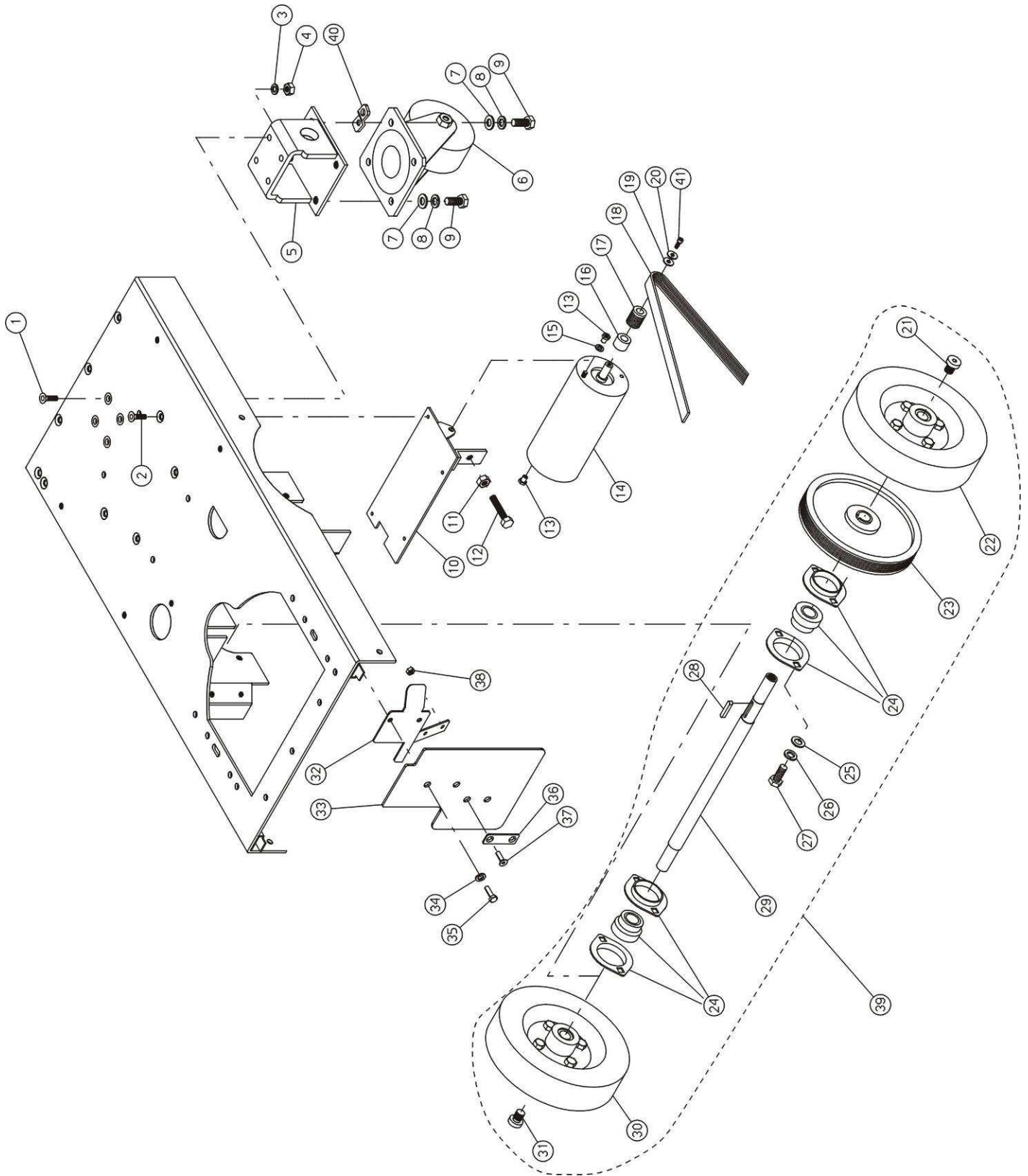
N53BNEW

N.Position	Code Num	Qta	Descrizione	Description	Description	Bezeichnung
02.039	SZ026	1	SPAZZOLA NYLON D.530 FORO 132	BRUSH	BROSSE	BUERSTE
02.039	SZ026A	1	SPAZZOLA ACCIAIO D.530 FORO 132	BRUSH	BROSSE	BUERSTE
02.039	SZ026B	1	SPAZZOLA BASSINE D.530 FORO 132	BRUSH	BROSSE	BUERSTE
02.039	SZ026C	1	SPAZZOLA TYNEX D.530 FORO 132	BRUSH	BROSSE	BUERSTE
02.039	SZ026Y	1	SPAZZOLA NYLON/ACCIAIO D.530	BRUSH	BROSSE	BUERSTE
02.039	TS028	1	DISCO TRASCINATORE D.530	PAD HOLDER	DISQUE ENTRAINEUR	MITNEHMERSCHIEBE



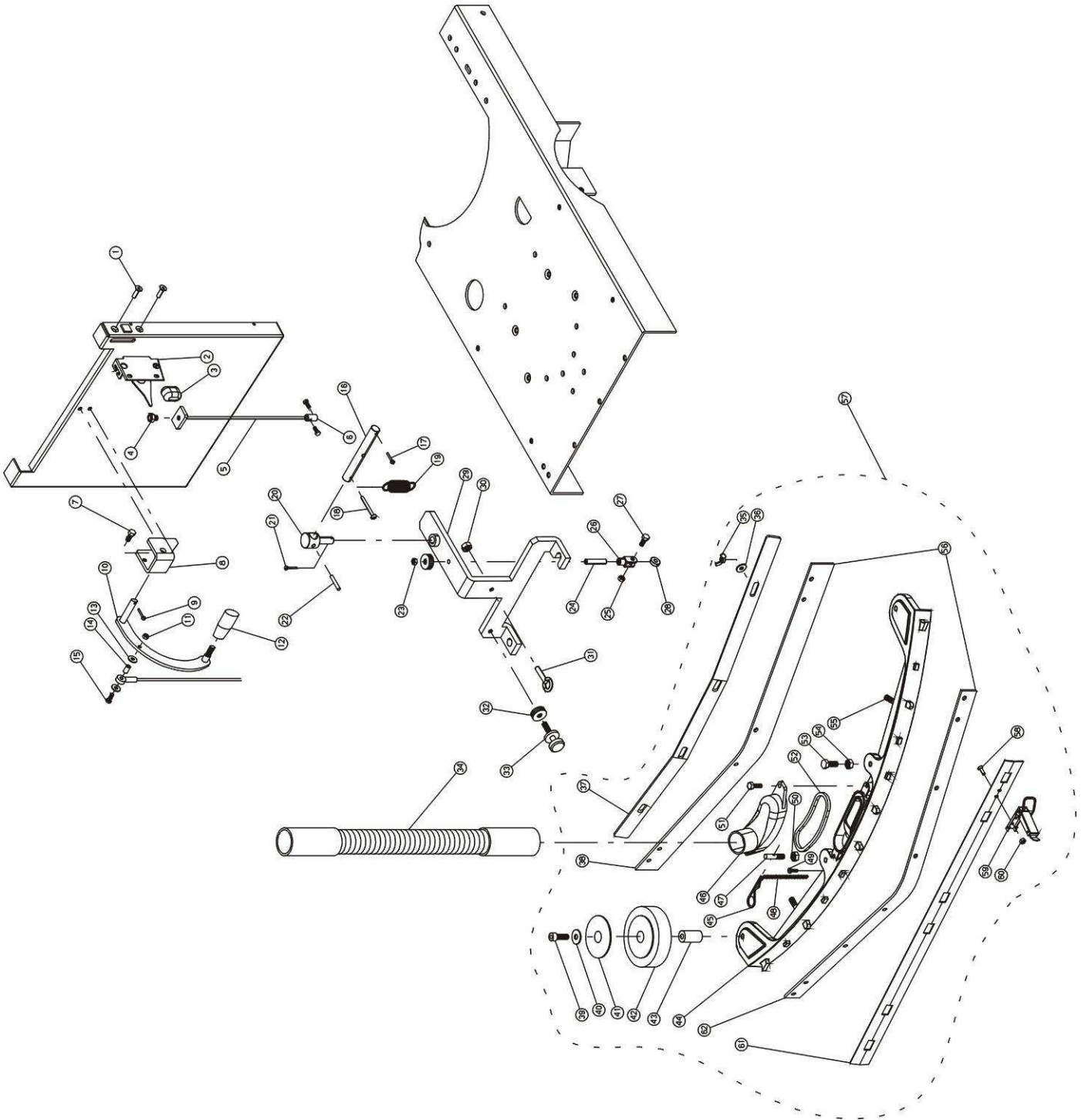


N.Position	Code Num	Qta	Descrizione	Description	Description	Bezeichnung
N45.03.001	TP168	1	TELAIO SUPPORTO SERBATOI E MANICO	SUPPORT CHASSIS FOR T	CHASSIS SUPPORT RESER	RAHMEN
N45.03.002	SB040	1	VASCHETTA BATTER.PLAST.	PLASTIC BATTERY TRAY	CUVE BATTERIE	BATTERIEWANNE
N45.03.002	SB057	1	VASCHETTA BATT.PLAST. (OPTIONAL)	BATTERY TRAY	CUVE	BATTERIWANNE
N45.03.003	CO274	1	COPERCHIO POSTERIORE VANO BATTERIE	REAR COVER	COUVERCLE POSTERIEUR	HINTER DECKEL
N45.03.004	VS413	8	VITE SVASATA TC M5x12 UNI 7688 INOX	SCREW	VIS	SENKSCHAUBE
N45.03.005	VE443	2	VITE ESAGONALE M6x16 UNI 5739 INOX	SCREW	VIS	SECHSECKIGE SCHRAUBE
N45.03.006	RO454	2	RONDELLA SPACCATA DIAM. 6 UNI 1751A	INOX WASHER	RONDELLE	SCHLEIBE
N45.03.007	RO403	2	RONDELLA NORM.DIAM. 6 UNI 6592/69 I	INOX WASHER	RONDELLE	SCHLEIBE
N45.03.008	LM683	1	LAMIERA FERMA BATTERIA	BATTERY HOLDER PLATE	FEUILLE ARRETE BATTER	BATTERIEBLECH
N45.03.009	CC011	1	CINGHIA ARRESTO SERBATOIO L=780mm	NYLON STRAP	COURROIE	GURT
N45.03.010	VE442	2	VITE ESAGONALE M6x12 UNI 5739 INOX	SCREW	VIS	SECHSECKIGE SCHRAUBE
N45.03.011	RO503	2	ROSETTA SLARGATA D.6x24 UNI6592/69	STAINLESS STEEL WASHE	RONDELLE	SCHLEIBE
N45.03.012	TP102	1	TELAIO BASE N45-53E/B	BASE FRAME	CHASSIS	ST091LAGERAHMEN
N45.03.013	VV431	3	VITE SVASATA BRUGOLA M6x12 INOX	SCREW	VIS	SCHRAUBE
N45.03.014	VB434	1	VITE CIL.BRUGOLA M8x25 UNI5931 INOX	SCREW	VIS	ZYLINDERSCHRAUBE
N45.03.015	DD405	2	DADO M8 UNI 5590 INOX	INOX NUT	ECROU	MUTTER
N45.03.016	TA002	1	TAPPO TUBO SCARICO SERBATOIO RECUP	PLUG	BOUCHON	DECKEL
N45.03.017	TB156	1	TUBO DI SCARICO CON BOCCHETTONI	HOSE	TUYAU VIDANGE AVEC EM	ROHR
N45.03.018	RC290	1	RACCORDO PORTAGOMMA DRITTO 1"-1/4	UNION	RACCORD	ANSCHLUSS
N45.03.019	GR118	1	GUARNIZIONE 1"-1/4	GASKET	GARNITURE	DICHTUNG
N45.03.020	FS011	1	FASCETTA 25/40 INOX 9mm	FLOAT.SUPPORT CLAMP	BANDE 25/40 INOX 9mm	SHELLE
N45.03.021	GR035	1	GUARNIZIONE D.INT.1"-1/4 D.EST.2"	GASKET	GARNITURE	DICHTUNG
N45.03.022	RC026	1	COLLARE CON FILETTATURA CILINDRICA	COLLAR	COLLIER	BUND
N45.03.023	TB093	1	TUBO RACCOLTA ACQUA	HOSE	TUYAU	ROHR
N45.03.024	FS031	1	FASCETTA 21-44 INOX	CLAMP	BANDE	SHELLE
N45.03.025	RC030	1	RACCORDO 90° HTB-DN 40-87*30'	UNION	RACCORD	ANSCHLUSS
N45.03.026	RC096	1	MANICOTTO M.F. ZH D.40	UNION	RACCORD	ANSCHLUSS
N45.03.027	VE430	1	VITE ESAGONALE M5x55 UNI 5737-77 IN	SCREW	VIS	SCHRAUBE
N45.03.028	RO500	1	RONDELLA SLARG.D.5X15 UNI6592/69 IN	INOX WASHER	RONDELLE	SCHLEIBE
N45.03.029	GL013	1	CORPO GALLEGGIANTE	FLOAT BODY	CORPS FLOTTEUR	SCHWIMMERKOERPER
N45.03.030	DD452	1	DADO AUTOBLOCCANTE M5 INOX	INOX SELF-LOCKING NUT	ECROU DE SURETE	SICHERUNGSMUTTER
N45.03.031	TA016	1	TAPPO GALLEGGIANTE	PLUG	BOUCHON	STOPFEN
N45.03.032	GR108	1	GUARNIZIONE TAPPO GALLEGGIANTE	GASKET	GARNITURE	DICHTUNG
N45.03.033	FT005	1	FILTRO MOTORE ASPIRAZIONE	SUCTION MOTOR FILTER	FILTRE	FILTER
N45.03.034	VE428	1	VITE ESAGONALE M5X45 UNI 5737-77 IN	SCREW	VIS	SCHRAUBE
N45.03.035	DD452	1	DADO AUTOBLOCCANTE M5 INOX	INOX SELF-LOCKING NUT	ECROU DE SURETE	SICHERUNGSMUTTER
N45.03.036	SU393	1	SUPPORTO GALLEGGIANTE INOX N45	SUPPORT	SUPPORT	HALTER
N45.03.037	TB094	1	TUBO ASPIRAZIONE IN ACCIAIO	HOSE	TUYAU	ROHR
N45.03.038	DD403	4	DADO M5 UNI 5588/65 INOX	INOX NUT	ECROU	MUTTER
N45.03.039	RO500	4	RONDELLA SLARG.D.5X15 UNI6592/69 IN	INOX WASHER	RONDELLE	SCHLEIBE
N45.03.040	GR088	1	GUARNIZIONE TUBI ACQUA SBR Sp.3	GASKET	GARNITURE	DICHTUNG
N45.03.041	FL046	1	FLANGIA X TUBO SERBATOI	HOSE FLANGE	FLASQUE	FLANSCH
N45.03.042	RO500	4	RONDELLA SLARG.D.5X15 UNI6592/69 IN	INOX WASHER	RONDELLE	SCHLEIBE
N45.03.043	VE431	4	VITE ESAGONALE M5x25 UNI 5737-77 IN	HEXAGONAL SCREW	VIS	SECHSECKIGE SCHRAUBE
N45.03.044	TB241	1	TUBO FLEX C. ANIMA ACCIAIO D=38 L=2	FLEXIBLE HOSE STEEL I	TUBE FLEXIBLE A/AME E	ROHR
N45.03.045	MP257	2	CARBONCINO x MOTORE MO217 24V	CARBON BRUSH	CHARBON	KOHLENBUERSTE
N45.03.046	MO408	1	MOTORE ASPIRAZIONE 24V 550W CONVOGL	VAC MOTOR 24V TANGENT	MOTEUR ASPIRATION	ANSAUGMOTOR
N45.03.047	GO009	1	GUARNIZIONE GALLEGGIANTE	FLOAT GASKET	GARNITURE	SCHWIMMERDICHTUNG
N45.03.048	CO291	1	COPERCHIO MOTORE ASPIRAZIONE	VACUUM MOTOR COVER	COUVERCLE MOTEUR ASPI	ANSAUGMOTORHEBEL
N45.03.049	MV165	3	TRAFILA SUPPORTO MOTORE ASPIRAZIONE	VACUUM MOTOR DRAWPLAT	FILIERE SUPPORT MOTEU	GEWINDESTIFT
N45.03.050	RO402	3	ROSETTA DIAM. 5 UNI 6592/69 INOX	INOX WASHER	RONDELLE	SCHLEIBE
N45.03.051	RO503	6	ROSETTA SLARGATA D.6x24 UNI6592/69	STAINLESS STEEL WASHE	RONDELLE	SCHLEIBE
N45.03.052	DD453	2	DADO AUTOBLOCCANTE M6 INOX	INOX SELF-LOCKING NUT	ECROU DE SURETE	SICHERUNGSMUTTER
N45.03.053	TB408	1	TUBO ESTENSIBILE D=32 L=330mm	FLEXIBLE HOSE STEEL I	TUBE FLEXIBLE A/AME E	ROHR
N45.03.054	VP066	3	POMELLO FEMMINA M5 IN OTTONE	KNOB	POMMEAU	BALLENGRIFF AUS MESSI
N45.03.055	RO262	1	RONDELLA GROVER D.6	WASHER	RONDELLE	SCHLEIBE



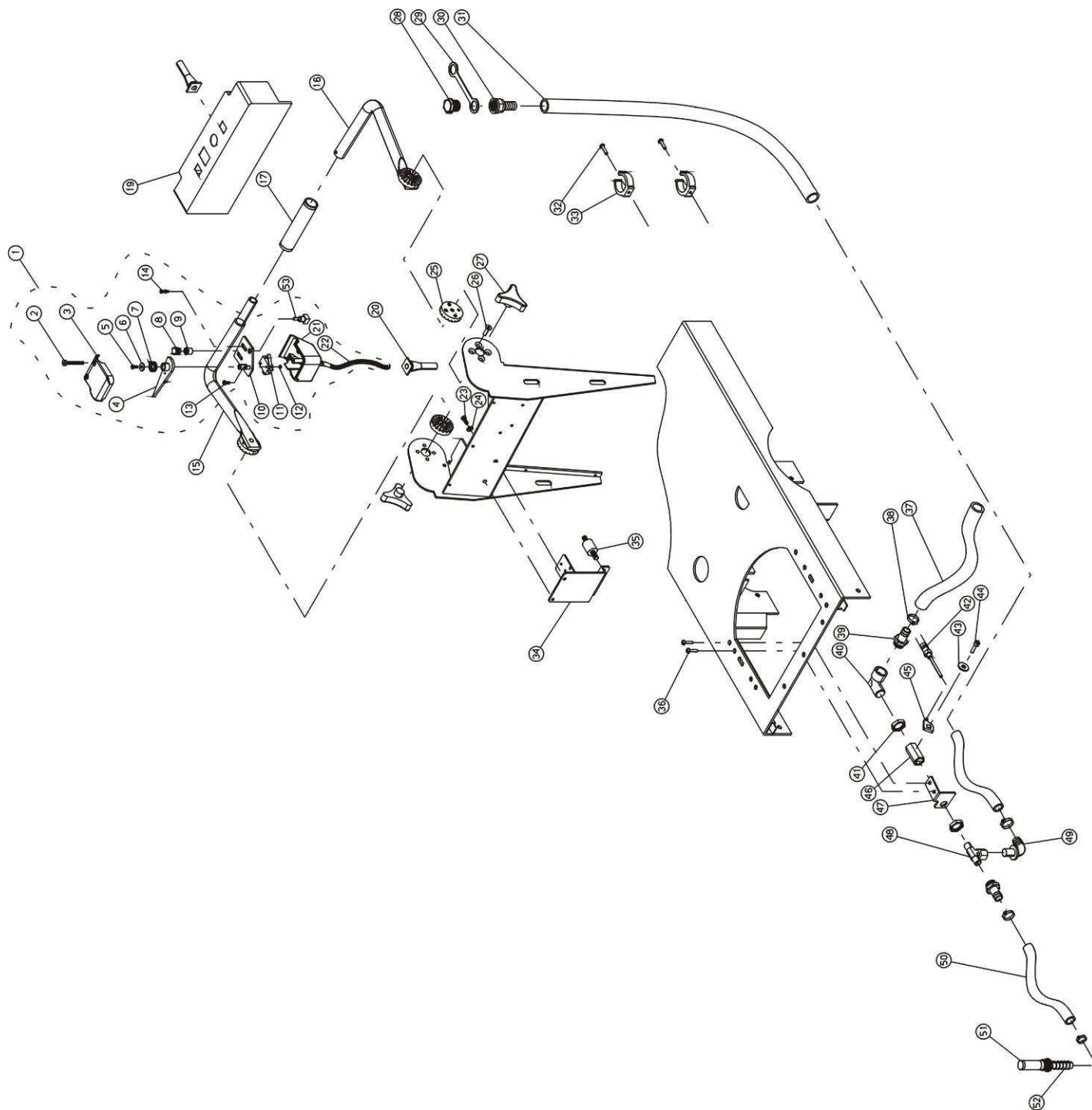


N.Position	Code Num	Qta	Descrizione	Description	Description	Bezeichnung
N45.04.001	VV439	4	VITE SVAS.BRUGOLA M8x16 UNI5933/77	SCREW	VIS	SENKSCRAUBE
N45.04.002	VS421	4	VITE SVASATA TC M6x12 UNI 7688 INOX	SCREW	VIS	SENKSCRAUBE
N45.04.003	RO404	4	RONDELLA NORM.DIAM. 8 UNI 6592 INOX	INOX WASHER	RONDELLE	SCHEIBE
N45.04.004	DD405	4	DADO M8 UNI 5590 INOX	INOX NUT	ECROU	MUTTER
N45.04.005	SU363	1	SUPPORTO RUOTA PIVOTTANTE	SUPPORT	SUPPORT ROUE	HALTER
N45.04.006	RT032	1	RUOTA PIVOTTANTE	WHEEL	ROUE	RAD
N45.04.007	RO405	4	RONDELLA NORM.DIAM. 10 UNI 6592/69	INOX WASHER	RONDELLE	SCHEIBE
N45.04.008	RO456	4	ROSETTA SPACCATA D.10 UNI 1751 INOX	INOX WASHER	RONDELLE	SCHEIBE
N45.04.009	VE481	4	VITE ESAGONALE M10x20 UNI 5737/77 I	SCREW	VIS	SCHRAUBE
N45.04.010	SU244	1	SUPPORTO MOT.TRAZIONE (CON CINGHIA)	SUPPORT	SUPPORT MOTEUR	HALTER
N45.04.011	DD405	1	DADO M8 UNI 5590 INOX	INOX NUT	ECROU	MUTTER
N45.04.012	VE462	1	VITE ESAGONALE M8x25 UNI 5737/77 IN	SCREW	VIS	SECHSECKIGE SCHRAUBE
N45.04.013	BO082	2	BOCCOLA IN OTTONE M5 A TESTA ESAGON	BUSH	DOUILLE	BUCHSE
N45.04.014	MO214	1	MOTORE FIORENTINI 130W 24V 750rpm	FIORENTINI TRACTION M	MOTEUR FIORENTINI 130	MOTOR
N45.04.015	RO403	2	RONDELLA NORM.DIAM. 6 UNI 6592/69 I	INOX WASHER	RONDELLE	SCHEIBE
N45.04.016	DT136	1	DISTANZIALE PULEGGIA MOTORE TRAZION	SPACER	ENTRETOISE	DISTANZSTUECK
N45.04.017	PP024	1	PULEGGIA MOT.TRAZ.D.int.11 D.est.20	DRIVE MOT. PULLEY	POULIE	RIEMENSCHLEIBE
N45.04.018	CI011	1	CINGHIA 711 J8	SWEEP.GR.BELT 711 J8	COURROIE	RIEMEN
N45.04.019	RO402	1	ROSETTA DIAM. 5 UNI 6592/69 INOX	INOX WASHER	RONDELLE	SCHEIBE
N45.04.020	RO505	1	RONDELLA SLARG.D.4x12 UNI6593 INOX	WASHER	RONDELLE	SCHEIBE
N45.04.021	VI053	1	VITE M12 BLOCCAGGIO RUOTA	SCREW	VIS	SCHRAUBE
N45.04.022	RT101	1	RUOTA SINISTRA TRAZIONE GN 200/50-1	WHEEL	ROUE	ANTRIEBSRAD LINKS
N45.04.022	RT105	1	RUOTA SINISTRA TRAZIONE ND200 POLIU	LEFT TRACTION WHEEL N	ROUE TRACTION GAUCHE	ANTRIEBSRAD LINKS
N45.04.023	PP068	1	PULEGGIA TRAZIONE AVANZAMENTO	PULLEY	POULIE	RIEMENSCHLEIBE
N45.04.024	CS007	2	CUSCINETTO A SFERE ASAHI SBPFL 204/	BALL BEARING	ROULEMENT A BILLES	KUGELLAGER
N45.04.025	RO404	4	RONDELLA NORM.DIAM. 8 UNI 6592 INOX	INOX WASHER	RONDELLE	SCHEIBE
N45.04.026	RO455	4	RONDELLA SPACCATA DIAM. 8 UNI 1751A	INOX WASHER	RONDELLE	SCHEIBE
N45.04.027	VE460	4	VITE ESAGONALE M8x16 UNI 5739 INOX	SCREW	VIS	SECHSECKIGE SCHRAUBE
N45.04.028	CH023	1	LINGUETTA 6x6x30 UNI6604-A	TONGUE	CLAVETTE	PASSFEDER
N45.04.029	AL057	1	ASSALE TRAZIONE	WHEEL AXIS	AXE ROUE	ACHSE
N45.04.030	RT102	1	RUOTA DESTRA TRAZIONE GN 200/50-100	WHEEL	ROUE	RAD
N45.04.030	RT106	1	RUOTA DESTRA TRAZIONE ND200 POLIURE	RIGHT TRACTION WHEEL	ROUE TRACTION DROITE	ANTRIEBSRAD RECHTS
N45.04.031	VI054	1	VITE SINISTRORSA M12 BLOCCAGGIO RUO	SCREW	VIS	SCHRAUBE
N45.04.032	PT352	1	PIASTRINA SX SUPPORTO GOMMA PARASPR	LEFT PLATE RUBBER SUP	PLAQUETTE SUPPORT BAV	PLAETTCHEN LINKS
N45.04.033	BP370	1	GOMMA PARASPRUZZI CENTRALE	CENTRAL SPLASH GUARD	BAVETTE GARDE-BOUE CE	SPRITZENSCHUTZGUMMI
N45.04.034	RO454	2	RONDELLA SPACCATA DIAM. 6 UNI 1751A	INOX WASHER	RONDELLE	SCHEIBE
N45.04.035	VE442	2	VITE ESAGONALE M6x12 UNI 5739 INOX	SCREW	VIS	SECHSECKIGE SCHRAUBE
N45.04.036	PT112	1	PIASTRINA SX FISSAGGIO GOMMA PARASP	PLATE	PLAQUETTE	TELLER
N45.04.037	VS413	2	VITE SVASATA TC M5x12 UNI 7688 INOX	SCREW	VIS	SENKSCRAUBE
N45.04.038	DD403	2	DADO M5 UNI 5588/65 INOX	INOX NUT	ECROU	MUTTER
N45.04.039	KIT414	1	ASSEMBLAGGIO ASSALE N45-53	WHEEL AXIS ASS.	ASS.AXE ROUE	ZUSAMMENBAU ACHSE
N45.04.039	KIT868	1	KIT ASSEMBLAGGIO ASSALE C/RUOTE POL	WHEEL AXLE ASSEMBLY	KIT ASSEMBLAGE ASSIEU	ZUSAMMENBAU ACHSE
N45.04.040	PT367	1	PIASTRA AGGANCIAMENTO MOLLA PRESS.SQUEEG	PLATE	PLAQUETTE	PLATTE





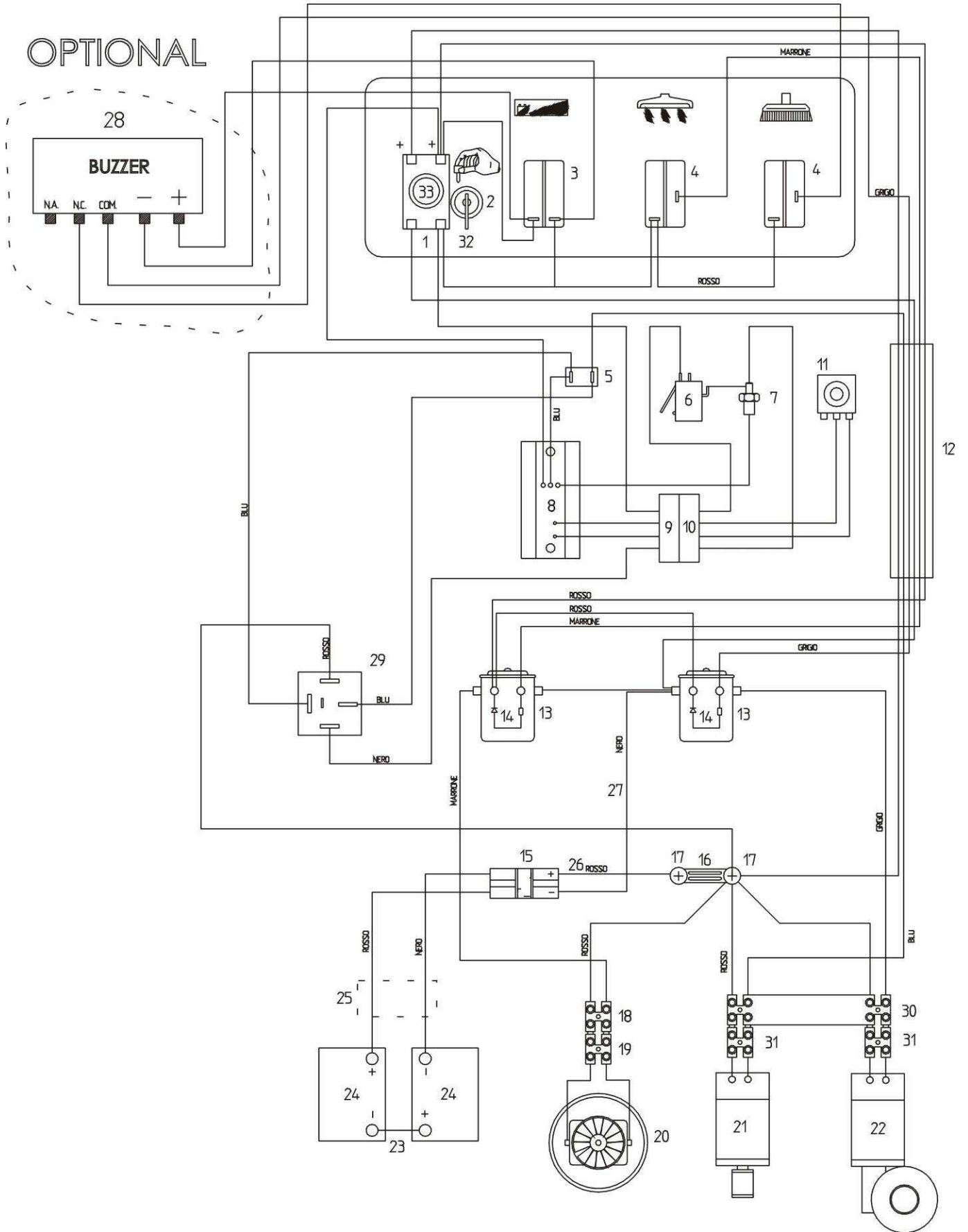
N.Position	Code Num	Qta	Descrizione	Description	Description	Bezeichnung
N45.05.001	VV430	2	VITE SVAS.BRUGOLA M6X16 UNI5931 INO	SCREW	VIS	SCHRAUBE
N45.05.002	MI307	1	LEVA COMANDO ALZA SQUEEGEE/PIATTO	SQUEEGEE/PLATE LEVER	LEVIER SUCEUR/PLATEAU	SAUGFUSS- UND PLATTHE
N45.05.003	MI310	1	POMELLO NERO AE300	BLACK KNOB	POIGNEE NOIRE	SCHWARZER KNOPF
N45.05.004	BO098	1	BOCCOLA PASSA FILO IN OTTONE	BUSH	DOUILLE	BUCHSE
N45.05.005	MI145	1	FILO AD OCCHIO D=8mm L=620mm	WIRE	FIL	DRAHT
N45.05.006	MV054	1	MORSETTO FILO	WIRE TERMINAL	ETAU	DRAHTKLEMME
N45.05.007	VE442	1	VITE ESAGONALE M6x12 UNI 5739 INOX	SCREW	VIS	SECHSECKIGE SCHRAUBE
N45.05.008	ST069	1	STAFFA SUPPORTO LEVA SOLLEVAM. SQUE	BRACKET	SUPPORT	BUEGEL
N45.05.009	CP211	1	COPIGLIA DIAM.3x30 UNI 1336	SPLIT PIN	GOUPILLE	SPLINT
N45.05.010	LV246	1	LEVA DI SOLLEVAMENTO SQUEEGEE	LEVER	LEVIER	HEBEL
N45.05.011	DD403	1	DADO M5 UNI 5588/65 INOX	INOX NUT	ECROU	MUTTER
N45.05.012	VP002	1	POMELLO M8	KNOB	POMMEAU	BALLENGRIFF
N45.05.013	RO500	2	RONDELLA SLARG.D.5X15 UNI6592/69 IN	INOX WASHER	RONDELLE	SCHEIBE
N45.05.014	DT178	1	DISTANZIALE x FILO De=8,Di=5,L=7	SPACER	ENTRETOISE	ABSTANDSTUECK
N45.05.015	VC414	1	VITE CILIN.CROCE M5x20 UNI 7687 IN	SCREW	VIS	ZYLINDERSCHRAUBE
N45.05.016	PE306	1	PERNO LUNGO OSCILLAZIONE SQUEEGEE	LONG PIN	PIVOT LONG	LANGER STIFT
N45.05.017	CP210	1	COPIGLIA DIAM.3x20 UNI 1336	SPLIT PIN	GOUPILLE	SPLINT
N45.05.018	VC446	1	VITE CILIN.CROCE M6x50 UNI 7687 INO	CYLINDRIC SCREW	VIS CYLINDRIQUE	ZYLINDERSCHRAUBE
N45.05.019	ML183	1	MOLLA PRESSIONE SPAZZOLE	BRUSH PRESSURE SPRING	RESSORT PRESSION DES	DRUCKFEDER
N45.05.020	PE305	1	PERNO CORTO OSCILLAZIONE SQUEEGEE	SHORT PIN	PIVOT COURT	KURZER FEDER
N45.05.021	CP210	1	COPIGLIA DIAM.3x20 UNI 1336	SPLIT PIN	GOUPILLE	SPLINT
N45.05.022	SP020	1	SPINA ELASTICA 6x25 UNI 6874/71	TENSION PIN	CONNECTEUR	SPANNSTIFT
N45.05.023	DD405	1	DADO M8 UNI 5590 INOX	INOX NUT	ECROU	MUTTER
N45.05.024	MV168	1	TRAFILA M8x40 ACCIAIO INOX	DRAWPLATE	FILIERE M8x40 ACIER	GEWINDESTIFT
N45.05.025	DD403	1	DADO M5 UNI 5588/65 INOX	INOX NUT	ECROU	MUTTER
N45.05.026	SN012	1	FORCELLA X CUSCINETTO ROTAZIONE SQU	FORK	FOURCHE POUR COUSSINE	GABEL
N45.05.027	VE425	1	VITE ESAGONALE M5X20 UNI 5737-77 IN	SCREW	VIS	SCHRAUBE
N45.05.028	CS087	1	CUSCINETTO 625DDMC3E	BEARING	COUSSINET	LAGER
N45.05.029	ST176	1	STAFFA SUPPORTO SQUEEGEE	SQUEEGEE SUPPORT BRAC	MOULE SUPPORT SQUEEGE	BUEGEL
N45.05.030	DD405	1	DADO M8 UNI 5590 INOX	INOX NUT	ECROU	MUTTER
N45.05.031	MI202	1	GOLFARE M8 L=25	EYEBOLT	OUILLET	RINGSCHRAUBE
N45.05.032	GH006	2	GHIERA REGOLAZIONE INCLINAZ. SQUEEG	TILT ADJ. RING NUT	EMBOUT	GITTER
N45.05.033	VI007	1	REGOLATORE SQUEEGEE	REGULATORS	REGULATEUR	SAUGFUSSREGLER
N45.05.034	TB131	1	TUBO FLEX ANIMA IN ACCIAIO D.38 L=8	HOSE	TUYAU FLEX D.38 L=850	ROHR
N45.05.035	VL450	4	DADO AD ALETTE M6 INOX	NUT	ECROU	MUTTER
N45.05.036	RO501	4	RONDELLA SLARG.D.6X18 UNI6593 INOX	INOX WASHER	RONDELLE	SCHEIBE
N45.05.037	LM631	1	LISTELLO ANT.INOX X SQUEEGEE PARABOL	INOX FRONT LISTEL FOR	LISTEL ANTER. INOX PO	VORDERLEISTE
N45.05.038	BP339	1	LAMA ANTERIORE SQUEEGEE	SQUEEGEE FRONT BLADE	BAVETTE AVANT SUCEUR	VORDERMESSER
N45.05.039	VE469	2	VITE ESAGONALE M8X60 UNI5737/77 INO	SCREW	VIS	SECHSECKIGE SCHRAUBE
N45.05.040	RO404	2	RONDELLA NORM.DIAM. 8 UNI 6592 INOX	INOX WASHER	RONDELLE	SCHEIBE
N45.05.041	RT155	2	PARAFILO X RUOTA RT154	WIRE	GARDE-FIL POUR ROUE R	MANTEL
N45.05.042	RT154	2	RUOTA PARACOLPI GRIGIA 100X30	GREY SHOCK ABSORBER W	ROUE HEURTOIRE GRISE	RAD
N45.05.043	BO202	2	BOCCOLA RUOTA PARACOLPI 12x1.5x41	BUSH	COQUILLE ROUE HEURTOI	BUCHSE
N45.05.044	SQ071	1	SQUEEGEE PARABOLICO X LAME REVERSIB	PARABOLIC SQUEEGEE	SQUEEGEE PARABOLIQUE	SAUGFUSS
N45.05.045	CP260	1	COPIGLIA A GIRAMOLLA D.3	SPLIT PIN	GOUPILLE	SPLINT
N45.05.046	CO252	1	COPERCHIO SIFONE SQUEEGEE	COVER	COUVERCLE SIPHON SUCE	DECKEL
N45.05.047	PE295	1	PERNO FISSAGGIO SQUEEGEE PARABOLICO	PARABOLIC SQUEEGEE FI	PIVOT DE FIXAGE SUCEU	BOLZEN
N45.05.048	MI171	1	CATENELLA 7 MAGLIE 1.5x8x17	CHAIN	CHAIN	KETTE
N45.05.049	VC409	1	VITE CILIN.CROCE M5x6 UNI 7687 INOX	SCREW	VIS	ZYLINDERSCHRAUBE
N45.05.050	DD405	1	DADO M8 UNI 5590 INOX	INOX NUT	ECROU	MUTTER
N45.05.051	VE420	2	VITE ESAGONALE M5x8 UNI 5737-77 INO	SCREW	VIS	SECHSECKIGE SCHRAUBE
N45.05.052	GR185	1	GUARNIZIONE OR IN VITON 82X3	GASKET	GARNITURE	DICHTUNG
N45.05.053	VE461	1	VITE ESAGONALE M8X20 UNI 5737-77 IN	SCREW	VIS	SECHSECKIGE SCHRAUBE
N45.05.054	DD405	1	DADO M8 UNI 5590 INOX	INOX NUT	ECROU	MUTTER
N45.05.055	MV139	4	TRAFILA M6X28 INOX	STRAINER M6x28	FILIERE M6x28 INOX	GEWINDESTIFT
N45.05.056	KIT1007	1	KIT LAME PER SQUEEGEE	SQUEEGEE BLADES KIT	JEU BAVETTES ASPIRATI	MESSERZUSAMMENBAU
N45.05.057	KIT1008	1	KIT ASSEMBLAGGIO SQUEEGEE	SQUEEGEE ASSY	KIT ASSEMBLAGE SQUEEG	SAUGFUSSZUSAMMENBAU
N45.05.058	VS410	2	VITE SVASATA T/C M4x10 UNI 7688 INO	SCREW	VIS	SENKSCRAUBE
N45.05.059	CC022	1	GANCIO ATTACCO LISTELLO POSTERIORE	HOOK	CROCHET LATTE POSTERI	HAKEN
N45.05.060	DD451	2	DADO AUTOBLOCCANTE M4 INOX UNI 7473	SELF-LOCKING NUT	ECROU DE SURETE	SICHERUNGSMUTTER
N45.05.061	LM632	1	LISTELLO POST.INOX X SQUEEGEE PARABO	INOX REAR LISTEL FOR	LISTEL POST. INOX POU	RUECKLEISTE
N45.05.062	BP378	1	LAMA POSTERIORE SQUEEGEE	SQUEEGEE REAR BLADE	BAVETTE ARRIERE	RUECKMESSER





N.Position	Code Num	Qta	Descrizione	Description	Description	Bezeichnung
N45.06.001	KIT854	1	KIT ASSEMBLAGGIO LEVA AVANZAMENTO	FORWARD LEVER KIT	KIT ASSEMBLAGE LEVIER	HEBELZUSAMMENBAU
N45.06.002	VS419	2	VITE SVASATA TC M5x35 INOX UNI7688	SCREW	VIS	SENKSCRAUBE
N45.06.003	CO175	1	COPERCHIO SUPERIORE LEVA AVANZAMENT	COVER	COUVERCLE	OBENDECKEL
N45.06.004	LV297	1	LEVA AVANZAMENTO IN PLASTICA	DRIVE LEVER	LEVIER	PLASTIKVORSCHUBSHEBEL
N45.06.005	VA406	1	VITE AUTOFILET. TC 3.5x13 INOX	SCREW TC 3.5X13 STAIN	VIS	SCHRAUBE
N45.06.006	RO501	1	RONDELLA SLARG.D.6X18 UNI6593 INOX	INOX WASHER	RONDELLE	SCHEIBE
N45.06.007	ML125	1	MOLLA RITORNO LEVA AVANZ. C72 3 SPI	SPRING	RESSORT	FEDER
N45.06.008	IG023	1	INGRANAGGIO IN PLASTICA	PLASTIC GEAR	ENGRENAGE	PLASTIKGETRIEBE
N45.06.009	BO071	1	BOCCOLA POTENZIOMETRO	POTENTIOMETER BUSH	DOUILLE	POTENTIOMETERBUCHSE
N45.06.010	SU170	1	BASETTA IN PLASTICA SUPPORTO MICRO	PLASTIC BASE	SUPPORT	SOCKEL
N45.06.011	IN009	1	MICRO SWITCH	MICROSWITCH	MICRO INTERRUPTEUR	MIKROSCHALTER
N45.06.012	DD452	1	DADO AUTOBLOCCANTE M5 INOX	INOX SELF-LOCKING NUT	ECROU DE SURETE	SICHERUNGSMUTTER
N45.06.013	VS429	1	VITE SVASATA TC 3x18 INOX	SCREW	VIS	SENKSCRAUBE
N45.06.014	VA560	2	VITE AUTOFORANTE TC 3,5x16 UNI 6954	SCREW	VIS	SCHRAUBE
N45.06.015	MN095	1	SEMIMANICO DX	RIGHT HALF HANDLE	SEMI-POIGNEE DROITE	RECHTER HALBHANDGRIFF
N45.06.016	MN094	1	SEMIMANICO SX	LEFT HALF HANDLE	SEMI-POIGNEE GAUCHE	LINKER HALBHANDGRIFF
N45.06.017	MN065	2	MANOPOLA CON FORO ART.738	HAND GRIP	POIGNEE	KNOPF
N45.06.019	PL043	1	PLANCIA COMANDI	CONTROL BOARD	TABEUAU DE BORD	TAFEL
N45.06.020	PY309	2	PASSACAVO IN GOMMA NERA	BLACK RUBBER FAIRLEAD	PASSECBLE NOIR	KABELDURCHGANG AUS SC
N45.06.021	CO176	1	COPERCHIO INFERIORE LEVA AVANZAMENT	COVER	COUVERCLE	UNTENDECKEL
N45.06.022	CW092	1	CAVO PER SCATOLA LEVA AVANZAMENTO	CABLE	CABLE	KABEL
N45.06.023	VC410	4	VITE CILIN.CROCE M5x12 UNI 7687 INO	SCREW	VIS	ZYLINDERSCHRAUBE
N45.06.024	RO500	4	RONDELLA SLARG.D.5X15 UNI6592/69 IN	INOX WASHER	RONDELLE	SCHEIBE
N45.06.025	MV073	2	CERNIERA DENTATA PER ROTAZIONE MANI	HINGE FOR HANDLE ROTA	CHARNIERE ROT.POIGNEE	CHARNIER
N45.06.026	VS421	8	VITE SVASATA TC M6x12 UNI 7688 INOX	SCREW	VIS	SENKSCRAUBE
N45.06.027	VP022	2	POMELLO M8x30 A 3 LOBI	KNOB M8x30	POMMEAU	KNOPF
N45.06.028	RC132	1	TAPPO 1/2" IN PVC CON LAVORAZ	PLUG 1/2" PVC	BOUCHON EN PVC	VERSCHLUSS
N45.06.029	GR126	1	GUARNIZIONE FERMA TAPPO SBR 2 mm	GASKET	GARNITURE	DICHTUNG
N45.06.030	RC089	1	RACCORDO F.1/2" IN PVC P/GOMMA 15-	UNION	RACCORD	ANSCHLUSS
N45.06.031	TB381	1	TUBO D.14 C/ANIMA IN ACCIAIO L=1200	HOSE D. 14 STEEL INSI	TUBE D.14 A/AME EN AC	ROHR
N45.06.032	VC414	2	VITE CILIN.CROCE M5x20 UNI 7687 IN	SCREW	VIS	ZYLINDERSCHRAUBE
N45.06.033	ML120	2	MOLLA TUBO SCARICO SOLUZIONE	SPRING	RESSORT	FEDER
N45.06.034	SU366	1	SUPPORTO SPINA DI CARICA BATTERIE	SUPPORT	SUPPORT	HALTER
N45.06.035	PY263	2	SUPPORTO PER FUSE MORSETTIERA	TERMINAL BOARD SUPPOR	SUPPORT	HALTER
N45.06.036	VB474	2	VITE TESTA BOMBATA M8X16 INOX	COUNTERSUNK SCREW	VIS	HALBRUNDSCHRAUBE
N45.06.037	TB380	1	TUBO D.14 C/ANIMA IN ACCIAIO L=315m	HOSE D.14 STEEL INSID	TUBE D.14 A/AME EN AC	ROHR
N45.06.038	FS002	4	FASCETTA 12/20 INOX FASCIA 9	CLAMP 12/20	BANDE 12/20 INOX	SHELLE
N45.06.039	RC002	2	RACCORDO 3/8 MASCHIO P/GOMMA 12	UNION	RACCORD	ANSCHLUSS
N45.06.040	RC073	1	RACCORDO M/F 90° 3/8	UNION	RACCORD	ANSCHLUSS
N45.06.041	GH007	1	GHIERA RUBINETTO SOLUZIONE 3/8	SOLUT.VALVE RING NUT	EMBOU	GITTER
N45.06.042	MI358	1	CAVO APERTURA ACQUA SOLUZIONE -	CABLE FOR SOLUTION WA	CABLE OUVERTURE EAU S	KABEL
N45.06.043	RO500	1	RONDELLA SLARG.D.5X15 UNI6592/69 IN	INOX WASHER	RONDELLE	SCHEIBE
N45.06.044	WB010	1	VITE BRUGOLA CIL.10-24x3/8" BRUNITA	SCREW	VIS	SCHRAUBE
N45.06.045	LV396	1	LEVA APERTURA RUBINETTO	COCK LEVER	LEVIER ROBINET	HAHNHEBEL
N45.06.046	RB005	1	RUBINETTO SOLUZIONE F/F 3/8G L=41mm	VALVE	ROBINET	LOESUNGSHAHN
N45.06.047	SU657	1	SUPPORTO RUBINETTO SOLUZIONE	SOLUTION TAP SUPPORT	SUPPORT ROBINET SOLUT	STUETZ
N45.06.048	RC118	1	RACCORDO A" T" OTTONE NICHELATO 3/8"	UNION	JOINT A "T"	ANSCHLUSS
N45.06.049	RC083	1	RACCORDO 3/8 M/PORTAGOMMA 15 A 90°	UNION	RACCORD	ANSCHLUSS
N45.06.050	TB379	1	TUBO D.14 C/ANIMA IN ACCIAIO L=205m	HOSE D.14 STEEL INSID	TUBE D.14 A/AME EN AC	ROHR
N45.06.051	FT056	1	FILTRO SOLUZ.IN ACCIAIO MAGLIE STRE	STEEL SOLUTION FILTER	FILTRE SOLUTION EN AC	FILTER
N45.06.052	RC184	1	RACCORDO DI 1/2"G IN PLASTICA	FITTING	RACCORD	ANSCHLUSS
N45.06.053	PY551	1	POTENZIOMETRO 10K FRESATO	POTENTIOMETER	POTENZIOMETRE	POTENZIOMETER

OPTIONAL





N.Position	Code Num	Qta	Descrizione	Description	Description	Bezeichnung
N45.07.001	IN099	2	FRUTTO NORMALMENTE APERTO	NORMALLY OPEN CONTACT	CONTAT NORMAL.OUVERT	KONTAKT
N45.07.002	IN112	1	INTERRUTTORE A CHIAVE	KEY SWITCH	INTERRUPTEUR A CLEF	SCHLUESSELSCHALTER
N45.07.003	PY378	1	INDICATORE DI CARICA BATTERIA 24V	BATTERY INDICATOR	INDICATEUR	STATUSANZEIGER
N45.07.004	IN091	2	INTERRUTTORE BASCULANTE X DELUX350B	SWITCH	INTERRUPTEUR	SCHALTER
N45.07.005	PY369	1	MICRO DISGIUNTORE 10A	OVERLOAD CUTOUT	MICRODISGIUNTEUR	MICRO
N45.07.006	IN009	1	MICRO SWITCH	MICROSWITCH	MICRO INTERRUPTEUR	MIKROSCHALTER
N45.07.007	PY234	1	DIODO GEO 8420 M16 200	DIODE	DIODE	DIODE
N45.07.008	PY324	1	GRUPPO ELETTRONICO ETC35 24V	ELECTRONIC GROUP	GROUPE ELECTRONIQUE	ELEKTR. GRUPPE
N45.07.009	PY698	1	CONNETTORE 4 POLI PORTA-FEMMINA	CONNECTOR	CONNECTEUR	4-POLIGER KONTAKTSTIF
N45.07.010	PY699	1	CONNETTORE 4 POLI PORTA-MASCHIO	CONNECTOR	CONNECTEUR	4-POLIGE STECKERHUELS
N45.07.011	PY551	1	POTENZIOMETRO 10K FRESATO	POTENTIOMETER	POTENZIOMETRE	POTENZIOMETER
N45.07.012	MI195	1	GUAINA ROSSA D.20 L.300	SHEATH	GAINE	MANTEL
N45.07.013	SL001	2	SOLENOIDE 24 VOLT	SOLENOID	SOLENOIDE 24 VOLT	SOLENOID
N45.07.014	PY204	2	RETE ANTIDISTURBO "SPEGNIPICCO"	NET	RESEAU	NETZ
N45.07.015	PY533	2	SPINA CARICABATTERIA SBE 80 A	PLUG	PRISE CHARGEUR 80A	BATTERIELADEGERAETSTE
N45.07.016	PY289	1	FUSIBILE LAMELLARE 75A	FUSE	FUSIBLE	FLACHSICHERUNGSEINSAT
N45.07.017	PY263	2	SUPPORTO PER FUSE MORSETTIERA	TERMINAL BOARD SUPPOR	SUPPORT	HALTER
N45.07.018	PY058	1	SPINA FEMMINA MOTORE ASPIRAZIONE	FEMALE PLUG	CONNECTEUR	DOSE
N45.07.019	PY114	1	SPINA MASCHIO MOTORE ASPIRAZIONE	MALE PLUG	CONNECTEUR	STECKER
N45.07.020	MO408	1	MOTORE ASPIRAZIONE 24V 550W CONVOGL	VAC MOTOR 24V TANGENT	MOTEUR ASPIRATION	ANSAUGMOTOR
N45.07.021	MO214	1	MOTORE FIORENTINI 130W 24V 750rpm	FIORENTINI TRACTION M	MOTEUR FIORENTINI 130	MOTOR
N45.07.022	MO213	1	MOTORIDUTTORE FIORENTINI 750W 36V	GEARMOTOR	MOTOREDUCTEUR	GETRIEBEMOTOR
N45.07.023	PY001	1	CAVO COLLEGAM. BATTERIE S=10mmq L=3	BATTERY CONNECT.CABLE	CABLE	BATTERIEKABEL
N45.07.024	BT999	2	BATTERIA	BATTERY	BATTERIE	BATTERIE
N45.07.025	CW402	1	CAVO BATTERIA N45B/53NEW L=1400mm	BATTERY CABLE L=1400m	CABLE BATTERIE L=1400	BATTERIEKABEL
N45.07.026	PY583	1	CAVO POS. A SPINA BATT.10mmq L=200	POS.CABLE	CABLE POS.	KABEL+
N45.07.027	PY584	1	CAVO NEG. A SPINA BATT.10mmq L=200	NEG.CABLE	CABLE NEG.	KABEL-
N45.07.028	PY640	1	BUZZER SOTTOTENSIONE C/BLOCCO FORCH	24V BATTERY INDICATOR	BUZZER 24V	UNTERSpannungSCHALLSI
N45.07.029	SL006	1	RELAIS A 5 CONTATTI 24V 20A	RELAY	RELAIS	RELAIS
N45.07.030	PY350	1	MORSETTIERA 4 POLI FV 51 FEMMINA	CONNECTOR	CONNECTEUR	KLEMMENBRETT
N45.07.031	PY528	2	MORSETTIERA 2 POLI FV 51 MASCHIO	TERMINAL BOARD	BORNIER	KLEMMENBRETT
N45.07.032	IN096	1	CHIAVE PER INTERRUTTORE	KEY	CLES	SCHALTERSCHLUESSEL
N45.07.033	PY1116	1	PORTACONTATTI IN FERRO	IRON CONTACT HOLDER	PORTE CONTACT EN FER	KONTAKTEHALTER AUS STAHL



Mat. n.
Serial no.
Nr. de serie

Data di spedizione
Date of shipment
Date de spedition

Distributed by:

ING. O. FIORENTINI S.p.A.
“THE BEST IN FLOOR MACHINES”

FILIALI:

20132 MILANO – Fax. 02/2592779

Via Palmanova 211/a – Tel. 02/27207783 - 2564810

00012 Guidonia Montecelio (ROMA) – Fax. (0774)353419 - 353314

Via Ponte Corvo 20 – Tel. (0774)357184 - 353015

STABILIMENTO:

50030 PIANCALDOLI (FI) – Fax. 055/817144

Loc. Rombola – Tel. 055/8173610