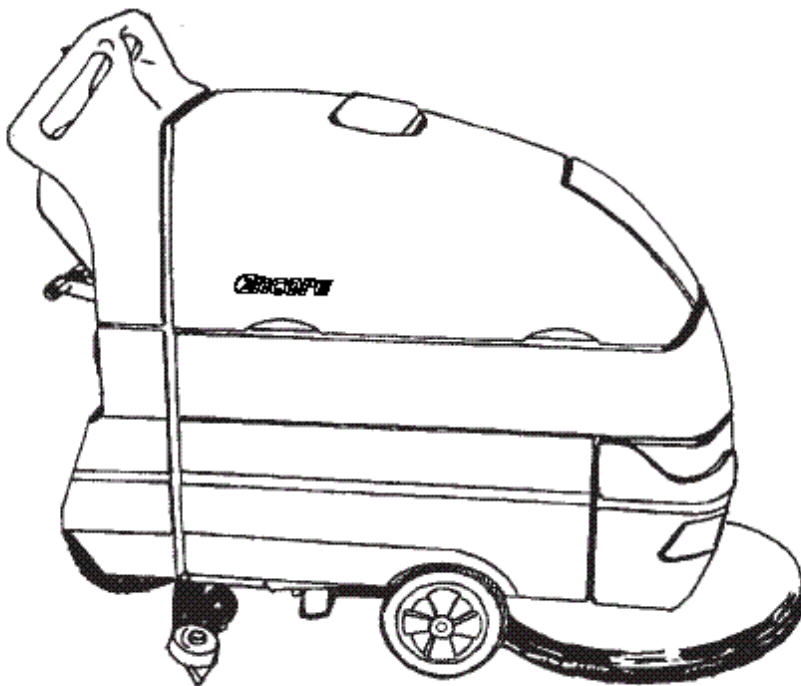


ENCORE 20 S / 20 L

Model:
ENCORE 20 L
ENCORE 20 S



Liste de pièces Français

03-02-2013

Table des matières

ENCORE 20 S / 20 L

Accessoires	3
Final Assembly Drawing	5
RESERVOIR DE RECUPERATION	7
Réservoir de solution	9
RELEVAGE DE LA RACLETTE	12
Squeegee Assembly after SN #AC2077	14
Frame Assembly & Transaxle	16
Frame Assembly S20 from SN BHXXXX	18
Brush Lift	20
Brush housing	22
Transaxle repair parts 4/01	24
Transaxle Drawing & Parts List 2/03	26
MOTEUR DE BROSSE	28
Gearbox assembly	30
Vacum Motor	32
Battery Charger	34
Electronic solution valve kit without shut-off	36
Electronic solution valve kit with shut-off	38
Powerwand kit 10662A	40
Brush & Hour Meter kit	42
Rear panel for machines with 41150B Traverse contr	44
Electrical cover assembly for Machines with 41150B	46
Rear panel for machines with 41150C Traverse contr	48
Electrical cover assembly for Machines with 41150C	50
Optional Brake	52
ESP system	54
Squeegee Assembly OLD VERSION	56

Accessoires

ENCORE 20 S / 20 L

03-02-2013

ID Liste de pièces
ENCORE20SL

3

Pas de dessin pour la liste de pièces

Accessoires

ENCORE 20 S / 20 L

03-02-2013

ID Liste de pièces
ENCORE20SL

4

Pos	Réf. Pièce	Qté	Description
	10055A	1	KIT 20 INCH
	10129L	1	SQUE ASM 32 LINATEX
	10635A	1	BRAKE KIT ENCORE 20BT
	10656A	1	KIT HOROMETRE
	10662A	1	KIT INJECTION/EXTRACTION
	10663A	1	KIT SYSTEME DE RECYCLAGE
	10669A	1	ELECTROVANNE A COMMANDE
	14097A	1	KIT LIMITEUR DECHARGE 24V
	14607A	1	KIT D'ENTRETIEN
	18820L	1	SQUE ASM 29 W/TOOL LINATEX
	30034A	1	MOYEU DE FIXATION
0	38042A	1	PLATEAU PORTE DISQUE 20 POUCES
	50478A	1	PROTECTION POLYDUR
	51447D	1	BROSSE POLYPROPYLENE
	51450D	1	BROSSE SUPER GRIT
0	51474D	1	BROSSE CLEAN GRIT
	51474D	1	BROSSE CLEAN GRIT
	51482D	1	BROSSE NYLON SOUPLE
	55420A	1	KIT PISTOLET ... GRAISSE
	57369A	1	SUPPORT DISQUE
	57370A	1	SUPPORT PAD
	58530A	1	SPACER PAD DRIVER 3/8 X 6.75
	58531A	1	ENTRETOISE
	66649A	1	PORTE PAD
	80084A	1	NUT 1/4 20X7/16 PROPELL PLATED
	962819	1	VIS
	976067	1	DISQUE BLANC PAR 5
	976068	1	DISQUE ROUGE PAR 5
	976069	1	DISQUE BLEU PAR 5
	976070	1	DISQUE MARRON PAR 5
	976170	1	DISQUE NOIR PAR 5
	979199	1	PADS CASE 20 YELLOW HS CLARKE

Final Assembly Drawing

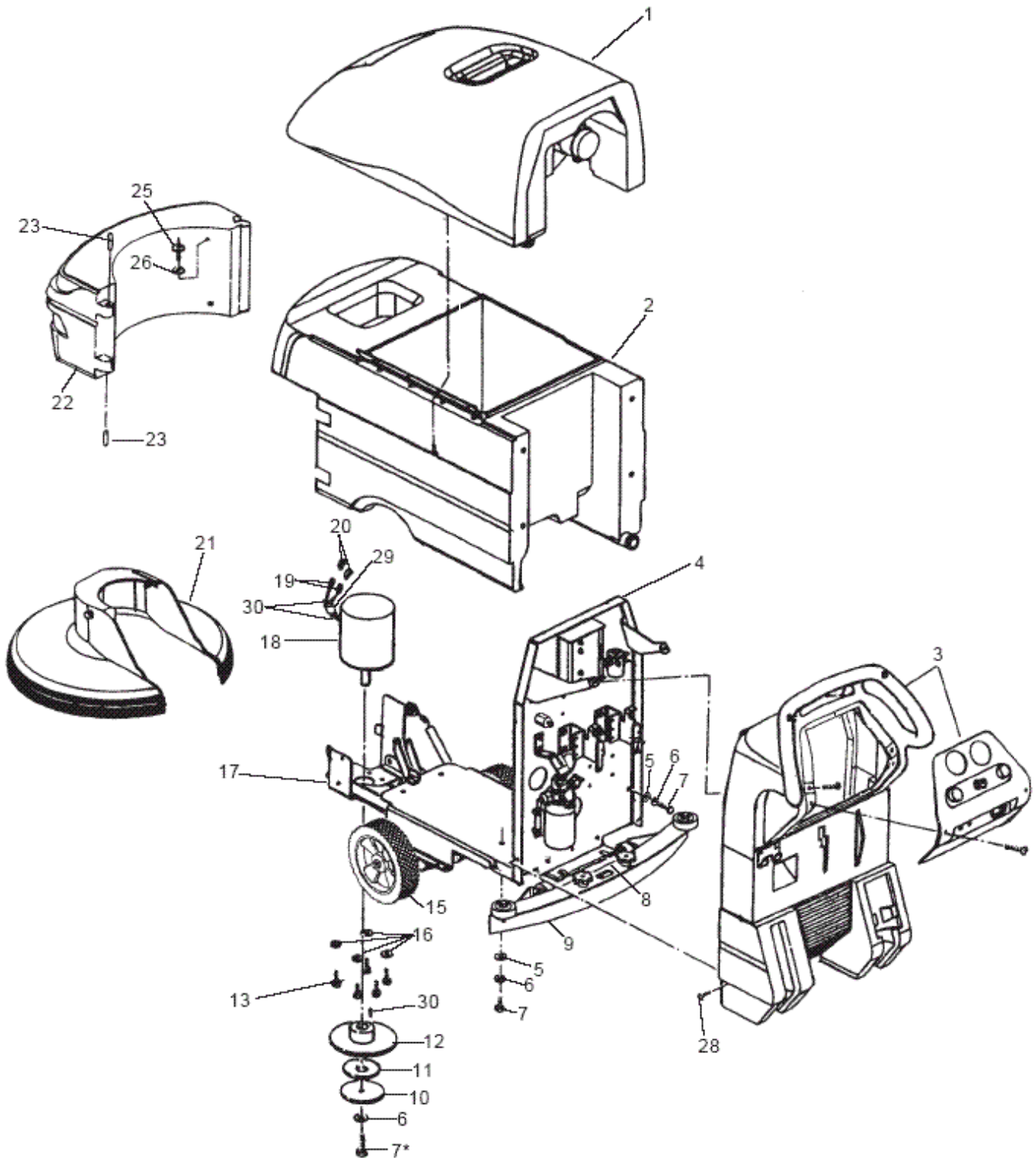
ENCORE 20 S / 20 L

03-02-2013

ID Liste de pièces
ENCORE20SL01

5

Final Assembly Drawing 8/04



* Recommended 12 ft. lbs torque, also apply blue loctite.

Final Assembly Drawing

ENCORE 20 S / 20 L

03-02-2013

ID Liste de pièces
ENCORE20SL01

6

Pos	Réf. Pièce	Qté	Description
5	980651	8	AXE
6	980652	9	RONDELLE 5/16
7	85811A	9	VIS 5/16-18
10	980210	1	RONDELLE
11	980679	1	RONDELLES D'APPUI
12	20308A	1	MOYEU ACCROCHAGE BROSSE
13	85727A	4	VIS 3/8 M
16	980638	4	RONDELLE
18	44809B	1	MOTEUR REDUCTEUR
19	41601A	2	FICHE PRISE BATTERIE
20	40645A	2	PROTECTION DE CONNECTEUR
22	32403B	1	PROTECTION
23	36902A	2	AXE NYLON
25	80256A	1	RIVET PLASTIC ANCHOR .250 X.75
26	80255A	1	WASHER NYLON .50 DIA
27	699202	2	COSSE
28	85518A	6	VIS 1/4-20X3/4
29	47202A	1	SUPPRESSEUR
30	915102	1	CLAVETTE
NI	38720A	1	SPACERBATT.COMP. REAR
NI	38721A	1	SPACERBATT. COMP.SIDE
NI	41206A	1	CABLE BATTERIE 16 INCH
NI	41211A	1	CABLES BATTERIE

RESERVOIR DE RECUPERATION

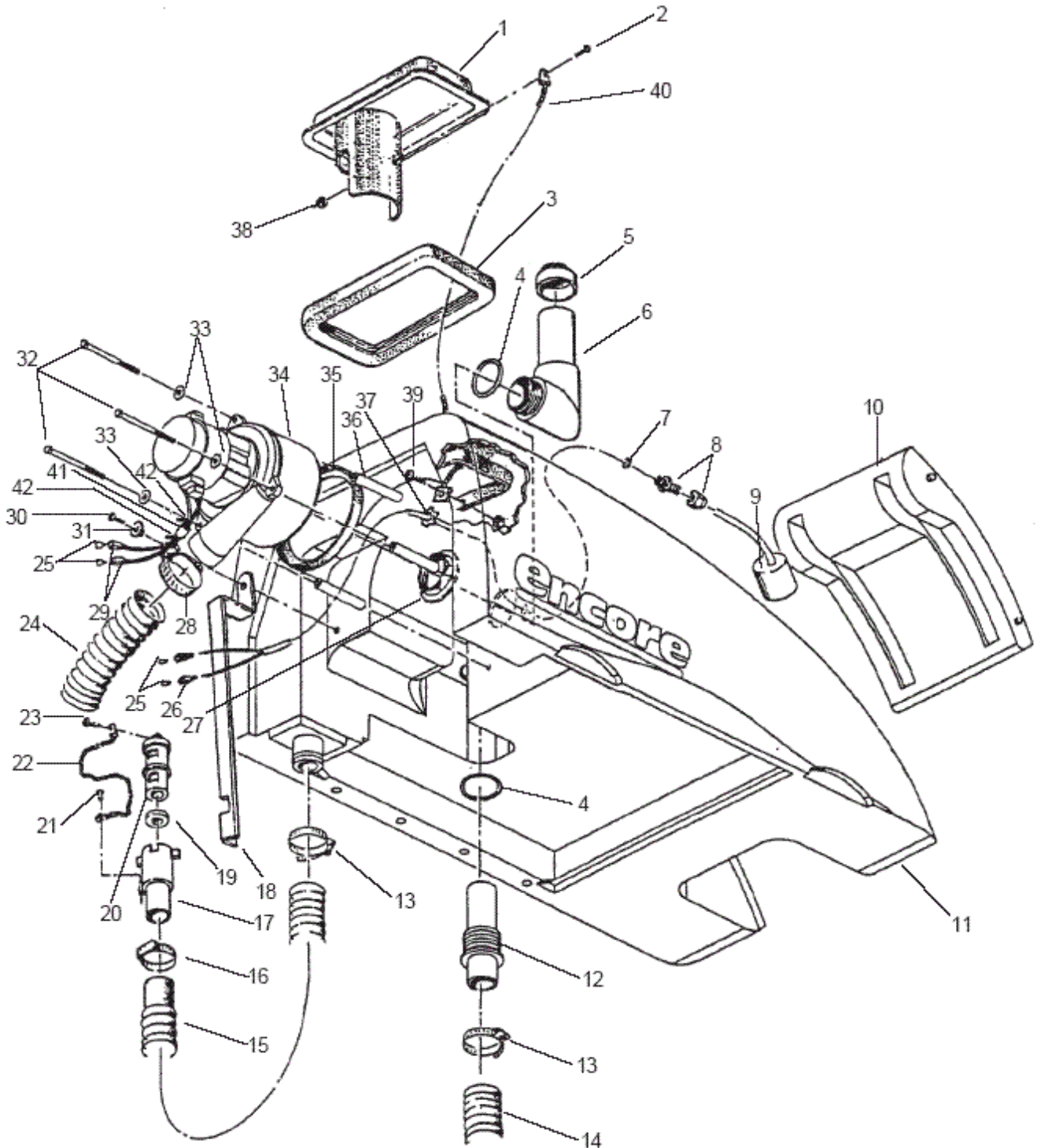
ENCORE 20 S / 20 L

03-02-2013

ID Liste de pièces
ENCORE20SL02

7

CLARKETECHNOLOGY
Encore S20/L20
Recovery Tank Assembly Drawing 7/02



RESERVOIR DE RECUPERATION

ENCORE 20 S / 20 L

03-02-2013

ID Liste de pièces
ENCORE20SL02

8

Pos	Réf. Pièce	Qté	Description
1	36209B	1	COUVERCLE RESERVOIR
2	962798	1	VIS 10-24X1/2
3	34256B	1	JOINT COUVERCLE
4	837304	2	JOINT TORIQUE
5	58069A	1	GRILLE ASPIRATION
6	39336B	1	TUBE
7	59877A	1	RONDELLE
8	56459A	1	VIS
9	10660A	1	FLOTTEUR
10	32401B	1	COVERREC.TANK BLUE ENCORE 20
11	30266A	1	CUVE DE RECUPERATION L20
12	30132A	1	RACCORD
13	752020	2	COLLIER SERFLEX D19-44
14	824103	1	FLEXIBLE ASPIRATION
15	30443A	1	FLEXIBLE VIDANGE
16	832002	1	COLLIER NYLON
17	839401	1	CORPS BOUCHON DE VIDANGE
18	65503A	1	FIXATION RESERVOIR
19	833407	1	JOINT VIDANGE
20	833901	1	BOUCHON VIDANGE
21	962958	1	VIS 8 18X1/2 PN
22	52206A	1	CHAINE POUR COUVERCLE
23	962987	1	VIS 10-24X 3/8
24	674110	1	TUBE ASPIRATION
25	41809A	4	CONTACTEUR
26	43402A	2	BOITIER ELECTRIQUE
27	920797	1	ECROU
28	872010	1	COLLIER DE SERRAGE
29	43401A	2	CARTER
30	962986	1	VIS 5/16-18X 3/4
31	87621A	1	ENTRETOISE
32	85728A	3	VIS
33	87026A	3	RONDELLE 250
34	56412218	1	MOTOR VAC 24VDC
35	643418	1	JOINT MOTEUR ASP
36	58533A	3	BAGUE D'ESPACEMENT
37	82100A	1	ECROU 1/2 INCH
38	81110A	1	ECROU 10 24 S.S
39	85519A	1	SCR 1/4 20X 3/8 PN SY TC F
40	692409	1	CHAINETTE COUVERCLE
41	47202A	1	SUPPRESSEUR
42	699202	2	COSSE
NI	839410	1	VANNE

INCLUDES 17,19, 20, 21, 22

Réservoir de solution

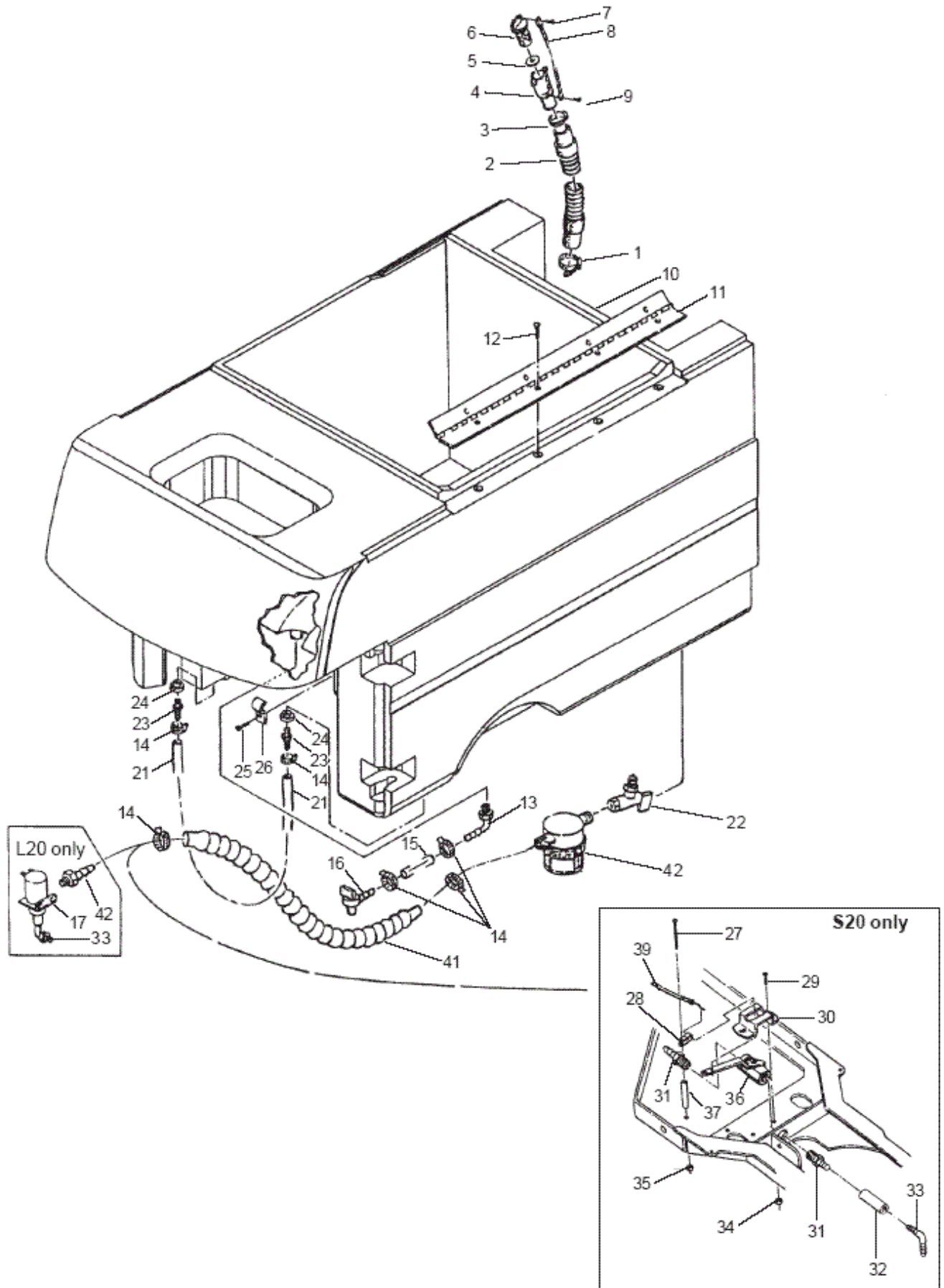
ENCORE 20 S / 20 L

03-02-2013

ID Liste de pièces
ENCORE20SL03

9

CLARKE TECHNOLOGY Encore S20/L20
Solution Tank Assembly Drawing 8/04



Réservoir de solution

ENCORE 20 S / 20 L

03-02-2013

ID Liste de pièces
ENCORE20SLU03

10

Pos	Réf. Pièce	Qté	Description	
1	752020	1	COLLIER SERFLEX D19-44	
2	30442A	1	TUYAU D'ECOULEMENT	
3	832002	1	COLLIER NYLON	
4	839401	1	CORPS BOUCHON DE VIDANGE	
5	833407	1	JOINT VIDANGE	
6	833901	1	BOUCHON VIDANGE	
7	962987	1	VIS 10-24X 3/8	
8	52206A	1	CHAINE POUR COUVERCLE	
9	962958	1	VIS 8 18X1/2 PN	
10	30265A	1	CUVE EAU PROPRE	
11	64517A	1	CHARNIERE DU BAC	
12	85398A	4	VIS 1/4M	
13	55162A	1	COUDE PLASTIQUE	
14	50248A	6	ATTACHE/COLLIER/FIXATIO	
15	39335A	1	TUBE	
16	59612A	1	VALVE	
17	59610A	1	SOUPAPE SOLUTION 24V	
21	30172A	1	TUBE D'EAU FRAICHE 16 1	
22	51204A	1	VANNE PRODUIT	
23	52414A	2	RACCORD DROIT	
24	51518A	2	TUBE	
25	84237A	1	VIS 10X32 1/2	
26	782002	1	ATTACHE	
27	85702A	1	VIS 20X1	ONLY S VERSION
28	832102	1	CLIP	ONLY S VERSION
29	962798	2	VIS 10-24X1/2	ONLY S VERSION
30	820823	1	SUPPORT	ONLY S VERSION
31	53618A	2	RACCORD D3/8 X 1/4	ONLY S VERSION
32	39337A	1	TUBE	ONLY S VERSION
33	51526A	1	DOUILLE	
34	81110A	2	ECROU 10 24 S.S	ONLY S VERSION
35	81104A	1	ECROU 1/4-20	ONLY S VERSION
36	849401	1	VANNE PRODUIT	ONLY S VERSION
37	678215	1	DOUILLE	ONLY S VERSION
38	53619A	1	ADAPTATEUR 3/8	ONLY L VERSION
39	11703A	1	CABLE	
41	35138A	1	CABLE	
42	53562A	1	FILTRE	
42	53563A	1	RACCORD 20X20 S.S.	REPAIR PARTS FOR # 53562A
42	53564A	1	FILTER UPPER BODY FOR 53562A	REPAIR PARTS FOR # 53562A
42	54369A	1	GASKETVITON FOR 53050A	REPAIR PARTS FOR # 53562A
NI	50389A	1	PLUNGER FOR 59610A SOL VALVE	
NI	50390A	1	SPRING FOR 59610A SOL VALVE	

Réservoir de solution

ENCORE 20 S / 20 L

03-02-2013

ID Liste de pièces
ENCORE20SL03

11

Pos	Réf. Pièce	Qté	Description
NI	50391A	1	DIAPHRAGM PTFE VITON 59610A
NI	839410	1	VANNE

RELEVAGE DE LA RACLETTE

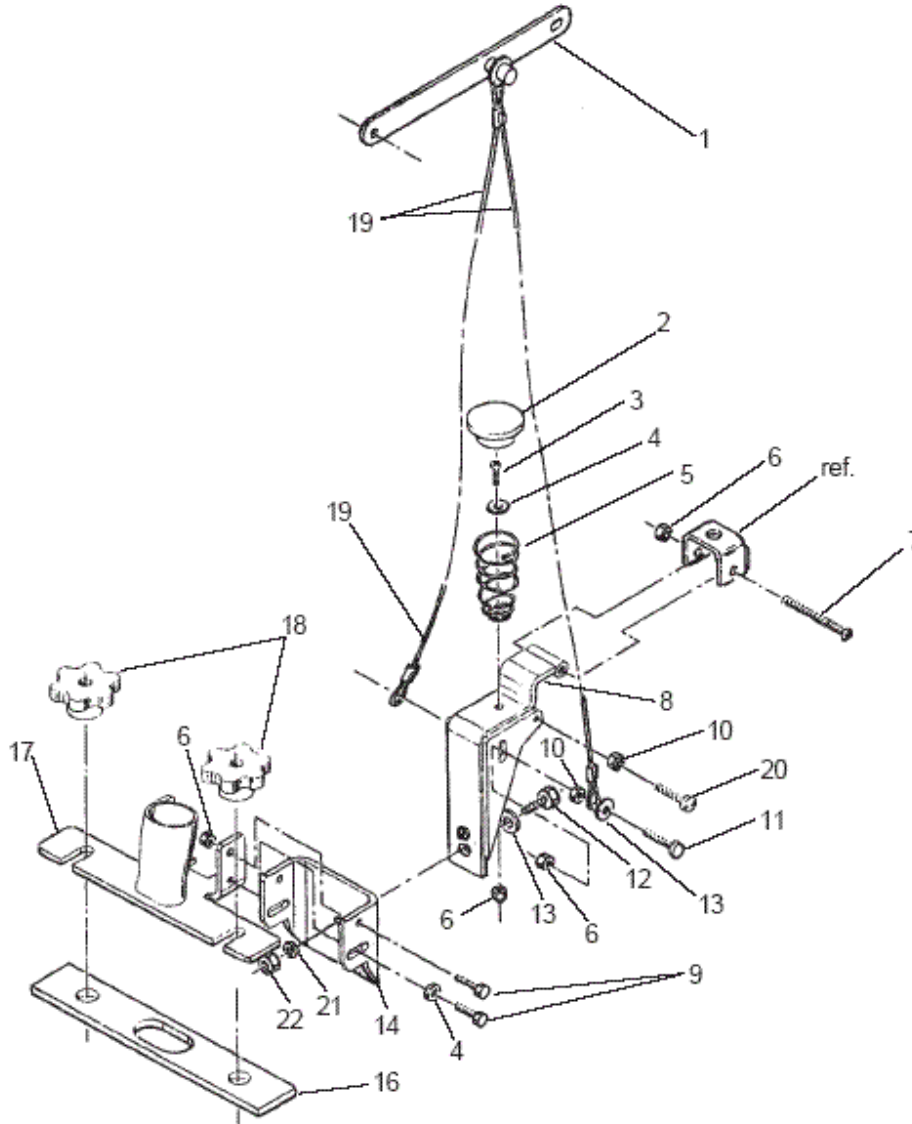
ENCORE 20 S / 20 L

03-02-2013

ID Liste de pièces
ENCORE20SL04

12

CLARKE TECHNOLOGY Encore S20/L20
Squeegee Lift Assembly Drawing and Parts List 10/03
Drawing # 18814A



Ref #	Part No.	Description	Qty.
1	ref.21,pg56,65	Handle	-
2	30517A	Bushing	1
3	85600A	Screw, 1/4-20 x 3/4	1
4	87026A	Washer, 1/4, SS	3
5	50034A	Spring, Squeegee	1
6	81104A	Nut, Nylock, 1/4	6
7	85396A	Screw, 1/4-20 x 2 SS	1
8	60225A	Swivel, Squeegee	1
9	170915	Screw, 1/4-20 x 3/4	4
10	920208	Nut, 1/4-20, Plated	4
11	962481	Screw, 1/4-20 x 1 1/4 Hex	2
12	85730A	Screw, 3/8-16, Hex	1
13	87031A	Washer, Flat, 3/8, SS	3
14	69860B	Pin, Bracket Weldment	1
16	34260B	Gasket, Squeegee	Ref.
17	61263A	Bracket, Tube	1
18	25201A	Knob, Clamping	Ref.
19	61677A	Cable, Lift, Squeegee	-
20	86408A	Screw, 1/4-20x1 Truss	2
21	980638	Lockwasher, 3/8 LT Spring Type	1
22	81111A	Nut, 3/8-16 ESNA	1

RELEVAGE DE LA RACLETTE

ENCORE 20 S / 20 L

03-02-2013

ID Liste de pièces
ENCORE20SL04

13

Pos	Réf. Pièce	Qté	Description
2	30517A	1	BOUCHON
3	85600A	1	VIS 1/4-20X3/4
4	87026A	3	RONDELLE 250
5	50034A	1	RESSORT
6	81104A	6	ECROU 1/4-20
7	85396A	1	VIS ETRIER
8	60225A	1	SUPPORT SUCEUR
9	170915	4	VIS 1/4
10	920208	4	ECROU 1/4
11	962481	2	VIS 1/4 PAR
12	85730A	1	VIS
13	87031A	3	RONDELLE 3/8
14	69860B	1	SUPPORT PIVOT
16	34260B	1	JOINT DE RACLETTE
17	61263A	1	SUPPORT BATI SUCEUR
18	25201B	1	ECROU
19	61677A	1	CABLE LEVEE SUCEUR
20	86408A	2	VIS 1/4 20X1 TR P SS
21	980638	1	RONDELLE
22	81111A	1	ECROU

Squeegee Assembly after SN #AC2077

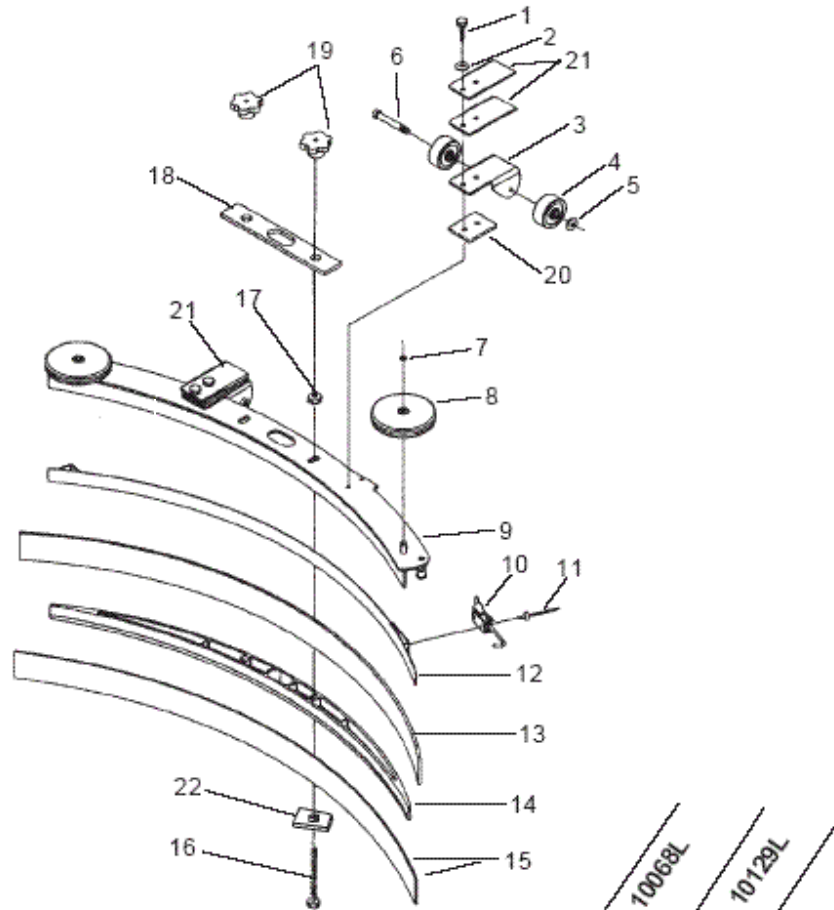
ENCORE 20 S / 20 L

03-02-2013

ID Liste de pièces
ENCORE20SL05

14

Clarke®
Encore S20/L20
Squeegee Assembly Drawing 12/06
Drawing # 10068A and 10129A (used on machines built after 4-8-03, starting with Serial #AC2077)



Ref. #	Part No.	Description	39" Qty	32" Qty
1	80252A	Screw, 1/4-20 x 1 Hex SS	-	4
	80253A	Screw, 1/4-20 x 1 1/2 Hex SS	4	-
2	980657	Washer, 1/4 Lock	4	4
3	60243A	Bracket, Squeegee Wheel	2	2
4	30049B	Wheel, Squeegee	4	4
5	81104A	Nut, 1/4-20	2	2
6	60254A	Bolt, Shoulder 5/16 x 2 1/4	2	2
7	50958A	Ring, 3/8 ID Snap	2	2
8	30048A	Wheel, Guide, 4 Inch Diameter	2	2
9	60272A	Channel, Squeegee Weldment 39"	1	-
	60234A	Channel, Squeegee Weldment 32"	-	1
10	50835A	Latch, Squeegee Clamp	1	1
11	930086	Rivet, 3/16 x .450 Aluminum	2	2
12	60252A	Strap, Clamp, Squeegee Retainer 39"	1	-
	60232A	Strap, Clamp, Squeegee Retainer 32"	-	1
13	30069L	Blade, Rear, Linatex, 39"	1	-
◆	30067L	Blade, Rear, Linatex, 32"	-	1
14	30058A	Spacer, Squeegee 39"	1	-
	30047A	Spacer, Squeegee 32"	-	1
15	30717L1	Blade, Front, Linatex 39"	1	-
◆	30764L1	Blade, Front, Linatex 32"	-	1
16	80011A	Screw, 3/8-16 x 3	2	2
17	81301A	Nut, 3/8-16 Jam SS	2	2
18	34260B	Gasket	1	1
19	25201A	Knob	2	2
20	60358A	Shim, Squeegee Wheel	2	2
21	61370A	Weight	8	4
22	80280A	Nut, Squeegee Backup	2	2

NOTE:◆ indicates a change has been made since the last publication of this manual.

Squeegee Assembly after SN #AC2077

ENCORE 20 S / 20 L

03-02-2013

ID Liste de pièces
ENCORE20SL05

15

Pos	Réf. Pièce	Qté	Description	
1	80252A	4	VIS 1/4 20X1	FOR 32" SQUEEGEE
1	80253A	4	SCR 1/4 20 X 1 1/2 HEX HD SS	FOR 39" SQUEEGEE
2	980657	4	RONDELLE .LK 1/4 STD	
3	60243A	2	LEVIER REGLAGE RACLETTE	
4	30049B	4	ROUE DE SUPPORT RACLETTE	
5	81104A	2	ECROU 1/4-20	
6	60254A	2	BOULON	
7	50958A	2	CLIP 3/8	
8	30048A	2	ROUE	
10	50835A	1	CLENCHE	
11	930086	2	RIVET	
12	60232A	1	CEINTURE L24/26	FOR 32" SQUEEGEE
12	60252A	1	MAINTIEN LAMELLE 39pouce	FOR 39" SQUEEGEE
13	30067L	1	LAMELLE AR LINATEX	FOR 32" SQUEEGEE
13	30069L	1	LAMELLE AR LINATEX	FOR 39" SQUEEGEE
14	30047A	1	PIECE D'ESPACE	FOR 32" SQUEEGEE
14	30058A	1	BAVETTE	FOR 39" SQUEEGEE
15	30717L1	1	BAVETTE ONTERIEURE	FOR 39" SQUEEGEE
15	30764L1	1	LAMELLE 1/8	FOR 32" SQUEEGEE
16	80011A	2	VIS 3/8 -16X3	
17	81301A	2	ECROU 3/8 M	
18	34260B	1	JOINT DE RACLETTE	
19	25201B	2	ECROU	
20	60358A	2	BARRE DE MAINTIENT	
21	61370A	8	POIDS 17/20/24/26	
22	80280A	2	PLAQUE SUPPORT	

Frame Assembly & Transaxle

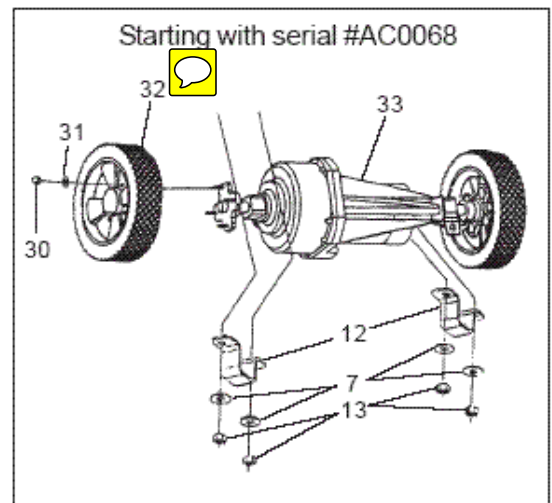
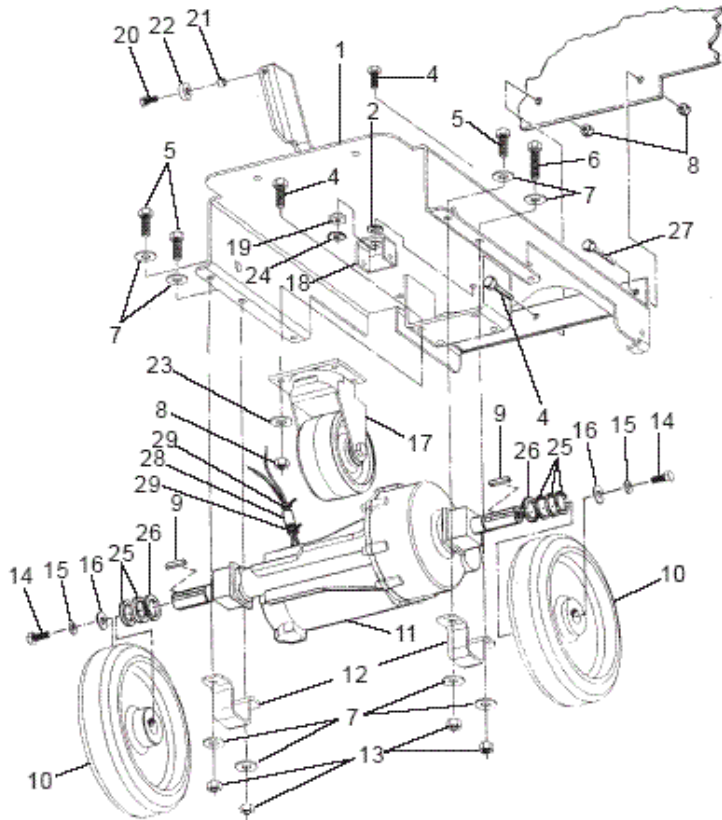
ENCORE 20 S / 20 L

03-02-2013

ID Liste de pièces
ENCORE20SL06

16

CLARKE TECHNOLOGY Encore L20 Frame Transaxle Assembly Drawing and Parts List 8/04



Ref #	Part No.	Description	Qty.
1	63431A	Frame	1
2	87607A	Washer, Nylon	1
4	85811A	Screw, 5/16-18 x 3/4	7
5	85727A	Screw, 3/8-16 x 1	3
6	85836A	Screw, 3/8-16 x 2	1
7	87031A	Washer, Flat, 3/8, SS	8
8	920110	Nut, 5/16-18 ESNA	7
9	915044	Key, 3/16 x 3/16 x 1	2
10	69204B	Wheel, Traverse (Grooved)	2
	69204A	Wheel, Traverse (Smooth)opt	2
11*	10380A	Transaxle (incl 30, 31, 32, 33)	1
12	62435A	Clamp, Transaxle	2
13	81105A	Nut, 3/8-16 ESNA	4
14	962620	Screw, Hex, 5/16-24 x 3/4	2
15	980652	Washer, Lock, 5/16	2
16	980205	Washer	2

Ref #	Part No.	Description	Qty.
17	61675A	Caster	1
18	61252A	Bracket, Squeegee	1
19	61433A	Nut, Spacer	1
20	85391A	Screw, 1/4-20 x 5/8	1
21	608210	Spacer, Bolt	1
22	51516A	Bushing	1
23	980651	Washer, Flat, Plated, 5/16	4
24	81112A	Nut, 5/16 ESNA Thin SS	1
25	87616A	Washer	5
26	57423A	Ring, Retainer	2
27	85814A	Screw, 5/16 -18 x 1 1/4	1
28	47202A	Suppressor	1
29	699202	Wire Tie	2
30	81217A	Nut, 1/4-20 S.S. Thin	8
31	87026A	Washer, Flat 1/4 S.S.	8
32	61437A	Wheel Assembly	2
33	52827A	Transaxle (after serial #AC0068)	1

NOTE: *69165A Transaxle Assembly has been cross-referenced to 10380A but service parts are still available

Transaxle P/N			
Qty	Description	*69165A	52827A
1	Motor, Transaxle	45044A	40579A
1	Coupler, Motor Drive	52660A	50983A
1	Gear Box and Assembly	69189A	40577A
1	Brush Asm., Comm End	52940A	40578A
2	Sleeve, Elastomeric	51202A	51056A
2	Flange, Wheel Kit	_____	10135A

Frame Assembly & Transaxle

ENCORE 20 S / 20 L

03-02-2013

ID Liste de pièces
ENCORE20SL06

17

Pos	Réf. Pièce	Qté	Description	
1	63431A	1	CHASSIS L20	
2	87607A	1	RONDELLE PLATE	
4	85811A	7	VIS 5/16-18	
5	85727A	3	VIS 3/8 M	
6	85836A	1	VIS 3/8 16X2	
7	87031A	8	RONDELLE 3/8	
8	920110	7	ECROU 5/16-18	
9	915044	2	CLAVETTE	
10	69204B	2	ROUE ANTI-DERAPANTE	
11	10380A	1	TRANSAXLE	
12	62435A	2	ATTACHE/FIXATION/COLLIER	
13	81105A	4	ECROU FREIN 3/8-16	
14	962620	2	VIS 5/16	
15	980652	2	RONDELLE 5/16	
16	980205	2	RONDELLE	
17	61675A	1	ROULETTE	
18	61252A	1	SUPPORT RACLETTE	
19	61433A	1	ENTRETOISE	
20	85391A	1	VIS 1/4 20X 5/8	
21	608210	1	ENTRETOISE	
22	51516A	1	BALET	
23	980651	4	AXE	
24	81112A	1	ECROU 5/16-18	
25	87616A	5	RONDELLE NYLON	
26	57423A	2	JOINT D'ARRET	
27	85814A	1	VIS 5/16-18	
28	47202A	1	SUPPRESSEUR	
29	699202	2	COSSE	
30	81217A	8	ECROU 1/4-20X 218	
31	87026A	8	RONDELLE 250	
32	61437A	2	ROUE D205X50	
33	52827B	1	MOTEUR REDUCTEUR ENCORE 20	after serial #AC0068
101	40577A	1	DIFFERENTIEL	FOR 52827A
101	40578A	1	BRUSH CARBON SET FOR 52827A	FOR 52827A
101	40579B	1	MOTOR FOR TRANSAXLE 52827B	FOR 52827A
101	45044A	1	MOTEUR TRACTION	FOR 69165A
101	50983A	1	ACCOUPLLEMENT	FOR 52827A
101	52660A	1	COUPLEUR MOTEUR	FOR 69165A
101	52940A	1	SUPPORT CHARBONS	FOR 69165A
101	69189A	1	REDUCTEUR DIFFERENTIEL	FOR 69165A
102	10135A	1	MOYEU	FOR 52827A
102	51056A	1	MANCHETTE ELASTOMERE POUR	FOR 52827A
102	51202A	1	ARBRE MOTEUR	FOR 69165A

Frame Assembly S20 from SN BHXXXX

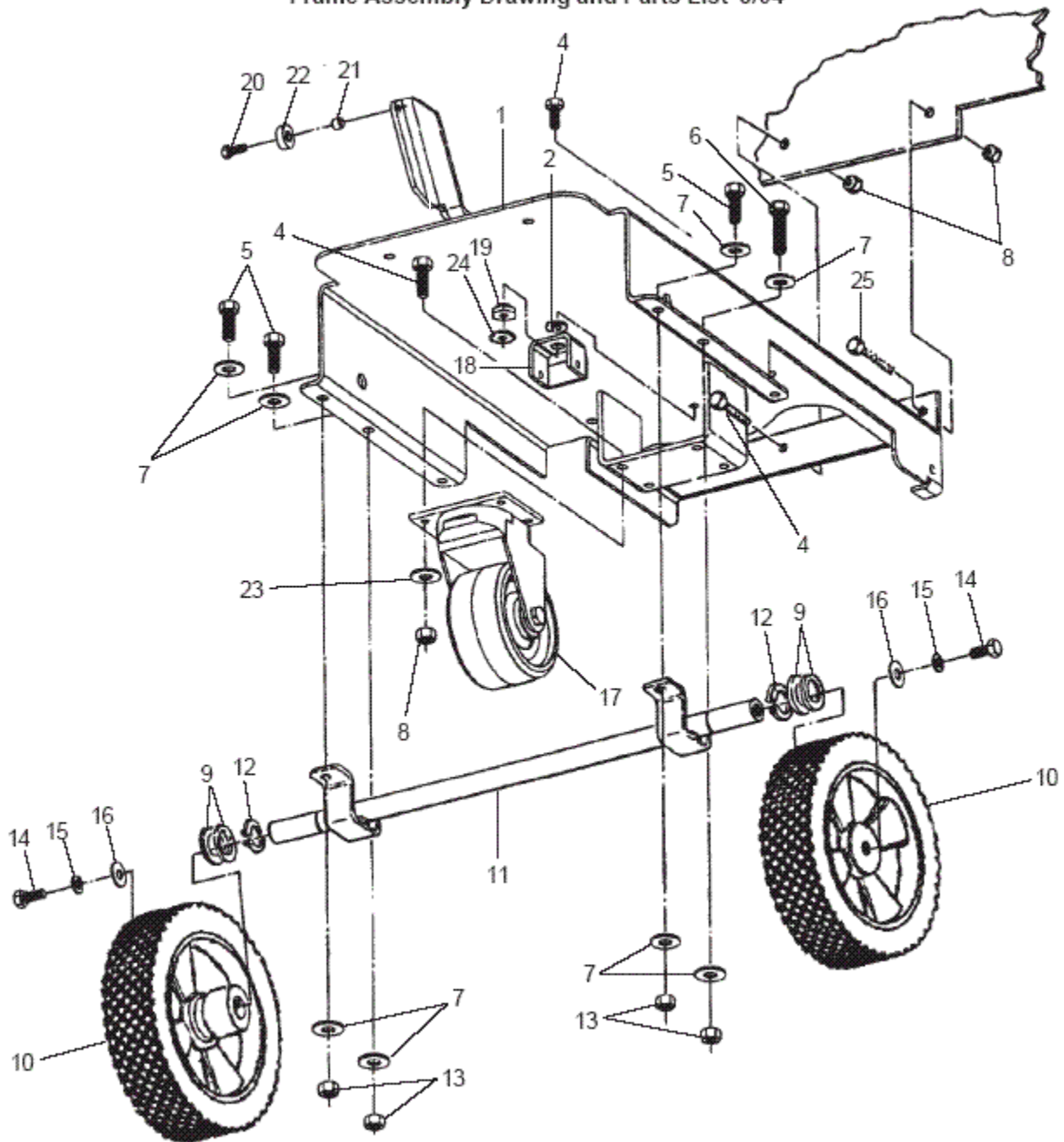
ENCORE 20 S / 20 L

03-02-2013

ID Liste de pièces
ENCORE20SL07

18

CLARKTECHNOLOGY Encore S20 Frame Assembly Drawing and Parts List 8/04



Frame Assembly S20 from SN BHXXX

ENCORE 20 S / 20 L

03-02-2013

ID Liste de pièces
ENCORE20SL07

19

Pos	Réf. Pièce	Qté	Description
1	63431A	1	CHASSIS L20
2	87607A	1	RONDELLE PLATE
4	85811A	7	VIS 5/16-18
5	85727A	3	VIS 3/8 M
6	85836A	1	VIS 3/8 16X2
7	87031A	8	RONDELLE 3/8
8	920110	7	ECROU 5/16-18
9	87616A	4	RONDELLE NYLON
10	61436B	2	ROUE
11	60535A	1	AXE
12	57423A	2	JOINT D'ARRET
13	81105A	4	ECROU FREIN 3/8-16
14	962620	2	VIS 5/16
15	980652	2	RONDELLE 5/16
16	980205	2	RONDELLE
17	61675A	1	ROULETTE
18	61252A	1	SUPPORT RACLETTE
19	61433A	1	ENTRETOISE
20	85391A	1	VIS 1/4 20X5/8
21	608210	1	ENTRETOISE
22	51516A	1	BALET
23	980651	4	AXE
24	81112A	1	ECROU 5/16-18
25	85814A	1	VIS 5/16-18

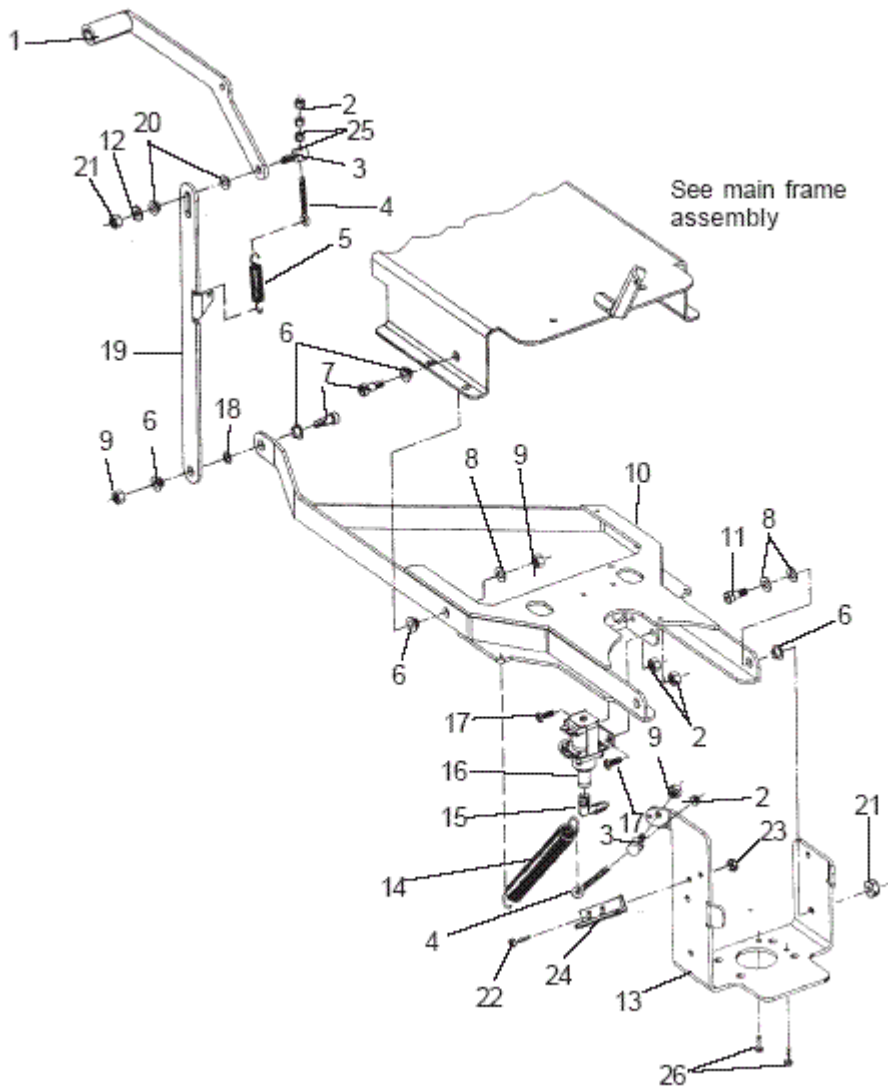
Brush Lift

ENCORE 20 S / 20 L

03-02-2013

ID Liste de pièces
ENCORE20SL08

20



Brush Lift

ENCORE 20 S / 20 L

03-02-2013

ID Liste de pièces
ENCORE20SL08

21

Pos	Réf. Pièce	Qté	Description
2	81104A	4	ECROU 1/4-20
3	848508	2	RACCORD
4	80042A	2	BOLTEYE 1/2I.D.1/4 20 THRD.
5	58691A	1	RESSORT LEVIER BROSSE
6	87620A	8	RONDELLE NYLON
7	80041A	3	BOULON 3/8X3/8
8	87618A	6	RONDELLE 75X39
9	920181	4	ECROU NYLSTOP
10	63432A	1	CHASSIS POUR BROSSE
11	80040A	2	BOULON 3/8 X 3/8
12	980692	1	RONDELLE 5/16
13	69861A	1	MAINTIEN MOTEUR BROSSE
14	56493A	1	RESSORT
15	51526A	1	DOUILLE
16	59610A	1	SOUPAPE SOLUTION 24V
17	85391A	2	VIS 1/4 20X 5/8
18	87619A	1	RONDELLE PLATE
19	60207A	1	LINKBRUSH LIFT ENCORE 20
20	87621A	2	ENTRETOISE
21	81112A	3	ECROU 5/16-18
22	962798	2	VIS 10-24X1/2
23	81110A	2	ECROU 10 24 S.S
24	64239A	1	PLATEDEFLECTOR PLTD. ENC.20
25	608210	1	ENTRETOISE
26	962554	2	SCR 1/4 28X 1/2 HX ST MACH

Brush housing

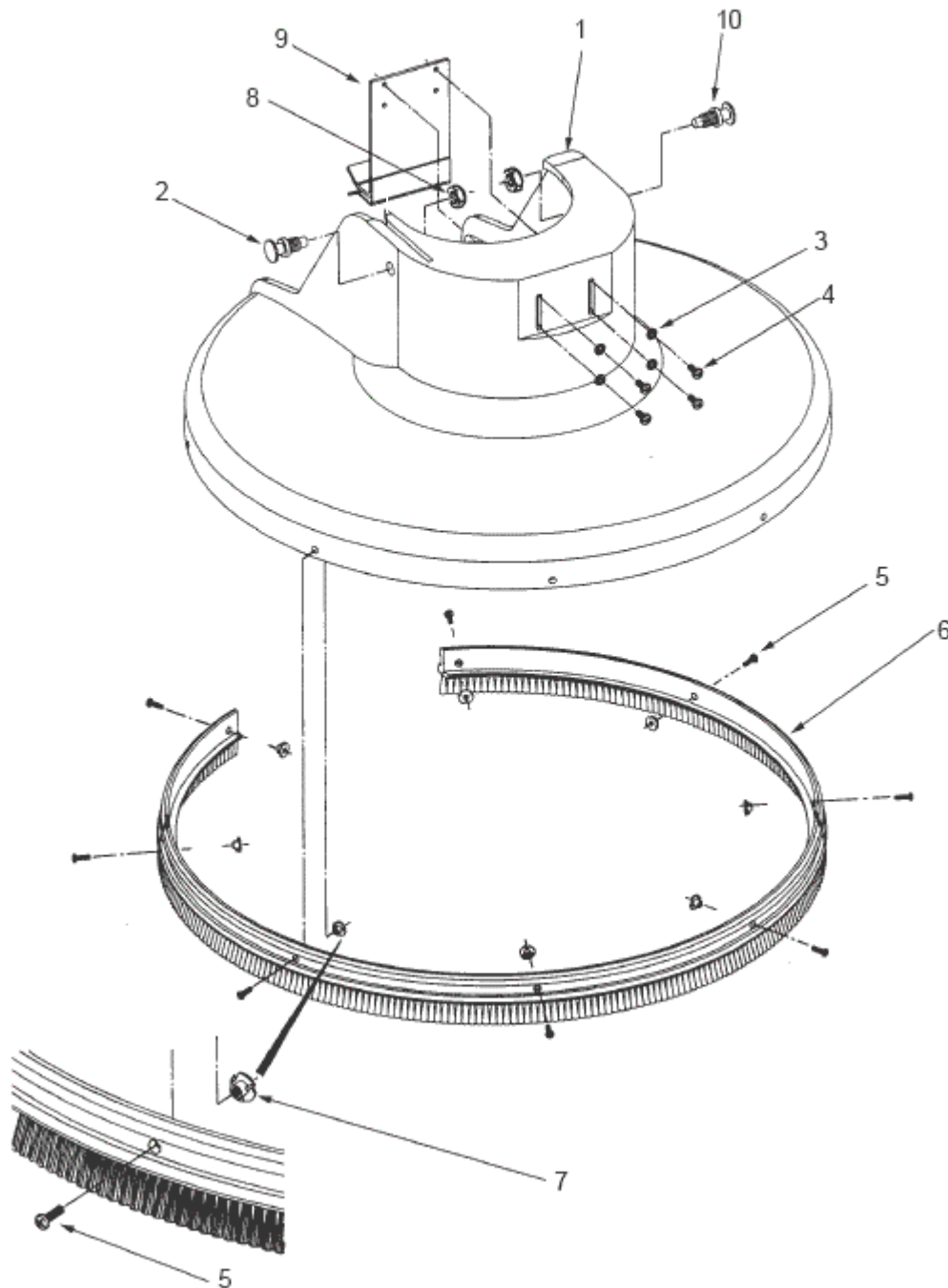
ENCORE 20 S / 20 L

03-02-2013

ID Liste de pièces
ENCORE20SL09

22

CLARKTECHNOLOGY
Encore S20/L20
Brush Housing Assembly Drawing and Parts List 7/02
Drawing # 11447A



Brush housing

ENCORE 20 S / 20 L

03-02-2013

ID Liste de pièces
ENCORE20SL09

23

Pos	Réf. Pièce	Qté	Description
1	30255A	1	PROTECTION BROSSE
2	636706	1	LOQUET VERROUILLAGE
3	980603	4	RONDELLE
4	962798	4	VIS 10-24X1/2
5	84237A	8	VIS 10X32 1/2
6	38241A	1	PROTECTION
7	82004A	8	ECROU 10X32
8	920278	2	ECROU 1/2
9	62438A	1	SUPPORT
10	66550A	1	LOQUET CAPOT AVANT DROIT

Transaxle repair parts 4/01

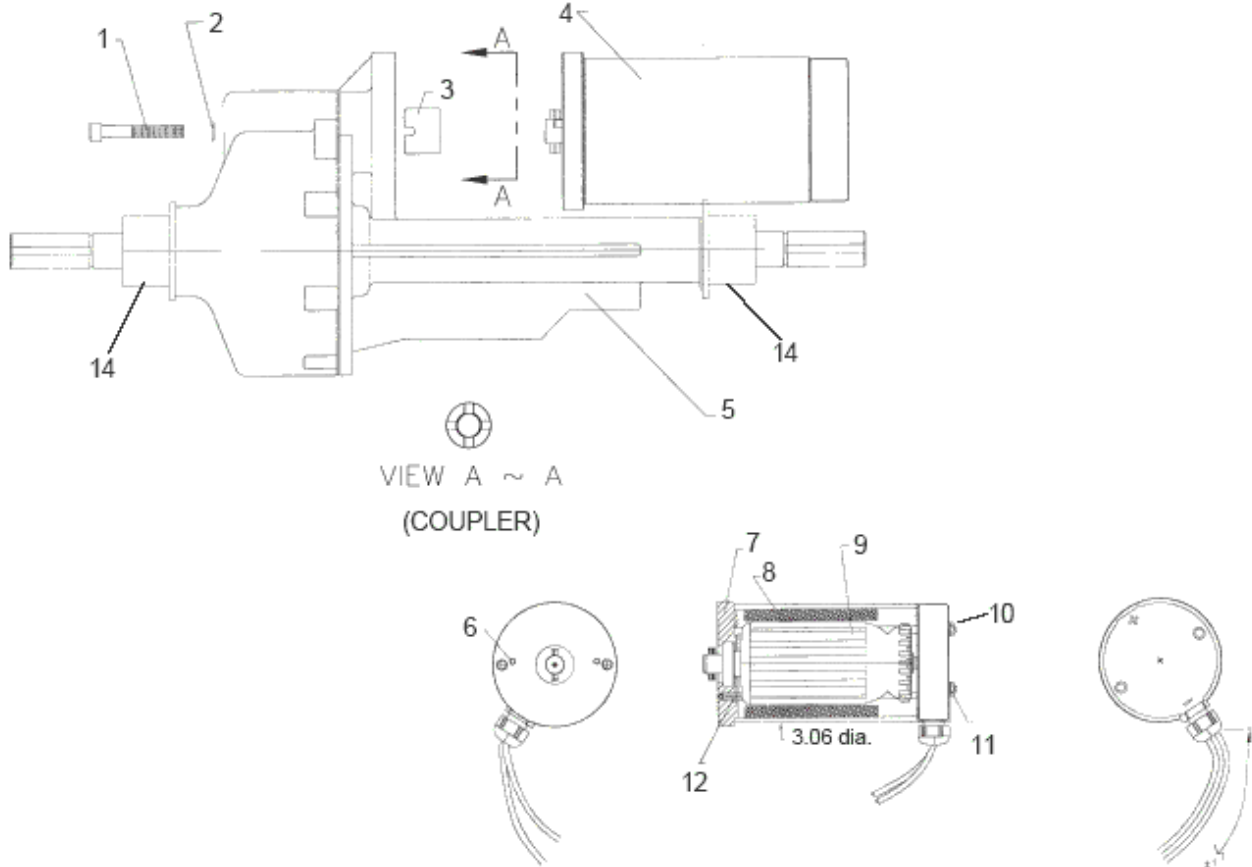
ENCORE 20 S / 20 L

03-02-2013

ID Liste de pièces
ENCORE20SL10

24

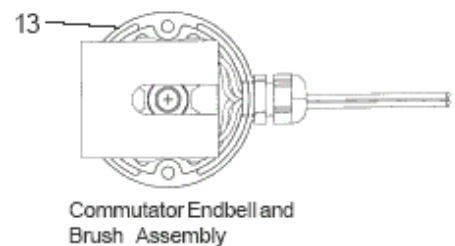
CLARKE TECHNOLOGY Encore L20 Transaxle Repair Parts 4/01



Ref #	Part No.	Description	Qty.
1		Screw, 1/4-20	-
2		Washer, 1/4 Lock	-
3	52660A	Coupler	1
4	45044A	Motor	1
5	69189A	Transaxle Gearbox Assembly	1
6		Pin, Dowel	-
7		End Plate, Output	-
8		Magnet and Housing Assembly	-
9		Armature and Bearing Assembly	-
10		Washer, #10 Lock	-
11		Nut 10-32	-
12		Stud	-
13	52940A	Commutator End Bell & Brush Asm.	1
14	51202A	Mount, Bushing	2

Torque #1 80 inch pounds
Torque #11 40-45 inch pound tooth nuts
#12 Loctite #262

NOTE: Transaxle unit is sealed. No lubrication required



Installation Instructions:

1. With motor still fastened to transaxle gearbox, remove old endbell by backing off the two 10-32 nuts and removing the lock washers. Slide endbell off motor.
2. Assemble new commutator endbell and brush assembly by sliding it over shaft and motor studs until brush retaining clip bottoms out. Holding endbell still, slide retaining clip out from between the brushes and commutator. Push the endbell on the rest of the way until endbell casting bottoms on the motor frame. Replace the lock washers and nuts and torque the nuts 40-45 in.-lbs.

Transaxle repair parts 4/01

ENCORE 20 S / 20 L

03-02-2013

ID Liste de pièces
ENCORE20SL10

25

Pos	Réf. Pièce	Qté	Description
3	52660A	1	COUPLEUR MOTEUR
4	45044A	1	MOTEUR TRACTION
5	69189A	1	REDUCTEUR DIFFERENTIEL
13	52940A	1	SUPPORT CHARBONS
14	51202A	2	ARBRE MOTEUR

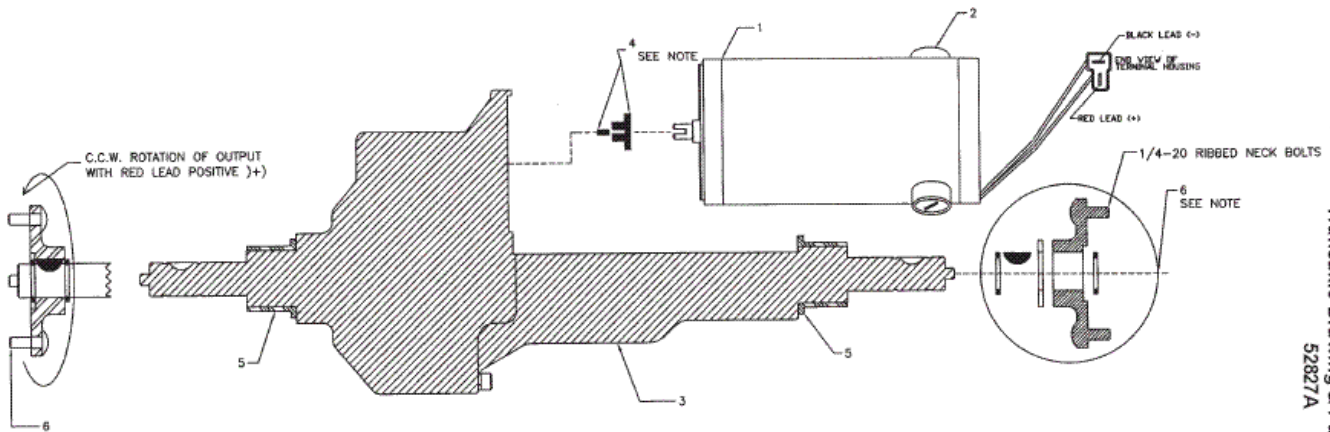
Transaxle Drawing & Parts List 2/03

ENCORE 20 S / 20 L

03-02-2013

ID Liste de pièces
ENCORE20SL11

26



CLARKE TECHNOLOGY
 Encore S20/L20
 Transaxle Drawing & Parts List 2/03
 52827A

NOTE:

ITEM #4 INCLUDES THE FOLLOWING PARTS:

- (1) MOTOR COUPLER
- (1) MOTOR KEY

ITEM #6 INCLUDES THE FOLLOWING PARTS:

- (2) SNAP RINGS
- (1) WOODRUFF KEY
- (1) WHEEL FLANGE
- (4) 1/4-20 X 1" LONG RIBBED CARRIAGE BOLTS
- (1) 0.010" THICK SHIM

REF. #	CLARKE P/N	DESCRIPTION	QTY
6	10135A	WHEEL HUB KIT	2
5	51056A	MOUNT, BUSHING	2
4	509B3A	COUPLER, TRANSAXLE	1
3	40577A	GEARBOX ASM., TRANSAXLE	1
2	40578A	BRUSH ASM., COM END	1
1	40578A	MOTOR, TRANSAXLE	1
PARTS LIST			

Transaxle Drawing & Parts List 2/03

ENCORE 20 S / 20 L

03-02-2013

ID Liste de pièces
ENCORE20SL11

27

Pos	Réf. Pièce	Qté	Description
	10135A	2	MOYEU
	40577A	1	DIFFERENTIEL
	40578A	1	BRUSH CARBON SET FOR 52827A
0	40579B	1	MOTOR FOR TRANSAXLE 52827B
	50983A	1	ACCOUPLLEMENT
	51056A	2	MANCHETTE ELASTOMERE POUR

MOTEUR DE BROSE

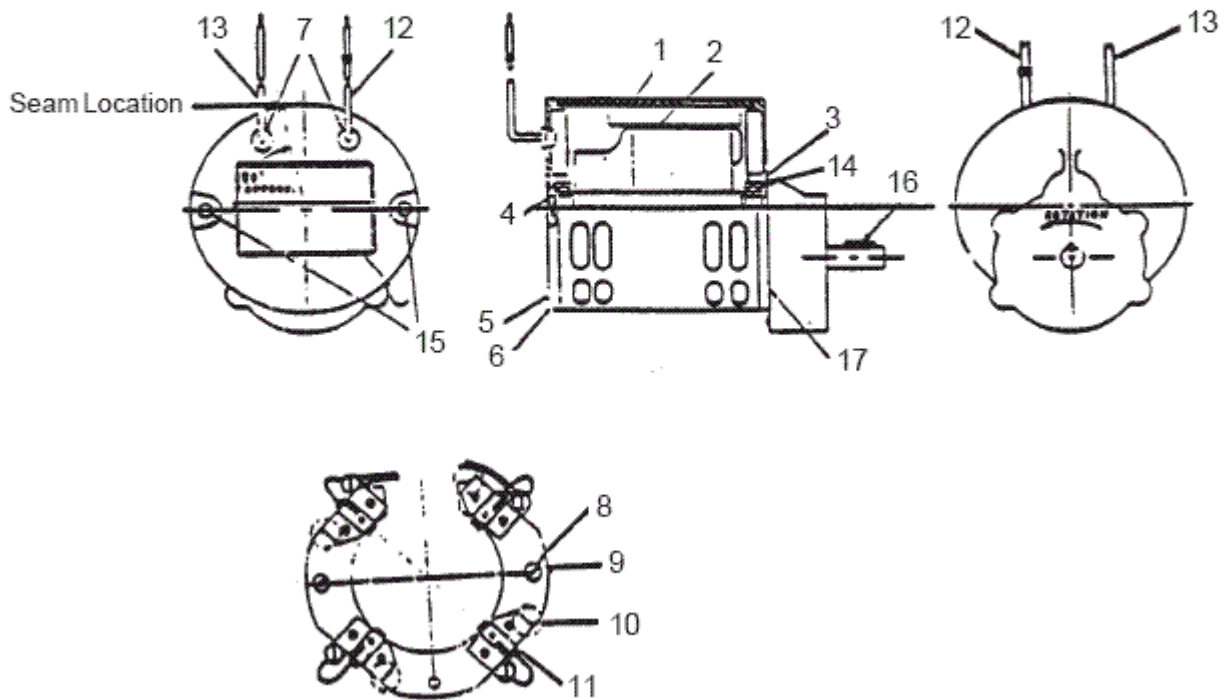
ENCORE 20 S / 20 L

03-02-2013

ID Liste de pièces
ENCORE20SL12

28

CLARKETECHNOLOGY
Encore S20/L20
Brush Motor Drawing & Parts List 4/01
Motor Asm. 44809B



MOTEUR DE BROSE

ENCORE 20 S / 20 L

03-02-2013

ID Liste de pièces
ENCORE20SL12

29

Pos	Réf. Pièce	Qté	Description
1	56478A	1	STATOR
2	50142A	1	ROTOR
3	902654	1	ROULLEMENT
4	902550	1	ROULEMENT A BILLES
6	50520A	1	BRACKET COMMUTATOR 1700/2000
7	56480A	2	STRAIN RELIEF MOTOR 1700/2000
8	962546	2	VIS 10.24 1/2
9	50517A	1	CHARBON
10	448396	4	RESSORT DE BROSE
11	40826A	4	CHARBON MOTEUR BROSE
12	55657A	1	LEAD ASM POSTIVE FOR MTR NO.44
13	55656A	1	LEAD ASM NEGATIVE FOR MTR NO.4
15	50515A	2	VIS
16	80501A	1	CLAVETTE
17	54238A	1	REDUCTEUR

Gearbox assembly

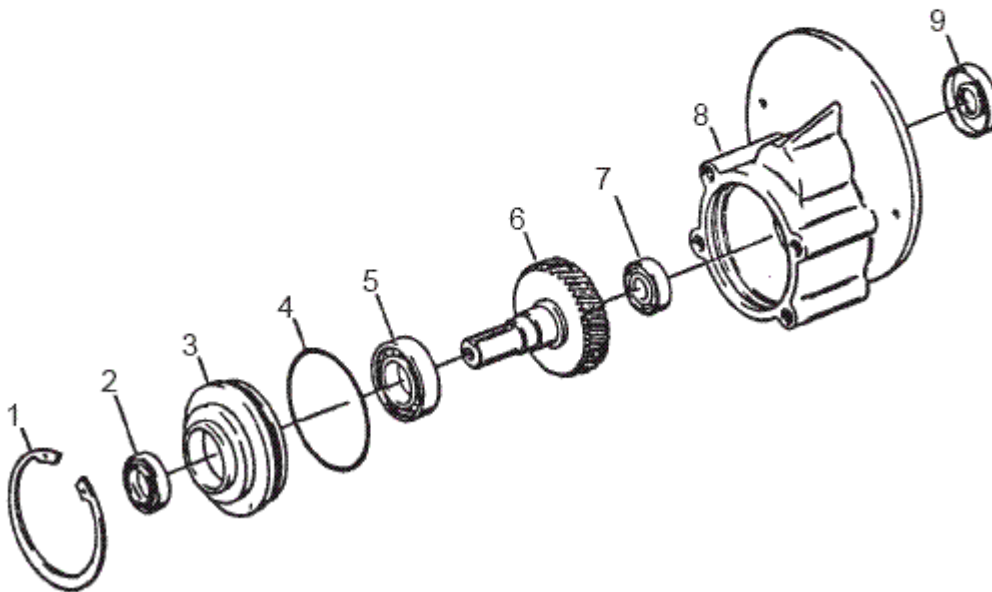
ENCORE 20 S / 20 L

03-02-2013

ID Liste de pièces
ENCORE20SL13

30

CLARKETECHNOLOGY
Encore S20/L20
Gearbox Assembly Drawing and Parts List 7/97
Form #54238A



Gearbox assembly

ENCORE 20 S / 20 L

03-02-2013

ID Liste de pièces
ENCORE20SL13

31

Pos	Réf. Pièce	Qté	Description
1	57846A	1	CLIP
2	507641	1	JOINT D'HUILE
3	52050A	1	CACHE
4	56668A	1	JOINT TORIQUE
5	51176A	1	ROULEMENT
6	58316A	1	PIGNON
7	902605	1	ROULEMENT
8	54883A	1	CORPS PIGNON 1700/2000
9	58144A	1	JOINT HUILE

Vacuum Motor

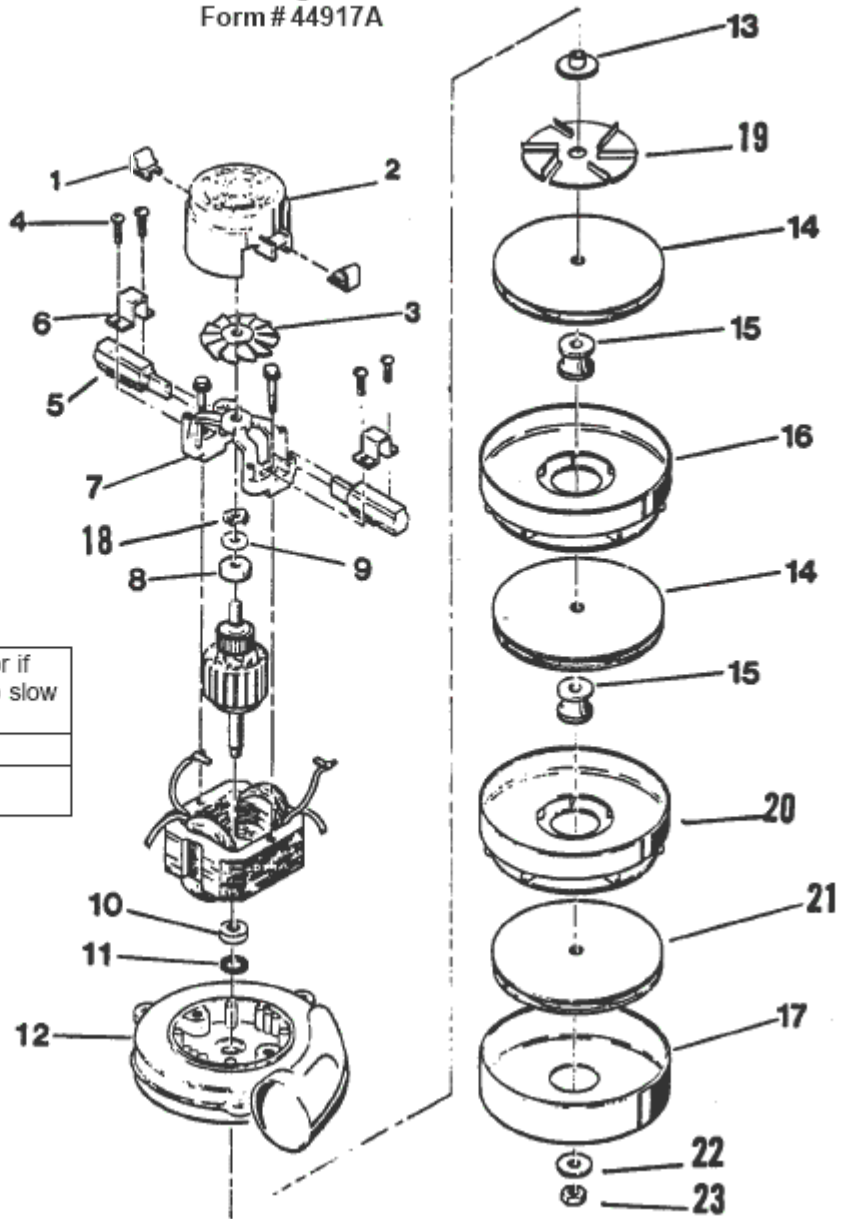
ENCORE 20 S / 20 L

03-02-2013

ID Liste de pièces
ENCORE20SL14

32

CLARKE TECHNOLOGY Encore S20/L20
Vacuum Motor Model
Drawing 4/01
Form # 44917A



* Recommended Brush Replacement

1 st	Replace at 800 hours or if vacuum motor runs too slow to pick up water
2 nd	50% of 1 st
3 rd	33% of 1 st

Vacum Motor

ENCORE 20 S / 20 L

03-02-2013

ID Liste de pièces
ENCORE20SL14

33

Pos	Réf. Pièce	Qté	Description
2	54809A	1	CARTER
4	85303A	4	SCREW 8 32 X 3/8 PN ST PH
5	40817A	2	CHARBON MOTEUR
7	50618A	1	BRACKET-END COMM.
11	59803A	1	RONDELLE
14	53914A	2	VENTILATEUR ROUE
15	658201	2	SPACER

Battery Charger

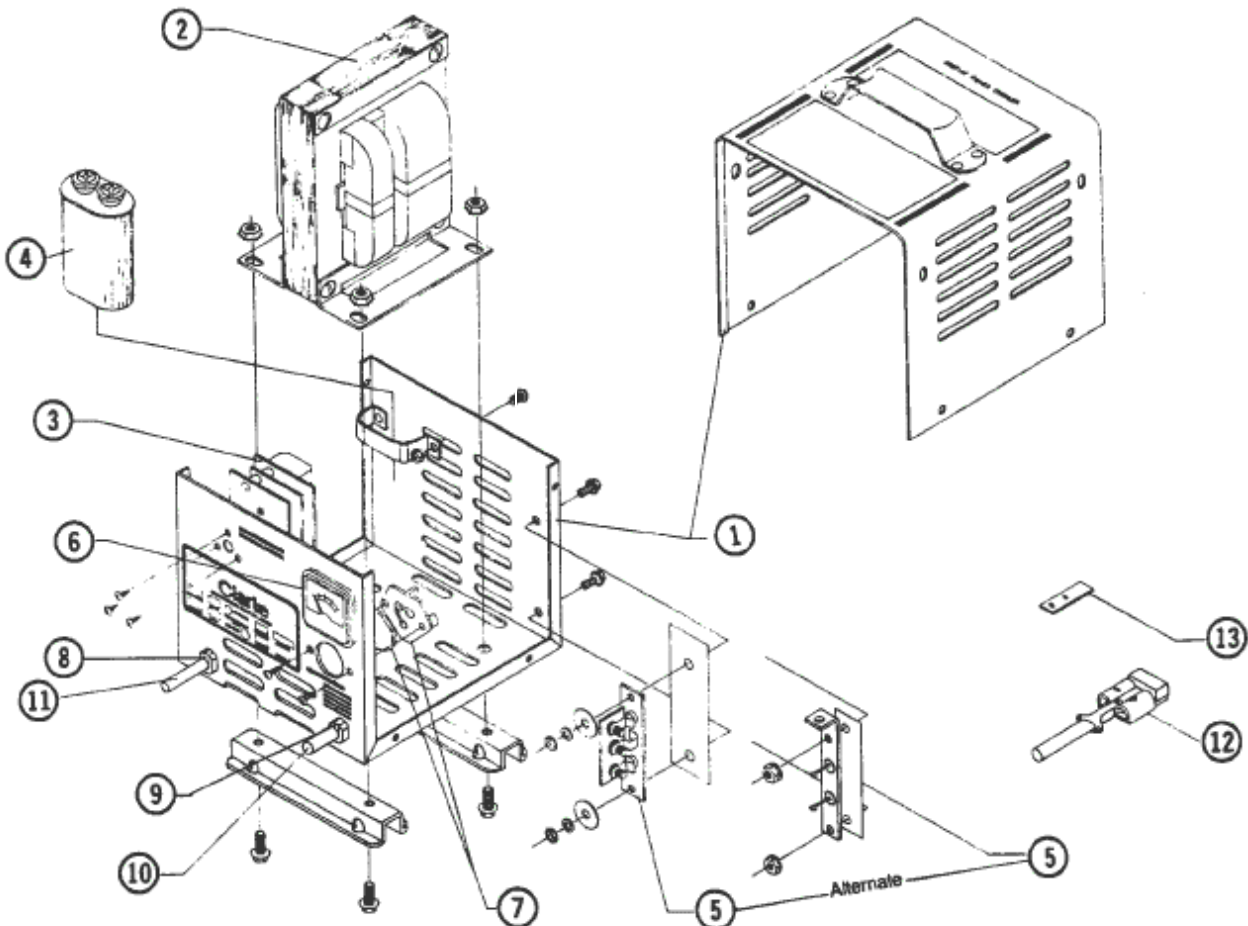
ENCORE 20 S / 20 L

03-02-2013

ID Liste de pièces
ENCORE20SL15

34

CLARKTECHNOLOGY
Encore S20/L20
Battery Charger Drawing and Parts List 7/97



WARNING: All electrical repairs must be performed by qualified personnel only.

Charger #40512A: 24 volt, 25 amp D.C., 115 volt, A.C., 60 Hz.

Charger #40513A: 24 volt, 25 amp D.C., 230 volt, A.C., 50 Hz

Ref. No.	Description	Charger 40512A	Charger 40513A
1	Charger Case	41129A	* -----
2	Transformer	* -----	48409A
3	Electronic Controller Kit	47500A	48200A
4	Capacitor, 660 V.A.C.	912132	912132
5	Heat Sink Assembly	912212	912212
6	Ammeter	40200A	40200A
7	Fuse Holder	912382	912382
8	Strain Relief, A.C. Cord	* -----	* -----
9	Strain Relief, D.C. Cord	747553	747553
10	D.C. Cord Assembly	51986A	51986A
11	A.C. Cord Assembly	51974A	908947
12	Housing, Red	911470	* -----
13	D.C. Plug Lock Key	795020	795020

* NOTE: Parts not available at this time.

Battery Charger

ENCORE 20 S / 20 L

03-02-2013

ID Liste de pièces
ENCORE20SL15

35

Pos	Réf. Pièce	Qté	Description
1	41129A	1	ASM-MODEL 13080 CASE
3	48200A	1	PLATINE ELECTRONIQUE
4	912132	1	CAPACITOR 6 MFD
5	56373047	1	HEAT SINK ASSY W/DI E00074
6	40200A	1	AMMETER DC 0 35 AMPS
7	912382	1	FUSE ASS Y 832415 4
9	747553	1	STRAIN RELIEFSR7W2 CM20
10	51986A	1	CORD SETDC W/PLUG KEY
11	51974A	1	CORD 78 POWER FOR 40503A 6
11	908947	1	CORD ASM-AC 230V LESTER 9108
12	911470	1	CADRE CONNECTEUR BATTERIE
13	795020	1	FICHE

Electronic solution valve kit without shut-off

03-02-2013

ID Liste de pièces
ENCORE20SL16

36

ENCORE 20 S / 20 L

CLARKE TECHNOLOGY

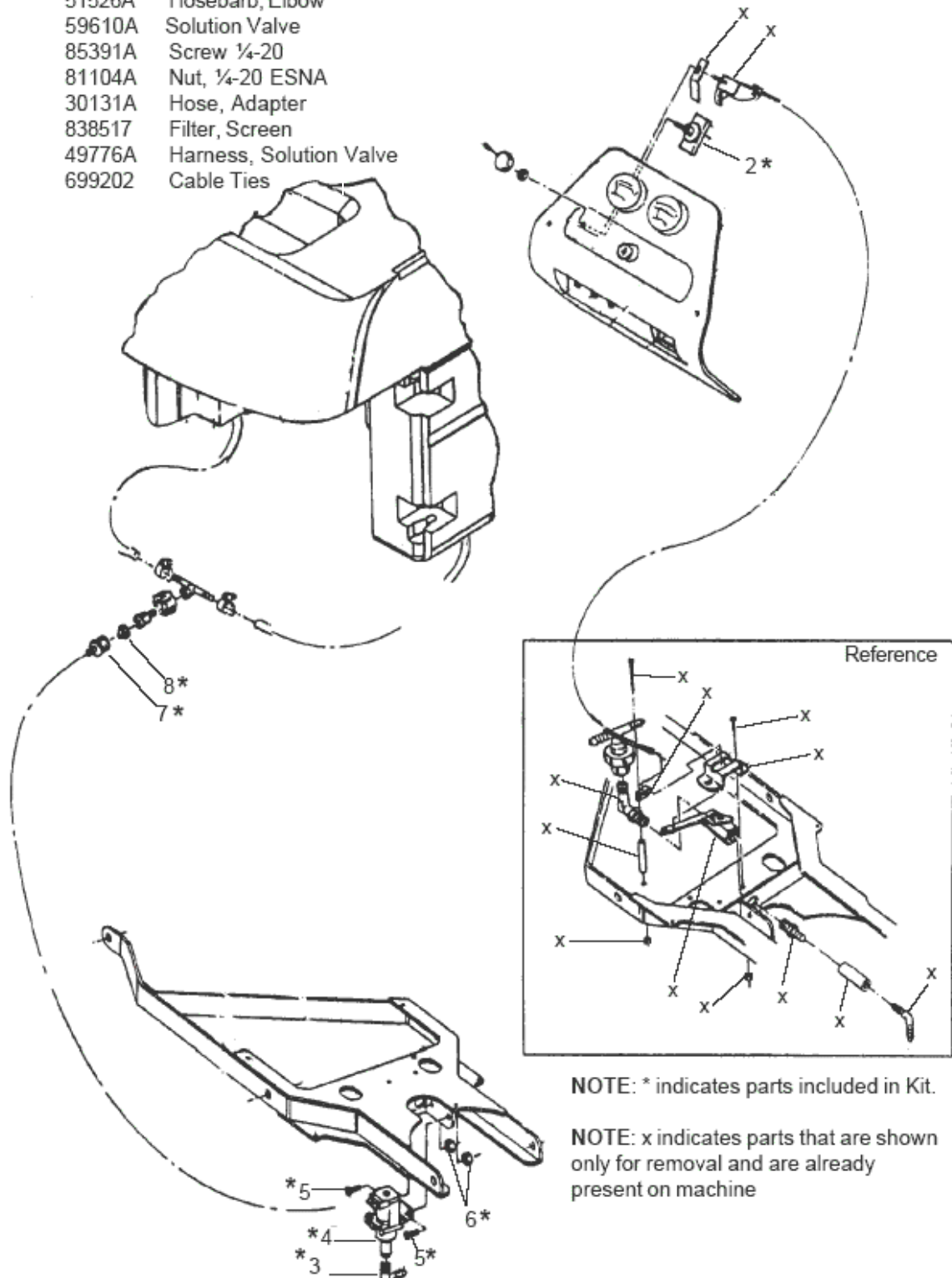
Encore S20 Drawing & Parts List

Electronic Solution Valve Kit 10669A 8/04

(this diagram is for models without Solution Shut-Off)

Parts included in Kit:

Ref #	Qty	Part No.	Description
1	1	53619A	Hosebarb, 3/8 x 1/4 NPT (for use on models w/shut-off valve only)
2	1	44308A	Solution Control Module
3	1	51526A	Hosebarb, Elbow
4	1	59610A	Solution Valve
5	2	85391A	Screw 1/4-20
6	2	81104A	Nut, 1/4-20 ESNA
7	1	30131A	Hose, Adapter
8	1	838517	Filter, Screen
NI	1	49776A	Harness, Solution Valve
NI	6	699202	Cable Ties



NOTE: * indicates parts included in Kit.

NOTE: x indicates parts that are shown only for removal and are already present on machine

Electronic solution valve kit without shut-off

ENCORE 20 S / 20 L

03-02-2013

ID Liste de pièces
ENCORE20SL16

37

Pos	Réf. Pièce	Qté	Description
1	53619A	1	ADAPTATEUR 3/8
2	44308B	1	REGULATEUR SOLUTION
3	51526A	1	DOUILLE
4	59610A	1	SOUPAPE SOLUTION 24V
5	85391A	2	VIS 1/4 20X 5/8
6	81104A	2	ECROU 1/4-20
7	30131A	1	ADAPTATEUR 3/4 M
8	838517	1	FILTRE
NI	49776A	1	HARNESSENCORE S20 ELEC. SOL.
NI	699202	6	COSSE

Electronic solution valve kit with shut-off

03-02-2013

ID Liste de pièces
ENCORE20SL17

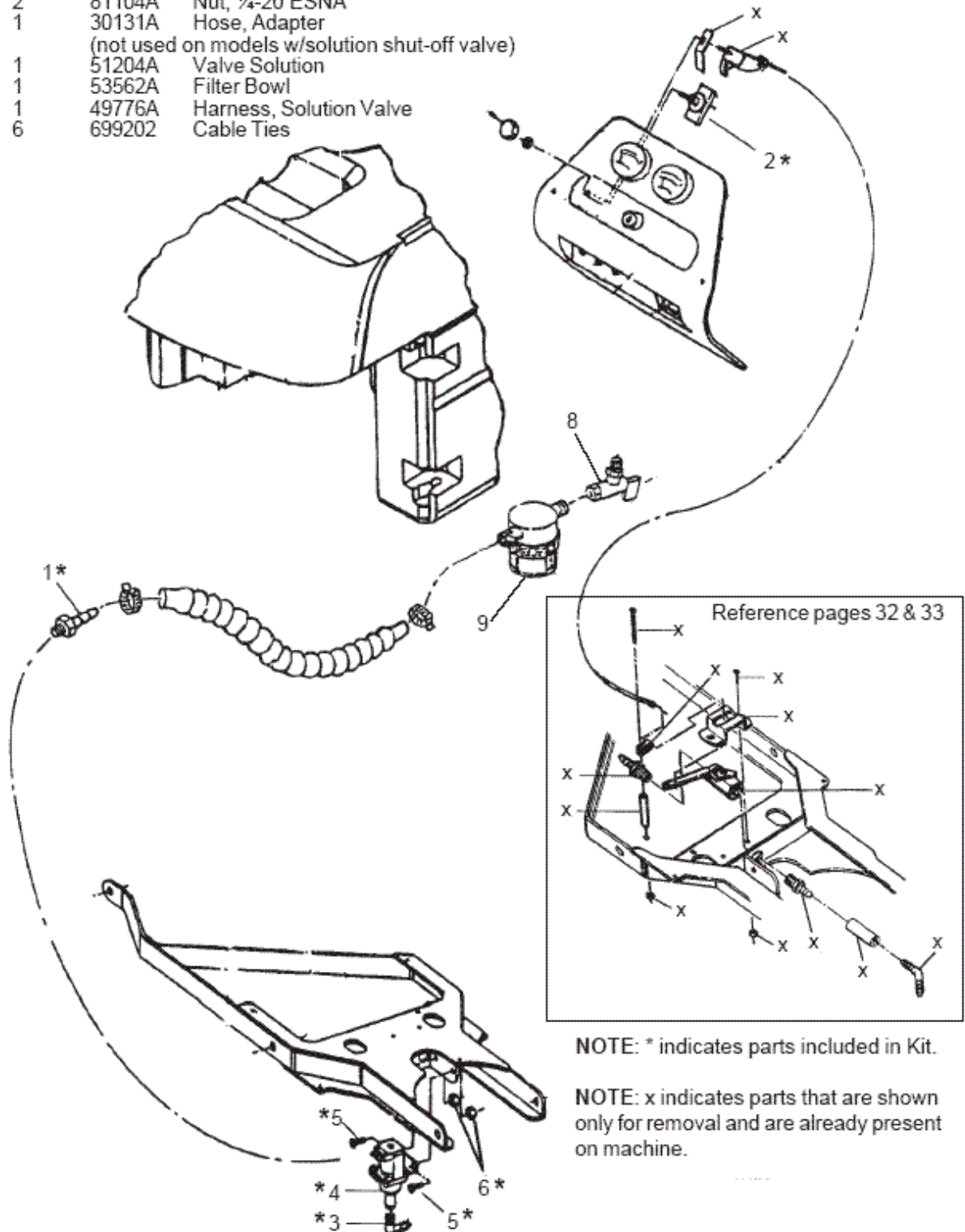
ENCORE 20 S / 20 L

38

CLARKE TECHNOLOGY
Encore S20 Drawing & Parts List
Electronic Solution Valve Kit 10669A 8/04
(this diagram is for models with Solution Shut-Off)

Parts included in Kit:

Ref #	Qty	Part No.	Description
1	1	53619A	Hosebarb, 3/8 x 1/4 NPT
2	1	44308A	Solution Control Module
3	1	51526A	Hosebarb, Elbow
4	1	59610A	Solution Valve
5	2	85391A	Screw 1/4-20
6	2	81104A	Nut, 1/4-20 ESNA
7	1	30131A	Hose, Adapter (not used on models w/solution shut-off valve)
8	1	51204A	Valve Solution
9	1	53562A	Filter Bowl
NI	1	49776A	Harness, Solution Valve
NI	6	699202	Cable Ties



Reference pages 32 & 33

NOTE: * indicates parts included in Kit.

NOTE: x indicates parts that are shown only for removal and are already present on machine.

Electronic solution valve kit with shut-off

ENCORE 20 S / 20 L

03-02-2013

ID Liste de pièces
ENCORE20SL17

39

Pos	Réf. Pièce	Qté	Description
1	53619A	1	ADAPTATEUR 3/8
2	44308B	1	REGULATEUR SOLUTION
3	51526A	1	DOUILLE
4	59610A	1	SOUPAPE SOLUTION 24V
5	85391A	2	VIS 1/4 20X 5/8
6	81104A	2	ECROU 1/4-20
7	30131A	1	ADAPTATEUR 3/4 M
8	51204A	1	VANNE PRODUIT
9	53562A	1	FILTRE
NI	49776A	1	HARNESSENCORE S20 ELEC. SOL.
NI	699202	6	COSSE

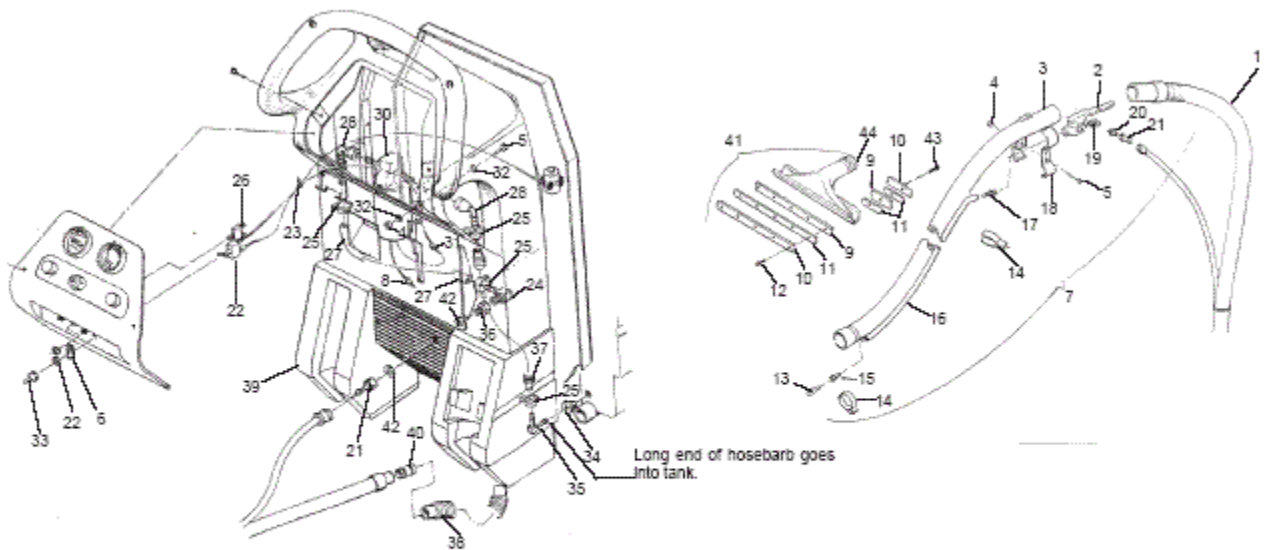
Powerwand kit 10662A

ENCORE 20 S / 20 L

03-02-2013

ID Liste de pièces
ENCORE20SL19

40



Powerwand kit 10662A

ENCORE 20 S / 20 L

03-02-2013

ID Liste de pièces
ENCORE20SL19

41

Pos	Réf. Pièce	Qté	Description
1	59232A	1	FLEXIBLE
2	699450	1	VANNE SOLUTION
3	639804	1	TUBE CHROME
4	920296	6	ECROU 10-24
6	646302	1	SWITCH PLATE
7	19518A	1	WAND ASM HARD FLOOR ONLY
9	30916A	2	BLADE SQUEEGEE 14.5
10	682012	2	CLAMP 14 SQUEEGEE 96
11	30917A	3	BLADE SQUEEGEE 15
12	84200A	5	VIS DE 8,32 X 1/2 FH ST PH
13	54149A	1	NOZZLE SPRAY VISION POWER WA
14	722195	4	CLIP HOSE 914
15	50301A	1	ADAPTOR 1/4 HOSE TO 1/8 FPT
16	30421A	1	HOSE WAND POWER WAND KIT
17	720271	1	HOSEBARB1/4H X 1/4NPT MALE
18	62426A	2	CLAMP VALVE POWER WAND KIT
19	722824	1	ELBOW 1/4 45 ST BRASS
20	697501	1	REDUCTION 1/4-1/8
21	737140	2	RACCORD RAPIDE
22	47320A	1	INTERRUPTEUR
24	53607A	1	COUDE 1/4-3/8
25	722021	4	FIXATION FLEXIBLE D4
26	41431B	1	CONTACTEUR 35A
28	692870	2	ELBOW SWIVEL BARB 937A
30	45937A	1	PUMP 24V 21I/V
31	911933	1	CONNECTEUR MALE
32	980643	8	RONDELLE
33	751321	1	BOOTTOGGLE SWITCH 1/2
34	51518A	1	TUBE
35	51526A	1	DOUILLE
36	727595	1	REDUCER BRASS RINSE WAND 1/4FP
37	35138A	1	CABLE
40	682408	1	PULVERISATION+ASPIRATION
41	638828	1	SUCEUR 14 INCH
42	980673	2	RONDELLE 1/2
43	962122	5	SCR 8 32 X 5/8 FT HD
44	639002	1	TUBE ADAPTOR
NI	699202	12	COSSE

#41 includes- #s 9-12, 29, 43

Brush & Hour Meter kit

ENCORE 20 S / 20 L

03-02-2013

ID Liste de pièces
ENCORE20SL20

42

CLARKETECHNOLOGY
Encore S20 Parts List
Brush Meter Kit 10667A

Parts included in Kit:

1	40218A	Brush Meter
1	79045A	Instruction Sheet
1	49775A	Brush Meter Harness
1	699202	Cable Ties

CLARKETECHNOLOGY
Encore S20 Parts List
Hour Meter Kit 10656A

Kit includes:

<u>Part No.</u>	<u>Description</u>	<u>Qty.</u>
43202A	Harness, Hour Meter	1
912226	Meter, Hour	1

Brush & Hour Meter kit

ENCORE 20 S / 20 L

03-02-2013

ID Liste de pièces
ENCORE20SL20

43

Pos	Réf. Pièce	Qté	Description
1	40218A	1	INDICATEUR DE BROSSE
4	699202	1	COSSE
11	912226	1	COMPTEUR HORAIRE 12V DC

Rear panel for machines with 41150B Traverse c

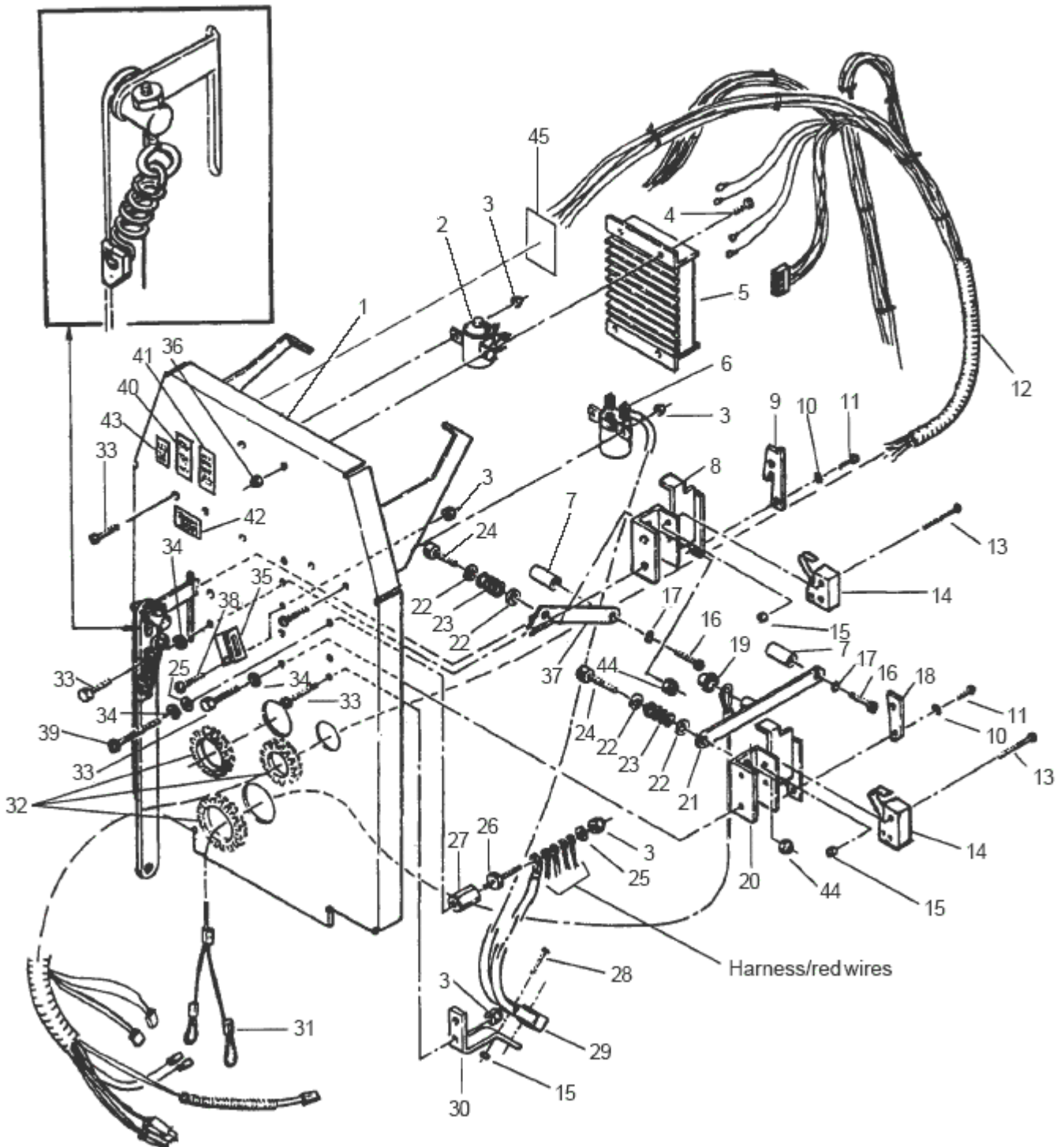
ENCORE 20 S / 20 L

03-02-2013

ID Liste de pièces
ENCORE20SL21

44

CLARKE TECHNOLOGY
Encore S20/L20
Rear Panel Assembly Drawing 11/01
(for machines with a 41150B traverse controller)



Rear panel for machines with 41150B Traverse c

ENCORE 20 S / 20 L

03-02-2013

ID Liste de pièces
ENCORE20SL21

45

Pos	Réf. Pièce	Qté	Description	
1	66228A	1	PLATEBACK ENCORE 20BT	
2	878514	1	BOBINE 24V	
3	81104A	9	ECROU 1/4-20	
4	962798	4	VIS 10-24X1/2	FOR L20 ONLY
5	41150B	1	REGULATEUR VITESSE	FOR L20 ONLY
6	56412179	1	RELAIS 24 V	
7	64490A	2	LEVIER BROSSE	
8	68789A	1	TOLE SUPPORT	
9	64231A	1	PLAQUETTE	
10	980603	4	RONDELLE	
11	962546	4	VIS 10.24 1/2	
12	49765A	1	FAISCEAU	FOR L20 ONLY
12	49766B	1	HARNESS WIRING ENCORE S 20	FOR S20 ONLY
13	85601A	4	VIS 6 32 1/4	
14	47388A	2	INTERRUPTEUR ASPIRATION	
15	920056	6	ECROU 6X32	
16	85389A	2	VIS 3/8	
17	980666	2	RONDELLE 3/8	
18	68643A	1	PLAQUE	
19	920346	1	ECROU	
20	61260A	1	CHASSIS RACLETTE PEINT	
21	64901A	1	POIGNEE MONTEE RACLETTE	
22	980692	4	RONDELLE 5/16	
23	438360	2	RESSORT	
24	80028A	2	VIS 5/48 18X1	
25	87026A	2	RONDELLE 250	
26	83302A	1	STUD 1/4 20	
27	854849	1	ISOLANT	
28	962212	2	SCR 6 32X 7/8 PN ST	
29	41146A	1	CONNECTEUR BATTERIE	
30	60676A	1	BRKT POWER CON.PLTD 32 AUTO	
31	61677A	1	CABLE LEVEE SUCEUR	
33	170915	10	VIS 1/4	
34	980657	5	RONDELLE .LK 1/4 STD	
35	69858A	1	SUPPORT LEVIER DE CUVE	
36	81110A	4	ECROU 10 24 S.S	FOR L20 ONLY
37	64498A	1	LEVIER	
38	85391A	2	VIS 1/4 20X 5/8	
39	85395A	1	ECROU 1/4-20X1/2	
40	71014A	1	LABEL FALLING PARTS	
41	71015A	1	ADHESIF CHARGEUR EMBARQUE	
42	70302A	1	LABEL BATTERY INSTALLENCORE20	
44	81217A	2	ECROU 1/4-20X 218	

Electrical cover assembly for Machines with 411

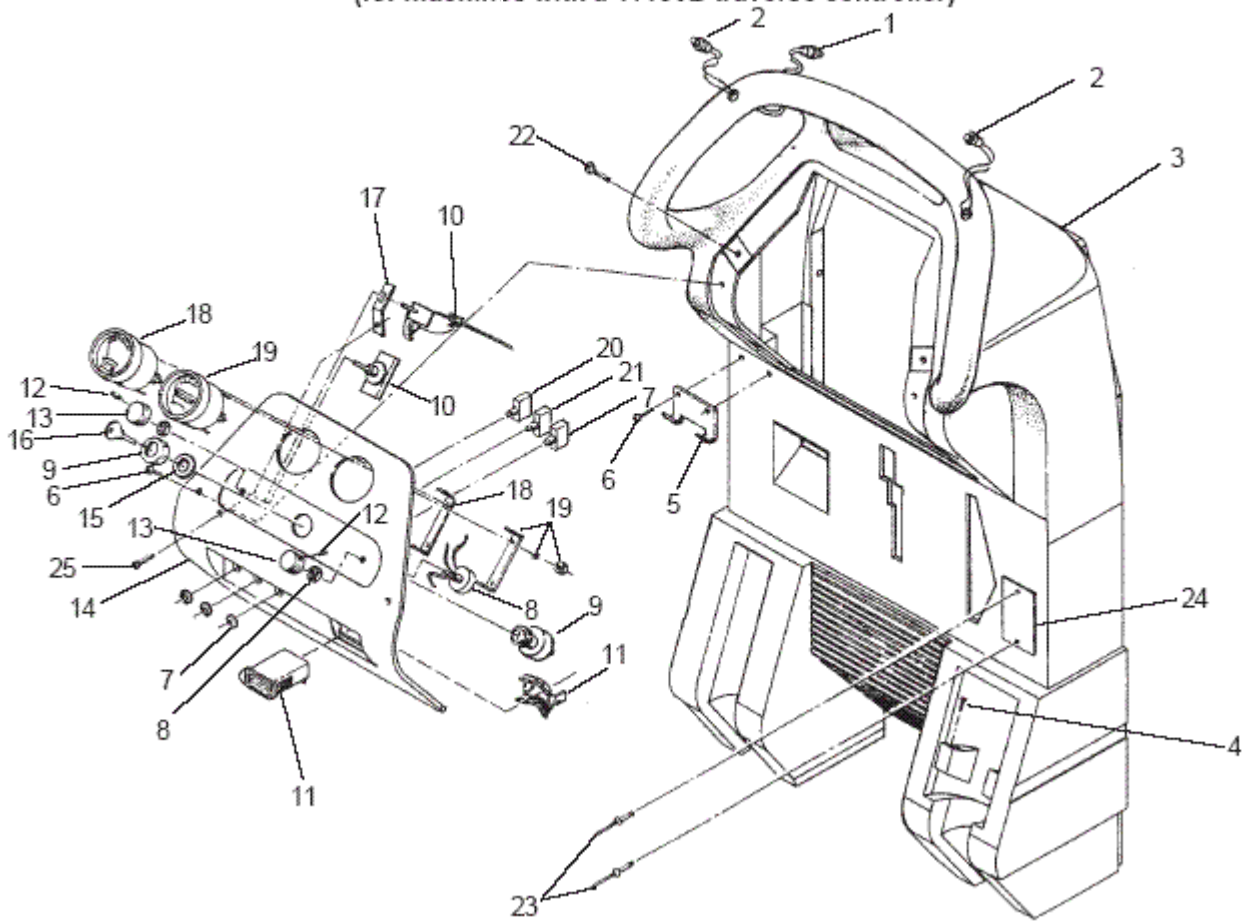
ENCORE 20 S / 20 L

03-02-2013

ID Liste de pièces
ENCORE20SL22

46

CLARKE TECHNOLOGY Encore S20/L20
Electrical Cover Assembly Drawing and Parts List 6/01
(for machines with a 41150B traverse controller)



Electrical cover assembly for Machines with 411

ENCORE 20 S / 20 L

03-02-2013

ID Liste de pièces
ENCORE20SLZ2

47

Pos	Réf. Pièce	Qté	Description	
1	53078B	1	BOUTON INTERRUPTEUR	FOR L20 ONLY
2	53077B	2	BOUTON INTERRUPTEUR	FOR L20 ONLY
3	32406B	1	COVERREAR BLUE ENCORE 20S	
3	32415B	1	CAPOT ENCORE L20	FOR L20 ONLY
4	962957	2	VIS 10-16X1/2	
5	66987A	1	RETAINER HOSE HANGER ENCORE 20	
6	84237A	4	VIS 10X32 1/2	
7	41433B	1	RELAIS THERMIQUE 40A	
8	45702A	1	POTENTIOMETER 5K	FOR L20 ONLY
9	47380A	1	INTERRUPTEUR	
10	11703A	1	CABLE	FOR S20 ONLY
10	44308B	1	REGULATEUR SOLUTION	FOR L20 ONLY
11	912226	1	COMPTEUR HORAIRE 12V DC	FOR L20 ONLY
12	962262	2	VIS 8-32X 1/4	
13	55502A	2	BOUTON MOLLETE	
14	32405A	1	COUVERCLE	FOR L20 ONLY
14	32413A	1	COVERREAR PANEL ENCORE S20	FOR S20 ONLY
15	87052A	1	RONDELLE PLATE	
16	55413A	2	CLE DE CONTACT	
17	66988A	1	CLIP MAINTIEN	FOR S20 ONLY
18	40217B	1	INDICATEUR NIVEAU	
19	40218A	1	INDICATEUR DE BROSSE	FOR L20 ONLY
20	41422B	1	DISJONTEUR 25A	FOR L20 ONLY
21	41448B	1	DISJONCTEUR 30A	
22	85518A	2	VIS 1/4-20X3/4	
23	83010A	2	RIVET 1/8	
24	70080A	1	PLAQUE NO SERIE	
24	71018A	1	PLATE WARNING	
25	85388A	1	SCREW 10 24 X 1/2 PAN TYP F	FOR S20 ONLY
NI	41069B	1	RELAIS 24V MINI ISO	FOR L20 ONLY
NI	47708A	6	CONNECTEUR MALE	FOR L20 ONLY

Rear panel for machines with 41150C Traverse c

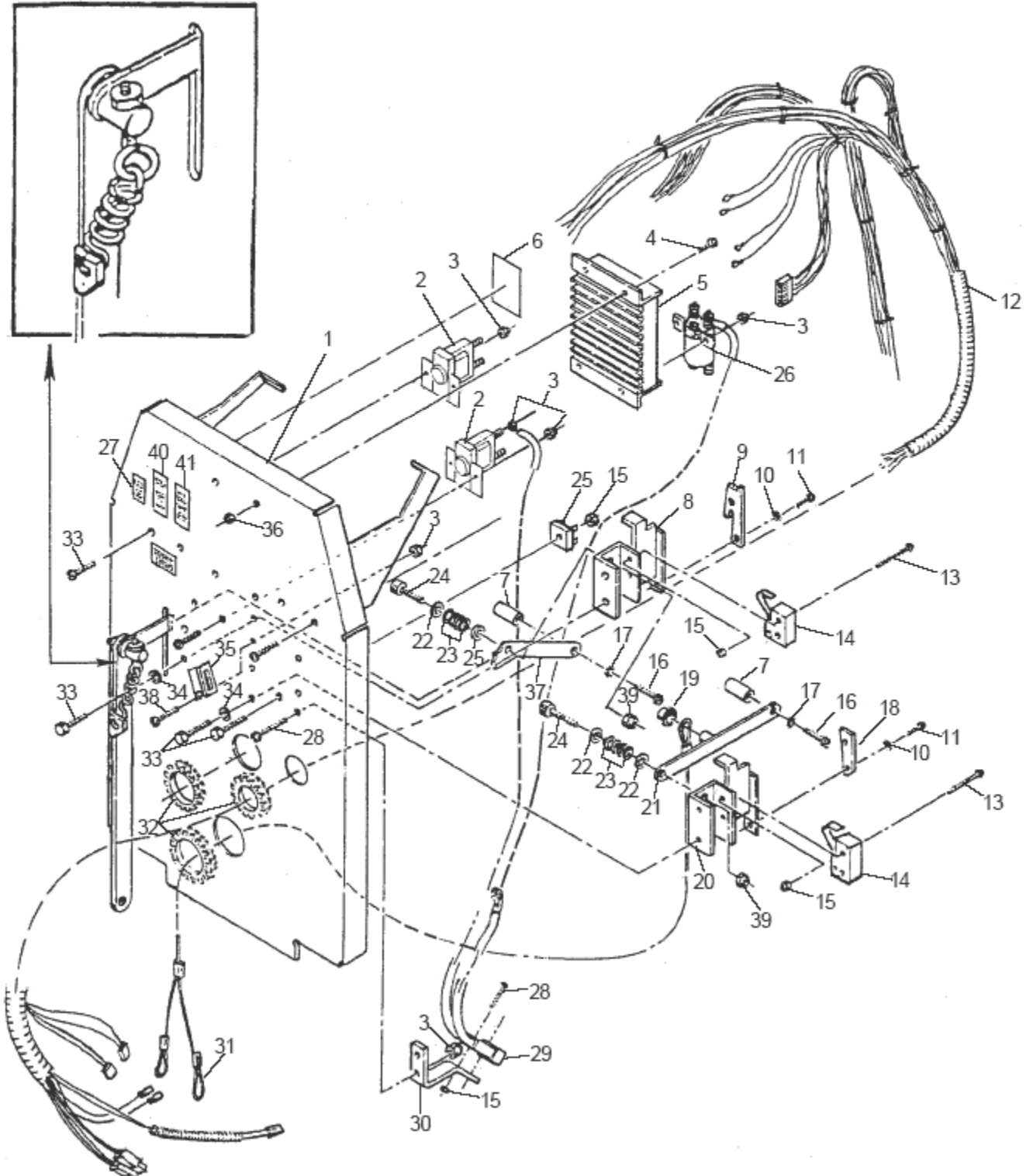
ENCORE 20 S / 20 L

03-02-2013

ID Liste de pièces
ENCORE20SL23

48

CLARKTECHNOLOGY
Encore L20
Rear Panel Assembly Drawing 2/03
(for machines with a 41150C traverse controller)



Rear panel for machines with 41150C Traverse c

ENCORE 20 S / 20 L

03-02-2013

ID Liste de pièces
ENCORE20SLZ3

49

Pos	Réf. Pièce	Qté	Description
1	66228A	1	PLATEBACK ENCORE 20BT
2	40169A	2	RELAIS
3	81104A	10	ECROU 1/4-20
4	962798	4	VIS 10-24X1/2
5	41150E	1	VARIATEUR EL 20NM
7	64490A	2	LEVIER BROSSE
8	68789A	1	TOLE SUPPORT
9	64231A	1	PLAQUETTE
10	980603	4	RONDELLE
11	962546	4	VIS 10.24 1/2
12	49765B	1	HARNESS MAIN ENCORE L20
13	85601A	4	VIS 6 32 1/4
14	47388A	2	INTERRUPTEUR ASPIRATION
15	920056	7	ECROU 6X32
16	85389A	2	VIS 3/8
17	980666	2	RONDELLE 3/8
18	68643A	1	PLAQUE
19	920346	1	ECROU
20	61260A	1	CHASSIS RACLETTE PEINT
21	64901A	1	POIGNEE MONTEE RACLETTE
22	980692	4	RONDELLE 5/16
23	438360	2	RESSORT
24	80028A	2	VIS 5/48 18X1
25	46106A	1	REDRESSEUR
26	41811A	1	CONTACTEUR 24V DC
28	962212	3	SCR 6 32X 7/8 PN ST
29	41146A	1	CONNECTEUR BATTERIE
30	60676A	1	BRKT POWER CON.PLTD 32 AUTO
31	61677A	1	CABLE LEVEE SUCEUR
33	170915	11	VIS 1/4
34	980657	4	RONDELLE .LK 1/4 STD
35	69858A	1	SUPPORT LEVIER DE CUVE
36	81110A	4	ECROU 10 24 S.S
37	64498A	1	LEVIER
38	85391A	2	VIS 1/4 20X 5/8
39	81217A	2	ECROU 1/4-20X 218
40	71014A	1	LABEL FALLING PARTS
41	71015A	1	ADHESIF CHARGEUR EMBARQUE
42	70302A	1	LABEL BATTERY INSTALLENCORE20

Electrical cover assembly for Machines with 411

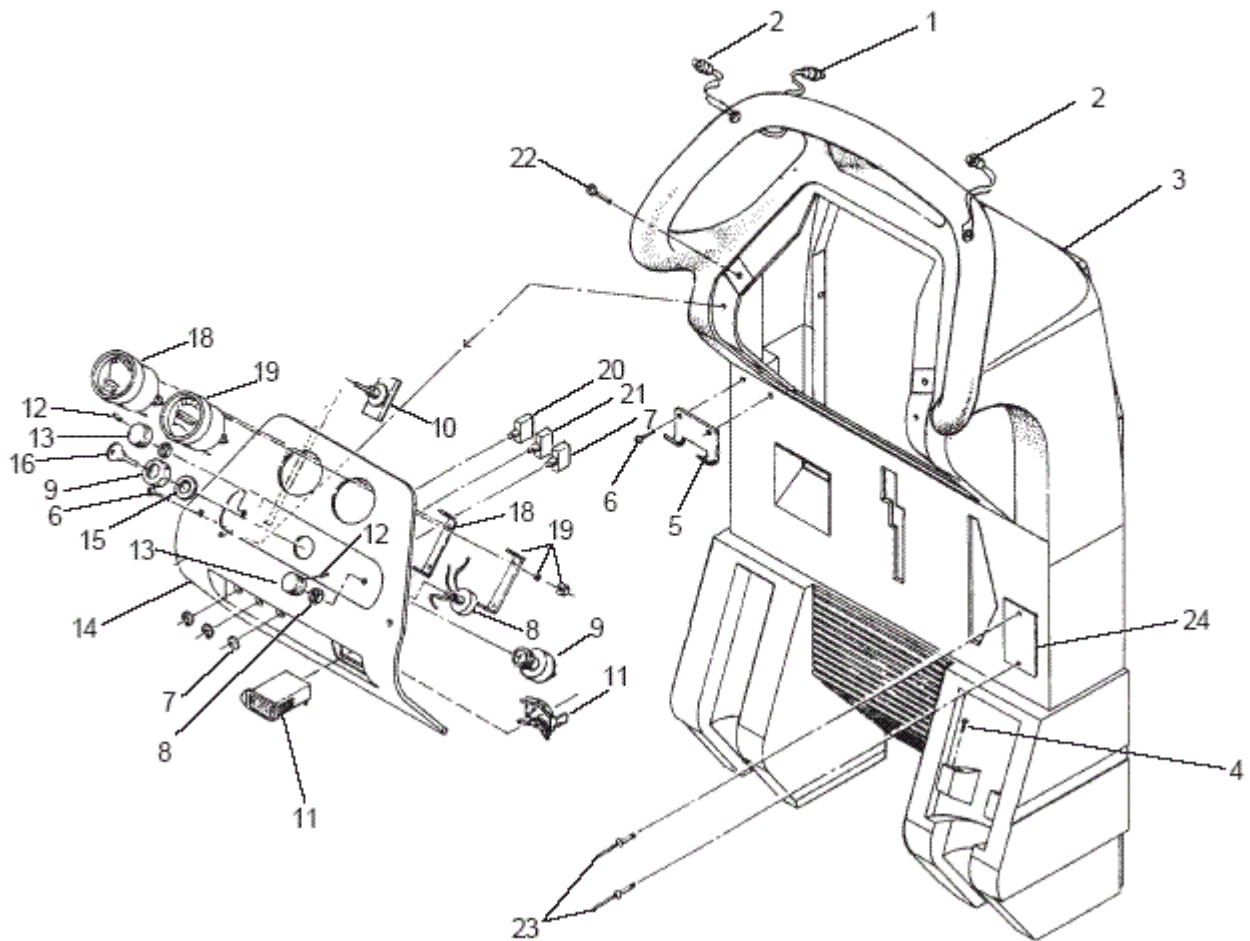
ENCORE 20 S / 20 L

03-02-2013

ID Liste de pièces
ENCORE20SL24

50

CLARKE TECHNOLOGY Encore S20/L20
Electrical Cover Assembly Drawing and Parts List 2/03
(for machines with a 41150C traverse controller)



Electrical cover assembly for Machines with 411

ENCORE 20 S / 20 L

03-02-2013

ID Liste de pièces
ENCORE20SL24

51

Pos	Réf. Pièce	Qté	Description
1	40158A	1	INTERRUPTEUR MARCHE
2	53077B	2	BOUTON INTERRUPTEUR
3	32415B	1	CAPOT ENCORE L20
4	962957	2	VIS 10-16X1/2
5	66987A	1	RETAINER HOSE HANGER ENCORE 20
6	84237A	4	VIS 10X32 1/2
7	41433B	1	RELAIS THERMIQUE 40A
8	45702A	1	POTENTIOMETER 5K
9	47380A	1	INTERRUPTEUR
10	44308B	1	REGULATEUR SOLUTION
11	912226	1	COMPTEUR HORAIRE 12V DC
12	962262	2	VIS 8-32X 1/4
13	55502A	2	BOUTON MOLLETE
14	32405A	1	COUVERCLE
15	87052A	1	RONDELLE PLATE
16	55413A	2	CLE DE CONTACT
18	40217B	1	INDICATEUR NIVEAU
19	40218A	1	INDICATEUR DE BROSSE
20	41422B	1	DISJONTEUR 25A
21	41448B	1	DISJONCTEUR 30A
22	85518A	2	VIS 1/4-20X3/4
23	83010A	2	RIVET 1/8
24	70080A	1	PLAQUE NO SERIE
NI	41069B	1	RELAIS 24V MINI ISO
NI	47708A	6	CONNECTEUR MALE

Optional Brake

ENCORE 20 S / 20 L

03-02-2013

ID Liste de pièces
ENCORE20SL25

53

Pos	Réf. Pièce	Qté	Description
1	85389A	1	VIS 3/8
2	980666	1	RONDELLE 3/8
3	64490A	1	LEVIER BROSSE
4	65627A	1	LEVIER FREIN
5	980651	4	AXE
6	85814A	2	VIS 5/16-18
7	836711	2	ENTRETOISE
8	67161A	1	TRINGLE LEVIER DE FREIN
9	81104A	2	ECROU 1/4-20
10	87026A	1	RONDELLE 250
11	848508	1	RACCORD
12	920110	4	ECROU 5/16-18
13	848302	1	RESSORT
14	81105A	1	ECROU FREIN 3/8-16
15	85811A	1	VIS 5/16-18
16	66212A	1	FOURCHE
17	60451A	1	BRAS FREIN
18	87607A	1	RONDELLE PLATE
19	67877A	2	SPACERBRAKE 32DLX/26DLX
20	980673	2	RONDELLE 1/2

ESP system

ENCORE 20 S / 20 L

03-02-2013

ID Liste de pièces
ENCORE20SL26

54

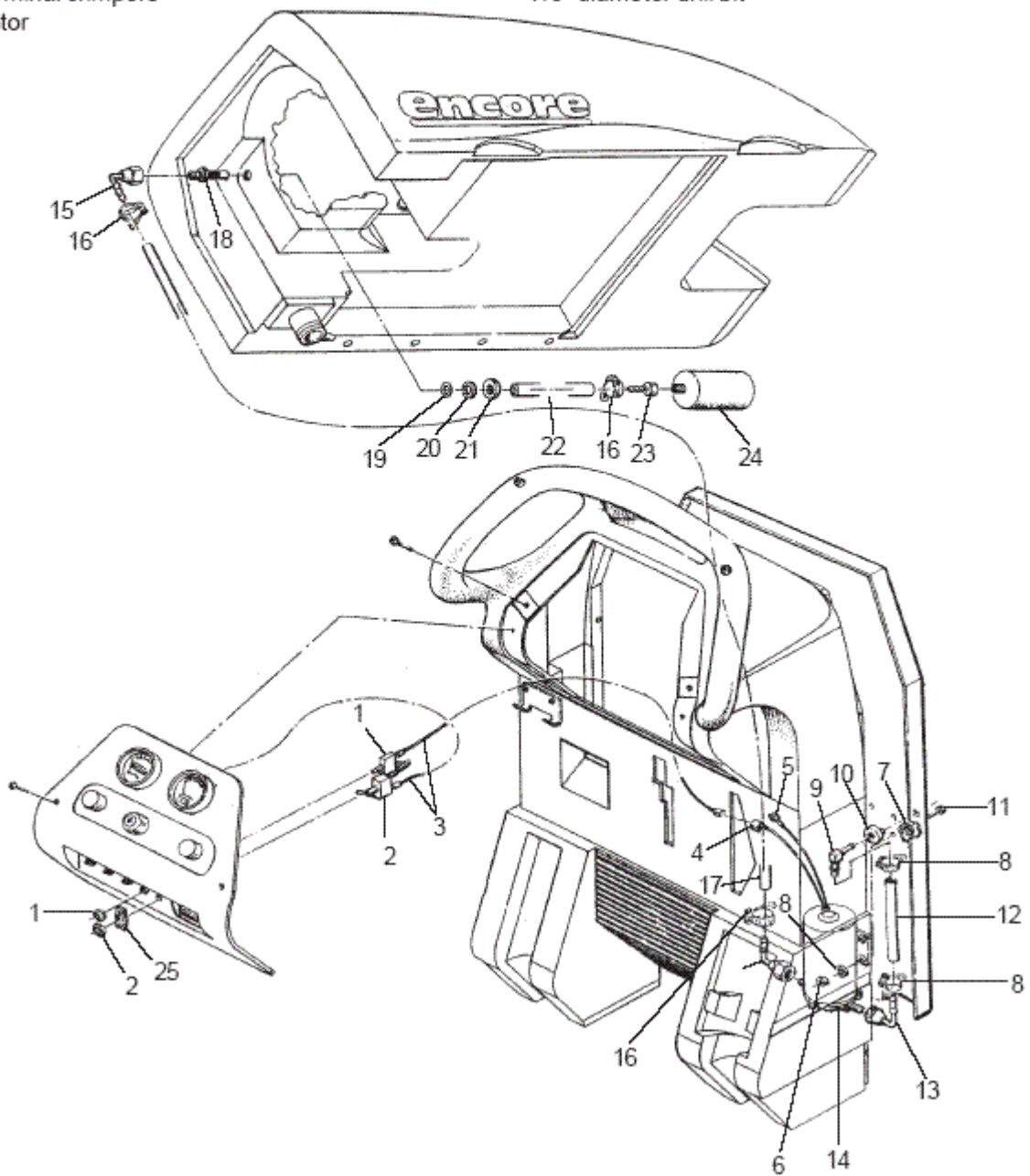
CLARKETECHNOLOGY

Encore S20/L20 Drawing & Parts List ESP Recycle System Kit 10663A 6/01

Tools Needed:

Adjustable wrench
Short or right angle Phillips® screwdriver
Wire strippers
Wire terminal crimpers
Drill motor

3/8" diameter drill bit
7/16" diameter drill bit
15/32" diameter drill bit
7/8" diameter drill bit



ESP system

ENCORE 20 S / 20 L

03-02-2013

ID Liste de pièces
ENCORE20SL26

55

Pos	Réf. Pièce	Qté	Description
1	41418B	1	BREAKER CIRCUIT 10 AMP 1700/2
2	47320A	1	INTERRUPTEUR
4	47905A	1	TERM. 25 FI MQC 14/16G
5	911933	1	CONNECTEUR MALE
6	920296	4	ECROU 10-24
7	980643	8	RONDELLE
8	722021	2	FIXATION FLEXIBLE D4
9	51526A	1	DOUILLE
10	51518A	1	TUBE
12	30172A	1	TUBE D'EAU FRAICHE 16 1
13	692870	1	ELBOW SWIVEL BARB 937A
14	45937A	1	PUMP 24V 21l/V
15	56261246	2	COUDE
16	722030	3	RACCORD
18	50342A	1	ADAPTOR REC. TANK RECYCLE KI
20	980019	1	RONDELLE
21	920802	1	ECROU RESERVOIR
22	30452A	1	HOSECLEAR VINYL ENCORE 20
24	53997A	1	FILTER REC. TANK VISION 26/
25	646302	1	SWITCH PLATE
NI	699202	12	COSSE

Squeegee Assembly OLD VERSION

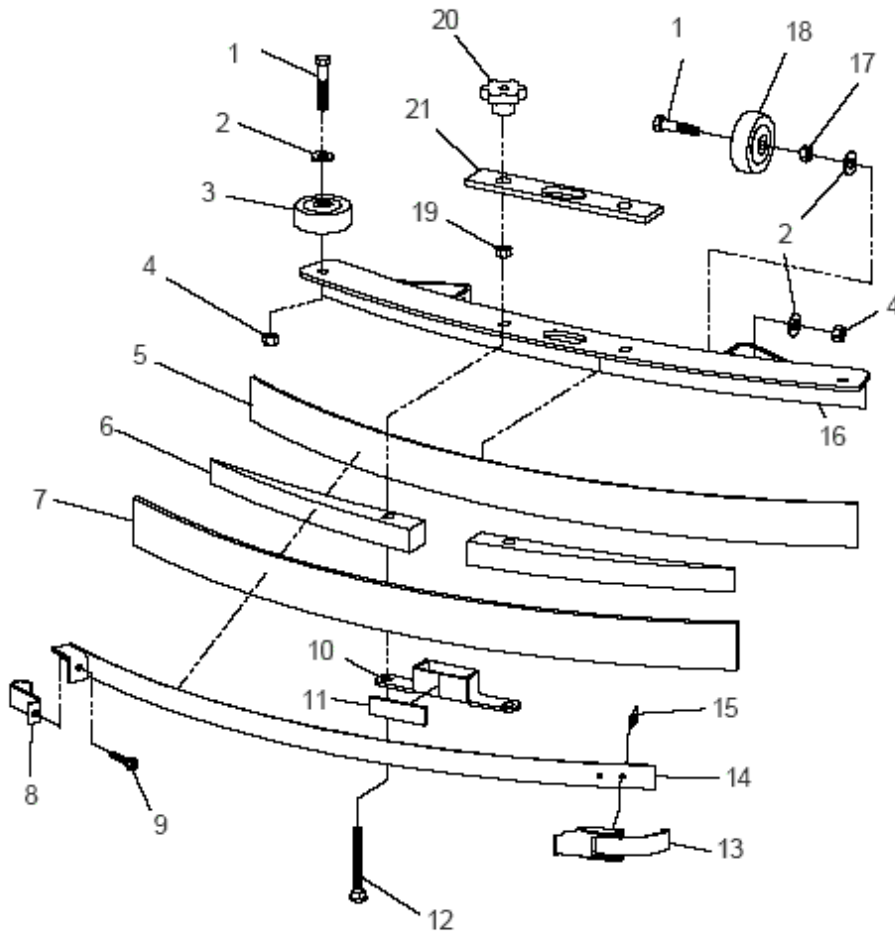
ENCORE 20 S / 20 L

03-02-2013

ID Liste de pièces
ENCORE20SL41

56

CLARKE TECHNOLOGY Encore S20/L20
Squeegee Assembly Drawing and Parts List 12/06
29" Asm. - 18820A (Optional)
33" Asm. - 18821A (discontinued, use 10129A)



Ref #	Part No.	Description	29"	33"
1	962522	Screw, 3/8-16 x 2" Hex	4	4
2	980687	Washer, 15/32 I.D. x 15/16 O.D.	6	6
3	59950A	Wheel, Guide	2	2
4	81111A	Nut, 3/8-16 ESNA	4	4
5	30950A	Blade, Ribbed, Urethane	-	1
◆	30763L1	Blade, Front, Linatex	1	-
6	38713A	Spacer, 29"	2	-
	38719A	Spacer, 33"	-	2
7◆	30931L	Blade, Outer, Linatex	1	-
	30946A	Blade, Rubber, Outer	-	1
8	62421A	Clamp, End	1	1
9	86004A	Screw, 1/4-20 x 1 1/2 Hex	1	1
10	62712A	Duct, Squeegee Inlet	1	1
11	37016A	Pad, Squeegee Grip	1	1
12	80011A	Screw, 3/8-16 x 3 CR S.S.	2	2
13	55722A	Latch, Squeegee Strap	1	1
14	62441A	Clamp, Squeegee 29"	1	-
	62445A	Clamp, Squeegee 33"	-	1
15	170932	Rivet, Pop 3.16 S.S. 1/8"	2	2
16	69059A	Squeegee Weldment 29"	1	-
	69672A	Squeegee Weldment 33"	-	1
17	81207A	Nut, 3/8-16 S.S.	2	2
18	419702	Wheel	2	2
19	81301A	Nut, 3/8-16 Jam S. S.	2	2
20	25201A	Knob	Ref	Ref
21	34260B	Gasket	Ref	Ref

Optional:

NI	30938A	Nitrile 29" Outer Blade
NI	30949A	Nitrile 33" Outer Blade
NI	30930A	Rubber 29" Inner Blade
NI	30947A	Rubber 33" Inner Blade

NOTE:

When changing blades loosen nuts #19. Clamp blades on squeegee. Retighten #19 nuts. This will allow spacer #6 to readjust to different blade thickness.

NOTE:◆ indicates a change has been made since the last publication of this manual.

Squeegee Assembly OLD VERSION

ENCORE 20 S / 20 L

03-02-2013

ID Liste de pièces
ENCORE20SL41

57

Pos	Réf. Pièce	Qté	Description
1	962522	4	VIS
2	980687	6	RONDELLE 15/32
3	59950A	2	GUIDE DE ROUE
4	81111A	4	ECROU
5	30950A	1	RACLETTE INTERIEURE FOR 33" SQUEEGEE
6	38713A	2	ENTRETOISE RACLETTE FOR 29" SQUEEGEE
7	30931L	1	BLADESQ. LINATEX 28.12 FOR 29" SQUEEGEE
7	30946A	1	RACLETTE SUCEUR FOR 33" SQUEEGEE
8	62421A	1	ATTACHE/COLLIER/FIXATION
9	86004A	1	VIS 1/4-20X1 1/2
10	62712A	1	ATTACHE BAVETTE
11	37016A	1	RACLETTE CAOUTCHOUC
12	80011A	2	VIS 3/8 -16X3
13	55722A	1	LOQUET
14	62441A	1	BARETTE DE SUCEUR
14	62445A	1	ATTACHE/COLLIER/FIXATION
15	170932	2	RIVET
17	81207A	2	ECROU
18	419702	2	ROUE DE RACLETTE
19	81301A	2	ECROU 3/8 M
20	25201B	1	ECROU
21	34260B	1	JOINT DE RACLETTE
NI	30930A	1	RACLETTE INTERIEURE OPTIONAL FOR 29" SQUEEGEE
NI	30938A	1	RACLETTE EXTERIEURE OPTIONAL FOR 29" SQUEEGEE
NI	30947A	1	RACLETTE SUCEUR OPTIONAL FOR 33" SQUEEGEE
NI	30949A	1	RACLETTE OPTIONAL FOR 33" SQUEEGEE