

SCRUBTEC 743 S/L, 751 S/L, 743 S/L C

Model:

SCRUBTEC 743L
SCRUBTEC 743LC
SCRUBTEC 743S
SCRUBTEC 743SC
SCRUBTEC 751L
SCRUBTEC 751S



Part List English

20-02-2013

Table of Contents

SCRUBTEC 743 S/L, 751 S/L, 743 S/L C

Final assembly	3
Recovery tank	5
Solution tank & front cover	7
Electrical assembly	10
Control housing	13
Squeegee lift	15
32" squeegee	17
Frame	19
Cylindrical head	21
Rotary disk head	24
Gearbox	26
Brush motor	28
Transaxle	30
Accessories	32
Electrical assembly	34
Connection diagram	37
Connection diagram	39
Connection diagram	41
Electriccal schematic	43
Connection diagram	45
Electrical schematic	47

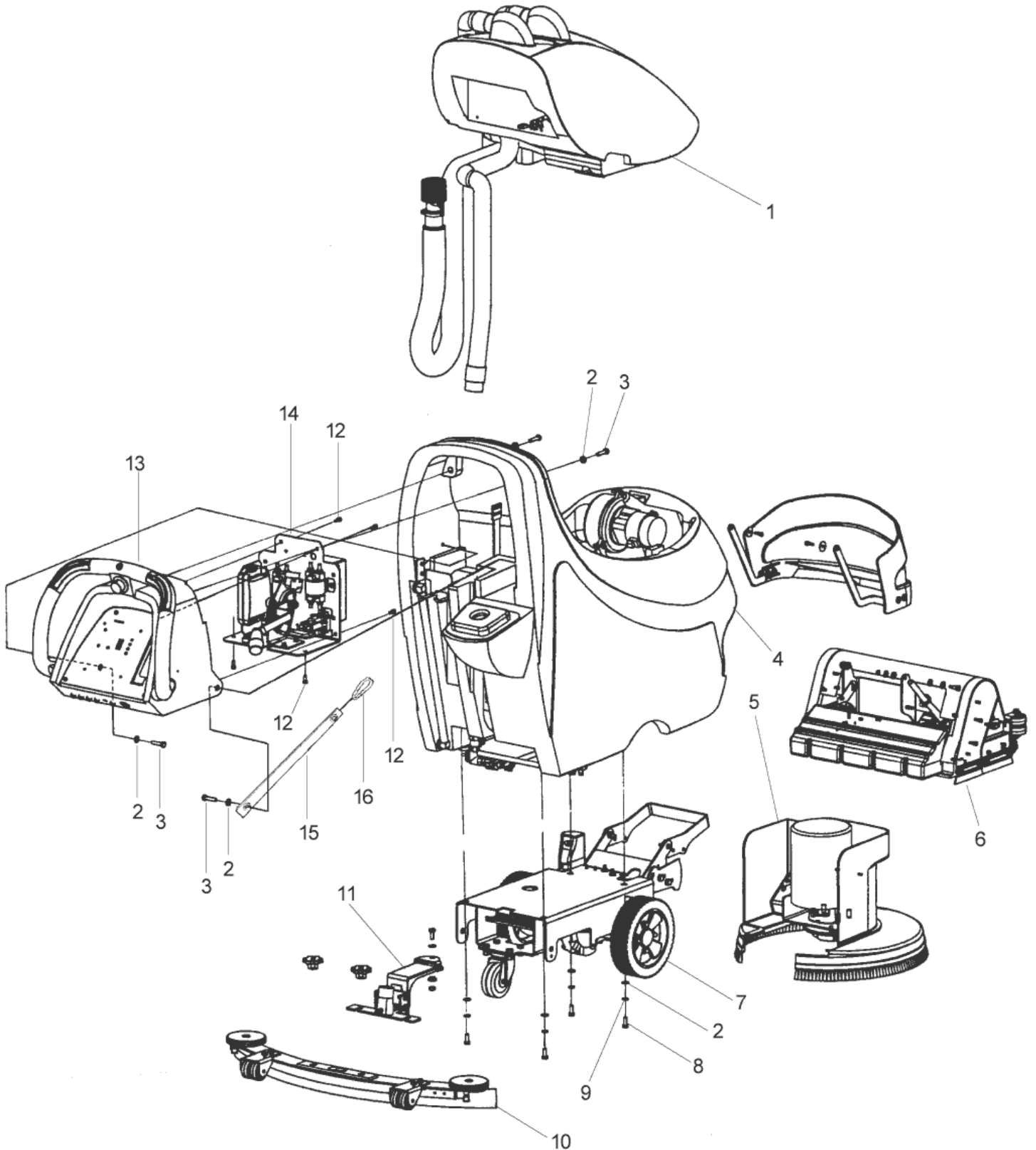
Final assembly

SCRUBTEC 743 S/L, 751 S/L, 743 S/L C

20-02-2013

Part List ID
SCRUBTEC74302

3



Final assembly

SCRUBTEC 743 S/L, 751 S/L, 743 S/L C

20-02-2013

Part List ID
SCRUBTEC/74302

4

Pos	Part no.	Qty	Description	
1		1	USE LINK	Recovery tank
2	980651	8	WASHER. 5/16 SAE FLAT	
3	80212A	4	SCREW M8 1.25X35MM HEX HD.SS	
4		1	USE LINK	Solution tank
5		1	USE LINK	Rotary disk head
6		1	USE LINK	Cyl. head
7		1	USE LINK	Frame
8	80197A	4	SCREW, M8-1.25 X 20MM	
9	980652	4	WASHER.LK 5/16 REG(PLTD)	
10		1	USE LINK	Squeegee
11		1	USE LINK	Squeegee lift
12	6878	6	LENS HEAD COUNTER SCREW	
13		1	USE LINK	Control housing
14		1	USE LINK	Electrical assembly
15	30334A	1	TETHER ENCORE 17	
16	52570A	1	TETHER CLIP ENCORE 17	
NI		2	BATTERY 12V GEL 100AH SG 90LTH	
NI		2	BATTERY 12V 130 AH DRY	
NI		2	BATTERY 12V 130 AH WET	
NI	41206A	1	CABLE-SERIES.BATTERY.16in	
NI	41217A	1	CABLE BATTERY KIT 14662B	
NI	61337A	2	ADAPTERBATTERY	

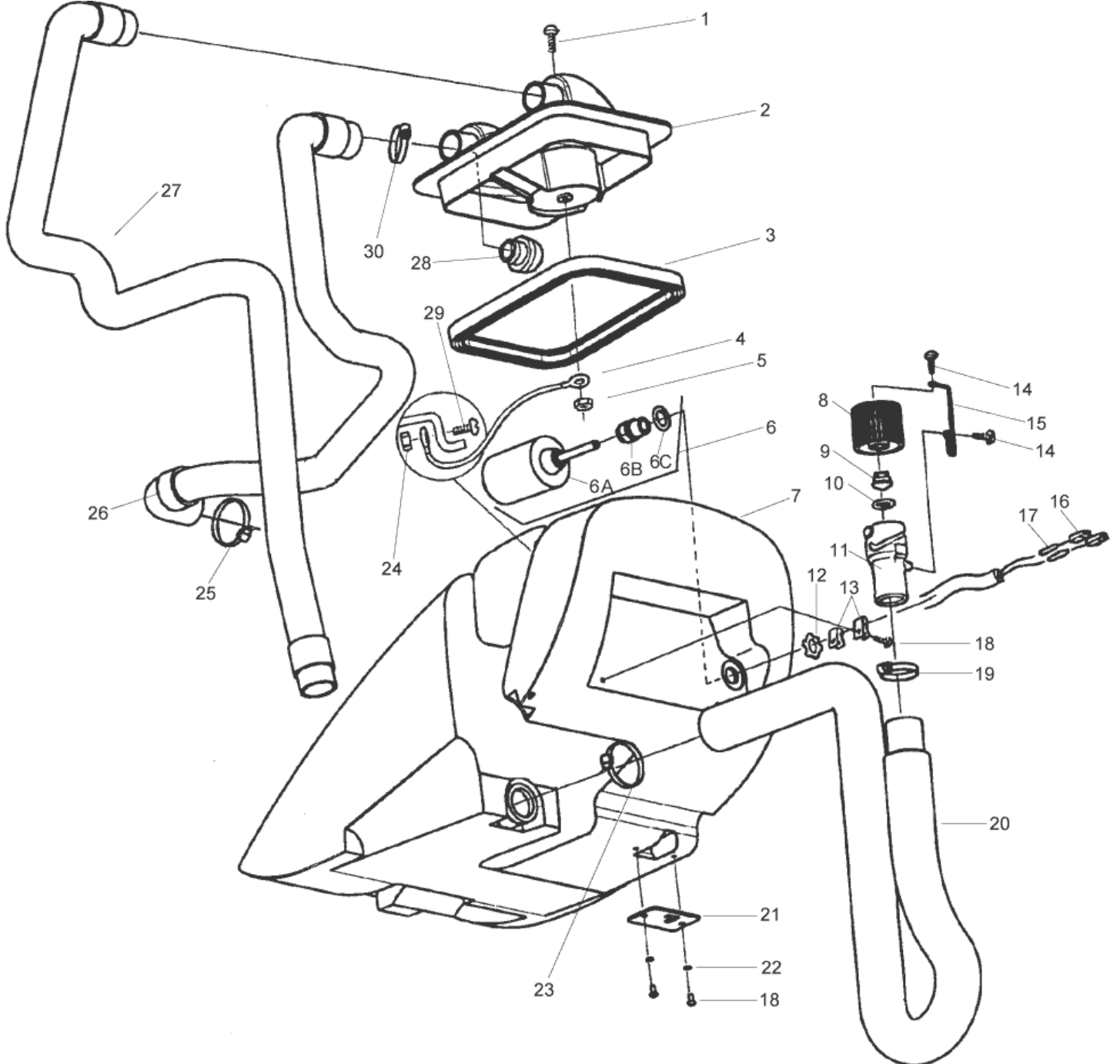
Recovery tank

SCRUBTEC 743 S/L, 751 S/L, 743 S/L C

20-02-2013

Part List ID
SCRUBTEC74304

5



Recovery tank

SCRUBTEC 743 S/L, 751 S/L, 743 S/L C

20-02-2013

Part List ID
SCRUBTEC/74304

6

Pos	Part no.	Qty	Description
1	80176A	1	SCREW M5-0.8 X 12MM PPHD SS
2	30207A	1	RECOVERY LID ENCORE 17
3	30065B	1	GASKET VACUUM LID 32"
4	692409	1	CHAIN-COVER 925A
5	80196A	1	NUT, M5-0.8 HEX NYLON INS
6	10660A	1	KIT.FLOAT.ASSM ENCORE 20
7	30218A	1	TANK RECOVERY
8	30227A	1	DRAIN VALVE HOUSING ENCOR E 17
9	30226A	1	DRAIN VALVE PLUG ENCORE 1 7
10	52560A	1	O-RING
11	30225A	1	DRAIN VALVE BODY ENCORE 1 7
12	82100A	1	LOCKNUT 1/2in CONDUIT
13	872102	2	NYLON CLIP- 5/16 OD
14	962957	2	SCR 10-16X 1/2 PN*ST HI
15	52206A	1	CHAIN. COVER AUTOSCRUBER
16	43402A	2	HOUSING. CONNECTOR (BLU)
17	41809A	2	CONTACT. CONNECTOR (VISIO
18	80193A	4	SCREW, M5-0.8 X 10MM P.P
19	832002	1	CLAMP-DRAIN VALVE
20	35102A	1	HOSE-DRAIN
21	61459A	1	PLATELATCH ENCORE 17
22	980603	2	WASHER.LK #10 EXT TOOTH(P LTD)
23	80110A	1	HOSE CLAMP
24	920296	1	10-24 ELASTIC STOP NUT
25	752020	1	CLAMP 450 SHAMPOOER VAC
26	51060A	1	SQUEEGEE HOSE
27	30482A	1	SQUEEGEE HOSE S TRAP
28	61451B	1	STRAINER
29	962666	1	SCREW 10-24X 3/4 PAN HEAD PHIL
30	53179A	1	CABLE TIE 8 RED
6A	40002A	1	SWITCH.FLOAT.ELECTRICAL
6C	59877A	1	WASHER 1/2 NPT SEALING
NI	71014A	1	LABEL FALLING PARTS

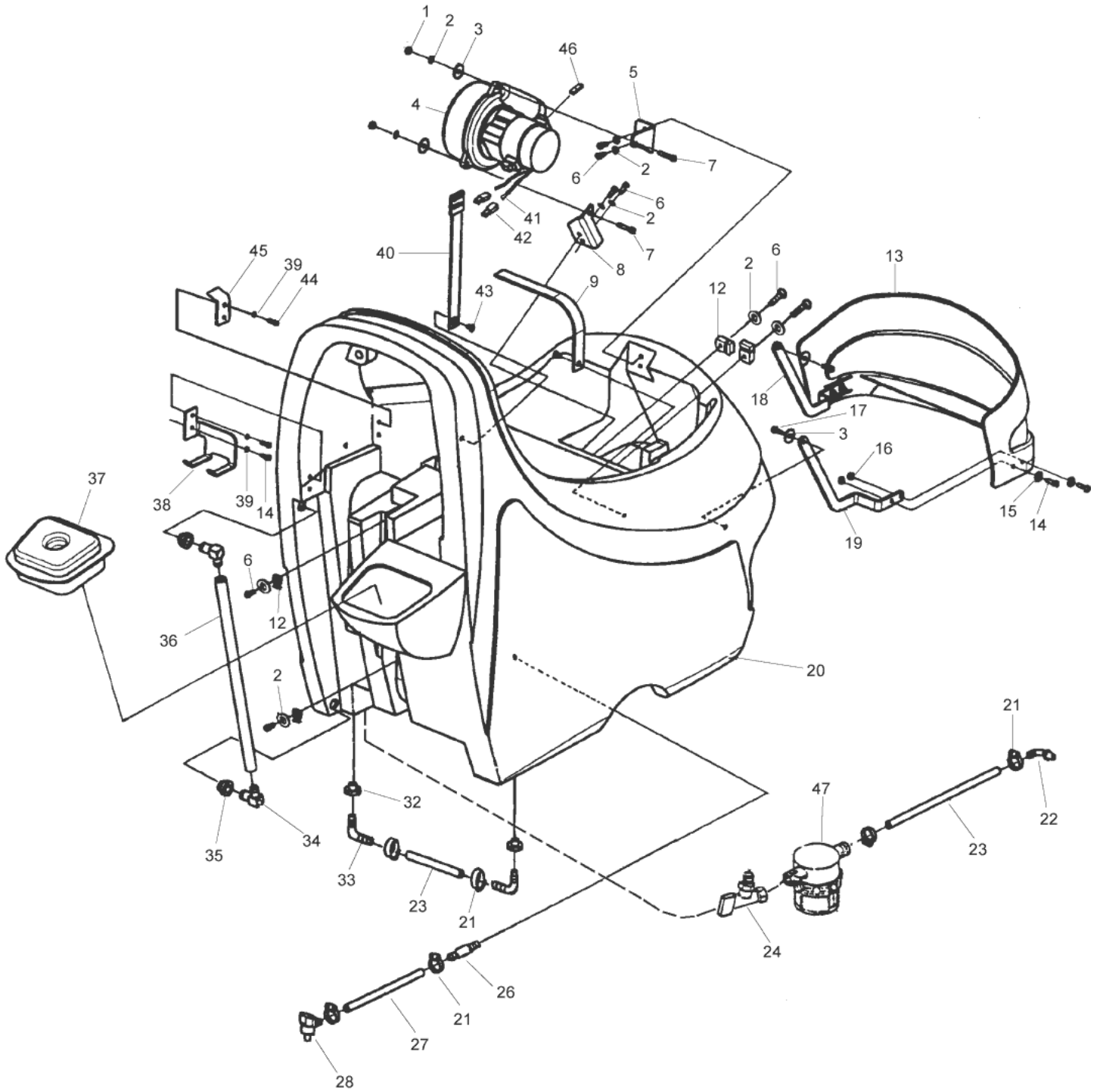
Solution tank & front cover

SCRUBTEC 743 S/L, 751 S/L, 743 S/L C

20-02-2013

Part List ID
SCRUBTEC74306

7



Solution tank & front cover

SCRUBTEC 743 S/L, 751 S/L, 743 S/L C

20-02-2013

Part List ID
SCRUBTEC/74306

8

Pos	Part no.	Qty	Description
1	80199A	1	NUT, M6-1 HEX NYLON LOCK
2	980614	1	WASHER LK 1/4 EXT TOOTHPLTD
3	87026A	1	WASHER. .250. FLAT. SS
4	56324491	1	Vac Motor
5	61297B	1	MOUNTVAC MTRFRONT
6	6878	1	LENS HEAD COUNTER SCREW
7	80180A	1	SCREW M6-1 X 30MM P.P. HD . SS
8	61298B	1	MOUNTVAC MTR REAR
9	52551A	1	STRAP STRAIGHT ENCORE 17
12	52548A	1	TAB 1/4 SCREW ENCORE 17
13	30221A	1	FRONT COVER ENCORE 17
13	30608A	1	COVER FRONT FOCUS 20
14	80202A	1	SCREW, M5-0.8 X 15MM P.P.
15	87036A	1	WASHER. FLAT. #10 S.S.
16	80196A	1	NUT, M5-0.8 HEX NYLON INS
17	80209A	1	BOLT - SHOULDER
18	61457A	1	BRACKET VISOR LIFT LT
19	61456A	1	BRACKET VISOR LIFT RT
20	30286A	1	TANKSOLUTIONALTO
20	30702A	1	TANK SOL SCRUBTEC 751L
20	30703A	1	TANK SOL SCRUBTEC 743L
20	30704A	1	TANK SOL SCRUBTEC 743SC
20	30705A	1	TANK SOL SCRUBTEC 743LC
20	30706A	1	TANK SOL SCRUBTEC 743S
21	50248A	1	CLAMP, 3/8 HOSE
22	53607A	1	ELBOW-1/4 NPT X 3/8 HOSE
23	30172A	1	HOSE CLEAR
24	51204A	1	SOLUTION VALVE
26	820207	1	ADAPTOR
27	30453A	1	SOL. HOSE BRUSH
28	59614A	1	BATTERY DRAIN VALVE (ENC 33)
32	51518A	1	BUSHING. HOSE. CONNECTOR
33	51526A	1	BUSHING. DRAIN (IMAGE 16)
34	30883A	1	CONNECTOR ELBOW
35	31242A	1	BUSHING
36	30239A	1	HOSE LEVER/DRAIN
37	30222A	1	SOLUTION LID ENCORE 17
38	61280A	1	HANGERDRAIN HOSE ENCORE 17
39	980603	1	WASHER.LK #10 EXT TOOTH(P LTD)
40	52552A	1	STRAP BUCKLE ENCORE 17
41	41809A	1	CONTACT. CONNECTOR (VISIO
42	43401A	1	HOUSING. CONNECTOR (BLK)
43	80210A	1	SCREW M6 1X10MM PHIL. F.H.

Solution tank & front cover

SCRUBTEC 743 S/L, 751 S/L, 743 S/L C

20-02-2013

Part List ID
SCRUBTEC/74306

9

Pos	Part no.	Qty	Description
44	80176A	1	SCREW M5-0.8 X 12MM PPHD SS
45	61345A	1	BRACKET HINGE
46	40817A	1	BRUSH.CARBON 2000B VAC MO
47	53562A	1	Filter bowl
NI	70666B	1	LABEL ALTO

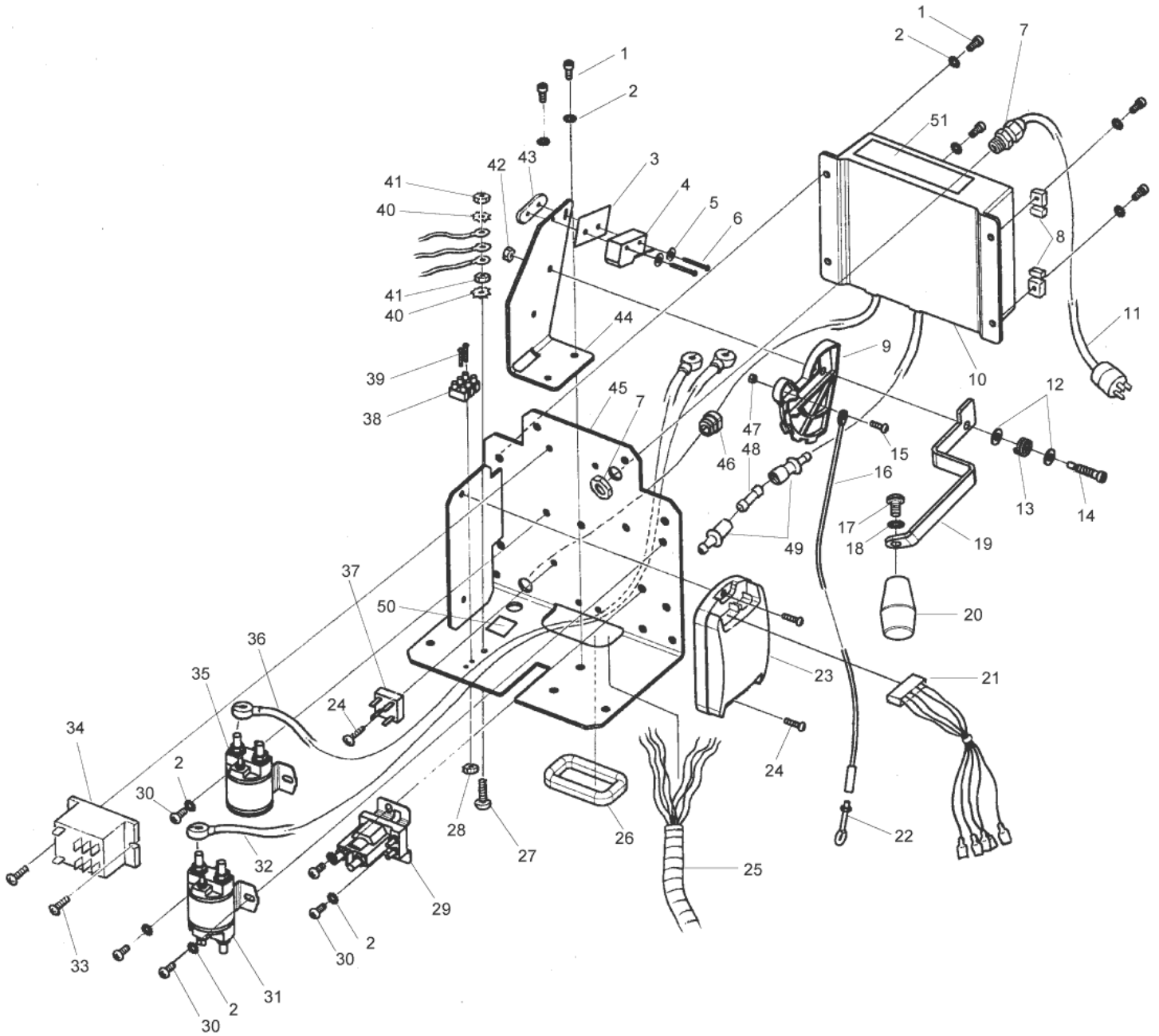
Electrical assembly

SCRUBTEC 743 S/L, 751 S/L, 743 S/L C

20-02-2013

Part List ID
SCRUBTEC74308

10



Electrical assembly

SCRUBTEC 743 S/L, 751 S/L, 743 S/L C

20-02-2013

Part List ID
SCRUBTEC/74308

11

Pos	Part no.	Qty	Description
1	6878	1	LENS HEAD COUNTER SCREW
2	980614	1	WASHER LK 1/4 EXT TOOTHPLTD
3	30097A	1	INSULATOR
4	40635A	1	SQUEEGEE SWITCH
5	980607	1	WASHER. #6 EXT. TOOTH PLT
6	962980	1	SCR 6-32X1 PN*ST MACH
7	30287A	1	FITTINGLIQUID TIGHTCORD
8	52548A	1	TAB 1/4 SCREW ENCORE 17
9	30175A	1	CAM. SQUEEGEE LIFT
10	40615B	1	CHARGER REPLACEMENT FOR 4 0615A
11	40609A	1	POWER SUPPLY CORD 230V
11	40611A	1	CORD POWER SUPPLY 115V
12	980692	1	WASHER 5/16 FLAT 55
13	438360	1	SPRING-ADJUSTER LIFT
14	80178A	1	BOLT M6 X 8 X 30MM SHOULD ER
15	80202A	1	SCREW, M5-0.8 X 15MM P.P.
16	60975A	1	SQUEEGEE CABLE ENCORE 17
17	85389A	1	SCR 3/8 -16X 5/8 PN*SY
18	980666	1	WASHER 3/8 EXT.STAR
19	60976A	1	LEVER,SQUEG LIFT (ENCORE
20	52557A	1	SQUEEGEE KNOB ENCORE 17
21	40631A	1	HARNESSWIRINGTRAVERSE
22	80186A	1	EYEBOLT
23	56381862	1	I DRIVE CONTROLLER KIT
24	80221A	1	SCREW. M4 X .7 X 20MM P.P.HD
25	40629A	1	HARNESSNON TRAVERSE
25	40630A	1	HARNESS TRAVERSE
26	193951	1	TRIM DOUBLE LIP BLACK
27	80205A	1	SCREW M5 .8 X 20MM P.P.HD
28	80204A	1	NUT M3 0.5 HEX NYLON LOCK
29	40169A	1	SOLENOID VACUUM
30	80208A	1	SCREW M6 1 X 10MM P.P.HD
31	41811A	1	CONTACTOR. 24 VDC (26 L)
32	40612A	1	BATTERY CABLE RED ENCORE 17
33	80222A	1	SCREW M4 X .7 X 10MM P.P.HD
34	40634A	1	RELAY 230V ENCORE 17
35	56412179	1	Contactator
36	40613A	1	BATTERY CABLE BLACK ENCOR E 17
37	46106A	1	RECTIFIER (2000E II)
38	40626A	1	BLOCKTERMINAL8 14AWG
39	80206A	1	SCREW M3 0.5 X 20MM P.P.HD
40	980603	1	WASHER.LK #10 EXT TOOTH(P LTD)
41	80169A	1	NUT M5 0.8 HEX

Electrical assembly

SCRUBTEC 743 S/L, 751 S/L, 743 S/L C

20-02-2013

Part List ID
SCRUBTEC/74308

12

Pos	Part no.	Qty	Description
42	80199A	1	NUT, M6-1 HEX NYLON LOCK
43	60265A	1	PLATE SWITCH NUT ENCORE 2426
44	60977A	1	MOUNTSQUEEGEE LIFT ENCORE17
45	61084A	1	PANELELECTRICAL ENCORE 17
45	61332A	1	PANELELECTRICALNON TRAV
46	52562A	1	BUSHINGSTRAIN RELIEF ENC 17
47	80196A	1	NUT, M5-0.8 HEX NYLON INS
48	912216	1	FUSE (AGC-15)
49	43006A	1	FUSE HOLDER
50	77094A	1	LABEL GROUND SYMBOL
51	71015A	1	LABEL GASES CHEMICALS

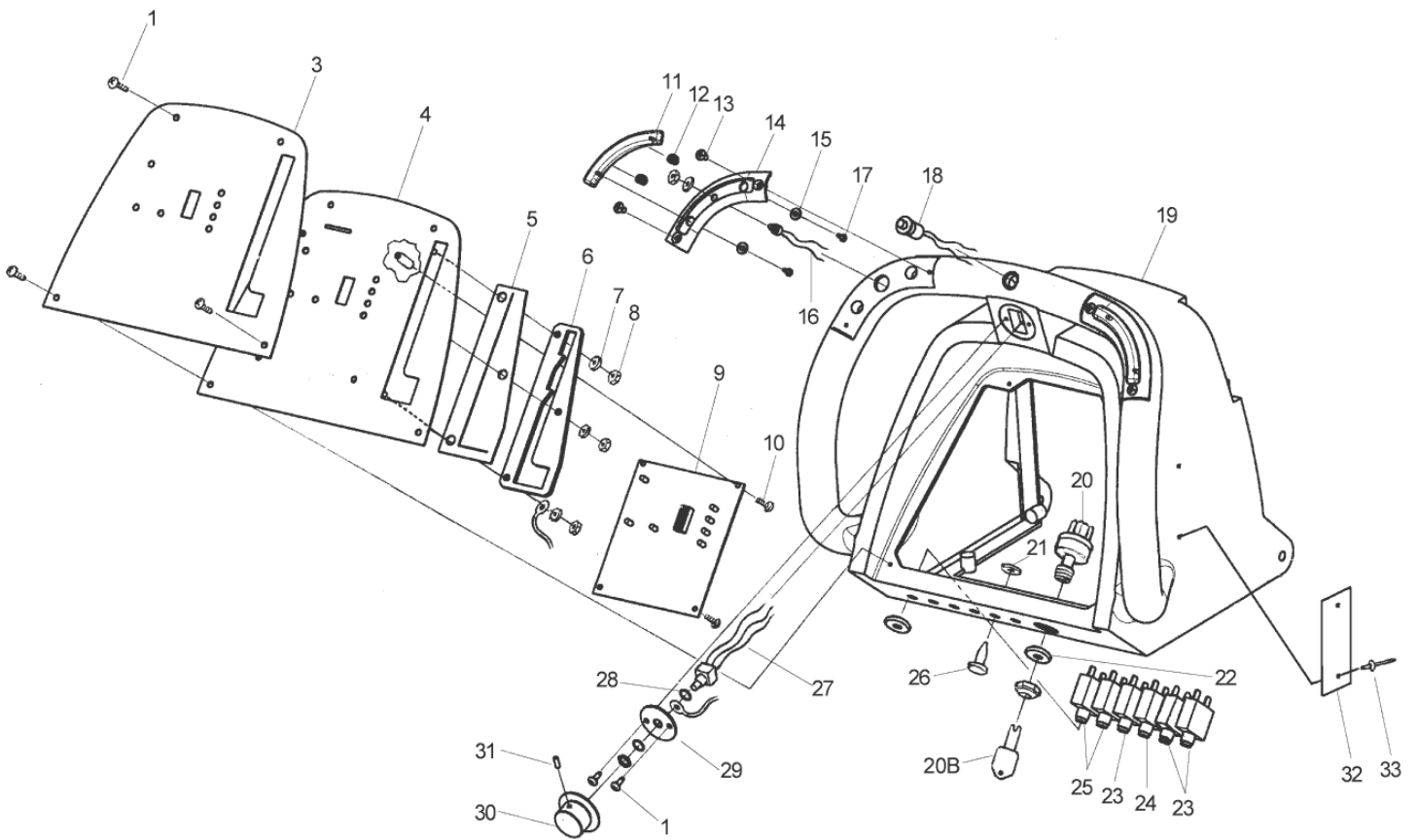
Control housing

SCRUBTEC 743 S/L, 751 S/L, 743 S/L C

20-02-2013

Part List ID
SCRUBTEC74310

13



Control housing

SCRUBTEC 743 S/L, 751 S/L, 743 S/L C

20-02-2013

Part List ID
SCRUBTEC/74310

14

Pos	Part no.	Qty	Description
1	962957	1	SCR 10-16X 1/2 PN*ST HI
3	70352A	1	MEMBRANE SWITCH ENCORE 17
4	60979A	1	PANEL,CONTROL
5	52555A	1	LEVER GASKET ENCORE 17
6	60978A	1	WEAR PLATE ENCORE 17
7	87036A	1	WASHER. FLAT. #10 S.S.
8	80196A	1	NUT, M5-0.8 HEX NYLON INS
9	40597A	1	PANEL CIRCUIT BOARD
10	962330	1	SCREW.6-32 X 3/8 PAN HD
11	11053A	1	CONTROL ASM HANDLE SWITCH
12	50961A	1	SPRING, SWITCH (ENCORE 24
13	80192A	1	SCREW
14	30213A	1	HOUSING, SWITCH ENCORE 17
15	980608	1	#8 FLAT STEEL WASHER
16	40126A	1	SWITCH (FORWARD/REVERSE)
17	80191A	1	SCREW
18	52556A	1	PUSH BUTTON SWITCH ENCORE 17
19	30220A	1	HANDLECONTROLL
19	30228A	1	HANDLECONTROLS
20	47380A	1	SWITCH.KEY. 32DLX/STD
21	80230A	1	WASHER NYLON.683X.337X.063
22	87052A	1	FLAT NYLON WASHER 1.25 X1 X.02
23	41422B	1	CIRCUIT BREAKER .25A
24	41422B	1	CIRCUIT BREAKER .25A
24	41433B	1	CIRCUIT BREAKER 40A PUSHB UTTON
25	41423B	1	CIRCUIT BREAKER 5A PUSH B UTTON
26	80229A	1	CLIPARROW NYLON
27	40135A	1	PONTENTIOMETER INTERFACE
28	980666	1	WASHER 3/8 EXT.STAR
29	60259A	1	RETAINER 5K POTENTIOMETER
30	50962A	1	TRAVERSE CONTROL KNOB
31	962262	1	SCR 8-32X 1/4 ST ST CUP
32	70080A	1	PLATE WARNINGENCORE WO/BRAKE
33	83010A	1	1/8 RIVET
20B	55413A	1	KEY (26/32 VISION)FOR 473

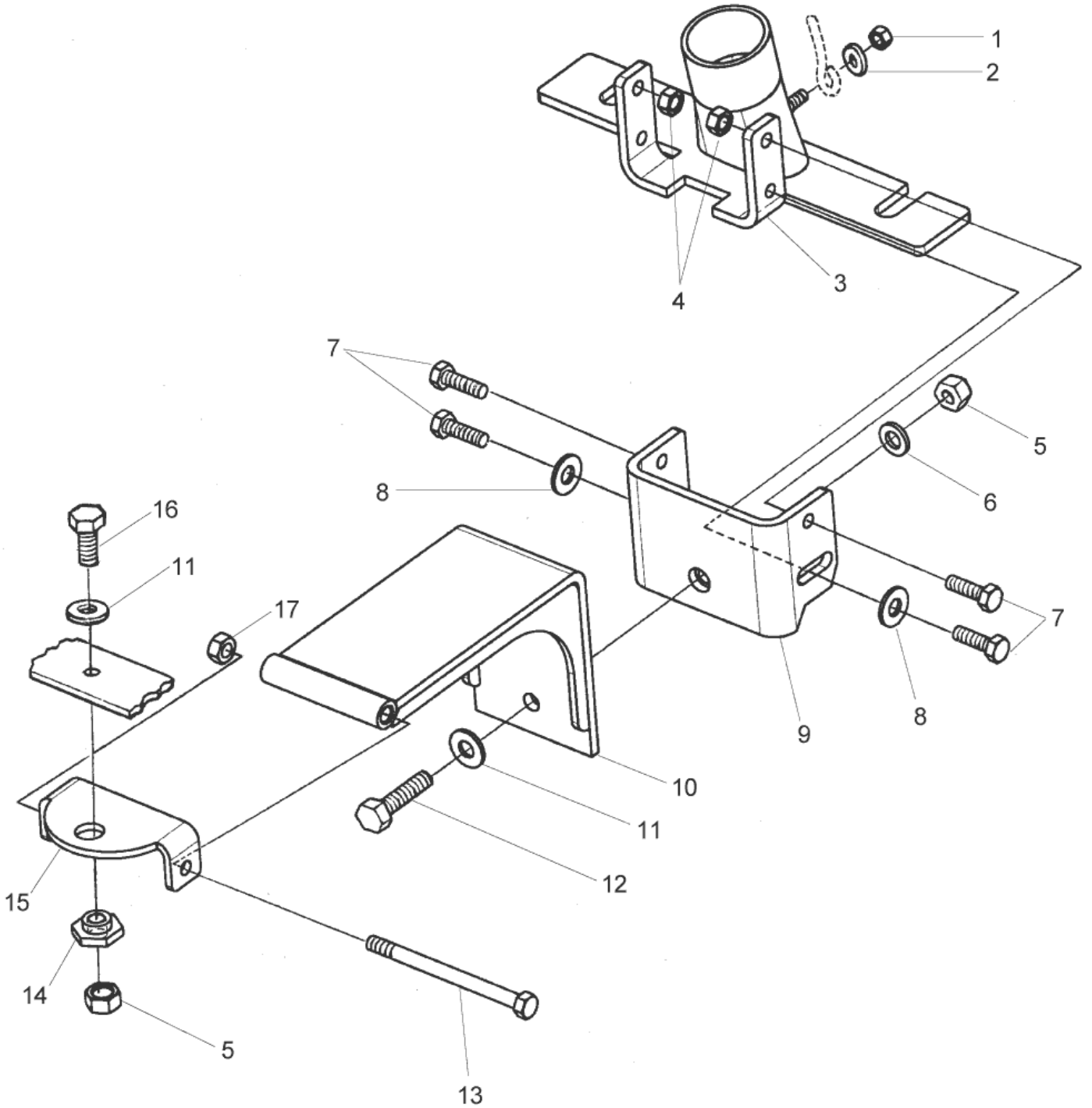
Squeegee lift

SCRUBTEC 743 S/L, 751 S/L, 743 S/L C

20-02-2013

Part List ID
SCRUBTEC74312

15



Squeegee lift

SCRUBTEC 743 S/L, 751 S/L, 743 S/L C

20-02-2013

Part List ID
SCRUBTEC/74312

16

Pos	Part no.	Qty	Description
1	80196A	1	NUT, M5-0.8 HEX NYLON INS
2	87036A	1	WASHER. FLAT. #10 S.S.
3	61305A	1	BRACKET, TUBE SQUEEG ENCOR
4	80199A	1	NUT, M6-1 HEX NYLON LOCK
5	80198A	1	NUT M8 1.25 HEX NYLON S.S.
6	980652	1	WASHER.LK 5/16 REG(PLTD)
7	80195A	1	SCREW M6 1 X 20MM H.H. S.S.
8	87026A	1	WASHER. .250. FLAT. SS
9	61292A	1	BRACKET PIN ASSEMBLY
10	61296B	1	ARM WELDMENT
11	980651	1	WASHER. 5/16 SAE FLAT
12	80194A	1	SCREW M8 1.25 X 30MM H.H.S.S.
13	80101A	1	SCREW 1/4-20 X 3 1/4 SS
14	61461A	1	SPACER SQUEEGEE SWIVEL E17
15	60256A	1	BRACKET PIVOT ENCORE 2426
16	80197A	1	SCREW, M8-1.25 X 20MM
17	81104A	1	NUT. 1/4-20. ESNA TYPE SS

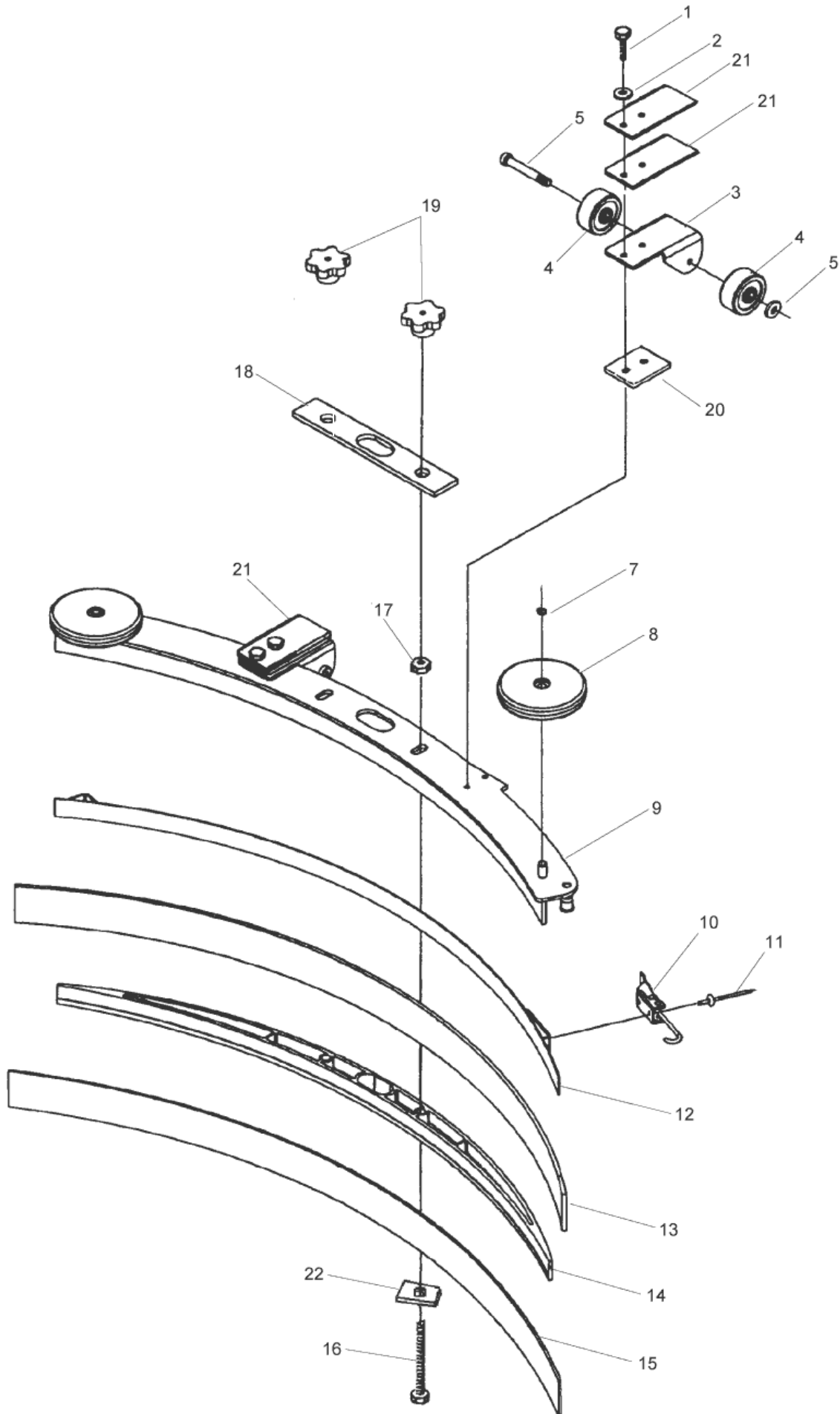
32" squeegee

SCRUBTEC 743 S/L, 751 S/L, 743 S/L C

20-02-2013

Part List ID
SCRUBTEC74314

17



32" squeegee

SCRUBTEC 743 S/L, 751 S/L, 743 S/L C

20-02-2013

Part List ID
SCRUBTEC/74314

18

Pos	Part no.	Qty	Description
1	80252A	1	SCREW HEX 1/4-20 X 1HEX H D SS
2	980657	1	WASHER.LK 1/4 STD
3	60243A	1	SQUEEGEE ADJUSTMENT W BRA CKET
4	30049B	1	SQUEEGEE WHEELS
5	81104A	1	NUT. 1/4-20. ESNA TYPE SS
6	60254A	1	SHOULDER BOLT 3/8 X 2-1/4
7	50958A	1	RING 3/8
8	30048A	1	WHEEL GUIDE 4in DIAMETER
9	60234B	1	SQUEEGEE WELDMENT 32"
10	50835A	1	SQUEEGEE CLAMP LATCH
11	930086	1	RIVET 3/16X.450 LG
12	60232A	1	SQUEEGEE WELDMENT CHANNEL 32in
13	30067L	1	BLADE,SQ.,LINATEX,35.12
14	30047A	1	32in SQUEEGEE SPACER
15	30764L1	1	BLADE INNER NOTCHED 1/8"
16	80011A	1	SCR 3/8 -16X3 CR SS
17	81301A	1	NUT. 3/8-16. JAM. SS
18	34260B	1	GASKET. SQUEEGEE (VISION
19	25201B	1	KNOB SQUEEGEE T
20	60358A	1	SHIMWHEELSQUEEGEE ENCORE2426
21	61370A	1	SQUEEGEE WEIGHT (ENC S)
22	80280A	1	NUT,SQUEEGEE BACKUP

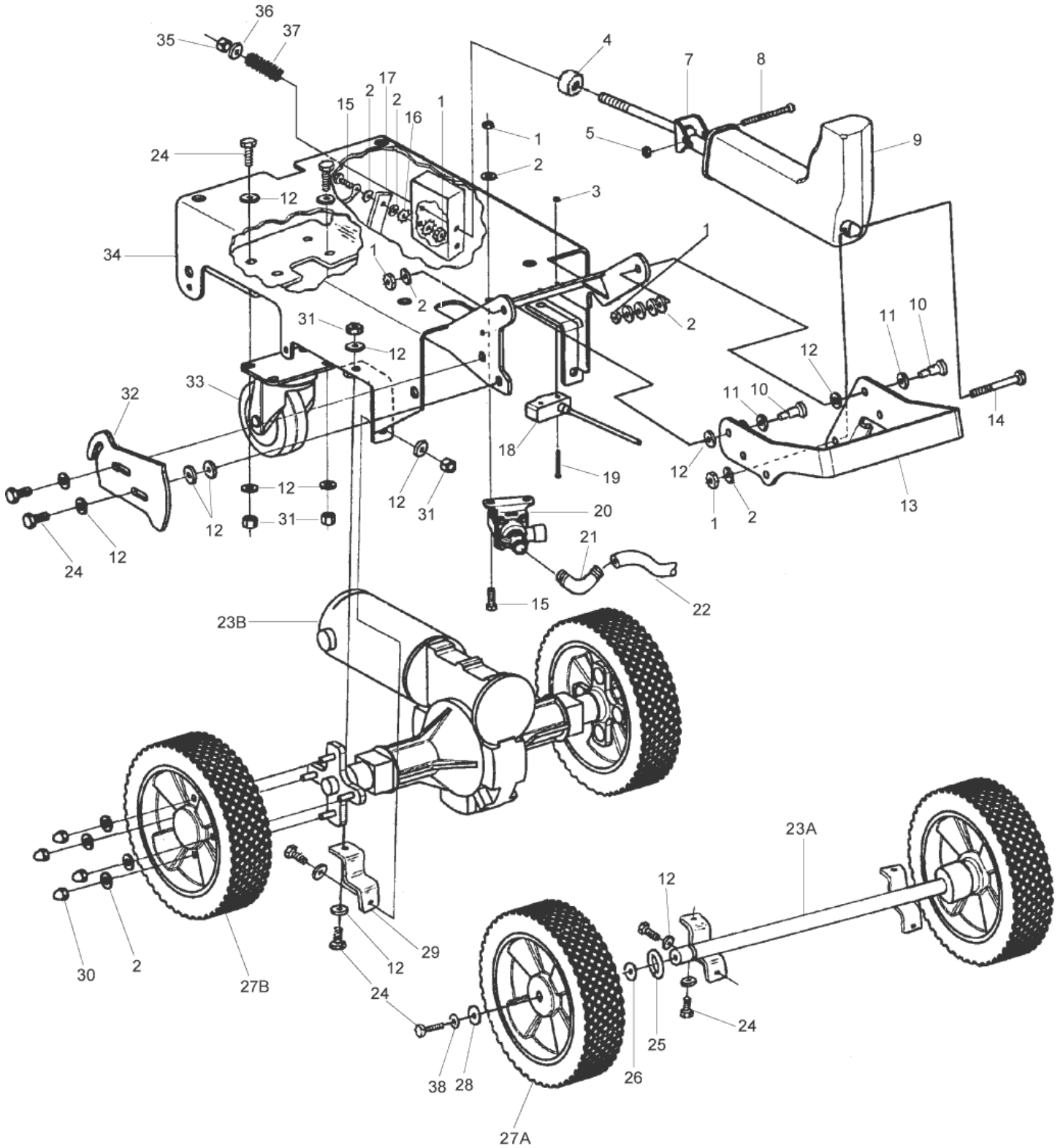
Frame

SCRUBTEC 743 S/L, 751 S/L, 743 S/L C

20-02-2013

Part List ID
SCRUBTEC74316

19



Frame

SCRUBTEC 743 S/L, 751 S/L, 743 S/L C

20-02-2013

Part List ID
SCRUBTEC/74316

20

Pos	Part no.	Qty	Description
1	80199A	5	NUT, M6-1 HEX NYLON LOCK
2	87026A	7	WASHER. .250. FLAT. SS
3	80204A	2	NUT M3 0.5 HEX NYLON LOCK
4	30750A	1	SPRING URETHANE
5	80196A	1	NUT, M5-0.8 HEX NYLON INS
7	61077A	1	BRACKET ACTUATOR REAR WLDMT
8	80164A	1	BOLT M5 X 6 X 20MM SHOULDER
9	61075C	1	ACTUATOR 7 STROKE
10	80165A	2	BOLT, M6 X 8 X 12MM SHOUL
11	980651	2	WASHER. 5/16 SAE FLAT
12	980692	18	WASHER 5/16 FLAT 55
13	61592A	1	BRACKET,MOTOR,HEADLIFT
14	80173A	1	BOLT, M6-1.0 X 65MM HEX
15	80195A	2	SCREW M6 1 X 20MM H.H. S.S.
16	980614	1	WASHER LK 1/4 EXT TOOTHPLTD
17	61302A	1	STRAP STATIC 7.5 ENCORE 17
18	47422C	1	SWITCH SPRING ROD SPDT
19	80203A	2	SCREW M3 0.5 X 30MM P.P.HD
20	59610A	1	VALVE FLOW ELECTRIC
21	51526A	1	BUSHING. DRAIN (IMAGE 16)
21	52635A	1	HOSEBARB90 DEG3/8 X 1/2NYL
22	30311A	1	HOSE CLEAR ENCORE 17
24	80197A	12	SCREW, M8-1.25 X 20MM
25	57423A	2	RETAINING RING .75 SHAFT ENC20
26	87616A	4	WASHER. NYLON (VIS 20BT)
28	980205	2	WASHER
29	60289A	1	CLAMP TRANSAXLE ENCORE 2426
30	81104A	1	NUT. 1/4-20. ESNA TYPE SS
31	80198A	8	NUT M8 1.25 HEX NYLON S.S.
32	61079A	1	LATCH MOTOR LIFT BRACKET
33	54454A	1	CASTER SWUVEL 3.5IN
34	61073B	1	FRAME MAIN
35	80223A	1	NUT
36	980645	1	WASHER. 3/8 FLAT SAE
37	54179A	1	SPRING, 2 1/4 COMPRESSION
38	980652	2	WASHER.LK 5/16 REG(PLTD)
23A	61455A	1	NON-TRAVERSE AXLE ENCORE 17
23B	61076A	1	TRANSAXEL ENCORE 17
27A	61436B	2	NON TRAVERSE WHEEL FOR EN C 17
27B	61437A	1	TRAVERSE WHEEL ENCORE 17

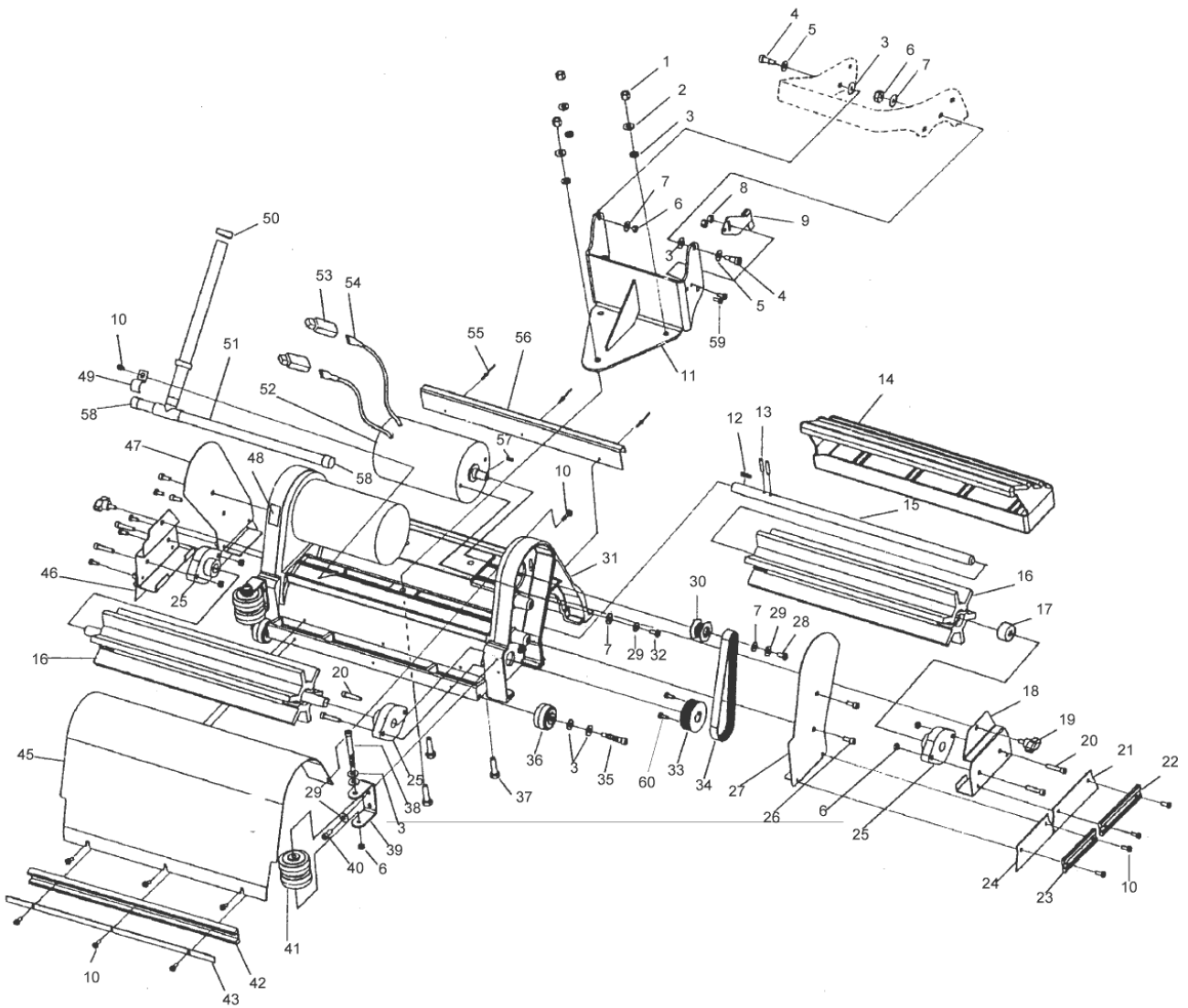
Cylindrical head

SCRUBTEC 743 S/L, 751 S/L, 743 S/L C

20-02-2013

Part List ID
SCRUBTEC74318

21



Cylindrical head

SCRUBTEC 743 S/L, 751 S/L, 743 S/L C

20-02-2013

Part List ID
SCRUBTEC/74318

22

Pos	Part no.	Qty	Description
1	80198A	3	NUT M8 1.25 HEX NYLON S.S.
2	980652	3	WASHER.LK 5/16 REG(PLTD)
3	980692	13	WASHER 5/16 FLAT 55
4	80165A	2	BOLT, M6 X 8 X 12MM SHOUL
5	980651	2	WASHER. 5/16 SAE FLAT
6	80199A	8	NUT, M6-1 HEX NYLON LOCK
7	87026A	8	WASHER. .250. FLAT. SS
8	80196A	2	NUT, M5-0.8 HEX NYLON INS
9	61306A	1	BRACKETSWITCH ACTIV ENCORE17
10	80176A	17	SCREW M5-0.8 X 12MM PPHD SS
11	61080A	1	BRACKET CYLINDRICAL HD. LIFT
12	915082	2	KEY 3/16 X 3/16 X 3/4 LG
13	50436A	4	DRIVE PIN BRUSH EXT 2100
14	30230A	1	DEBRIS TRAY
15	61286A	2	BRUSH SHAFT
16		2	USE LINK ref
17	61398A	2	BRUSH SPACER
18	61449A	1	LH DOOR BRUSH
19	52477A	2	CLAMPING KNOB ENCORE 17
20	80180A	8	SCREW M6-1 X 30MM P.P. HD . SS
21	30545A	2	SKIRT, BRUSH DOOR (ENC 17
22	30209A	2	BRUSH DOOR BUMPER
23	30208A	2	BUMPER BELT COVER
24	30544A	2	SKIRT. BELT COVER (ENC 17
25	53399A	4	BEARING, 5/8 FLANGE, ZINC
26	6878	4	LENS HEAD COUNTER SCREW
27	61282A	1	LH DOOR BELT
28	80214A	2	SCREW M6 1 X 12 HEX HD. C.S.
29	980657	10	WASHER.LK 1/4 STD
30	61396A	2	MOTOR PULLEY
31	21058A	1	HOUSING BRUSH ENCORE 17 CYL
32	57994A	4	SCREW M6 X 20 HEX HD
33	61397A	2	BRUSH DRIVE PULLEY
34	52818A	2	DRIVE BELT
35	80178A	2	BOLT M6 X 8 X 30MM SHOULD ER
36	59932A	2	FRONT WHEEL 2000PV
37	80187A	3	BOLT M8 1.25 X 30MM H.H S.S.
38	80177A	2	BOLT M6 X 8 X 60MM SHOULDER
39	61448A	2	ROLLER BRACKET
40	80208A	4	SCREW M6 1 X 10MM P.P.HD
41	30049B	4	SQUEEGEE WHEELS
42	30235A	1	BUMPER ENCORE 17 CYL
43	61287A	1	RETAINER BUMPER

Cylindrical head

SCRUBTEC 743 S/L, 751 S/L, 743 S/L C

20-02-2013

Part List ID
SCRUBTEC/74318

23

Pos	Part no.	Qty	Description
45	61285A	1	COVER MOTOR ENCORE 17 CYL
46	61283A	1	RH DOOR BRUSH
47	61450A	1	RH BELT COVER
48	71017A	2	LABEL MOVING PARTS
49	782002	1	CLAMP-MANIFOLD RM-10
50	50248A	2	CLAMP, 3/8 HOSE
51	10387A	1	TUBE SOLUTION
52	41049A	1	BRUSH CARBON SET FOR 61430A replacement brushes
52	61430A	2	BRUSH MOTOR
53	40645A	4	CONNECTER HOUSING PP75 BL ACK
54	41601A	4	CONNECTOR-CONTACT
55	930113	3	RIVET.POP 1/8 STEEL(LONG)
56	61288A	1	RAIL DEBRIS TRAY ENCORE 17
57	80158A	2	SQUARE KEY 1AB
58	53182A	2	CAP TUBE
59	80249A	2	SCREWM5 .8X12MM HEX HEAD S.S.
60	962262	2	SCR 8-32X 1/4 ST ST CUP

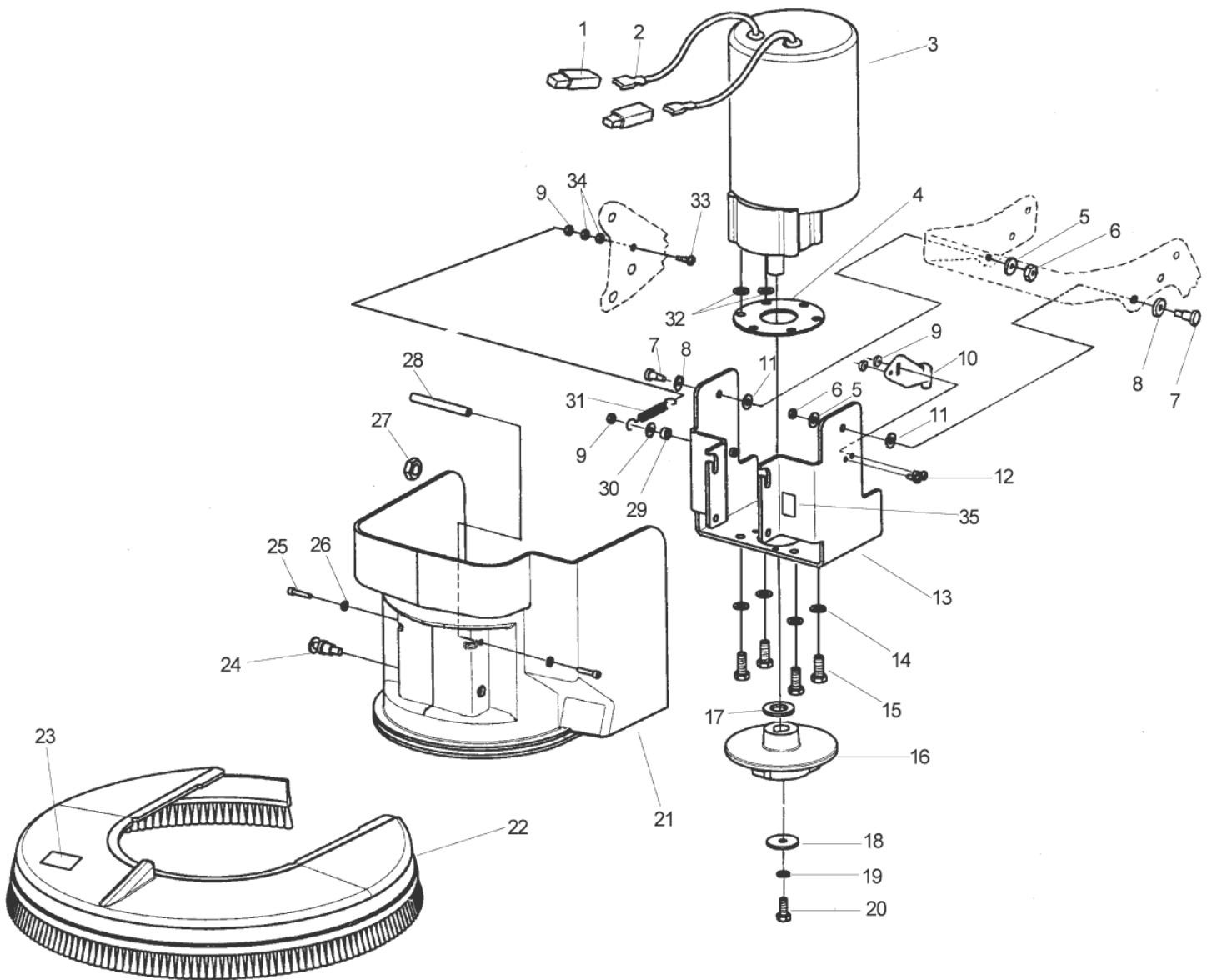
Rotary disk head

SCRUBTEC 743 S/L, 751 S/L, 743 S/L C

20-02-2013

Part List ID
SCRUBTEC74320

24



Rotary disk head

SCRUBTEC 743 S/L, 751 S/L, 743 S/L C

20-02-2013

Part List ID
SCRUBTEC/74320

25

Pos	Part no.	Qty	Description
1	40645A	1	CONNECTER HOUSING PP75 BL ACK
2	41601A	1	CONNECTOR-CONTACT
3	40591A	1	BRUSH MOTOR ENCORE 17
4	20014A	1	SHIM, MOTOR PLATE (ENCORE
5	87026A	2	WASHER. .250. FLAT. SS
6	80199A	2	NUT, M6-1 HEX NYLON LOCK
7	80165A	2	BOLT, M6 X 8 X 12MM SHOUL
8	980651	2	WASHER. 5/16 SAE FLAT
9	80196A	3	NUT, M5-0.8 HEX NYLON INS
10	61306A	1	BRACKETSWITCH ACTIV ENCORE17
11	980692	2	WASHER 5/16 FLAT 55
12	80249A	2	SCREWM5 .8X12MM HEX HEAD S.S.
13	61078A	1	BRACKET, MOTOR MOUNT ASSY
13	61593A	1	BRACKETMOTORMOUNT ASM
14	98451A	4	LOCK WASHER 7/16
15	80184A	4	BOLT M10 1.5 X 25MM H.H S.S.
16	20308A	1	ADAPTOR. MOTOR (1700 VDE)
17	980679	1	WASHER. 3/4 SAE FLAT PLTD
18	980210	1	WASHER - IMPELLER
19	980652	1	WASHER.LK 5/16 REG(PLTD)
20	80197A	1	SCREW, M8-1.25 X 20MM
21	30216A	1	HOUSING BRUSH UPPER ENCORE 17
21	30607A	1	HOUSINGBRUSH UPPER
22	30217A	1	LOWER BRUSH HOUSING ENCOR E 17
22	30599A	1	HOUSING BRUSH 20 FOCUS 20
23	70667A	1	LABEL 17 ENCORE 17
23	70897A	1	LABEL 20 FOCUS 20
24	66550A	1	PIN.ASM.ENC 20
25	80224A	2	BOLT
26	980643	2	7/16ODX.036THK WASHER
27	920278	1	NUT 1/2 - 20 JAM SS
28	61289A	1	ROD MOTOR COVER
29	52515A	1	SLEEVEBEARING ENCORE 17
30	87036A	1	WASHER. FLAT. #10 S.S.
31	80227A	1	EXTENSION SPRING ENCORE 1 7
32	980645	2	WASHER. 3/8 FLAT SAE
33	80202A	1	SCREW, M5-0.8 X 15MM P.P.
34	80169A	2	NUT M5 0.8 HEX
35	71017A	1	LABEL MOVING PARTS

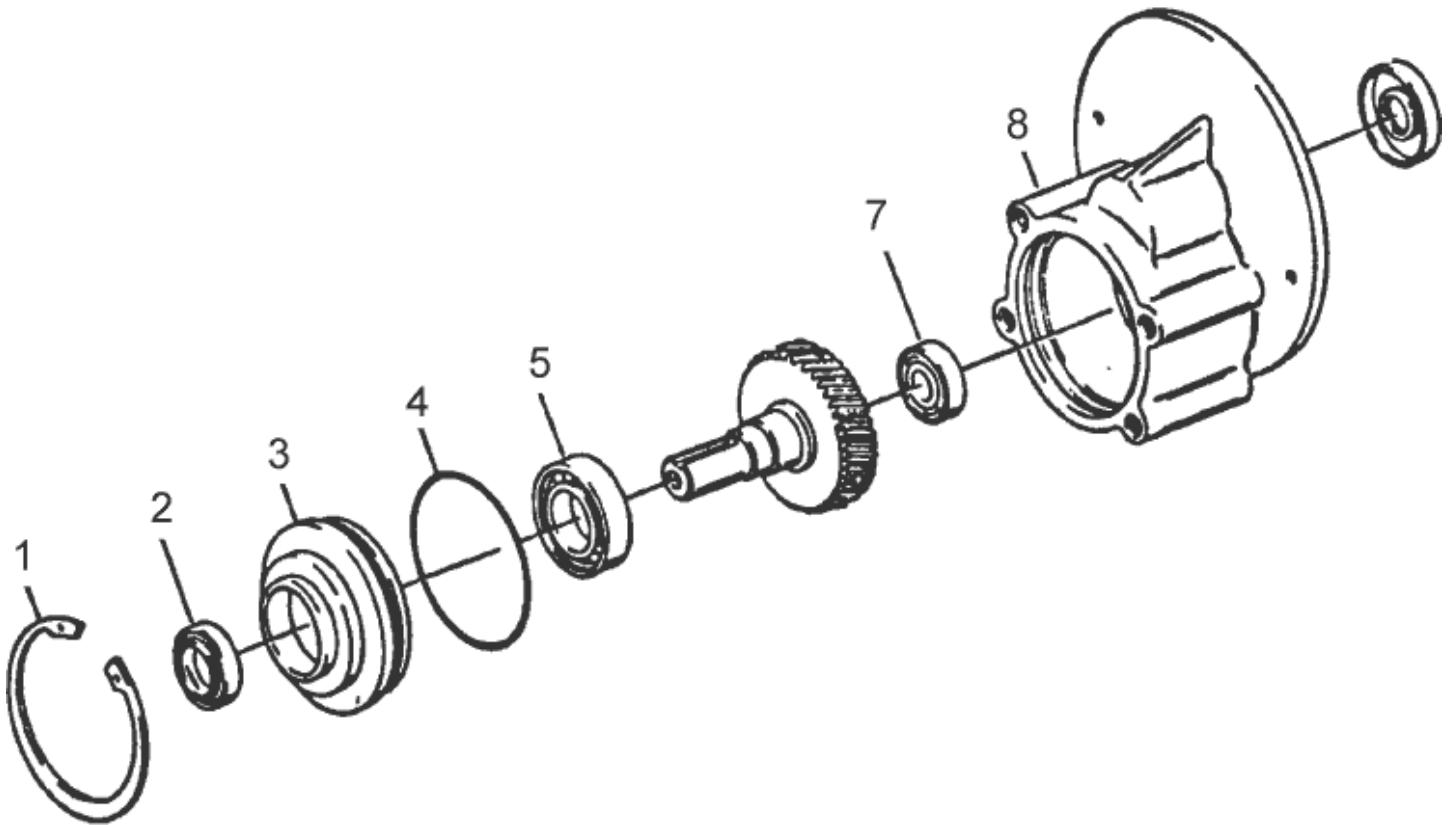
Gearbox

SCRUBTEC 743 S/L, 751 S/L, 743 S/L C

20-02-2013

Part List ID
SCRUBTEC74322

26



Gearbox

SCRUBTEC 743 S/L, 751 S/L, 743 S/L C

20-02-2013

Part List ID
SCRUBTEC/74322

27

Pos	Part no.	Qty	Description
1	57846A	1	RING KIT.SNAP.INTERNAL.GE
2	507641	1	SEAL.OIL-0.875 X 1.375 X
3	52050A	1	CAP. END. GEAR BOX 1700/2
4	56668A	1	O-RING. GEARBOX. (1700/20
5	51176A	1	BEARING. BALL 6005 SERIES
7	902605	1	BRG 710 730 TB16 TB18
9	58144A	1	SEAL. OIL 1.628 OD X .75
11	52855A	1	GEARBOX ASM

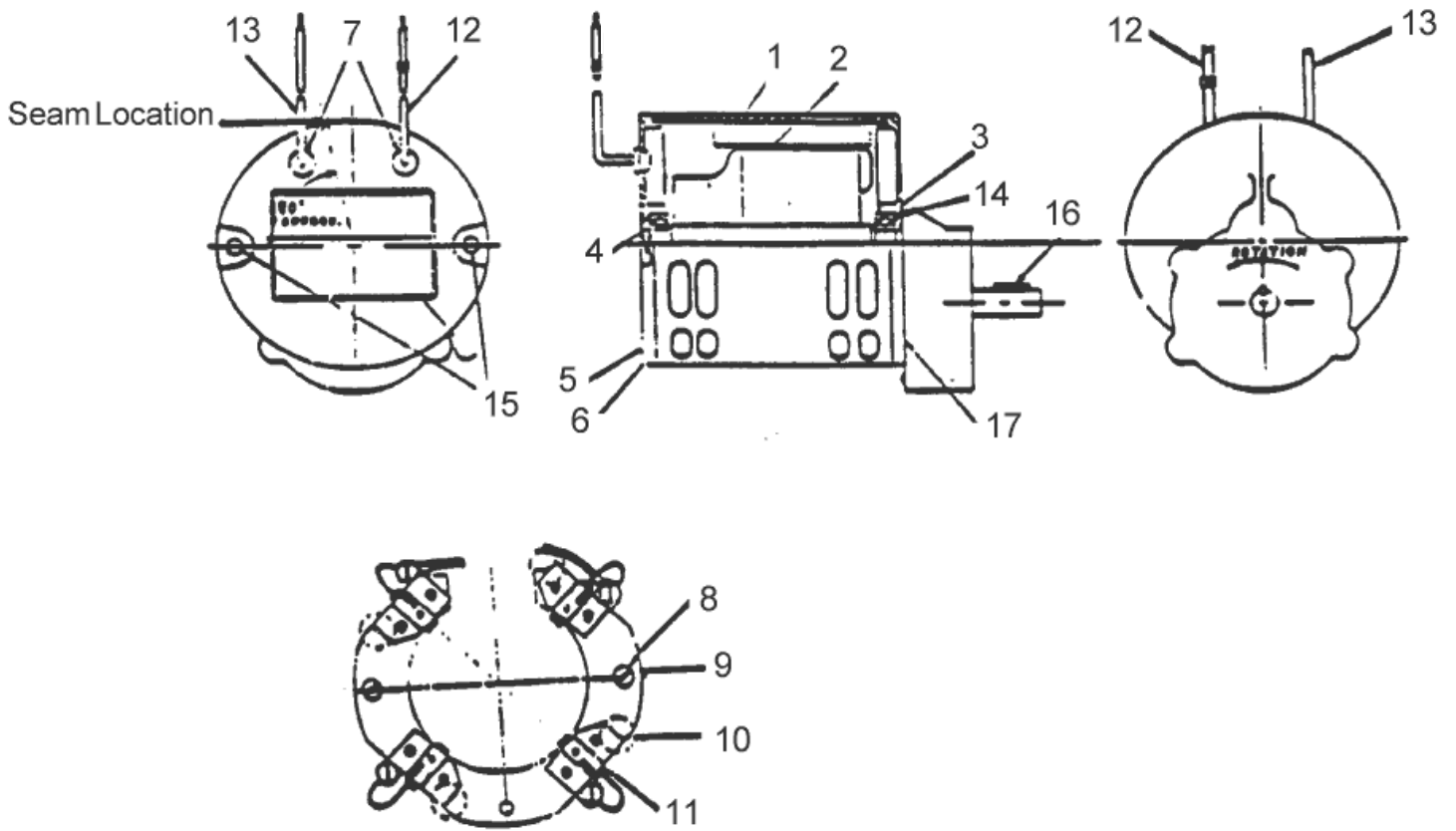
Brush motor

SCRUBTEC 743 S/L, 751 S/L, 743 S/L C

20-02-2013

Part List ID
SCRUBTEC74324

28



Brush motor

SCRUBTEC 743 S/L, 751 S/L, 743 S/L C

20-02-2013

Part List ID
SCRUBTEC/74324

29

Pos	Part no.	Qty	Description
1	56478A	1	STATOR ASM
2	50142A	1	ARMATURE. ASM. 1700/2000
3	902654	1	BEARING
4	902550	1	BEARING
5		1	USE LINK
6	50520A	1	BRACKET COMMUTATOR 1700/2000
7	56480A	2	STRAIN RELIEF MOTOR 1700/2000
8	962546	2	SCR 10-24X 1/2 PN*ST TY
9	50517A	1	BOARD. ASM. BRUSH 1700/20
10	448396	4	SPRING-BRUSH #571001
11	40826A	4	BRUSH ASM.CARBON (V32I/26
12	55657A	1	LEAD ASM POSTIVE FOR MTR NO.44
13	55656A	1	LEAD ASM NEGATIVE FOR MTR NO.4
14		1	USE LINK
15	50515A	2	BOLTTHRU 1/4 20 X 7 5/8 HEX H
16	80501A	1	KEY. MTR SHAFT-3/16SQ X 1 1/4L
17	54238A	1	GEARBOX ASSEMBLY 1700/200

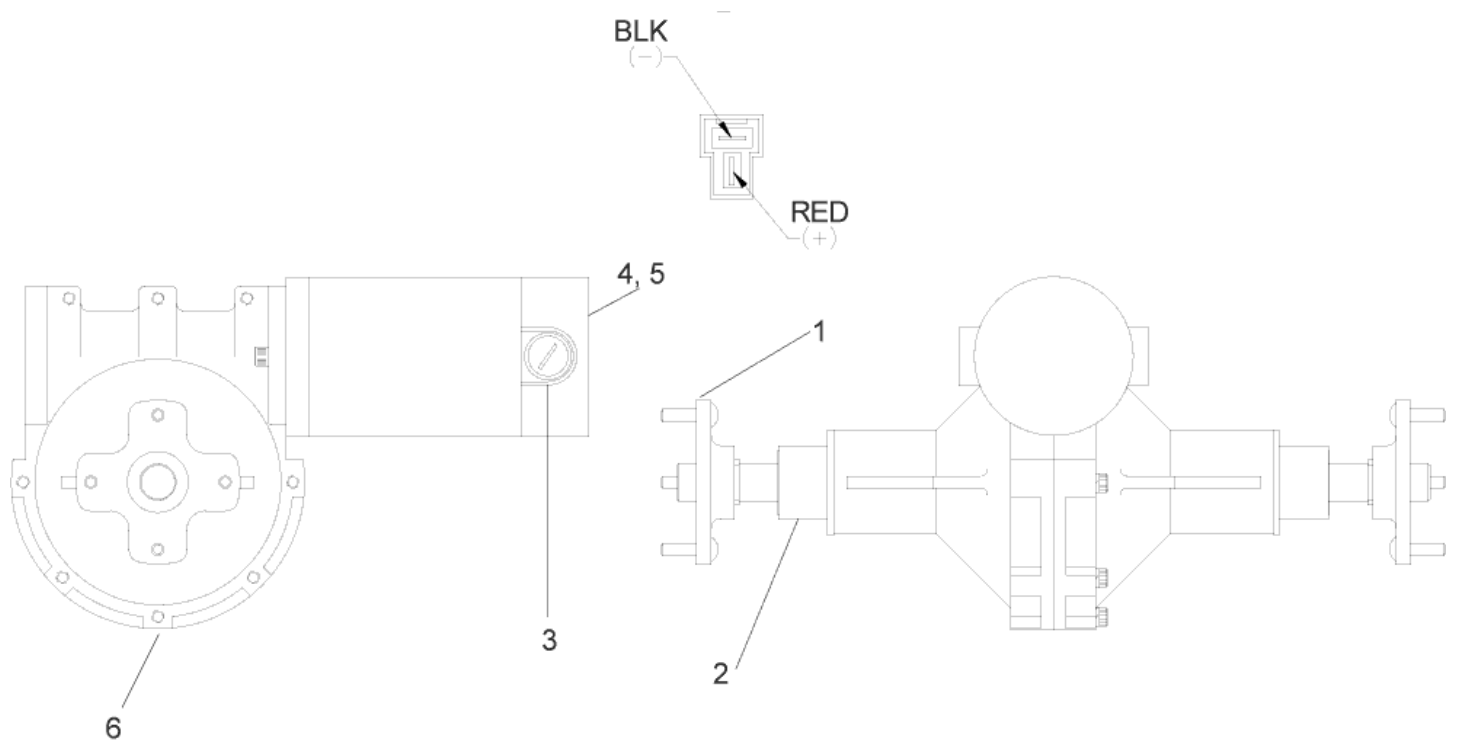
Transaxle

SCRUBTEC 743 S/L, 751 S/L, 743 S/L C

20-02-2013

Part List ID
SCRUBTEC74326

30



Transaxle

SCRUBTEC 743 S/L, 751 S/L, 743 S/L C

20-02-2013

Part List ID
SCRUBTEC/74326

31

Pos	Part no.	Qty	Description
1	10135A	2	WHEEL KIT FLANGE
2	51056A	2	SLEEVE, ELASTOMERIC
3	40593A	2	BRUSH MOTOR
4	40594A	1	SLEEVE MOTOR URETHANE
5	40595A	1	MOTOR TRANSAXLE
6		1	USE LINK

Use 61076A transaxle pos. 23B See frame

Accessories

SCRUBTEC 743 S/L, 751 S/L, 743 S/L C

20-02-2013

Part List ID
SCRUBTEC74328

32

No Drawing For Part List

Accessories

SCRUBTEC 743 S/L, 751 S/L, 743 S/L C

20-02-2013

Part List ID
SCRUBTEC/74328

33

Pos	Part no.	Qty	Description
	10129A	1	SQUEEGEE ASS. COMP 32"
	10489A	1	POWER WAND KIT
	10492A	1	VACUUM MUFFLER KIT (ENC 1 7)
	10572A	1	32in SQUEEGEE KIT
	10656A	1	HOUR METER KIT ENCORE
	30066A	1	FRONT BLADE RIBBED 32"
	30067A	1	BLADE REAR GUM RUBBER 32"
	30067L	1	BLADE,SQ.,LINATEX,35.12
	30079A	1	FRONT INNER BLADE SLIT GR OUT
	30081A	1	REAR OUTER BLADE 32"
	30083A	1	INNER (FRONT) BLADE RIBBE D 32in
	30085A	1	OUTER (REAR) BLADE RIBBED 32in
	30231A	1	4in CYL POLYPRO BRUSH (EN 17)
	30232A	1	4in CYL NYLON BRUSH (ENC 7)
	30233A	1	4in CYL CLEAN GRIT BRUSH NC 17
	30234A	1	4in CYL SUPER GRIT BRUSH NC 17
	303000396	1	BRUSH 20 Ø525 5K
	303000400	1	BRUSH 17 Ø460 5K
	30930A	1	BLADE INNER RUBBER 28"
	30931A	1	BLADE OUTER.GUM RUBBER (V
	30931L	1	BLADESQ.LINATEX 28.12
	30951A	1	BLADE SQUEEGEE 28"
	50478A	1	PROTECTANT. POLYDUR
	51447D	1	BRUSH 20in POLYPROPYLENE UAL
	51450D	1	TYNEX ABRASIVE 20in BRUSH
	51474D	1	CLEAN GRIT 20in BRUSH DUA DIR
	51482D	1	BRUSH 20in NYLON .016 DIA BLACK
	52539A	1	17in DUAL POLYPRO BRUSH (NC17)
	52540A	1	17in DUAL NYLON BRUSH (EN 17)
	52541A	1	17in DUAL GRIT BRUSH (ENC 17)
	52543A	1	17in LIGHT GRIT BRUSH (EN 17)
	56941A	1	PAD HOLDER PINCH CLIP
	976055	1	CS 17 BROWN 51 PADS
	976067	1	PADS CS 20 WHITE 51 5 PK
	976068	1	PADS CS 20 RED 51 5 PK
	976069	1	PADS CS 20 BLUE 51 5 PK
	976070	1	PADS CS 20 BROWN 51 5 PK
	976170	1	PADS CS 20 BLACK THICK 5 PK

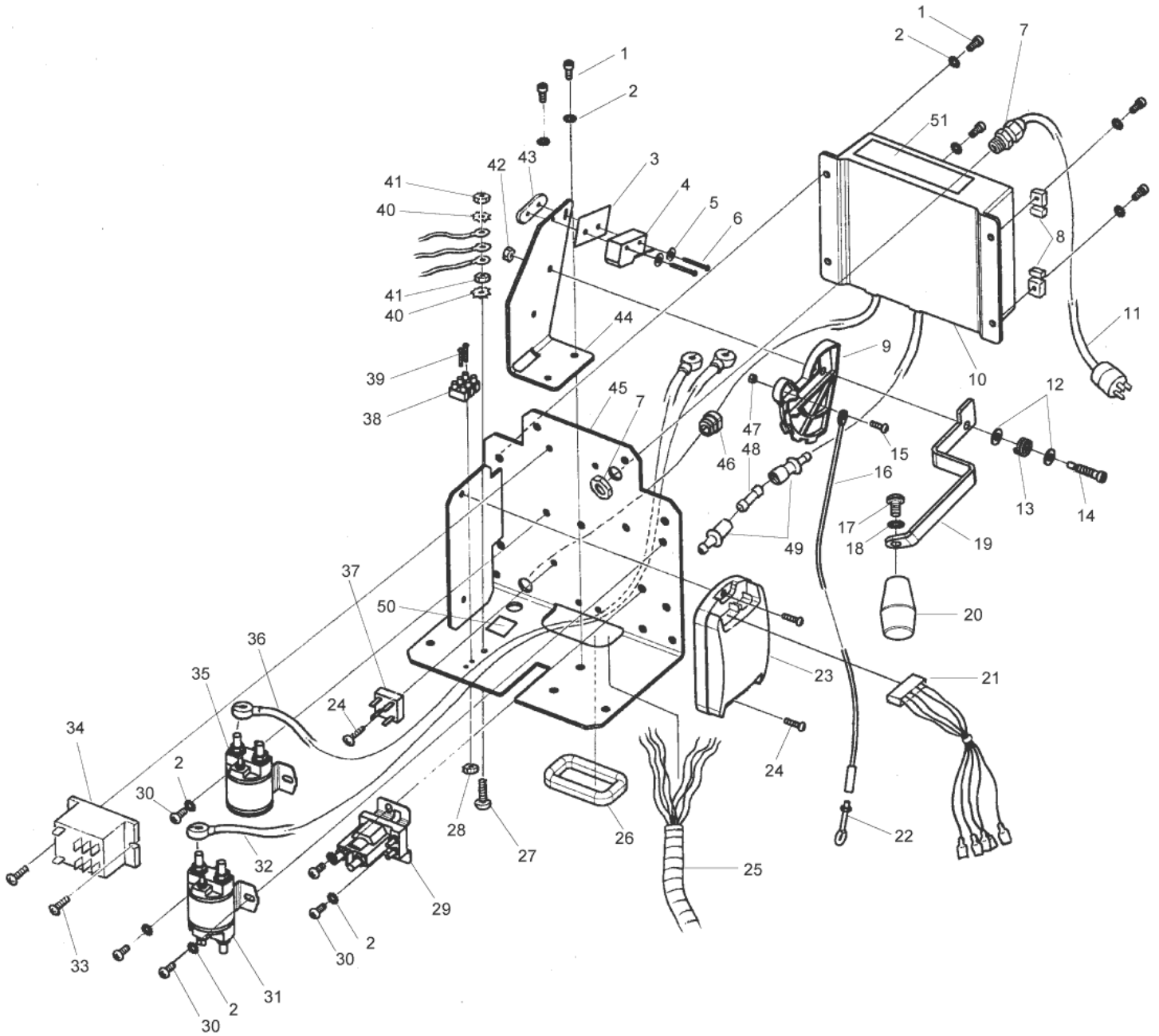
Electrical assembly

SCRUBTEC 743 S/L, 751 S/L, 743 S/L C

20-02-2013

Part List ID
SCRUBTEC74330

34



Electrical assembly

SCRUBTEC 743 S/L, 751 S/L, 743 S/L C

20-02-2013

Part List ID
SCRUBTEC/74330

35

Pos	Part no.	Qty	Description
1	6878	6	LENS HEAD COUNTER SCREW
2	980614	12	WASHER LK 1/4 EXT TOOTHPLTD
3	30097A	1	INSULATOR
4	40635A	1	SQUEEGEE SWITCH
5	980607	2	WASHER. #6 EXT. TOOTH PLT
6	962980	2	SCR 6-32X1 PN*ST MACH
7	30287A	1	FITTINGLIQUID TIGHTCORD
8	52548A	2	TAB 1/4 SCREW ENCORE 17
9	30175A	1	CAM. SQUEEGEE LIFT
10	40615B	1	CHARGER REPLACEMENT FOR 4 0615A
11	40609A	1	POWER SUPPLY CORD 230V
11	40611A	1	CORD POWER SUPPLY 115V
12	980692	2	WASHER 5/16 FLAT 55
13	438360	1	SPRING-ADJUSTER LIFT
14	80178A	1	BOLT M6 X 8 X 30MM SHOULD ER
15	80202A	1	SCREW, M5-0.8 X 15MM P.P.
16	60975A	1	SQUEEGEE CABLE ENCORE 17
17	85389A	1	SCR 3/8 -16X 5/8 PN*SY
18	980666	1	WASHER 3/8 EXT.STAR
19	60976A	1	LEVER,SQUEEG LIFT (ENCORE
20	52557A	1	SQUEEGEE KNOB ENCORE 17
21	40631A	1	HARNESSWIRINGTRAVERSE
22	80186A	1	EYEBOLT
23	56381862	1	I DRIVE CONTROLLER KIT
24	80221A	3	SCREW. M4 X .7 X 20MM P.P.HD
25	40629A	1	HARNESSNON TRAVERSE
25	40630A	1	HARNESS TRAVERSE
26	193951	1	TRIM DOUBLE LIP BLACK
27	80205A	1	SCREW M5 .8 X 20MM P.P.HD
28	80204A	2	NUT M3 0.5 HEX NYLON LOCK
29	40169A	1	SOLENOID VACUUM
30	80208A	6	SCREW M6 1 X 10MM P.P.HD
31	41811A	1	CONTACTOR. 24 VDC (26 L)
32	40612A	1	BATTERY CABLE RED ENCORE 17
33	80222A	2	SCREW M4 X .7 X 10MM P.P.HD
34	40634A	1	RELAY 230V ENCORE 17
35	56412179	1	Contactator
36	40613A	1	BATTERY CABLE BLACK ENCOR E 17
37	46106A	1	RECTIFIER (2000E II)
38	40626A	1	BLOCKTERMINAL8 14AWG
39	80206A	2	SCREW M3 0.5 X 20MM P.P.HD
40	980603	2	WASHER.LK #10 EXT TOOTH(P LTD)
41	80169A	2	NUT M5 0.8 HEX

Electrical assembly

SCRUBTEC 743 S/L, 751 S/L, 743 S/L C

20-02-2013

Part List ID
SCRUBTEC/74330

36

Pos	Part no.	Qty	Description
42	80199A	1	NUT, M6-1 HEX NYLON LOCK
43	60265A	1	PLATE SWITCH NUT ENCORE 2426
44	60977A	1	MOUNTSQUEEGEE LIFT ENCORE17
45	61084A	1	PANELELECTRICAL ENCORE 17
45	61332A	1	PANELELECTRICALNON TRAV
46	52562A	1	BUSHINGSTRAIN RELIEF ENC 17
47	80196A	1	NUT, M5-0.8 HEX NYLON INS
48	912216	1	FUSE (AGC-15)
49	43006A	1	FUSE HOLDER
50	77094A	1	LABEL GROUND SYMBOL
51	71015A	1	LABEL GASES CHEMICALS

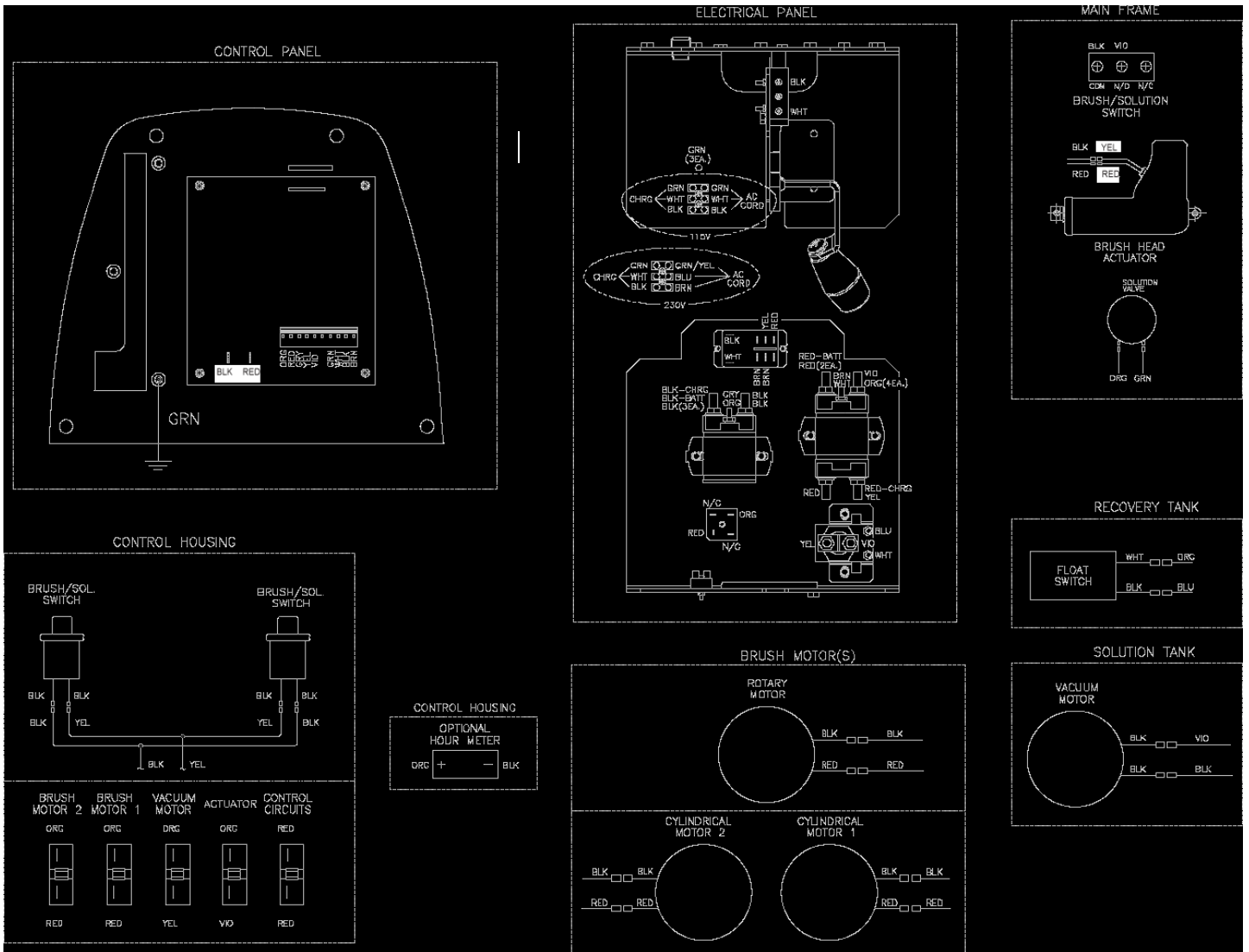
Connection diagram

SCRUBTEC 743 S/L, 751 S/L, 743 S/L C

20-02-2013

Part List ID
SCRUBTEC74332

37



Connection diagram

SCRUBTEC 743 S/L, 751 S/L, 743 S/L C

20-02-2013

Part List ID
SCRUBTEC/74332

38

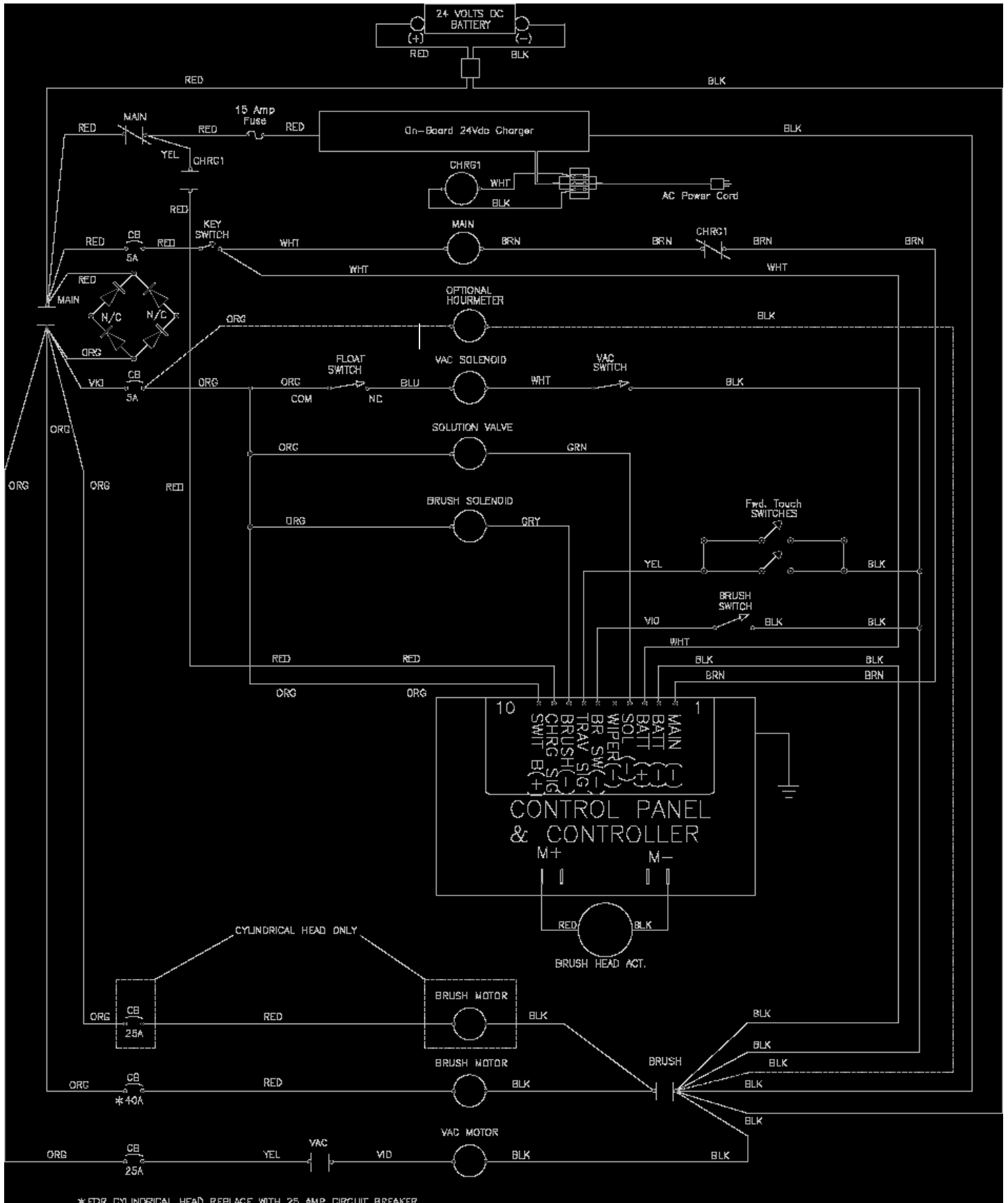
Connection diagram

SCRUBTEC 743 S/L, 751 S/L, 743 S/L C

20-02-2013

Part List ID
SCRUBTEC74334

39



Connection diagram

SCRUBTEC 743 S/L, 751 S/L, 743 S/L C

20-02-2013

Part List ID
SCRUBTEC/74334

40

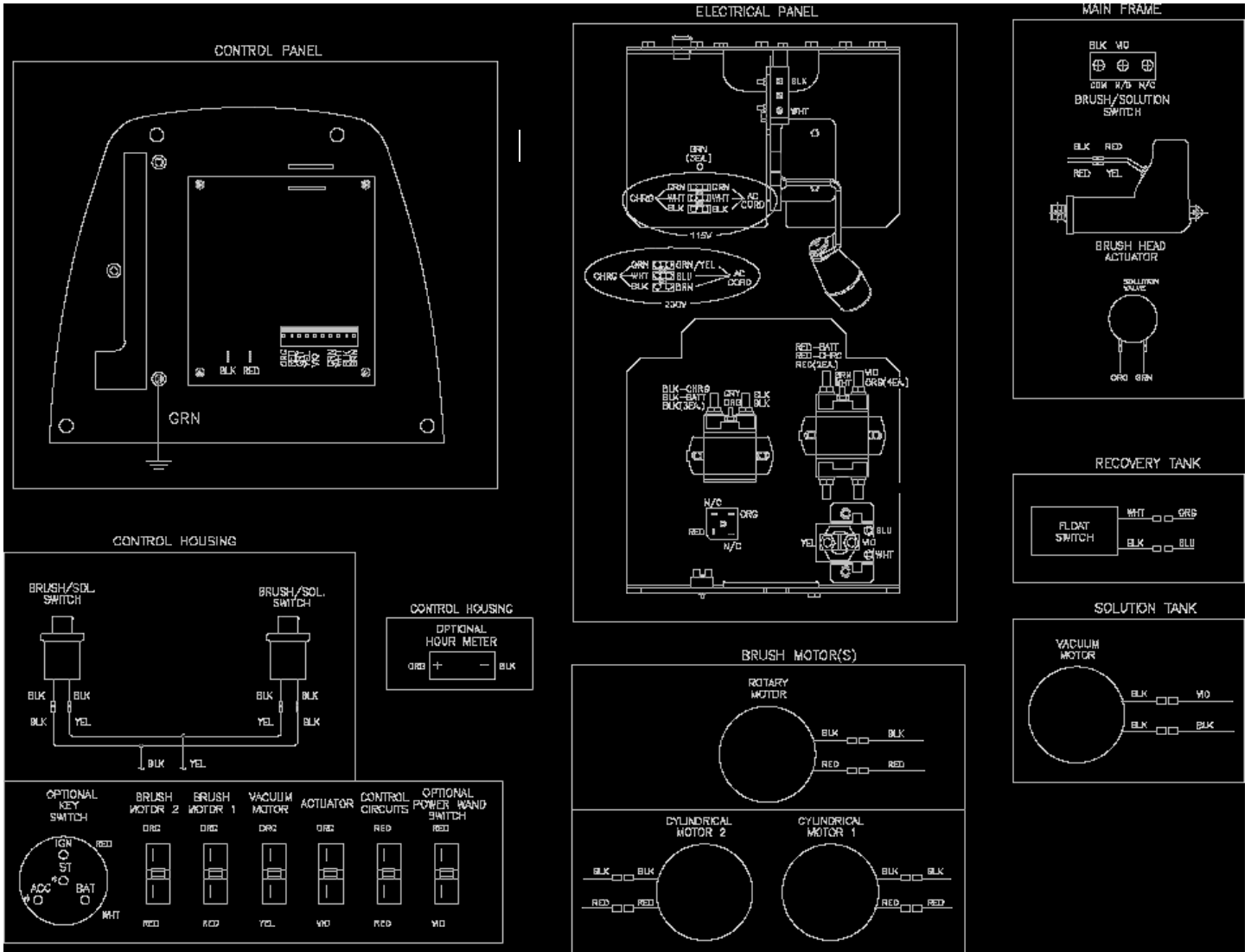
Connection diagram

SCRUBTEC 743 S/L, 751 S/L, 743 S/L C

20-02-2013

Part List ID
SCRUBTEC74336

41



Connection diagram

SCRUBTEC 743 S/L, 751 S/L, 743 S/L C

20-02-2013

Part List ID
SCRUBTEC/74336

42

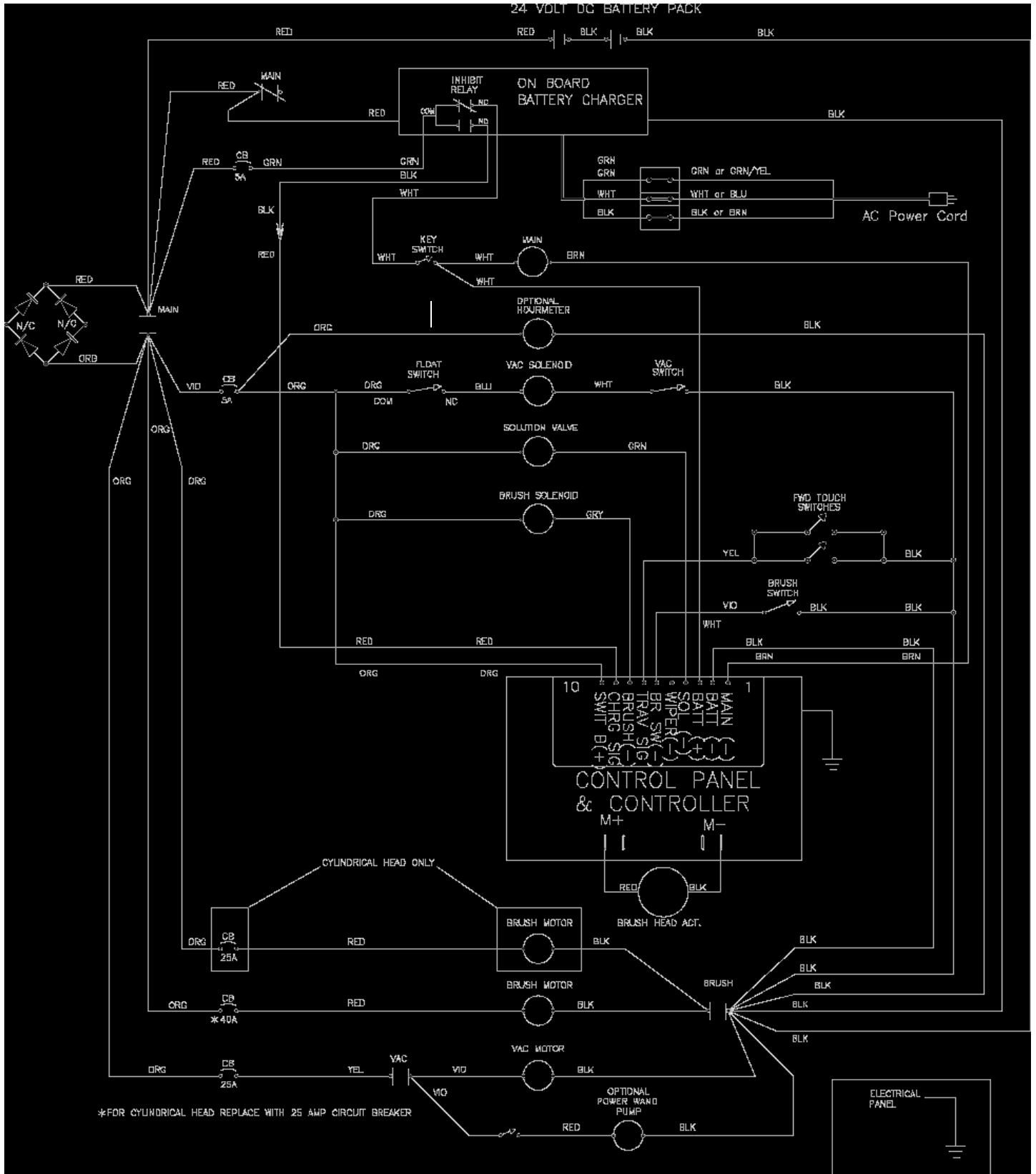
Electrical schematic

SCRUBTEC 743 S/L, 751 S/L, 743 S/L C

20-02-2013

Part List ID
SCRUBTEC74338

43



Electriccal schematic
SCRUBTEC 743 S/L, 751 S/L, 743 S/L C

20-02-2013

Part List ID
SCRUBTEC/74338

44

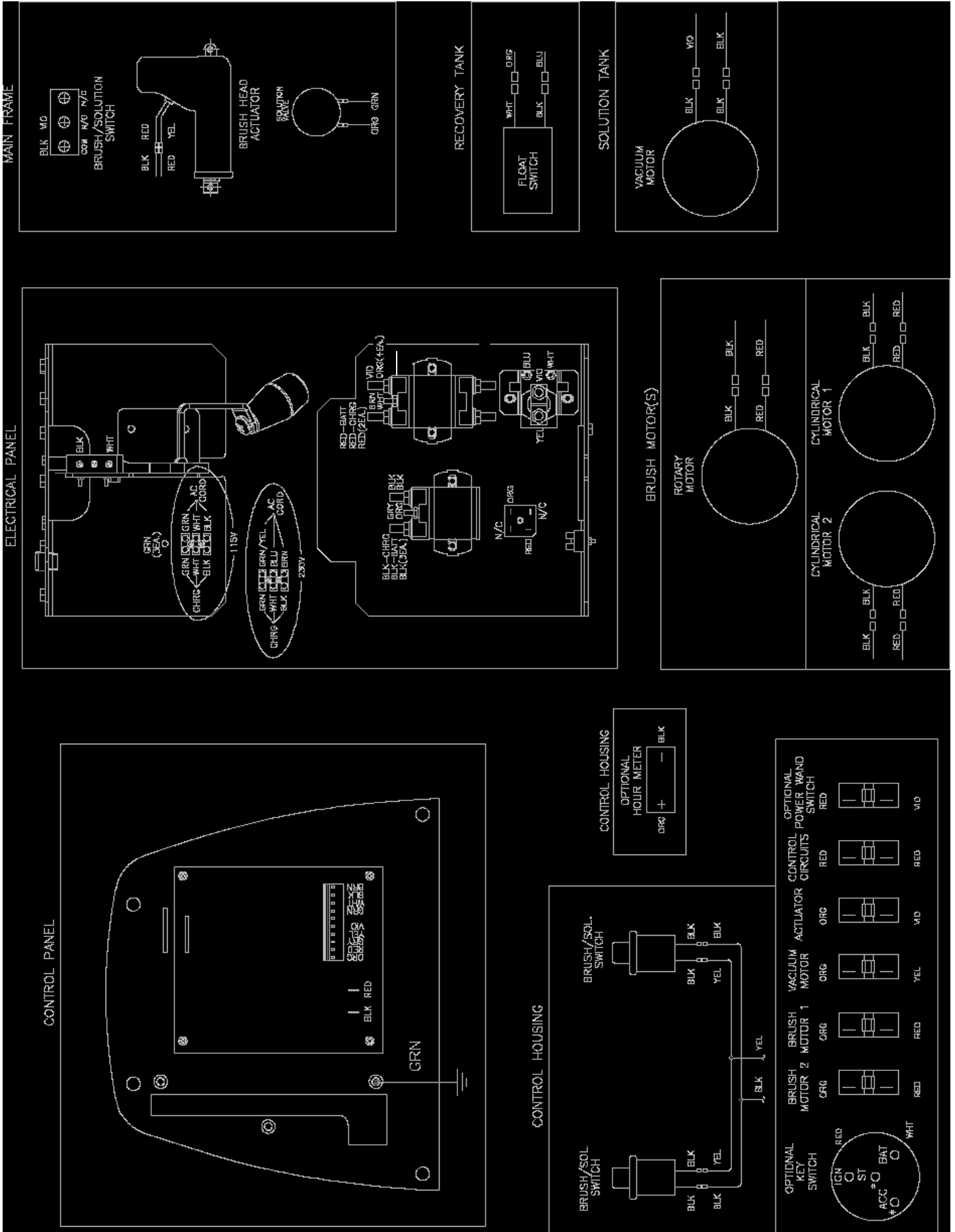
Connection diagram

SCRUBTEC 743 S/L, 751 S/L, 743 S/L C

20-02-2013

Part List ID
SCRUBTEC74340

45



Connection diagram

SCRUBTEC 743 S/L, 751 S/L, 743 S/L C

20-02-2013

Part List ID
SCRUBTEC/74340

46

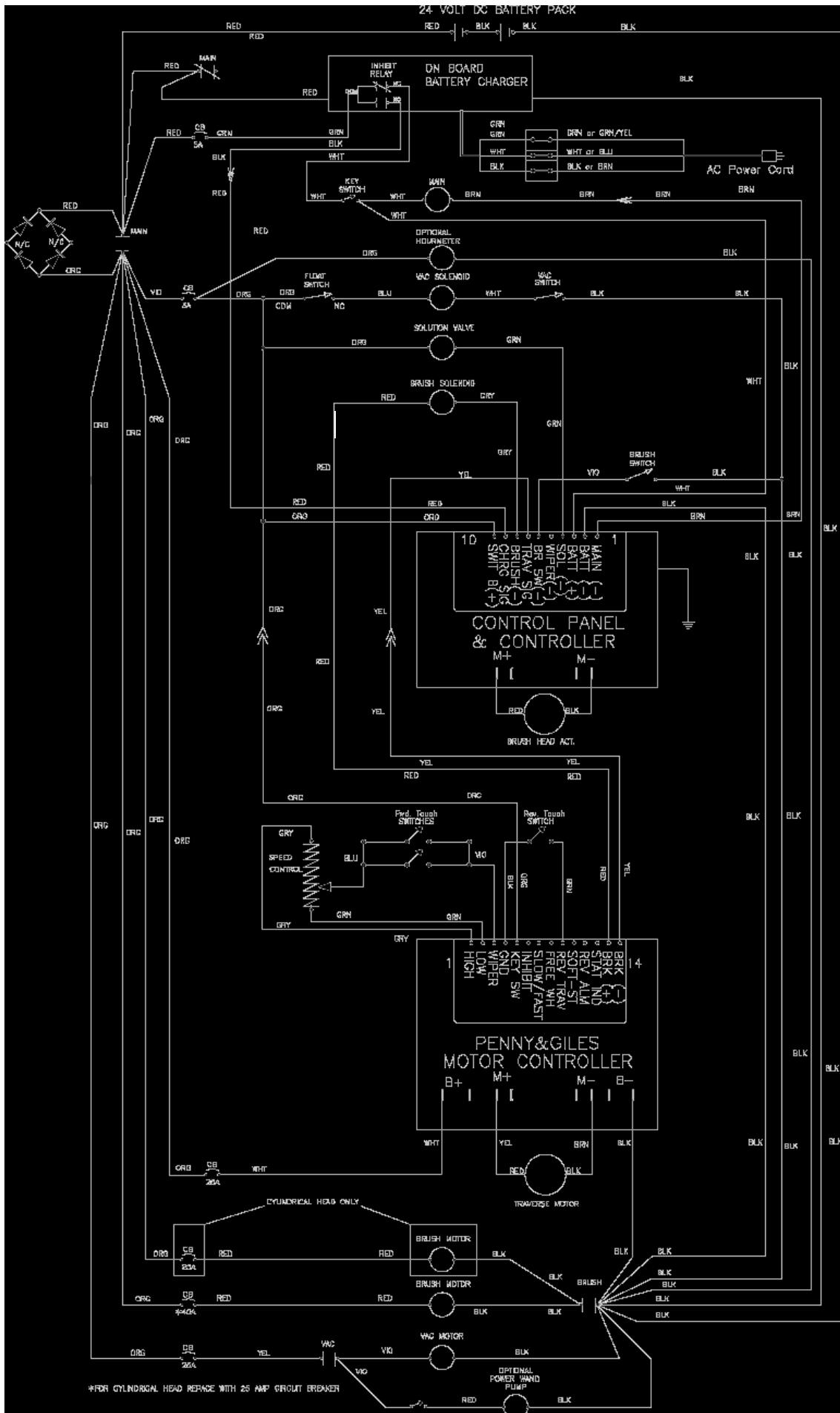
Electrical schematic

SCRUBTEC 743 S/L, 751 S/L, 743 S/L C

20-02-2013

Part List ID
SCRUBTEC74342

47



Electrical schematic
SCRUBTEC 743 S/L, 751 S/L, 743 S/L C

20-02-2013

Part List ID
SCRUBTEC/74342

48