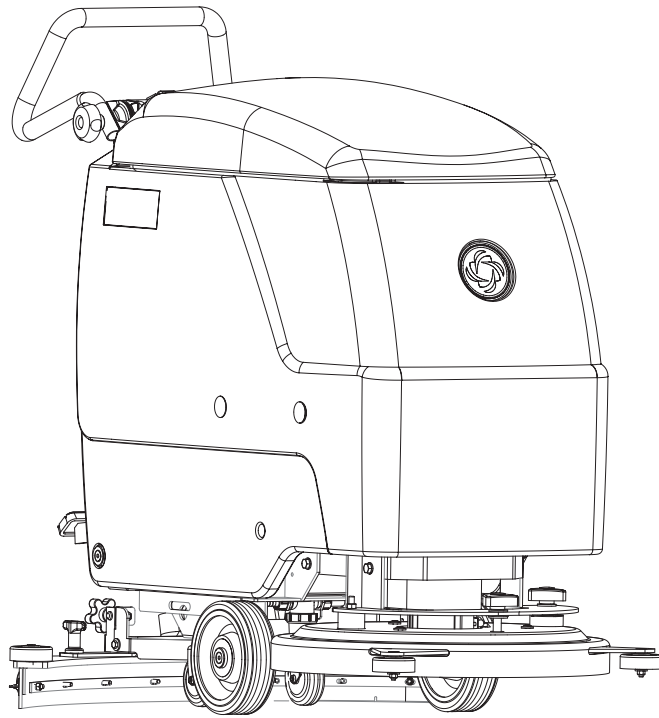


# CA 430S / 510S



**CATALOGO RICAMBI**  
**PARTS LIST**  
**PIECES DE DETACHEES**  
**ERSATZTEILLISTE**

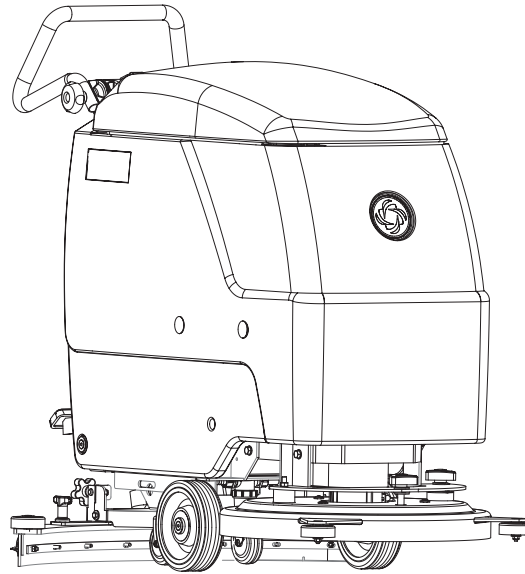


**Nilfisk**  
**Advance**

*setting standards*

L08812945(4)2006-12 **CE**





I	GB	D	F	Pagina- Page Seite - Page
VISTA GENERALE	GENERAL VIEW	GESAMTSICHT	VUE GENERAL	2 - 3
GRUPPO SERBATOIO	TANK ASSEMBLY	TANKS GRUPPE	RESERVOIR	4 - 7
GRUPPO TELAIO	CHASSIS SYSTEM	CHASSIS SYSTEM	CHASSIS SYSTEM	8 - 9
GRUPPO ELETTROVALVOLA	SOLUTION SYSTEM	WASSERZUFUEHRUNG	CIRCUIT DE SOLUTION	10 - 15
GRUPPO TERGITORE	SQUEEGEE ASSEMBLY	SAUGDUESENGRUPPE	SYSTEM D'EMBOUCHURE	16 - 17
GRUPPO SPAZZOLA CA 430S	BRUSH SYSTEM CA 430S	BUERSTENANTRIEBE CA 430S	MOTEUR DU BROSSE CA 430S	18 - 19
GRUPPO SPAZZOLA CA 510S	BRUSH SYSTEM CA 510S	BUERSTENANTRIEBE CA 510S	MOTEUR DE LA BROSSE CA 510S	20 - 23
PANNELLO DI CONTROLLO	CONTROL PANEL SYSTEM	ARMATUREN BRETT	TABLEAU DE BORD	24 - 25
SISTEMA ELETTRICO	WIRING SYSTEM	ELEKTRISCHE SYSTEM	SYSTEM ELECTRIQUE	26 - 27
SCHEMA ELETTRICO	WIRING DIAGRAM	SCHALTPLAN	DIAGRAMME ELECTRIQUE	28
RICAMBI CONSIGLIATI	RECOMMENDED SPARE PARTS	EMPFOHLENE ERSATZTEILE	PIECES DE RECHANGE RECOM.	29 - 30

#### WHEN ORDERING PARTS

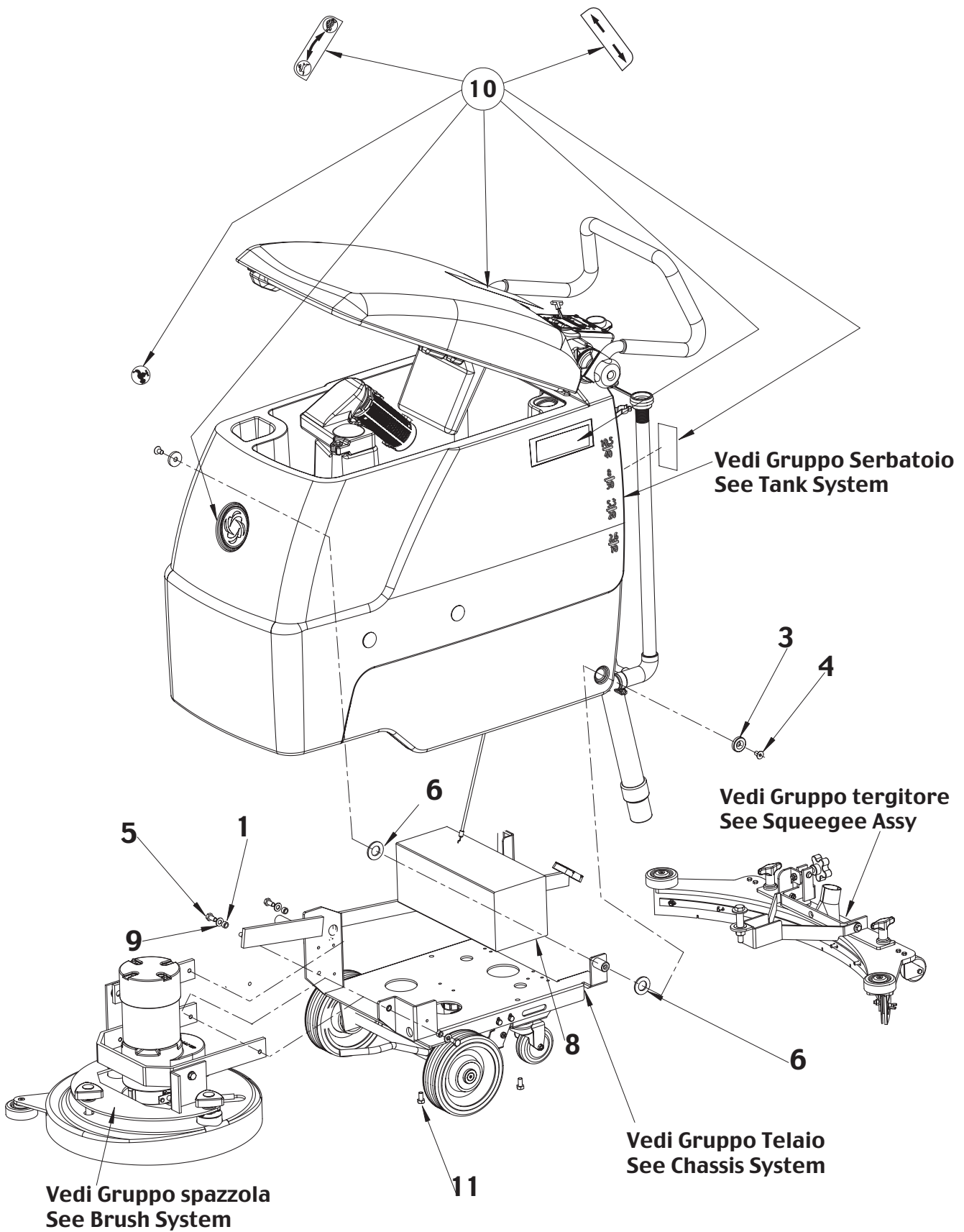
- \* Use the 8,9 or 10 digit numbers from the "Ref. No." columns in this parts list.
- \* Specify the model and serial number of the machine.
- \* Use the space below to record the model and the serial number for future reference.

Model \_\_\_\_\_ Serial No. \_\_\_\_\_

**\* = Optional**

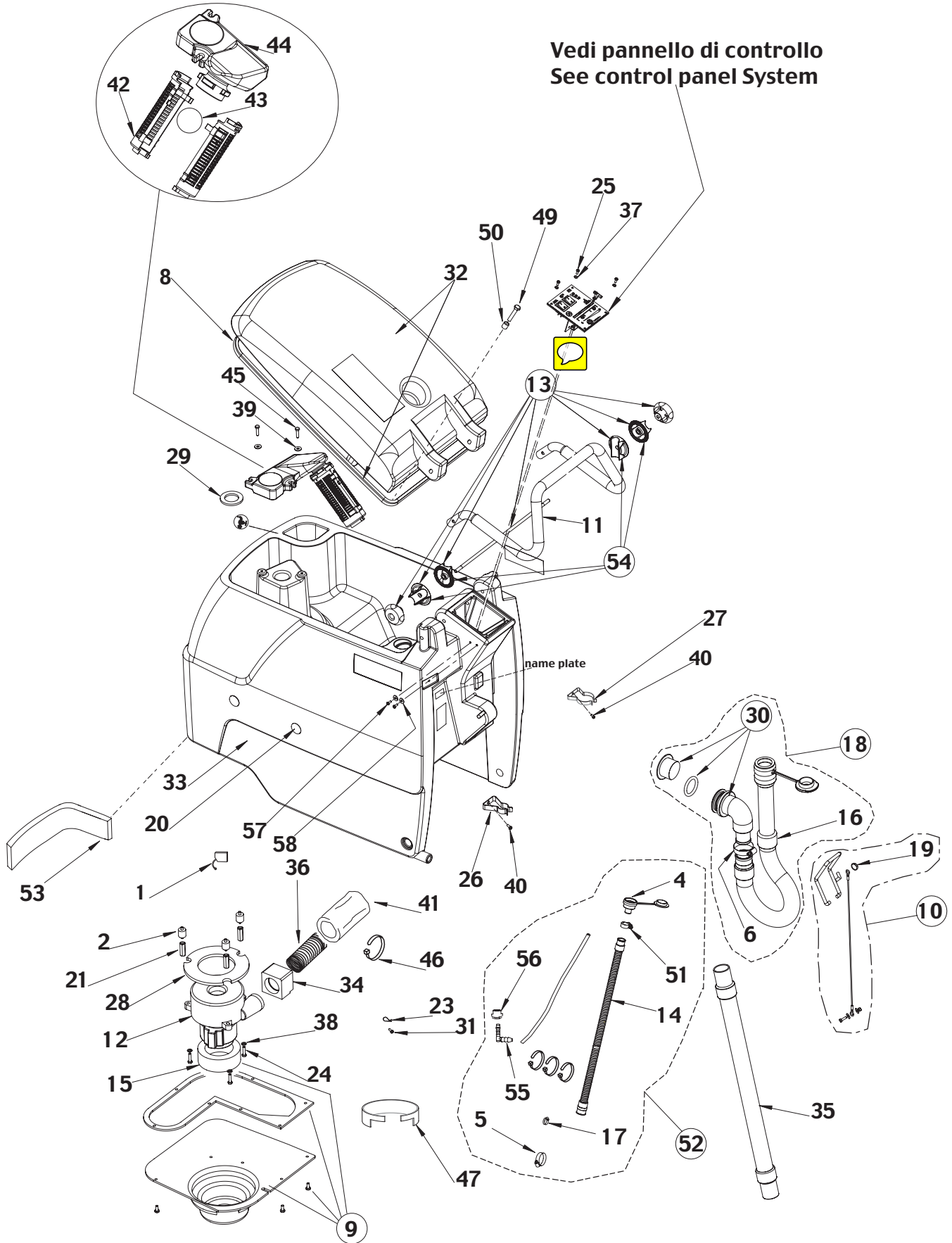
**# = New Item no.**

**0 = Not shown**



<b>2003-09</b>	<b>VISTA GENERALE / GENERAL VIEW</b>	<b>BOOK E</b>		
2006-12	CA 430S / 510S	<b>E</b>	<b>4.9.1</b>	<b>3</b>

<b>Pos Item Bild Rép</b>	<b>Codice Ref. No. Art. Nr. Réf. No</b>	<b>Quantità Qty Menge Qté</b>	<b>Descrizione</b>	<b>Description</b>	<b>Beschreibung</b>	<b>Désignation</b>
1#	L08812325	3	Distanziale	Spacer	Abstandstueck	Entretoise
3#	L08812392	2	Distanziale per serbat.	Spacer for tank	Abstandstueck fuer Tank	Entretoise
4	145 5033 000	2	Vite M8x20	Screw M8x20	Schraube	Vis
5#	L08274300	3	Vite es. M8x16	Screw hex hd M8x16	Schraube	Vis
6#	L08812439	2	Rondella piana nylon	Washer flat nylon	Beilagscheibe	Rondelle
8#	L08812927	1	Contrappeso	Weight	Gewicht	Poids
9#	L08085700	3	Rondella piana	Washer flat	Beilagscheibe	Rondelle
10#	L08603906	1	Kit adesivi CA 430	Kit decals CA 430	Zusatz Klebstreifen CA 430	Kit adhesifs CA 430S
10#	L08603907	1	Kit adesivi CA 510	Kit decals CA 510	Zusatz Klebstreifen CA510	Kit adhesifs CA 510S

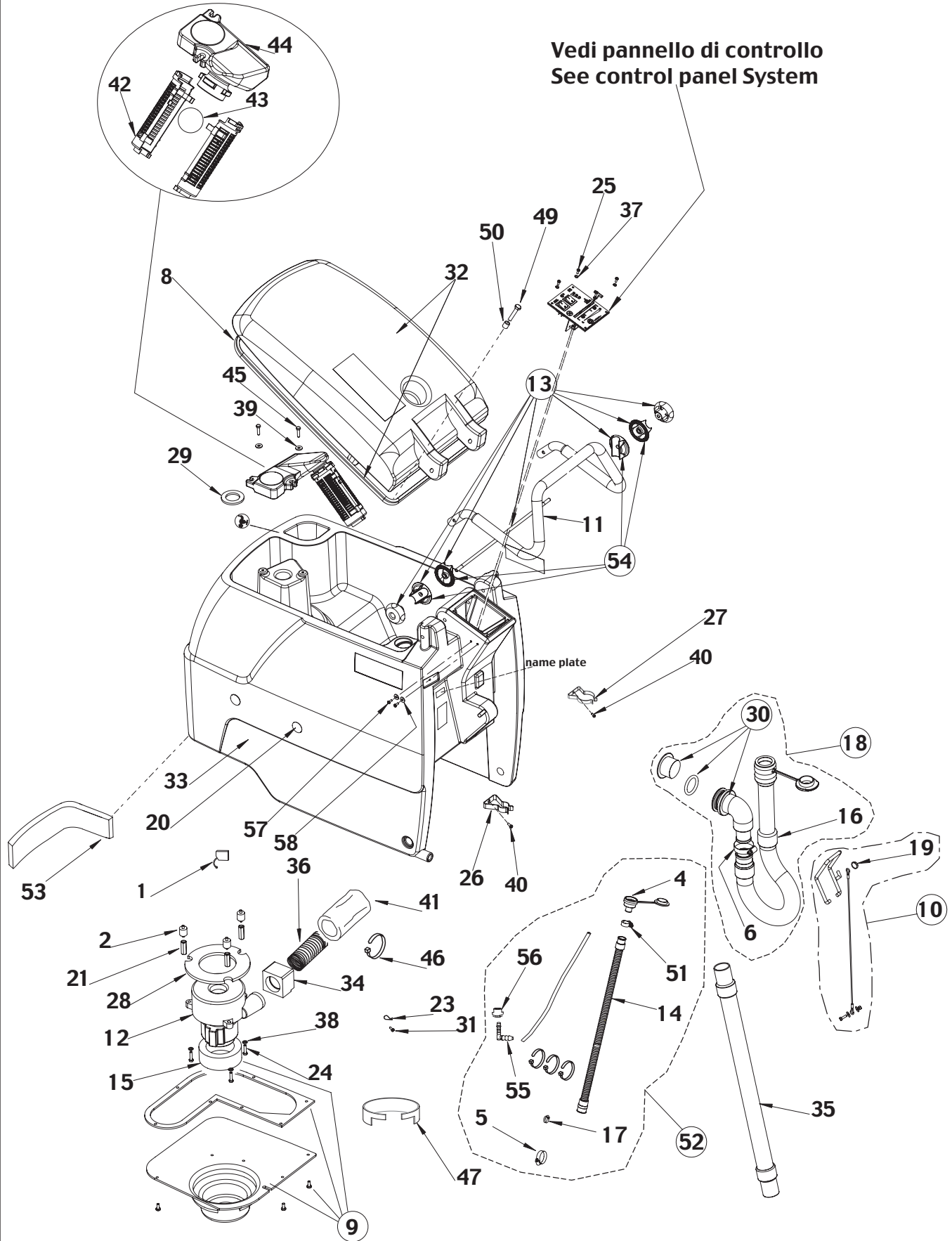


2003-09	GRUPPO SERBATOIO / TANK SYSTEM		BOOK E		
2006-12	CA 430S / 510S		E	4.9.1	5

Pos Item Bild Rép	Codice Ref. No. Art. Nr. Réf. No	Quantità Qty Menge Qté	Descrizione	Description	Beschreibung	Désignation
1c#	L08603892	2	Carboncini motore asp.	Carbon brush	Kohlenbuerste	Charbon
1d	909 5073 000	1	Kit carboncini (2pz)	Carbon brush kit	Kohlenbuerste	Charbon
2#	L08812462	3	Antivibrante M6	Vibration damping	Schwingungsdaempfer	Silent bloc
4#	L08603868	1	Chiusura tubo acqua pul.	Closure solution hose	Verschluß frisch.Wasser	Bouchon
5#	L08236100	1	Fascetta stringitubo	Clamp	Passring	Collier
6	145 0543 000	1	Fascetta stringitubo	Clamp	Passring	Collier
8#	L08603836	1	Guarnizione coperchio	Gasket, tank cover	Dichtung	Joint
9#	L08603858	1	Kit isolante acustico	Kit acoustic cover cpl	Zusatz Schalldampfend	Kit panneau antibruit
10a#	L08603859	1	Kit leva sollevamento terg.	Squeegee lift.lever kit	Zusatz Saugd.Aufhebung	Kit soulèvement du suc.
10b#	L08603970	1	Kit leva sollevamento terg.	Squeegee lift.lever kit	Zusatz Saugd.Aufhebung	Kit soulèvement du suc.
11#	L08812901	1	Maniglione comando	Handle bar	Fuehrungsbuegel	Poignée de conduite
12e#	L08603911	1	Kit motore asp.+connettore	Kit suct.motor w/connector	Satz Saugmotor+Stecker	Kit moteur asp.-prise
13#	L08603860	1	Kit regolazione maniglione	Handle adjusting kit	Zusatz Fuehrungsbug.regler	Kit registre manche cond.
14	909 5515 000	1	Tubo acqua pulita	Solution hose	Frischwasserschlauch	Tuyau eau fraiche
15#	L08812977	1	Tubo isolante motore asp.	Acoustic insulation	Isolierschlauch	Tube isolant
16#	L08812869	1	Tubo scarico acqua	Drain hose	Abwasserschlauch	Tuyau de vidage
17	145 8582 000	1	Fascetta	Clamp	Passring	Collier
18#	L08812873	1	Kit tubo acqua sporca	Kit drain hose	Zusatzabwasserschlauch	Kit flexib.de vidage
19#	L08603935	1	Copri perno ø8	Shaft retainer ø8	Stiftdeckung	Anneau ressort
20#	L08812457	4	Tappo per serbatoio	Cap, tank locking	Pfropfen	Bouchon
21#	L08812468	3	Distanziale esagonale	Spacer	Abstanstueck	Entretoise
23#	L08239900	3	Fascetta fissacablaggio	Clamp	Passring	Collier
24#	L08232600	3	Vite M6x25	Screw M6x25	Schraube	Vis
25#	L08603668	4	Vite 4x14 autofilettante	Screw 4x14 thd forming	Schraube	Vis
26#	L08812966	1	Fascetta fissatubo ø 25	Clamp ø25 SS	Passring	Collier
27#	L08812967	1	Fascetta fissatubo ø 50	Clamp ø50 SS	Passring	Collier
28#	L08602410	1	Guarnizione motore asp.	Gasket suction motor	Dichtung	Joint
29#	L08812968	1	Guarnizione adesiva	Gasket	Dichtung	Joint
30#	L08812874	1	Kit manicotto	Kit elbow	Zusatzelbogen	Kit manchon
31#	L08603041	3	Vite 5x10	Screw	Schraube	Vis
32#	L08812897	1	Coperchio serb.con guarniz.	Tank lid cpl. with gasket	Tankdeckel mit Dichtung	Couvercle reser.avec joint
33#	L08812896	1	Serbatoio	Tank	Tank	Reservoir
34#	L08812318	1	Manicotto mot. aspirazione	Acoustic insulation	Muffe	Manchon
35f	909 5582 000	1	Tubo aspirazione flessibile	Suction Hose	Saugschlauch	Flexible d'aspiration
36	909 5704 000	1	Tubo superflex L=390	Flexible hose L=390	Schlauch	Tuyau flexible
37	145 0441 000	4	Rondella piana inox	Washer, flat SS	Beilagscheibe	Rondelle
38#	L08602395	3	Rondella piana	Washer, flat	Beilagscheibe	Rondelle
39#	L08603689	2	Rondella piana	Washer, flat	Beilagscheibe	Rondelle
40	145 8095 000	2	Vite M5x12 inox	Screw M5x12 SS	Schraube	Vis
41	145 8589 000	1	Tubo fonoassorbente	Acoustic ins. hose	Schalldampfendschlauch	Tuyau antibruit
42#	L08812259	2	Contentitore galleggiante	Float cage	Schwimmer kpl.	Systeme de flotteur
43#	L08812373	1	Galleggiante	Floating ball	Ball	Flotteur
44#	L08812926	1	Porta galleggiante	Support, float cage	Schwimmer halter	Support flotteur
45#	L08603918	2	Vite es. 6x25 inox	Screw hex hd 6x25 SS	Schraube	Vis
46	145 0541 000	1	Fascetta	Clamp	Passring	Collier
47	909 5042 000	1	Fonoassorbente per mot.	Acoustic insulation	Schalldampfend f. mot.	Isolant antibruit
49#	L08603681	1	Vite fissa serbatoio 6x80	Screw tank fixing 6x80	Schraube Tank fixierung	Vis pour fixation reservoir
50#	L08812449	1	Distanziale	Spacer	Abstandstueck	Entretoise

- (a) L08603859 valid before serial number 030300440 before ODM 1391 - (b) L08603970 valid starting from serial number 030300440 - (c) L08603892 valid for old vacuum motor L08812593 before serial number 033809183 - (d) 909 5073 000 valid for new vacuum motor starting from serial number 033809183 - (e) refer to TSB IT 2003-012 - (f) Modification implemented to avoid brakes and improve flexibility of the hose in order to allow wide movements of the squeegee TSB IT 2004-017 BA 430S D serial number 042707834 - BA 510S D 042707853

L08812945(4)2006-12

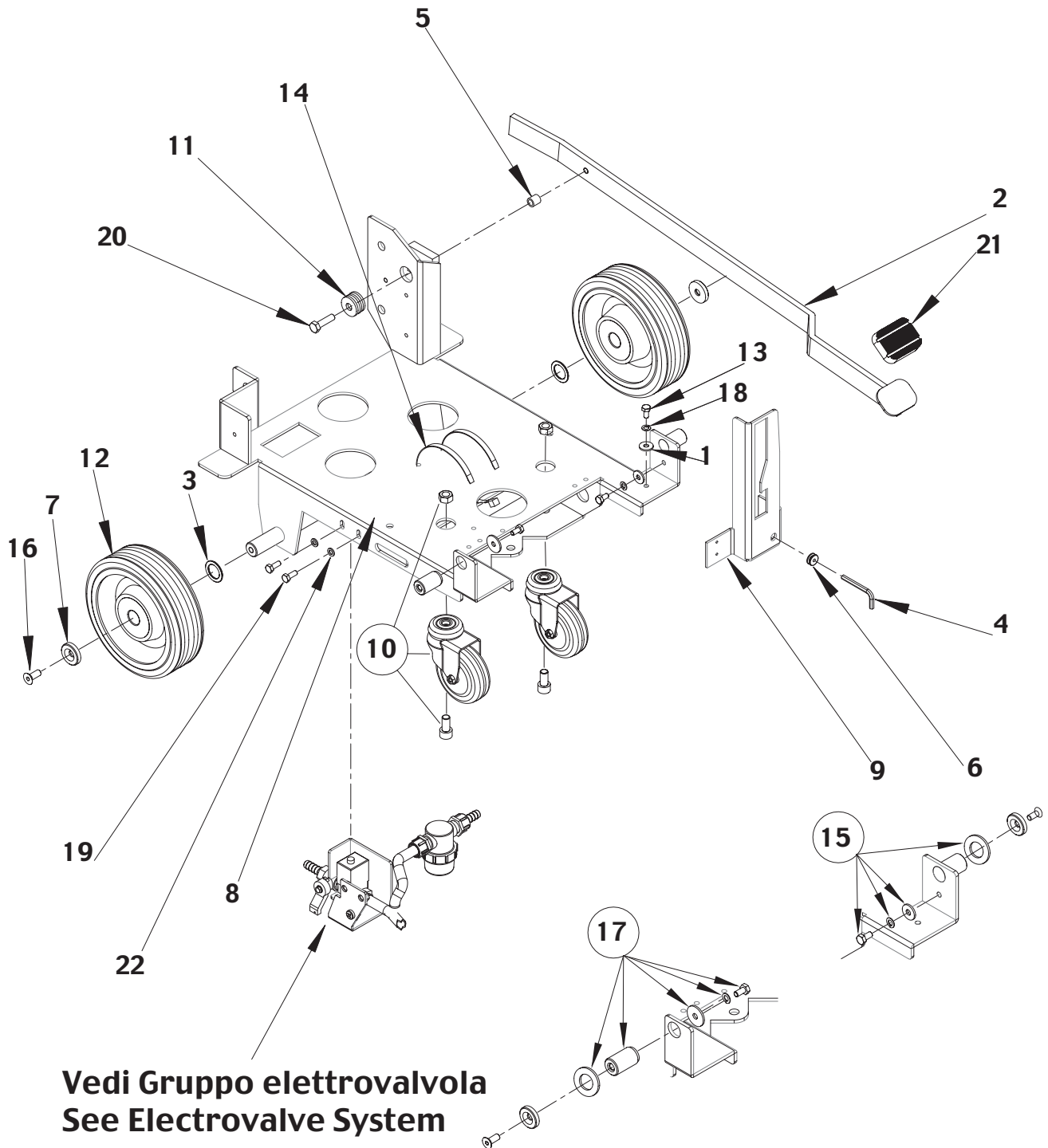




2003-09	<b>GRUPPO SERBATOIO / TANK SYSTEM</b>	<b>BOOK E</b>		
2006-12	<b>CA 430S / 510S</b>	<b>E</b>	<b>4.9.1</b>	<b>7</b>

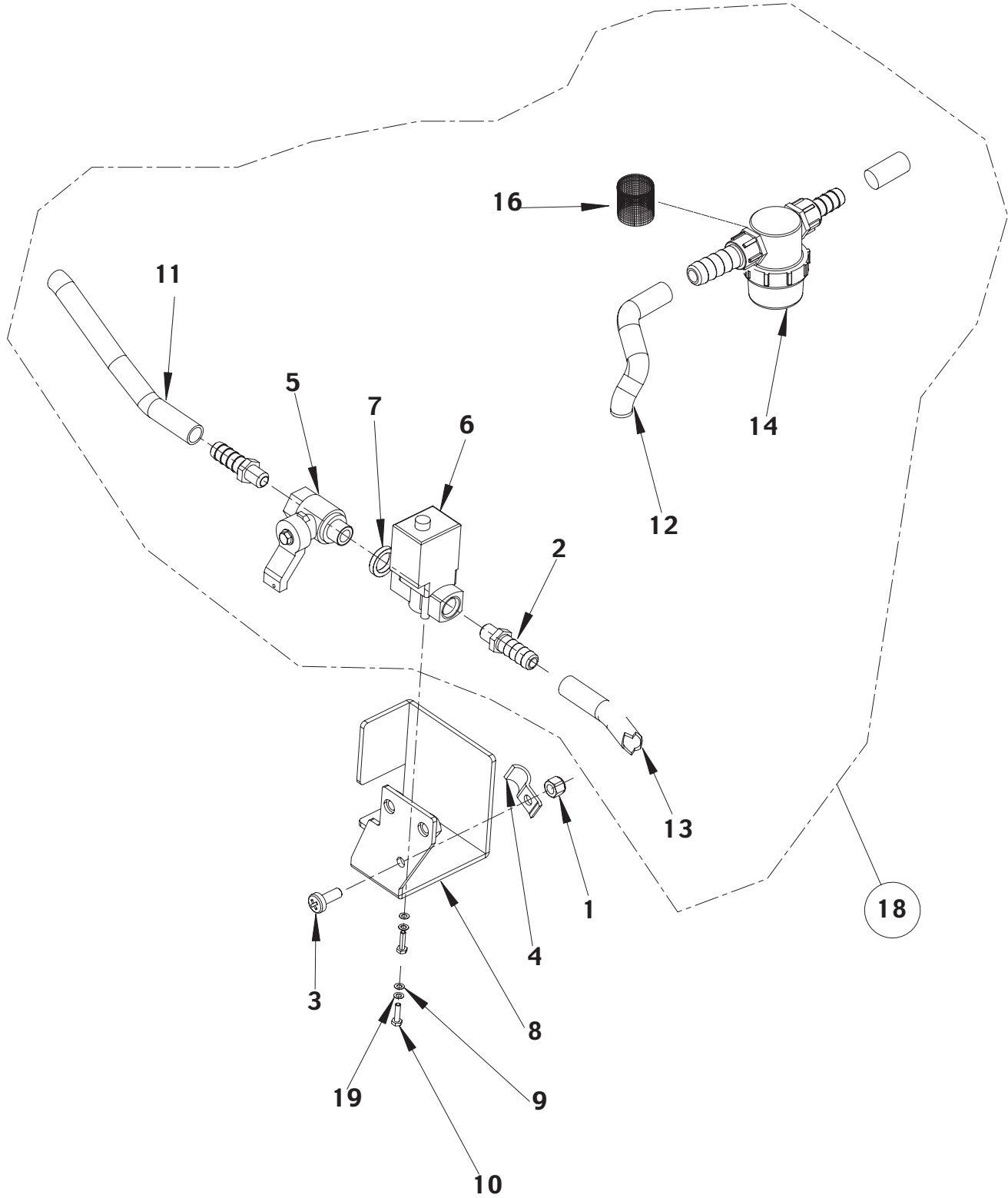
Pos Item Bild Rép	Codice Ref. No. Art. Nr. Réf. No	Quantità Qty Menge Qté	Descrizione	Description	Beschreibung	Désignation
51#	L08603916	1	Fascetta	Clamp	Passring	Collier
52g	909 5527 000	1	Kit tubo acqua pulita	Kit solution hose	Frischwasserschlauch Satz	Kit tuyau eau propre
53#	L08603910	1	Guarnizione fonoassorb.	Insulation gasket	Schalldampfung Dichtung	Joint isolant antibruit
54	909 5099 000	1	Kit regolatore maniglione	Handle adjuster kit	Zusatz Fuehrungsbug.regler	Kit regulateur manche cond.
55	909 5285 000	1	Raccordo 90°	Elbow 90°	Elbogen	Raccord
56	909 5286 000	1	Guarnizione	Gasket	Dichtung	Joint
57	146 0770 000	2	Vite TE M5x16 inox	Screw TE M5x16 SS	Schraube	Vis
58	145 9955 000	2	Rondella piana 5x10 inox	Washer, flat 5x10 SS	Beilagscheibe	Rondelle

- (g) New solution hose: kit which replaces the old one L08603903, **TSB IT 2004-009**, modified to avoid interferences between squeegee suction hose and side solution hose - BA 430S D starting from serial number 041805591 - BA 510S 041805595 - See Installation Instruction 909 5528 000 - New solution hose 909 5515 000 is valid for scrubbers BA 430S D BA 430S D starting from serial number 041805591 - BA 510S 041805595 only.



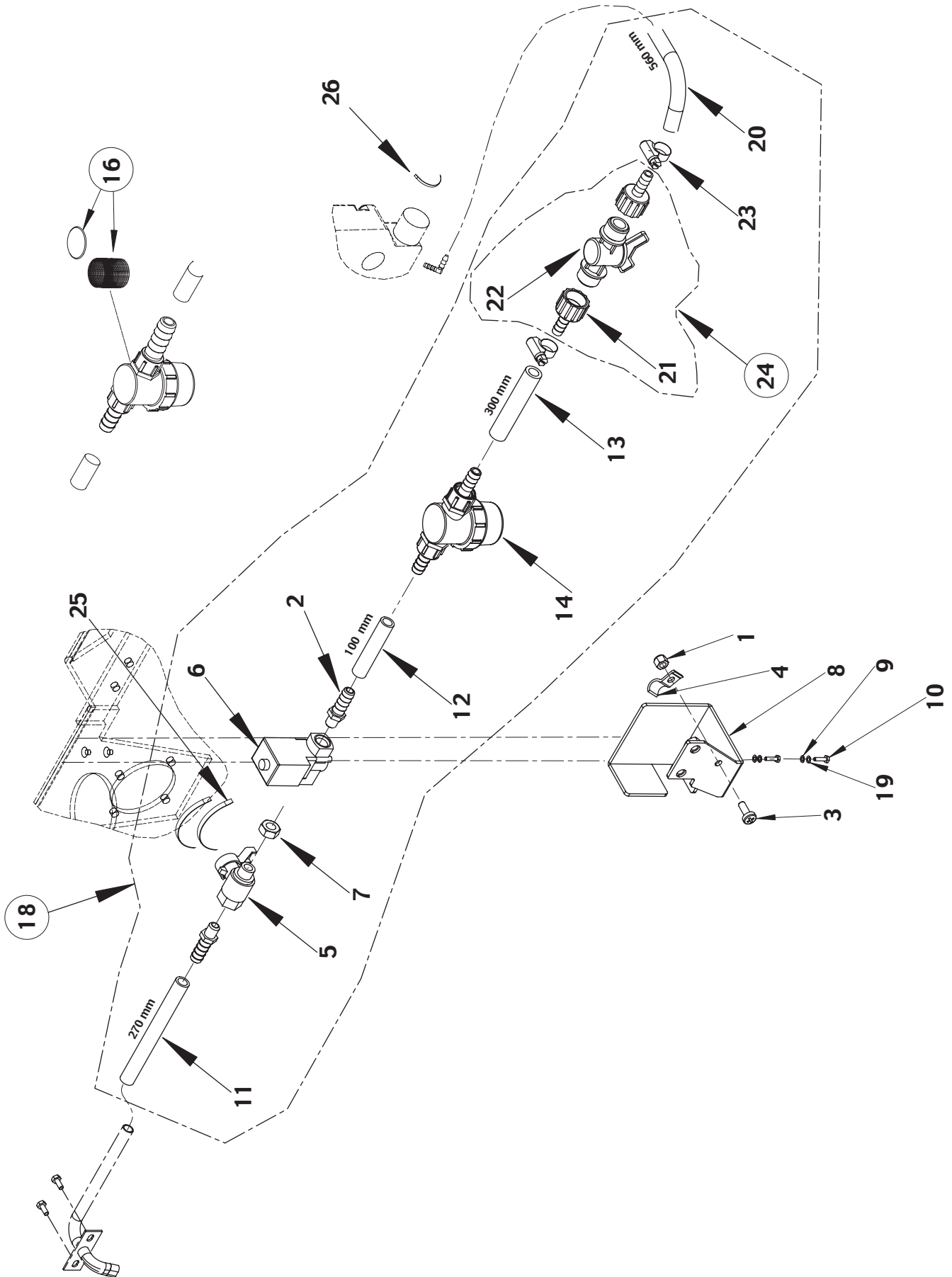
2003-09	<b>GRUPPO TELAIO / CHASSIS SYSTEM</b>		<b>BOOK E</b>		
2006-12	CA 430S / 510S		<b>E</b>	<b>4.9.1</b>	<b>9</b>

Pos Item Bild Rép	Codice Ref. No. Art. Nr. Réf. No	Quantità Qty Menge Qté	Descrizione	Description	Beschreibung	Désignation
1#	L08228600	2	Rondella piana	Washer flat	Beilagscheibe	Rondelle
2#	L08812925	1	Pedale sollevamento spaz.	Pedal, brush lifting	Pedal Buerste aufhebung	Pedal
3#	L08812936	2	Distanziale ruota anteriore	Spacer	Abstandstueck	Entretoise
4#	L08063800	1	Chiave esagonale 5	Key	Schluessel	Cle
5#	L08812324	1	Distanziale	Spacer	Abstanstueck	Entretoise
6#	L08812388	1	Passacavo	Cable guide	Kabelfuehrung	Guide cable
7#	L08812392	2	Distanziale per serbatoio	Spacer	Abstandstueck	Entretoise
8a	909 5152 000	1	Telaio	Chassis	Chassis	Chassis
9#	L08812893	1	Guida pedale	Guide	Pedal Fuehrung	Pedal guide
10#	L08603861	1	Kit ruota pivoet. posteriore	Kit castor wheel rear	Zusatz Rad	Kit roue
11#	L08085700	3	Rondella	Washer	Beilagscheibe	Rondelle
12#	L08812939	2	Ruota anteriore	Wheel front	Rad vorn	Roue avant
13#	L08326100	2	Vite es. M6x12	Screw hex hd M6x12	Schraube	Vis
14	145 0541 000	2	Fascetta	Clamp	Passring	Collier
15#	L08603862	1	Kit supporto serbatoio dx	Kit tank support right	Zusatz Tankbefestig. rechts	Kit support reserv. droite
16	145 5033 000	2	Vite M8x20	Screw M8x20	Schraube	Vis
17#	L08603863	1	Kit supporto serbatoio sx	Kit tank support left	Zusatz Tankbefestig. links	Kit support reserv. gauche
18	145 9228 000	2	Rondella elastica sp.	Washer	Beilagscheibe	Rondelle
19	145 9261 000	2	Vite esagonale M6x16	Screw hex hd M6x16	Schraube	Rondelle
20#	L08367300	1	Vite TE M8x25	Screw TE M8x25	Schraube	Vis
21	145 8478 000	1	Copripedale in gomma	Pedal cover	Pedalmantel	Housse pedal
22	145 9128 000	2	Rondella piana	Washer flat	Beilagscheibe	Rondelle



2003-09	<b>GRUPPO ELETTROVALVOLA/ SOLUTION SYSTEM</b>	<b>BOOK E</b>		
2006-12	<b>CA 430S / 510S before serial number 032305758</b>	<b>E</b>	<b>4.9.1</b>	<b>11</b>

Pos Item Bild Rép	Codice Ref. No. Art. Nr. Réf. No	Quantità Qty Menge Qté	Descrizione	Description	Beschreibung	Désignation
1#	L08361400	1	Dado es. M6 autobloc.	Nut hex M6 selflock.	Mutter	Ecrou
2#	L08601624	2	Portagomma 1/4	Rubber holder 1/4	Schlauch halter	Raccord
3	145 9261 000	1	Vite M6x16	Screw m6x16	Schraube	Vis
4#	L08812352	1	Cavalloetto fermacavo	Clamp	Verbindungsbruecke	Etrier
5#	L08812427	1	Rubinetto 1/4 con leva	Ball grip thread	Hahn	Robinet
6#	L08812913	1	Elettrovalvola 230V 50-60Hz	Solenoid valve 230V 50-60Hz	Elektroventil 230V 50-60Hz	Electrovanne 230V
7#	L08812257	1	Dado	Nut	Mutter	Ecrou
8#	L08812974	1	Staffa supporto elettrov.	Solenoid valve bracket	Buegel	Support
9#	L08812986	2	Rondella spaccata	Washer	Beilagscheibe	Rondelle
10	145 9117 000	2	Vite es. M3x12	Screw hex hd M3x12	Schraube	Vis
11#	L08603854	1	Tubo spiralato ø10 270 mm	Hose ø10 270 mm	Schlauch	Tuyau
12#	L08603855	1	Tubo spiralato ø10 560 mm	Hose ø10 560 mm	Schlauch	Tuyau
13#	L08603853	1	Tubo spiralato ø10 150 mm	Hose ø10 150 mm	Schlauch	Tuyau
14	909 5151 000	1	Kit filtro completo	Kit filter complete	Zusatz filter kpl	Kit filter complet
16#	L08603893	1	Kit rete filtro con guarniz.	Kit net filter with gasket	Zusatz filter mit Dicht.	Kit filter avec joint
18#	L08603899	1	Kit elettrovalvola compl.	Solenoid valve kit compl.	Zusatz Magnetventil kpl	Kit electrovanne complet
19#	L08812097	2	Rondella	Washer	Beilagscheibe	Rondelle



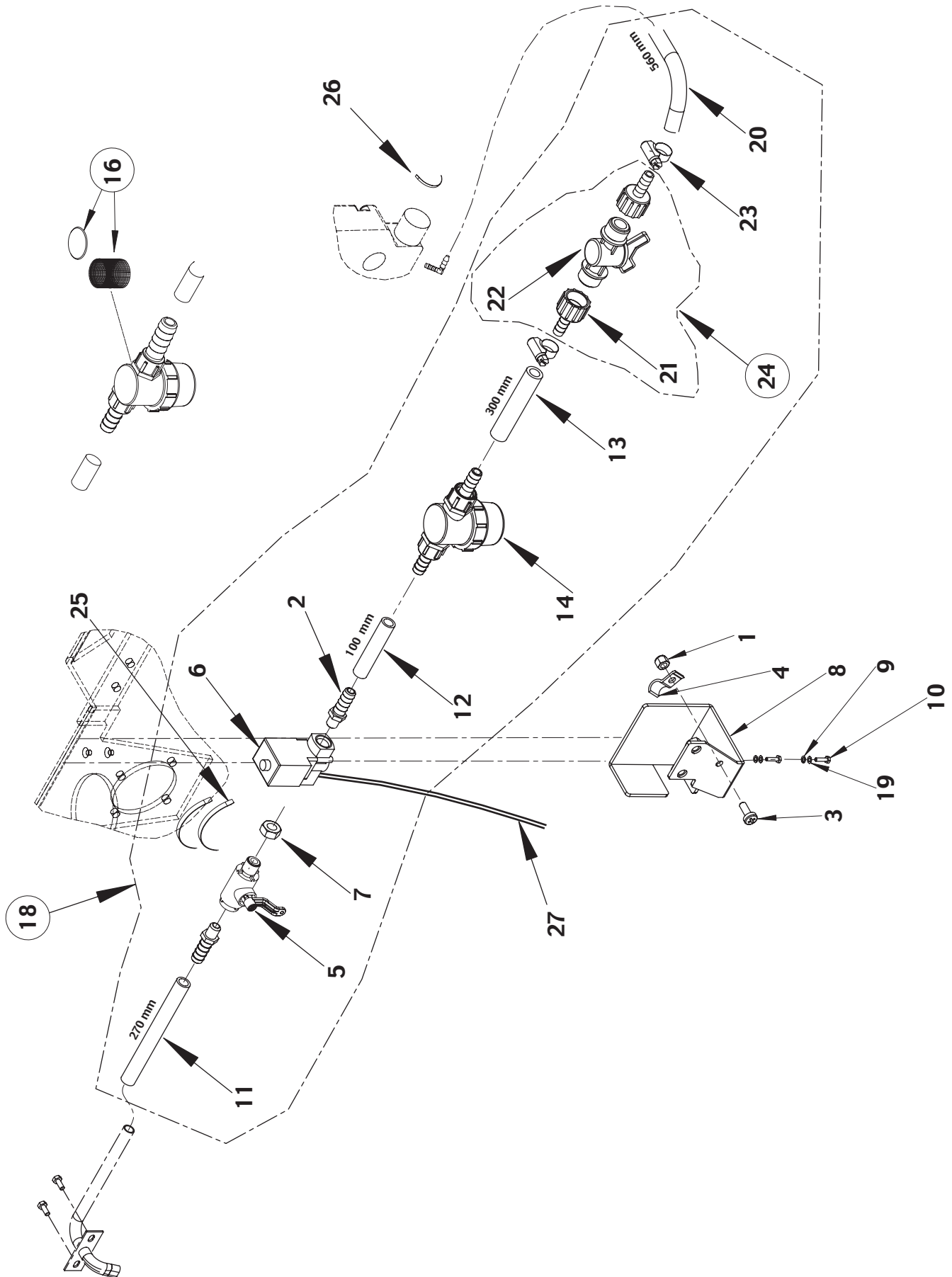
2003-09	<b>GRUPPO ELETTROVALVOLA/ SOLUTION SYSTEM</b>	<b>BOOK E</b>		
2006-12	<b>CA 430S / 510S from serial number 032305758</b>	<b>E</b>	<b>4.9.1</b>	<b>13</b>

Pos Item Bild Rép	Codice Ref. No. Art. Nr. Réf. No	Quantità Qty Menge Qté	Descrizione	Description	Beschreibung	Désignation
1#	L08361400	1	Dado es. M6 autobloc.	Nut hex M6 selflock.	Mutter	Ecrou
2#	L08601624	2	Portagomma 1/4	Rubber holder 1/4	Schlauch halter	Raccord
3	145 9261 000	1	Vite M6x16	Screw m6x16	Schraube	Vis
4#	L08812352	1	Cavallotto fermacavo	Clamp	Verbindungsbruecke	Etrier
5#	L08812427	1	Rubinetto 1/4 con leva	Ball grip thread	Hahn	Robinet
6#	L08812913	1	Elettrovalvola 230V 50-60Hz	Solenoid valve 230V 50-60Hz	Elektroventil 230V 50-60Hz	Electrovanne 230V
7#	L08812257	1	Dado	Nut	Mutter	Ecrou
8#	L08812974	1	Staffa supporto elettrov.	Solenoid valve bracket	Buegel	Support
9#	L08812986	2	Rondella spaccata	Washer	Beilagscheibe	Rondelle
10	145 9117 000	2	Vite es. M3x12	Screw hex hd M3x12	Schraube	Vis
11#	L08603854	1	Tubo spiralato ø10 270 mm	Hose ø10 270 mm	Schlauch	Tuyau
12	909 5026 000	1	Tubo spiralato ø10 100 mm	Hose ø10 100 mm	Schlauch	Tuyau
13	909 5025 000	1	Tubo spiralato ø10 300 mm	Hose ø10 300 mm	Schlauch	Tuyau
14	909 5151 000	1	Kit filtro completo	Kit filter complete	Zusatz filter kpl	Kit filter complet
16#	L08603893	1	Kit rete filtro con guarniz.	Kit net filter with gasket	Zusatz filter mit Dicht.	Kit filter avec joint
18a#	L08603899	1	Kit elettrovalv. senza rubinetto	Solenoid valve kit w/o valve	Zusatz Magnetventil ohne Hahn	Kit electrovanne sans robinet
18b	909 5033 000	1	Kit elettrovalv. con rubinetto	Solenoid valve kit w. valve	Zusatz Magnetventil mit Hahn	Kit electrovanne avec robinet
19#	L08812097	2	Rondella	Washer	Beilagscheibe	Rondelle
20#	L08603855	1	Tubo spiralato ø10 560 mm	Hose ø10 560 mm	Schlauch	Tuyau
21	909 5022 000	2	Portagomma	Rubber older ø11	Gummihalter	Raccord
22	909 5023 000	1	Rubinetto	Valve	Hahn	Robinet
23	145 8582 000	4	Fascetta	Clamp	Passring	Collier
24	909 5787 000	1	Kit rubinetto portagomma	Valve with rubber holder kit	Satz Hahn mit Gummihalter	Kit robinet avec raccore
25	145 0524 000	2	Fascetta	Passring	Passring	Collier
26	145 0541 000	1	Fascetta	Passring	Passring	Collier

- (a) kit to be kept for scrubbers before serial number 032305758 - (b) kit to be used for scrubbers after serial number 032305758

TSB IT 2003-007

L08812945(4)2006-12



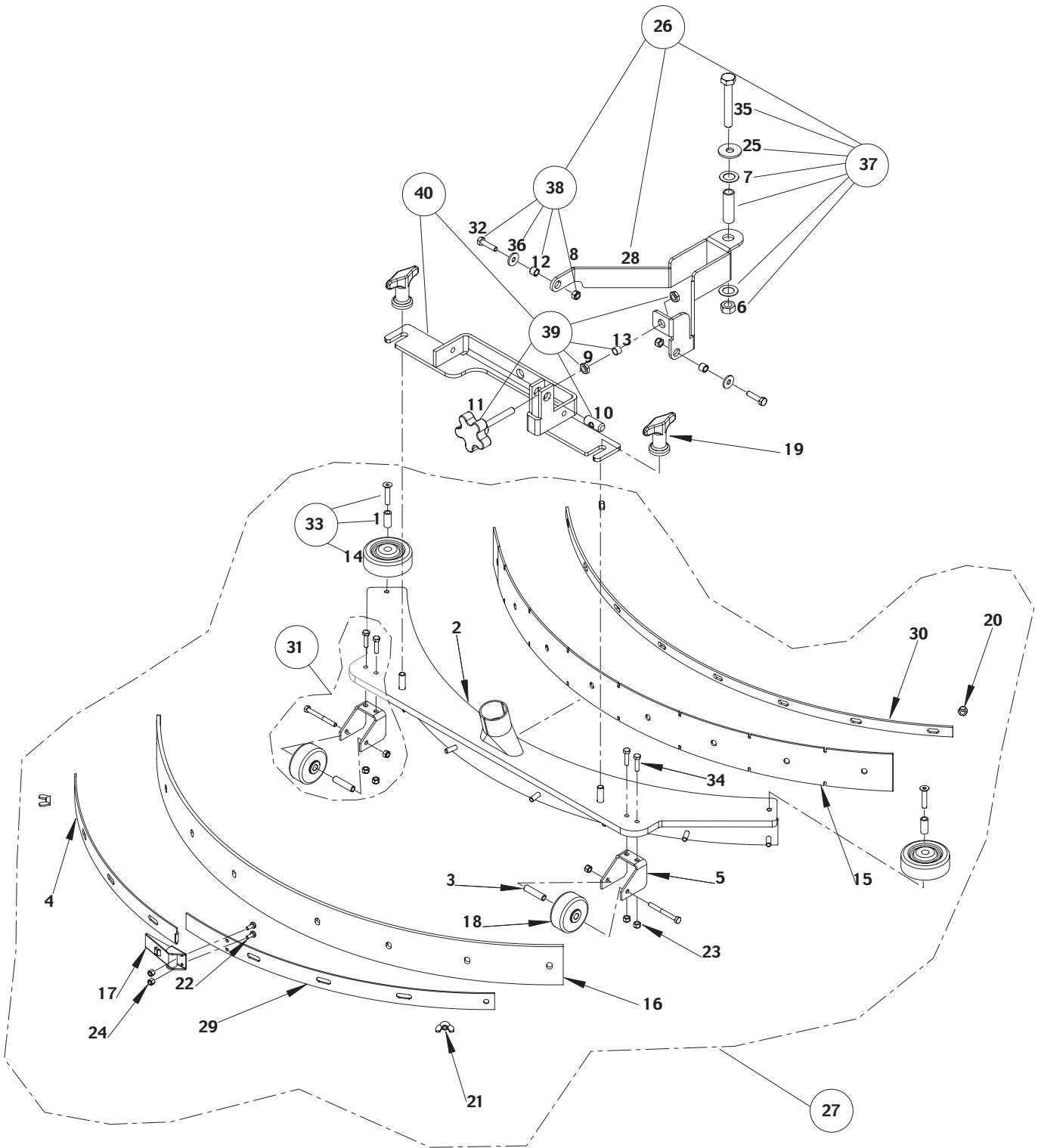


Pos Item Bild Rép	Codice Ref. No. Art. Nr. Réf. No	Quantità Qty Menge Qté	Descrizione	Description	Beschreibung	Désignation
1#	L08361400	1	Dado es. M6 autobloc.	Nut hex M6 selflock.	Mutter	Ecrou
2#	L08601624	2	Portagomma 1/4	Rubber holder 1/4	Schlauch halter	Raccord
3	145 9261 000	1	Vite M6x16	Screw m6x16	Schraube	Vis
4#	L08812352	1	Cavallotto fermacavo	Clamp	Verbindungsbruecke	Etrier
5	909 5627 000	1	Rubinetto 1/4 con leva	Ball grip thread	Hahn	Robinet
6#	L08812913	1	Elettrovalvola 230V 50-60Hz	Solenoid valve 230V 50-60Hz	Elektroventil 230V 50-60Hz	Electrovanne 230V
7#	L08812257	1	Dado	Nut	Mutter	Ecrou
8#	L08812974	1	Staffa supporto elettrov.	Solenoid valve bracket	Buegel	Support
9#	L08812986	2	Rondella spaccata	Washer	Beilagscheibe	Rondelle
10#	L08603895	2	Vite es. M3x12 inox	Screw hex hd M3x12 SS	Schraube	Vis
11#	L08603854	1	Tubo spiralato ø10 270 mm	Hose ø10 270 mm	Schlauch	Tuyau
12	909 5026 000	1	Tubo spiralato ø10 100 mm	Hose ø10 100 mm	Schlauch	Tuyau
13	909 5025 000	1	Tubo spiralato ø10 300 mm	Hose ø10 300 mm	Schlauch	Tuyau
14	909 5151 000	1	Kit filtro completo	Kit filter complete	Zusatz filter kpl	Kit filter complet
16#	L08603893	1	Kit rete filtro con guarniz.	Kit net filter with gasket	Zusatz filter mit Dicht.	Kit filter avec joint
18a	909 5033 000	1	Kit elettrovalv. con rubinetto	Solenoid valve kit w. valve	Zusatz Magnetventil mit Hahn	Kit electrovanne avec robinet
18b	909 5657 000	1	Kit elettrovalv. con rubinetto	Solenoid valve kit w. valve	Zusatz Magnetventil mit Hahn	Kit electrovanne avec robinet
19#	L08812097	2	Rondella	Washer	Beilagscheibe	Rondelle
20#	L08603855	1	Tubo spiralato ø10 560 mm	Hose ø10 560 mm	Schlauch	Tuyau
21	909 5022 000	2	Portagomma	Rubber holder ø11	Gummihalter	Raccord
22	909 5023 000	1	Rubinetto	Valve	Hahn	Robinet
23	145 8582 000	4	Fascetta	Clamp	Passring	Collier
24	909 5787 000	1	Kit rubinetto portagomma	Valve with rubber holder kit	Satz Hahn mit Gummihalter	Kit robinet avec raccord
25	145 0524 000	2	Fascetta	Passring	Passring	Collier
26	145 0541 000	1	Fascetta	Passring	Passring	Collier
27#	L08812914	1	Cavo elettrovalvola	Cable	Kabel	Cable

- (a) kit to be kept for scrubbers after serial number 032305758 which replaces the previous code L08603899

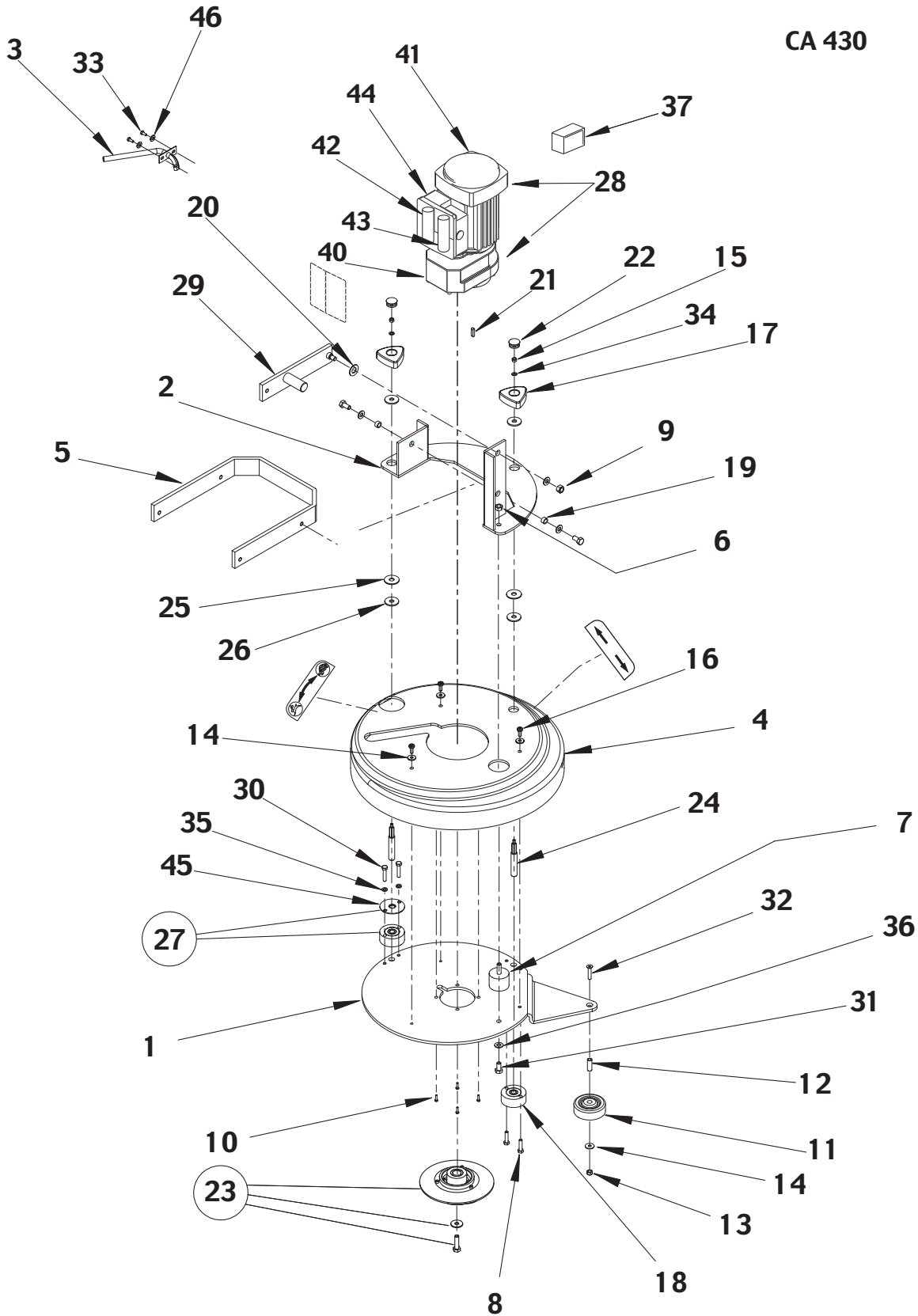
- (b) kit with new Ball grip thread to be used from serial number 0444012177

TSB IT 2004-019



2003-09	<b>GRUPPO TERGITORE / SQUEEGEE ASSEMBLY</b>		<b>BOOK E</b>		
2006-12	CA 430S / 510S		<b>E</b>	<b>4.9.1</b>	<b>17</b>

Pos Item Bild Rép	Codice Ref. No. Art. Nr. Réf. No	Quantità Qty Menge Qté	Descrizione	Description	Beschreibung	Désignation
1#	L08812937	2	Distanziale	Spacer	Abstandstueck	Entretoise
2#	L08603676	1	Corpo tergitore	Squeegee complete	Saugduese kpl.	Embochoure complete
3#	L08812948	2	Distanziale	Spacer	Abstandstueck	Entretoise
4#	L08603670	1	Bandella flap post.sx	Rear strap for latch	Metalleiste	Longeron
5#	L08603666	2	Supporto ruota terg.	Support squeegee wheel	Saugradhalter	Support roule d'aspir.
6	145 4518 000	1	Dado autobloccante M10	Nut	Mutter	Ecrou
7#	L08238300	2	Rondella piana	Washer flat	Beilagscheibe	Rondelle
8#	L08361400	2	Dado	Nut	Mutter	Ecrou
9#	L08600317	2	Dado	Nut	Mutter	Ecrou
10#	L08601509	1	Perno supporto terg.	Pin	Stift	Axe
11#	L08601574	1	Volantino	Knob	Handrad	Molette
12#	L08601854	2	Distanziale	Spacer	Abstandstueck	Entretoise
13#	L08602422	1	Distanziale	Spacer	Abstandstueck	Entretoise
14#	L08602460	2	Ruota paracolpi	Bumper roller	Abweisrolle	Deflecteur
15#	L08602463	1	Gomma tergitore ant.	Squeegee blade front	Sauglippe vorn	Embouchure
16#	L08602468	1	Gomma tergitore post.	Squeegee blade rear	Sauglippe hinten	Embouchure
17#	L08603664	1	Gancio per tergitore	Latch for squeegee	Verriegelung	Verrouillage
18#	L08603665	2	Ruota in gomma	Rubber wheel	Rad	Rouelle
19#	L08603675	2	Volantino	Thumb nut	Handrad	Molette
20#	L08603682	6	Dado	Nut	Mutter	Ecrou
21	145 0461 000	2	Dado ad alette	Wing nut	Fluegelmutter	Ecrou a oreilles
22#	L08603684	2	Vite	Screw	Schraube	Vis
23#	L08603688	6	Dado	Nut	Mutter	Ecrou
24#	L08603685	2	Dado	Nut	Mutter	Ecrou
25#	L08604251	1	Rondella	Washer	Beilagscheibe	Rondelle
26#	L08603877	1	Kit supporto tergitore	Nozzle holder kit	Duesentraeger Satz	Kit support d'embochoure
27#	L08603878	1	Kit tergitore completo	Kit squeegee complete	Saugduesen kpl Satz	Kit embochoure complete
27*	909 5628 000	1	Kit tergitore completo inox	Kit squeegee complete SS	Saugduesen kpl Satz	Kit embochoure complete
28#	L08812935	1	Staffa	Bracket	Buegel	Support
29#	L08603669	1	Bandella	Rear strap for hook	Metalleiste	Longeron
30#	L08603672	1	Bandella	Blade fixer latch	Metalleiste	Longeron
31#	L08603879	1	Kit ruota tergitore	Kit squeegee wheel	Zusatz Saugduesenrad	Kit roue
32#	L08232600	2	Vite	Screw	Schraube	Vis
33#	L08603880	1	Kit ruota paracolpi	Kit squ.bumper roller	Zusatz Abweisrolle	kit deflecteur
34#	L08603687	4	Vite	Screw	Schraube	Vis
35	146 2163 000	1	Vite M10x70	Screw	Schraube	Vis
36#	L08228600	2	Rondella piana	Washer flat	Beilagscheibe	Rondelle
37#	L08812516	1	Kit fissaggio	Fixture kit	Zusatz Befestigung	Kit support
38#	L08812521	1	Kit fissaggio tergitore	Fixt.nozzle holder left/right kit	Zusatz Befestigung rech/link	Kit support droite/gauche
39#	L08812518	1	Kit viti di regolazione	Adjustment screw kit	Verstellschrauben Satz	Kit vis d'ajustage
40#	L08603876	1	Kit supporto tergitore	Nozzle holder kit	Duesentraeger Satz	Kit support d'embochoure
0#	L08603923	1	Kit ruota paracolpi	Bumper roller opt.kit	Zusatz Abweisrolle	Kit deflecteur



2003-09	GRUPPO SPAZZOLA / BRUSH SYSTEM		BOOK E	
2006-12	CA 430S		E	4.9.1 19

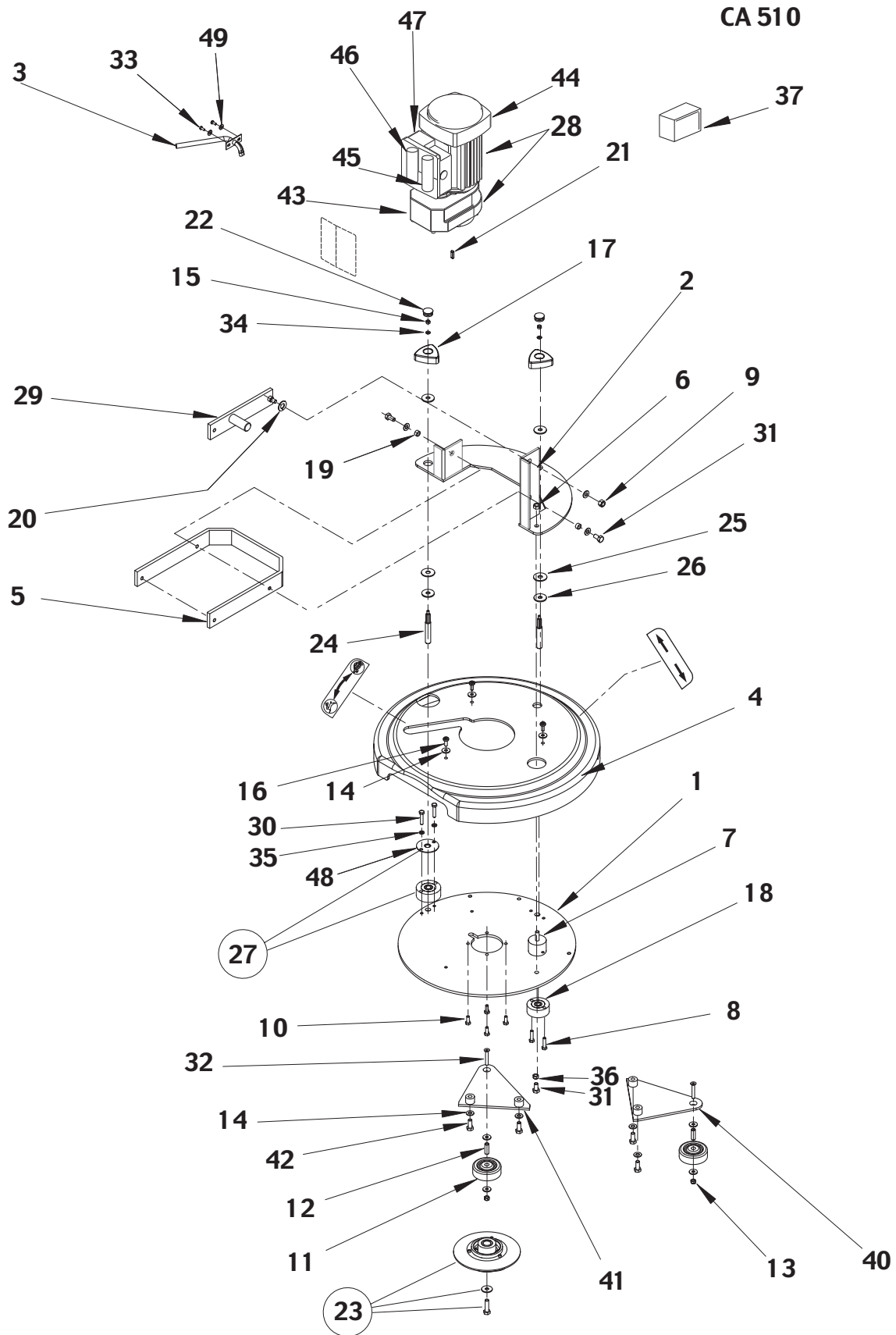
Pos Item Bild Rép	Codice Ref. No. Art. Nr. Réf. No	Quantità Qty Menge Qté	Descrizione	Description	Beschreibung	Désignation
1#	L08812889	1	Piastra porta spazzola	Plate, brush holder	Platte Buerstenhalter	Plaque de support
2#	L08812892	1	Piastra supp. spazz.	Plate	Platte	Plaque
3#	L08812921	1	Tubo in rame	Tube	Schlauch	Tuyau
4#	L08812922	1	Protezione spazzola	Brush cover	Buerstendeckel	Protection brosse
5#	L08812924	1	Telaio sollevamento spaz..	Frame brush lifting	Chassis	Chassis
6#	L08084900	1	Dado e. M8	Nut hex M8	Mutter	Ecrou
7#	L08219000	1	Antivibrante cilindrico M8	Vibration damping M8	Schwingungsdaempfer	Tampon
8#	L08232600	2	Vite TE M6x25	Screw hex hd M6x25	Schraube	Vis
9#	L08299800	1	Dado e, basso autob. M8	Nut selflocking M8	Mutter	Ecrou
10	145 9959 000	4	Vite TE M6x16	Screw hex hd M6x16	Schraube	Vis
11#	L08602460	1	Ruota paracolpi	Bumper roller	Abweisrolle	Deflecteur
12#	L08602461	1	Distanziale	Bushing	Abstandstueck	Entretoise
13#	L08361400	1	Dado e. basso autobl. M6	Nut hex selflocking M6	Mutter	Ecrou
14#	L08228600	4	Rondella piana 6x18	Washer flat 6x18	Beilagscheibe	Rondelle
15	145 9287 000	2	Dado e. autobloc. M5	Nut hex selflocking M5	Mutter	Ecrou
16#	L08812095	3	Vite TCTC 6x16	Screw 6x16	Schraube	Vis
17#	L08812203	2	Volantino piastra spaz.	Knob for brush plate	Fluegelmutter	Poignee
18#	L08812213	2	Distanziale piastra spaz.	Buffer for brush plate	Lasche	Plaquette
19#	L08812325	5	Distanziale	Bushing	Abstandstueck	Entretoise
20#	L08812361	1	Rondella	Washer	Beilagscheibe	Rondelle
21	145 9774 000	1	Chiavetta	Key	Passfeder	Goupille
22#	L08812426	2	Tappo per volantino	Cap for knob	Verschlußtopfen	Boulon
23#	L08812589	1	Kit supporto poligonale	Polygonal holder kit	Polygonaufnahme	Support polygonal
24#	L08812706	2	Perno fissaggio piastra spaz.	Dowel broom plate fixing	Stift	Axe
25#	L08812718	2	Rondella in gomma	Washer rubber	Beilagscheibe	Rondelle
26#	L08812719	4	Rondella piana 9x28	Washer flat 9x28	Beilagscheibe	Rondelle
27#	L08812780	1	Kit fissaggio piastra spaz..	Brush plate fixing kit	Zusatz Buerste fix.Lasche	Kit de fix plaque de brosse
28c	909 5601 000	1	Motoriduttore 1100W 230V	Reduction gearmotor	Verminderungsgetriebe	Motoreducteur
29#	L08812929	1	Leva sollevamento spazz..	Brush lifting lever	Hebel Buersteaufhebung	Levier
30#	L08812885	2	Vite TE M6x30	Screw hex hd M6x30	Schraube	Vis
31#	L08274300	6	Vite TE M8x16	Screw hex hd M8x16	Schraube	Vis
32	145 5877 000	1	Vite TSPEI M6x40	Screw M6x40	Schraube	Vis
33	146 0632 000	2	Vite TE M4x8	Screw hex hd M4x8	Schraube	Vis
34#	L08040400	2	Rondella piana 5x10	Washer flat 5x10	Beilagscheibe	Rondelle
35	145 9128 000	2	Rondella piana 6x12,5	Washer flat 6x12,5	Beilagscheibe	Rondelle
36#	L08085700	6	Rondella piana 8x17	Washer flat 8x17	Beilagscheibe	Rondelle
37a#	L08812791	1	Relé	Relais	Relais	Relais
38	145 9228 000	2	Rondella e. spaccata	Washer hex.	Beilagscheibe	Rondelle
40c#	L08603849	1	Riduttore	Reduction gear	Verminderungsgetriebe	Reducteur
41a#	L08812993	1	Motore elettrico	Electric motor	Elektrische motor	Moteur électrique
41b	909 5072 000	1	Motore elettrico	Electric motor	Elektrische motor	Moteur électrique
42a#	L08812789	1	Condensatore lavoro 45µF	Capacitor work	Kondensator	Condenseur
42b	909 5105 000	1	Condensatore marcia 36µF	Capacitor work	Kondensator	Condenseur
43a#	L08812790	1	Condensatore spunto 65µF	Capacitor start	Kondensator	Condenseur
43b	909 5106 000	1	Condensatore avviam65µF	Capacitor start	Kondensator	Condenseur
44b	909 5107 000	1	Scatola	Box	Kasten	Boite
45#	L08812779	1	Piastrina	Plate	Platte	Plaque
46	145 9237 000	2	Rondella piana 4x12	Washer flat 4x12	Beilagscheibe	Rondelle

- (a) L08812993 old electric motor - L08812789 Work capacitor - L08812790 Start capacitor - L08812791 Relais valid before serial number 033408081 ref. ODM 1449 - **TSB IT 2003- 011**

- (b) 909 5072 000 new electric motor - 909 5105 000 Work capacitor - 909 5106 000 Start capacitor - 909 5107 000 Box valid starting from serial number 033408081 ref.ODM 1449 -**TSB IT 2003-011**

- (c) 9909 5071 000 old reduction gear motor , starting from 044414185, has been replaced from new reduction gear motor 909 5601 000 ; 08812994 old reduction motor, starting from 044414185, has been replaced from new reduction motor 08603849 . (ref. ODM 1751)

L08812945(4)2006-12



2003-09	<b>GRUPPO SPAZZOLA / BRUSH SYSTEM</b>		<b>BOOK F</b>		
2006-12	<b>CA 510S before serial number 034511257</b>		<b>F</b>	<b>4.9.1</b>	<b>21</b>

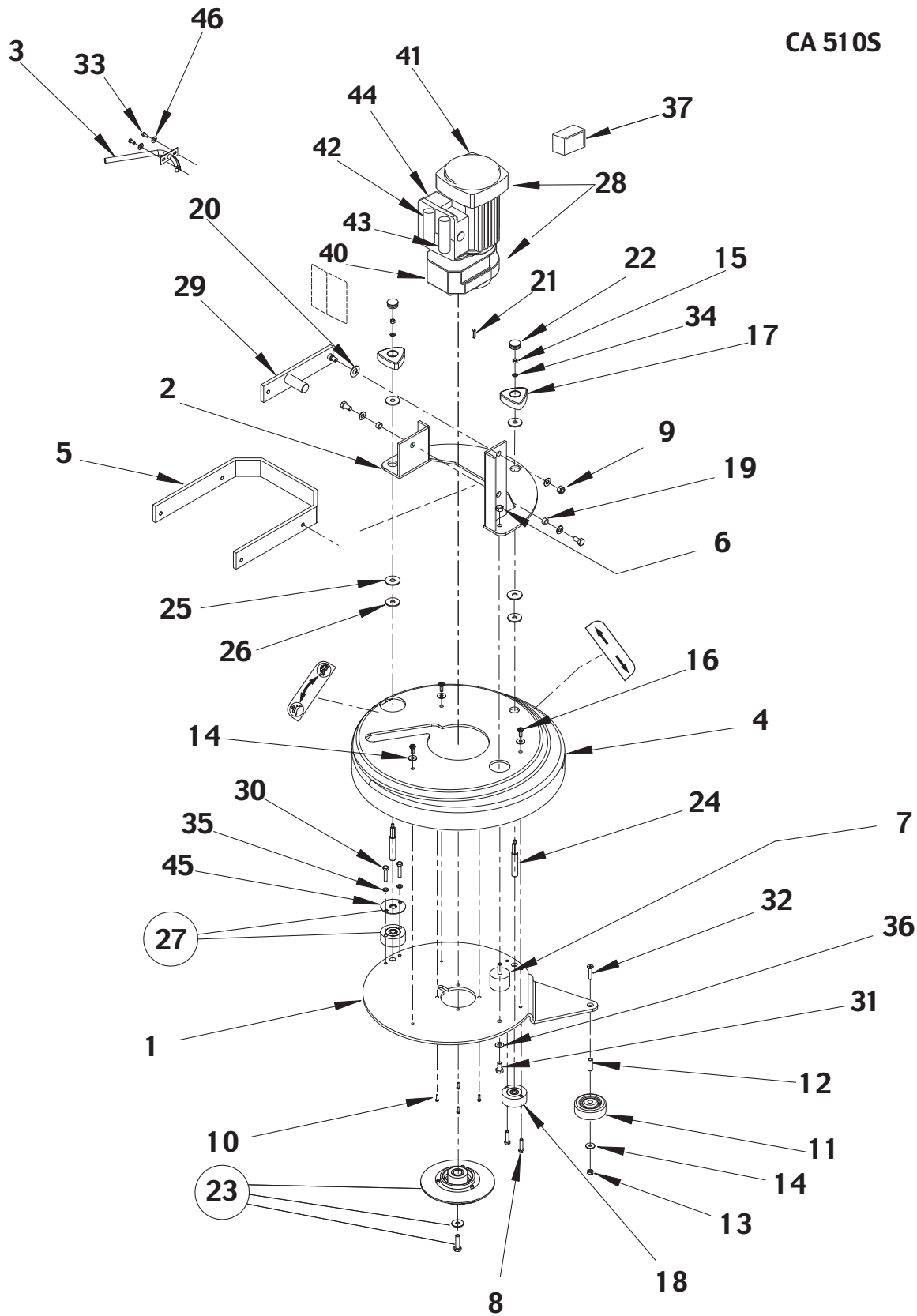
Pos Item Bild Rép	Codice Ref. No. Art. Nr. Réf. No	Quantità Qty Menge Qté	Descrizione	Description	Beschreibung	Désignation
1#	L08812981	1	Piastra porta spazzola	Plate brush holder	Platte Buerstenhalter	Plaque de support
2#	L08812980	1	Piastra supporto spazzola	Plate	Platte	Plaque
3#	L08812921	1	Tubo in rame	Hose copper	Schlauch	Tuyau
4#	L08812979	1	Protezione spazzola	Brush cover 510	Buerstendeckel	Protection brosse
5#	L08812924	1	Telaio sollevamento spaz.	Frame	Chassis	Chassis
6#	L08084900	1	Dado e. basso M8	Nut hex M8	Mutter	Ecrou
7#	L08219000	1	Antivibrante cilindrico M8	Vibration damping M8	Schwingungsdaempfer	Tampon
8#	L08232600	2	Vite TE M6x25	Screw hex hd M6x25	Schraube	Vis
9#	L08299800	1	Dado e. basso autobl. M8	Nut hex selflocking M8	Mutter	Ecrou
10	145 9959 000	4	Vite TE M6x16	Screw hex hd M6x16	Schraube	Vis
11#	L08602460	2	Ruota paracolpi	Bumper roller	Abweisrolle	Deflecteur
12#	L08602461	2	Distanziale	Bushing	Abstandstueck	Entretoise
13#	L08361400	2	Dado e. basso autobl.M6	Nut hex selflocking M6	Mutter	Ecrou
14#	L08228600	4	Rondella piana 6x18	Washer flat 6x18	Beilagscheibe	Rondelle
15	145 9287 000	2	Dado e. basso autobl.M5	Nut hex selflocking M5	Mutter	Ecrou
16#	L08812095	3	Vite TCTC M6x16	Screw M6x16	Schraube	Vis
17#	L08812203	2	Volantino piastra spazz.	Knob	Fluegelmutter	Poignee
18#	L08812213	2	Supporto antivibrante	Buffer	Lasche	Plaquette
19#	L08812325	5	Distanziale	Bushing	Abstandstueck	Entretoise
20#	L08812361	1	Rondella	Washer	Beilagscheibe	Rondelle
21	145 9774 000	1	Chiavetta	Key	Passfeder	Goupille
22#	L08812426	2	Tappo volantino	Cap for knob	Verschlußtopfen	Boulon
23#	L08812589	1	Kit supporto poligonale	Polygonal holder kit	Polygonaufnahme	Support polygonal
24#	L08812706	2	Perno fissaggio piastra spaz.	Dowel brush plate fixing	Stift	Axe
25#	L08812718	2	Rondella piana in gomma	Washer rubber	Beilagscheibe	Rondelle
26#	L08812719	4	Rondella piana 9x28	Washer flat 9x28	Beilagscheibe	Rondelle
27#	L08812780	1	Kit fissaggio piastra spazz.	Brush plate fixing kit	Zusatz Buerste fix.Lasche	Kit de fix plaque de brosse
28	909 5071 000	1	Motoriduttore 1100W 230V	Reduction gear 1100W 230V	Verminderungsgetriebe	Motoreducteur
29#	L08812929	1	Leva sollevamento spaz.	Lever brush lifting	Hebel Buersteaufhebung	Levier
30#	L08812885	2	Vite TE M6x30	Screw hex hd M6x30	Schraube	Vis
31#	L08274300	6	Vite TE M8x16	Screw hex hd M8x16	Schraube	Vis
32	145 5877 000	2	Vite TSPEI M6x40	Screw	Schraube	Vis
33	146 0632 000	2	Vite TE M4x8	Screw hex hd M4x10	Schraube	Vis
34#	L08040400	2	Rondella piana 5x10	Washer flat 5x10	Beilagscheibe	Rondelle
35	145 9128 000	4	Rondella piana 6x12,5	Washer flat 6x12,5	Beilagscheibe	Rondelle
36#	L08085700	6	Rondella piana 8x17	Washer flat 8x17	Beilagscheibe	Rondelle
37a#	L08812791	1	Relé	Relais	Relais	Relais
38	145 9228 000	2	Rondella elastica spaccata	Washer	Beilagscheibe	Rondelle
40#	L08812982	1	Supporto ruota dx antiurto	Bumper roll. support right	Halter rechts	Support droite
41#	L08812983	1	Supporto ruota sx antiurto	Bumper roll. support left	Halter links	Support gauche
42	145 9968 000	4	Vite TE M8x20 inox	Screw hex hd M8x20 SS	Schraube	Vis
43#	L08812994	1	Riduttore	Reduction gear	Verminderungsgetriebe	Reducteur
44a#	L08812993	1	Motore elettrico	Electric motor	Elektrische motor	Moteur électrique
44b	909 5072 000	1	Motore elettrico	Electric motor	Elektrische motor	Moteur électrique
45a#	L08812789	1	Condensatore lavoro 45µF	Capacitor work	Kondensator	Condenseur
45b	909 5105 000	1	Condensatore marcia 36µF	Capacitor work	Kondensator	Condenseur
46a#	L08812790	1	Condensatore spunto 65µF	Capacitor start	Kondensator	Condenseur
46b	909 5106 000	1	Condensatore avviam65µF	Capacitor start	Kondensator	Condenseur
47b	909 5107 000	1	Scatola	Box	Kasten	Boite
48#	L08812779	1	Piastrina	Plate	Platte	Plaque

- (a) L08812993 old electric motor - L08812789 Work capacitor - L08812790 Start capacitor - L08812791 Relais valid before serial number 033408081 ref. ODM 1449 - **TSB IT 2003-011**

- (b) 909 5072 000 new electric motor - 909 5105 000 Work capacitor - 909 5106 000 Start capacitor - 909 5107 000 Box valid starting from serial number 033408081 ref. ODM 1449 - **TSB IT 2003-011**



CA 510S

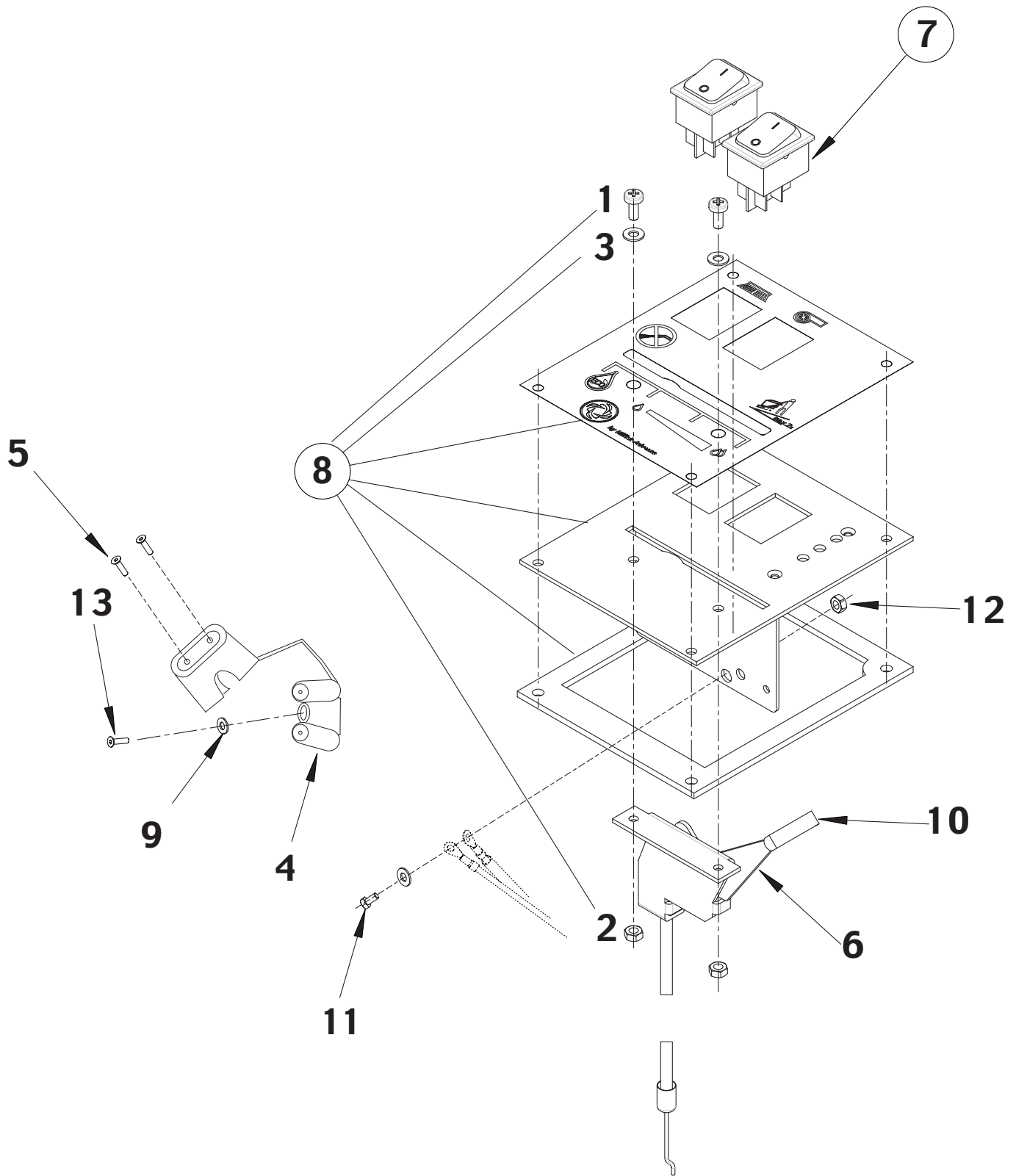




2003-09	GRUPPO SPAZ. DECENTRATA/ OFF- SET BRUSH SYSTEM		BOOK F	
2006-12	CA 510S from serial number 034511257		F	4.9.1 23

Pos Item Bild Rép	Codice Ref. No. Art. Nr. Réf. No	Quantità Qty Menge Qté	Descrizione	Description	Beschreibung	Désignation
1	909 5135 000	1	Piastra porta spazzola	Plate brush holder	Platte Buerstenhalter	Plaque de support
2	909 5136 000	1	Piastra supporto spazzola	Plate	Platte	Plaque
3#	L08812921	1	Tube in rame	Hose copper	Schlauch	Tuyau
4	909 5460 000	1	Protezione spazzola	Brush cover 510	Buerstendeckel	Protection brosse
5#	L08812924	1	Telaio sollevamento spaz.	Frame	Chassis	Chassis
6#	L08084900	1	Dado e. basso M8	Nut hex M8	Mutter	Ecrou
7#	L08219000	1	Antivibrante cilindrico M8	Vibration damping M8	Schwingungsdaempfer	Tampon
8#	L08232600	2	Vite TE M6x25	Screw hex hd M6x25	Schraube	Vis
9#	L08299800	1	Dado e. basso autobl. M8	Nut hex selflocking M8	Mutter	Ecrou
10	145 9959 000	4	Vite TE M6x16 inox	Screw hex hd M6x16 SS	Schraube	Vis
11#	L08602460	1	Ruota paracolpi	Bumper roller	Abweisrolle	Deflecteur
12#	L08602461	1	Distanziale	Bushing	Abstandstueck	Entretoise
13#	L08361400	1	Dado e. basso autobl.M6	Nut hex selflocking M6	Mutter	Ecrou
14#	L08228600	4	Rondella piana 6x18	Washer flat 6x18	Beilagscheibe	Rondelle
15	145 9287 000	2	Dado e. basso autobl.M5	Nut hex selflocking M5	Mutter	Ecrou
16#	L08812095	3	Vite TCTC M6x16	Screw M6x16	Schraube	Vis
17#	L08812203	2	Volantino piastra spazz.	Knob	Fluegelmutter	Poignee
18#	L08812213	2	Supporto antivibrante	Buffer	Lasche	Plaquette
19#	L08812325	5	Distanziale	Bushing	Abstandstueck	Entretoise
20#	L08812361	1	Rondella	Washer	Beilagscheibe	Rondelle
21	145 9774 000	1	Chiavetta	Key	Passfeder	Goupille
22#	L08812426	2	Tappo volantino	Cap for knob	Verschlußtopfen	Boulon
23#	L08812589	1	Kit supporto poligonale	Polygonal holder kit	Polygonaufnahme	Support polygonal
24#	L08812706	2	Perno fissaggio piastra spaz.	Dowel brush plate fixing	Stift	Axe
25#	L08812718	2	Rondella piana in gomma	Washer rubber	Beilagscheibe	Rondelle
26#	L08812719	4	Rondella piana 9x28	Washer flat 9x28	Beilagscheibe	Rondelle
27#	L08812780	1	Kit fissaggio piastra spazz.	Brush plate fixing kit	Zusatz Buerste fix.Lasche	Kit de fix plaque de brosse
28a	909 5601 000	1	Motoriduttore 1100W 230V	Reduction gear 1100W 230V	Verminderungsgetriebe	Motoreducteur
29#	L08812929	1	Leva sollevamento spaz.	Lever brush lifting	Hebel Buersteaufhebung	Levier
30#	L08812885	2	Vite TE M6x30	Screw hex hd M6x30	Schraube	Vis
31#	L08274300	6	Vite TE M8x16	Screw hex hd M8x16	Schraube	Vis
32	145 5877 000	1	Vite TSPEI M6x40	Screw	Schraube	Vis
33	146 0632 000	2	Vite TE M4x8	Screw hex hd M4x8	Schraube	Vis
34#	L08040400	2	Rondella piana 5x10	Washer flat 5x10	Beilagscheibe	Rondelle
35	145 9128 000	2	Rondella piana 6x12,5	Washer flat 6x12,5	Beilagscheibe	Rondelle
36#	L08085700	6	Rondella piana 8x17	Washer flat 8x17	Beilagscheibe	Rondelle
38	145 9228 000	2	Rondella elastica spaccata	Washer	Beilagscheibe	Rondelle
40a#	L08603849	1	Riduttore	Reduction gear	Verminderungsgetriebe	Reducteur
41	909 5072 000	1	Motore elettrico	Electric motor	Elektrische motor	Moteur électrique
42	909 5105 000	1	Condensatore marcia 36µF	Capacitor work	Kondensator	Condenseur
43	909 5106 000	1	Condensatore avviam. 65µF	Capacitor start	Kondensator	Condenseur
44	909 5107 000	1	Scatola	Box	Kasten	Boite
45#	L08812779	1	Piastrina	Plate	Platte	Plaque
46	146 9237 000	2	Rondella piana 4x12	Washer flat 4x12	Beilagscheibe	Rondelle

- (a) 9909 5071 000 old reduction gear motor , starting from 044414185, has been replaced from new reduction gear motor 909 5601 000 ; L08812994 old reduction motor, starting from 044414185, has been replaced from new reduction motor L08603849 . (ref. ODM 1751)



2003-09	<b>PANNELLO DI CONTROLLO / CONTROL PANEL SYSTEM</b>	<b>BOOK F</b>		
2006-12	<b>CA 430S / 510S</b>	<b>F</b>	<b>4.9.1</b>	<b>25</b>

Pos Item Bild Rép	Codice Ref. No. Art. Nr. Réf. No	Quantità Qty Menge Qté	Descrizione	Description	Beschreibung	Désignation
1#	L08604077	2	Vite TCTC M4x10	Screw M4x10	Schraube	Vis
2#	L08053500	3	Dado es.M4	Nut hex M4	Mutter	Ecrou
3#	L08200800	2	Rondella piana	Washer flat	Beilagscheibe	Rondelle
4#	L08338600	1	Morsetto fissacavo	Clamp	Passring	Collier
5	145 9650 000	1	Vite M4x12	Screw 4x12	Schraube	Vis
6#	L08812938	1	Leva regolazione elet.	Lever	Hebel	Levier
7#	L08812562	1	Kit interruttore completo	Kit switch complete	Zusatz Schalter kpl	Kit interrupteur
7b	909 5667 000	1	Interruttore completo	Switch complete	Schalter kpl	Interrupteur complet
8c#	L08603900	1	Kit plancia con serigrafia	Kit control panel w/decal	Zusatz Schallplatte m/Folie	Kit tableau avec serigraphie
8d	909 5690 000	1	Kit plancia con serigrafia	Kit control panel w/decal	Zusatz Schallplatte m/Folie	Kit tableau avec serigraphie
9	145 9296 000	2	Rondella	Washer	Beilagscheibe	Rondelle
10#	L08603790	1	Maniglia per leva	Handle	Handgriff	Poignee
11#	L08191900	1	Vite TE M4x12	Screw TE M4x12	Schraube	Vis
12	145 9125 000	1	Dado esag. autobl. M4	Nut hex. M4	Mutter	Ecrou
13#	L08603691	2	Vite TCTC 3,3x16 autof.	Screw TCTC 3.3x16	Schraube	Vis
0	146 2065 000	1	Connettore 1 via portafemm.	Connector	Kupplungstueck	Prise

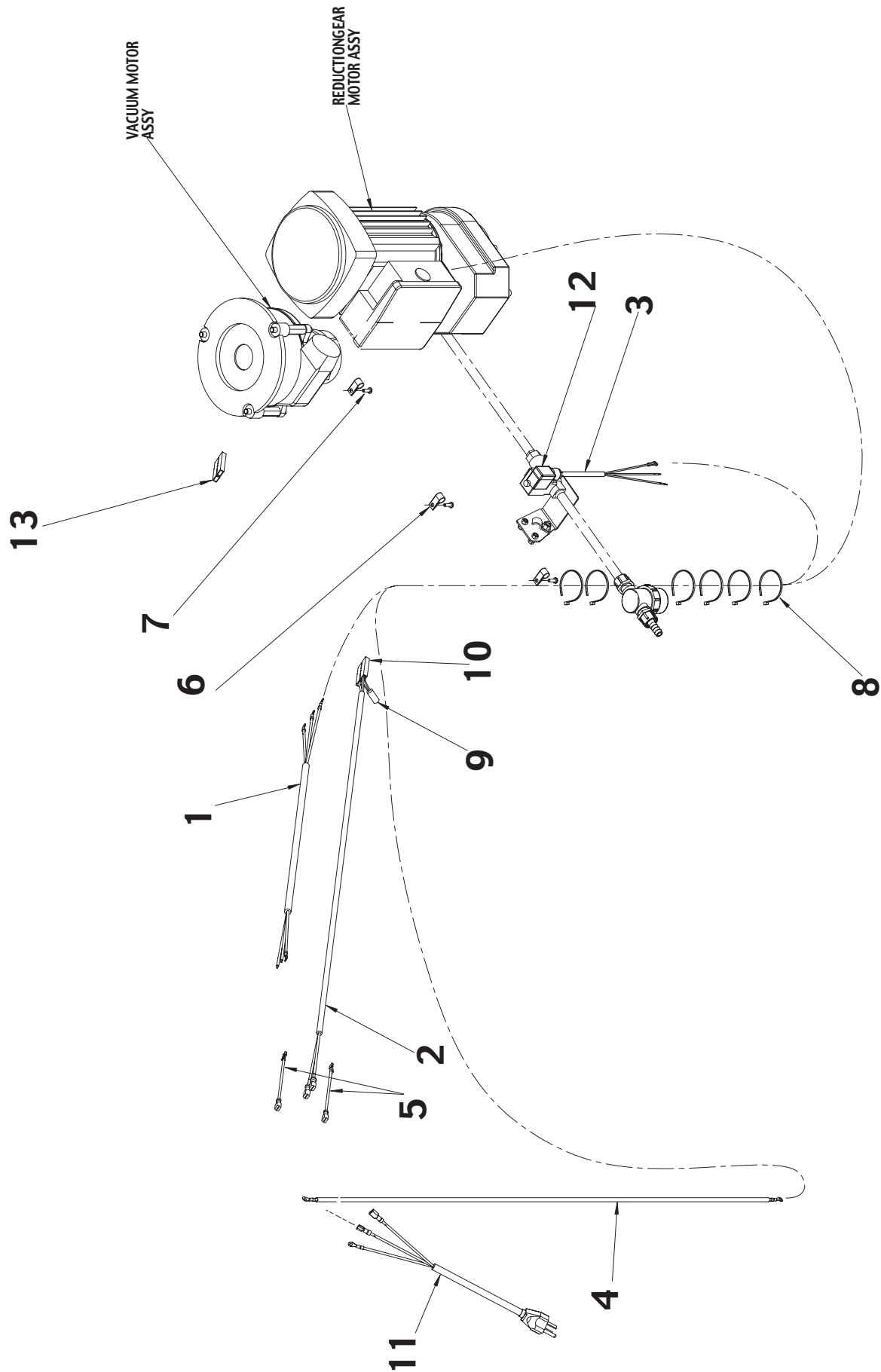
- (b) replaces the old one completely interchangeable-

- (c) before serial number 04401277

- (d) from serial number 0444012177

**TSB 2004-019**

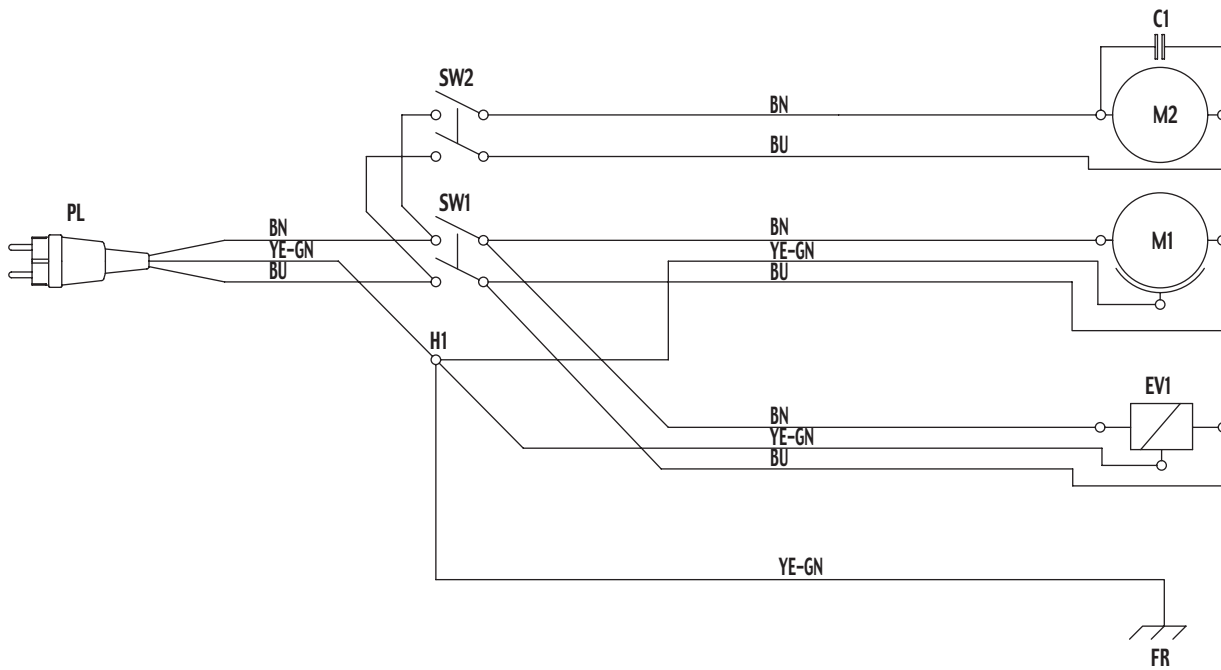
L08812945(4)2006-12



2003-09	<b>SISTEMA ELETTRICO/ WIRING SYSTEM</b>	<b>BOOK F</b>		
2006-12	<b>CA 430S / 510S</b>	<b>F</b>	<b>4.9.1</b>	<b>27</b>

Pos Item Bild Rép	Codice Ref. No. Art. Nr. Réf. No	Quantità Qty Menge Qté	Descrizione	Description	Beschreibung	Désignation
1#	L08812923	1	Cavo mot. spazzola	Brush mot. cable	Buerstemot. Kabel	Cable mot. de brosse
2#	L08812917	1	Cavo mot. aspiratore	Suction mot. cable	Saugmot. Kabel	Cable turbine
3#	L08812914	1	Cavo elettrovalvola	Solenoid cable	Elektroventil Kabel	Cable electrovanne
4#	L08812915	1	Cavo massa	Cable ground	Kabel	Cable
5#	L08812916	2	Cavo ponte	Bridge cable	Bruecke Kabel	Cable
6#	L08239900	3	Fascetta	Clamp	Passring	Collier
7#	L08603041	3	Vite M5x10	Screw M5x10	Schraube	Vis
8	145 1241 000	6	Fascetta	Clamp	Passring	Collier
9#	L08603912	1	Condensatore 0,1µF	Capacitor 0,1 µF	Kondensator	Condenseur
10	145 3734 000	1	Connettore 2 vie portafemm.	Connector	Kupplungstueck	Prise
11#	L08812290	1	Cavo alimentazione	Power cable	Stecker Leitung	Cordon électrique
12#	L08603885	1	Connettore elettrovalvola	Solenoid connector	Stecker	Prise electrovanne
13	145 3733 000	1	Connettore 2 vie portamaschio	Connector	Kupplungstueck	Prise

Wiring diagram  
08603920 CA 430S/510S



LEGENDA	
C1	RFI SUPPRESSION CAPACITOR
EV1	ELECTROVALVE
FR	MACHINE FRAME
H1	HEART CONNECTION SCREW
M1	BRUSH MOTOR
M2	VACUUM MOTOR
PL	PLUG
SW1	BRUSH SWITCH
SW2	VACUUM SWITCH

COLORS CODES		
BK	BLACK	nero
BU	BLUE	azzurro
BN	BROWN	marrone
GN	GREEN	verde
GY	GREY	grigio
OG	ORANGE	arancio
PK	PINK	rosa
RD	RED	rosso
VT	VIOLET	viola
WH	WHITE	bianco
YE	YELLOW	giallo

Codice Ref. No. Art. Nr. Réf. No	Quantità Qty Menge Qté	Descrizione	Description
		<b><i>Vista generale</i></b>	<b><u>General view</u></b>
L08603906	1	Kit adesivi CA 430	Kit decals CA 430
L08603907	1	Kit adesivi CA 510	Kit decals CA 510
		<b><i>Gruppo serbatoio</i></b>	<b><u>Tank system</u></b>
L08603868	1	Chiusura tubo acqua pulita	Closure solution hose
L08812869	1	Tubo scarico acqua	Drain hose
909 5582 000	1	Tubo aspirazione flessibile	Suction hose
L08812977	1	Tubo isolante motore asp.	Acoustic insulation
145 8582 000	1	Fascetta	Clamp
909 5042 000	1	Fonoassorbente per motore	Acoustic insulation
909 5073 000	1	Kit carboncini (2pz)	Carbon brush kit
909 5515 000	1	Tubo acqua pulita	Solution hose
L08603836	1	Guarnizione coperchio	Gasket, tank cover
L08812873	1	Kit tubo acqua sporca	Kit drain hose
L08603970	1	Kit leva sollevamento terg.	Squeegee lift lever kit
L08603860	1	Kit regolazione maniglione	Handle adjusting kit
L08603858	1	Kit isolante acustico	Kit acoustic cover cpl
L08603911	1	Kit motore asp.+connettore	Kit suct. motor w/connector
L08812874	1	Kit manicotto	Kit elbow
909 5527 000	1	Kit tubo acqua pulita	Kit solution hose
909 5099 000	1	Kit regolatore maniglione	Handle adjuster kit
		<b><i>Gruppo telaio</i></b>	<b><u>Chassis system</u></b>
145 8478 000	1	Copripedale in gomma	Pedal cover
L08603862	1	Kit supporto serbatoio dx	Kit tank support right
L08603863	1	Kit supporto serbatoio sx	Kit tank support left
L08603861	1	Kit ruota pivoet. posteriore	Kit castor wheel rear
		<b><i>Gruppo elettrovalvola</i></b>	<b><u>Solution system</u></b>
L08601624	2	Portagomma 1/4	Rubber holder 1/4
L08812913	1	Elettrovalvola 230V 50-60Hz	Solenoid valve 230V
909 5151 000	1	Kit filtro completo	Kit filter complete
L08603855	1	Tubo spiralato ø10 560 mm	Hose ø10 560 mm
909 5026 000	1	Tubo spiralato ø10 100 mm	Hose ø10 100 mm
909 5151 000	1	Kit filtro completo	Kit filter complete
L08603893	1	Kit rete filtro con guarniz.	Kit net filter with gasket
909 5657 000	1	Kit elettrovalvola con rubinetto	Solenoid valve kit compl. w. valve
909 5787 000	1	Kit rubinetto portagomma	Valve with rubber holder kit
909 5025 000	1	Tubo spiralato ø10 300 mm	Hose ø10 300 mm
L08603854	1	Tubo spiralato ø10 270 mm	Hose ø10 270 mm

Codice Ref. No. Art. Nr. Réf. No	Quantità Qty Menge Qté	Descrizione	Description
		<b>Gruppo tergiture</b>	<b>Squeegee assembly</b>
L08602463	1	Gomma tergiture ant.	Squeegee blade front
L08602468	1	Gomma tergiture post.	Squeegee blade rear
L08603878	1	Kit tergiture completo	Kit squeegee complete
L08812518	1	Kit viti di regolazione	Adjustment screws kit
L08603879	1	Kit ruota tergiture	Kit squeegee wheel
L08603877	1	Kit supporto tergiture	Nozzle holder kit
L08603880	1	Kit ruota paracolpi	Kit squeegee bumper roller
L08812516	1	Kit fissaggio	Fixture kit
L08812521	1	Kit fissaggio tergiture	Fixt.nozzle holder left/right kit
L08603876	1	Kit supporto tergiture	Nozzle holder kit
L08603923	1	Kit ruota paracolpi	Bumper roller opt. Kit
L08812589	1	Kit supporto poligonale	Polygonal holder kit
L08837041	1	Kit gomme tergiture antiolio	Kit oil resistant blades
L08812404	1	Kit gomme std tergiture	Wear pack: std squeegee blades, solution filter
L08812405	1	Kit gomme tergiture antiolio	Wear pack: oil res. squeegee blades, solution filter
		<b>Gruppo spazzola</b>	<b>Brush system</b>
L08219000	1	Antivibrante cilin. M 8	Vibration damping M8
L08812203	2	Volantino piastra spaz.	Knob for brush plate
L08812213	2	Distanziale piastra spaz.	Buffer for brush plate
L08812706	2	Perno fissaggio piastra spaz.	Dowel broom plate fixing
909 5601 000	1	Motoriduttore 1100W 230V	Reduction gear 1100W 230V
909 5105 000	1	Condensatore marcia 36µF	Capacitor work
909 5106 000	1	Condensatore avviam65µF	Capacitor start
L08812589	1	Kit supporto poligonale	Polygonal holder kit
L08812780	1	Kit fissaggio piastra spazz.	Brush plae fixing kit
L08837020	1	Spazzola prolene	Brush ppn medium 450mm
L08837021	1	Spazzola prolite	Brush ppn soft 450mm
L08837022	1	Spazzola union mix	Brush union mix 450mm
L08837023	1	Spazzola midlite aggressiva	Brush midlite aggressive 450mm
L08837024	1	Spazzola midgrit	Brush midgrit medium 450mm
L08837025	1	Spazzola prolene	Brush ppn medium 530mm
L08837026	1	Spazzola prolite soft	Brush prolite soft 530mm
L08837027	1	Spazzola union mix	Brush union mix 530mm
L08837028	1	Spazzola midlite aggressiva	Brush midlite aggressive 530mm
L08837029	1	Spazzola midgrit	Brush midgrit 530mm
L08837065	1	Spazzola magna grit	Brush magna grit 530mm
L08837066	1	Spazzola dyna grit	Brush dyna grit 530mm
L08837067	1	Spazzola agligril	Brush aglitegrit 530mm
L08837017	1	Kit disco trascinatore	Pad holder kit cpl 430mm
L08837018	1	Kit disco trascinatore	Pad holder kit cpl 510mm
		<b>Pannello di controllo</b>	<b>Control panel system</b>
909 5667 000	1	Interruttore completo	Switch complete
909 5690 000	1	Kit plancia con serigrafia	Kit control panel w/decal







**Nilfisk-Advance SpA**

Registered office: Via F. Turati 16/18, 20121 Milano

Administrative office: Strada Comunale della Braglia n° 18

26862 Guardamiglio (Lodi)

[www.nilfisk-advance.com](http://www.nilfisk-advance.com)

Phone: +39 0377 451124

Fax: +39 0377 51443

Printed in Italy