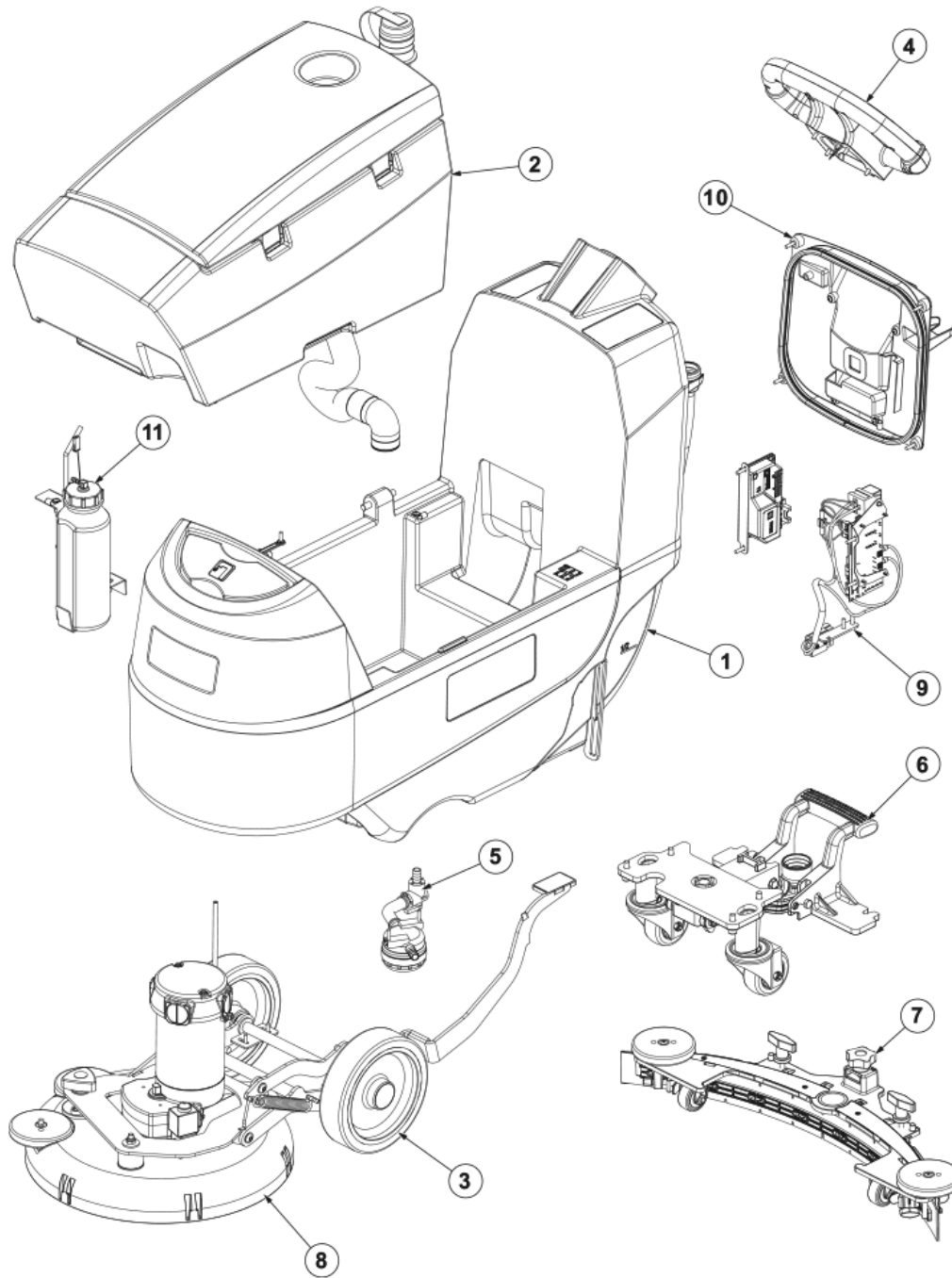


PARTS LIST

2018.01.04

TABLE OF CONTENTS

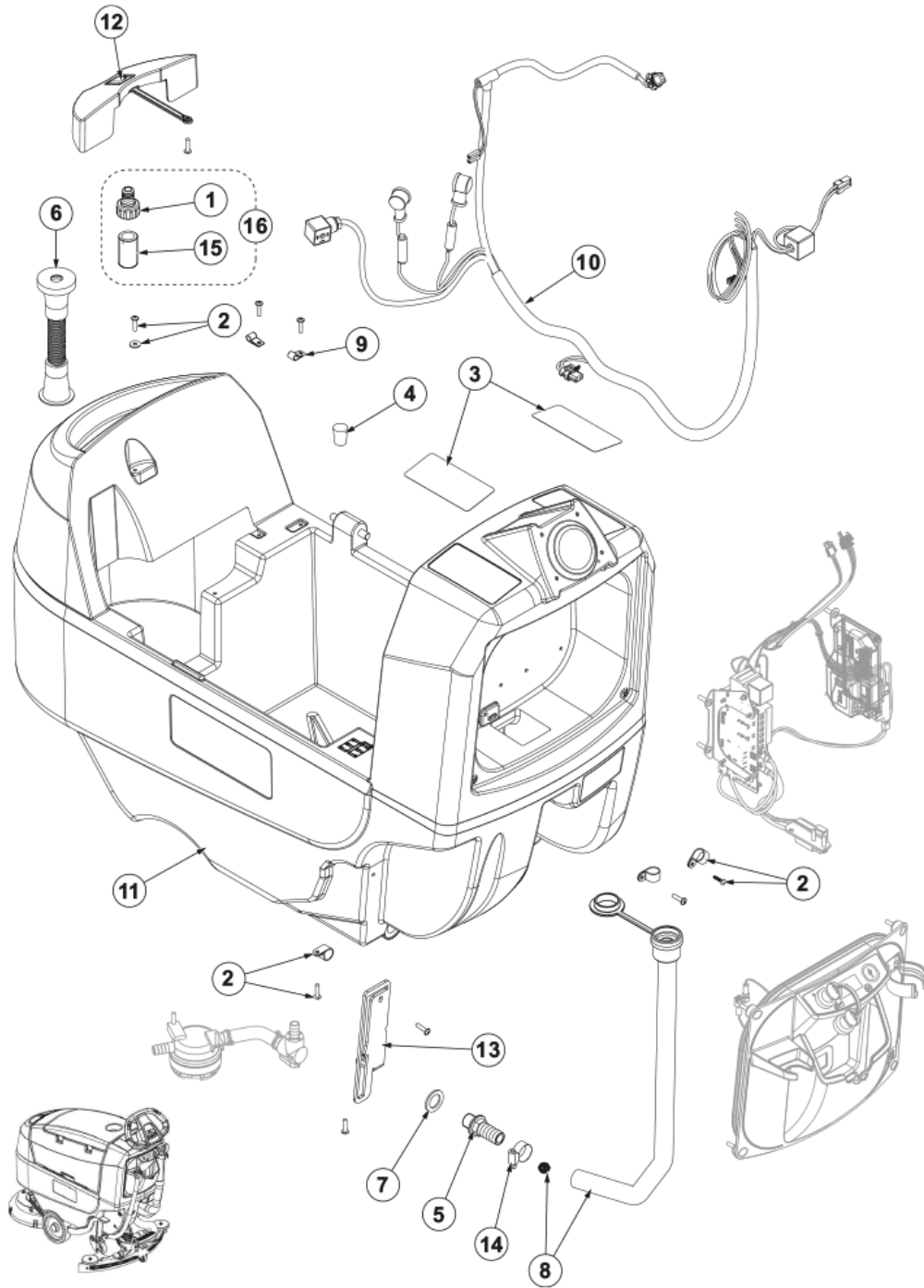
PL GENERAL VIEW	1
PL SOLUTION TANK SYSTEM BLUE	3
PL RECOVERY TANK SYSTEM BLUE	5
PL VACUUM MOTOR SYSTEM	7
PL WHEELS SYSTEM (NO DRIVE)	9
PL HANDLEBAR SYSTEM (NO DRIVE)	11
PL REAR WHEELS SYSTEM	13
PL SQUEEGEE SYSTEM	15
PL BRUSH DECK (NO DRIVE)	17
PL ELECTRICAL COMPONENTS SYSTEM	19
PL COVER ELECTRONIC SYSTEM (NO DRIVE)	21
PL BATTERY CHARGER	23
PL DETERGENT SYSTEM	25
PL ACCESSORIES - OPTIONALS	27
PL BRUSHES	29
PL WIRING DIAGRAM (NO DRIVE)	31
PL RECOMMENDED PARTS	33
PL ELECTRICAL COMPONENTS SYSTEM (NO DRIVE)	36



Pos.	Réf article	Qté	Désignation	Notes
1		1	SOLUTION TANK SYSTEM	[1]
2		1	RECOVERY TANK SYSTEM	[1]
3		1	WHEELS SYSTEM	[2]
4		1	HANDLEBAR SYSTEM	[3]
5		1	SOLUTION SYSTEM	[4]
6		1	REAR WHEELS SYSTEM	[5]
7		1	SQUEEGEE SYSTEM	[6]
8		1	BRUSH DECK SYSTEM	[7]
9		1	ELECTRICAL COMPONENTS SYSTEM	[8]
10		1	COVER ELECTRONIC SYSTEM	[9]
11		1	DETERGENT SYSTEM	[10]

Part Notes:

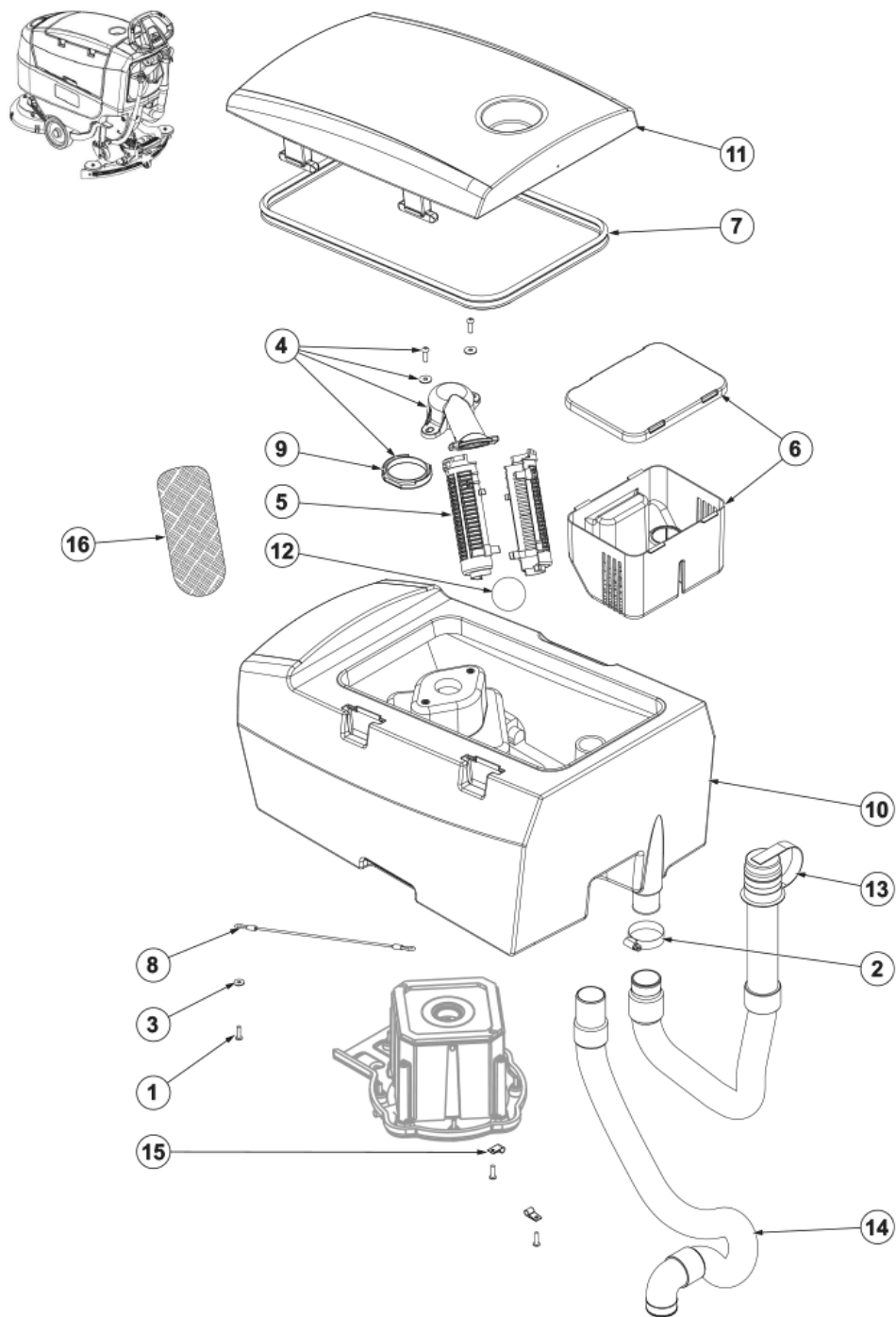
- [1] - PL SOLUTION TANK SYSTEM
- [2] - PL WHEELS SYSTEM
- [3] - PL HANDLEBAR SYSTEM
- [4] - PL SOLUTION SYSTEM
- [5] - PL REAR WHEELS SYSTEM
- [6] - PL SQUEEGEE SYSTEM
- [7] - PL BRUSH DECK
- [8] - PL ELECTRICAL COMPONENTS SYSTEM
- [9] - PL COVER ELECTRONIC SYSTEM (NO DRIVE)
- [10] - PL DETERGENT SYSTEM



Pos.	Réf article	Qté	Désignation	Notes
1	1402809	1	RACCORD RAPIDE BP EN 3/4	
2	9100002424	1	HARDWARE SOLUTION TANK KIT	
3	9100002434	1	DECALS FUNCTIONS SETTING KIT	
4	909 6236 000	1	BOUCHON NOIR	
5	9100000574	1	RACCORD DROIT G1/2 D.20	
6	9100000703	1	FLEXIBLE DE REMPLISSAGE EAU PROPRE	
7	9100001139	1	JOINT CAOUTCHOUC NOIR Ø21X33X2.5	
8	9100002431	1	HOSE FRESH WATER LEV. W/CAP KIT	
9	L08193000	2	VIS DU SERRE CABLE	
10	9100002426	1	HARNES MACHINE SIP	
11	9100002429	1	TANK SOLUTION 30L PLAST. BLUE SIP	
12	9100002430	1	CAP RUBBER F SOLUTION TANK SIP	
13	9100002433	1	SUPPORT PEDAL SS SIP	
14	L08603916	1	COLLIER DE SERRAGE	
15	9100002435	1	CONNECTOR MALE THD 3/4 G PLAST.BLACK SIP	
16	9100002572	1	CLEF DÉMAR & BARRILLET POUR NON FULL PKG	[1]

Part Notes:

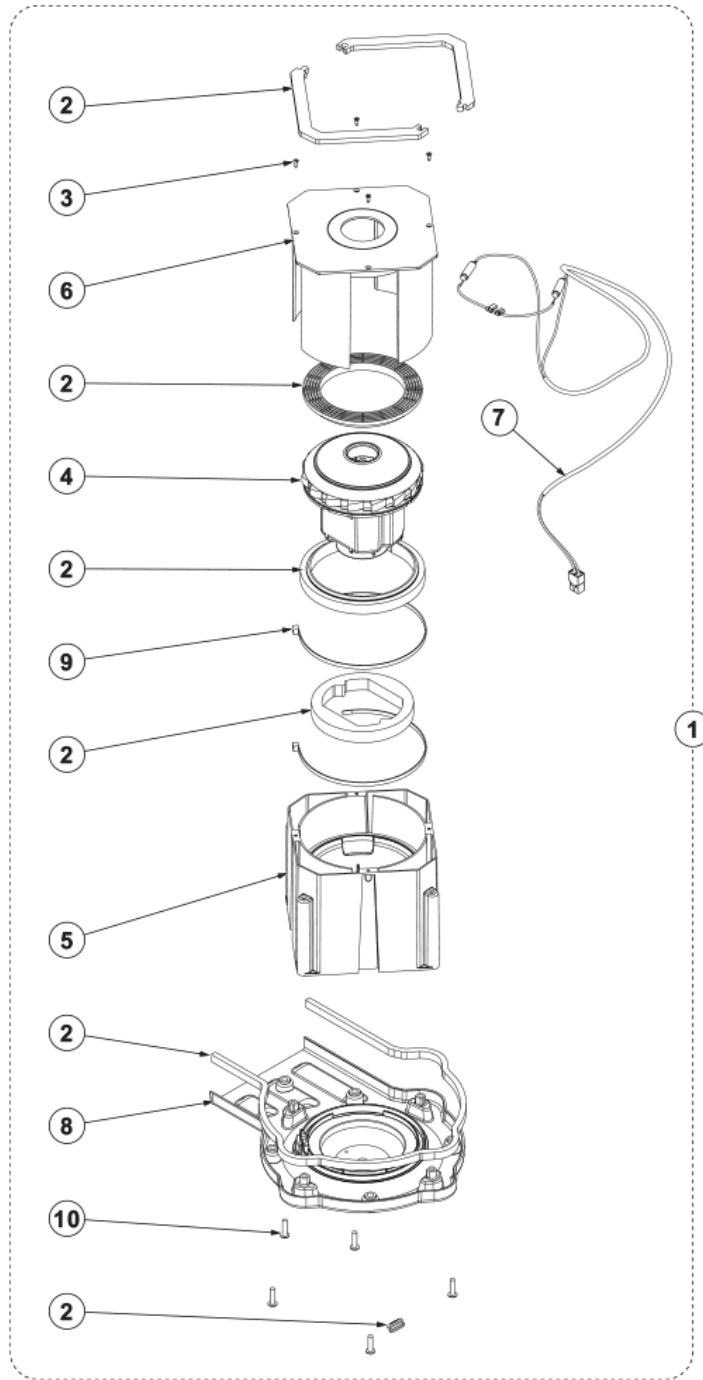
[1] - OPTIONAL



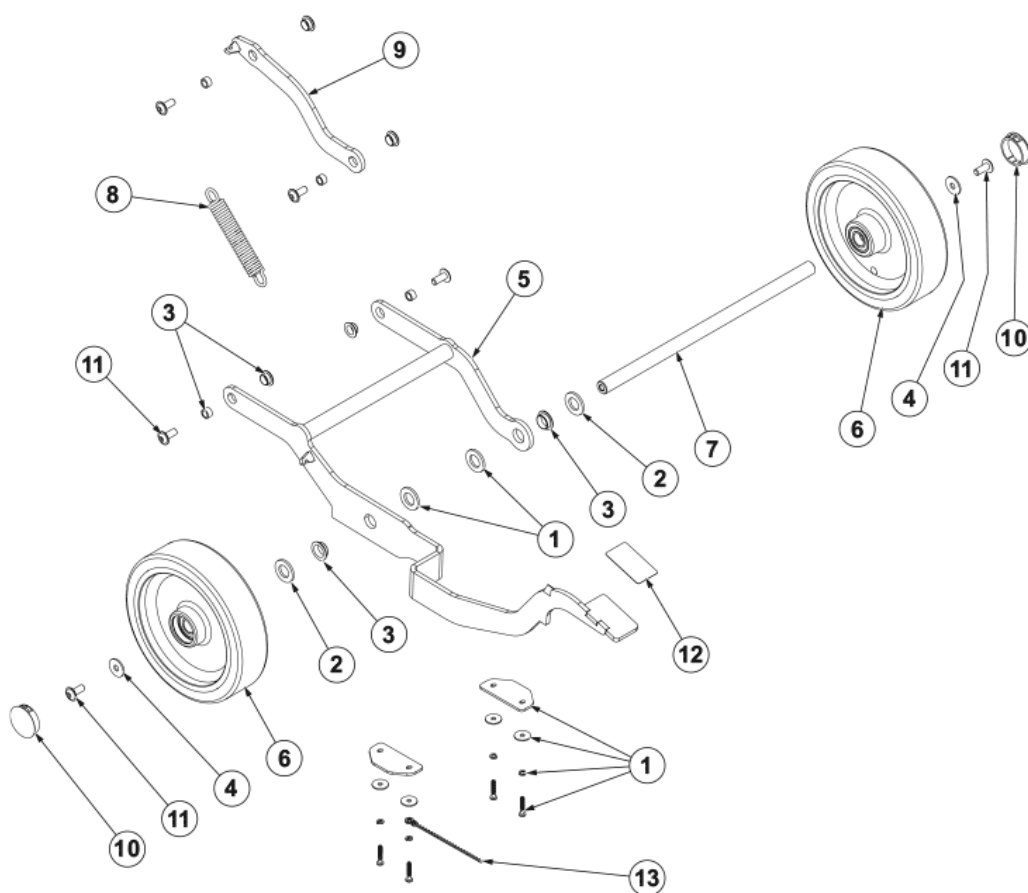
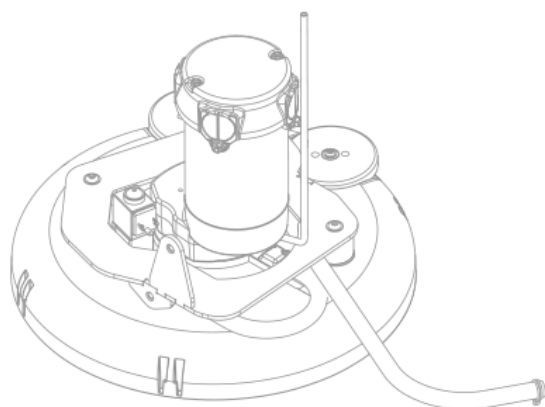
Pos.	Réf article	Qté	Désignation	Notes
1	9100002437	1	SCREW M5X20 TORX ISO7380-2 10 PCS SET	
2	9100001348	1	VERROUILLAGE 14/32-52 10 PCS	
3	145 8280 000	1	RONDELLE	
4	9100001875	1	KIT SUPPORT FLOTTEUR	
5	9100000818	1	KIT CAGE FLOTTEUR 2 PCS	
6	9100000795	1	CASIER À DÉCHET	
7	9100002436	1	GASKET BULB RUBBER L.1450MM SIP	
8	9100002438	1	CABLE SAFETY F TANK SIP	
9	9100000928	1	JOINT SUPPORT FLOTTEUR	
10	9100002440	1	TANK RECOVERY 30L PLAST. BLUE SIP	
11	9100002442	1	COVER PLAST. BLUE F TANK 30L SIP	
12	9100000817	1	BALLE DE FLOTEUR	
13	9100002443	1	HOSE DRAIN BLACK L.530MM SIP	
14	9100002444	1	HOSE SUCTION SQUEE. 90 BLACK L.970MM SIP	
15	L08193000	2	VIS DU SERRE CABLE	
16	909 5065 000	1	FILTRE ANTI-MOUSSE	[1]

Part Notes:

[1] - OPTIONAL



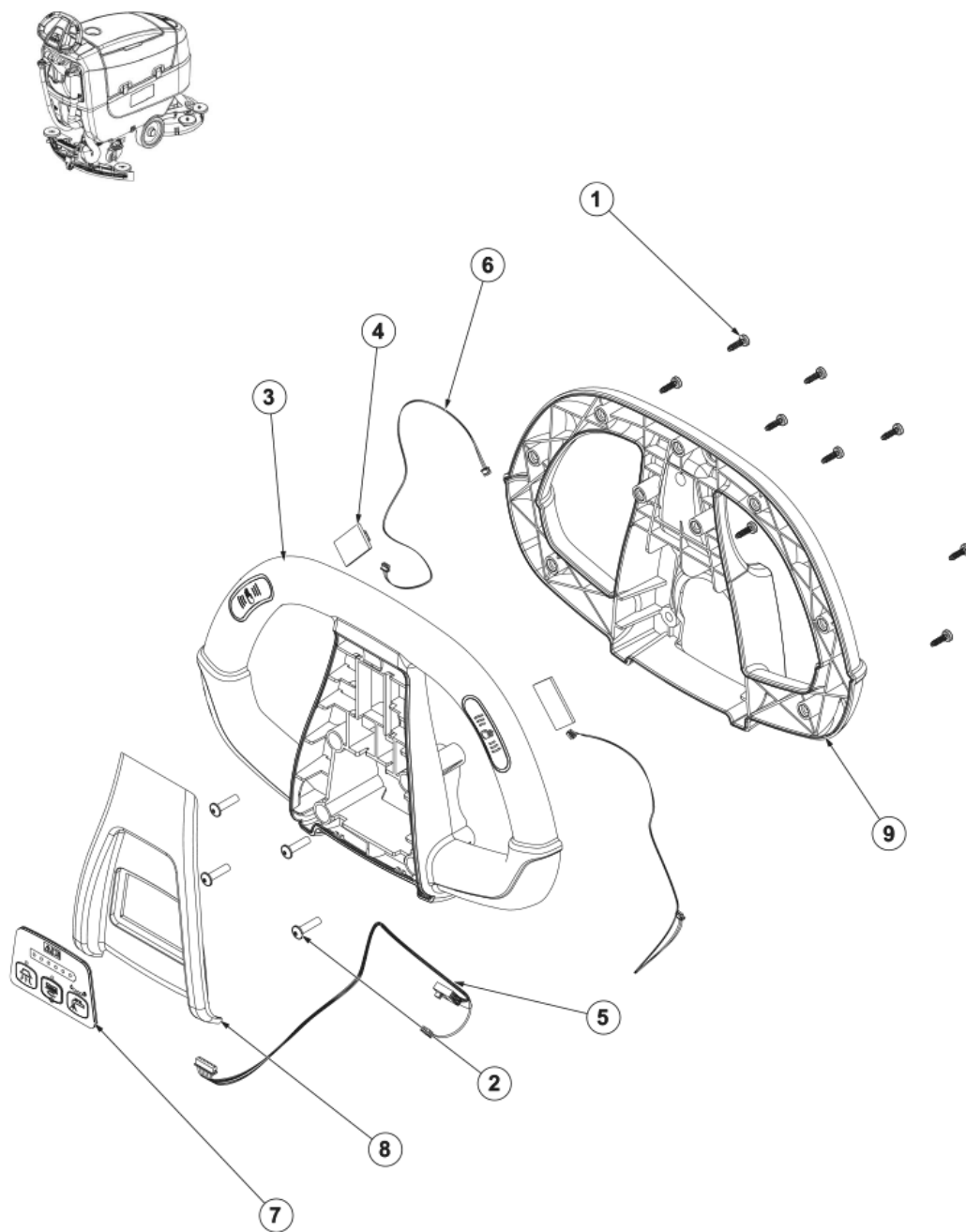
Pos.	Réf article	Qté	Désignation	Notes
1	9100002533	1	MOTOR VACUUM 280W 24W KIT	
2	9100002447	1	GASKETS VAC. MOTOR KIT	
3	145 1756 000	4	VIS 2 9X9 5 AUTOFOREUSE	
4	9100000823	1	MOTEUR ASPIRATION 24V 280W	
5	9100001983	1	SUPPORT EXT. PLAST. F VAC. MOTOR KIT	
6	9100001989	1	SUPPORT INT. PLAST. F VAC. MOTOR SIP	
7	9100002445	1	HARNESS VACUUM MOTOR 24V SIP	
8	9100002446	1	SUPPORT PLAST. F VACUUM MOTOR SIP	
9	1466337000	1	KIT COMPLET ATTACHES BLANC.2 PCS 4.8X430	
10	9100002437	1	SCREW M5X20 TORX ISO7380-2 10 PCS SET	



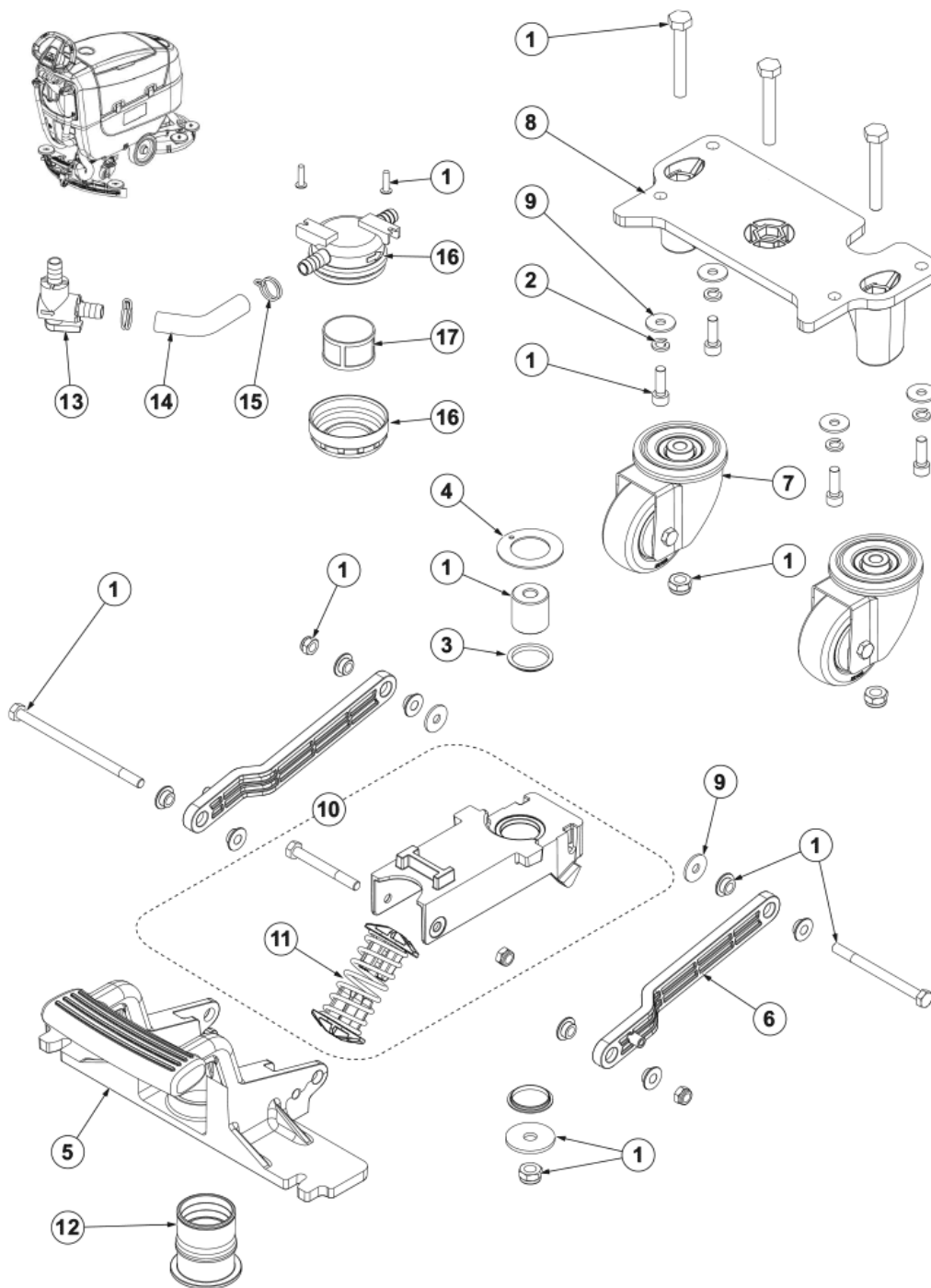
Pos.	Réf article	Qté	Désignation	Notes
1	9100002465	1	HARDWARE FRONT WHEELS SYST.NO DRIVE KIT	
2	33023628	1	RONDELLES M16X30 ISO7089 10PCS	
3	9100002458	1	BUSHINGS AND BEARINGS F PEDAL SYST. KIT	
4	33023660	1	WASHER PLAIN M8X24X2 ISO7093 5 PCS SET	
5	9100002461	1	PEDAL BRUSH LIFTING GALV. SIP	
6	9100002462	2	WHEEL D.200X50 TPE BLACK/GREY SIP	
6	9100002546	1	WHEEL FRONT D.200 PU GREY-BLACK 2PCS SET	[1]
7	9100002463	1	SHAFT WHEELS PHOS. SIP	
8	9100002452	1	SPRING EXTENTION D.E.20.5 WIRE D.3.5 SIP	
9	9100002464	1	LEVER BRUSH DECK GALV. SIP	
10	9100002450	1	PLUG DOME O.D.42.4 PLAST.BLACK 2 PCS SET	
11	9100002456	1	SCREW M8X20 BUTTON ISO7380-2 10 PCS SET	
12	9100002457	1	ANTI-SLIP SURFACING BLACK 35X60MM SIP	
13	9100002459	1	CHAIN W/EYELET GROUND KIT	

Part Notes:

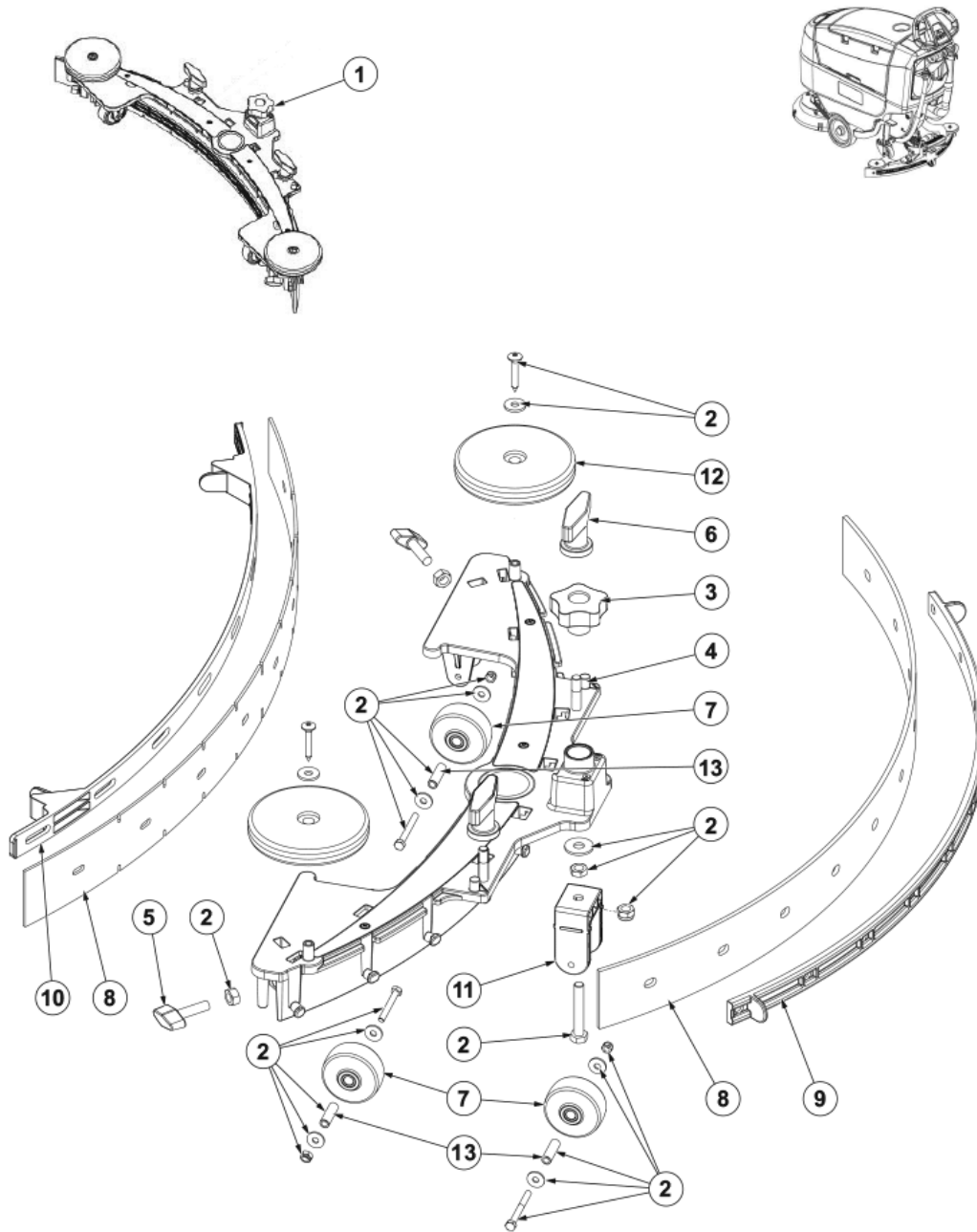
[1] - OPTIONAL



Pos.	Réf article	Qté	Désignation	Notes
1	140 9214 040	9	VIS TORX 40X14 MM FZB	
2	9100002437	1	SCREW M5X20 TORX ISO7380-2 10 PCS SET	
3	9100002467	1	COVER PLAST. F HANDLE BAR SIP	
4	9100002016	2	CARTE ELECTRONIQUE SC250	
5	9100002468	1	HARNESS DASHBOARD SIP	
6	9100002469	2	HARNESS HANDLE BAR SENSORS SIP	
7	9100002472	1	CONTROLLER USER INTERFACE 24V SIP	
8	9100002553	1	COVER CENTRAL PLAST. F HANDLE BAR SIP	
9	9100002554	1	FRAME PLAST. F HANDLE BAR SIP	



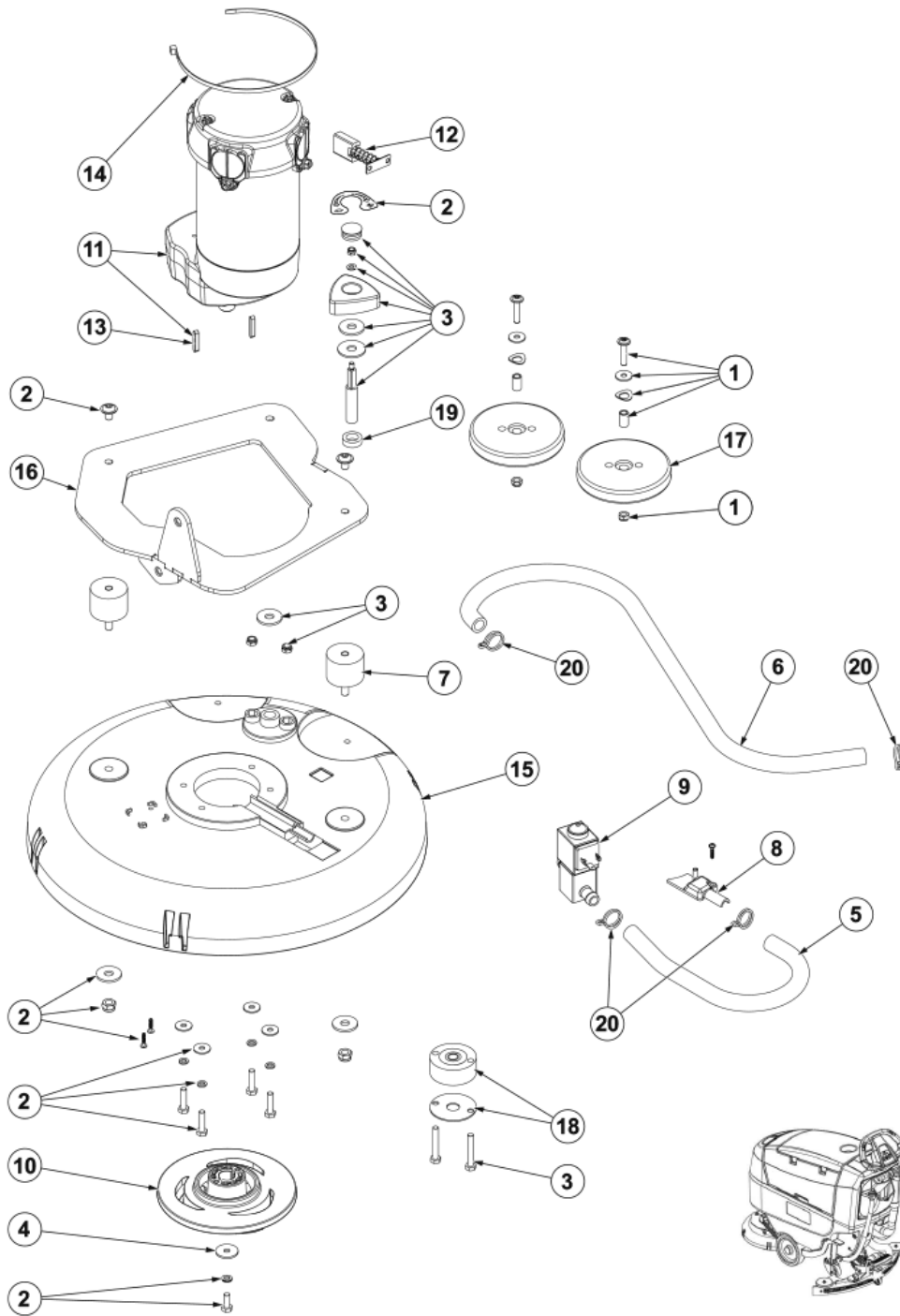
Pos.	Réf article	Qté	Désignation	Notes
1	9100002475	1	HARDWARE REAR WHEELS SYSTEM KIT	
2	33023223	1	KIT DE 10 RONDELLES M8 DIN127-B	
3	910000902	1	KIT FLASQUE ROUL 2 PCS	
4	910000903	1	RONDELLE GTM 3254-015 PKD	
5	910000853	1	KIT SUPPORT INFERIEUR D EMBOUCHURE F	
6	910000854	1	KIT LEVIER D EMBOUCHURE 2 PCS	
7	910000856	1	ROUE PIVOTANTE D.80 2 PCS	
8	9100002473	1	SUPPORT ALU F REAR WHEELS-SQUEEGEE SIP	
9	33023660	2	WASHER PLAIN M8X24X2 ISO7093 5 PCS SET	
10	9100002400	1	KIT SUPPORT D EMBOUCHURE F	
11	9100002401	1	KIT RESSORT	
12	9100002396	1	SLEEVE RUBBER BLACK F SUCTION HOSE SIP	
13	910000803	1	COUDE SOUPE	
14	9100002474	1	HOSE PVC W/SPIRAL D.12X18 L.100MM SIP	
15	9100001159	1	COLLIER METAL SERRAGE AUTO Ø18 10 PCS	
16	910000860	1	FILTRE A EAU	
17	910000861	1	KIT GRILLE DE FILTRE A EAU RENFORCE	



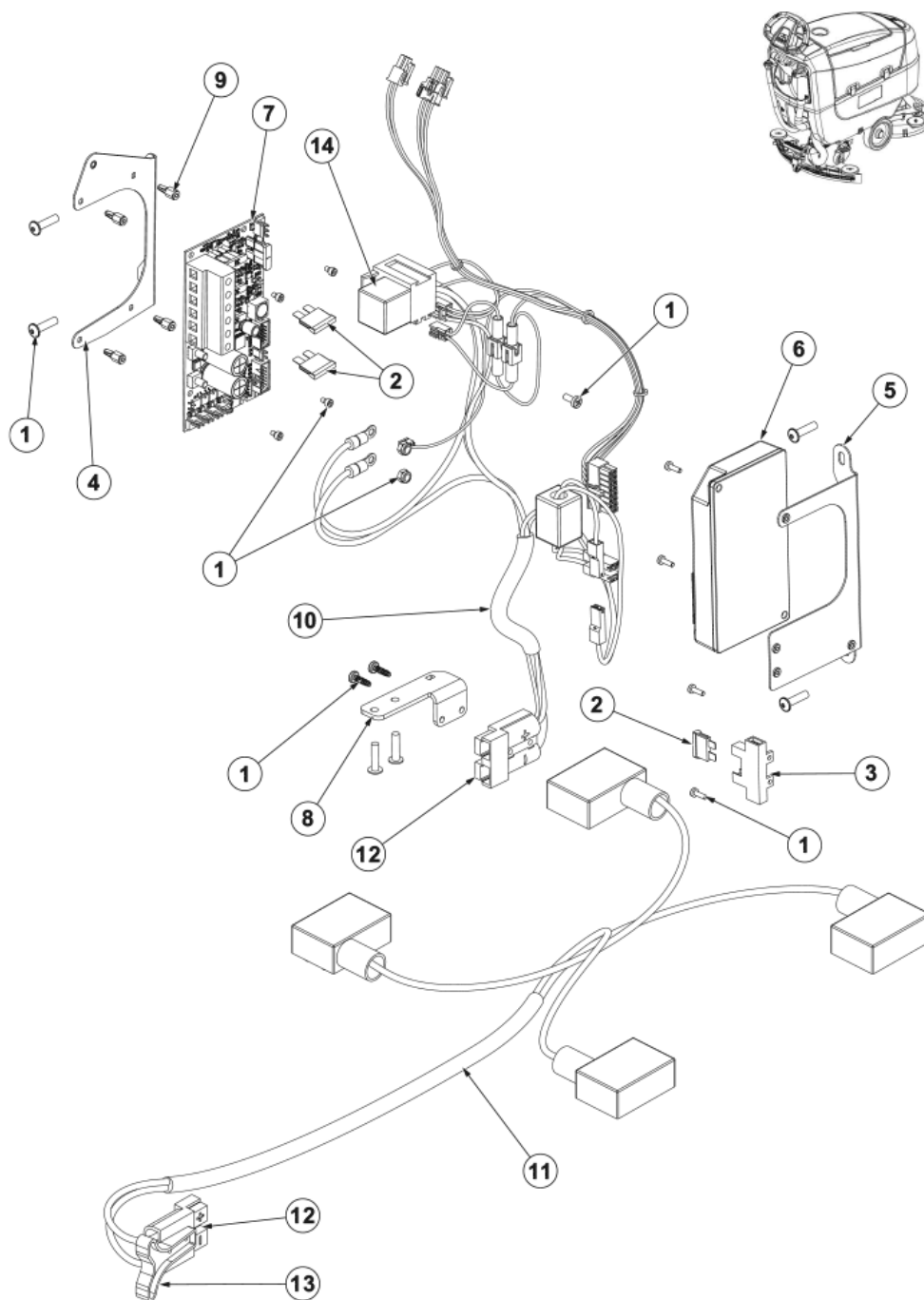
Pos.	Réf article	Qté	Désignation	Notes
1	9100002570	1	SQUEEGEE 700MM 28 PLAST. KIT	
2	9100000748	1	KIT DE FIXATION EMBOUCHURE	
3	9100000862	1	BOUTON M8 FEMELLE	
4	9100000747	1	EMBOUCHURE 730MM/29' PRE-ASSEMBLE	
5	9100000791	2	BOUTON M8X30 SS PKD	
6	9097637000	1	KIT PAPILLONS FIXATION EMBOUCHURE 2PCS	
7	9100000559	3	ROULETTE GRISE D EMBOUCHURE D51	
8	9100002541	1	COMPTEUR HORAIRE	[1]
8	9100002542	1	KIT PORT USB	[1]
8	9100002543	1	KIT CHIMIE MCE	[1]
9	9100000864	1	STRAP ELASTIQUE ARR LAME D'EMBOUCHURE	
10	9100000865	1	STRAP ELASTIQUE AVANT LAME D'EMBOUCHURE	
11	9100000866	1	SUPPORT ROUE EMBOUCHURE	
12	9100001816	1	KIT ROUES DE PROTECTION D100 PLAST. 2PCS	
13	9100002408	1	KIT ENTRETOISES PLAST. 5.1X8X28.5 3 PCS	

Part Notes:

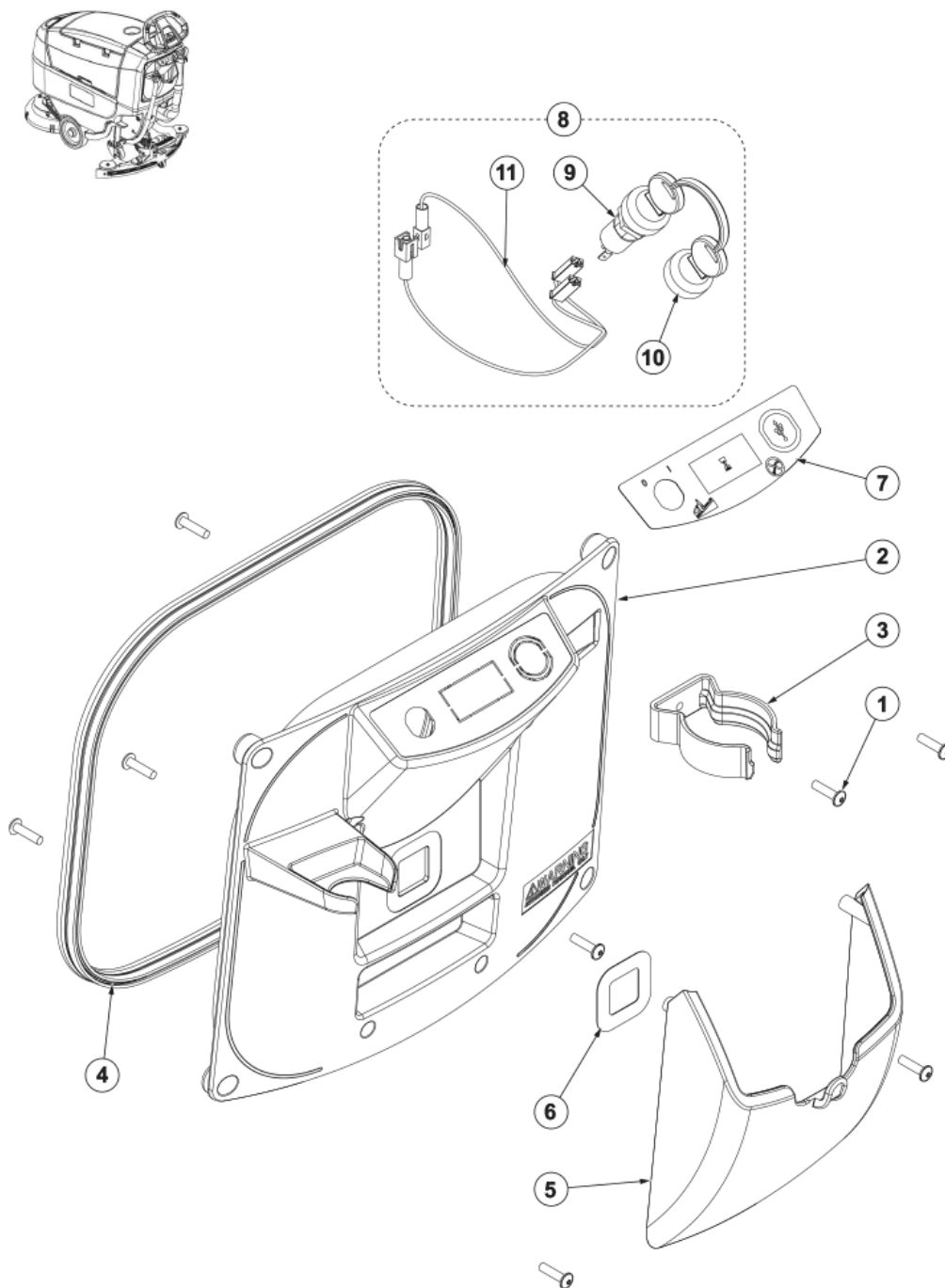
[1] - OPTIONAL



Pos.	Réf article	Qté	Désignation	Notes
1	9100002481	1	HARDWARE BUMPER WHEELS KIT	
2	9100002482	1	HARDWARE BUSH DECK KIT	
3	9100002483	1	KNOB BRUSH SPEED ADJUSTM. KIT	
4	9100001272	1	KIT RONDELLES M6X24 SS ISO7093 10 PCS	
5	9100002479	1	HOSE PVC W/SPIRAL D.12X18 L.330MM SIP	
6	9100002480	1	HOSE PVC W/SPIRAL D.12X18 L.800MM SIP	
7	9100000868	1	LOT DE 2 AMORTIS ANTIVIBRATION M8 60SHOR	
8	9100000869	1	RACCORD DE TUYAU SUR PLATEAU BROSSEUR	
9	9100000870	1	ELECTROVANNE 24V	
10	9100000871	1	MOYEU DE BROSSE	
11	9100000874	1	MOTEUR REDUCTE 450W 24V	
12	9098376000	1	KIT CHARBONS MOTEUR DE BROSSE	
13	9100000875	1	CLAVETTES 5X5X30 DIN6885 2 PCS	
14	9100002449	1	TIE CABLE 4.8X500 BLACK 2 PCS SET	
15	9100002477	1	DECK BRUSH 430MM/17 PLAST. SIP	
16	9100002478	1	PLATE BRUSH DECK HOLDER GALV. SIP	
17	9100001816	1	KIT ROUES DE PROTECTION D100 PLAST. 2PCS	
18	L08812780	1	KIT PLAQUE SUPPORT	
19	9100002484	1	SPACER D.12.5X20 H.6 PLAST. SIP	
20	9100001159	1	COLLIER METAL SERRAGE AUTO Ø18 10 PCS	



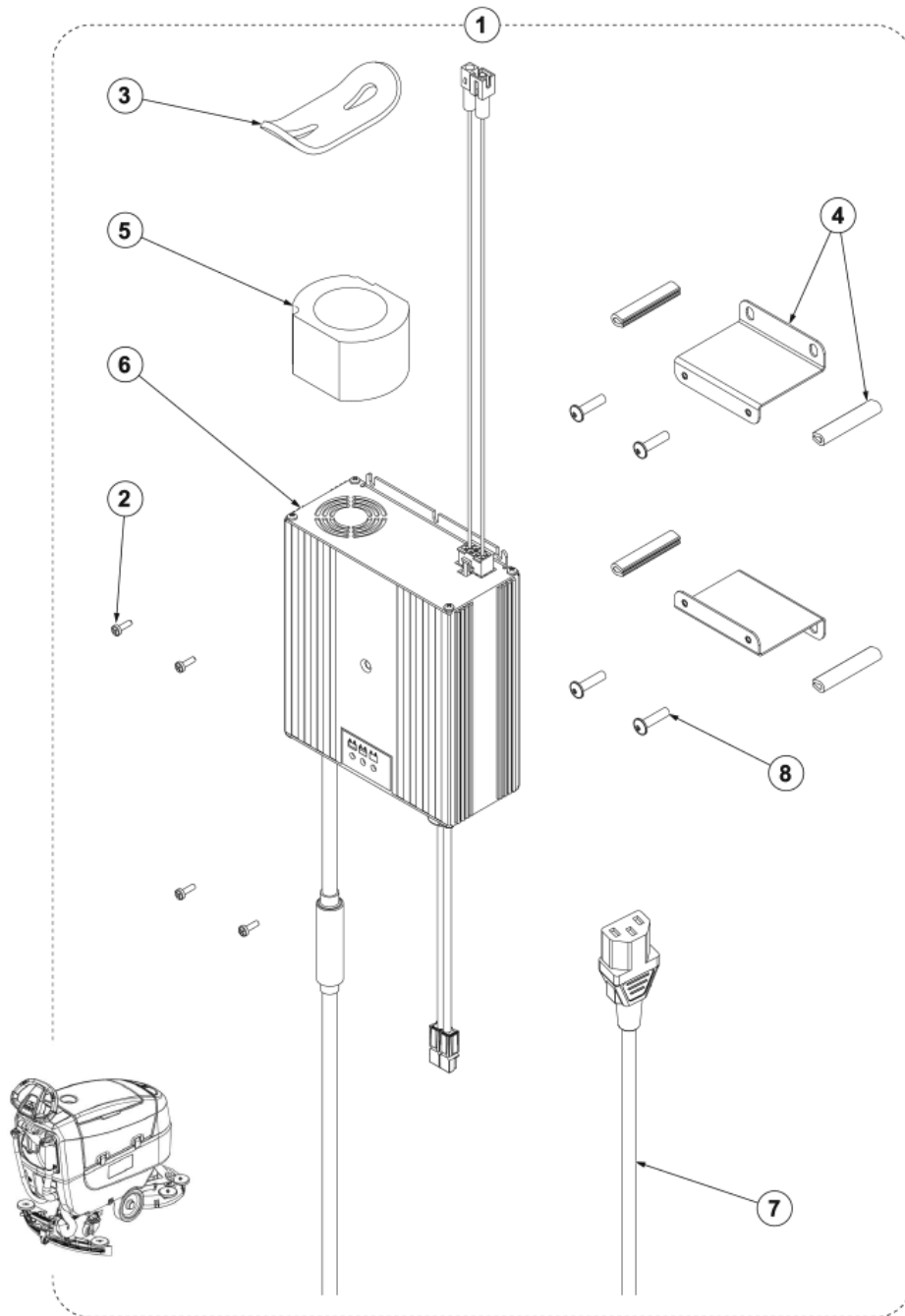
Pos.	Réf article	Qté	Désignation	Notes
1	9100002492	1	HARDWARE ELECTRICAL SYST. KIT	
2	145 8513 000	3	FUSIBLE 30 A	
3	1467035000	1	KIT SUPPORT FUSIBLE CAVALIER UL 94-V0	
4	9100002485	1	SUPPORT GALV. F CONTR. MAIN MACH. BA SIP	
5	9100002486	1	SUPPORT GALV. F CONTR. DRIVE WHEEL SIP	
6	9100002493	1	CONTROLLER DRIVE WHEEL SIP	
7	9100002494	1	CONTROLLER MAIN MACHINE BAT SIP	
8	9100002487	1	SUPPORT GALV. F BATTERY CONNECTOR SIP	
9	9100002488	1	SUPPORT THD PLAST F CONTROLLER 4 PCS SET	
10	9100002489	1	HARNESS ELECT.COMP.BOX BA DRIVE SIP	
11	9100002490	1	HARNESS BATTERY EU SIP	
12	9100002248	2	KIT PRISE ROUGE 50A	
13	9100000885	1	HANDLE FOR BATTERY CONNECTOR PKD	
14	145 3712 000	1	RELAIS 24V	



Pos.	Réf article	Qté	Désignation	Notes
1	9100002437	1	SCREW M5X20 TORX ISO7380-2 10 PCS SET	
2	9100002495	1	COVER PLAST. ELECT. COMP. BOX DRIVE SIP	
3	909 6380 000	1	SUPPORT FLEXIBLE D 50 SS	
4	9100002496	1	GASKET BULB REINFORCED L.1050MM SIP	
5	9100002497	1	POCKET PLAST. F ELECTR. BOX COVER SIP	
6	9100002498	1	DECAL TRANSP.BOX F EL.COVER INSPECT. SIP	
7	9100002499	1	DECAL ELECTRIC BOX COVER BA SIP	
8	9100002532	1	JUPE ANTI ÉCLABOUSSURE AVEC POILS - 432	[1]
9	9100001354	1	CONTACTEUR A CLEF COMPLET	
10	146 2887 000	1	CLEF 430S/510S/BA600S650S	
11	9100002501	1	HARNESS SWITCH STARTER SIP	

Part Notes:

[1] - OPTIONAL - SEE INST. INSTR. 9100002549



PL BATTERY CHARGER

SCRUBTEC 344 B COMBI ALT

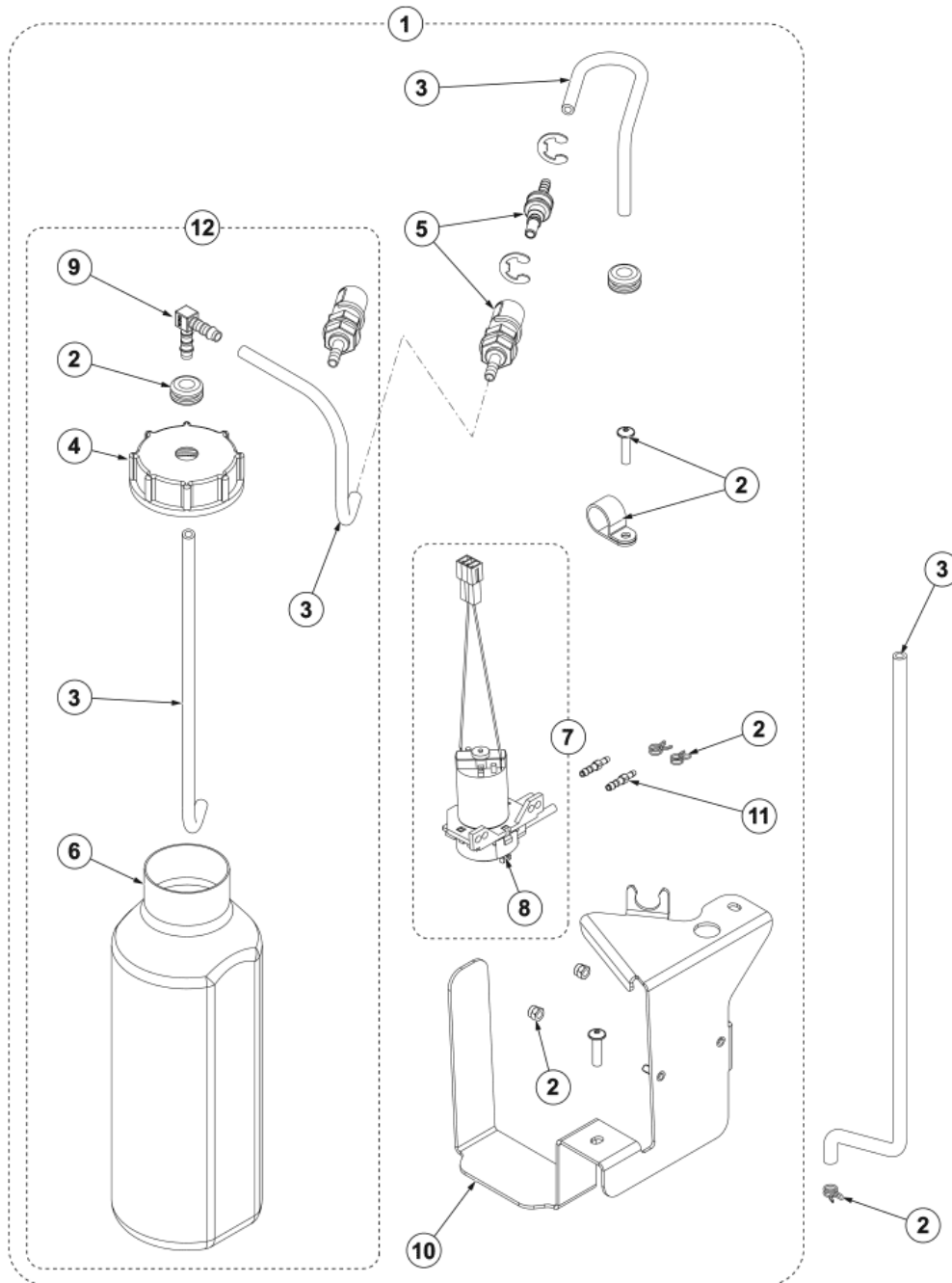
2017.11.02

2017.12.06

Pos.	Réf article	Qté	Désignation	Notes
1	9100002545	1	CHARGER BATT O/B 24V 10A 100-240V EU KIT	[1]
2	9100002502	1	SCREW M3X10 PAN HD ISO7045 10 PCS SET	
3	9100000829	1	BANDE ELASTIQUE POUR EXTENSION CABLE	
4	9100002503	1	SUPPORT GALV. F BATTERY CHARG. KIT	
5	9100002504	1	SLEEVE RUBBER BLACK F BATT. CHARGER SIP	
6	9100002505	1	CHARGER BATT.O/B 24V 10A 100-240V EU SIP	
7	9100000787	1	CABLE ALIMENTATION+PRISE EU PLUG L=20M	
7	1466318000	1	CABLE EXTENSION UK PLUG L.2000MM SIP	
8	9100002437	1	SCREW M5X20 TORX ISO7380-2 10 PCS SET	

Part Notes:

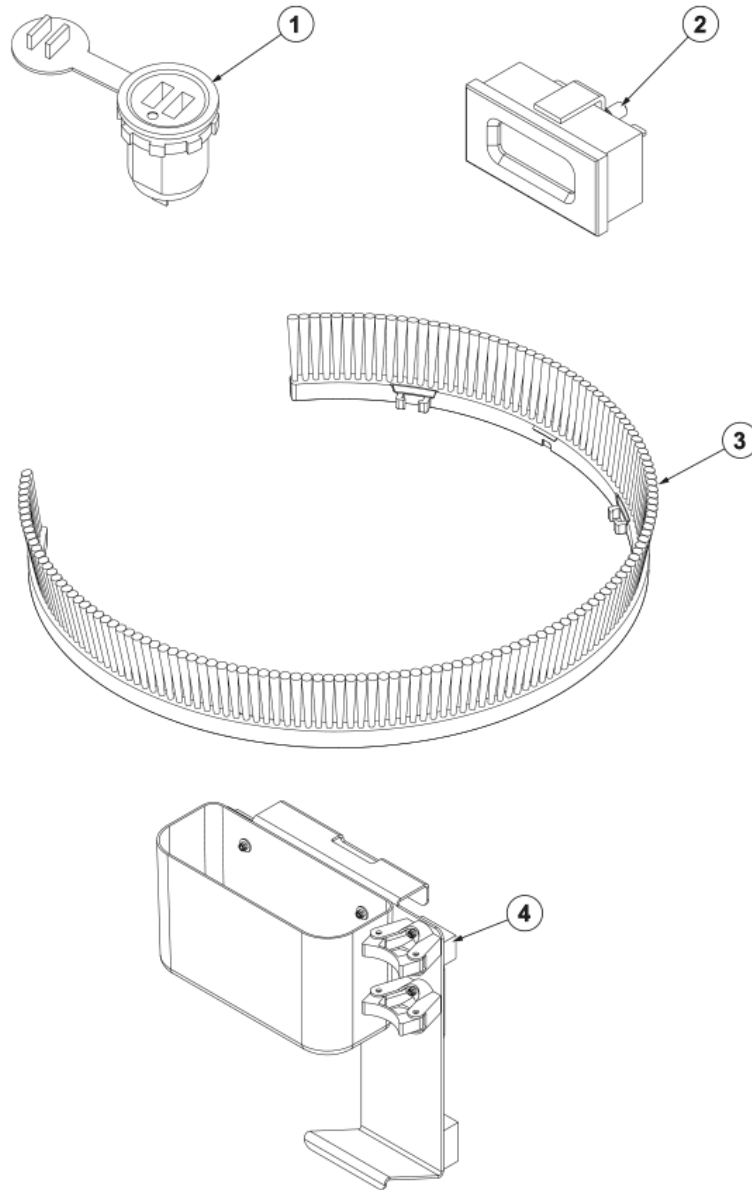
[1] - OPTIONAL - SEE INST. INSTR. 9100002551



Pos.	Réf article	Qté	Désignation	Notes
1	9100002531	1	RACCORD DE CONNEXION TUYAU	[1]
2	9100002510	1	HARDWARE DETERGENT SYSTEM KIT	
3	9100002534	1	HOSES SILICONE D.4X7 KIT	
4	301001004	1	COUVERCLE	
5	9100002508	1	HOLDERS RUBBER KIT	
6	31000912	1	BIDON 1L SANS BOUCHON	
7	9100002398	1	PUMP DETERG. MIX PERISTALTIC 24V SIP	
8	9100002388	1	TÊTE DE POMPE PERISTALTIQUE DETERGENT	
9	L08603189	1	RACCORD EN L	
10	9100002509	1	SUPPORT GALV. F PERISTALTIC PUMP SIP	
11	9100002402	1	BARB HOSE STRAIGHT D.5-D.4 2 PCS SET	
12	9100002575	1	BIDON DE CHIMIE 1 L	

Part Notes:

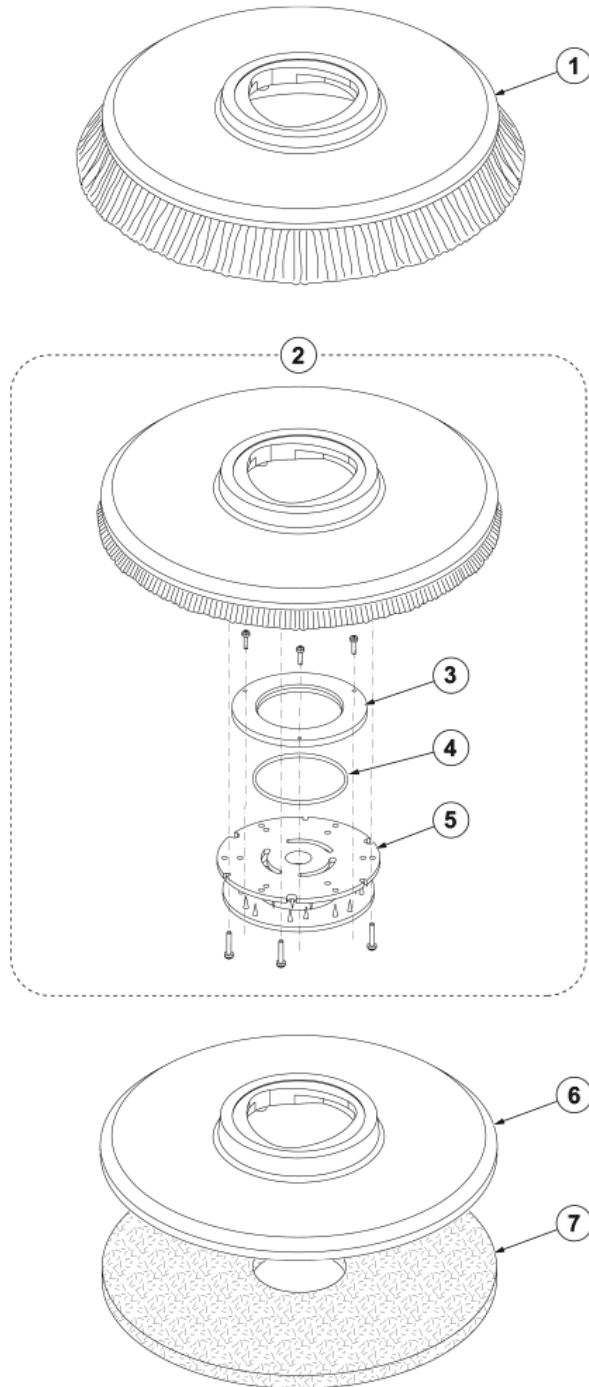
[1] - OPTIONAL - SEE INST. INSTR. 9100002550



Pos.	Réf article	Qté	Désignation	Notes
1	9100002258	1	KIT LAMELLES RED GUM 730MM 29	[1]
2	9100002257	1	KIT LAMELLES PU 730MM 29	[2]
3	9100001927	1	KIT LAMELLES CAOUTCHOUC 730MM 29	[3]
4	9100002280	1	MOP AND TRASH KIT	[3]

Part Notes:

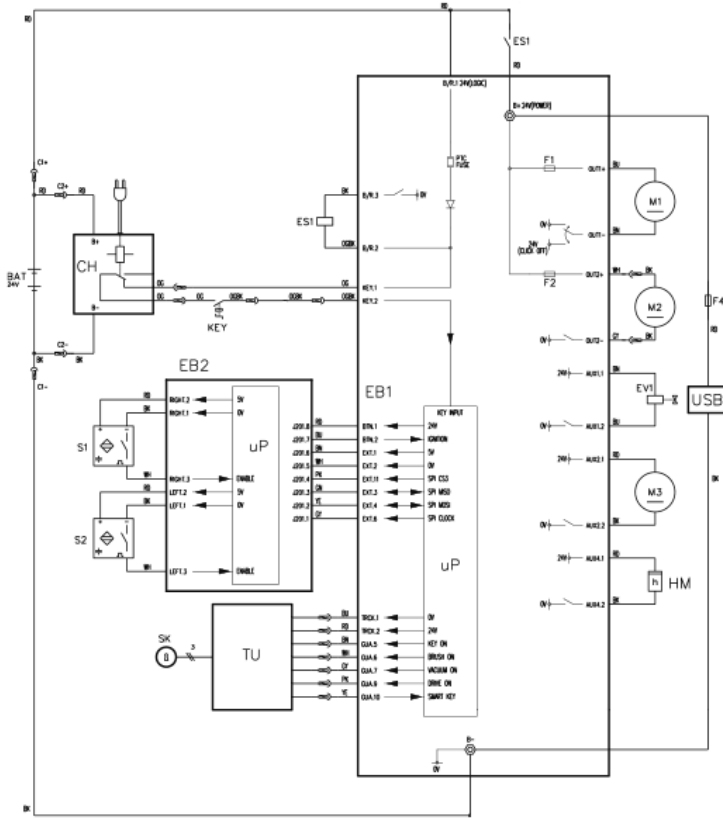
- [1] - TEMPORARY BLOCKED BY PRODUCT MANAGER
OPTIONAL - SEE INST. INSTR. 9100002548
- [2] - OPTIONAL - SEE INST. INSTR. 9100002547
- [3] - OPTIONAL



Pos.	Réf article	Qté	Désignation	Notes
1	L08812891	1	BROSSE PROLENE D430MM	[1]
1	909 5691 000	1	BROSSE MIDLITE GRIT D 430	[1]
1	909 5692 000	1	BROSSE MIDGRIT 240 D430	[1]
1	909 5693 000	1	BROSSE PROLITE D 430MM	[1]
1	909 5694 000	1	BROSSE VEGETALE UNION MIX	[1]
2	9100001897	1	PLATEAU SUP.DE DISQUE 430MM AV.CENTREUR	[1]
3	L08603966	1	JOINT PLATEAU	
4	L08603965	1	JOINT 2.62X82.22 -3325-NBR 40SH	
5	56505195	1	CENTREUR DE DISQUE	
6	9100002050	1	PLATEAU SUPPORT DE DISQUE 17 432MM	[1]
7	10001936	1	LOT DE 5 DISQUES BLANC ECOPAD DIAM 432	[1]
7	10001937	1	LOT DE 5 DISQUES BRONZE ECOPAD DIAM 432	[1]
7	10001938	1	LOT DE 5 DISQUES NOIR ECOPAD DIAM 432	[1]
7	10001939	1	LOT DE 5 DISQUES B ECOPAD DIAM 432	[1]
7	10001940	1	LOT DE 5 DISQUES VERT ECOPAD DIAM 432	[1]
7	10001941	1	LOT DE 5 DISQUES ROUGE ECOPAD DIAM 432	[1]
7	10002336	1	DISQUES 17 430MM ECO BRILLIANCE RED 2PCS	[1]
7	10002337	1	DISQUES 17 430MM ECO BRILLIANCE BLUE 2PC	[1]
7	10002338	1	DISQUES 17 430MM ECO BRILLIANCE YELLOW 2	[1]
7	10002339	1	DISQUES 17 430MM ECO BRILLIANCE GREEN 2P	[1]

Part Notes:

[1] - OPTIONAL



Pos.	Réf article	Qté	Désignation	Notes
BAT			BATTERIES	
C1	9100002248		KIT PRISE ROUGE 50A	
C2			CONNECTOR	
CH	9100002505		CHARGER BATT.O/B 24V 10A 100-240V EU SIP	
EB1	9100002494		CONTROLLER MAIN MACHINE BAT SIP	
EB2	9100002472		CONTROLLER USER INTERFACE 24V SIP	
ES1	145 3712 000		RELAIS 24V	
EV1	9100000870		ELECTROVANNE 24V	
F1	145 8513 000		FUSIBLE 30 A	
F2	145 8513 000		FUSIBLE 30 A	
F4			FUSE	
HM	9100002257		KIT LAMELLES PU 730MM 29	
KEY	9100001354		CONTACTEUR A CLEF COMPLET	
M1	9100000874		MOTEUR REDUCTE 450W 24V	
M2	9100000823		MOTEUR ASPIRATION 24V 280W	
M3	9100002398		PUMP DETERG. MIX PERISTALTIC 24V SIP	
S1,S2	9100002016		CARTE ELECTRONIQUE SC250	
SK			SMART KEY	
TU			TRACK CLEAN	
USB	9100002258		KIT LAMELLES RED GUM 730MM 29	[1]

Part Notes:

- [1] - TEMPORARY BLOCKED BY PRODUCT MANAGER

PL RECOMMENDED PARTS

SCRUBTEC 344 B COMBI ALT

2017.11.02

2017.10.26

Pos.	Réf article	Qté	Désignation	Notes
NW	910000920	1	CARBON BRUSHES W/HOLDER KIT	
NW	9100002541	1	COMPTEUR HORAIRE	
NW	9100002542	1	KIT PORT USB	
NW	9100002543	1	KIT CHIMIE MCE	
NW	9098376000	1	KIT CHARBONS MOTEUR DE BROSSE	
OM	9100000703	1	FLEXIBLE DE REMPLISSAGE EAU PROPRE	
OM	9100002431	1	HOSE FRESH WATER LEV. W/CAP KIT	
OM	9100002443	1	HOSE DRAIN BLACK L.530MM SIP	
OM	9100002444	1	HOSE SUCTION SQUEE. 90 BLACK L.970MM SIP	
OM	9100002447	1	GASKETS VAC. MOTOR KIT	
OM	9100000823	1	MOTEUR ASPIRATION 24V 280W	
OM	9100002462	2	WHEEL D.200X50 TPE BLACK/GREY SIP	
OM	9100002546	1	WHEEL FRONT D.200 PU GREY-BLACK 2PCS SET	
OM	9100000856	1	ROUE PIVOTANTE D.80 2 PCS	
OM	9100002396	1	SLEEVE RUBBER BLACK F SUCTION HOSE SIP	
OM	9100000861	1	KIT GRILLE DE FILTRE A EAU RENFORCE	
OM	9100002570	1	SQUEEGEE 700MM 28 PLAST. KIT	
OM	9100000862	1	BOUTON M8 FEMELLE	
OM	9100000747	1	EMBOUCHURE 730MM/29' PRE-ASSEMBLE	
OM	9100000559	3	ROULETTE GRISE D EMBOUCHURE D51	
OM	9100000864	1	STRAP ELASTIQUE ARR LAME D'EMBOUCHURE	
OM	9100000865	1	STRAP ELASTIQUE AVANT LAME D'EMBOUCHURE	
OM	9100001816	1	KIT ROUES DE PROTECTION D100 PLAST. 2PCS	
OM	9100000870	1	ELECTROVANNE 24V	
OM	9100000871	1	MOYEU DE BROSSE	
OM	9100000874	1	MOTEUR REDUCTE 450W 24V	
OM	9100001816	1	KIT ROUES DE PROTECTION D100 PLAST. 2PCS	
OM	9100000870	1	ELECTROVANNE 24V	
OM	9100000871	1	MOYEU DE BROSSE	
OM	9100000874	1	MOTEUR REDUCTE 450W 24V	
OM	9100001816	1	KIT ROUES DE PROTECTION D100 PLAST. 2PCS	
OM	145 8513 000	3	FUSIBLE 30 A	
OM	9100002534	1	HOSES SILICONE D.4X7 KIT	
OM	9100002388	1	TÊTE DE POMPE PERISTALTIQUE DETERGENT	
EOM	9100002480	1	HOSE PVC W/SPIRAL D.12X18 L.800MM SIP	
EOM	9100002478	1	PLATE BRUSH DECK HOLDER GALV. SIP	
EOM	9100002483	1	KNOB BRUSH SPEED ADJUSTM. KIT	
EOM	9100002479	1	HOSE PVC W/SPIRAL D.12X18 L.330MM SIP	
EOM	9100002480	1	HOSE PVC W/SPIRAL D.12X18 L.800MM SIP	
EOM	9100002477	1	DECK BRUSH 430MM/17 PLAST. SIP	
EOM	9100002494	1	CONTROLLER MAIN MACHINE BAT SIP	
EOM	9100002489	1	HARNESSE ELECT.COMP.BOX BA DRIVE SIP	
EOM	9100002490	1	HARNESSE BATTERY EU SIP	
EOM	9100002248	2	KIT PRISE ROUGE 50A	
EOM	1467035000	1	KIT SUPPORT FUSIBLE CAVALIER UL 94-V0	
EOM	145 3712 000	1	RELAIS 24V	
EOM	9100002496	1	GASKET BULB REINFORCED L.1050MM SIP	
EOM	9100002532	1	JUPE ANTI ÉCLABOUSSURE AVEC POILS - 432	
EOM	9100001354	1	CONTACTEUR A CLEF COMPLET	
EOM	146 2887 000	1	CLEF 430S/510S/BA600S650S	
EOM	9100002501	1	HARNESSE SWITCH STARTER SIP	
EOM	9100002545	1	CHARGER BATT O/B 24V 10A 100-240V EU KIT	
EOM	9100002504	1	SLEEVE RUBBER BLACK F BATT. CHARGER SIP	
EOM	9100002505	1	CHARGER BATT.O/B 24V 10A 100-240V EU SIP	
EOM	9100000787	1	CABLE ALIMENTATION+PRISE EU PLUG L=20M	
EOM	1466318000	1	CABLE EXTENSION UK PLUG L.2000MM SIP	
EOM	9100000829	1	BANDE ELASTIQUE POUR EXTENSION CABLE	
EOM	9100002504	1	SLEEVE RUBBER BLACK F BATT. CHARGER SIP	
EOM	301001004	1	COUVERCLE	

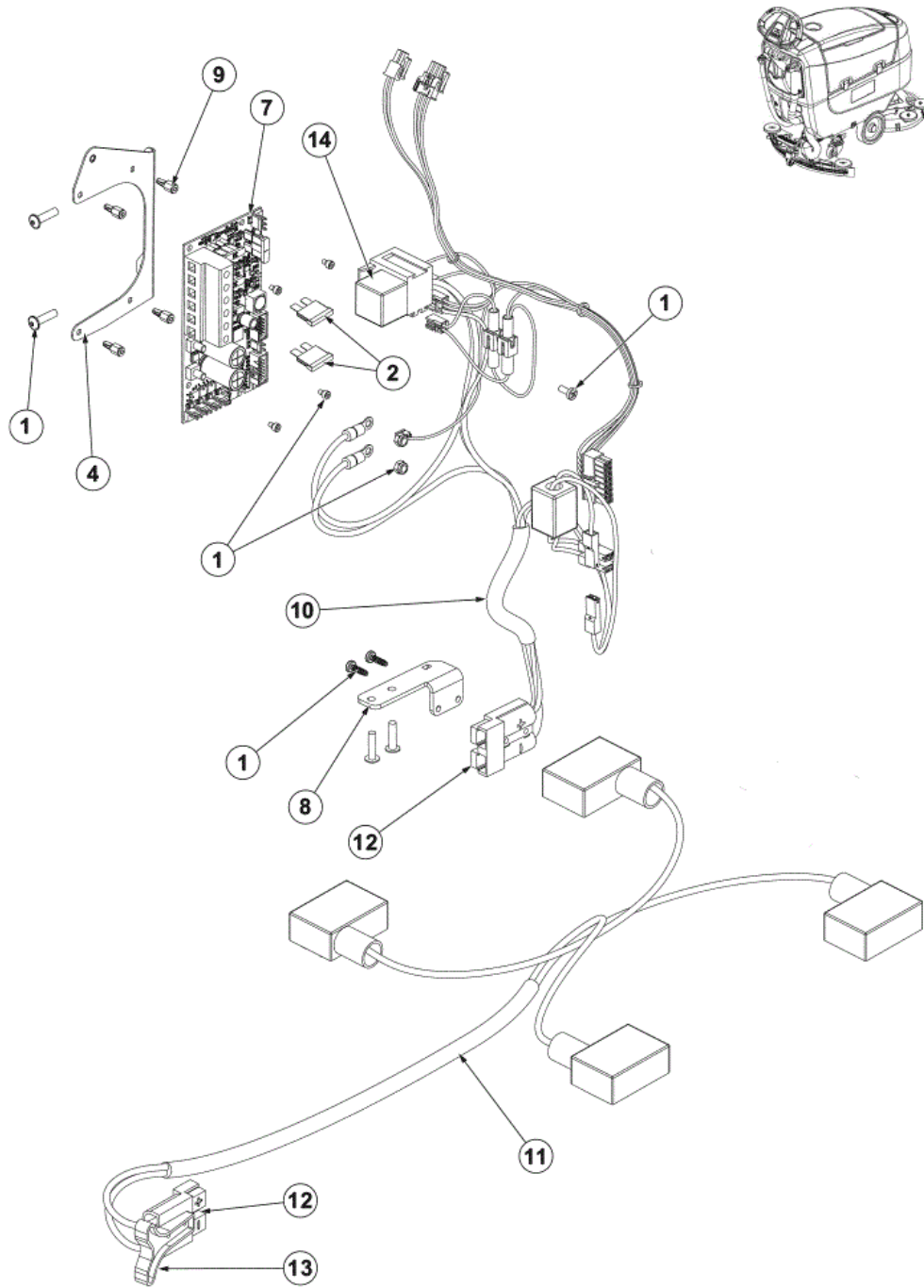
PL RECOMMENDED PARTS

SCRUBTEC 344 B COMBI ALT

2017.11.02

2017.10.26

Pos.	Réf article	Qté	Désignation	Notes
EOM	9100002508	1	HOLDERS RUBBER KIT	
EOM	31000912	1	BIDON 1L SANS BOUCHON	
EOM	9100002398	1	PUMP DETERG. MIX PERISTALTIC 24V SIP	



Pos.	Réf article	Qté	Désignation	Notes
1	9100002492	1	HARDWARE ELECTRICAL SYST. KIT	
2	145 8513 000	3	FUSIBLE 30 A	
4	9100002485	1	SUPPORT GALV. F CONTR. MAIN MACH. BA SIP	
7	9100002494	1	CONTROLLER MAIN MACHINE BAT SIP	
8	9100002487	1	SUPPORT GALV. F BATTERY CONNECTOR SIP	
9	9100002488	1	SUPPORT THD PLAST F CONTROLLER 4 PCS SET	
10	9100002489	1	HARNESS ELECT.COMP.BOX BA DRIVE SIP	
11	9100002490	1	HARNESS BATTERY EU SIP	
12	9100002248	2	KIT PRISE ROUGE 50A	
13	9100000885	1	HANDLE FOR BATTERY CONNECTOR PKD	
14	145 3712 000	1	RELAIS 24V	

