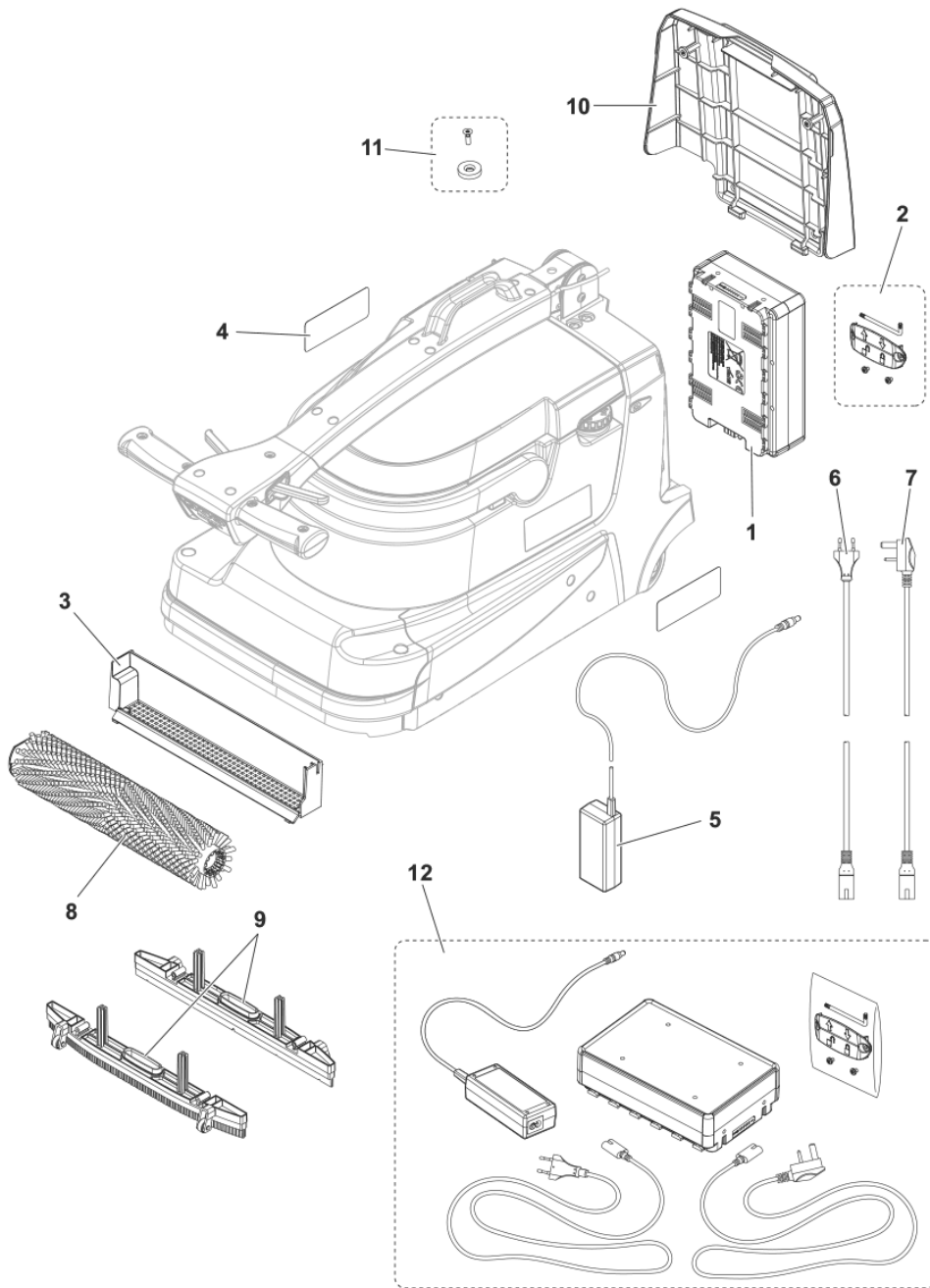


PARTS LIST

2016.12.08

TABLE OF CONTENTS

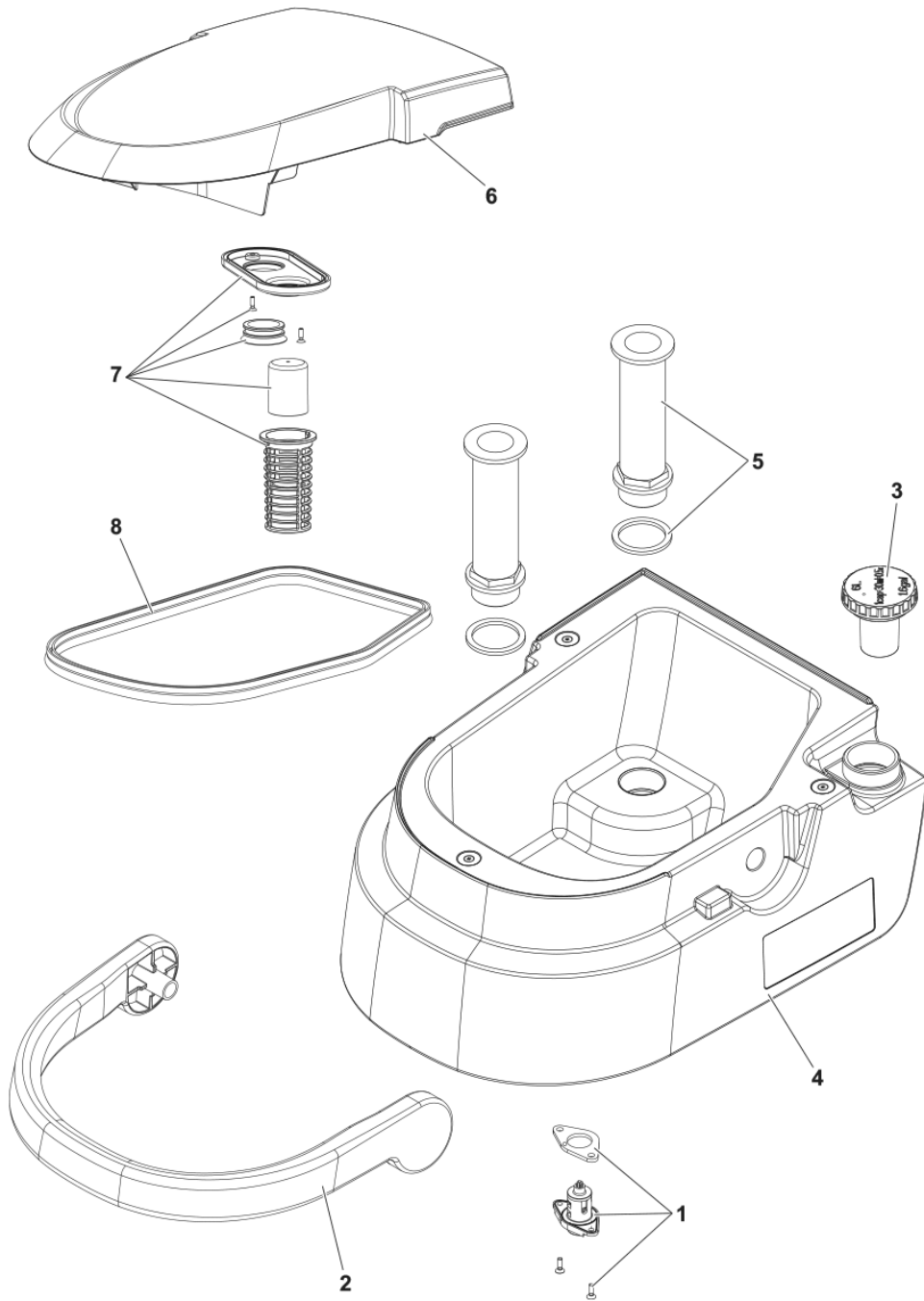
PL GENERAL VIEW	1
PL SOLUTION AND RECOVERY TANK.....	3
PL BRUSH MOTOR.....	5
PL CHASSIS - FIXING AND COVER.....	7
PL CHASSIS - VACUUM AND REAR WHEELS.....	9
PL CHASSIS - SOLUTION AND VAC CHAMBER.....	11
PL CHASSIS - PEDAL WHEELS.....	13
PL HANDLE BAR.....	15
PL WIRING DIAGRAM.....	17
PL RECOMMENDED PARTS - ACCESSORIES.....	19



Pos.	Réf article	Qté	Désignation	Notes
1	9100002070	1	BATTERIE LITHIUM SANS POIGNEE 36V 10S4P	[1]
2	9100002059	1	POIGNEE POUR BATTERIE LITHIUM	
3	9100001964	1	BAC RECUPERATION DEBRIS ORANGE	
4	9100002023	1	DECALS NILFISK SCRUBTEC 334 KIT	
5	9100002058	1	CHARGEUR BATTERIE LITHIUM 100-240V 1.25A	
6	9100002007	1	CABLE D ALIMENTATION EU 1M	
7	9100002055	1	CABLE POWER SUPPLY LI UK PLUG	[1]
8	9100002066	1	BROSSE CYLIND 340mm NYLON MEDIUM BLANC	[1]
8	9100002067	1	BROSSE CYLIND 340mm GRIT 320 DURE GRISE	[1]
8	9100002068	1	ROULEAU CYLIND 340mm MICROFIBRE	[1]
8	9100002069	1	BROSSE CYLIND 340mm NYLON DOUX NOIR	[1]
9	9100002064	1	EMBOUCHURE 360MM PU 2 PCS	[1]
10	9100002027	1	COVER REAR BLACK KIT	
11	9100002028	1	MAGNETS ROUND KIT	
12	9100002056	1	BATTERIE Li-Ion avec CHARGEUR	[1]

Part Notes:

[1] - OPTIONAL



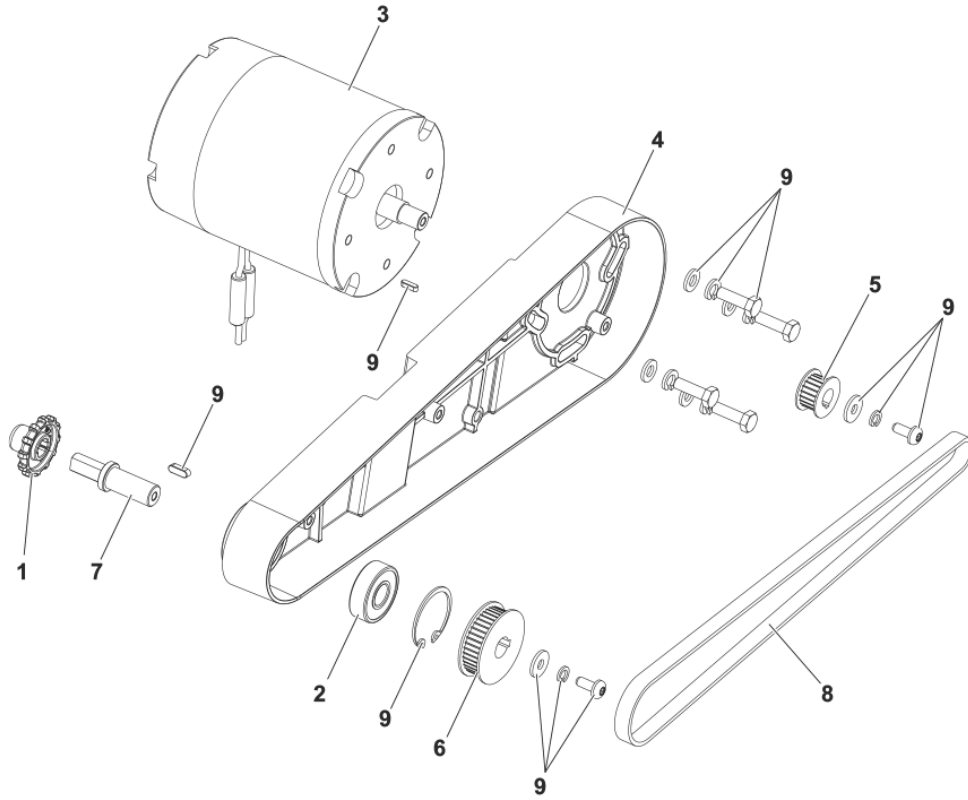
PL SOLUTION AND RECOVERY TANK

SCRUBTEC 334C B NIL

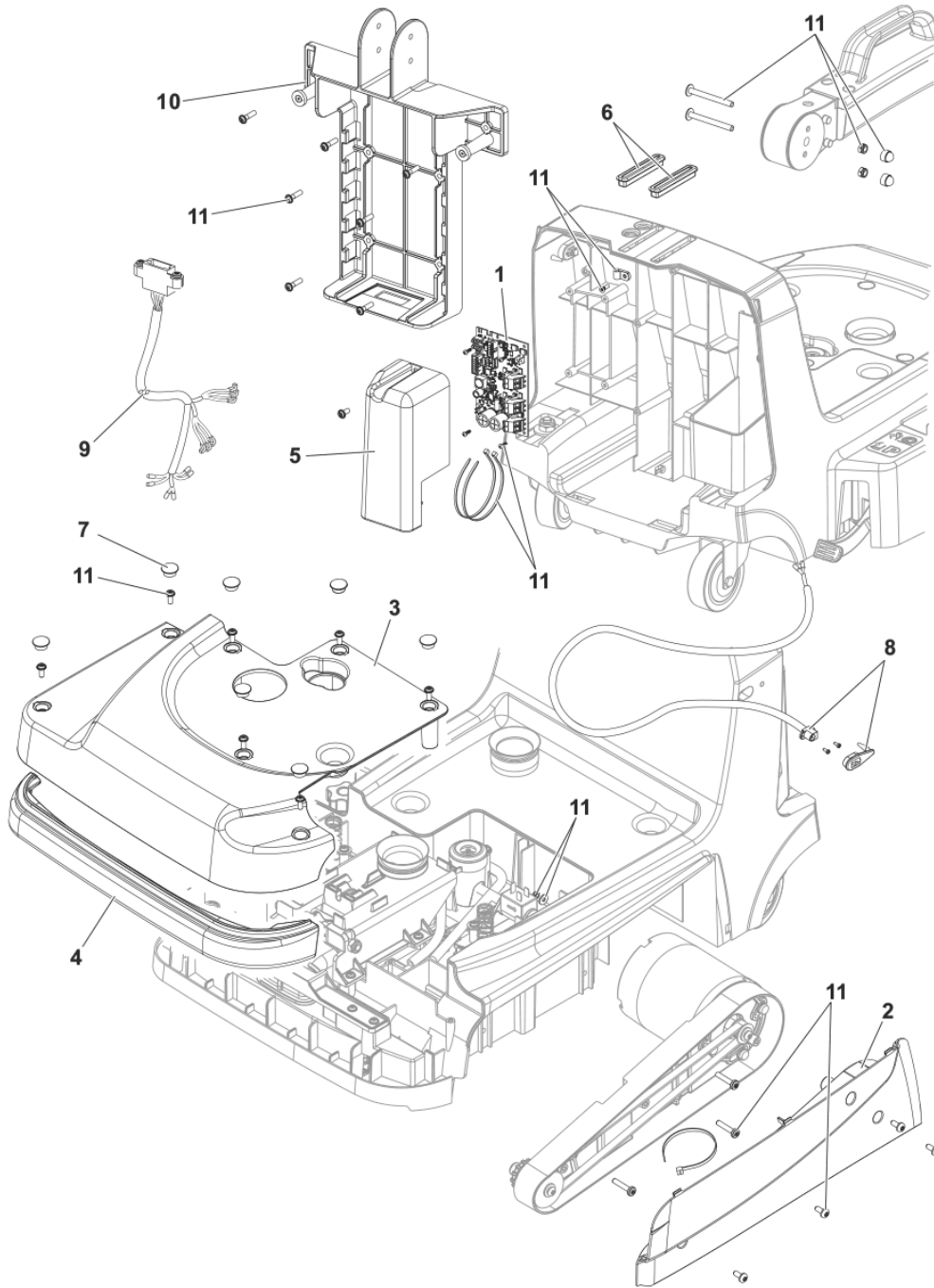
2016.09.12

2016.09.12

Pos.	Réf article	Qté	Désignation	Notes
1	9100002029	1	VALVE F SOLUTION TANK KIT	
2	9100002012	1	HANDLE PLAST. BLACK F TANK PKD	
3	9100001990	1	BOUCHON RESERVOIR EAU PROPRE	
4	9100002031	1	TANK WATER PLAST. 6 LT BLUE KIT	
5	9100002032	2	PIPE PLAST. F TANK KIT	
6	9100002034	1	COVER TANK PLAST. BLUE KIT	
7	9100002035	1	CAGE FLOAT PLAST. BLACK KIT	
8	9100001993	1	GASKET BULB REINFORCED L.1030MM PKD	



Pos.	Réf article	Qté	Désignation	Notes
1	9100001957	1	HUB TRACTION BRUSH PLAST. PKD	
2	9100002018	1	BEARING BALL 6201 2RS1 PKD	
3	9100001966	1	MOTOR BRUSH 180W 36V PKD	
4	9100001967	1	SUPPORT ALU F BRUSH MOTOR PKD	
5	9100001968	1	PULLEY TIMING BELT ALU HTD 20 3M 09 PKD	
6	9100001969	1	PULLEY TIMING BELT ALU HTD 40 3M 09 PKD	
7	9100001970	1	SHAFT GALV. F BRUSH PKD	
8	9100001971	1	COURROIE HTD/OMEGA 669 3M 09	
9	9100002036	1	HARDWARE BRUSH MOTOR KIT	



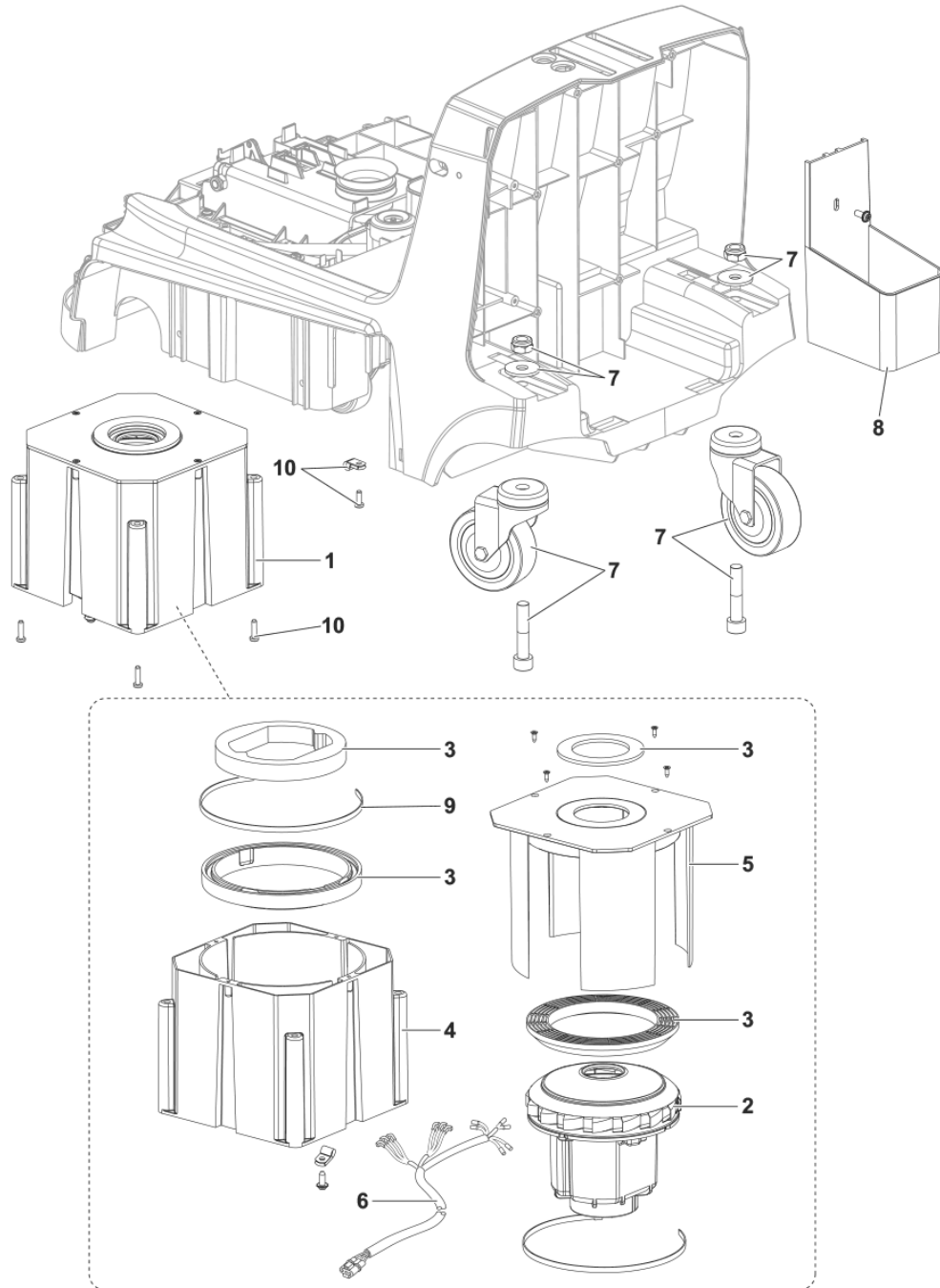
PL CHASSIS - FIXING AND COVER

SCRUBTEC 334C B NIL

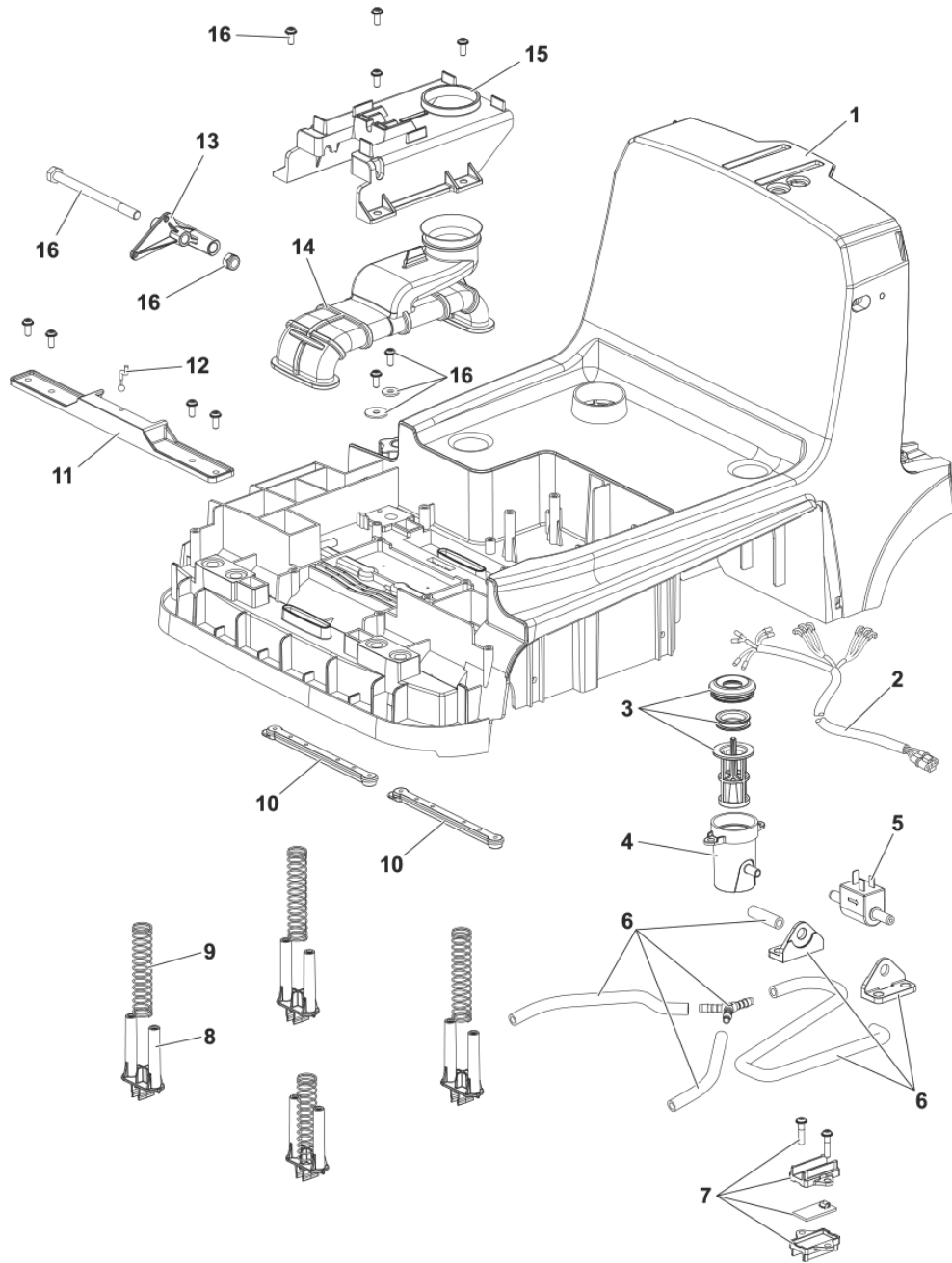
2016.09.12

2016.09.12

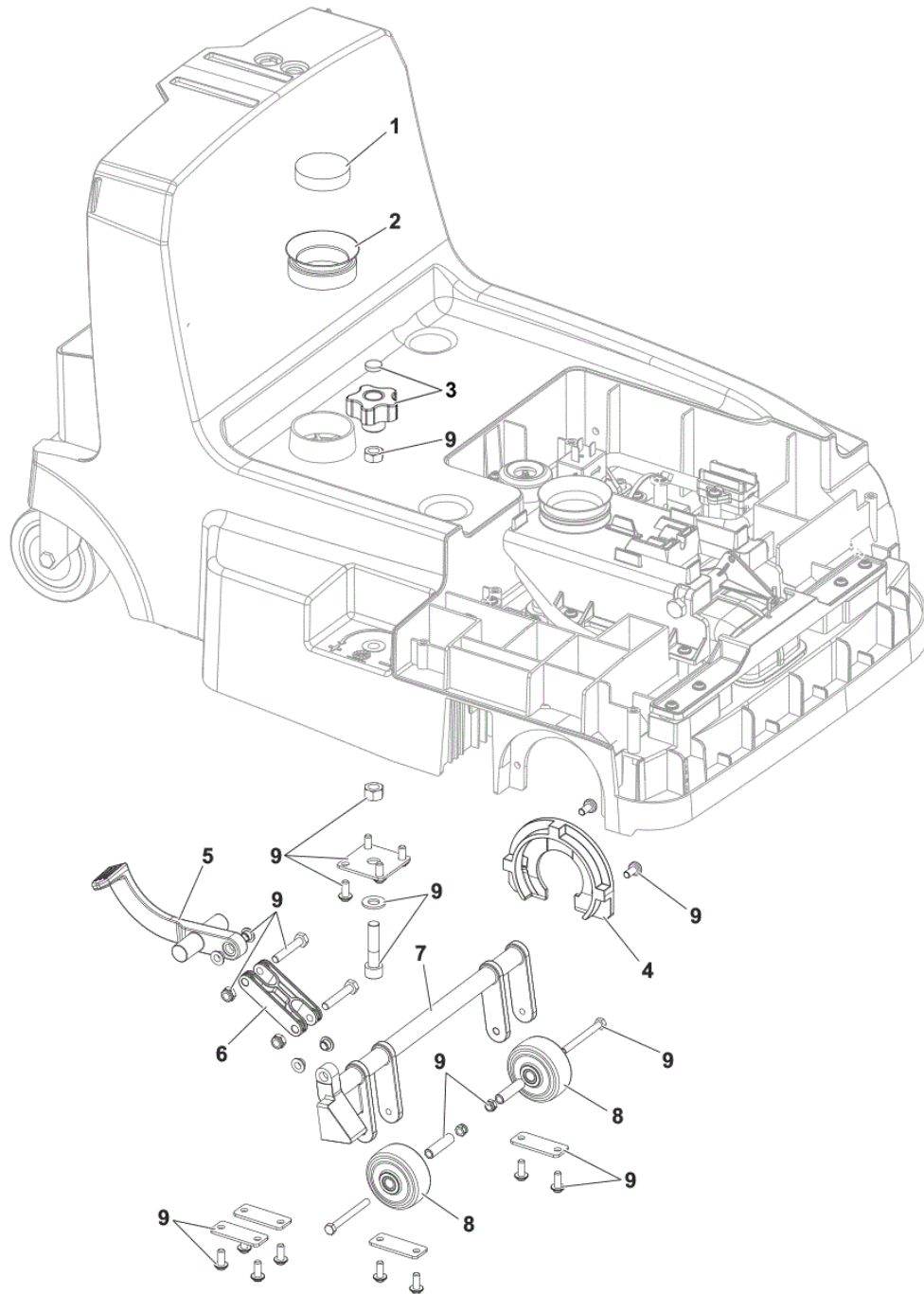
Pos.	Réf article	Qté	Désignation	Notes
1	9100001960	1	CONTROLLER MAIN MACH.P24 PROGR.PKD	
2	9100002011	1	CASING BELT PROTECTION PLAST. BLACK PKD	
3	9100002010	1	CASING UPPER PLAST. BLACK F CHASSIS PKD	
4	9100001988	1	BUMPER FRONT PLAST. PKD	
5	9100001991	1	COVER PLAST.F CONTROLLER MAIN MACH. PKD	
6	9100001994	2	GASKET RUBBER HANDLE FIXING PKD	
7	9100002019	1	CAP PLAST. D.13.25XD.18 BLACK 10 PCS SET	
8	9100002037	1	HARNESS BATTERY CHARGER KIT	
9	9100002038	1	HARNESS BATTERY KIT	
10	9100002039	1	HANDLE FIXING KIT	
11	9100002040	1	HARDWARE CHASSIS KIT	



Pos.	Réf article	Qté	Désignation	Notes
1	9100002041	1	MOTOR VACUUM 36V 200W KIT	
2	9100001987	1	MOTOR VACUUM 36V 200W PKD	
3	9100002042	1	SEALINGS MOTOR VACUUM KIT	
4	9100001983	1	SUPPORT EXT. PLAST. F VAC. MOTOR PKD	
5	9100001989	1	SUPPORT INT. PLAST. F VAC. MOTOR PKD	
6	9100001996	1	HARNES VACUUM MOTOR PKD	
7	9100002045	1	WHEELS CASTOR D.75 KIT	
8	9100001992	1	CONTAINER PLAST. F BATTERY CHARGER PKD	
9	1466337000	1	KIT COMPLET ATTACHES BLANC.2 PCS 4.8X430	
10	9100002046	1	HARDWARE VACUUM SYSTEM KIT	



Pos.	Réf article	Qté	Désignation	Notes
1	9100002009	1	CHASSIS PLAST. BLACK PKD	
2	9100001995	1	HARNES WATER PUMP PKD	
3	9100002047	1	FILTER PLAST. F WATER PUMP KIT	
4	9100001997	1	SUPPORT PLAST. F WATER FILTER PKD	
5	9100001981	1	PUMP WATER 24V 18W 21L/H PKD	
6	9100002048	1	HOSES KIT	
7	9100002049	1	SENSOR CAPACITIVE KIT	
8	9100001977	4	HOLDER SQUEEGEE PLAST. PKD	
9	9100001984	4	SPRING COMPRESS. D.E.17.6 WIRE D.1.2 PKD	
10	9100001975	2	DISPENSER WATER SPRAY SOFT PLAST. PKD	
11	9100001978	1	PLATE ALU SQUEEGEE LIFTER PKD	
12	9100001980	1	HOOK METAL F FRONT SQUEEGEE LIFT. PKD	
13	9100001979	1	ROD LIFTING SQUEEGEE PLAST. PKD	
14	9100001974	1	CHAMBER VACUUMING RUBBER PKD	
15	9100001976	1	SUPPORT PLAST. F VAC. CHAMBER PKD	
16	9100002044	1	HARDWARE SOLUTION VAC CHAMBER KIT	



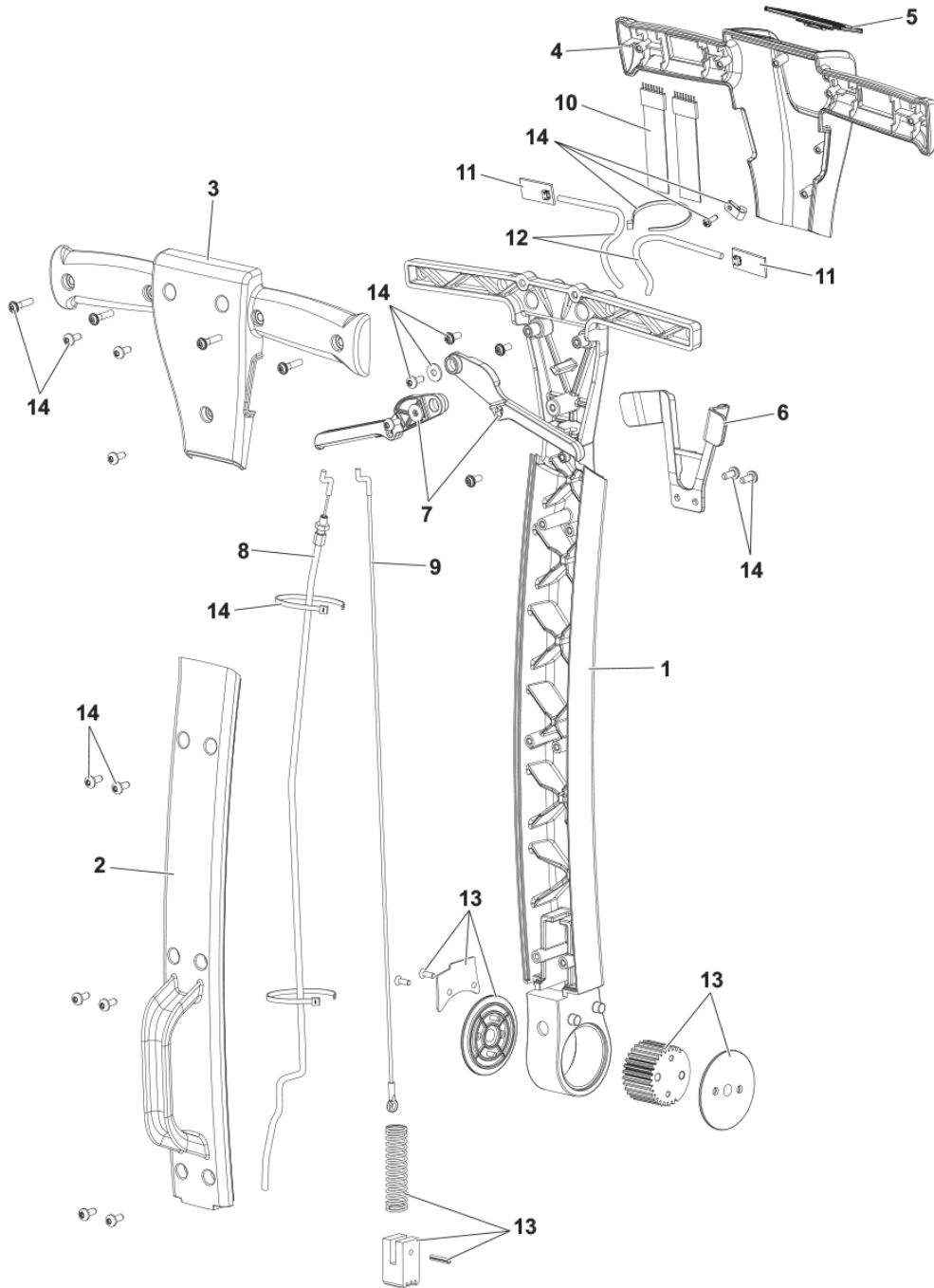
PL CHASSIS - PEDAL WHEELS

SCRUBTEC 334C B NIL

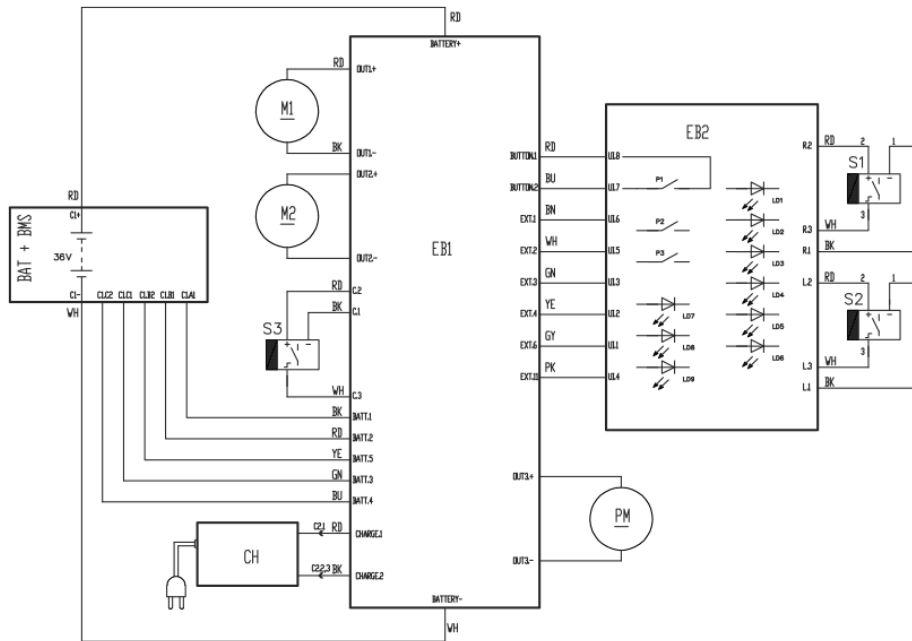
2016.12.06

2016.12.07

Pos.	Réf article	Qté	Désignation	Notes
1	9100001278	1	FILTRE MOTEUR D ASPIRATION	
2	9100001958	1	JOINT	
3	33022889	1	KIT BOUTON	
4	9100001973	1	SUPPORT ALU F BRUSH HOOKING PKD	
5	9100001982	1	LEVER PLAST. F PEDAL PKD	
6	9100001962	1	PEDAL ALU F MACHINE PARKING PKD	
7	9100001961	1	SUPPORT ALU F FIXED WHEELS PKD	
8	9100000559	2	ROULETTE GRISE D EMBOUCHURE D51	
9	9100002043	1	HARDWARE PEDAL WHEELS KIT	



Pos.	Réf article	Qté	Désignation	Notes
1	9100001999	1	HANDLE BAR ALU PKD	
2	9100002015	1	COVER PLAST. BLUE F HANDLE PKD	
3	9100002014	1	COVER LOWER PLAST. BLUE F HANDLE PKD	
4	9100002013	1	COVER UPPER PLAST. BLUE F HANDLE PKD	
5	9100001985	1	CONTROLLER USER INTERFACE PKD	
6	9100002005	1	LOCK LEVER PLAST. PKD	
7	9100002003	2	LEVER ALU F HANDLE ADJUST. PKD	
8	9100002002	1	CABLE LIFTING SQUEEGEE PKD	
9	9100001998	1	CABLE HANDLE ADJUSTING PKD	
10	9100001986	1	HARNESS HANDLE BAR PKD	
11	9100002016	2	SENSOR CAPACITIVE PKD	
12	9100002006	2	HARNESS HANDLE BAR SENSOR PKD	
13	9100002020	1	HANDLE LOCK KIT	
14	9100002021	1	HARDWARE HANDLE BAR KIT	



Pos.	Réf article	Qté	Désignation	Notes
BAT	9100002070	1	BATTERIE LITHIUM SANS POIGNEE 36V 10S4P	
C1	9100002038	1	HARNES BATTERY KIT	
CH	9100002058	1	CHARGEUR BATTERIE LITHIUM 100-240V 1.25A	
EB1	9100001960	1	CONTROLLER MAIN MACH.P24 PROGR.PKD	
EB2	9100001985	1	CONTROLLER USER INTERFACE PKD	
M1	9100001966	1	MOTOR BRUSH 180W 36V PKD	
M2	9100001987	1	MOTOR VACUUM 36V 200W PKD	
PM	9100001981	1	PUMP WATER 24V 18W 21L/H PKD	
S1	9100002016	1	SENSOR CAPACITIVE PKD	
S2	9100002016	1	SENSOR CAPACITIVE PKD	
S3	9100002049	1	SENSOR CAPACITIVE KIT	

PL RECOMMENDED PARTS - ACCESSORIES

SCRUBTEC 334C B NIL

2016.09.12

2016.12.05

Pos.	Réf article	Qté	Désignation	Notes
NW	9100002066	1	BROSSE CYLIND 340mm NYLON MEDIUM BLANC	
NW	9100002064	1	EMBOUCHURE 360MM PU 2 PCS	
OM	9100001993	1	GASKET BULB REINFORCED L.1030MM PKD	
OM	9100001971	1	COURROIE HTD/OMEGA 669 3M 09	
OM	9100001987	1	MOTOR VACUUM 36V 200W PKD	
OM	9100001975	2	DISPENSER WATER SPRAY SOFT PLAST. PKD	
OM	9100002045	1	WHEELS CASTOR D.75 KIT	
OM	9100001981	1	PUMP WATER 24V 18W 21L/H PKD	
OM	9100000559	2	ROULETTE GRISE D EMBOUCHURE D51	
OM	9100002002	1	CABLE LIFTING SQUEEGEE PKD	
EOM	9100002070	1	BATTERIE LITHIUM SANS POIGNEE 36V 10S4P	
EOM	9100002058	1	CHARGEUR BATTERIE LITHIUM 100-240V 1.25A	
EOM	9100002029	1	VALVE F SOLUTION TANK KIT	
EOM	9100001957	1	HUB TRACTION BRUSH PLAST. PKD	
EOM	9100001966	1	MOTOR BRUSH 180W 36V PKD	
EOM	9100001960	1	CONTROLLER MAIN MACH.P24 PROGR.PKD	
EOM	9100001988	1	BUMPER FRONT PLAST. PKD	
EOM	9100001974	1	CHAMBER VACUUMING RUBBER PKD	
EOM	9100002048	1	HOSES KIT	
EOM	9100002047	1	FILTER PLAST. F WATER PUMP KIT	
EOM	9100001998	1	CABLE HANDLE ADJUSTING PKD	
EOM	9100001985	1	CONTROLLER USER INTERFACE PKD	
EOM	9100002016	2	SENSOR CAPACITIVE PKD	
EOM	9100002049	1	SENSOR CAPACITIVE KIT	
ACC	9100002066	1	BROSSE CYLIND 340mm NYLON MEDIUM BLANC	
ACC	9100002067	1	BROSSE CYLIND 340mm GRIT 320 DURE GRISE	
ACC	9100002068	1	ROULEAU CYLIND 340mm MICROFIBRE	
ACC	9100002069	1	BROSSE CYLIND 340mm NYLON DOUX NOIR	
ACC	9100002064	1	EMBOUCHURE 360MM PU 2 PCS	
ACC	9100002055	1	CABLE POWER SUPPLY LI UK PLUG	
ACC	9100002056	1	BATTERIE Li-Ion avec CHARGEUR	
ACC	9100002058	1	CHARGEUR BATTERIE LITHIUM 100-240V 1.25A	
ACC	9100002070	1	BATTERIE LITHIUM SANS POIGNEE 36V 10S4P	
ACC	9100002059	1	POIGNEE POUR BATTERIE LITHIUM	

