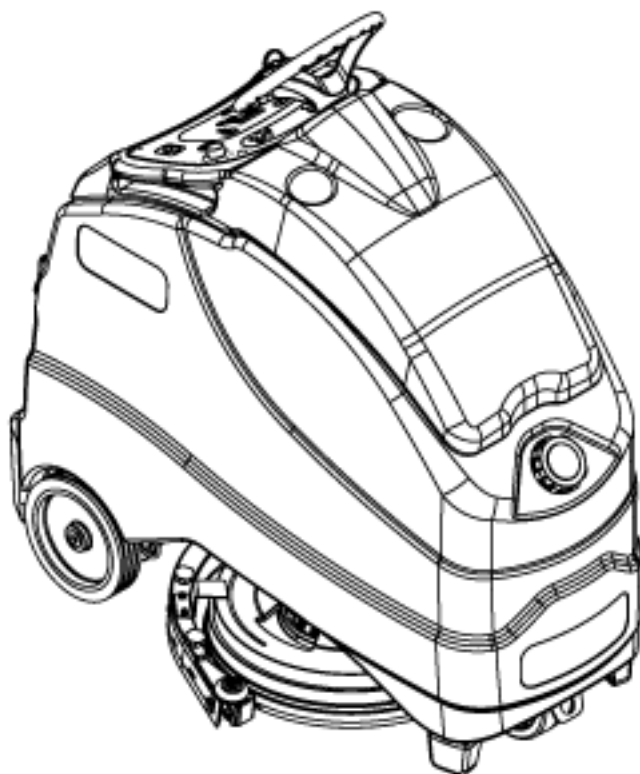


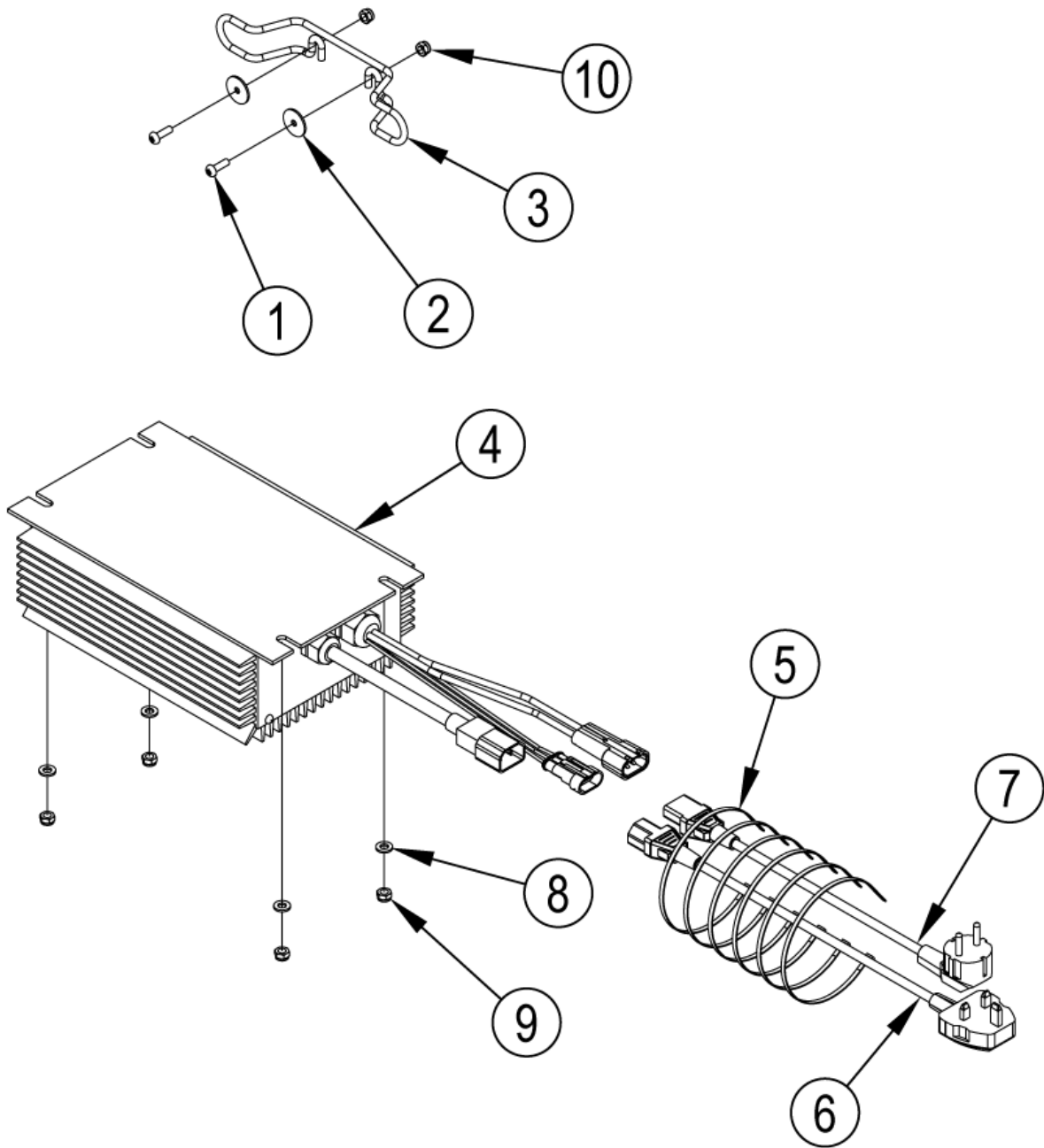
PARTS LIST



2014.10.13

TABLE OF CONTENTS

56104403 - ONBOARD CHARGER KIT-EU	1
BRUSH SELECTOR GUIDE	3
Chassis System	5
Control-system	9
DECAL SYSTEM	11
Drive-wheel	13
ELECTRICAL SYSTEM	15
GENERAL VIEW	17
IS56090123_KIT-SHELF CHARGER ADAPTER	19
LADDER DIAGRAM	21
LADDER DIAGRAM 2	23
OPTIONAL KITS AND ACCESSORIES	25
PLATFORM ASSEMBLY	27
RECOMMENDED SPARE PARTS	29
RECOVERY SYSTEM	33
SCRUB SYSTEM 20D (2)	35
SCRUB SYSTEM-20D	37
SOLUTION SYSTEM	41
SQUEEGEE BLADE SELECTOR GUIDE	45
56104441 DRIVE WHEEL MOUNTING KIT	47
SQUEEGEE SYSTEM	49
56104192 KIT-ECOFLEX EU	51



Pos.	Réf article	Qté	Désignation	Notes
00	56104403	1	CHARGER EMBARQUE EU	
01	L08603744	2	VIS M 5 X 16 MM. INOX	
02	145 8280 000	2	RONDELLE	
03	909 5149 000	1	SUPPORT CABLE	
04	56114378	1	BATTERY CHARGER 24V 25A	
05	56478523	6	COLLIER DE SERRAGE	
06	9098676000	1	CABLE D ALIMENTATION DU CHARGEUR	
07	909 5676 000	1	CABLE EXTENSION UK PLUG L.1000	
08	L08603689	4	RONDELLE 6X18X1 5	
09	33005604	4	ECROU M6 UNI7474 FREIN	
10	33005603	2	ECROU M5	

BRUSH SELECTOR GUIDE

We provide brushes and pad holders that will give you the best possible performance between machine and floor. Following are descriptions of the materials and their applications.

- Soft Nylon:** Bristles are made from light-duty polypropylene for general scrubbing when you do not want to scratch or remove finish from the floor. Recommended for use in place of red pads.
- Poly:** Polypropylene material for medium-duty scrubbing on concrete, terrazzo and vinyl floor tile. Recommended for use in place of green or blue pads.
- Lite Grit:** For light scrubbing when used wet; buffing or polishing when used dry on urethane coated, sealed concrete or other resilient hard surface floors. Recommended for use in place of red or white pads.
- Medium Grit:** For general purpose scrubbing of sealed or unsealed concrete, stone, terrazzo, quarry tile and other resilient hard floor surfaces. Recommended for use in place of green or blue pads.
- Heavy Grit:** For aggressive, heavy-duty scrubbing or stripping of floors. Recommended for use in place of brown pads.

20" Disk Scrub Brushes

56505790 - Pad Holder
 56505791 - Magnagrit
 56505792 - Dyna Grit
 56505793 - Aglite
 56505794 - Prolene
 56505795 - Prolite
 56505796 - Union Mix
 56505797 - Midgrip
 56505798 - Midlite
 976170 - Pads Cs 20 Black Thin (Qty 5)
 976070 - Pads Cs 20 Brown 51 (Qty 5)
 976069 - Pads Cs 20 Blue 51 (Qty 5)

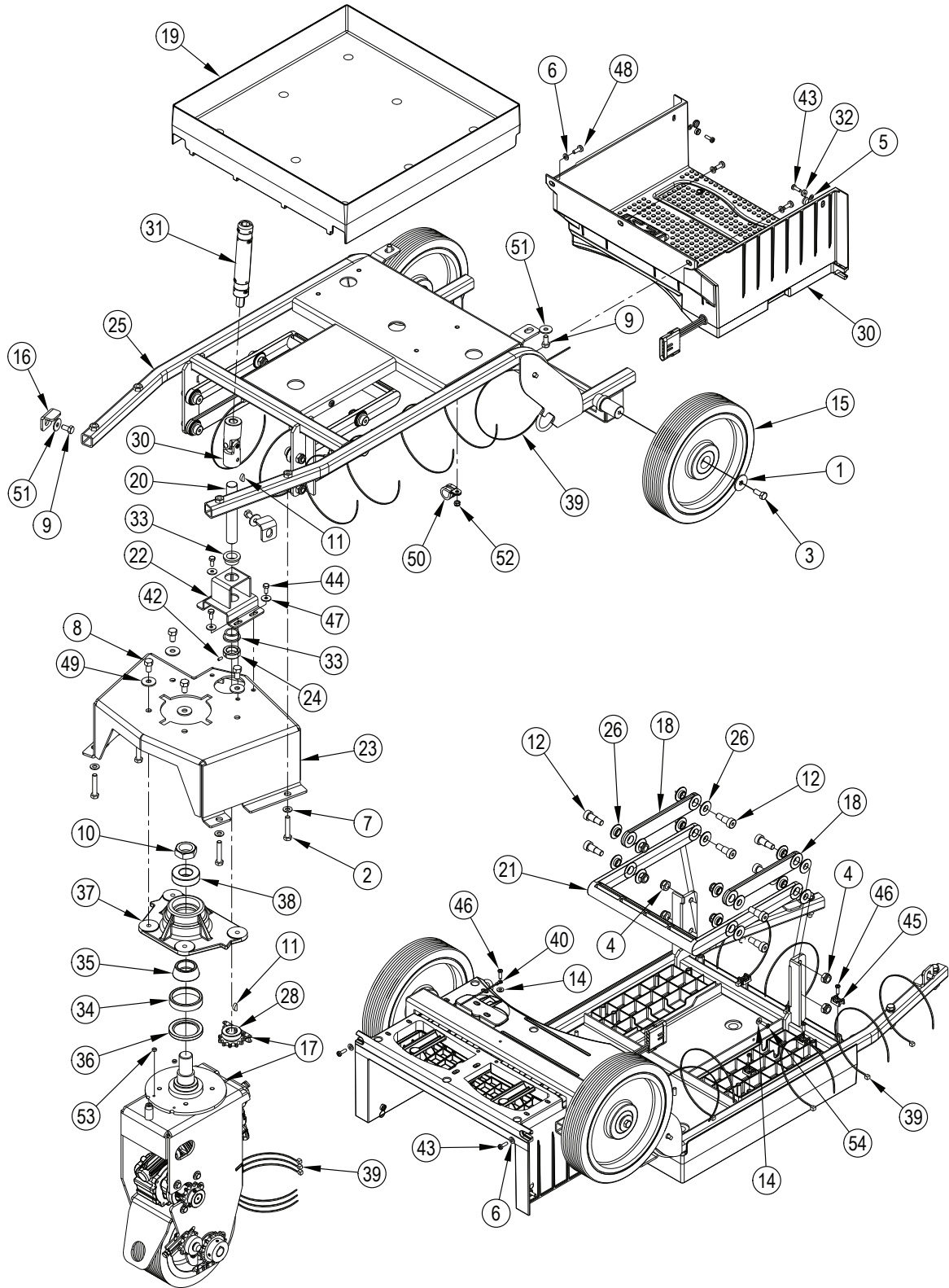
DISC BRUSH APPLICATION GUIDE (SUGGESTION ONLY)

Application	Heavy Grit	Medium Grit	Lite Grit	Poly	Soft Nylon
Stripping:					
Concrete	X				
Terrazzo	X				
Ceramic/Quarry tile	X				
Vinyl tile	X				
General Scrubbing:					
Concrete	X	X	X	X	
Terrazzo		X	X	X	
Ceramic/Quarry tile		X	X	X	
Marble			X	X	X
Vinyl tile		X	X	X	
Raised-rubber tile			X	X	X

Pos.	Réf article	Qté	Désignation	Notes
	10001957	1	LOT DE 5 DISQUES MARRON ECOPAD DIAM 505	
	56505790	1	PLATEAU PORTE DISQUEPAD HOLDER-20 3 LUG	
	56505791	1	BROSSE MAGNA GRIT 46DISC BRUSH-20 MAGNAGRIT 3 LUG	
	56505792	1	BROSSE DYNA GRIT 80DISC BRUSH-20 DYNA GRIT 3 LUG	
	56505793	1	BROSSE AGLITE GRIT 500DISC BRUSH-20 AGLITE 3 LUG	
	56505794	1	BROSSE PROLENEDISC BRUSH-20 PROLENE 3 LUG	
	56505795	1	BROSSE PROLITEDISC BRUSH-20 PROLITE 3 LUG	
	56505796	1	BROSSE UNION MIXDISC BRUSH-20 UNION MIX 3 LUG	
	56505797	1	BROSSE MIDGRIT 240DISC BRUSH-20 MIDGRIT 3 LUG	
	56505798	1	BROSSE MIDLITE GRIT 180DISC BRUSH-20 MIDLITE 3 LUG	
	976069	1	DISQUE BLEU PAR 5	
	976170	1	DISQUE NOIR PAR 5PADS CS 20 BLACK THIN CS/5EA	[1]

Part Notes:

[1] - EU USE 10001955



Pos.	Réf article	Qté	Désignation	Notes
1		2	WASHER, FLAT XL 9X32	[1]
2		4	SCREW, HEX HD M8X45-	[2]
3		2	SCREW, HEX THD TO HD M8X20 SS	[1]
4		8	NUT, HEX NYL LOC THIN M10	[2]
5		2	WASHER, FLAT 5,3X10	[2]
6		3	WASHER, FLAT 6,4X12,5	[2]
7		8	WASHER, FLAT 8.4X16X1.6	[2]
8		4	SCR-HEX HD LOC 3/8-16X.62	[2]
9		4	SCR-HEX M8-1.25 X 16MM	
10		1	NUT, HEX NYL LOC-THIN 1-14	[3]
11		2	KEY-WDF 5MMX6.5MMX16MM	[2]
12		8	SCR-SOC SHD M12X16MMX M10-1.50	[2]
14		2	WSH, INT SHPRF 10	[2]
15		2	WHEEL	[4]
16	56104091	2	PATTE DE FIXATION	
17		1	Drive Wheel Assembly	
18	56104094	2	BAR-LINKAGE	
19	56104105	1	SUPPORT DE BATTERIE	
20	56104130	1	ARBRE DE DIRECTION	
21	56104135	1	LINK BAR	
22	56104148	1	ARBRE DE DIRECTION	
23	56104151	1	MONTAGE BROCHE	
24	56104157	1	COLLIER	
25	56104170	1	CHASSIS WELDMENT	
26		16	BUSHING LINK ARM	[2]
27	56104239	1	CABLAGE MOTEUR TRACTION	
28	56104269	1	PIGNON 11 DENTS	
29		1	UNIVERSAL JOINT	[5]
30		1	Platform Assembly	
31	56104319	1	TUBE-STEERING ASSEMBLY KIT	
32		2	SCREW CAP	[2]
33	56104407	2	CAGE ROULEMENT BAGUE	
34		1	BEARING CUP	[3]
35		1	BEARING CONE	[3]
36		1	SEAL, SHAFT	[3]
37	56314032	1	SUPPORT EMBASE ROULEMENT	
38		1	BEARING BALL	[3]
39		9	Clamp 4.8 X 30 White	[2]
40		1	CHAIN - BALL	[2]
42		1	SCR, SOC SET	[2]
43		4	SCR, PAN PHIL M5X16	[2]
44		3	SCREW, HEX THD TO HD M6X14	[2]
45		5	FLAT TIE HOLDER	[2]
46		5	Thread Rolling Scr 5X16	[2]
47		3	WASHER, FLAT XL	[2]
48		3	SCR, PAN PHIL M6X16	[2]
49		4	WASHER, FLAT XL 9.5X27X2.5	[2]
50	909 5516 000	1	CLAMP HOSE D.18	
51		4	Washer Flat XI Uni-6593 8x24	[2]
52	33005604	1	ECROU M6 UNI7474 FREIN	
53	9099196000	2		
54		2	Scr 4.8X16 UNI6954 Thd Form	[2]
K1	56104328	1	KIT JOINT UNIVERSEL	[6]
K2	56104331	1	KIT ROUE ARRIERE	[7]
K3	56104332	1	KIT BAGUE	[8]
K4	56104333	1	CHASSIS HARDWARE KIT	[9]

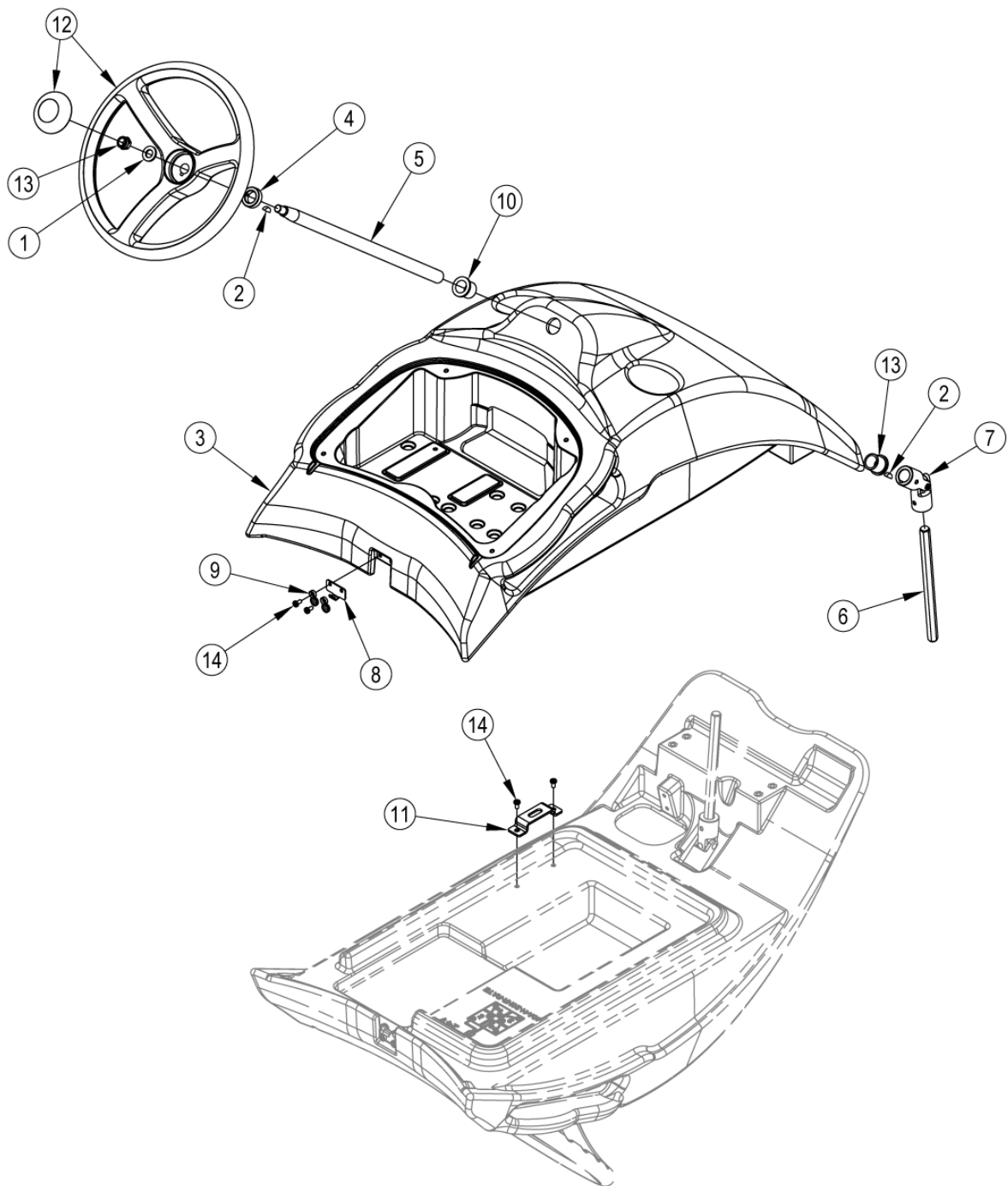
Part Notes:

- [1] - K2,K4
- [2] - K4
- [3] - K3
- [4] - K2
- [5] - K1
- [6] - Includes pos. 29
- [7] - Includes pos. 1,3,15
- [8] - Includes pos. 10,34,35,36,38
- [9] - Includes pos. 1-9,11-14,26,32,38-49



Comments:

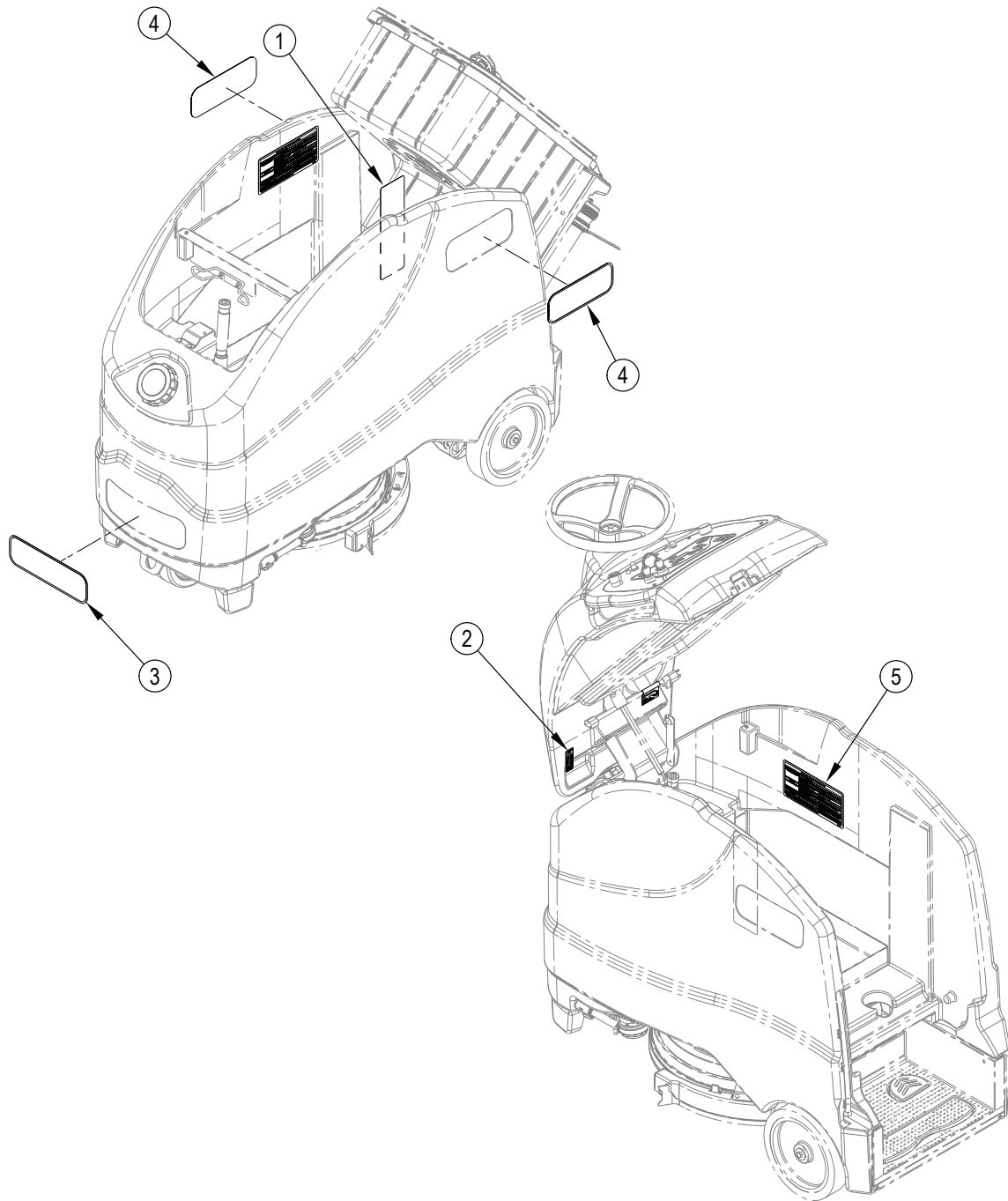




Pos.	Réf article	Qté	Désignation	Notes
1		1	WASHER, FLAT 13X24	
2		2	KEY-WDF 5MMX6.5MMX16MM	
3	56104053	1	PANNEAUN DE CONTRÔLE	
4		1	COLLAR	
5	56104196	1	RABRE DE DIRECTION	
6	56104265	1	ARBRE	
7		1	UNIVERSAL JOINT	
8		1	HOOK LATCH	
9		2	SCREW CAP	
10		2	BEARING-FLANGE	
11	56104410	1	SUPPORT	
12	56601060	1	VOLANT	
13		1	NUT, HEX NYL LOC THIN M12	
14		4	SCR, PAN PHIL M5X10 SS	
K1	56104328	1	KIT JOINT UNIVERSEL	[1]
K2	56104352	1	DRAW LATCH KIT	[2]
K3	56104365	1	KIT DE CONTROLE DU MATÉRIEL	[3]

Part Notes:

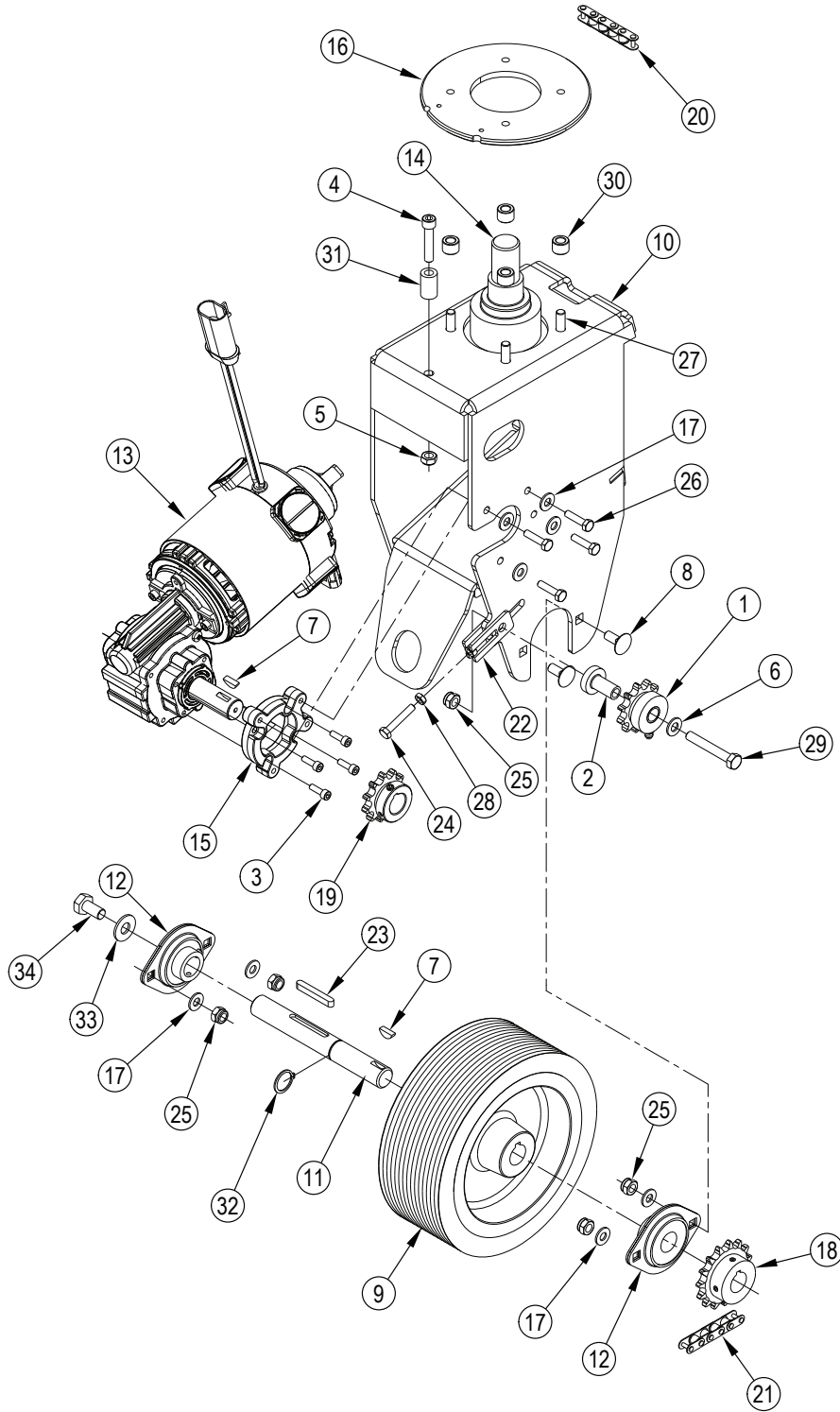
- [1] - Includes pos. 7
- [2] - Includes pos. 28,9,14
- [3] - Includes pos. 1,2,4,9,13,14



Pos.	Réf article	Qté	Désignation	Notes
1		1	Decal, Caution	
2		1	Decal-Chemical Ratio	
3		1	Decal, Nilfi sk	
4		2	Decal-Nilfi sk Sc1500	
5		1	Decal-Error Codes	
K1	56104335	1	DECAL SC1500 EU KIT	[1]

Part Notes:

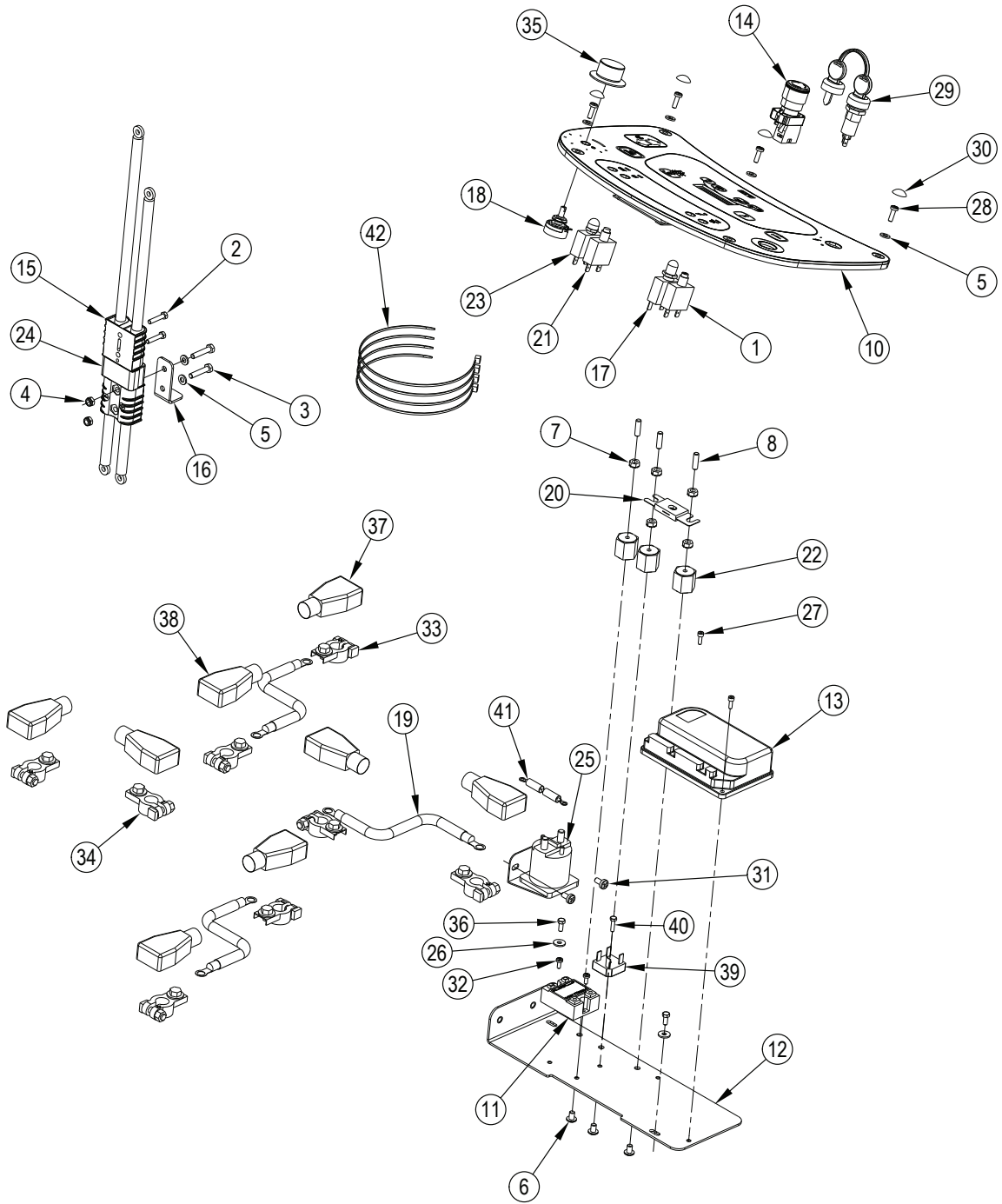
[1] - Includes pos. 1-6



Pos.	Réf article	Qté	Désignation	Notes
1		1	SPROCKET ASSY	[1]
2		1	BUSHING, FLANGED	
3		4	VITI TCEI/SCR, SOC HD	
4		1	SCR-SOC HD 5/16-18 X 1.50	
5		1	NUT, HEX NYL LOC-THIN 5/16-18	
6		1	WSH-FLT SAE SS 5/16	
7		2	KEY-WDF 5MMX6.5MMX16MM	
8		4	SCR-CARRIAGE SS M8-1.25 X 20MM	
9		1	DRIVE WHEEL	
10	56104431	1	DRIVE WHEEL FRAME WELDMENT	[2]
10	56104058	1	SUPPORT ROUE TRACTION	[3]
11		1	AXLE	[4]
12		2	AXLE BEARING	
13		1	DRIVE WHEEL MOTOR (M1)	
14	56104077	1	BROCHE METAL	
15		1	SPACER	
16	56104115	1	PLAQUE DE DIRECTION	
17		8	WASHER, FLAT 8X17X1.6 SS	
18		1	SPROCKET-15 TOOTH	[1]
19		1	SPROCKET-11 TOOTH	[1]
20	56104270	1	CHAIN-ROLLER	
21		1	CHAIN-ROLLER	
22		1	WELD'T-IDLER ADJUST	
23		1	KEY, 6MM SQ	
24		1	SCREW, HEX THD TO HD M6X35 SS	
25		5	NUT, HEX NYL LOC THIN M8 SS	
26		4	SCREW, HEX THD TO HD M6X25 SS	
27		4	SCREW, HEX THD TO HD M8X30 SS	
28		1	NUT, HEX M6 SS	
29		1	SCREW, HEX THD TO HD M8X55 SS	
30		4	SPACER	
31		1	SPACER	
32	33006059	1	CIRCLIPS D20	[4]
33	56002910	1	RONDELLE 3/8	[4]
34	56003533	1	VIS HEX SS M10 150X20	[4]
K5	56104336	1	MOTEUR TRACTION DE ROUE	[5]
K6	56104338	1	KIT ROUE DE TRACTION AVEC ROULEMENT	[6]
K7	56104339	1	SPROCKET AND CHAIN KIT	[7]
K8	56104340	1	KIT PETITES PIECES ROUE TRACTION	[8]
K9	56104384	1	FRONT WHEEL BEARINGS KIT	[9]

Part Notes:

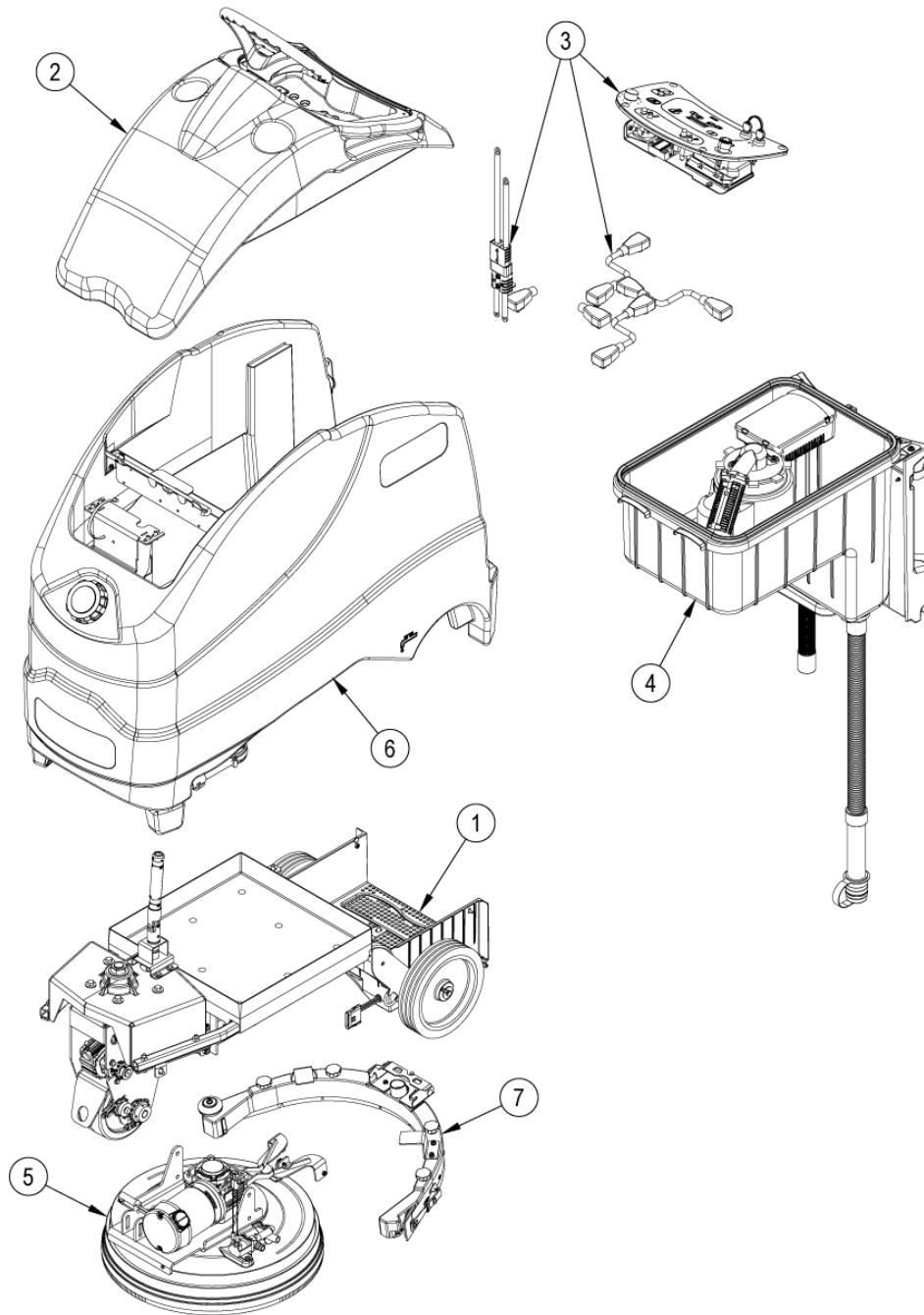
- [1] - TSB-FC-2013-132
- [2] - (used after September 2013)
- [3] - (used before October 2013)
- [4] - TSB-FC-2014-002 SC1500 Axle
- [5] - Includes pos. 3,7,13,15,17,26,
- [6] - Includes pos. 7,8,9,11,12,17,25,26
- [7] - Includes pos. 1,2,6,4,18,19,21,22,24,25,28,29
- [8] - Includes pos. 2,3,4,8,6,8,17,24-31
- [9] - Includes pos. 8,12,17,25



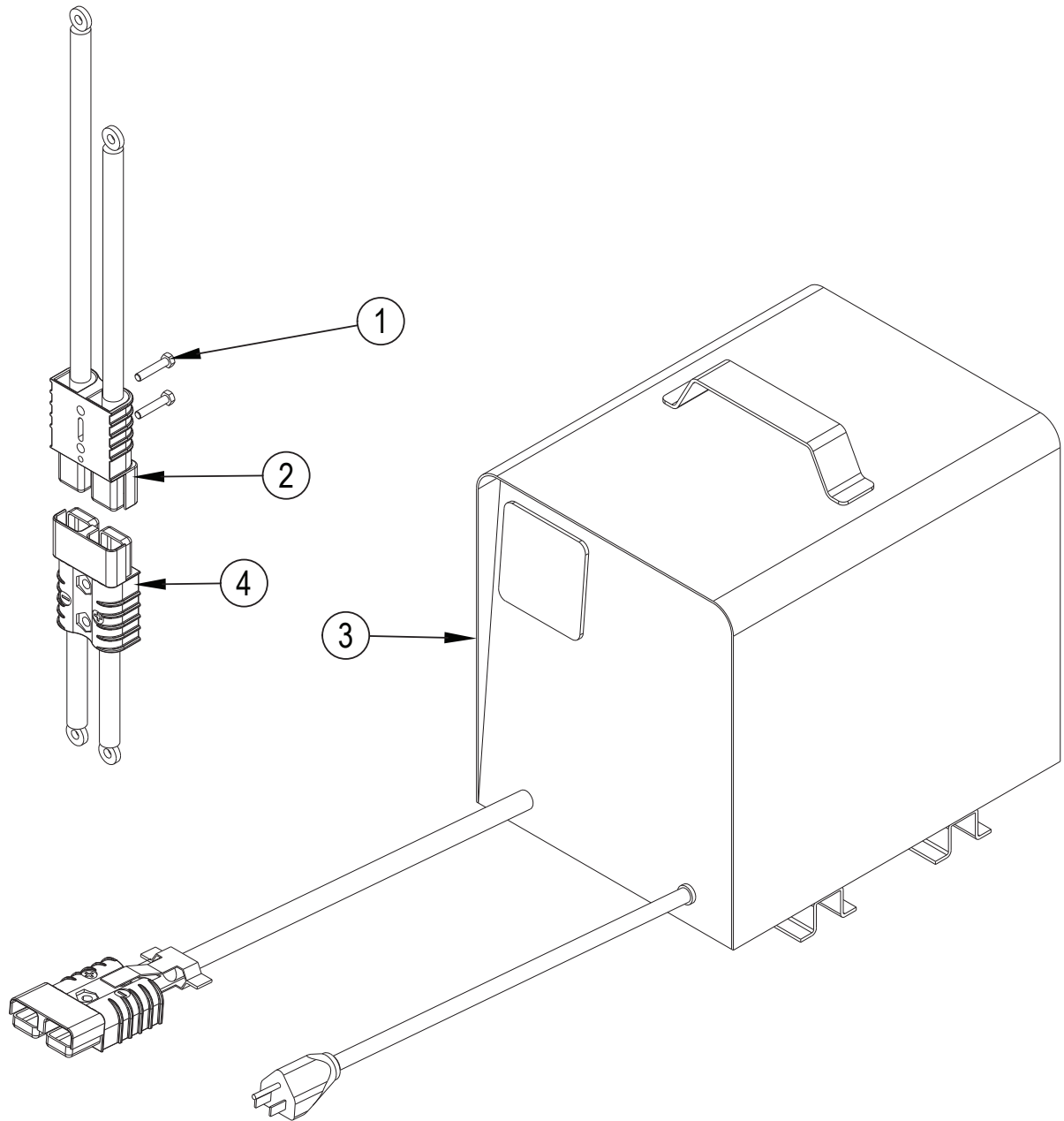
Pos.	Réf article	Qté	Désignation	Notes
1	56104423	1	CIRCUIT BREAKER-50 AMP	
2		2	SCREW, HEX THD TO HD M5X25	
3		2	SCREW, HEX THD TO HD M6X30	
4		2	NUT, HEX NYL LOC THIN M6	
5		6	WASHER, FLAT 6,4X12,5	
6		3	SCR-PAN PHIL 1/4-20 X .38	
7		5	NUT, HEX W/ SHPRF 1/4-20	
8		3	STUD	
9	56104427	1	HARNES-MAIN	[1]
10		1	INTERFACE PANEL ASSEMBLY (A1)	
10		1	KIT-INTERFACE PANEL	
11	56104176	1	RELAIS STATIQUE	
12	56104193	1	PANNEAU ELECTRICAL	
13	56104243	1	VARIATEUR DE VITESSE	
14	56104247	1	ARRET URGENCE	
15	56104281	1	CABLE-POWER	
16	56112354	1	HANDLE	
17	56315255	1	DISJONCTEUR 5A	
18		1	Potentiometer, 100k (R1 / part of Main harness 56104427)	
19	56409485	3	CABLE BATTERIE	
20	56412089	1	FUSIBLE 150 AMPERES	
21	56413822	1	DISJONCTEUR 20A	
22	56469858	3	ENTRETOISE ISOLANTE	
23	56509623	1	FUSIBLE 25A	
24	56601172	1	CONNEXION ASM	
25	56601183	1	CONTACTEUR 24V 100 AMP	
26		2	WASHER, FLAT XL 5,5X15X1,2 SS	
27		2	VITI TCEI/SCR, SOC HD	
28		4	SCR, PAN PHIL M5X16	
29	146 2888 000	1	CLEF SW + BARILLET	
30		4	COVER FOR SCREW TCB 4.8MM	
31		2	SCR, PAN PHIL M6X12	
32		2	SCR, PAN PHIL M4X10	
33	L08812063	4	CONNECTEUR POSITIF	
34	L08812064	4	CONNECTEUR NEGATIF	
35	50962A	1	BOUTON CONTROLE	
36		2	SCREW, HEX THD TO HD M5X12	
37	2-00-05171	4	PROTECTION ROUGE	
38	2-00-05173	4	PROTECTION NOIRE	
39	56265103	1	PONT DE DIODE	
40	146 0497 000	1	VIS M4X16 UNI5739SS	
41	56389265	1	REDRESSEUR COURANT CPL	[2]
42	L08812587	1	ATTACHE	
K1	56104341	1	ELECTRICAL HARDWARE KIT	[3]
K2	56104371	1	KIT CONTROLE TABLEAU DE BORD	[4]
K3	56104372	1	KIT CARTE ELECTRONIQUE DE TABLEAU DE BOR	[5]

Part Notes:

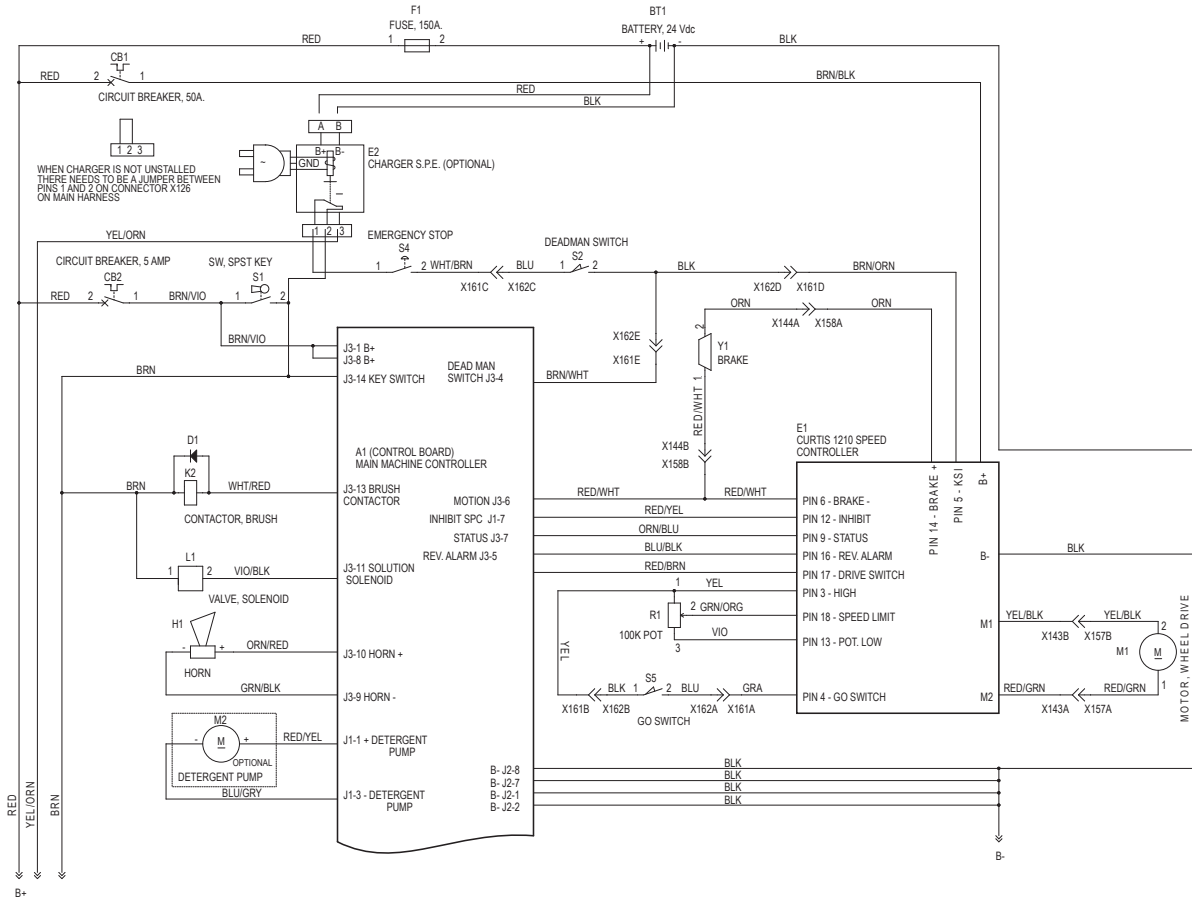
- [1] - NOT SHOWN
- [2] - TSBUS2003-843
- [3] - Includes pos. 1-8,26-28,30-32,36
- [4] - Includes pos. 10
- [5] - Includes pos. 10, optional, not included



Pos.	Réf article	Qté	Désignation	Notes
1		1	Chassis System	
2		1	Control System	
3		1	Electrical System	
4		1	Recovery System	
5		1	Scrub System-20D	
6		1	Solution System	
7		1	Squeegee Assy	



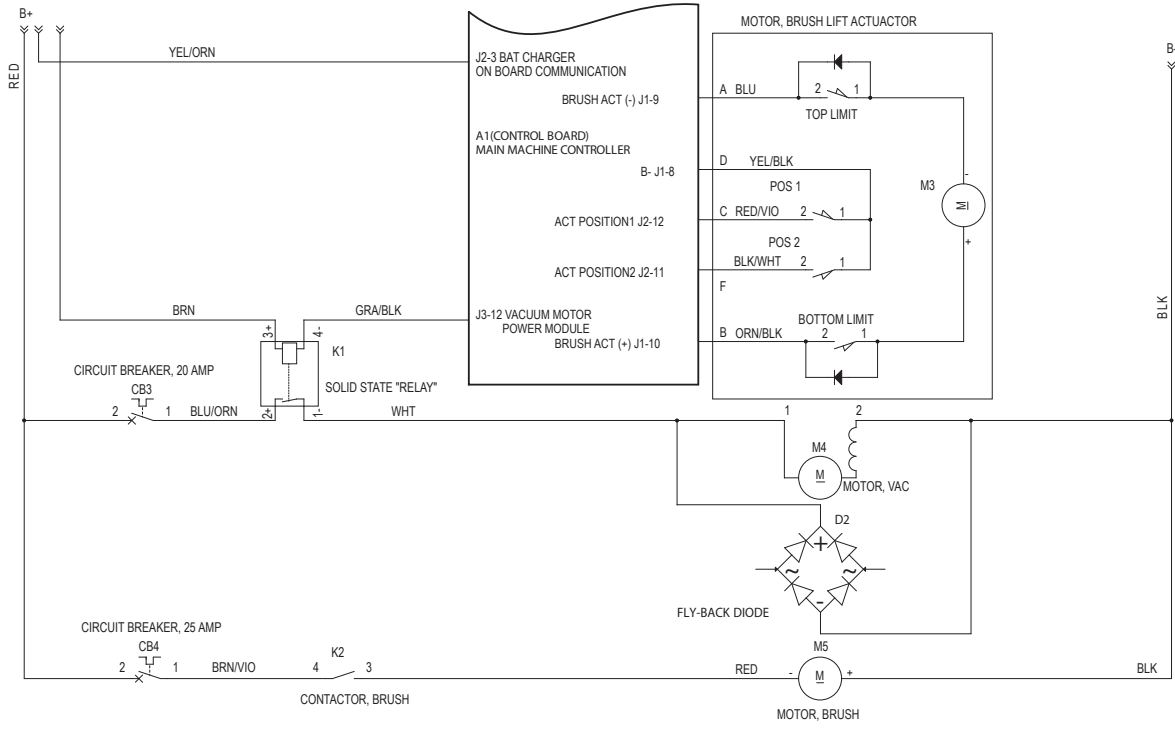
Pos.	Réf article	Qté	Désignation	Notes
0	56104437	1	SHELF CHARGER ADAPTER KIT	
1	33003964	2	VIS M5 X 25	
2	56104281	1	CABLE-POWER	
3	56382998	1	CHARGER-BATT SCR 24V 25A	
4	56601172	1	CONNEXION ASM	



Pos.	Réf article	Qté	Désignation	Notes
A1		1	Control Board	
BT1		1	Battery	
CB1	56104423	1	CIRCUIT BREAKER-50 AMP	
CB2	56315255	1	DISJONCTEUR 5A	
CB3	56413822	1	DISJONCTEUR 20A	
CB4	56509623	1	FUSIBLE 25A	
D1	56389265	1	REDRESSEUR COURANT CPL	[1]
D2	56265103	1	PONT DE DIODE	
E1	56104243	1	VARIATEUR DE VITESSE	
E2	56112544	1	BATTERY CHARGER 24V 25A	[2]
F1	56412089	1	FUSIBLE 150 AMPERES	
H1	909 6126 000	1	BEEPER	
K1	56104176	1	RELAIS STATIQUE	
K2	56601183	1	CONTACTEUR 24V 100 AMP	
L1	56601064	1	ELECTROVANNE CPL	
M1		1	Drive Wheel Motor	
M2	56315241	1	POMPE	
M3	56104356	1	KIT VERIN DE BROSSE	
M4	909 7556 000	1		
M5	56104071	1	DISQUE MOTEUR DE BROSSE	
R1		1	Potentiometer 100k (Speed Adjustment / part of Main harness 56104427)	
S1	146 2888 000	1	CLEF SW + BARILLET	
S2		1	Switch-Sealed (part of Switch Harness 56104406)	
S4	56104247	1	ARRET UREGNCE	
S5		1	Switch-Sealed (part of Switch Harness 56104406)	
Y1		1	Electrical Brake (part of Drive Wheel Motor M1)	

Part Notes:

- [1] - TSBUS2003-843
 [2] - USE 56114378



Pos.	Réf article	Qté	Désignation	Notes
A1		1	Control Board	
BT1		1	Battery	
CB1	56104423	1	CIRCUIT BREAKER-50 AMP	
CB2	56315255	1	DISJONCTEUR 5A	
CB3	56413822	1	DISJONCTEUR 20A	
CB4	56509623	1	FUSIBLE 25A	
D1	56389265	1	REDRESSEUR COURANT CPL	[1]
D2	56265103	1	PONT DE DIODE	
E1	56104243	1	VARIATEUR DE VITESSE	
E2	56112544	1	BATTERY CHARGER 24V 25A	[2]
F1	56412089	1	FUSIBLE 150 AMPERES	
H1	909 6126 000	1	BEEPER	
K1	56104176	1	RELAIS STATIQUE	
K2	56601183	1	CONTACTEUR 24V 100 AMP	
L1	56601064	1	ELECTROVANNE CPL	
M1	56104074	1	DRIVE WHEEL MOTOR	
M2	56315241	1	POMPE	
M3	56104356	1	KIT VERIN DE BROSSE	
M4	909 7556 000	1		
M5	56104071	1	DISQUE MOTEUR DE BROSSE	
R1		1	Potentiometer 100k (Speed Adjustment / part of Main harness 56104427)	
S1	146 2888 000	1	CLEF SW + BARILLET	
S2		1	Switch-Sealed (part of Switch Harness 56104406)	
S4	56104247	1	ARRET UREGNCE	
S5		1	Switch-Sealed (part of Switch Harness 56104406)	
Y1		1	Electrical Brake (part of Drive Wheel Motor M1)	

Part Notes:

- [1] - TSBUS2003-843
 [2] - USE 56114378

OPTIONAL KITS AND ACCESSORIES

Item	Ref. No.	Qty	Description
			Kits
*	56104403	1	On Board Charger-EU Kit
#			DELETED
#	56104437	1	Shelf Charger Adapter Kit
*	56104371	1	Control Board Kit
*	56104372	1	Interface Panel Kit
			Squeegee Blade Kits (See Squeegee Blade Selector Guide)
	56104325	1	PU Squeegee Blade Kit NOTE 1
*	56104326	1	Red Gum Squeegee Blade Kit NOTE 1
			Accessories
*	56397453	1	Indicator Battery Level
#	56383571	1	Programmer-User
#	56383572	1	Programmer Cable-Molex
*	56104190	1	EcoTex Bottle Assy
*	56104192	1	EU Chemical Injection Kit
*	56044629	1	Literature Pack
			20" Disk Scrub Brushes (See Brush Selector Guide)
*	56505790	1	Pad Holder-20 3 Lug
*	56505791	1	Disc Brush-20 Magnagrit 3 Lug
*	56505792	1	Disc Brush-20 Dyna Grit 3 Lug
*	56505793	1	Disc Brush-20 Aglite 3 Lug
*	56505794	1	Disc Brush-20 Prolene 3 Lug
*	56505795	1	Disc Brush-20 Prolite 3 Lug
*	56505796	1	Disc Brush-20 Union Mix 3 Lug
*	56505797	1	Disc Brush-20 Midgrit 3 Lug
*	56505798	1	Disc Brush-20 Midlite 3 Lug
*	976170	1	Pads Cs 20 Black Thin (Qty 5)
*	976070	1	Pads Cs 20 Brown 51 (Qty 5)
*	976069	1	Pads Cs 20 Blue 51 (Qty 5)

* = Optional, Not Included

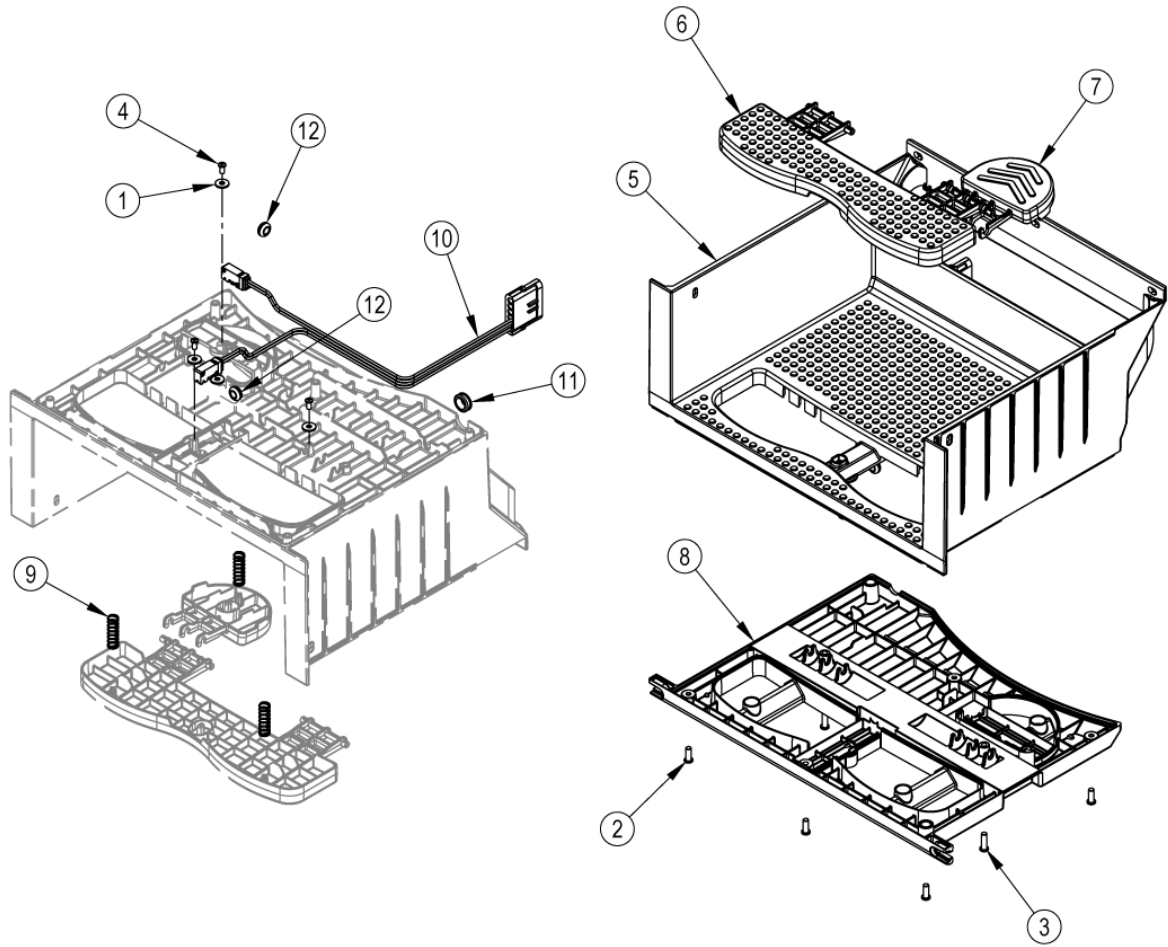
= Revised or new since last update

NOTE 1: All squeegee blade kits include both front and rear squeegee blades.

Pos.	Réf article	Qté	Désignation	Notes
1	56104403	1	CHARGER EMBARQUE EU	
2	56104437	1	SHELF CHARGER ADAPTER KIT	
3	56104371	1	KIT CONTROLE TABLEAU DE BORD	
4	56104372	1	KIT CARTE ELECTRONIQUE DE TABLEAU DE BOR	
5	56104325	1	KIT LAMELLES EMBOUCHURE PUR	
6	56104326	1	KIT LAMELLE CAOUTCHOUX ROUGE	
7	56397453	1	INDICATEUR DE REMPLISSAGE D'EAU BATTERIE	[1]
8	56383571	1	PROGRAMMEUR	
9	56383572	1	CABLE DE PROGRAMMEUR MOLEX	
10	56104190	1	BOUTEILLE ECOFLEX ASSEMBLEE	
11	56104192	1	KIT ECOFLEX EU	
12	56044629	1	LITERATURE PACK	
13	56505790	1	PLATEAU PORTE DISQUE	
14	56505791	1	BROSSE MAGNA GRIT 46	
15	56505792	1	BROSSE DYNA GRIT 80	
16	56505793	1	BROSSE AGLITE GRIT 500	
17	56505794	1	BROSSE PROLENE	
18	56505795	1	BROSSE PROLITE	
19	56505796	1	BROSSE UNION MIX	
20	56505797	1	BROSSE MIDGRIT 240	
21	56505798	1	BROSSE MIDLITE GRIT 180	
22	976170	1	DISQUE NOIR PAR 5	[2]
23	976070	1	DISQUE MARRON PAR 5	[3]
24	976069	1	DISQUE BLEU PAR 5	

Part Notes:

- [1] - NOT FOR SALE VIA EDC
- [2] - EU USE 10001955
- [3] - EU USE 10001957



Pos.	Réf article	Qté	Désignation	Notes
0		1	PLATFORM ASSEMBLY	
1		4	WASHER	
2		6	Scr-Pan Phil Plast M6x2.5x16mm	
3		2	Scr-Pan Phil Plast M6x2.5x20mm	
4		4	Scr-Pan Phil Plast M5x2.3x10mm	
5	56104052	1	PLATFORME SUPERIEURE	
6	56104185	1	PEDALE DE SÉCURITÉ	
7	56104186	1	PEDALE	
8	56104187	1	PLAQUE FORMEE BASSE	
9	56104277	3	RESSORT DE COMPRESSION	
10	56104406	1	INTER AVEC CABLAGE	
11	56158690	1	RACCORD DE PASSAGE 687 E00059	
12	56331006	2	RACCORD DE PASSAGE E00059	[1]
K1	56104417	1	KIT VISSERIE ASSEMBLE PLAFORME	[2]

Part Notes:

- [1] - GUARANTEE DATE EXPIRED
- [2] - Includes Pos. 1, 2, 3, 4

**No
Diagram
Available**

**Parts List
Only**

RECOMMENDED SPARE PARTS

SC1500 51D NIL

2014.02.10

2014.02.11

Pos.	Réf article	Qté	Désignation	Notes
O =			Ordinary Maintenance	
E =			Extra-Ordinary Maintenance	
W =			Normal Wear	
E	56104091		PATTE DE FIXATION	
E	56104094		BAR-LINKAGE	
E	56104105		SUPPORT DE BATTERIE	
E	56104130		ARBRE DE DIRECTION	
E	56104135		LINK BAR	
E	56104148		ARBRE DE DIRECTION	
E	56104151		MONTAGE BROCHE	
E	56104157		COLLIER	
E	56104170		CHASSIS WELDMENT	
O	56104239		CABLAGE MOTEUR TRACTION	
O	56104269		PIGNON 11 DENTS	
O	56104407		CAGE ROULEMENT BAGUE	
E	56314032		SUPPORT EMBASE ROULEMENT	
E	56104328		KIT JOINT UNIVERSEL	
O	56104331		KIT ROUE ARRIERE	
E	56104332		KIT BAGUE	
E	56104333		CHASSIS HARDWARE KIT	
E	56104336		MOTEUR TRACTION DE ROUE	
O	56104338		KIT ROUE DE TRACTION AVEC ROULEMENT	
O	56104435		SPROCKET AND CHAIN KIT	
O	56104339		SPROCKET AND CHAIN KIT	
E	56104340		KIT PETITES PIECES ROUE TRACTION	
E	56104384		FRONT WHEEL BEARINGS KIT	
E	56104053		PANNEAUN DE CONTRÔLE	
E	56104196		RABRE DE DIRECTION	
E	56104265		ARBRE	
E	56104410		SUPPORT	
E	56601060		VOLANT	
E	56104058		SUPPORT ROUE TRACTION	
E	56104077		BROCHE METAL	
E	56104115		PLAQUE DE DIRECTION	
W	56104270		CHAIN-ROLLER	
E	56104328		KIT JOINT UNIVERSEL	
E	56104352		DRAW LATCH KIT	
E	56104365		KIT DE CONTROLE DU MATÉRIEL	
E	56104423		CIRCUIT BREAKER-50 AMP	
E	56104427		HARNESS-MAIN	
E	56104176		RELAIS STATIQUE	
E	56104193		PANNEAU ELECTRICAL	
E	56104243		VARIATEUR DE VITESSE	
E	56104247		ARRET URGENCE	
E	56104281		CABLE-POWER	
E	56112354		HANDLE	
E	56315255		DISJONCTEUR 5A	
E	56104438		CABLE-BATTERY ASSY	
E	56412089		FUSIBLE 150 AMPERES	
E	56413822		DISJONCTEUR 20A	
E	56469858		ENTRETOISE ISOLANTE	
E	56509623		FUSIBLE 25A	
E	56104439		CABLE-CONNECTOR ASSY	
E	56601183		CONTACTEUR 24V 100 AMP	
E	146 2888 000		CLEF SW + BARILLET	
E				
E	50962A		BOUTON CONTROLE	
E				
E				

RECOMMENDED SPARE PARTS

SC1500 51D NIL

2014.02.10

2014.02.11

Pos.	Réf article	Qté	Désignation	Notes
E				
E				
E				
E				
E	56104341		ELECTRICAL HARDWARE KIT	
E	56104371		KIT CONTROLE TABLEAU DE BORD	
E	56104372		KIT CARTE ELECTRONIQUE DE TABLEAU DE BOR	
E	56104052		PLATFORME SUPERIEURE	
E	56104185		PEDALE DE SÉCURITÉ	
E	56104186		PEDALE	
E	56104187		PLAQUE FORMEE BASSE	
E	56104277		RESSORT DE COMPRESSION	
O	56104406		INTER AVEC CABLAGE	
E	56158690		RACCORD DE PASSAGE 687 E00059	
E	56331006		RACCORD DE PASSAGE E00059	[1]
E	56104417		KIT VISSERIE ASSEMBLE PLAFORME	
E	56104051		RESERVOIR DE RECUPERATION	
E	56104158		PANNEAU NOIR	
O	56104164		GASKET-RECOVERY TANK KIT	
O	56104258		FLEXIBLE CPLT ASPIRATION	
O	56104285		FLEXIBLE DE VIDANGE	
E	56104306		HARNESS-JUMPER	
E	56104443		ANTI ECLABOUSSURE	
E	145 0543 000		SERFLEX	
E	909 6051 000		COUVERCLE SUPP. MOTEUR D ASPIRATION	
O	909 6672 000		FILTRE	
E	56104352		DRAW LATCH KIT	
E	56104389		FLOAT CAGE EU KIT	
E	56104360		CASIER A DECHETS	
E	56104362		SUPPORT FLEXIBLE	
E	56104363		MOTEUR ASPIRATION	
E	56104364		KIT PETITES PIECES	
E	56104383		KIT ISOLATION MOTEUR ASPI	
E	56104071		DISQUE MOTEUR DE BROSE	
E	56104095		SHAFT DISC BRUSH MOTOR	
E	56104117		PLAQUE METAL PONT ELEVATEUR	
E	56104120		PLATEAU INFERIEUR	
E	56104121		LOGEMENT BROSE	
E	56104126		CORPS METAL EMBOUCHURE	
E	56104137		ENTRETOISE MOTEUR	
E	56104169		KIT ELECTROVANNE	
E	56104240		JUPE DE BROSE	
E	56104241		FREIN DOUBLE LAV	
E	56314983		RACCORD EN T	
E	56386183		HOSE BARB 90 DEG	
E	56397209		FLEXIBLE TRANSLUCIDE PVC	
E	56397217		FLEXIBLE PVC 0 500X1 50	
E	56601733		KIT PLATEAU ENCLENCHEUR BROSE DROITE	
E	56366455		PLAQUE DE MAINTIENT	
E	56109653		RESSORT BLOQUAGE DE BROSE	
E	56112521		CARDAN DE SUSPENSION DE PLATEAU	
E	56601056		CLIPS	
E	56601118		SUPPORT DE DISQUE	
O	909 5483 000		COLLIER D16MM	
E	56104297		MOTOVARIO GEARBOX 15/1	[2]
E	56104298		MOTOR	[2]
E	56104300		BRUSH HOUSING ASSEMBLY	[2]
E	56601588		COVER AND SCREWS	

RECOMMENDED SPARE PARTS

SC1500 51D NIL

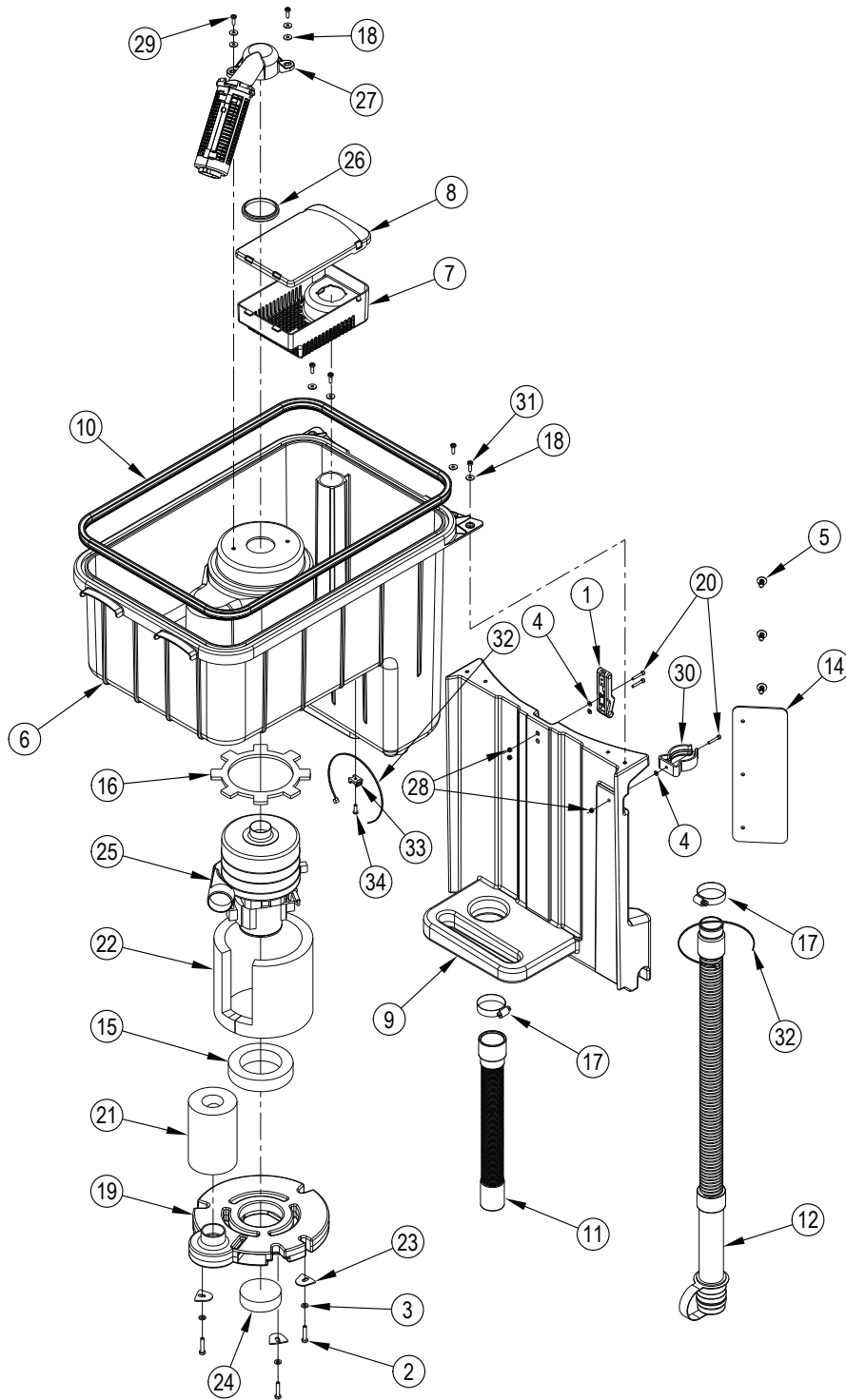
2014.02.10

2014.02.11

Pos.	Réf article	Qté	Désignation	Notes
E	56601508		CHARBON MOTEUR	
O	56601534		CHARBON MOTEUR DE BROSSE	
E	56104344		KIT PIVOT EMBOUCHURE	
E	56104346		DISC DECK HARDWARE KIT	
E	56104347		DISC DECK ASSY 20 KIT	
E	56104050		RESERVOIR DE SOLUTION	
E	56104165		SUPPORT FILTRE	
E	56104194		SUPPORT FREIN	
E	56104209		HINGE ASSEMBLY KIT	
E	56104206		PAUMELLE	
E	56104207		CHARNIERE SOUDEE	
E	56104208		SUPPORT CHARNIERE	
E	56104249		BEARING FLANGE	
E	56104229		GROMMET	[2]
E	51526A		DOUILLE	
E	56104234		ACTIONNEUR FREIN	
E	56104308		PIVOT	
E	56104390		INSERT-BRASS M8	
E	56104391		ADJUSTEMENT PLATEAU	
E	56104409		AXE	
E	56393382		HOSE E00552	[3]
E	56477613		RACC CABLE	
E	56601599		BOUCHON AVEC FIXATION	
E	909 6126 000		BEEPER	
E	56104189		INSERT DE FREIN	
E	56104408		BOUTEILLE CHIMIE ASSEMBLEE	
E	56314942		TUYAU POMPE KIT CHIMIE EMBARQUE	
E	56314991		HOSE CHEM RESISTANT 14	
E	56315241		POMPE	
E	56315517		BOUCHON NOIR	
E	56315523		BOUCHON 1/8 GRIS	
E	909 5149 000		SUPPORT CABLE	
E	56104349		KIT DE VIDANGE	
E	56104350		KIT DE SOLUTION	
E	56104351		KIT FILTRE DE SOLUTION	
E	56104354		KIT BOUCHON SOLUTION	
E	56104356		KIT VERIN DE BROSSE	
E	56104357		TIP PAD KIT	
E	56104358		KIT PETITES PIECES SOLUTION	
W	56104326		KIT LAMELLE CAOUTCHOUX ROUGE	
E	56104327		KIT VIS/RONDELLE/ECT EMBOUCHURE	
E	56104378		KIT EMBOUCHURE COMPLETE	
E	56104429		KIT MOLETTES EMBOUCHURE	
W	56104385		KIT ROUES D EMBOUCHURE	
E	56104386		KIT MAINTIEN LAMELLE D EMBOUCHURE	
E	56104387		KIT EMBOUCHURE	
E	56104335		DECAL SC1500 EU KIT	
E	56104192		KIT ECOFLEX EU	
E	56104403		CHARGER EMBARQUE EU	

Part Notes:

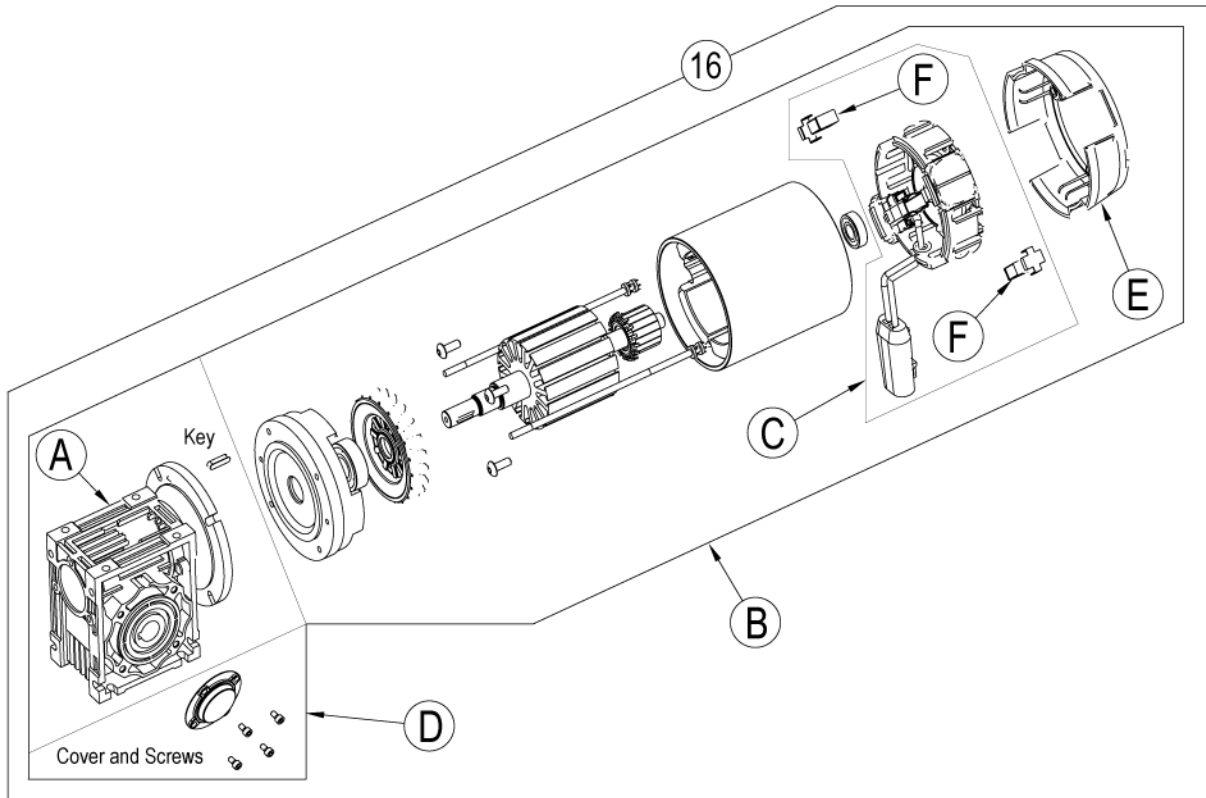
- [1] - GUARANTEE DATE EXPIRED
- [2] - ONLY USED FOR PRODUCTION
- [3] - Expired 10/11/2006



Pos.	Réf article	Qté	Désignation	Notes
1		1	LATCH, DRAW	
2		3	SCREW, HEX THD TO HD M6X30	
3		3	WASHER, FLAT 6,4X12,5 S.S.	
4		3	WASHER, FLAT 4,3X9	
5		3	RIVET, NYLON TREE PUSH-IN (.25)	
6	56104051	1	RESERVOIR DE RECUPERATION	
7		1	DEBRIS CAGE	
8		1	DEBRIS TRAY COVER	
9	56104158	1	PANNEAU NOIR	
10	56104164	1	GASKET-RECOVERY TANK KIT	
11	56104258	1	FLEXIBLE CPLT ASPIRATION	
12	56104285	1	FLEXIBLE DE VIDANGE	
13	56104306	1	HARNES-JUMPER	[1]
14	56104443	1	ANTI ECLABOUSSURE	
15		1	VACUUM MOTOR SUPPORT GASKET	
16		1	GASKET, VACUUM MOTOR	
17	56440213	2	FIXATION TUYAU 3 81MM	
18		8	WASHER, FLAT XL 5,5X15X1,2 SS	
19	909 6051 000	1	COUVERCLE SUPP. MOTEUR D ASPIRATION	
20		3	VITI TCEI/SCR, SOC HD	
21		1	INSULATION TUBE	
22		1	PANEL, ACOUSTIC INSULATION	
23		3	PLATE COVER	
24		1	FILTER	
25		1	VACUUM MOTOR 3 STAGE 24V (M4)	
26		1	GASKET FLOAT SUPPORT	
27		1	FLOAT CAGE-COMplete	
28		3	NUT, HEX NYL LOC THIN M4 SS	
29		6	SCR,PAN PHIL M5X16 SS	
30		1	CLAMP, HOSE D.50	
31	L08812587	2	ATTACHE	
32	909 6595 000	1	SUPPORT PLAT POUR COLLIER	
33	909 7919 000	1		
K1	56104352	1	DRAW LATCH KIT	[2]
K3	56104389	1	FLOAT CAGE EU KIT	[3]
K4	56104360	1	CASIER A DECHETS	[4]
K5	56104362	1	SUPPORT FLEXIBLE	[5]
K6	56104363	1	MOTEUR ASPIRATION	[6]
K7	56104364	1	KIT PETITES PIECES	[7]
K8	56104383	1	KIT ISOLATION MOTEUR ASPI	[8]

Part Notes:

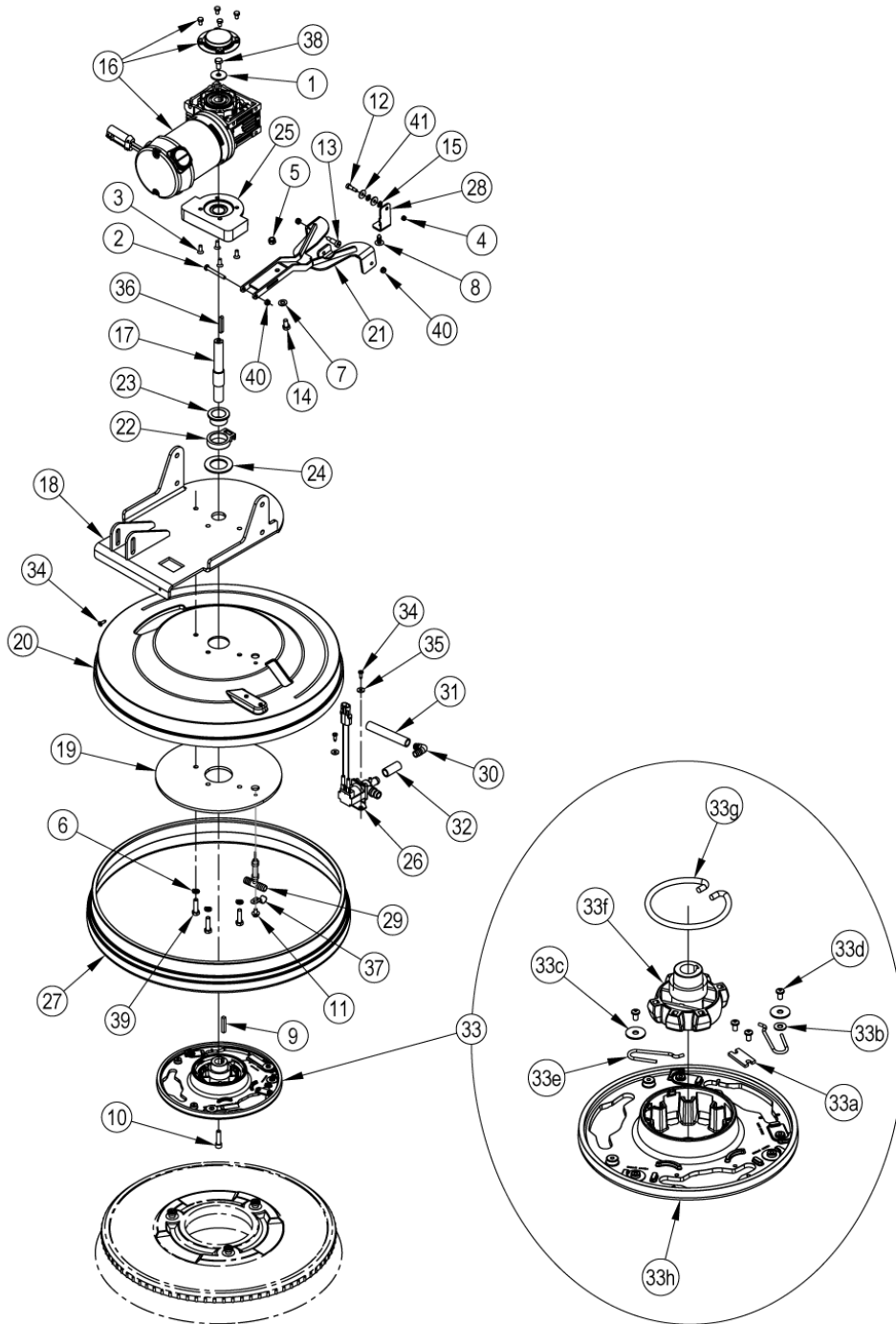
- [1] - NOT SHOWN
- [2] - Includes pos. 1,4,20,28
- [3] - Includes pos. 18,26,27,29
- [4] - Includes pos. 7,8
- [5] - Includes pos. 4,20,28,30
- [6] - Includes pos. 16,25
- [7] - Includes pos. 2,3,4,5,18,20,23,28,29
- [8] - Includes pos. 15,21,22



Pos.	Réf article	Qté	Désignation	Notes
A	56104297	1	MOTOVARIO GEARBOX 15/1	[1]
B	56104298	1	MOTOR	[1]
C	56104300	1	BRUSH HOUSING ASSEMBLY	[1]
D	56601588	1	COVER AND SCREWS	
E	56601508	1	CHARBON MOTEUR	
F	56601534	1	CHARBON MOTEUR DE BROSSE	
16	56104071	1	DISQUE MOTEUR DE BROSSE	

Part Notes:

[1] - ONLY USED FOR PRODUCTION

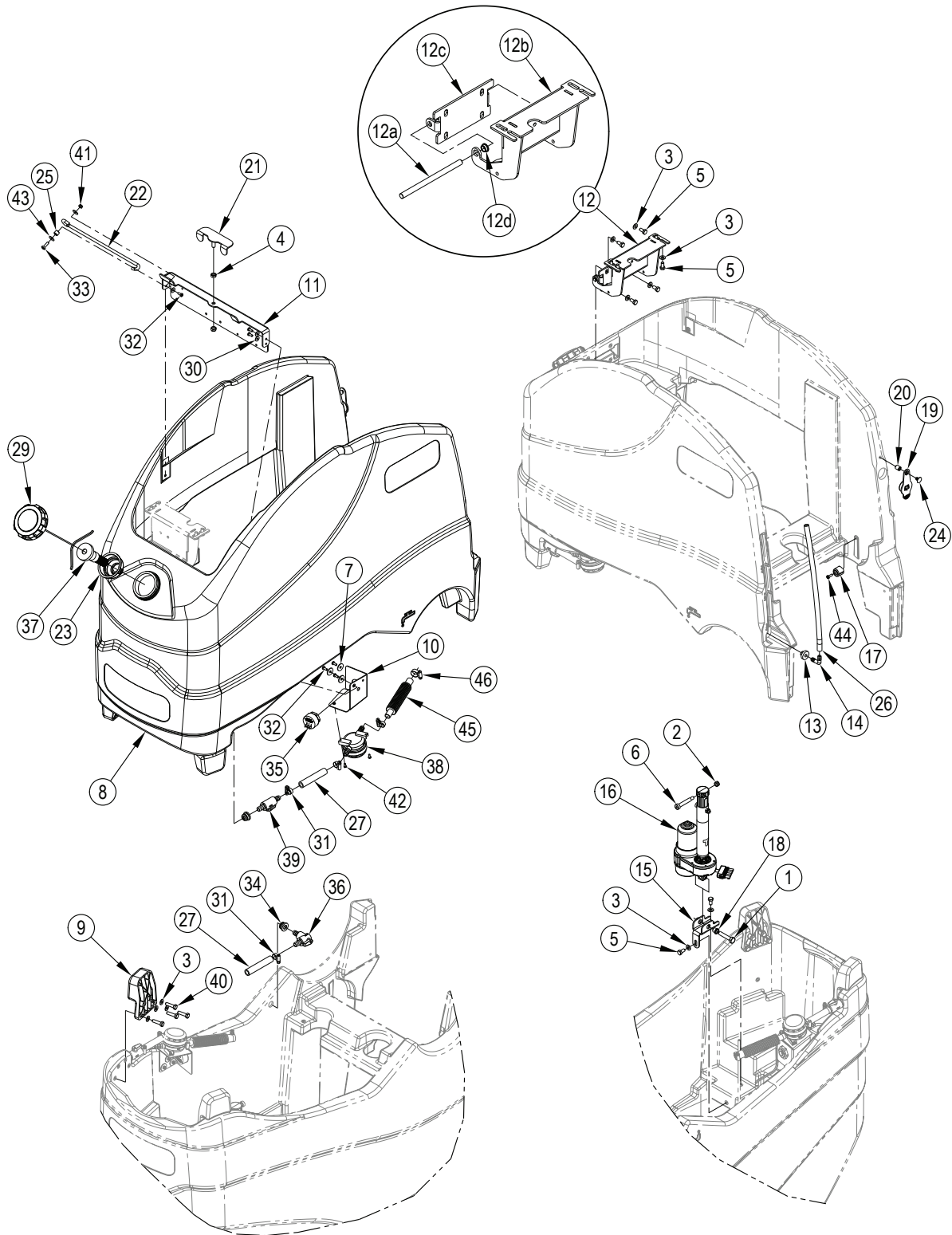


Pos.	Réf article	Qté	Désignation	Notes
1		1	WASHER, FLAT XL 9X32	
2		1	SCREW, HEX THD TO HD M6X50	
3		4	SCREW, FLAT SOCKET HEAD	
4		1	NUT, HEX NYL LOC THIN M5	
5		1	NUT, HEX NYL LOC THIN M8	
6		3	WASHER, SPLIT LOCK D.8	
7		1	WASHER, FLAT 8.4X16X1.6	
8		1	RIVET, NYLON TREE PUSH-IN (.25)	
9		1	KEY, SQUARE .25 X 1.44	
A	56104297	1	MOTOVARIO GEARBOX 15/1	[1]
B	56104298	1	MOTOR	[1]
C	56104300	1	BRUSH HOUSING ASSEMBLY	[1]
D	56601588	1	COVER AND SCREWS	
E	56601508	1	CHARBON MOTEUR	
F	56601534	1	CHARBON MOTEUR DE BROSSE	
10		1	SCR-SOC HD 5/16-18 X 1.25 ZINC	
11		1	SCR-HEX THD FORM M6 X 10MM	
12		1	SCR-SOC SHD M6X12MM X M5-0.8	
13		2	SCR-SOC SHD M8X16MM X M6-1.00	
14		1	SCR-HEX PLASTIC M8-1.25 X 16MM	
15		2	WSH, BOWED .266X.500X.060	
16	56104071	1	DISQUE MOTEUR DE BROSSE	
17	56104095	1	SHAFT DISC BRUSH MOTOR	
18	56104117	1	PLAQUE METAL PONT ELEVATEUR	
19	56104120	1	PLATEAU INFERIEUR	
20	56104121	1	LOGEMENT BROSSE	
21	56104126	1	CORPS METAL EMBOUCHURE	
22		1	SQUEEGEE PIVOT BLOCK	
23		1	BEARING FLANGE	
24		1	SQUEEGEE PIVOT WASHER	
25	56104137	1	ENTRETOISE MOTEUR	
26	56104169	1	KIT ELECTROVANNE	
27	56104240	1	JUPE DE BROSSE	
28	56104241	1	FREIN DOUBLE LAV	
29	56314983	1	RACCORD EN T	
30	56386183	1	HOSE BARB 90 DEG	
31	56397209	1	FLEXIBLE TRANSLUCIDE PVC	
32	56397217	1	FLEXIBLE PVC 0 500X1 50	
33	56601733	1	KIT PLATEAU ENCLENCHEUR BROSSE DROITE	
34		3	SCR, PAN HD THD FORM	
35		2	WASHER, FLAT XL 5,5X15X1,2 SS	
36		1	KEY	
37	909 5483 000	1	COLLIER D16MM	
38		1	SCREW, HEX THD TO HD M8X16 LOCTITE	
39		3	SCREW, HEX THD TO HD M8X30 SS	
40		3	NUT, HEX NYL LOC THIN M6 SS	
41		2	WASHER, FLAT XL SS	
K1	56104344	1	KIT PIVOT EMBOUCHURE	[2]
K2	56104346	1	DISC DECK HARDWARE KIT	[3]
33A	56366455	1	PLAQUE DE MAINTIENT	
33B		1	WSH, FLT STD 10	
33C		2	WSH, FLT .266 X .906 X .060	
33D		4	SCR, PAN PHIL PLASTITE 10-14 X .38	
33E	56109653	2	RESSORT BLOQUAGE DE BROSSE	
33F	56112521	1	CARDAN DE SUSPENSION DE PLATEAU	
33G	56601056	1	CLIPS	
33H	56601118	1	SUPPORT DE DISQUE	

Part Notes:

- [1] - ONLY USED FOR PRODUCTION
- [2] - Includes pos. 22-24
- [3] - Includes pos. 1-15,33b-c-d,34-36,38-41

Comments:



Pos.	Réf article	Qté	Désignation	Notes
1		1	SCREW, HEX THD TO HD M10X50	
2		1	NUT, HEX NYL LOC THIN M8	
3		18	WASHER, FLAT 8.4X16X1.6	
4		2	NUT, HEX NYL LOC-THIN SS 3/8-16	
5		10	SCR-HEX M8-1.25 X 16MM	
6		1	SCR-SOC SHD M10X50MM X M8-1.25	
7		3	WSH, FLT .266 X .906 X .060	
8	56104050	1	RESERVOIR DE SOLUTION	
9		2	TIP PAD	
10	56104165	1	SUPPORT FILTRE	
11	56104194	1	SUPPORT FREIN	
12	56104209	1	HINGE ASSEMBLY KIT	
13	56104229	1	GROMMET	[1]
14	51526A	1	DOUILLE	
15	56104234	1	ACTIONNEUR FREIN	
16		1	ACTUATOR ASSEMBLY (M3)	
17	56104308	2	PIVOT	
18		1	SPACER ACTUATOR	
19		1	RUBBER SOLUTION CAP	
20	56104390	1	INSERT-BRASS M8	
21	56104391	1	ADJUSTEMENT PLATEAU	
22	56104409	1	AXE	
23		1	FILL HOSE SUPPORT	
24		1	CLIP, PANEL	
25		1	BUSHING	
26	56393382	1	HOSE E00552	[2]
27		2	HOSE, SPIRAL .500	
29	56601599	1	BOUCHON AVEC FIXATION	
30		3	WASHER, FLAT XL 5,5X15X1,2 SS	
31		5	CLAMP, HOSE 8/9-16CLAMP, HOSE B32HS	
32		6	SCR, PAN PHIL M5X12 SS	
33		1	Screw	
34		2	GASKET	
35	909 6126 000	1	BEEPER	
36		1	BALL VALVE 90°	
37		1	FILLING HOSE	
38		1	FILTER, WATER	
39		1	BALL VALVE	
40		8	SCREW, HEX THD TO HD M8X30 SS - TSB-FC-2013-127	
41		1	NUT, HEX NYL LOC THIN M6 SS	
42		2	SCR, PAN PHIL M4X10 SS	
43		1	WASHER, FLAT XL SS	
44		2	SCR,PAN PHIL M5X16 SS	
45		1	HOSE, SOLUTION	
46			Clamp Hose Parana 13/20	
K1	56104349	1	KIT DE VIDANGE	[3]
K2	56104350	1	KIT DE SOLUTION	[4]
K3	56104351	1	KIT FILTRE DE SOLUTION	[5]
K4	56104354	1	KIT BOUCHON SOLUTION	[6]
K5	56104356	1	KIT VERIN DE BROSSE	[7]
K6	56104357	1	TIP PAD KIT	[8]
K7	56104358	1	KIT PETITES PIECES SOLUTION	[9]
12A	56104206	1	PAUMELLE	
12B	56104207	1	CHARNIERE SOUDEE	
12C	56104208	1	SUPPORT CHARNIERE	
12D	56104249	2	BEARING FLANGE	

Part Notes:

- [1] - ONLY USED FOR PRODUCTION
- [2] - Expired 10/11/2006
- [3] - Includes pos. 27,31,36
- [4] - Includes pos. 27,31,34,39,45
- [5] - Includes pos. 38,42
- [6] - Includes pos. 19,24
- [7] - Includes pos. 1,2,6,16,18
- [8] - Includes pos. 3,9
- [9] - Includes pos. 1-7,25,30,32,33,40-44

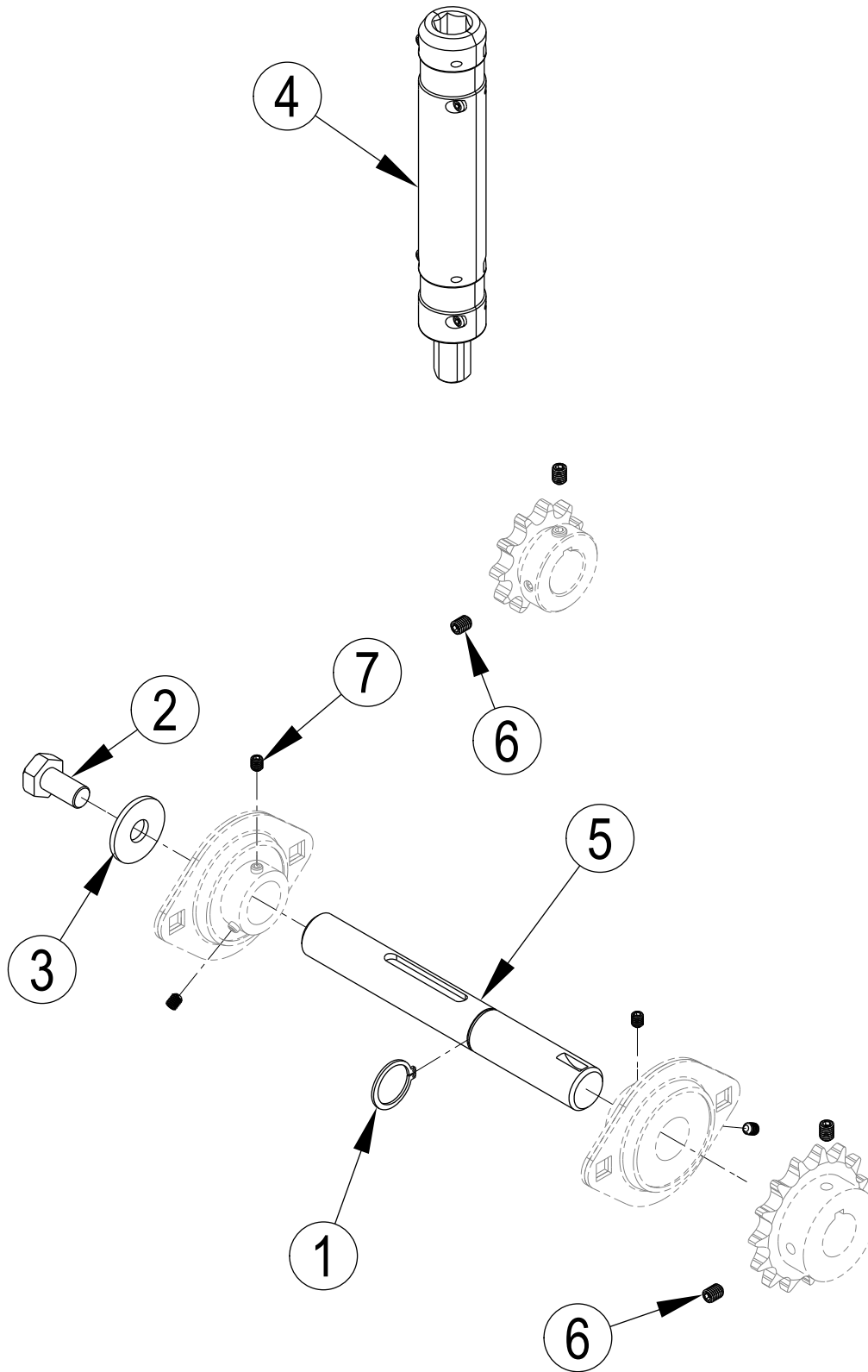
Comments:

SQUEEGEE BLADE SELECTOR GUIDE

Red Gum Rubber: Provides longest life on finished or unfinished concrete floors.

Polyurethane: Oil resistance provides superior life in applications with oily floors.

SQUEEGEE BLADE APPLICATION GUIDE(SUGGESTION ONLY)		
Performance Traits	Red Gum Rubber (Natural Rubber)	Polyurethane/ Pentathane
Resilience		X
Tear Strength		X
Abrasion Resistance	X	X
Wear Resistance	X	X
Low Temp Flexibility	X	
High Temp Flexibility		X
Ozone Resistance		
Chemical Resistance		X
Applications		
Oil Resistant Applications		X
General Purpose	X	X
Hot Water Applications	X	X
Chemical Applications		X
Color	Red	Translucent



56104441 DRIVE WHEEL MOUNTING KIT

SC1500 51D NIL

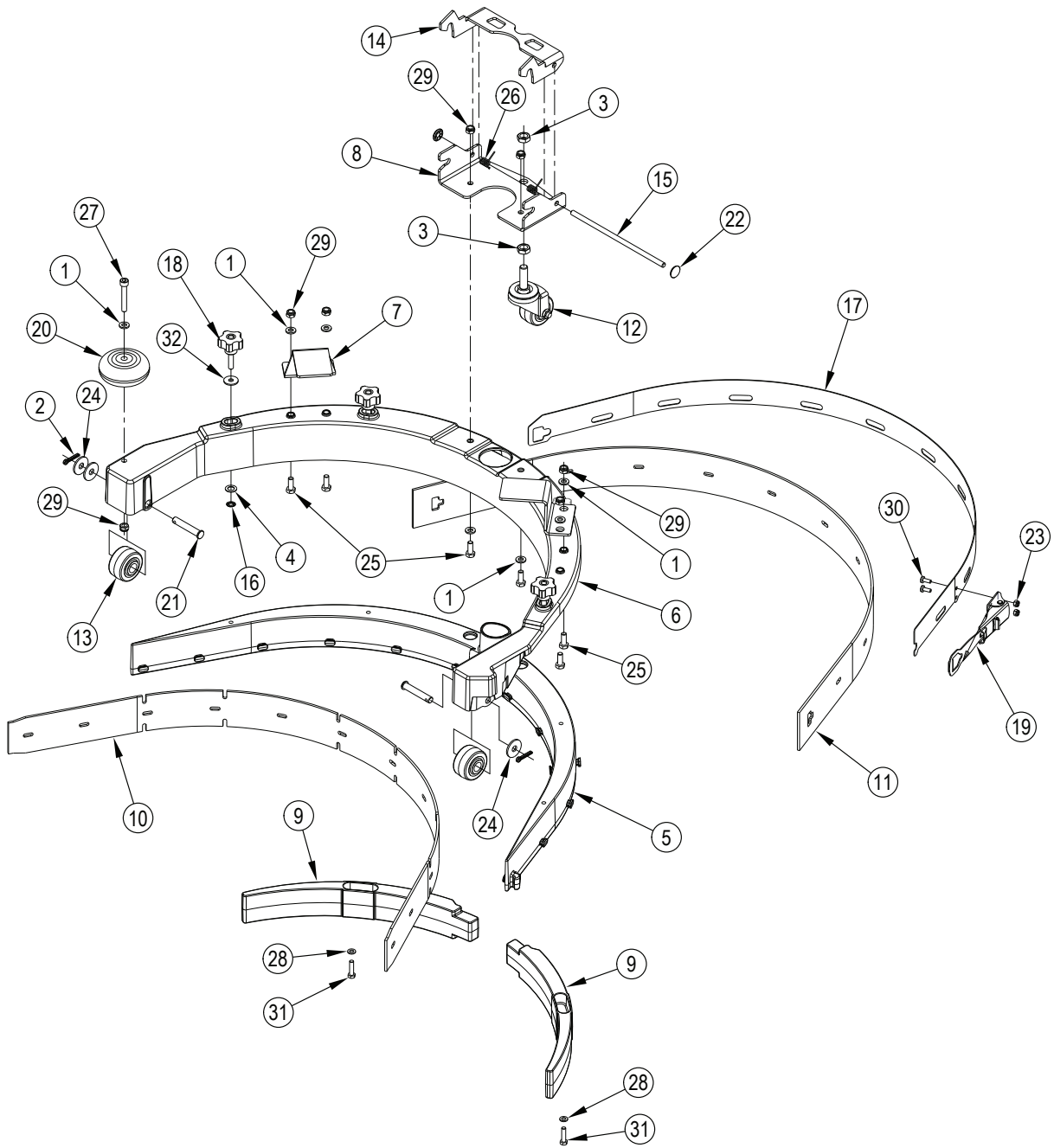
2014.03.07

2014.03.07

Pos.	Réf article	Qté	Désignation	Notes
0	56104441	1	DRIVE AXLE MOUNTING KIT	
1	33006059	1	CIRCLIPS D20	
2	56003533	1	VIS HEX SS M10 150X20	
3	56003959	1	WSH-FLT A2 DIN9021 10.5X30X2.5	[1]
4	56104319	1	TUBE-STEERING ASSEMBLY KIT	
5	56104420	1	AXLE	
6	56104436	4	SOC SET LOC M6 X 1MM X 8MM	
7	56104440	4		

Part Notes:

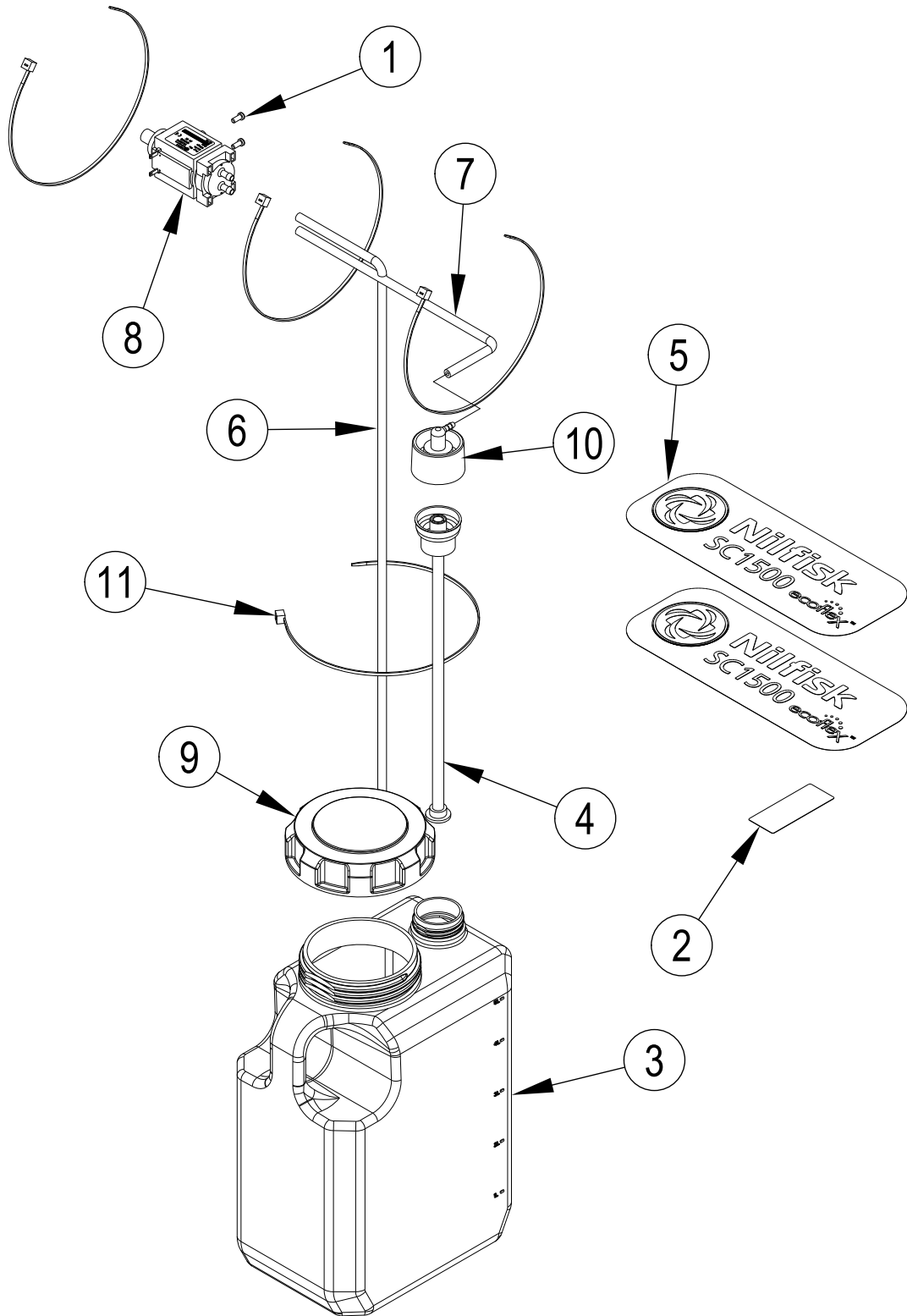
[1] - OPENED BY A MISTAKE



Pos.	Réf article	Qté	Désignation	Notes
1		7	WASHER, FLAT 6,4X12,5 S.S.	
2		2	PIN-COTTER 1/8 X .75	
3		2	NUT-HEX JAM SS 3/8-16	
4		4	WSH-FLT .328 X .563 X .031	
5		1	SQUEEGEE CASTING NOTE 2	
6		1	SQUEEGEE COVER	
7		2	SQUEEGEE LIFT BRACKET	
8		1	SQUEEGEE BRACKET	
9		2	SQUEEGEE PLATE	
10		1	BLADE-SQUEEGEE PU FRONT NOTE 1	
10		1	BLADE-SQUEEGEE RED GUM FRONT NOTE	
11		1	BLADE-SQUEEGEE PU REAR NOTE 1	
11		1	BLADE-SQUEEGEE RED GUM REAR NOTE	
12		1	CASTER WHEEL	
13		2	ROLLER WHEEL	
14		1	SQUEEGEE MOUNT BRKT	
15		1	PIVOT PIN	
16		4	RETAINING RING	
17		1	STRAP-SQUEEGEE REAR	
18		4	KNOB	
19		1	LATCH-T TAB ASSY	
20		1	WHEEL	
21		2	PIN-CLEVIS .312 X 1.84	
22		2	PIN COVER-6MM	
23		2	NUT, HEX NYL LOC THIN M4 SS	
24		3	WASHER 8X24X2 UNI 6593 SS	
25		6	SCREW, HEX THD TO HD M6X16 SS	
26		2	SPRING ACC. LID LH	
27		1	VITI TCEI/SCR, SOC HD	
28		2	WASHER, FLAT 5.3X10X1 SS	
29		7	NUT, HEX NYL LOC THIN M6 SS	
30		2	SCR, PAN PHIL M4X10 SS	
31		2	SCREW, HEX THD TO HD M5X20 SS	
32	L08603689	4	RONDELLE 6X18X1 5	
K1	56104325	1	KIT LAMELLES EMBOUCHURE PUR	[1]
K2	56104326	1	KIT LAMELLE CAOUTCHOUX ROUGE	[2]
K3	56104327	1	KIT VIS/RONDELLE/ECT EMBOUCHURE	[3]
K4	56104378	1	KIT EMBOUCHURE COMPLETE	[4]
K5	56104429	1	KIT MOLETTES EMBOUCHURE	[5]
K6	56104385	1	KIT ROUES D EMBOUCHURE	[6]
K7	56104386	1	KIT MAINTIEN LAMELLE D EMBOUCHURE	[7]
K8	56104387	1	KIT EMBOUCHURE	[8]

Part Notes:

- [1] - Includes pos. 10,11
- [2] - Includes pos. 10,11 optional, not included
- [3] - Includes pos. 1,25,28,29,31
- [4] - Includes pos. 12-31
- [5] - Includes pos. 4,16,18
- [6] - Includes pos. 1-3,12,13,20,21,24,29
- [7] - Includes pos. 17,19,23,30
- [8] - Includes pos. 14,15,22,26,28



Pos.	Réf article	Qté	Désignation	Notes
0	56104192	1	KIT ECOFLEX EU	
1	56002539	2	SCR PAN PHIL TD FORM 6-32 X.31	
2	56016331	1	DECAL CHEMICAL RATIO	
3	56104177	1		
4	56104189	1	INSERT DE FREIN	
5	56104311	2		
6	56314942	1	TUYAU POMPE KIT CHIMIE EMBARQUE	
7	56314991	1	HOSE CHEM RESISTANT 14	
8	56315241	1	POMPE	
9	56315517	1	BOUCHON NOIR	
10	56315523	1	BOUCHON 1/8 GRIS	
11	L08812587	1	ATTACHE	

