

BA 755-855

Model:

BA 755

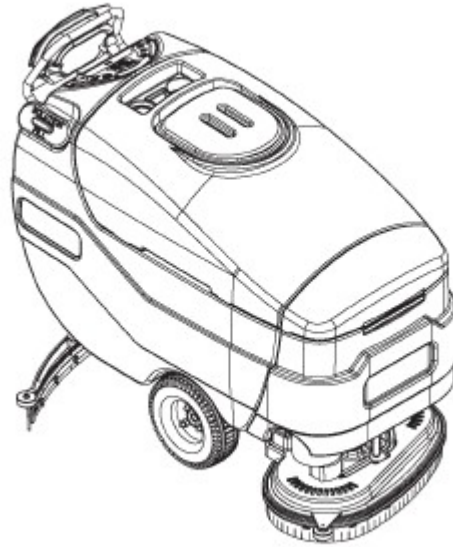
BA 755 C

BA 755 C EDS

BA 755 EDS

BA 855

BA 855 EDS



Part List English

12-11-2014

Table of Contents

BA 755-855

Chassis system	3
Squeegee linkage assembly - before SN1926624	5
Squeegee linkage assembly - after SN1926623	7
Decal system	9
Recovery system	11
Scrub system-disk before SN 1000025514	13
Scrub system-disk after SN 1000025514	16
Scrub system-cylindrical	19
Solution - electrical system-1 EDS	22
Solution - electrical system-1 STD	27
Chemical assembly EDS	31
Paddle assembly	33
Squeegee assembly 1	35
Squeegee assembly 2	37
Wiring diagram - before September 2009	39
Wiring diagram - after September 2009	42
Optional kit and accessories	45
Brush selector guide - disk	48
Brush selector guide - cylindrical	50
Squeegee blade selector guide	52
56315312 - Squeegee Wand Kit	54
56315669 / 56315671 - Deck Kits	56
56315670 / 56315672 - Deck Kits	58
56315681 - Electromagnetic Brake Kit	60
56315658 / 56315665 - Battery Charger Kit	62
56315169 - Extended Scrub 36V Kit	64
56315169 - Extended Scrub 36V Kit	66
56315597 - Sound Reduction Kit	68
56315398 / 56315399 - Side Broom Kit	70
56315398 / 56315399 - Side Broom Kit	72
56315583 - Recovery Tank Support Kit	74
56315727/56315728 - Deck kits	76
56315767 - Squeegee Linkage Kit	78
56380511 - Transaxle Hub Kit 36V	80
56316073 / 56316074 - Deck Kits	82
56381779 Transaxle service kit	84

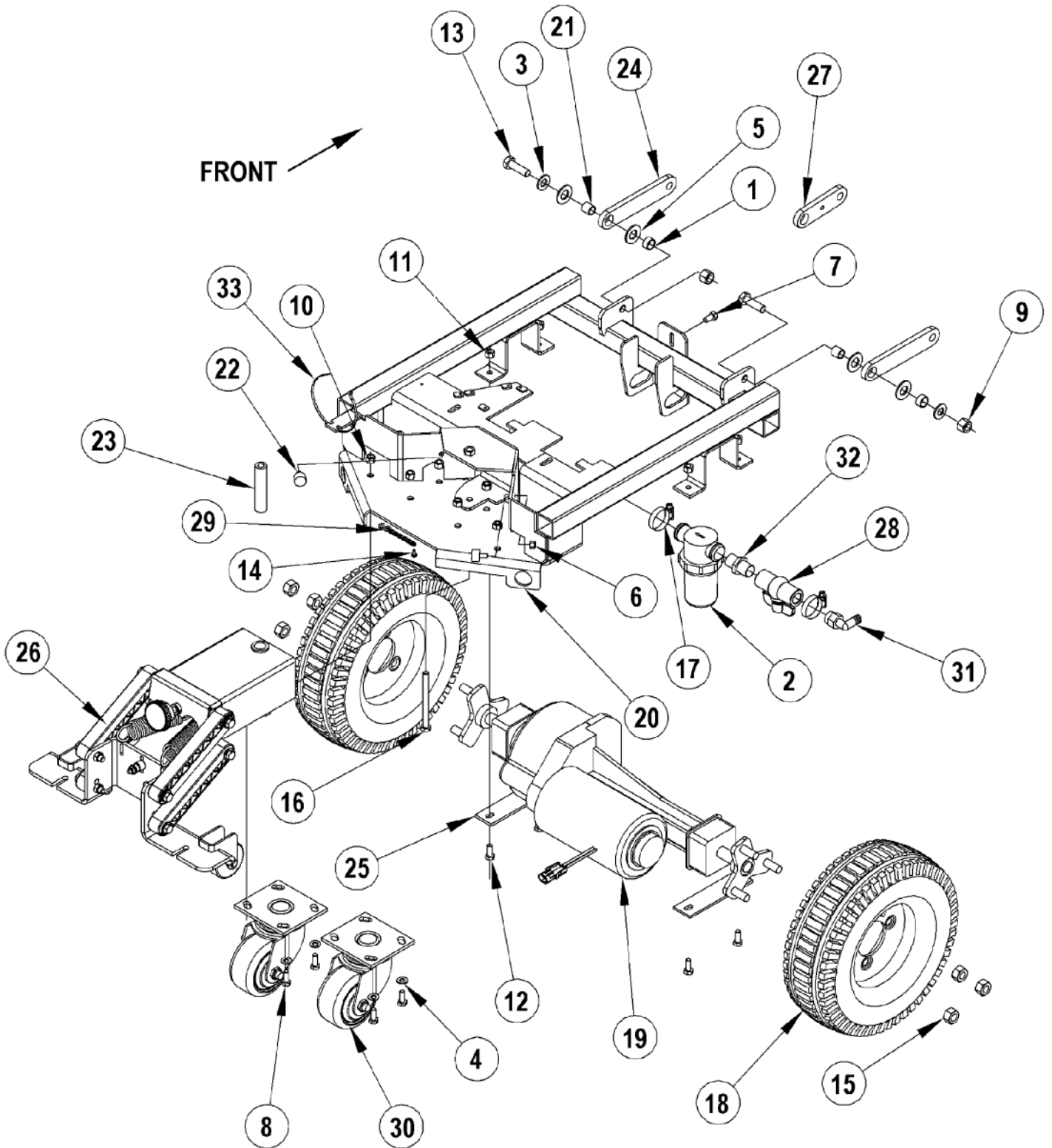
Chassis system

BA 755-855

12-11-2014

Part List ID
E166103

3



Chassis system

BA 755-855

12-11-2014

Part List ID
E166103

4

Pos	Part no.	Qty	Description	
1	56370878	2	BEARING SLEEVE	
2	56412173	1	SOLUTION FILTER	
3	56001879	2	Washer flat Sae 1/2	
4	56001939	10	Washer flat Sae 5/16	
5	56002022	4	WSH FLT SAE 5/8	
6	56002708	2	Nut Hex Nyloc 1/4-20	
7	56003012	3	56003022X 3/4 SS BOLT	
8	56003179	8	Screw	
9	56003312	2	NUT HEX NYL LOC M12-1.75	
10	56003389	8	NUT HEX NYL LOC M*-1.25	
11	56003405	4	NUT HEX NYL LOC M8X1.25	
12	56003435	4	SCREW HEX HD SS M8	
13	56003637	2	SCR HEX	
14	56009029	1	SCR PANPHIL THD FORM 10-2	
15	56009116	6	Lock Nut	
16	56009241	1	SCR HEX 3/8 16X4.25	
17	56131601	2	Clamp Hose SAE16	
18	56315171	2	KIT DRIVE WHEEL	TSBUS2010-1074 (Before February 2011)
18	56315177	1	WHEEL DRIVE	(After February 2011)
18	909 6219 000	2	WHEEL, PU HIGH TRACTION	(OPTIONAL)
19	56315676	1	MOTOR BA755/BA855	NOT SHOWN
19	56315677	4	BRUSH ASSY 4 REQUIRED	NOT SHOWN
19	56315678	2	NEOPRENE MOUNTING SLEEVE	NOT SHOWN
19	56380161	1	KIT COUPLING	NOT SHOWN
19	56380511	1	KIT HUB TRANSAXL	NOT SHOWN - TSBUS2008-1023, TSBUS2009-1042
19	56381779	1	TRANSAXLE SERVICE	See TSB US 2011-0004
19	56382500	1	TRANSAXLE 36V	(M1)
20	56315073	1	CHASSIS WELDMENT	
21	56315080	2	BUSH	
22	56315111	2	CYLINDRICAL MOUNT	
23	56315154	1	BUSHING SPACER	
24	56315179	2	LINKAGE ARM	
25	56315202	2	PLATE TRANSAXLE MOUNT	SBUS2010-1074
26	56315210	1	ASSY SQUEEGEE LINKAGE	
27	56109540	1	PIVOT WELDMENT KIT	
27	56315239	1	LINKAGE ARM	NOTE 1
28	56381475	1	BALL VALVE	
29	56315691	1	GROUND CHAIN	
30	56365555	2	Castor Swivel 4.0 x 2.0	
31	56409152	1	Barb 90 1/2	
32	56412182	1	NIPPLE HEX 3/4-14	
33	56478523	1	CABLE TIE ____E00549	

NOTE 1: As of October 2008 56315239 is no longer used in production. If you need to replace this item please order Kit 56109540.

Squeegee linkage assembly - before SN1926

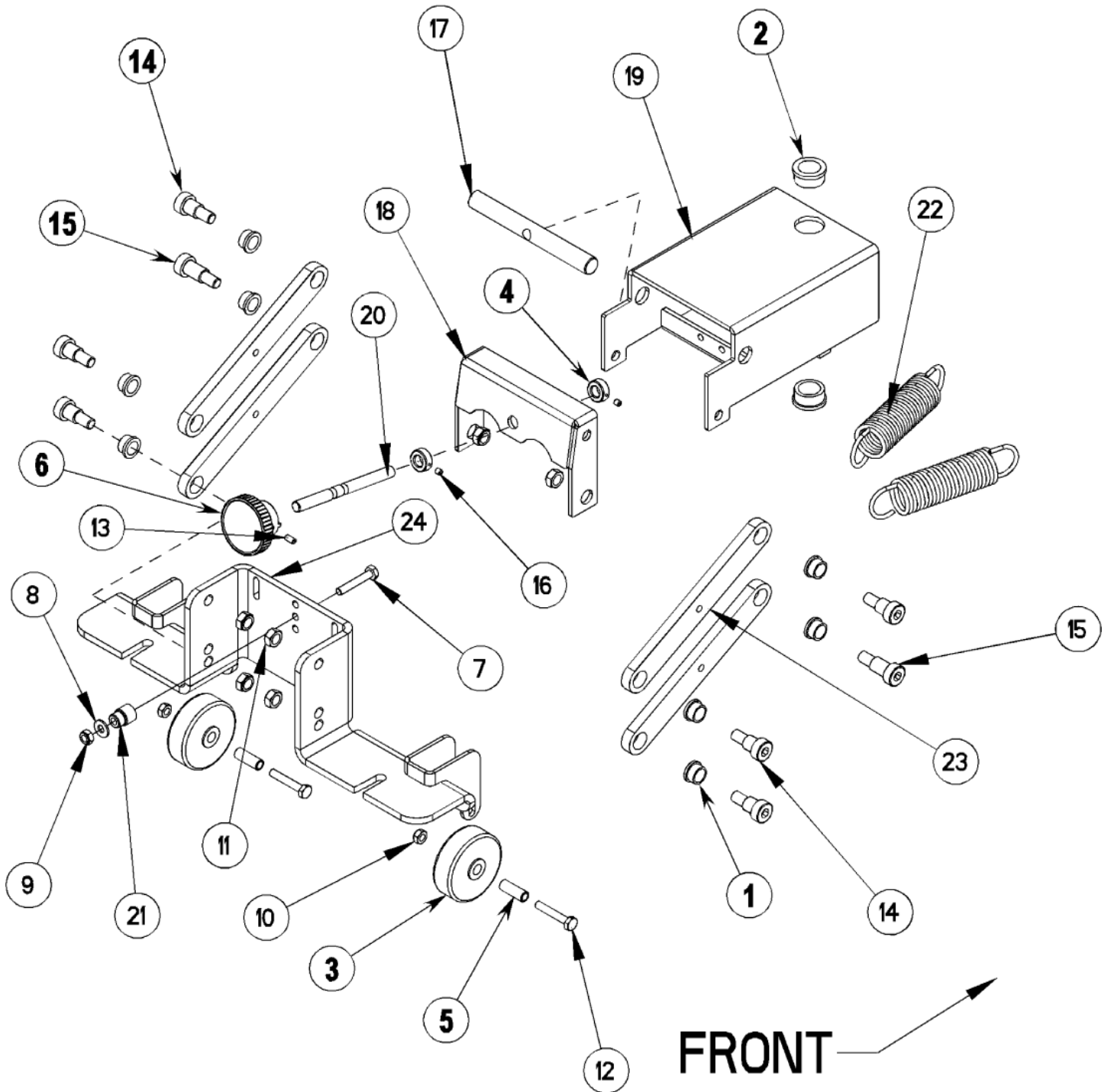
BA 755-855

12-11-2014

Part List ID

E166105

5



Squeegee linkage assembly - before SN19266

BA 755-855

12-11-2014

Part List ID

E166105

6

Pos	Part no.	Qty	Description
	56315210	1	ASSY SQUEEGEE LINKAGE
1	56185264	8	BEARING FLANGE
2	56250414	2	Bearing Flange .752Fa1J_E
3	56324350	2	Wheel Ba500/600
4	56331076	2	Collar .38x.75x.31 Hc611C
5	56315580	2	BRUSHING STAINLESS
6	56475480	1	Knob 2.00 x.375 Re253C
7	56001833	1	Scr Hex Hd 1/4-20 x 1.50
8	56002098	1	Washer flat Sae 1/4
9	56002840	1	Nut Hex NyI (s/s) replaced by 56002708
10	56002850	2	Nut Hex NyI Thin SS (s/s) replaced by 56002491
11	56002852	8	NUT HEX NYL LOC-THIN SS 3
12	56002901	2	Scr Hex Hd SS 1/4-20 x 1.
13	56003123	1	SCR,SOC SET 10-24 X .38
14	56003682	6	SCR SCO HD SHD .50X.50X 3/8 16
15	56003692	2	SCR SOC SHD .50 X .75 X 3/8 16
16	56009084	2	Scr Soc Set Loc 10-24x.19
17	56315082	1	PIN
18		1	BRACKET SQUEEGEE LEVEL
19	56315208	1	WELDMENT SQUEEGEE
20	56315240	1	ROD ADJUSTMENT
21	56315245	1	BUSHING SQUEEGEE CABLE
22	56315295	2	SPRING EXTENSION
23	56315338	4	ARM SQUEEGEE LINKAGE
24	56315698	1	WELDMENT,SQUEEGEE MOUNT

TSBUS2006-915

Squeegee linkage assembly - after SN19266

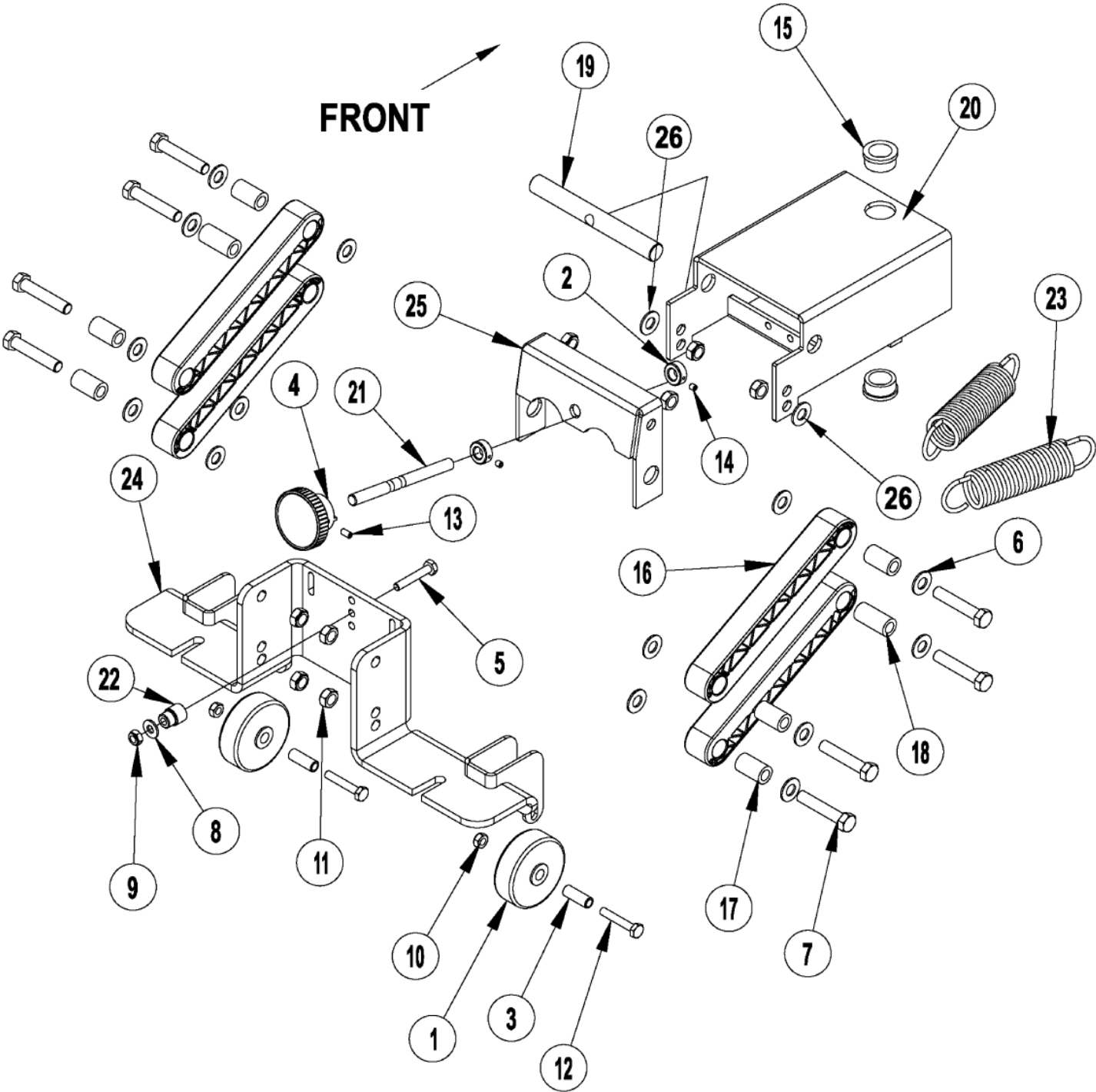
BA 755-855

12-11-2014

Part List ID

E166107

7



Squeegee linkage assembly - after SN192662

BA 755-855

12-11-2014

Part List ID

E166107

8

Pos	Part no.	Qty	Description	
	56315210	1	ASSY SQUEEGEE LINKAGE	
1	56324350	2	Wheel Ba500/600	
2	56331076	2	Collar .38x.75x.31 Hc611C	
3	56315580	2	BRUSHING STAINLESS	
4	56475480	1	Knob 2.00 x.375 Re253C	
5	56001833	1	Scr Hex Hd 1/4-20 x 1.50	
6	56002063	14	Washer flat Sae 3/8	
7	56002091	8	3/8-16 X 2 BOLT	
8	56002098	1	Washer flat Sae 1/4	
9	56002840	1	Nut Hex Nyl (s/s) replaced by 56002708	
10	56002850	2	Nut Hex Nyl Thin SS (s/s) replaced by 56002491	
11	56003219	8	NUT HEX NYL LOC SS 3/8-16	
12	56002880	2	SCR, HEX LOC SS 1/4-20 X 1.75	
13	56003123	1	SCR,SOC SET 10-24 X .38	
14	56009084	2	Scr Soc Set Loc 10-24x.19	
15	56250414	2	Bearing Flange .752Fa1J_E	
16	56315941	4	LINKAGE ARM MOULDED	
17	56315067	6	SPACER PHENOLIC	
18	56315068	2	SPACER PHENOLIC	
19	56315082	1	PIN	
20	56315208	1	WELDMENT SQUEEGEE	
21	56315240	1	ROD ADJUSTMENT	
22	56315245	1	BUSHING SQUEEGEE CABLE	
23	56315295	2	SPRING EXTENSION	
24	56315698	1	WELDMENT,SQUEEGEE MOUNT	TSBUS2006-915
25	56315713	1	BRACKET SQUEEGEE LEVEL	
26	56002940	2	WSH FLT SAE SS 5/8	

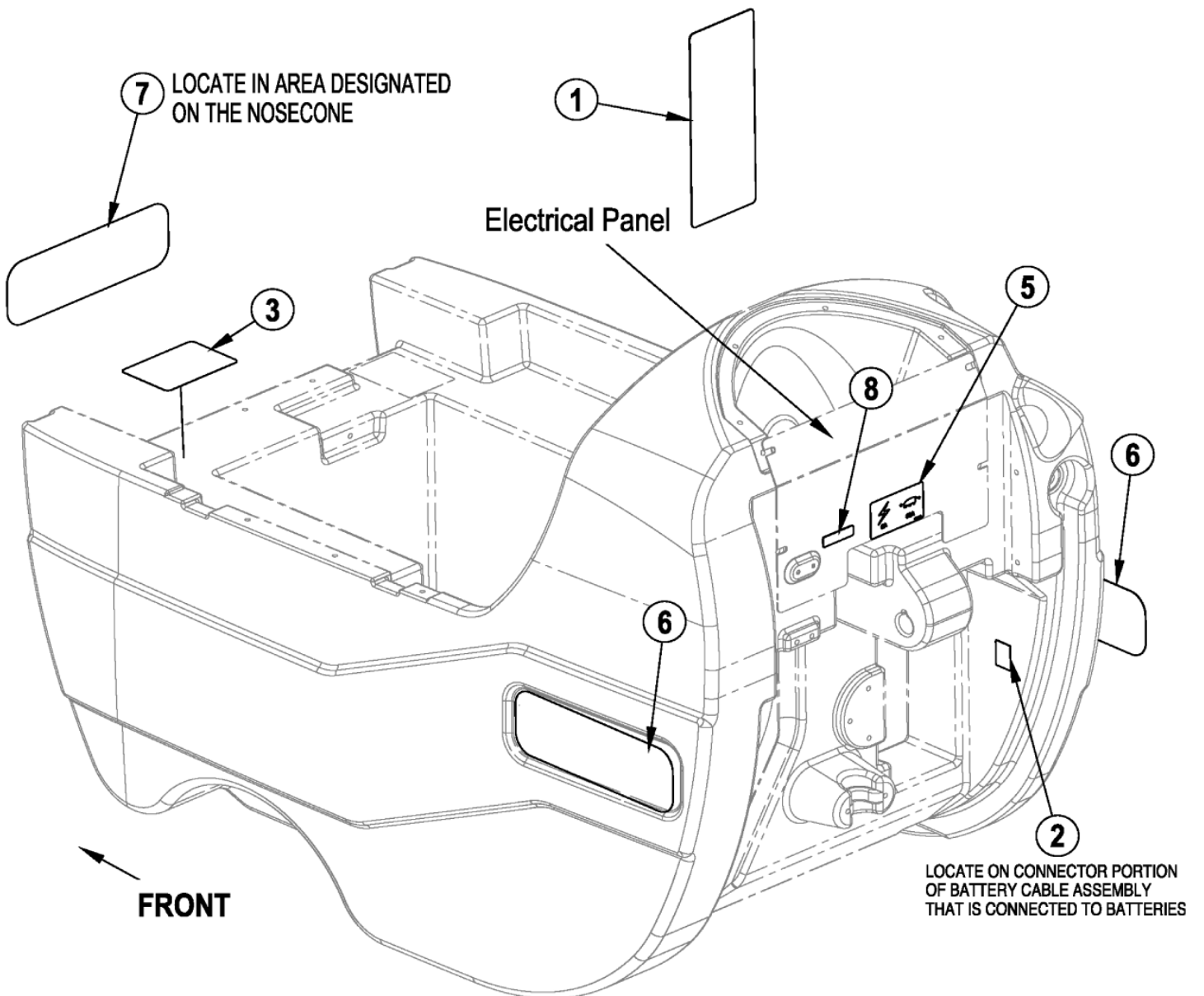
Decal system

BA 755-855

12-11-2014

Part List ID
E166109

9



Decal system

BA 755-855

12-11-2014

Part List ID
E166109

10

Pos	Part no.	Qty	Description
1	56014601	1	DECAL, CAUTION
2	56016324	1	DECAL 36 VOLT
3	56380514	1	DECAL BATTERY WIRING
5	56016690	1	DECAL CIRCUIT BREAKER
6	56016728	2	DECAL BA755
6	56016729	2	DECAL BA855
6	56016732	2	DECAL BA 755 EDS
6	56016733	2	DECAL BA 855 EDS
7	56016731	1	DECAL,NILFISK
8	56014450	1	DECAL PATENT

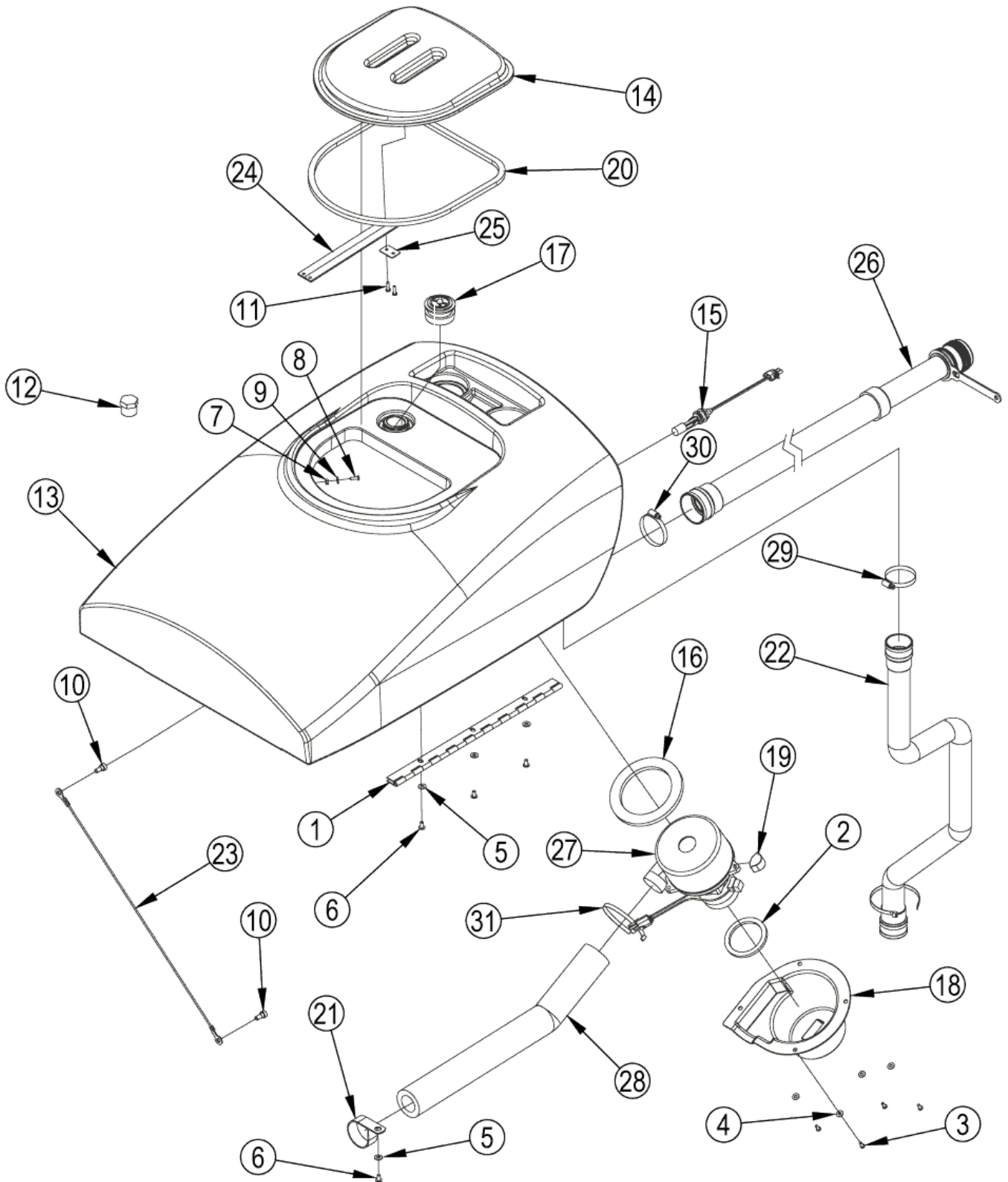
Recovery system

BA 755-855

12-11-2014

Part List ID
E166111

11



Recovery system

BA 755-855

12-11-2014

Part List ID
E166111

12

Pos	Part no.	Qty	Description	
1	56315694	1	HINGE	
2	56412154	1	GASKET VACUUM DUCT	
3	56001993	4	Screw	
4	56002053	4	#10-24 X 1/2 SCREW	
5	56002098	4	Washer flat Sae 1/4	
6	56002145	4	Scr Pan Hd Phil 1/4-20 x	
7	56002849	2	Nut Hex NyI Loc Thin SS 1	
8	56002894	2	SCR PAN PHIL SS 10-24 X 0	
9	56002919	2	WSH FLT STD SS >10	
10	56003730	2	SCR SOC HD.38X.25 5/16-18	
11	56003711	2	SCR PAN SS PLASTITE 10-14 X.62	
12	56305464	1	PLUG PIPE E00040	NOTE 1
13	56315406	1	TANK RECOVERY	TSBUS2006-938 / TSBUS2007-952
14	56315176	1	RECOVERY LID	
15	56315096	1	SWITCH, FLOAT	
16	56315098	1	GASKET VAC MOTOR	
17	56315099	1	SCREEN, PIPE INLET	
18	56315102	1	SHROUD ONE VAC MOTOR	
19	56315141	3	MOUNT VIBRATION	
20	56315220	1	GASKET, RECOVERY LID	
21	56315257	1	CLAMP P	
22	56315268	1	VAC HOSE 1.5"	
23	56315272	1	CABLE ASSEMBLY	
24	56315303	2	RETAINING STRAP	
25	56315346	1	PLATE	
26	56381940	1	DRAIN HOSE RIBBED	NOTE 2
26	56601411	1	DRAIN HOSE CAP KIT	NOT SHOWN
26	56601413	1	DRAIN HOSE KIT	NOT SHOWN - NOTE 2
27	56377001	1	CARBON BRUSH (SET OF 2)	NOT SHOWN
27	56391208	1	Vac Motor Assy	(M4)
28	56315375	1	FOAM ACOUSTICAL HOSE	
28	56315597	1	KIT SOUND REDUCTION	OPTIONAL Not included
28	56601410	1	DRAIN HOSE EXTENSION	OPTIONAL Not included
29	56440213	1	Clamp hose Sae #32E00047	
30	56456797	1	CLAMP, HOSE	
31	56477613	2	Cable Tie E00549 Re409S	

NOTE 1: Not used after March 2008.

NOTE 2: Drain Hose 56315638 has been replaced by Drain Hose 56601405 in production. When replacing 56315638 you need to order Drain Hose Kit

Scrub system-disk before SN 100025514

BA 755-855

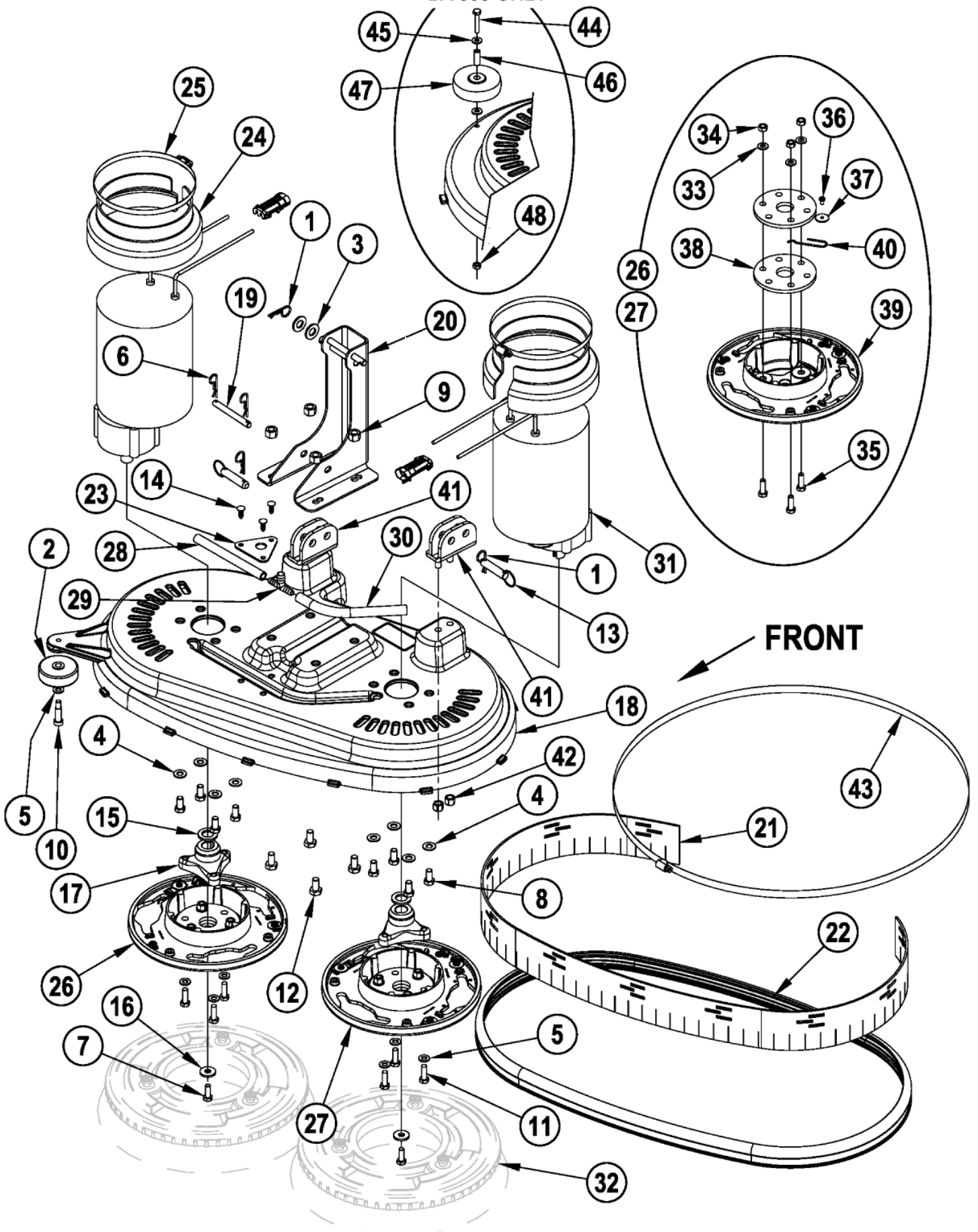
12-11-2014

Part List ID

E166113

13

BA 855 ONLY



Scrub system-disk before SN 100025514

BA 755-855

12-11-2014

Part List ID E166113

14

Pos	Part no.	Qty	Description	
1	56002959	3	Pin Cot Hair SS.125x.5dia	NOTE 3
2	56324350	1	Wheel Ba500/600	
3	56001879	2	Washer flat Sae 1/2	NOTE 3
4	56002910	8	Washer flat	
5	56002938	7	5/16 SS FLAT WASHER	
6	56003120	2	Cotter Hair Pin	
7	56003335	2	SCREW HEX LOC SS 5/16-18 X .88	
8	56003338	8	SCREW, FLT PHIL	
9	56003438	4	NUT HEX NYL LOC SS M10- 1 .50	
10	56003472	1	SCR SOC SHD	(BA 755)
11	56003477	6	Scr Hex loc SS M8 1 x 25mm	
12	56003533	4	SCR HEX HD SS M10-1.50 X 20MM	
13	56003679	2	PIN RING .50 X 1.63	
14	56003693	3	RIVET NYLON TREE PUSH IN	
15	56009022	2	Washer flat	
16	56009107	2	WSH FLT SS .378/.373X1.00	
17	56314108	2	HUB DRIVE	
18	56315588	1	SCRUB DECK DISC,CAST,28	(BA 755) NOTE 1
18	56315859	1	SCRUB DECK DISC	(BA 855) NOTE 1
19	56315161	1	PIN	
20	56315719	1	DECK ACTUATOR WELDMENT	NOTE 1
21	56315274	1	SKIRT, RUBBER 24	(BA 755)
21	56315626	1	SKIRT, RUBBER 32"	(BA 855)
22	56315754	1	EXTRUDED BUMPER 28" DECK	
22	56315755	1	EXTRUDED BUMPER 32" DECK	
23	56315339	1	BRACKET	
24	56315648	2	SHROUD MOTOR	
25	56355488	2	CLAMP HOSE SAE 96 ER0004	
26		1	BRUSH PLATE KIT COUNTER CLOCK	(33-40) TSBUS2009-1039
27		1	BRUSH PLATE KIT CLOCKWISE	(33-40) TSBUS2009-1039
28	56396195	1	HOSE PVE	
29	56397300	1	TEE BARB	
30	56397301	1	HOSE,PVC	
31	56397138	4	BRUSH SPRING	NOT SHOWN - NOTE 4
31	56397139	4	BRUSH ASSEMBLY	NOT SHOWN - NOTE 4
31	56397316	2	MOTOR/GEAR UNIT ASSEMBLY	(M2 / M3) - TSBUS2010-1059
32		1	NOTE COMMENT	SEE BRUSH SELECTOR GUIDE

NOTE 1: The Deck Casting (item #18) has been redesigned. The old style castings (56315053 - 28 Inch & 56315052 - 32 Inch) are no longer available. If you have a machine built prior to this change (old style deck assembly DOES NOT include items 41 & 42) and need to replace one of these deck castings you need to order one of the kits listed below . These kits include items (9, 12, 14, 18, 20, 41, 42, 43).

Old Deck: Order Kit:
 56315053 (BA 755) 56315727 - pos. 100
 56315052 (BA 855) 56315728 - pos. 101

NOTE 2: Extruded Bumpers PNs 56315318 & 56315627 are obsolete. If you need to replace one of these bumpers please order one of the kits listed below .

Old Bumper: Order Kit:

Scrub system-disk before SN 100025514

BA 755-855

12-11-2014

Part List ID
E166113

15

Pos	Part no.	Qty	Description	
33	56002938	3	5/16 SS FLAT WASHER	
34	56003405	3	NUT HEX NYL LOC M8X1.25	
35	56003639	3	SCR, HEX SS M8-1.25 X 30M	
36	56009030	1	SCR PAN PHIL THD FOM 10-2	
37	56009096	1	Washer flat .193x.875x.06	
38	56383238	2	BRUSH DRIVE DISC	
39	56314030	1	BRUSH HOLDER	
40	56397081	1	SPRING RETAINER	
41	56315373	2	DECK MOUNT BRKT WELDT RHS	NOTE 1
42	56002769	4	Nut Hex	NOTE 1
43	56315759	1	BAND CLAMP ADJUSTABLE	(BA 755)
43	56315761	1	BAND CLAMP ADJUSTABLE	(BA 855)
44	56002880	1	SCR, HEX LOC SS 1/4-20 X 1.75	(BA 855)
45	56002859	2	Washer flat Sae SS 1/4	(BA 855)
46	56315580	1	BRUSHING STAINLESS	(BA 855)
47	56049261	1	WHEEL	(BA 855)
48	56002850	1	Nut Hex Ny! Thin SS (s/s) replaced by 56002491	(BA 855)
100	56315727	1	DECK KIT 28"	
101	56315728	1	DECK KIT,32"	
110	56315764	1	BUMPER KIT	
111	56315765	1	BUMPER KIT	

NOTE 1: The Deck Casting (item #18) has been redesigned. The old style castings (56315053 - 28 Inch & 56315052 - 32 Inch) are no longer available. If you have a machine built prior to this change (old style deck assembly DOES NOT include items 41 & 42) and need to replace one of these deck castings you need to order one of the kits listed below . These kits include items (9, 12, 14, 18, 20, 41, 42, 43).

Old Deck: Order Kit:
56315053 (BA 755) 56315727 - pos. 100
56315052 (BA 855) 56315728 - pos. 101

NOTE 2: Extruded Bumpers PNs 56315318 & 56315627 are obsolete. If you need to replace one of these bumpers please order one of the kits listed below .

Old Bumper: Order Kit:

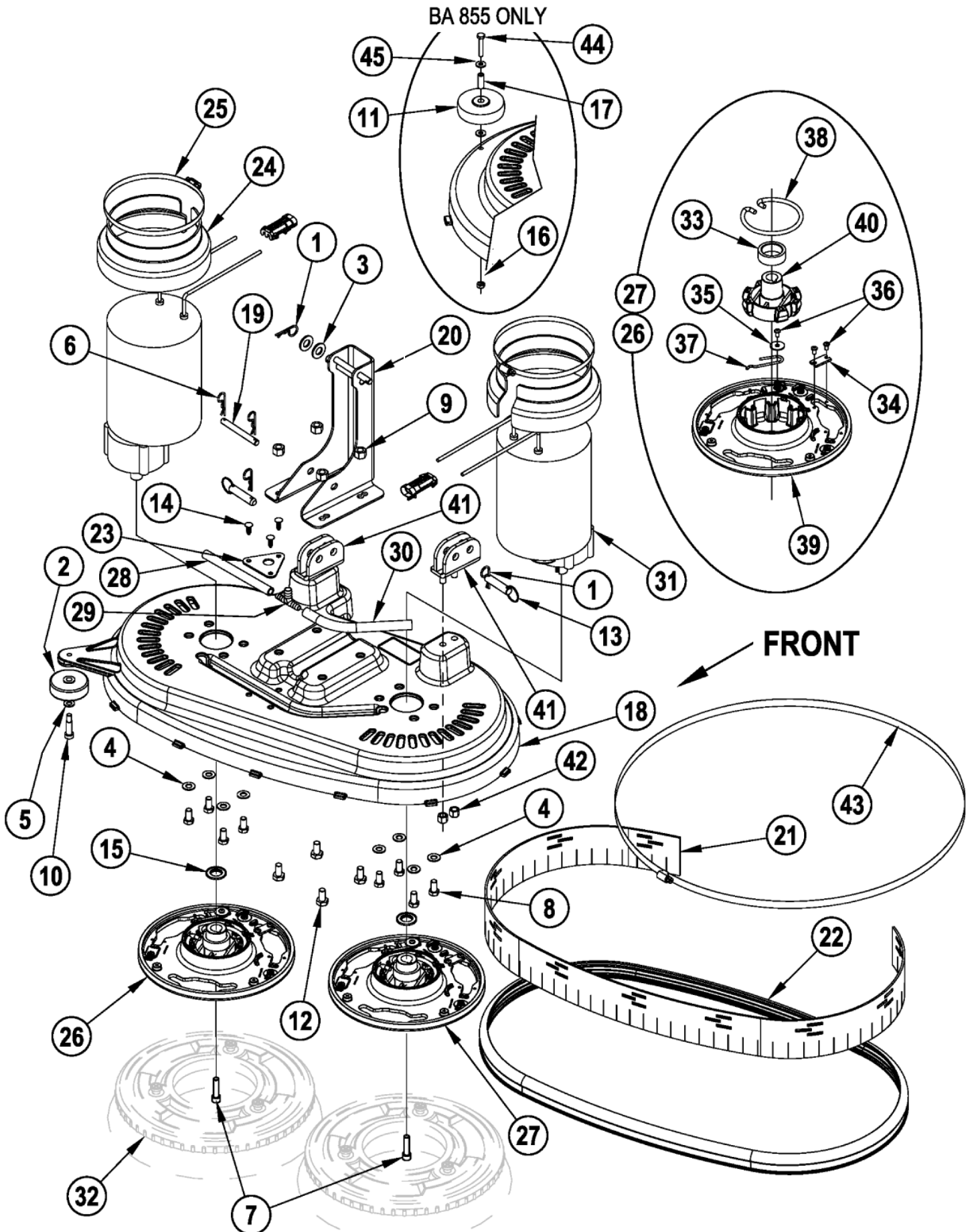
Scrub system-disk after SN 100025514

BA 755-855

12-11-2014

Part List ID
E166115

16



Scrub system-disk after SN 100025514

BA 755-855

12-11-2014

Part List ID E166115

17

Pos	Part no.	Qty	Description	
1	56002959	2	Pin Cot Hair SS.125x.5dia	
2	56324350	1	Wheel Ba500/600	BA 755
3	56001879	2	Washer flat Sae 1/2	
4	56002910	8	Washer flat	
5	56002938	1	5/16 SS FLAT WASHER	
6	56003120	2	Cotter Hair Pin	
7	56002131	2	SCR SOC HD 5/16-18 X 1.25	
8	56003338	8	SCREW, FLT PHIL	
9	56003438	4	NUT HEX NYL LOC SS M10- 1 .50	
10	56003472	1	SCR SOC SHD	BA 755
11	56049261	1	WHEEL	BA 855
12	56003533	4	SCR HEX HD SS M10-1.50 X 20MM	
13	56003679	2	PIN RING .50 X 1.63	
14	56003693	3	RIVET NYLON TREE PUSH IN	
15	56009022	2	Washer flat	
16	56002850	1	Nut Hex NyI Thin SS (s/s) replaced by 56002491	BA 855
17	56315580	1	BRUSHING STAINLESS	BA 855
18	56315588	1	SCRUB DECK DISC,CAST,28	BA 755
18	56315859	1	SCRUB DECK DISC	BA 855
19	56315161	1	PIN	
20	56315719	1	DECK ACTUATOR WELDMENT	
21	56315274	1	SKIRT, RUBBER 24	BA 755
21	56315626	1	SKIRT, RUBBER 32"	BA 855
22	56315754	1	EXTRUDED BUMPER 28" DECK	BA 755
22	56315755	1	EXTRUDED BUMPER 32" DECK	BA 855
23	56315339	1	BRACKET	
24	56315648	2	SHROUD MOTOR	
25	56355488	2	CLAMP HOSE SAE 96 ER0004	
26	56109651	1	BRUSH PLATE ASSY CCW	33-40
27	56109652	1	BRUSH PLATE ASSY CW	33-40
28	56396195	1	HOSE PVE	
29	56397300	1	TEE BARB	
30	56397301	1	HOSE,PVC	
31	56397138	4	BRUSH SPRING	NOT SHOWN - NOTE 1
31	56397139	4	BRUSH ASSEMBLY	NOT SHOWN - NOTE 1
31	56397316	2	MOTOR/GEAR UNIT ASSEMBLY	M2 / M3 - TSBUS2010-1059
32		1	NOTE COMMENT	SEE BRUSH SELECTOR GUIDE - NOT AVAILABLE
33	61658A	1	COLLAR. RUSH DRIVER (26/3	
34	56366455	1	Plate Cv24B	
35	56009002	1	Washer flat	
36	56009247	3	SCR PN PHIL PLASTITE 10	
37	56109653	1	SPRING RETAINER	

NOTE 1: If your Motor / Gear Unit Assembly has a serial tag from Imperial Electric order (4) Carbon Brushes 56397139 or (4) Brush Springs 56397138.

If your Motor / Gear Unit Assembly has a serial tag from Nilfi sk-Advance order Carbon Brush Set 56380634 or

Scrub system-disk after SN 1000025514

BA 755-855

12-11-2014

Part List ID
E166115

18

Pos	Part no.	Qty	Description	
38	56601056	1	SPRING BRUSH HOLDER	
39	56601118	1	BURSH PLATE	
40	56112521	1	GIMBAL COLLAR ASSEMBLY	
41	56315373	2	DECK MOUNT BRKT WELDT RHS	
42	56002769	4	Nut Hex	
43	56315759	1	BAND CLAMP ADJUSTABLE	BA 755
43	56315761	1	BAND CLAMP ADJUSTABLE	BA 855
44	56002880	1	SCR, HEX LOC SS 1/4-20 X 1.75	BA 855
45	56002859	2	Washer flat Sae SS 1/4	BA 855

NOTE 1: If your Motor / Gear Unit Assembly has a serial tag from Imperial Electric order (4) Carbon Brushes 56397139 or (4) Brush Springs 56397138.

If your Motor / Gear Unit Assembly has a serial tag from Nilfi sk-Advance order Carbon Brush Set 56380634 or

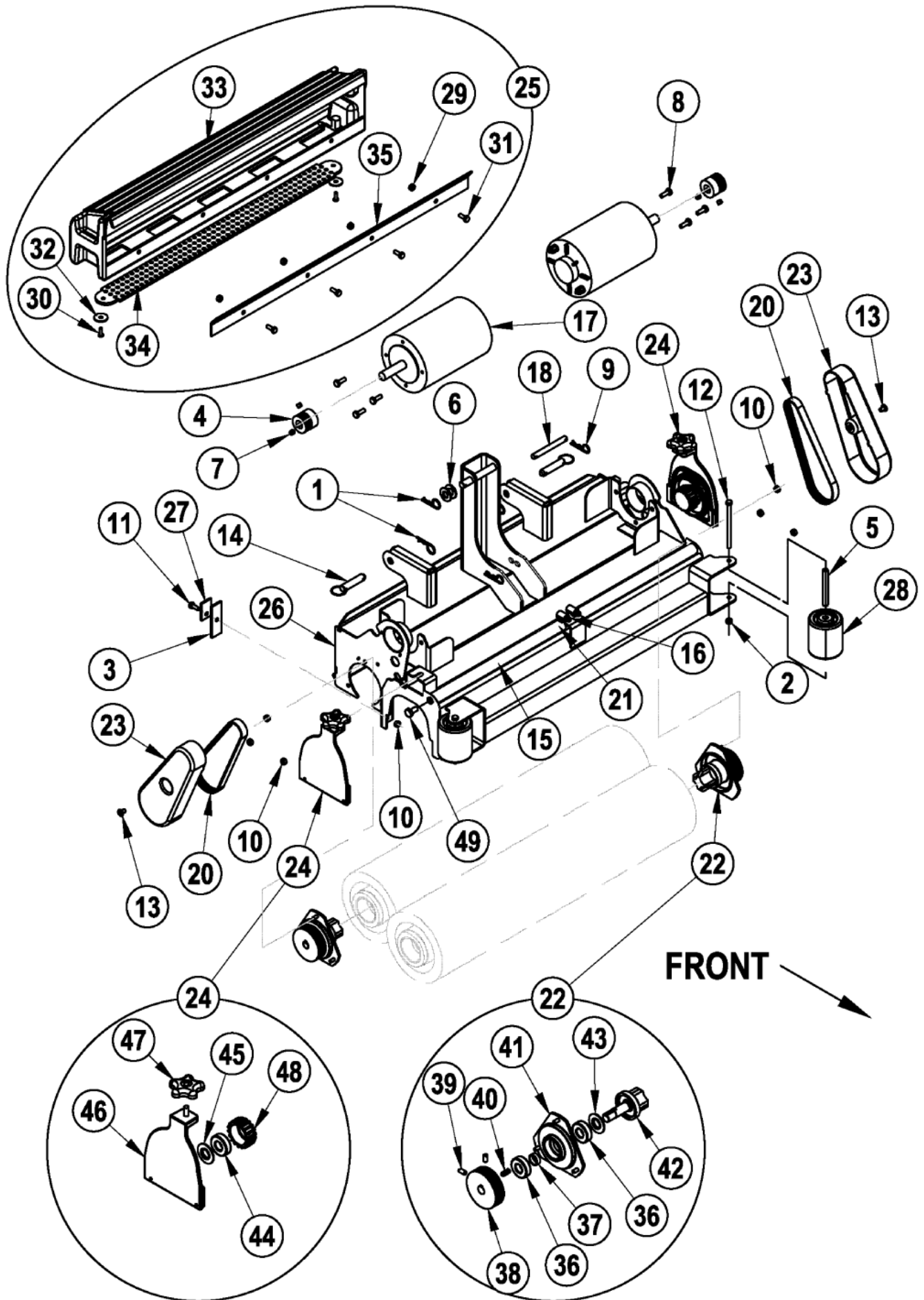
Scrub system-cylindrical

BA 755-855

12-11-2014

Part List ID
E166117

19



Scrub system-cylindrical

BA 755-855

12-11-2014

Part List ID E166117

20

Pos	Part no.	Qty	Description	
1	56002959	3	Pin Cot Hair SS.125x.5dia	NOTE 1
2	56003403	2	Nut	
3	56407391	2	BLADE	
4	56407433	2	SHEAVE	
5	56412176	2	BUSHING	
6	56001879	6	Washer flat Sae 1/2	NOTE 1
7	56002086	4	Scr Soc Set 5/16-18 x .25	
8	56002948	6	Scr Hex Hd Loc 1/4-20(s/s)	
9	56003120	2	Cotter Hair Pin	
10	56003426	8	NUT HEX NYL LOC SS M6-1.0	
11	56003431	2	SCR HEX HD SS M6-1.0 X 16 MM 16 pieces in a pack	
12	56003492	2	SCR HEX M6-1.0 X 95MM	
13	56003603	2	SCR,PAN PHILTHDFORM 1/4-2	
14	56003679	2	PIN RING .50 X 1.63	
15	56315355	2	MANIFOLD PVC 28	(BA 755)
16	56219932	2	Clamp hose Sae 6 E00047	
17	56315611	2	MOTOR 36VDC .75HP 1800RPM	(M2 / M3)
17	56380003	1	MOTOR BRUSH/SPRING KIT	NOT SHOWN - NOTE 2
17	56412287	1	BRUSH / SPRING KIT (1 PER MOTOR)	NOT SHOWN - NOTE 2
18	56315161	1	PIN	
19	56315320	2	HARNESS BRUSH	(NOT SHOWN)
20	56315321	2	BELT, AUTO TENSION	
21	56262549	1	Tee	
22	56407559	2	DRIVE END ASSY	(36-43)
23	56315445	2	COVER, BELT	
24	56314445	2	IDLER END ASSEMBLY	(44-48)
25	56315459	1	HOPPER ASSEMBLY 28"	(BA 755 / 29-35)
26	56315470	1	HOUSING WELDMENT 28	(BA 755)
27	56410214	2	STRAP	
28	56412459	2	WHEEL	
29	56003426	4	NUT HEX NYL LOC SS M6-1.0	
30	56002896	2	Scr Pan Phil SS 10-24 x 0	
31	56003431	4	SCR HEX HD SS M6-1.0 X 16 MM 16 pieces in a pack	
32	56009060	2	Washer	
33	56315460	1	HOPPER 28"	(BA 755)
34	56315464	1	HOPPER SCREEN 28	(BA 755)
35	56315467	1	HOPPER BRACKET 28	(BA 755)
36	56106070	2	Ball Bearing Z22	
37	56407389	1	SPACER	
38	56407442	1	SHEAVE POLY-V	
39	56002119	2	Screw Soc Set	

NOTE 1: As of October 2008 a new upper deck linkage arm (56315836) is being used in production. The quantity of item #1 is reduced to 2 and the quantity of item #6 is reduced to 4.

NOTE 2: If your cylindrical scrub motor has a serial tag from Scott Motors Co. order Brush / Spring Kit 56412287.

Scrub system-cylindrical

BA 755-855

12-11-2014

Part List ID

E166117

21

Pos	Part no.	Qty	Description
40	56003237	1	KEY SQ 19 X .62
41	56381765	1	BEARING PLATE
42	56109527	1	SPINDLE
43	56407558	1	WASHER, BEARING
44	56106070	1	Ball Bearing Z22
45	56407558	1	WASHER, BEARING
46	56315447	1	IDLER BEARING PLATE
47	56396254	1	KNOB 56407303 REPLACED
48	56407551	1	HUB
49	56002992	2	SCR HEX HD SS 5/16-18 X 0

NOTE 1: As of October 2008 a new upper deck linkage arm (56315836) is being used in production. The quantity of item #1 is reduced to 2 and the quantity of item #6 is reduced to 4.

NOTE 2: If your cylindrical scrub motor has a serial tag from Scott Motors Co. order Brush / Spring Kit 56412287.

Solution - electrical system-1 EDS

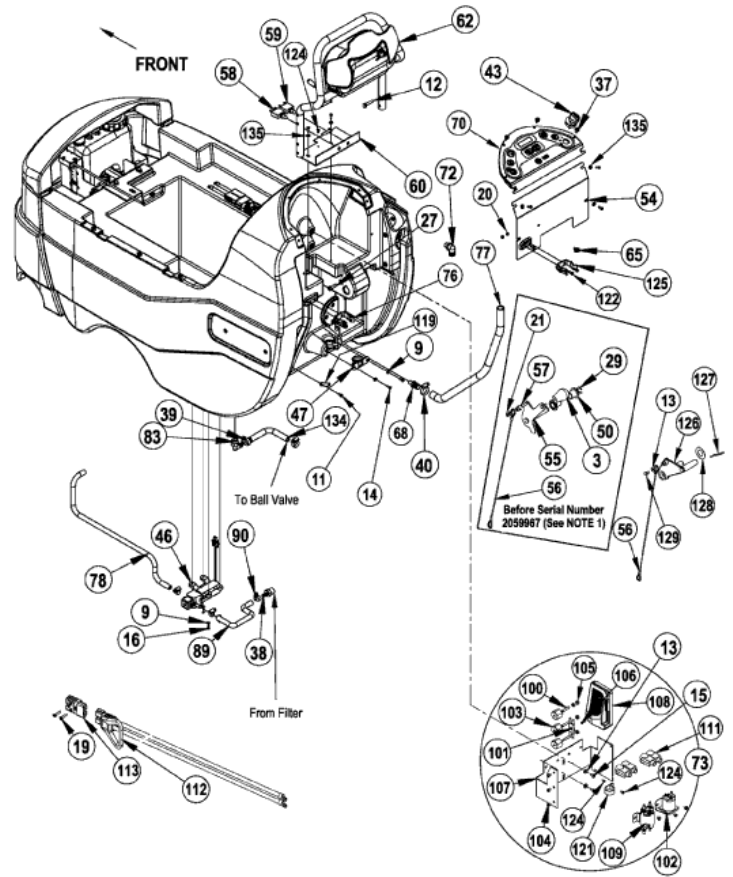
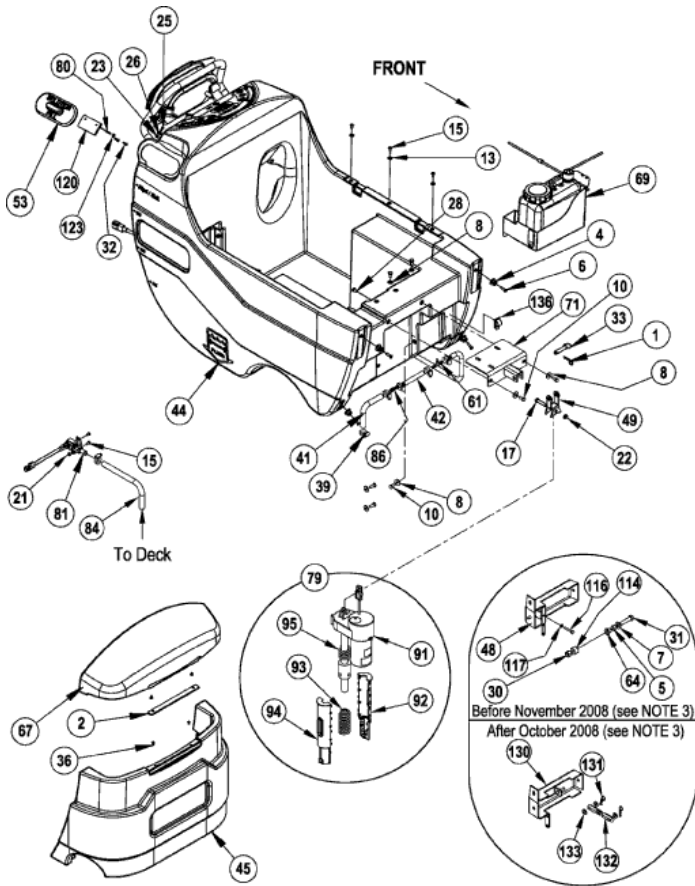
BA 755-855

12-11-2014

Part List ID

E166118

22



Solution - electrical system-1 EDS

BA 755-855

12-11-2014

Part List ID E166118

23

Pos	Part no.	Qty	Description	
1	56002959	1	Pin Cot Hair SS.125x.5dia	
2	56302168	1	HINGE	
3	56364527	1	Knob 1.62 x 5/16-18 Ca331	NOTE 1
4	56365777	4	BRUSH DRIVER LUG CV17B	
5		1	NOTE COMMENT	NOTE 3
6	56001832	4	SCR FLT HD PHIL 1/4-20 X	
7		1	NOTE COMMENT	NOTE 3
8	56009122	7	WASHER, FLT .344X.938X.12	
9	56001954	5	Washer flat Sae 10	
10	56002667	7	Scr Hex Hd 5/16-18 x .75	
11	56002066	8	1/4-20 X 5/8 SCREW	
12	56002094	4	5/16-18 X 1-1/2 BOLT	
13	56002098	6	Washer flat Sae 1/4	
14	56002124	10	Screw 5/8in,0,66,0,,0,0,0	
15	56002145	7	Scr Pan Hd Phil 1/4-20 x	
16	56002146	3	SCR PAN HD PHIL 8-32 X .6	
17	56002684	1	3/8-16 X 1-3/4 BOLT	
19	56002825	2	Screw (s/s) replaced by 56002786	
20	56002832	2	Nut Hex Nyl	NOTE 2
21	56002840	2	Nut Hex Nyl (s/s) replaced by 56002708	NOTE 1
22	56002841	1	3/8-16 THIN NYL LOC NUT	
23	56002849	1	Nut Hex Nyl Loc Thin SS 1	
25	56002896	1	Scr Pan Phil SS 10-24 x 0	
26	56002919	1	WSH FLT STD SS >10	
27	56002962	1	SCR SOC SHD.38X.62X5/16-1	NOTE 1
28	56003003	1	SCR PAN PHIL 5/1	
29	56003266	1	Retaining Ring	NOTE 1
30		1	NOTE COMMENT	NOTE 3
31		1	NOTE COMMENT	NOTE 3
32	56009006	2	Screw	
33	56003679	1	PIN RING .50 X 1.63	
36	56009139	4	Lock Screw	
37	56009206	4	SCR,TRUSS PHIL BLK 10-24X.50	
38	56051207	1	ADPTR,PP-HS--1/2MPTX3/8HS ,PLS	
39	56219932	5	Clamp hose Sae 6 E00047	
40	56244969	1	Clamp hose Sae 12	
41	56262180	1	HOSE SPIRAL .50 x 7" E006	
42	56302015	1	HOSE, PVC 4.0in E00603	
43	56303526	1	KEY, REPLACEMENT SET OF 2	

NOTE 1: As of serial number 2059967 the following items (56002962, 56364527, 56002840, 56003266, 56315193, 56315236 & 56315245) are no longer used in production. If you need to replace any of these items please order the following group of parts (56315730, 56009117, 56003223, 56001854 / items 126 through 129) in a quantity of 1 each.

NOTE 2: As of serial number 2059967 the following items (56002832, 56315222 & 56412285) are no longer used in production. If you need to replace 56315222 or 56412285 please order 56109502.

NOTE 3: As of October 2008 the following items (56370878, 56001879, 56003312, 56003708, 56315736, 56315380,

Solution - electrical system-1 EDS

BA 755-855

12-11-2014

Part List ID
E166118

24

Pos	Part no.	Qty	Description	
43	56303553	1	KEY SWITCH ASSEMBLY	
44	56109560	1	SOLUTION TANK KIT	NOTE 5
44	56315733	1	TANK SOLUTION	TSBUS2006-940
45	56315087	1	NOSECONE	
46	56315108	1	PUMP, 24V	
47	56315121	1	GUIDE CABLE	
48		1	NOTE COMMENT	TSBUS2006-940 / NOTE 3
49	56315191	1	YOKE ACTUATOR	
50	56315193	2	BUSHING FLANGE	NOTE 1
53	56315219	1	SOLUTION FILL COVER	TSBUS2007-967
54	56109502	1	PANEL ELCTRICAL ASSY	NOTE 2
55	56315236	1	WELDMENT SQUEEGEE LIFT	NOTE 1 / TSBUS2008-1021
56	56315243	1	CABLE SQUEEGEE LIFT	
57	56315245	1	BUSHING SQUEEGEE CABLE	NOTE 1
58	56315255	1	CIRCUIT BREAKER	
59	56315256	1	CIRCUIT BREAKER 30AMP	
60	56109553	1	PLATE CIRCUIT BREAKER	NOTE 4
61	56315265	1	TEE BARB	
62	56315266	1	ASSEMBLY PADDLE	TSBUS2007-958
64		1	NOTE COMMENT	Bushing NOTE 3
65	56315382	1	CLIP CONDUIT	
67	56315609	1	COVER CHEMICAL TANK	
68	56315634	1	BARB ADAPTOR 3/4 X 1/2 NPT	
69	56315645	1	CHEMICAL TANK ASSY	
70	56315657	1	CONTROL PANEL ASSY - FM	TSBUS2007-952 / TSBUS2007-958
71	56315744	1	WELDMENT ACTUATOR MOUNT	TSBUS2006-940
72	56315683	1	ELBOW BARB E00037	
73	56315684	1	ASSEMBLY ELECTRICAL BOX	34, 100-111 & 121)
76	56331154	1	CLAMP, PLASTIC	
77	56379139	1	TUBE PVC .750X30 E00521	
78	56391802	1	Hose_E00603	
79	56109595	1	LID ACTUATOR AS	91-95) NOTE 6 / TSBUS2009-1040
80	56410254	1	WIRE ROPE ASSY 6.0	TSBUS2007-967
81	56397215	1	SOLUTION VALVE ASSY.	
83	56409152	1	Barb 90 1/2	
84	56409462	1	Hose, spiral	
86	56418669	1	REDUCER BARB	
89	56249682	1	Tube_E00603	
90	56756364	6	Clamp hose Sae #4_E00047	

NOTE 1: As of serial number 2059967 the follow ing items (56002962, 56364527, 56002840, 56003266, 56315193, 56315236 & 56315245) are no longer used in production. If you need to replace any of these items please order the follow ing group of parts (56315730, 56009117, 56003223, 56001854 / items 126 through 129) in a quantity of 1 each.

NOTE 2: As of serial number 2059967 the follow ing items (56002832, 56315222 & 56412285) are no longer used in production. If you need to replace 56315222 or 56412285 please order 56109502.

NOTE 3: As of October 2008 the follow ing items (56370878, 56001879, 56003312, 56003708, 56315736, 56315380,

Solution - electrical system-1 EDS

BA 755-855

12-11-2014

Part List ID E166118

25

Pos	Part no.	Qty	Description	
91	56009019	2	Screw	
91	56109596	1	NUT PLASTIC	
91	56109597	1	ACTUATOR	
91	56109636	1	SPRING HOUSING KIT	
92	56009062	4	SCR PHIL THD1/4-20X20X.5	
92	56109547	1	SPRING HOUSING	
93	56420018	1	SPRING COMPRESSION 140498	
94	56109546	1	SPRING HOUSING	
95	56412071	1	COMPRESSION SPRING	
100	56009203	3	Stud 1/4- 20x1.31	
101	56412089	1	FUSE 150 AMP	
102	56395455	1	contactor 36v 100 amp	
103	56469858	3	Insulated Standoff	
104	56002462	7	SCR PAN PHIL 1/4-20X0.38 replaced by 56002145	
105	56002561	4	NUT KEPS 1/4-20	
106	56003698	2	SCR PAN PHIL THD FORM 8-32X.75	
107	56315182	1	PANEL ELECTRICAL	
108	56315692	1	CONTROLLER, SPEED	TSBUS2007-958
109	56397250	1	SOLENOID, SPDT 36V	(K1 / Brush Motor)
111	2-00-04203	4	BOOT-TERM	
112	56398000	1	CONNECTOR ASSY DUAL	(to batteries)
113	56315687	1	CONNECTOR ASS 4 AWG	(to electrical box)
114		1	NOTE COMMENT	Bushing NOTE 3
116		1	NOTE COMMENT	Scr, Hex Thd to Hd 1/4-20 x 1.50 NOTE 3
117		1	NOTE COMMENT	Nut, Hex Jam 1/4-20 NOTE 3
119	56249884	1	PLATE FL7F	
120	56315166	1	PLATE	
121	56410166	1	CLAMP P	
122	56001993	2	Screw	
123	56002916	2	Washer flat replaced by 56009205	
124	56009030	3	SCR PAN PHIL THD FOM 10-2	
125	56396199	1	CLAMP PLASTIC	
126	56315730	1	LEVER SQUEEGEE LIFT	NOTE 1 / TSBUS2008-1021
127	56003223	1	PIN,COT HAIR.148 X DIA.62	NOTE 1
128	56009117	1	WSH FLT 1.031X1.859X.048	NOTE 1
129	56001854	1	Scr Hex Hd 1/4-20 x .50	NOTE 1
130	56109524	1	PIVOT WELDMENT	NOTE 3
131	56003120	2	Cotter Hair Pin	NOTE 3
132	56315836	1	TURNBUCKLE ASSEMBLY	NOTE 3

NOTE 1: As of serial number 2059967 the following items (56002962, 56364527, 56002840, 56003266, 56315193, 56315236 & 56315245) are no longer used in production. If you need to replace any of these items please order the following group of parts (56315730, 56009117, 56003223, 56001854 / items 126 through 129) in a quantity of 1 each.

NOTE 2: As of serial number 2059967 the following items (56002832, 56315222 & 56412285) are no longer used in production. If you need to replace 56315222 or 56412285 please order 56109502.

NOTE 3: As of October 2008 the following items (56370878, 56001879, 56003312, 56003708, 56315736, 56315380,

Solution - electrical system-1 EDS

BA 755-855

12-11-2014

Part List ID

E166118

26

Pos	Part no.	Qty	Description	
133	56002063	3	Washer flat Sae 3/8	NOTE 3
134	56262561	1	Hose (E00604) Replaced by 56324249	
135	56002053	6	#10-24 X 1/2 SCREW	
136	7-13-07096	1	CLAMP ADJUSTABLE	

NOTE 1: As of serial number 2059967 the following items (56002962, 56364527, 56002840, 56003266, 56315193, 56315236 & 56315245) are no longer used in production. If you need to replace any of these items please order the following group of parts (56315730, 56009117, 56003223, 56001854 / items 126 through 129) in a quantity of 1 each.

NOTE 2: As of serial number 2059967 the following items (56002832, 56315222 & 56412285) are no longer used in production. If you need to replace 56315222 or 56412285 please order 56109502.

NOTE 3: As of October 2008 the following items (56370878, 56001879, 56003312, 56003708, 56315736, 56315380,

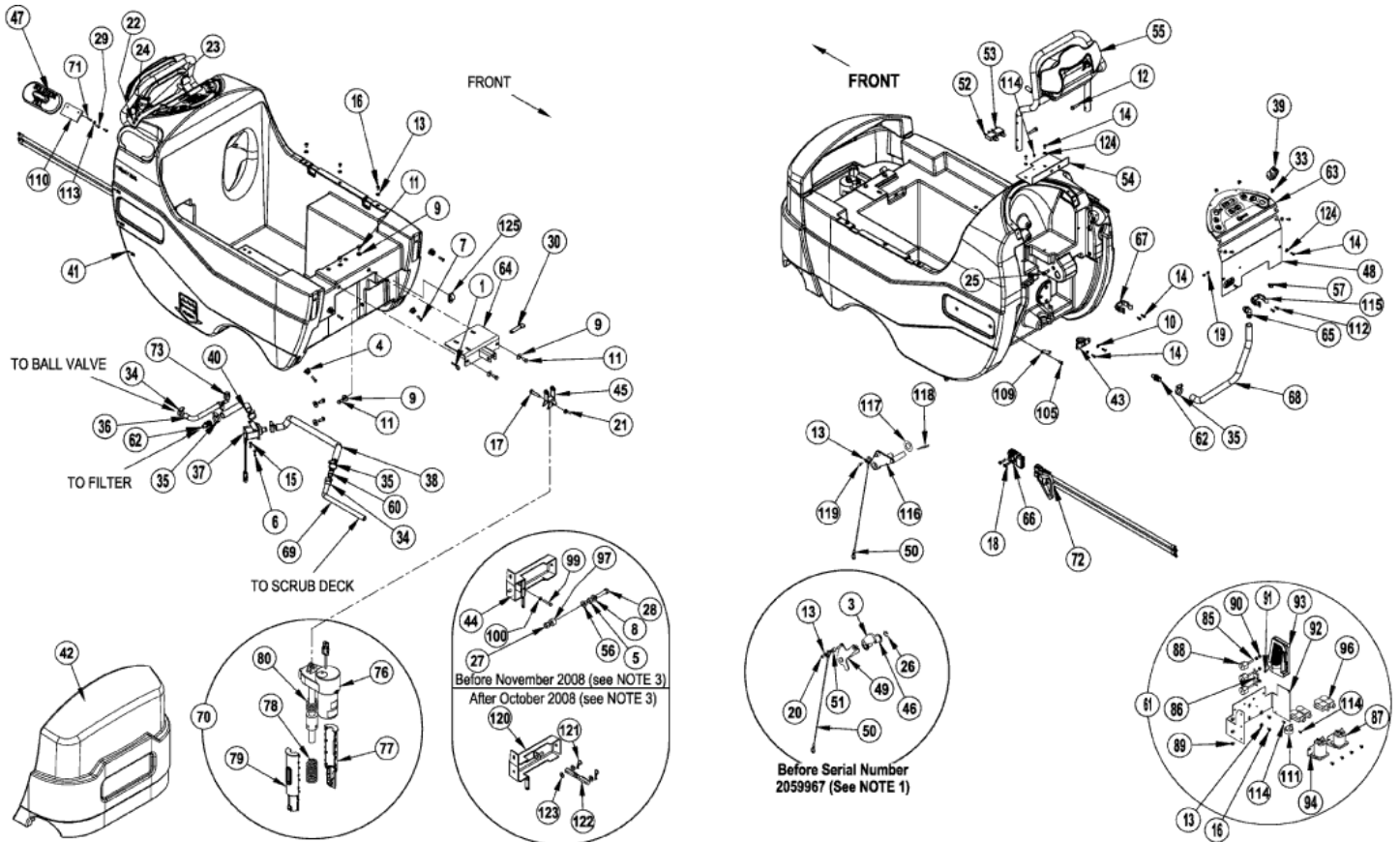
Solution - electrical system-1 STD

12-11-2014

Part List ID
E166122

BA 755-855

27



Solution - electrical system-1 STD

BA 755-855

12-11-2014

Part List ID

E166122

28

Pos	Part no.	Qty	Description
1	56002959	1	Pin Cot Hair SS.125x.5dia
3	56364527	1	Knob 1.62 x 5/16-18 Ca331
4	56365777	4	BRUSH DRIVER LUG CV17B
5	56370878	1	BEARING SLEEVE
6	56001818	2	SCR PAN HD PHIL 8-32 X .3
7	56001832	4	SCR FLT HD PHIL 1/4-20 X
8	56001879	1	Washer flat Sae 1/2
9	56009122	7	WASHER, FLT .344X.938X.12
10	56001954	2	Washer flat Sae 10
11	56002667	7	Scr Hex Hd 5/16-18 x .75
12	56002094	4	5/16-18 X 1-1/2 BOLT
13	56002098	6	Washer flat Sae 1/4
14	56002124	10	Screw 5/8in,0,66,0,,0,0,0
15	56002140	2	WASHER FLAT SAE 8 ZINC PLAT
16	56002145	5	Scr Pan Hd Phil 1/4-20 x
17	56002684	1	3/8-16 X 1-3/4 BOLT
18	56002825	2	Screw (s/s) replaced by 56002786
19	56002832	2	Nut Hex Nyl
20	56002840	1	Nut Hex Nyl (s/s) replaced by 56002708
21	56002841	1	3/8-16 THIN NYL LOC NUT
22	56002849	1	Nut Hex Nyl Loc Thin SS 1
23	56002896	1	Scr Pan Phil SS 10-24 x 0
24	56002919	1	WSH FLT STD SS >10
25	56002962	1	SCR SOC SHD.38X.62X5/16-1
26	56003266	1	Retaining Ring
27	56003312	1	NUT HEX NYL LOC M12-1.75
28	56003708	1	SCREW
29	56009006	2	Screw
30	56003679	1	PIN RING .50 X 1.63
33	56009206	4	SCR,TRUSS PHIL BLK 10-24X.50
34	56219932	3	Clamp hose Sae 6 E00047
35	56244969	5	Clamp hose Sae 12
36	56262561	1	Hose (E00604) Replaced by 56324249
37	56303275	1	SOLENOID VALVE ASSEMBLY
38	56303394	1	HOSE SPIRAL 750 X 25
39	56303526	1	KEY, REPLACEMENT SET OF 2
39	56303553	1	KEY SWITCH ASSEMBLY
40	56305318	1	HOSE 10.5 SPITAL E00605
41	56109560	1	SOLUTION TANK KIT

NOTE 1: As of serial number 2059967 the following items (56002962, 56364527, 56002840, 56003266, 56315193, 56315236 & 56315245) are no longer used in production. If you need to replace any of these items please order the following group of parts (56315730, 56009117, 56003223, 56001854 / items 116 through 119) in a quantity of 1 each.

NOTE 2: As of serial number 2059967 the following items (56002832, 56315222 & 56412285) are no longer used in production. If you need to replace 56315222 or 56412285 please order 56109502.

NOTE 3: As of October 2008 the following items (56370878, 56001879, 56003312, 56003708, 56315736, 56315380,

Solution - electrical system-1 STD

BA 755-855

12-11-2014

Part List ID

E166122

29

Pos	Part no.	Qty	Description
41	56315733	1	TANK SOLUTION
42	56315949	1	NOSE CONE ONE PIECE
43	56315121	1	GUIDE CABLE
44	56315736	1	PIVOT WELDT
45	56315191	1	YOKE ACTUATOR
46	56315193	2	BUSHING FLANGE
47	56315219	1	SOLUTION FILL COVER
48	56109502	1	PANEL ELECTRICAL ASSY
49	56315236	1	WELDMENT SQUEEGEE LIFT
50	56315243	1	CABLE SQUEEGEE LIFT
51	56315245	1	BUSHING SQUEEGEE CABLE
52	56315255	1	CIRCUIT BREAKER
53	56315256	1	CIRCUIT BREAKER 30AMP
54	56109553	1	PLATE CIRCUIT BREAKER
55	56315266	1	ASSEMBLY PADDLE
56	56315380	1	BUSHING
57	56315382	1	CLIP CONDUIT
60	56315625	1	BARB COUPLER 3/4 X 1/2
61	56315628	1	ASSEMBLY ELECTRICAL BOX
62	56315634	2	BARB ADAPTOR 3/4 X 1/2 NPT
63	56316213	1	CONTROL PANEL ASSY KIT
64	56315744	1	WELDMENT ACTUATOR MOUNT
65	56315683	1	ELBOW BARB E00037
66	56315687	1	CONNECTOR ASS 4 AWG
67	56331154	1	CLAMP, PLASTIC
68	56379139	1	TUBE PVC .750X30 E00521
69	56387302	1	TUBE PVC .500X11.00_E0060
70	56109595	1	LID ACTUATOR AS
71	56410254	1	WIRE ROPE ASSY 6.0
72	56398000	1	CONNECTOR ASSY DUAL
73	56409152	1	Barb 90 1/2
76	56109596	1	NUT PLASTIC
76	56109597	1	ACTUATOR
76	56109636	1	SPRING HOUSING KIT
77	56109547	1	SPRING HOUSING
78	56420018	1	SPRING COMPRESSION 140498
79	56109546	1	SPRING HOUSING
80	56412071	1	COMPRESSION SPRING
85	56009203	3	Stud 1/4- 20x1.31

NOTE 1: As of serial number 2059967 the following items (56002962, 56364527, 56002840, 56003266, 56315193, 56315236 & 56315245) are no longer used in production. If you need to replace any of these items please order the following group of parts (56315730, 56009117, 56003223, 56001854 / items 116 through 119) in a quantity of 1 each.

NOTE 2: As of serial number 2059967 the following items (56002832, 56315222 & 56412285) are no longer used in production. If you need to replace 56315222 or 56412285 please order 56109502.

NOTE 3: As of October 2008 the following items (56370878, 56001879, 56003312, 56003708, 56315736, 56315380,

Solution - electrical system-1 STD

BA 755-855

12-11-2014

Part List ID

E166122

30

Pos	Part no.	Qty	Description
86	56412089	1	FUSE 150 AMP
87	56395455	1	contactor 36v 100 amp
88	56469858	3	Insulated Standoff
89	56002462	7	SCR PAN PHIL 1/4-20X0.38 replaced by 56002145
90	56002561	4	NUT KEPS 1/4-20
91	56003698	2	SCR PAN PHIL THD FORM 8-32X.75
92	56315182	1	PANEL ELECTRICAL
93	56315692	1	CONTROLLER, SPEED
94	56395453	1	CONTACTOR 36V 200 AMP
96	2-00-04203	4	BOOT-TERM
97	56315479	1	BUSHING
99	56003709	1	SCR HEX THD TO HD 1/4-20 X 1.5
100	56009087	1	Nut
105	56002066	1	1/4-20 X 5/8 SCREW
109	56249884	1	PLATE FL7F
110	56315166	1	PLATE
111	56410166	1	CLAMP P
112	56001993	2	Screw
113	56002916	2	Washer flat replaced by 56009205
114	56009030	3	SCR PAN PHIL THD FOM 10-2
115	56396199	1	CLAMP PLASTIC
116	56315730	1	LEVER SQUEEGEE LIFT
117	56009117	1	WSH FLT 1.031X1.859X.048
118	56003223	1	PIN,COT HAIR.148 X DIA.62
119	56001854	1	Scr Hex Hd 1/4-20 x .50
120	56109524	1	PIVOT WELDMENT
121	56003120	2	Cotter Hair Pin
122	56315836	1	TURNBUCKLE ASSEMBLY
123	56002063	3	Washer flat Sae 3/8
124	56002053	6	#10-24 X 1/2 SCREW
125	7-13-07096	1	CLAMP ADJUSTABLE

NOTE 1: As of serial number 2059967 the following items (56002962, 56364527, 56002840, 56003266, 56315193, 56315236 & 56315245) are no longer used in production. If you need to replace any of these items please order the following group of parts (56315730, 56009117, 56003223, 56001854 / items 116 through 119) in a quantity of 1 each.

NOTE 2: As of serial number 2059967 the following items (56002832, 56315222 & 56412285) are no longer used in production. If you need to replace 56315222 or 56412285 please order 56109502.

NOTE 3: As of October 2008 the following items (56370878, 56001879, 56003312, 56003708, 56315736, 56315380,

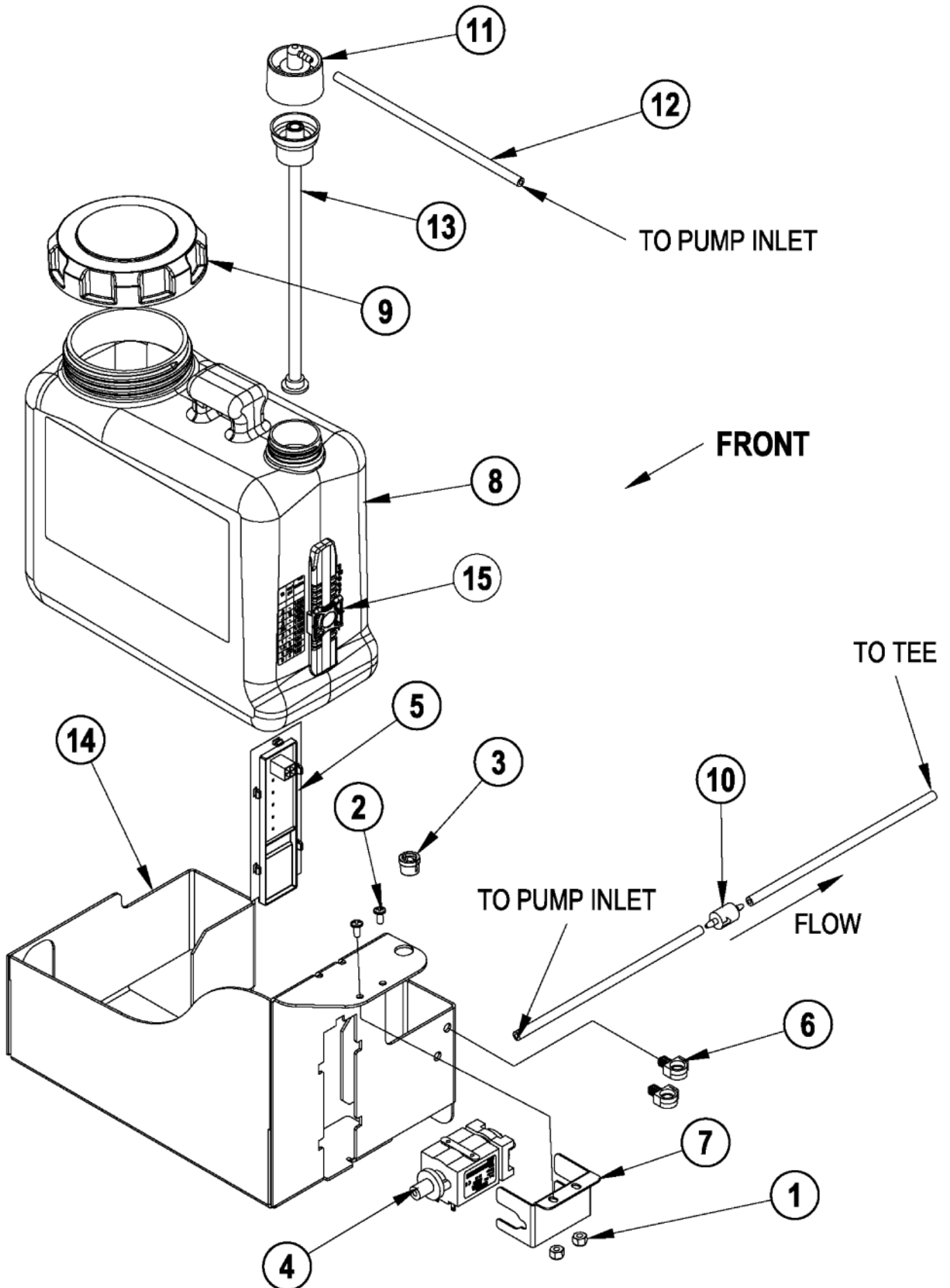
Chemical assembly EDS

BA 755-855

12-11-2014

Part List ID
E166127

31



Chemical assembly EDS

BA 755-855

12-11-2014

Part List ID

E166127

32

Pos	Part no.	Qty	Description
	56315645	1	CHEMICAL TANK ASSY
1	56002877	2	Nut Hex NyI Loc SS 8-32
2	56003018	2	SCR PAN PHIL SS 8-32 X 0.
3	56003699	1	BUSHING 1/4 ID SNUB
4	56315241	1	PUMP CHEMICAL
5	56315340	1	CHEMICAL SENSOR ASSEMBLY
6	56315382	2	CLIP CONDUIT
7	56315476	1	BRACKET CHEMICAL PUMP
8	56315502	1	CHEMICAL BOTTLE ASSEMBLY 4.5L
8	56315503	1	CHEMICAL BOTTLE ASSEMBLY 4.5L
			OPTIONAL - NOT INCLUDED - POS. 8, 9, 13
9	56315517	1	CAP
10	56315522	1	CHECK VALVE 1/8 BARB 125PS
11	56315523	1	CAP, DRY BREAK, 1/8 BARB
12	56315524	3	HOSE CHEMICAL
13	56315527	1	INSERT BREAK
14	56315644	1	BRACKET TANK MOUNTING
15	56315511	1	INDICATOR ASSEMBLY

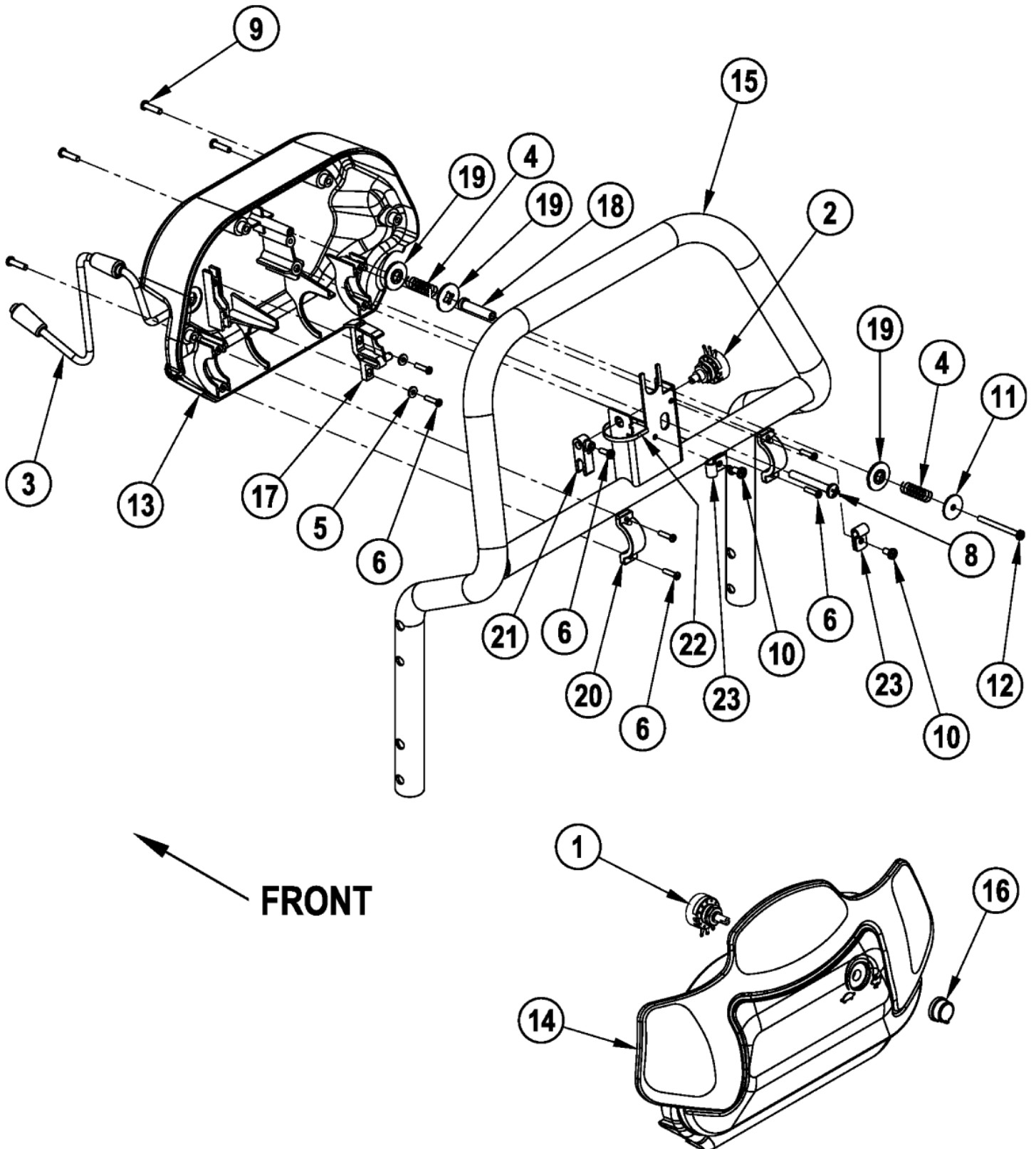
Paddle assembly

BA 755-855

12-11-2014

Part List ID
E166129

33



Paddle assembly

BA 755-855

12-11-2014

Part List ID
E166129

34

Pos	Part no.	Qty	Description	
	56315266	1	ASSEMBLY PADDLE	TSBUS2006-925 / TSBUS2006-950 / TSBUS2007-958
1	56396197	1	POTENTIOMETER, 100 K	(R2)
2	56397029	1	POTENTIOMETER 5K	(R1)
3	56315231	1	PADDLE HARNESS	
4	56325654	2	SPRING USE 08812343	
5	56002006	2	Washer flat Sae 6	
6	56003197	7	SCR PAN PHIL PLASTITE 6 - 18X.62	
8	56003527	1	SCREW	
9	56003545	4	SCR PAN PHIL PLASTITIES 10X7.5	
10	56009030	2	SCR PAN PHIL THD FOM 10-2	
11	56009096	1	Washer flat .193x.875x.06	
12	56009287	1	SCREW	
13	56109716	1	PADDLE BACK COVER	
14	56315230	1	PADDLE, FRONT COVER	
15	56112767	1	WELDMENT-HANDLE BAR	
16	56315280	1	KNOB	
17	56397015	1	CAM CONTROLLER	
18	56397109	1	SLEEVE	
19	56397170	3	PLASTIC WASHER	
20	56397171	2	CLAMP	
21	56109648	1	POTENTIOMETER FORK	
22	56478246	1	Cable Tie E00549 Re438B	
23	56481890	2	Clamp Cable	

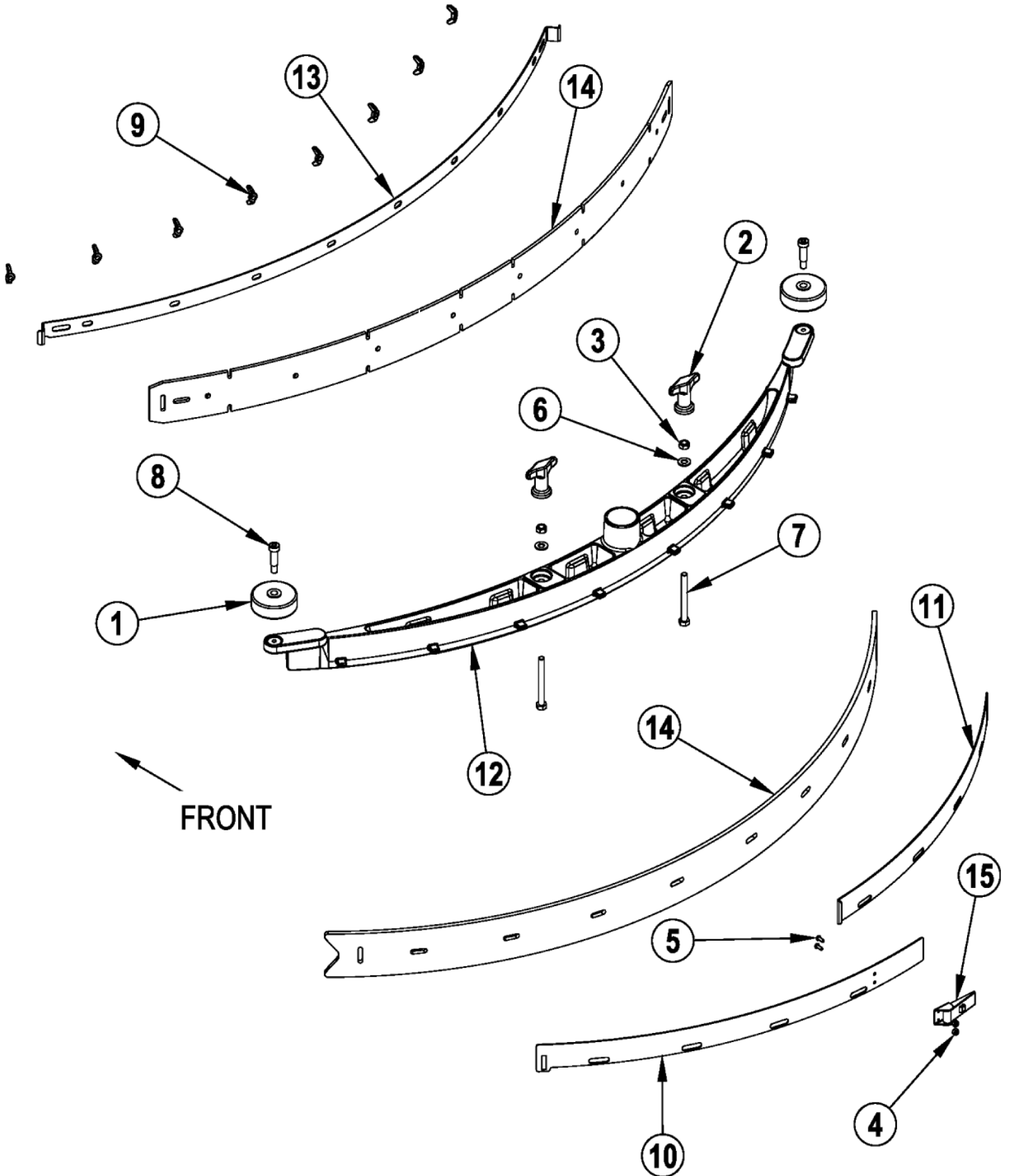
Squeegee assembly 1

BA 755-855

12-11-2014

Part List ID
E166130

35



Squeegee assembly 1

BA 755-855

12-11-2014

Part List ID
E166130

36

Pos	Part no.	Qty	Description	
	56315290	1	SQUEEGEE ASSEMBLY 32	(NARROW ISLE OPTION) NOTE 2
	56315291	1	SQUEEGEE ASSEMBLY	(NARROW ISLE OPTION) NOTE 2
	56315632	1	SQUEEGEE ASSEMBLY D	(STD ON ALL MODELS) NOTE 2
1	56324350	2	Wheel Ba500/600	
2	56370711	2	Nut Thumb 5/16-18 Cv211F	
3	56002851	2	Nut Hex Nyl Loc Thin SS5/ use 56002856	
4	56002907	2	Nut Hex Nyl Loc SS 6-32	
5	56002909	2	Scr Pan Phil SS 6-32 x 0.	
6	56002938	2	5/16 SS FLAT WASHER	
7	56003736	2	SCR HEX THD SS 5/16 -18X3 .00	
8	56003472	2	SCR SOC SHD	
9	56009111	8	1/4-20 SS WING NUT	
10	56109660	1	STRAP LEFT REAR BLADE (REPLACES 56314026)	(USED ON 56315291) NOTE 2, TSBUS2009-1037
10	56109664	1	STRAP LEFT REAR C	(USED ON 56315290) NOTE 2, TSBUS2009-1037
10	56109667	1	STRAP LEFT REAR D	(USED ON 56315632) NOTE 2, TSBUS2009-1037
11	56109661	1	STRAP RIGHT REAR BLADE (REPLACES 56314027)	(USED ON 56315291) NOTE 2, TSBUS2009-1037
11	56109665	1	STRAP RIGHT REAR C	(USED ON 56315290) NOTE 2, TSBUS2009-1037
11	56109668	1	STRAP RIGHT REAR D	(USED ON 56315632) NOTE 2, TSBUS2009-1037
12	56314271	1	SQUEEGEE TOOL CASTING, "B	(USED ON 56315291)
12	56314325	1	SQUEEGEE TOOL CASTING, 32	(USED ON 56315290)
12	56314694	1	SQUEEGEE TOOL CASTING "D"	(USED ON 56315632)
13	56314028	1	STRAP, FRONT 28"	(USED ON 56315291) NOTE 2
13	56314322	1	STRAP, FRONT 32"	(USED ON 56315290) NOTE 2
13	56314696	1	STRAP, FRONT "D"	(USED ON 56315632) NOTE 2
14	56315347	1	BLADE KIT-SQUEEGEE GUM B	(USED ON 56315291) NOTE 1
14	56315348	1	BLADE KIT-SQUEEGEE GUM C	(USED ON 56315290) NOTE 1
14	56315674	1	BLADE KIT-SQUEEGEE GUM D	(USED ON 56315632) NOTE 1
15	56471194	1	Latch Assy Re32	

NOTE 1: All squeegee blade kits include both front and rear squeegee blades.

NOTE 2: To replace all squeegee straps as a set.

order one of the three following Strap Kits:

56109669-Strap Kit-D (for Squeegee Assy 56315632 or 56314697)

56109666-Strap Kit-C (for Squeegee Assy 56315290)

Squeegee assembly 2

BA 755-855

12-11-2014

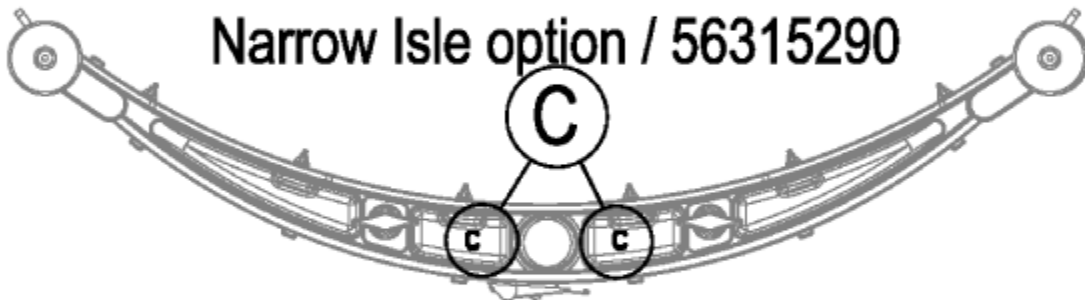
Part List ID
E166131

37

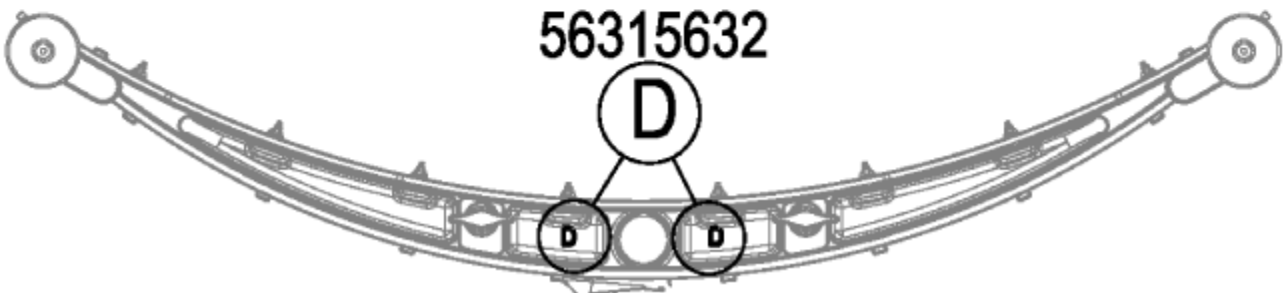
Narrow Isle option / 56315291



Narrow Isle option / 56315290



56315632



Squeegee assembly 2

BA 755-855

12-11-2014

Part List ID
E166131

38

Pos	Part no.	Qty	Description	
B	56315347	1	BLADE KIT-SQUEEGEE GUM B	NOTE 1
B	56315351	1	BLADE KIT-SQGEE RED GUM B	NOTE 1
B	56315854	1	BLADE KIT-SQUEEGEE PU B	NOTE 1
C	56315348	1	BLADE KIT-SQUEEGEE GUM C	NOTE 1
C	56315352	1	BLADE KIT-SQGEE RED GUM C	NOTE 1
C	56315855	1	BLADE KIT-SQUEEGEE PU C	NOTE 1
D	56314865	1	SQUEEGEE BLADE KIT 35" REAR LINATEX	NOTE 1
D	56315674	1	BLADE KIT-SQUEEGEE GUM D	NOTE 1
D	56315856	1	BLADE KIT-SQUEEGEE PU D	NOTE 1

NOTE 1: All squeegee blade kits include both front and rear squeegee blades.

Wiring diagram - before September 2009

BA 755-855

12-11-2014

Part List ID
E166133

40

Pos	Part no.	Qty	Description	
0	56109673	1	HARNESS MAIN	TSBUS2006-926 / TSBUS2007-955
0	56314119	2	SPACER BATTERY	
0	56315204	1	CHARGER, ON-BOARD 36V	Optional - NOTE 1
0	56315340	1	CHEMICAL SENSOR ASSEMBLY	EDS Models only
0	56315747	1	THERMISTOR REPAIR KIT	Repair kit for 56315204
0	56315750	1	HARNESS WARRIOR	TSBUS2007-955
0	56372673	12	Boot battery post	TSBUS2006-926 / TSBUS2007-955
0	56416445	3	CABLE ASSEMBLY 4AWG	Battery Cables
0	56456460	2	CABLE ASSY>4X12.0_E00192*	Battery Cables
0	56478246	9	Cable Tie E00549 Re438B	
0	56478523	4	CABLE TIE____E00549	
A1	56315657	1	CONTROL PANEL ASSY - FM	TSBUS2007-952 / TSBUS2007-958
A1	56316213	1	CONTROL PANEL ASSY KIT	TSBUS2006-938 / TSBUS2006-950
A2	56315692	1	CONTROLLER, SPEED	TSBUS2006-950 / TSBUS2007-958
F1	56412089	1	FUSE 150 AMP	
F2	56315255	1	CIRCUIT BREAKER	
F3	56315256	1	CIRCUIT BREAKER 30AMP	
K1	56395453	1	CONTACTOR 36V 200 AMP	STD Models, TSBUS2008-1020
K1	56397250	1	SOLENOID, SPDT 36V	EDS Models
K2	56395455	1	contactor 36v 100 amp	All Models
L1	56397215	1	SOLUTION VALVE ASSY.	
L2	56397215	1	SOLUTION VALVE ASSY.	Optional
M1	56315676	1	MOTOR BA755/BA855	Not shown
M1	56315677	4	BRUSH ASSY 4 REQUIRED	Not shown
M1	56315678	2	NEOPRENE MOUNTING SLEEVE	Not shown
M1	56382500	1	TRANSAXLE 36V	
M2	56315611	1	MOTOR 36VDC .75HP 1800RPM	Cylindrical
M2	56380003	1	MOTOR BRUSH/SPRING KIT	Not shown - NOTE 2
M2	56397138	4	BRUSH SPRING	Not shown - NOTE 2
M2	56397139	4	BRUSH ASSEMBLY	Not shown - NOTE 2
M2	56397316	1	MOTOR/GEAR UNIT ASSEMBLY	Disk - TSBUS2010-1059
M2	56412287	1	BRUSH / SPRING KIT (1 PER MOTOR)	Not shown - NOTE 3
M3	56315611	1	MOTOR 36VDC .75HP 1800RPM	Cylindrical
M3	56380003	1	MOTOR BRUSH/SPRING KIT	NOTE 3
M3	56397138	4	BRUSH SPRING	Not shown - NOTE 2
M3	56397139	4	BRUSH ASSEMBLY	Not shown - NOTE 2
M3	56397316	1	MOTOR/GEAR UNIT ASSEMBLY	Disk - TSBUS2010-1059
M3	56412287	1	BRUSH / SPRING KIT (1 PER MOTOR)	Not shown - NOTE 3
M4	56377001	1	CARBON BRUSH (SET OF 2)	Not shown

NOTE 1: Starting with Charger serial # CP360614027995 the charger softw are can be programmed w ith a computer and the QuiQ Programmer kit 56315732.

NOTE 2: If your Motor / Gear Unit Assembly has a serial tag from Imperial Electric order (4) Carbon Brushes 56397139 or (4) Brush Springs 56397138.

If your Motor / Gear Unit Assembly has a serial tag from Nilfi sk-Advance order Carbon Brush Set 56380634 or Brush Spring Set 56380635.

NOTE 3: If your cylindrical scrub motor has a serial tag from Scott Motors Co. order Brush / Spring Kit

Wiring diagram - before September 2009

BA 755-855

12-11-2014

Part List ID

E166133

41

Pos	Part no.	Qty	Description	
M4	56391208	1	Vac Motor Assy	
M5	56109596	1	NUT PLASTIC	Not shown
M5	56109597	1	ACTUATOR	TSBUS2009-1040
M8	56315108	1	PUMP, 24V	
M9	56315107	1	PUMP 36 VDC	Optional
R1	56397029	1	POTENTIOMETER 5K	
R2	56396197	1	POTENTIOMETER, 100 K	
S3	56303526	1	KEY, REPLACEMENT SET OF 2	Not shown
S3	56303553	1	KEY SWITCH ASSEMBLY	
S4	56315096	1	SWITCH, FLOAT	
S5	56315096	1	SWITCH, FLOAT	Optional - Recycle Start
S6	56315096	1	SWITCH, FLOAT	Optional - Recycle Stop
BT1		1	NOTE COMMENT	Battery
M10	56315241	1	PUMP CHEMICAL	Optional
M11	56315383	1	MOTOR AND GEAR UNIT 24V	Optional
M12	56315383	1	MOTOR AND GEAR UNIT 24V	Optional

NOTE 1: Starting with Charger serial # CP360614027995 the charger software can be programmed with a computer and the QuiQ Programmer kit 56315732.

NOTE 2: If your Motor / Gear Unit Assembly has a serial tag from Imperial Electric order (4) Carbon Brushes 56397139 or (4) Brush Springs 56397138.

If your Motor / Gear Unit Assembly has a serial tag from Nilfisk-Advance order Carbon Brush Set 56380634 or Brush Spring Set 56380635.

NOTE 3: If your cylindrical scrub motor has a serial tag from Scott Motors Co. order Brush / Spring Kit

Wiring diagram - after September 2009

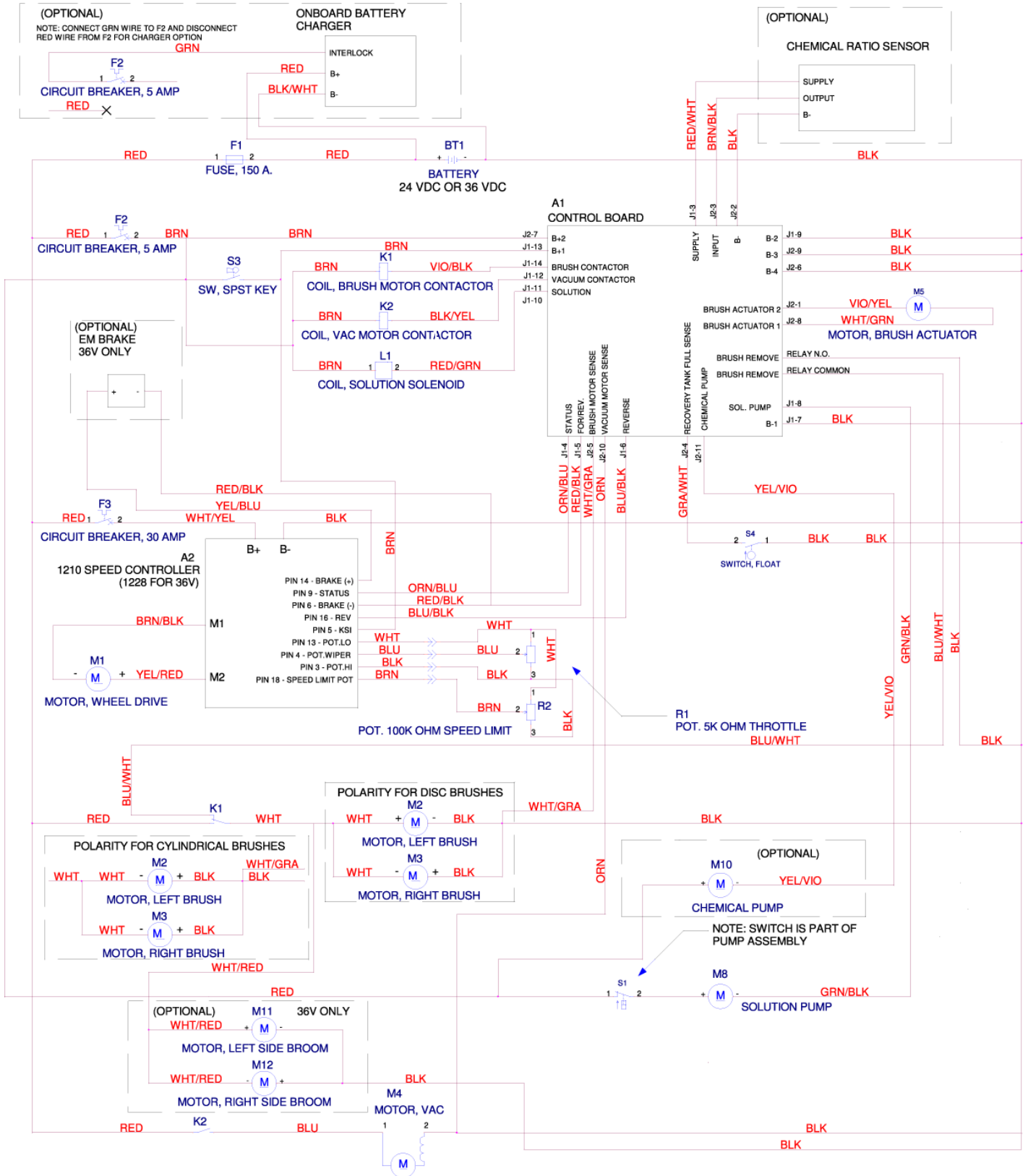
BA 755-855

12-11-2014

Part List ID

E166135

42



REFERENCE: WIRING DIAGRAM 56109685 FOR 24V
 WIRING DIAGRAM 56109686 FOR 36V

Wiring diagram - after September 2009

BA 755-855

12-11-2014

Part List ID
E166135

43

Pos	Part no.	Qty	Description	
0	56109673	1	HARNESS MAIN	TSBUS2006-926 / TSBUS2007-955, NOT SHOWN
0	56314119	2	SPACER BATTERY	NOT SHOWN
0	56315204	1	CHARGER, ON-BOARD 36V	OPTIONAL, NOTE 1, NOTE 4
0	56315340	1	CHEMICAL SENSOR ASSEMBLY	EDS0 MODELS ONLY, NOT SHOWN
0	56315747	1	THERMISTOR REPAIR KIT	FOR 56315204 NOT SHOWN
0	56315750	1	HARNESS WARRIOR	NOT SHOWN
0	56372673	12	Boot battery post	NOT SHOWN
0	56416445	3	CABLE ASSEMBLY 4AWG	NOT SHOWN
0	56456460	2	CABLE ASSY>4X12.0_E00192*	NOT SHOWN
0	56478246	9	Cable Tie E00549 Re438B	NOT SHOWN
0	56478523	4	CABLE TIE____E00549	NOT SHOWN
A1	56315657	1	CONTROL PANEL ASSY - FM	TSBUS2007-952 / TSBUS2007-958
A1	56316213	1	CONTROL PANEL ASSY KIT	TSBUS2006-938 / TSBUS2006-950
A2	56315692	1	CONTROLLER, SPEED	TSBUS2006-950 / TSBUS2007-958
F1	56412089	1	FUSE 150 AMP	
F2	56315255	1	CIRCUIT BREAKER	
F3	56315256	1	CIRCUIT BREAKER 30AMP	
K1	56395453	1	CONTACTOR 36V 200 AMP	STD MODELS, TSBUS2008-1020
K1	56397250	1	SOLENOID, SPDT 36V	EDS MODELS
K2	56395455	1	contactor 36v 100 amp	ALL MODELS
L1	56397215	1	SOLUTION VALVE ASSY.	
L2		1	SOLUTION VALVE ASSY.	OPTIONAL
M1	56315676	1	MOTOR BA755/BA855	NOT SHOWN
M1	56315677	4	BRUSH ASSY 4 REQUIRED	NOT SHOWN
M1	56315678	2	NEOPRENE MOUNTING SLEEVE	NOT SHOWN
M1	56382500	1	TRANSAXLE 36V	
M2	56315611	1	MOTOR 36VDC .75HP 1800RPM	CYLINDRICAL
M2	56380003	1	MOTOR BRUSH/SPRING KIT	NOT SHOWN - NOTE 3
M2	56397138	4	BRUSH SPRING	NOT SHOWN - NOTE 2
M2	56397139	4	BRUSH ASSEMBLY	NOT SHOWN - NOTE 2
M2	56397316	1	MOTOR/GEAR UNIT ASSEMBLY	DISK - TSBUS2010-1059
M2	56412287	1	BRUSH / SPRING KIT (1 PER MOTOR)	NOT SHOWN - NOTE 3
M3	56315611	1	MOTOR 36VDC .75HP 1800RPM	CYLINDRICAL
M3	56380003	1	MOTOR BRUSH/SPRING KIT	NOT SHOWN - NOTE 3
M3	56397138	4	BRUSH SPRING	NOT SHOWN - NOTE 2
M3	56397139	4	BRUSH ASSEMBLY	NOT SHOWN - NOTE 2
M3	56397316	1	MOTOR/GEAR UNIT ASSEMBLY	DISK - TSBUS2010-1059
M3	56412287	1	BRUSH / SPRING KIT (1 PER MOTOR)	NOT SHOWN - NOTE 3
M4	56377001	1	CARBON BRUSH (SET OF 2)	NOT SHOWN

NOTE 1: Starting with Charger serial # CP360614027995 the charger software can be programmed with a computer and the QuiQ Programmer kit 56315732.

NOTE 2: If your Motor / Gear Unit Assembly has a serial tag from Imperial Electric order (4) Carbon Brushes 56397139 or (4) Brush Springs 56397138.

If your Motor / Gear Unit Assembly has a serial tag from Nilfisk-Advance order Carbon Brush Set 56380634 or Brush Spring Set 56380635.

NOTE 3: If your cylindrical scrub motor has a serial tag from Scott Motors Co. order Brush / Spring Kit

Wiring diagram - after September 2009

BA 755-855

12-11-2014

Part List ID

E166135

44

Pos	Part no.	Qty	Description	
M4	56391208	1	Vac Motor Assy	
M5	56109596	1	NUT PLASTIC	NOT SHOWN
M5	56109597	1	ACTUATOR	TSBUS2009-1040
M8	56315108	1	PUMP, 24V	
R1	56397029	1	POTENTIOMETER 5K	
R2	56396197	1	POTENTIOMETER, 100 K	
S1		1	NOTE COMMENT	PART OF M7, NOT AVAILABLE
S2		1	NOTE COMMENT	PART OF M8, NOT AVAILABLE
S3	56303526	1	KEY, REPLACEMENT SET OF 2	NOT SHOWN
S3	56303553	1	KEY SWITCH ASSEMBLY	
S4	56315096	1	SWITCH, FLOAT	
S5		1	SWITCH, FLOAT	OPTIONAL / RECYCLE START
S6		1	SWITCH, FLOAT	OPTIONAL / RECYCLE STOP
BT1		1	NOTE COMMENT	BATTERY, NOT AVAILABLE
M10	56315241	1	PUMP CHEMICAL	OPTIONAL
M11	56315383	1	MOTOR AND GEAR UNIT 24V	OPTIONAL
M12	56315383	1	MOTOR AND GEAR UNIT 24V	OPTIONAL

NOTE 1: Starting with Charger serial # CP360614027995 the charger software can be programmed with a computer and the QuiQ Programmer kit 56315732.

NOTE 2: If your Motor / Gear Unit Assembly has a serial tag from Imperial Electric order (4) Carbon Brushes 56397139 or (4) Brush Springs 56397138.

If your Motor / Gear Unit Assembly has a serial tag from Nilfisk-Advance order Carbon Brush Set 56380634 or Brush Spring Set 56380635.

NOTE 3: If your cylindrical scrub motor has a serial tag from Scott Motors Co. order Brush / Spring Kit

Optional kit and accessories

BA 755-855

12-11-2014

Part List ID

E166136

45

No Drawing For Part List

Optional kit and accessories

BA 755-855

12-11-2014

Part List ID
E166136

46

Pos	Part no.	Qty	Description	
1	56315312	1	SCRUB/VAC WAND & HOS, KIT	
2	56315732	1	QUIQ PROGRAMMER KIT	NOTE 2 / TSBUS2007-979
4	56315597	1	KIT SOUND REDUCTION	
5	909 6219 000	2	WHEEL, PU HIGH TRACTION	
B	56109662	1	STRAP	
B	56315347	1	BLADE KIT-SQUEEGEE GUM B	NOTE 1
B	56315351	1	BLADE KIT-SQGEE RED GUM B	NOTE 1
B	56315854	1	BLADE KIT-SQUEEGEE PU B	NOTE 1
C	56109666	1	STRAP KIT C	
C	56315348	1	BLADE KIT-SQUEEGEE GUM C	NOTE 1
C	56315352	1	BLADE KIT-SQGEE RED GUM C	NOTE 1
C	56315855	1	BLADE KIT-SQUEEGEE PU C	NOTE 1
D	56109669	1	STRAP KIT D	
D	56314865	1	SQUEEGEE BLADE KIT 35" REAR LINATEX	NOTE 1
D	56315674	1	BLADE KIT-SQUEEGEE GUM D	NOTE 1
D	56315856	1	BLADE KIT-SQUEEGEE PU D	NOTE 1
10	56315658	1	KIT BATTERY CHARGER EUR	NOTE 2 / TSBUS2007-979 / TSBUS2008-984
11	56315665	1	BATTERY CHARGER KIT UK	NOTE 2 / TSBUS2007-979 / TSBUS2008-984
20	56315316	1	TOTE BAG	
21	56383571	1	PROGRAMMER-USER	
22	56409823	1	PROGRAMMER CABLE	
23	56044374	1	LITERATURE PACK	
32	80561500	1	BATT.36V-210AH WET TRAY WITH AQUA. CH17	
33	80565000	6	BATT SINGLE CELL 6V SEMI TR WET 255AH CH9 CH17	
34	80564100	6	BATTERY 6V 240AH GEL MONOBLOC CH16 CH17	
42	80543621	1	CHGR HF 36V20ASB175G CH19 ADD 909 5676 000 UK CABLE	/ITH 80561500 (Replaces 80569100)
45	80543621	1	CHGR HF 36V20ASB175G CH19 ADD 909 5676 000 UK CABLE	/ITH 80561500 (Replaces 80569000)
50	56505800	2	BRUSH PADHOLDER 14in	
51	56505195	2	PAD RETAINER DEVICE SNAP LOCK	
52	56505805	2	BRUSH PROLITE 14in	
53	56505804	2	BRUSH PROLENE 14in	
54	56505806	2	BRUSH UNION MIX 14in	
55	56505803	2	BRUSH AGLITE 14in	
56	56505807	2	BRUSH MIDGRIT 240 14in	
57	56505808	2	BRUSH MIDLITE 180 14in	
58	56505802	2	BRUSH DYNA GRIT 14in	
59	56505801	2	BRUSH MAGNAGRIT 14in	
60	56505830	2	PAD HOLDER - 16 3 LUG	
61	56505195	2	PAD RETAINER DEVICE SNAP LOCK	
62	56505835	2	BRUSH PROLITE 16in	
63	56505834	2	BRUSH PROLENE 16in	
64	56505836	2	BRUSH UNION MIX 16in	

NOTE 1: All squeegee blade kits include both front and rear squeegee blades.

NOTE 2: Starting with Charger serial # CP360614027995 the charger software can be programmed with a

Optional kit and accessories

BA 755-855

12-11-2014

Part List ID
E166136

47

Pos	Part no.	Qty	Description
65	56505833	2	BRUSH AGLITE 16in
66	56505837	2	BRUSH MIDGRIT 240 16in
67	56505838	2	BRUSH MIDLITE 180 16in
68	56505832	2	BRUSH DYNAGRIT 16in
69	56505831	2	BRUSH MAGNAGRIT 16in
70	56412191	2	CYLINDRICAL BRUSH 680MM 28in SOFT NYLON
71	56412192	2	CYLINDRICAL BRUSH 680MM 28in HARD NYLON
72	56412046	2	CYLINDRICAL BRUSH 680MM 28in POLYPROPYLENE
73	56412193	2	CYLINDRICAL BRUSH 680MM 28in 180 GRIT
74	56412194	2	CYLINDRICAL BRUSH 680MM 28in 80 GRIT
75	56412195	2	CYLINDRICAL BRUSH 680MM 28in 46 GRIT

NOTE 1: All squeegee blade kits include both front and rear squeegee blades.

NOTE 2: Starting with Charger serial # CP360614027995 the charger software can be programmed with a

Brush selector guide - disk

BA 755-855

12-11-2014

Part List ID

E166137

49

Pos	Part no.	Qty	Description
1	56505800	1	BRUSH PADHOLDER 14in
2	56505195	1	PAD RETAINER DEVICE SNAP LOCK
3	56505801	1	BRUSH MAGNAGRIT 14in
4	56505802	1	BRUSH DYNA GRIT 14in
5	56505803	1	BRUSH AGLITE 14in
6	56505804	1	BRUSH PROLENE 14in
7	56505805	1	BRUSH PROLITE 14in
8	56505806	1	BRUSH UNION MIX 14in
9	56505807	1	BRUSH MIDGRIT 240 14in
10	56505808	1	BRUSH MIDLITE 180 14in
21	56505830	1	PAD HOLDER - 16 3 LUG
22	56505195	1	PAD RETAINER DEVICE SNAP LOCK
23	56505831	1	BRUSH MAGNAGRIT 16in
24	56505832	1	BRUSH DYNAGRIT 16in
25	56505833	1	BRUSH AGLITE 16in
26	56505834	1	BRUSH PROLENE 16in
27	56505835	1	BRUSH PROLITE 16in
28	56505836	1	BRUSH UNION MIX 16in
29	56505837	1	BRUSH MIDGRIT 240 16in
30	56505838	1	BRUSH MIDLITE 180 16in

Brush selector guide - cylindrical

BA 755-855

12-11-2014

Part List ID

E166138

50

We provide brushes and pad holders that will give you the best possible performance between machine and floor. Following are descriptions of the materials and their applications.

- 46 Grit Brush:** Most aggressive grit brush. Used primarily to clean heavy buildup on concrete floors in factories, or for heavy stripping of finish.
- 80 Grit Brush:** Medium aggressive grit brush. Good all-around brush for medium to heavy buildup removal. Can also be used for general stripping operations.
- 180 Grit Brush:** Least aggressive grit brush. Used for daily cleaning of hard-finished floors.
- Polypropylene Brush:** Standard equipment brush. Low cost, yet effective in cleaning many common floor surfaces.
- Stiff Nylon Brush:** Cleaning action similar to polypropylene. More durable and wear-resistant than polypropylene.
- Soft Nylon Brush:** Least aggressive brush available. Used on soft-finish floors where a more aggressive brush would leave scratch marks, or in applications requiring very light cleaning.

BA 755 BRUSHES

- 56412191 - Soft Nylon
- 56412192 - Hard Nylon
- 56412046 - Prolene
- 56412193 - 180 Grit
- 56412194 - 80 Grit
- 56412195 - 46 Grit

32" BRUSHES (USE IF DECK KIT 56315672 IS INSTALLED)

- 56407473 - Soft Nylon
- 56407474 - Hard Nylon
- 56407475 - Prolene
- 56407476 - 180 Grit
- 56407477 - 80 Grit
- 56407478 - 46 Grit

CYLINDRICAL BRUSH APPLICATION GUIDE (SUGGESTION ONLY)

Application	46 Grit	80 Grit	180 Grit	Polypropylene	Stiff Nylon	Soft Nylon
Stripping:						
Concrete	X	X				
Terrazzo	X	X				
Ceramic/Quarry tile		X				
Vinyl tile		X				
General Scrubbing:						
Concrete	X	X	X	X	X	
Terrazzo			X	X	X	X
Ceramic/Quarry tile			X	X	X	X
Marble			X		X	X
Vinyl tile			X	X	X	X
Raised-rubber tile			X			X

Brush selector guide - cylindrical

BA 755-855

12-11-2014

Part List ID

E166138

51

Pos	Part no.	Qty	Description
1	56412191	1	CYLINDRICAL BRUSH 680MM 28in SOFT NYLON
2	56412192	1	CYLINDRICAL BRUSH 680MM 28in HARD NYLON
3	56412046	1	CYLINDRICAL BRUSH 680MM 28in POLYPROPYLENE
4	56412193	1	CYLINDRICAL BRUSH 680MM 28in 180 GRIT
5	56412194	1	CYLINDRICAL BRUSH 680MM 28in 80 GRIT
6	56412195	1	CYLINCRICAL BRUSH 680MM 28in 46 GRIT
11	56407473	1	CYLINDRICAL BRUSH 790MM 31in NYLON SOFT BR 800C
12	56407474	1	CYLINDRICAL BRUSH 790MM 31in NYLON HARD BR 800C
13	56407475	1	CYLINDRICAL BRUSH 790MM 31in PROLENE RED BR 800C
14	56407476	1	CYLINDRICAL BRUSH 790MM 31in MIDLITE 180 BR 800C
15	56407477	1	CYLINDRICAL BRUSH 790MM 31in DYNA GRIT BR 800C
16	56407478	1	CYLINDRICAL BRUSH 790MM 31in MAGNA GRIT 46 BR 800

Squeegee blade selector guide

BA 755-855

12-11-2014

Part List ID
E1661140

52

Gum Rubber: Provides superior wiping action on tile, terrazzo, and polished floors.

Red Gum Rubber: Provides longest life on finished or unfinished concrete floors.

Polyurethane: Oil resistance provides superior life in applications with oily floors.

SQUEEGEE BLADE APPLICATION GUIDE(SUGGESTION ONLY)			
Performance Traits	Gum Rubber (Natural Rubber)	Red Gum Rubber (Natural Rubber)	Polyurethane/ Pentathane
Resilience	X		X
Tear Strength	X		X
Abrasion Resistance	X	X	X
Wear Resistance		X	X
Low Temp Flexibility	X	X	
High Temp Flexibility	X		X
Ozone Resistance			
Chemical Resistance			X
Applications			
Oil Resistant Applications			X
General Purpose	X	X	X
Hot Water Applications		X	X
Chemical Applications			X
Color	Tan	Red	Translucent

Squeegee blade selector guide

BA 755-855

12-11-2014

Part List ID
E1661140

53

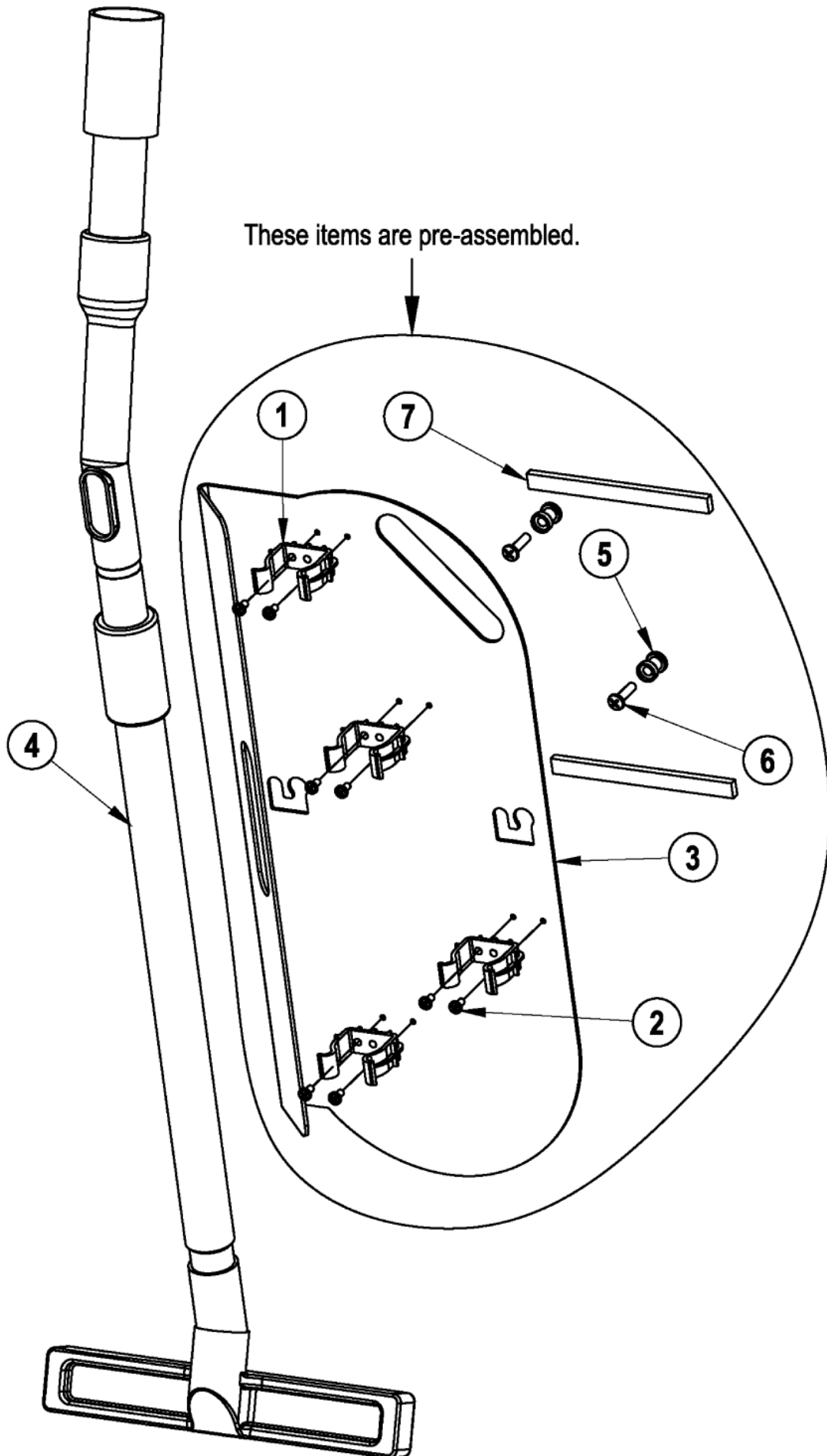
56315312 - Squeegee Wand Kit

BA 755-855

12-11-2014

Part List ID
IS56040825

54



56315312 - Squeegee Wand Kit

BA 755-855

12-11-2014

Part List ID
IS56040825

55

Pos	Part no.	Qty	Description
1	56407361	4	Clamp plastic
2	56009030	8	SCR PAN PHIL THD FOM 10-2
3	56315232	1	BRACKET WAND
4	56315309	1	SCRUB/VAC WAND HOSE
5	56315311	2	SPACER STEPPED
6	56002292	2	Screw
7	56315344	2	GASKET STRIP

NOTE: Items (1, 2, 3 & 7) come preassembled.

56315669 / 56315671 - Deck Kits

BA 755-855

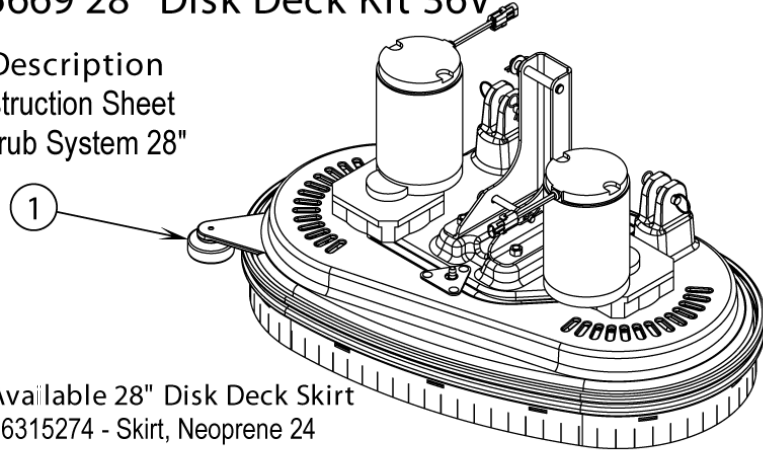
12-11-2014

Part List ID
IS56040847P10

56

56315669 28" Disk Deck Kit 36V

Item	Ref. No.	Qty	Description
*	56040847	1	Instruction Sheet
1	NA	1	Scrub System 28"

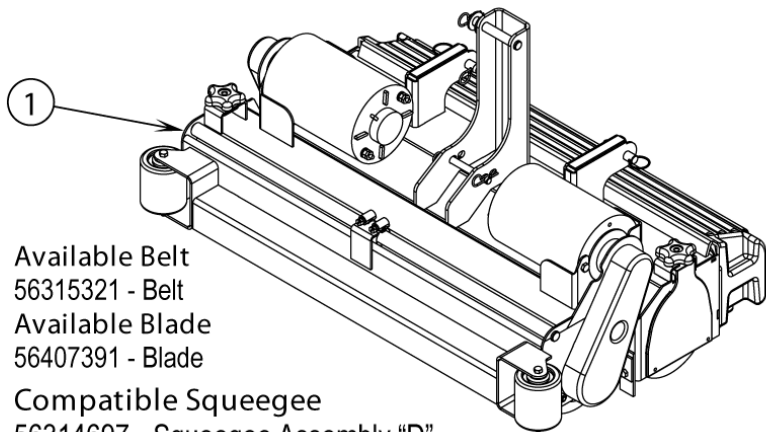


- Compatible Scrub Brushes**
- 56505800 - Short Trim Padholder
 - 56505801 - MagnaGrit
 - 56505802 - DynaGrit
 - 56505803 - AgLite
 - 56505804 - Prolene
 - 56505805 - ProLite
 - 56505806 - Union Mix
 - 56505807 - MidGrit
 - 56505808 - MidLite

- Available 28" Disk Deck Skirt
- 56315274 - Skirt, Neoprene 24
- Available 28" Disk Deck Bumper
- 56315764 - Bumper
- Compatible Squeegee
- 56315632 - Squeegee Assembly "D"
- Squeegee Blade Kits for 56315632
- 56315674 - Kit, Gum Rubber Squeegee Blade "D"
- 56314865 - Kit, Linatex Squeegee Blade "D"
- 56315856 - Kit, PU Squeegee Blade "D"

56315671 28" Cylindrical Deck Kit 36V

Item	Ref. No.	Qty	Description
*	56040847	1	Instruction Sheet
1	NA	1	System, Scrub 28" Cyl.



- Compatible Scrub Brushes**
- 56412191 - Soft Nylon
 - 56412192 - Hard Nylon
 - 56412046 - Prolene
 - 56412193 - 180 MidLite
 - 56412194 - 80 DynaGrit
 - 56412195 - 46 MagnaGrit

- Available Belt
- 56315321 - Belt
- Available Blade
- 56407391 - Blade
- Compatible Squeegee
- 56314697 - Squeegee Assembly "D"
- Squeegee Blade Kits for 56315632
- 56315674 - Kit, Gum Rubber Squeegee Blade "D"
- 56314865 - Kit, Linatex Squeegee Blade "D"
- 56315856 - Kit, PU Squeegee Blade "D"

56315669 / 56315671 - Deck Kits

BA 755-855

12-11-2014

Part List ID
IS56040847P10

57

Pos	Part no.	Qty	Description
1		1	NOTE COMMENT SCRUB SYSTEM, 28" PART 56315669
1		1	NOTE COMMENT SCRUB SYSTEM, 28" CYL PART 56315671

56315670 / 56315672 - Deck Kits

BA 755-855

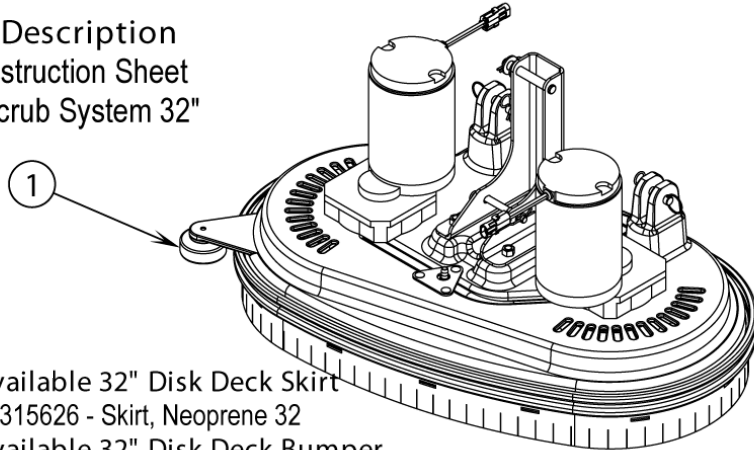
12-11-2014

Part List ID
IS56040847P11

58

56315670 32" Disk Deck Kit 36V

Item	Ref. No.	Qty	Description
*	56040847	1	Instruction Sheet
1	NA	1	Scrub System 32"



Compatible Scrub Brushes

56505830 - Short Trim Padholder

56505831 - MagnaGrit

56505832 - DynaGrit

56505833 - AgLite

56505834 - Prolene

56505835 - ProLite

56505836 - Union Mix

56505837 - MidGrit

56505838 - MidLite

Available 32" Disk Deck Skirt

56315626 - Skirt, Neoprene 32

Available 32" Disk Deck Bumper

56315765 - Bumper

Compatible Squeegee

56315632 - Squeegee Assembly "D"

Squeegee Blade Kits for 56315632

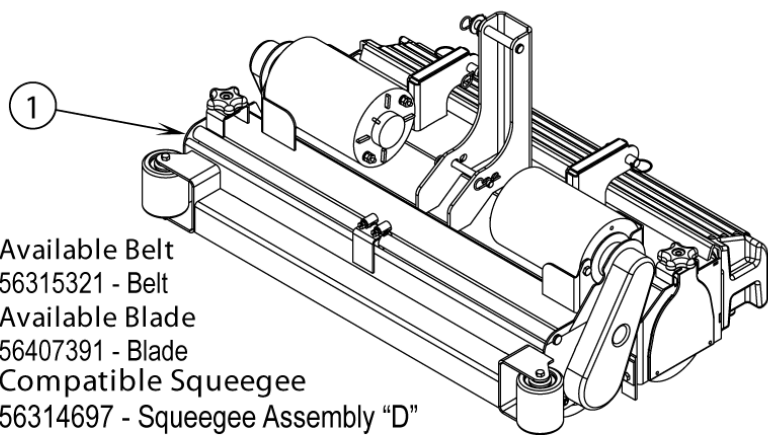
56315674 - Kit, Gum Rubber Squeegee Blade "D"

56314865 - Kit, Linatex Squeegee Blade "D"

56315856 - Kit, PU Squeegee Blade "D"

56315672 32" Cylindrical Deck Kit 36V

Item	Ref. No.	Qty	Description
*	56040847	1	Instruction Sheet
1	NA	1	System, Scrub 32" Cyl.



Compatible Scrub Brushes

56407473 - Soft Nylon

56407474 - Hard Nylon

56407475 - Prolene

56407476 - 180 MidLite

56407477 - 80 DynaGrit

56407478 - 46 MagnaGrit

Available Belt

56315321 - Belt

Available Blade

56407391 - Blade

Compatible Squeegee

56314697 - Squeegee Assembly "D"

Squeegee Blade Kits for 56315632

56315674 - Kit, Gum Rubber Squeegee Blade "D"

56314865 - Kit, Linatex Squeegee Blade "D"

56315856 - Kit, PU Squeegee Blade "D"

56315670 / 56315672 - Deck Kits

BA 755-855

12-11-2014

Part List ID
IS56040847P11

59

Pos	Part no.	Qty	Description
1		1	NOTE COMMENT SCRUB SYSTEM, 32" PART 56315670
1		1	NOTE COMMENT SCRUB SYSTEM, 32" CYL PART 56315672

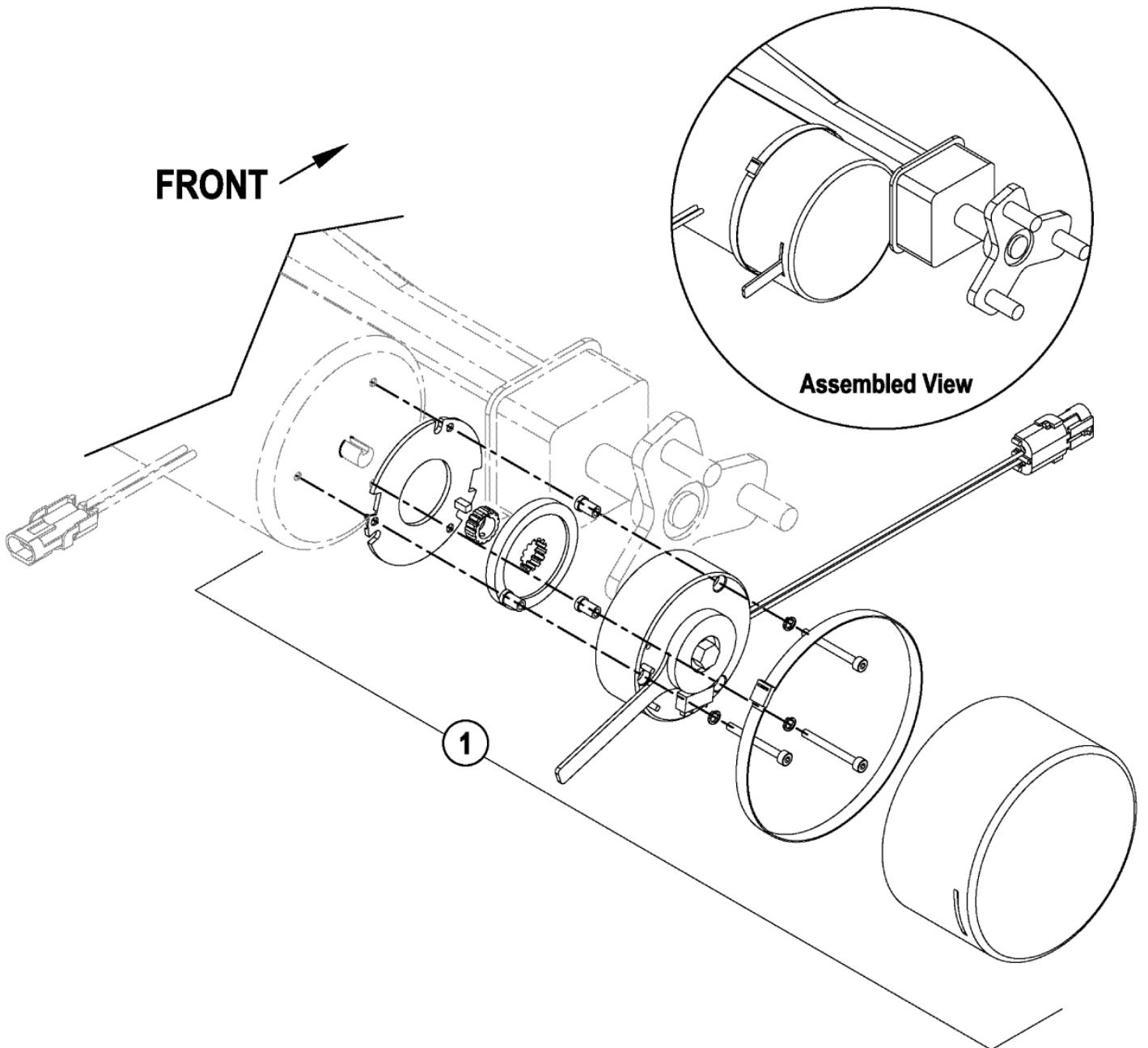
56315681 - Electromagnetic Brake Kit

BA 755-855

12-11-2014

Part List ID
IS56040849

60



56315681 - Electromagnetic Brake Kit

BA 755-855

12-11-2014

Part List ID
1S56040849

61

Pos	Part no.	Qty	Description
1	56315623	1	BRAKE KIT ELECTROMAGNETIC

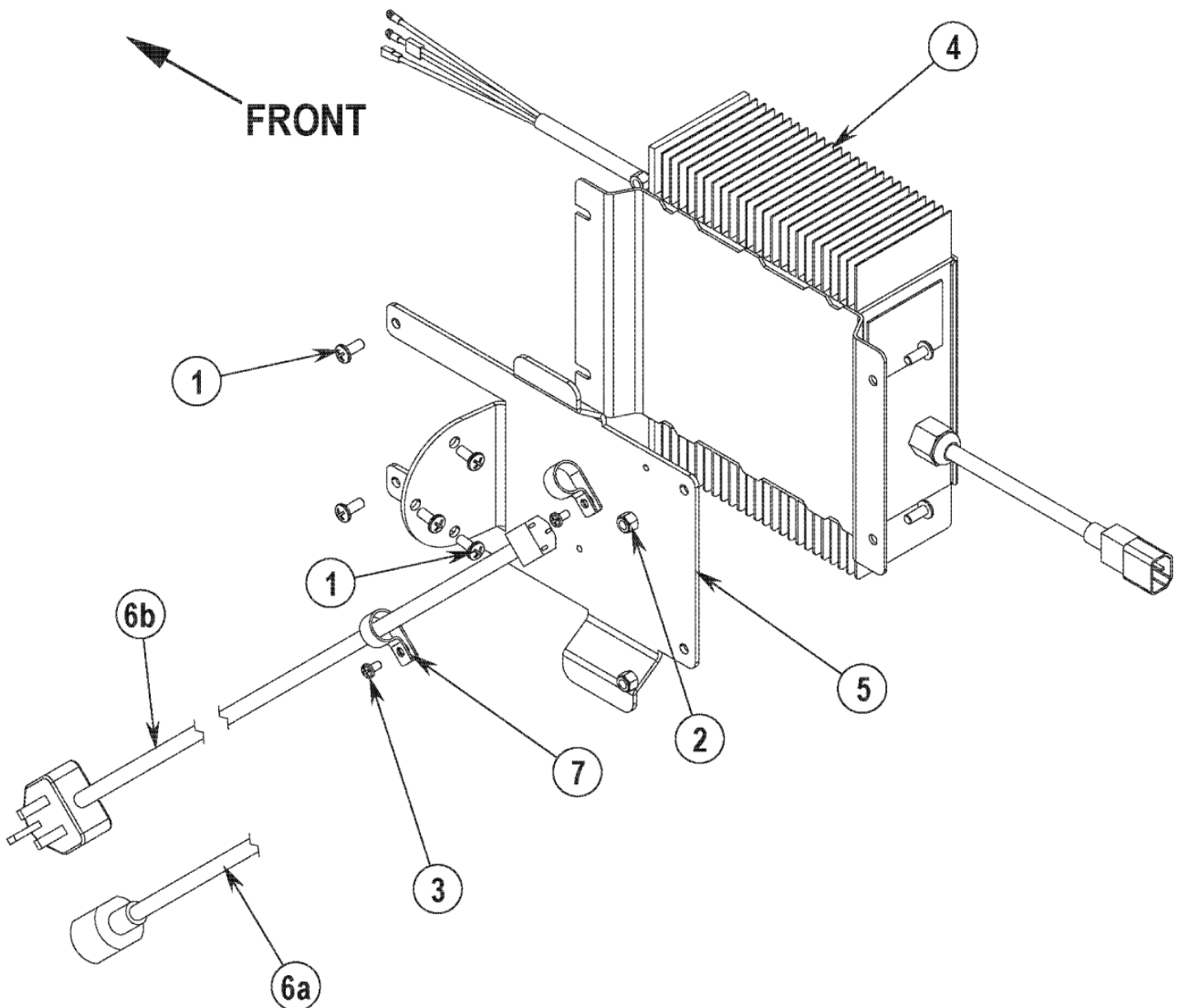
56315658 / 56315665 - Battery Charger Kit

BA 755-855

12-11-2014

Part List ID
IS56040850

62



56315658 / 56315665 - Battery Charger Kit

BA 755-855

12-11-2014

Part List ID
IS56040850

63

Pos	Part no.	Qty	Description	
0	56315658	1	KIT BATTERY CHARGER EUR	
0	56315665	1	BATTERY CHARGER KIT UK	
1	56002066	7	1/4-20 X 5/8 SCREW	
2	56002708	4	Nut Hex Nyloc 1/4-20	
3	56009030	2	SCR PAN PHIL THD FOM 10-2	
4	56315204	1	CHARGER, ON-BOARD 36V	
5	56315206	1	BRACKET CHARGER	
7	56486112	2	P Clamp Ax	
6A	56383388	1	CORD-CHARGER EUROPE	EUR - IN 56315658
6B	56383389	1	CORD-CHARGER UK	UK - IN 56315665

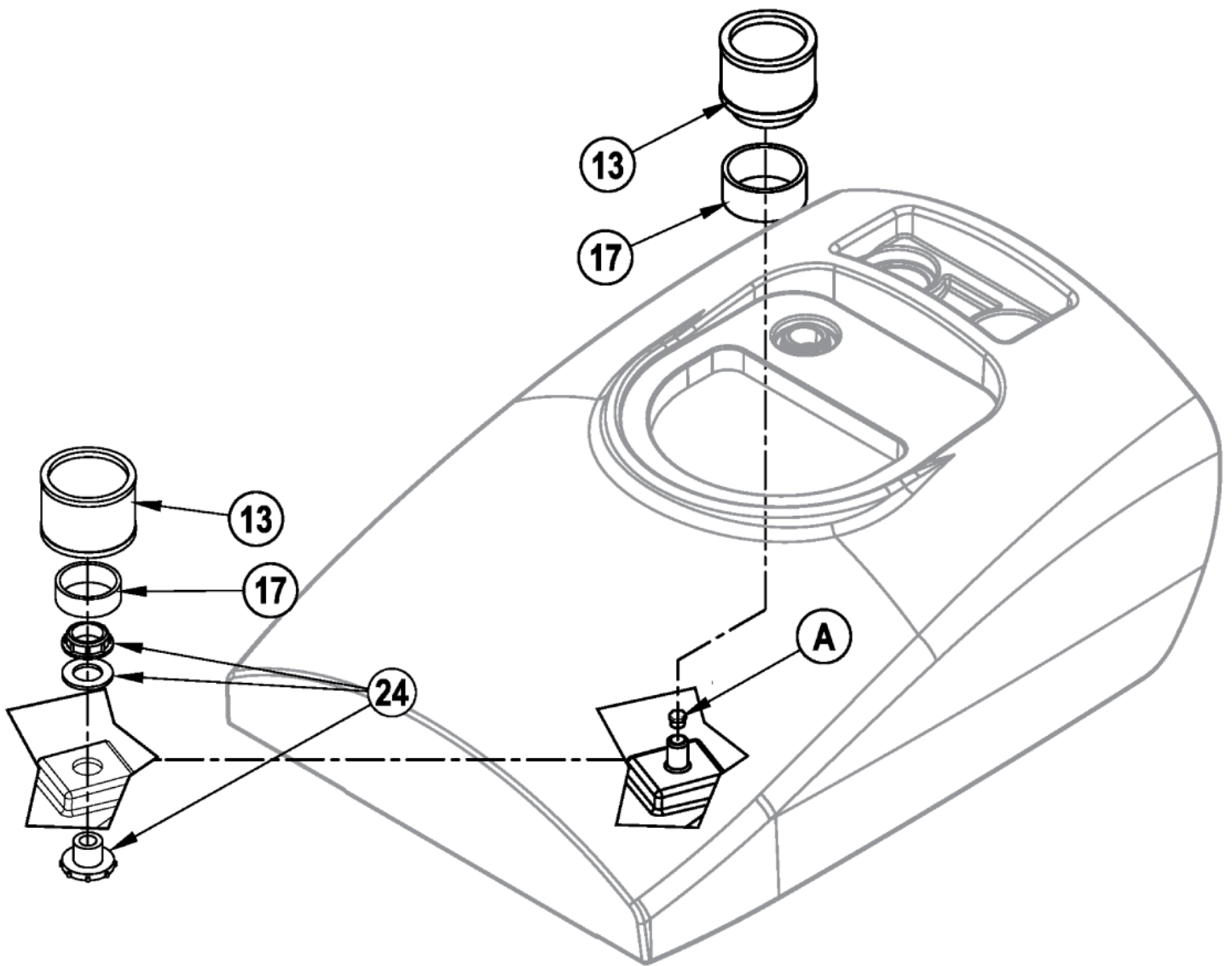
56315169 - Extended Scrub 36V Kit

BA 755-855

12-11-2014

Part List ID
IS56040856P1

64



56315169 - Extended Scrub 36V Kit

BA 755-855

12-11-2014

Part List ID
IS56040856P1

65

Pos	Part no.	Qty	Description
13	56315094	1	FILTER
17	56315292	1	PVC TUBING 1.19
24	56109518	1	THRU WALL BULK HEAD

NOTE: Items (1, 4, 6, 7, 8, 10, 11, 12, 15, 16, 18, 20, 21 & 22) are pre-assembled.

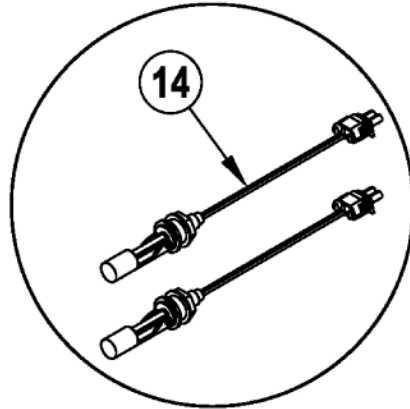
56315169 - Extended Scrub 36V Kit

BA 755-855

12-11-2014

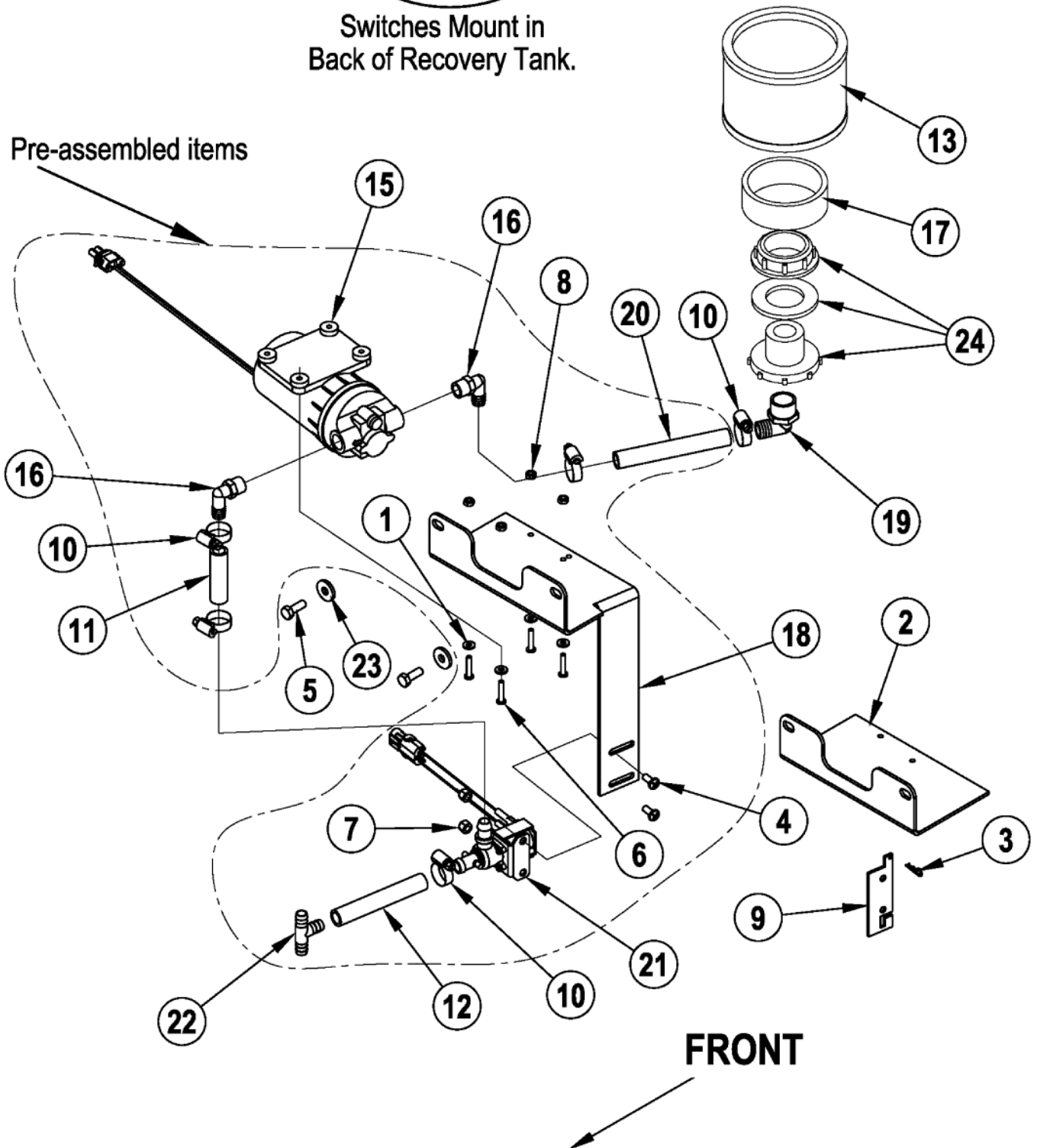
Part List ID
IS56040856P15

66



Switches Mount in
Back of Recovery Tank.

Pre-assembled items



56315169 - Extended Scrub 36V Kit

BA 755-855

12-11-2014

Part List ID
IS56040856P15

67

Pos	Part no.	Qty	Description
1	56001954	4	Washer flat Sae 10
2	56315757	1	BRACKET EXTENDED SCRUB
3	56003530	1	PIN,COT HAIR .059 X .375
4	56002066	2	1/4-20 X 5/8 SCREW
5	56002037	2	Scr Hex Hd 5/16-18 x .88
6	56002674	4	SCR PAN HD PHIL 10-24 X 1
7	56002708	2	Nut Hex Nyloc 1/4-20
8	56002832	4	Nut Hex Nyl
9	56315741	1	BRACKET MOUNT
10	56219932	5	Clamp hose Sae 6 E00047
11	56262561	1	Hose (E00604) Replaced by 56324249
12	56262663	1	HOSE PVC .500 X 9 E00199
13	56315094	1	FILTER
14	56315096	2	SWITCH, FLOAT
15	56315107	1	PUMP 36 VDC
16	56109566	2	BARB 90 ELBOW 1/2 X 3/8 NPT
17	56315292	1	PVC TUBING 1.19
18	56315328	1	BRACKET EXTENDED SCRUB
19	56324035	1	Elbow__E00037
20	56395870	1	HOSE E00604
21	56397215	1	SOLUTION VALVE ASSY.
22	56262549	1	Tee
23	56009122	2	WASHER, FLT .344X.938X.12

NOTE: Items (1, 4, 6, 7, 8, 10, 11, 12, 15, 16, 18, 20, 21 & 22) are pre-assembled.

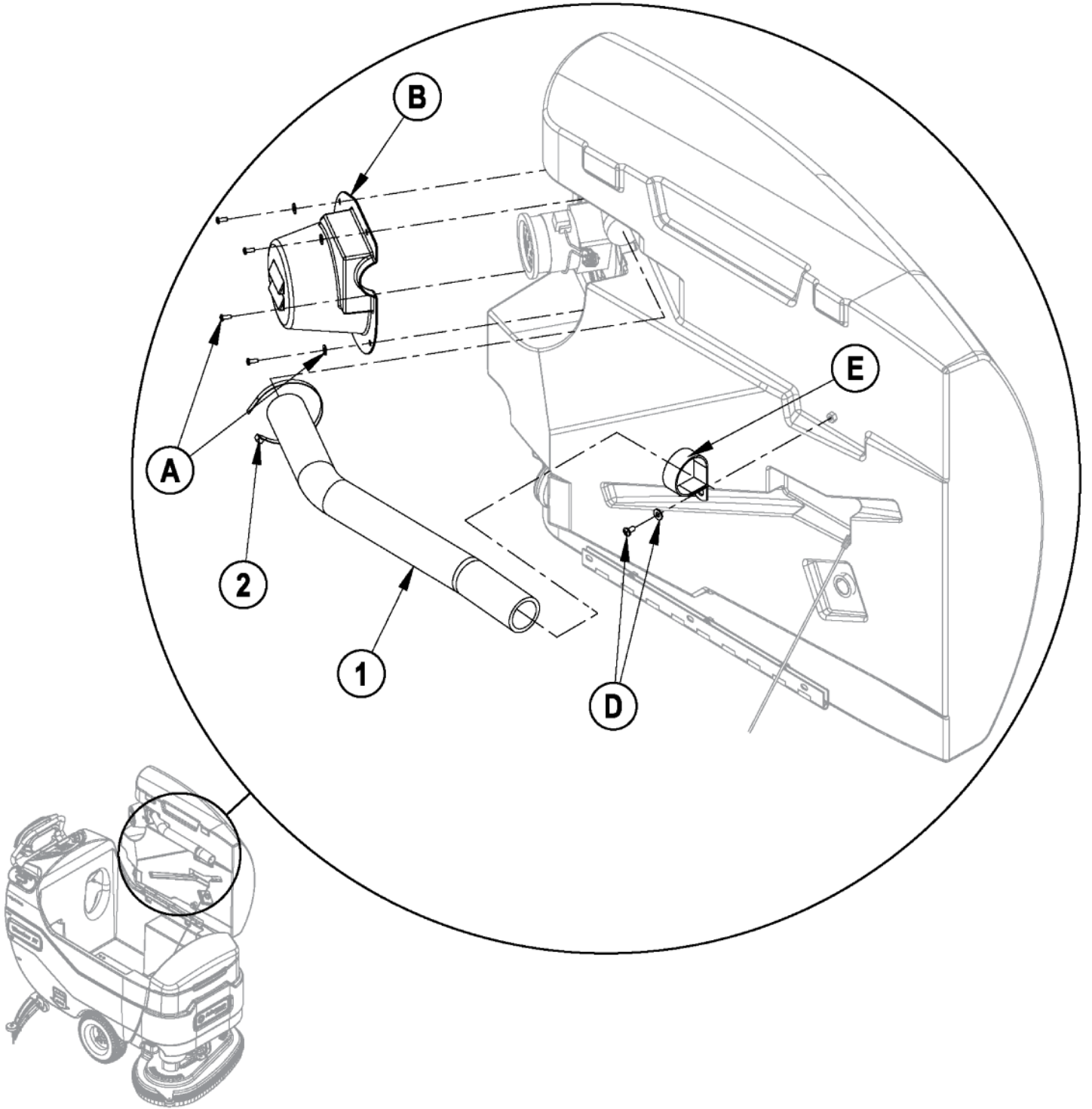
56315597 - Sound Reduction Kit

BA 755-855

12-11-2014

Part List ID
IS56040857

68



56315597 - Sound Reduction Kit

BA 755-855

12-11-2014

Part List ID
IS56040857

69

Pos	Part no.	Qty	Description
1	56315375	1	FOAM ACOUSTICAL HOSE
2	56477613	1	Cable Tie E00549 Re409S

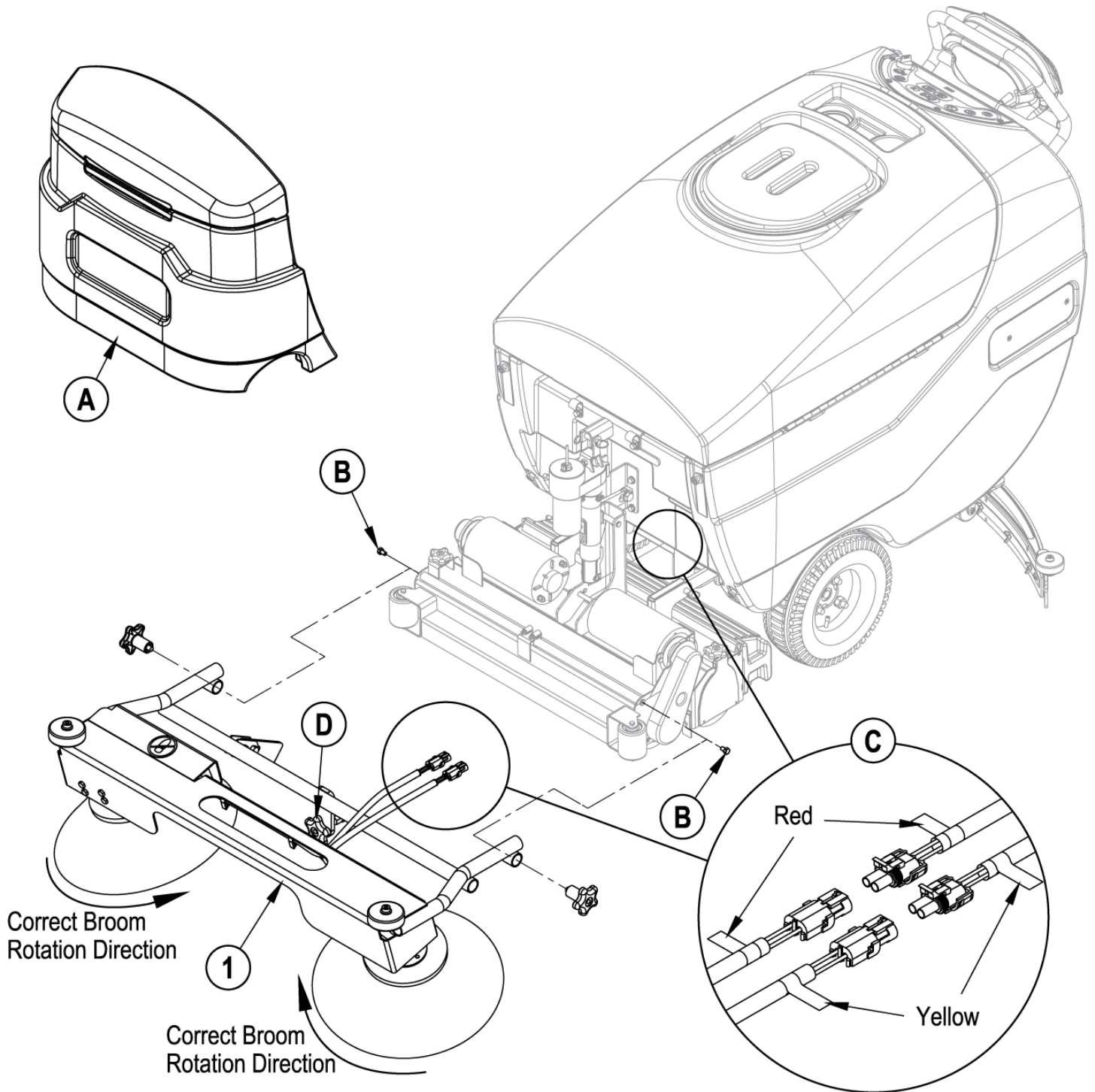
56315398 / 56315399 - Side Broom Kit

BA 755-855

12-11-2014

Part List ID
IS56040864A

70



56315398 / 56315399 - Side Broom Kit

BA 755-855

12-11-2014

Part List ID
IS56040864A

71

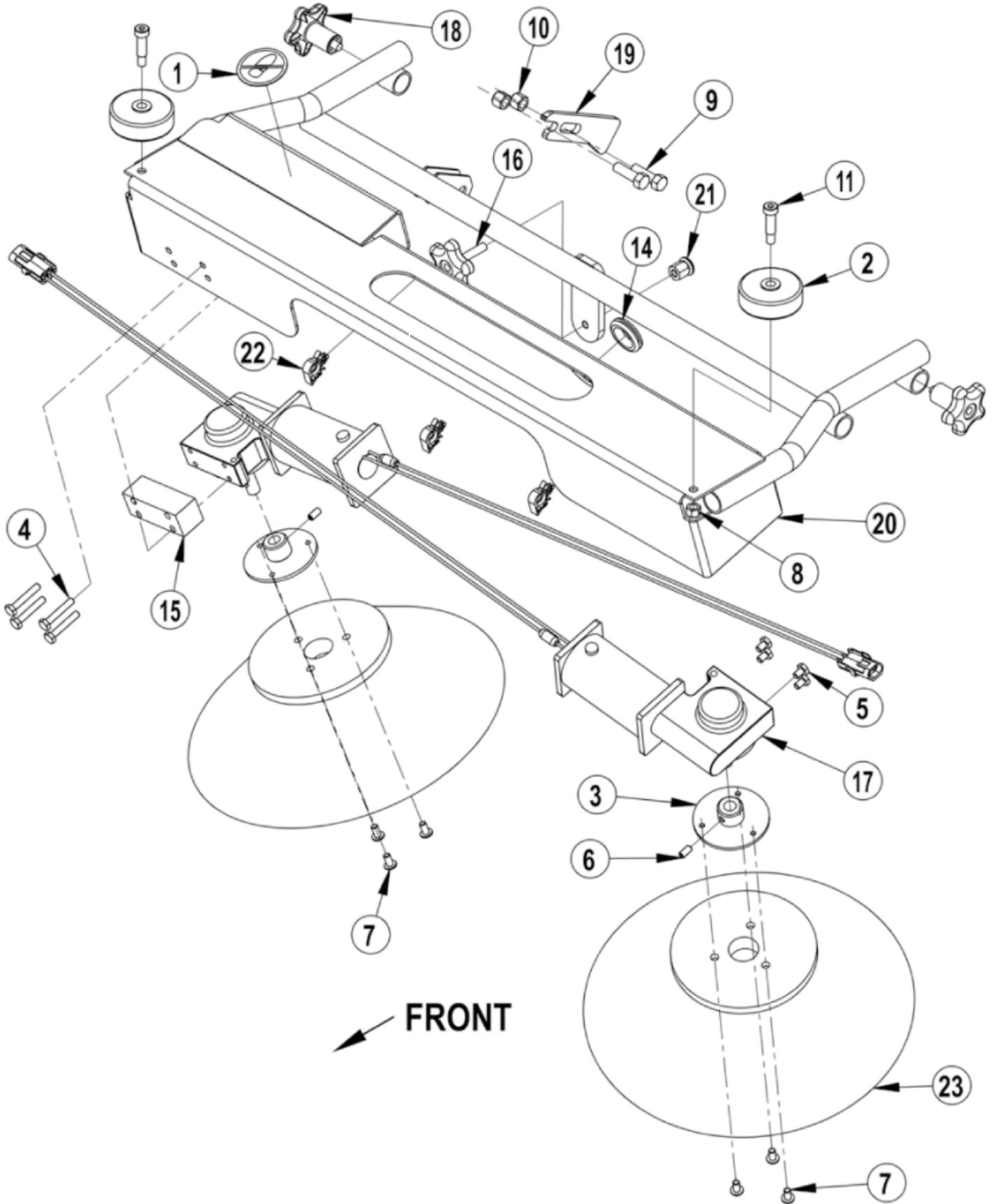
56315398 / 56315399 - Side Broom Kit

BA 755-855

12-11-2014

Part List ID
IS56040864B

72



56315398 / 56315399 - Side Broom Kit

BA 755-855

12-11-2014

Part List ID
IS56040864B

73

Pos	Part no.	Qty	Description	
1	56016163	1	DECAL NO STEP	
2	56324350	2	Wheel Ba500/600	
3	56467522	2	Brush Holder Weld	
4	56001833	4	Scr Hex Hd 1/4-20 x 1.50	
5	56001861	4	1/4-20 X 3/8 SCREW	
6	56002119	2	Screw Soc Set	
7	56002145	6	Scr Pan Hd Phil 1/4-20 x	
8	56002701	2	Nut Hex Lock 5/16-18	
9	56002095	2	Scr Hex Hd 3/8-16 x 1.50	
10	56003219	2	NUT HEX NYL LOC SS 3/8-16	
11	56003472	2	SCR SOC SHD	
11	56015273	2	DECAL RED	NOT SHOWN
11	56015274	2	DECAL YELLOW	NOT SHOWN
14	56055434	1	GROMMET E00059	
15	56315365	1	SPACER	
16	56315374	1	KNOB 5/16	
17	56315383	2	MOTOR AND GEAR UNIT 24V	
18	56315390	2	KNOB THREADED WITH BUSHING	
19	56315392	1	BRACKET TRANSPORT	
20	56315368	1	WELDMENT SIDE BROOM 32	
20	56315393	1	WELDMENT SIDE BROOM 28	
21	56315397	1	SWIVEL PAD	
22	56386407	3	CLIP E00360	
23	56475179	2	BROOM SIDE	

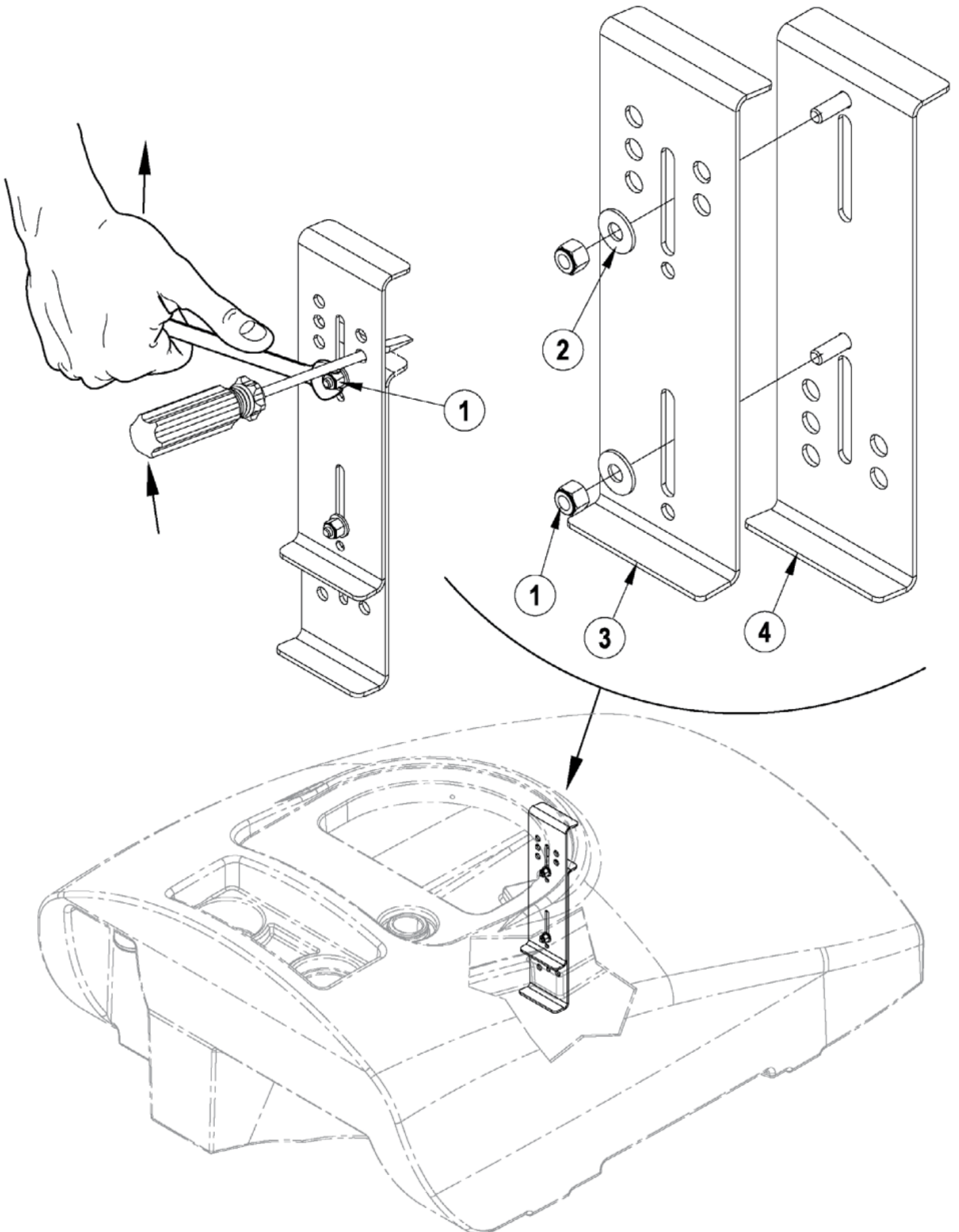
56315583 - Recovery Tank Support Kit

BA 755-855

12-11-2014

Part List ID
IS56040884

74



56315583 - Recovery Tank Support Kit

BA 755-855

12-11-2014

Part List ID
IS56040884

75

Pos	Part no.	Qty	Description
1	56002491	2	Nut Greer 1/4-20
2	56002859	2	Washer flat Sae SS 1/4
3	56315581	1	BRACKET TANK SUPPORT
4	56315582	1	BRACKET TANK SUPPORT

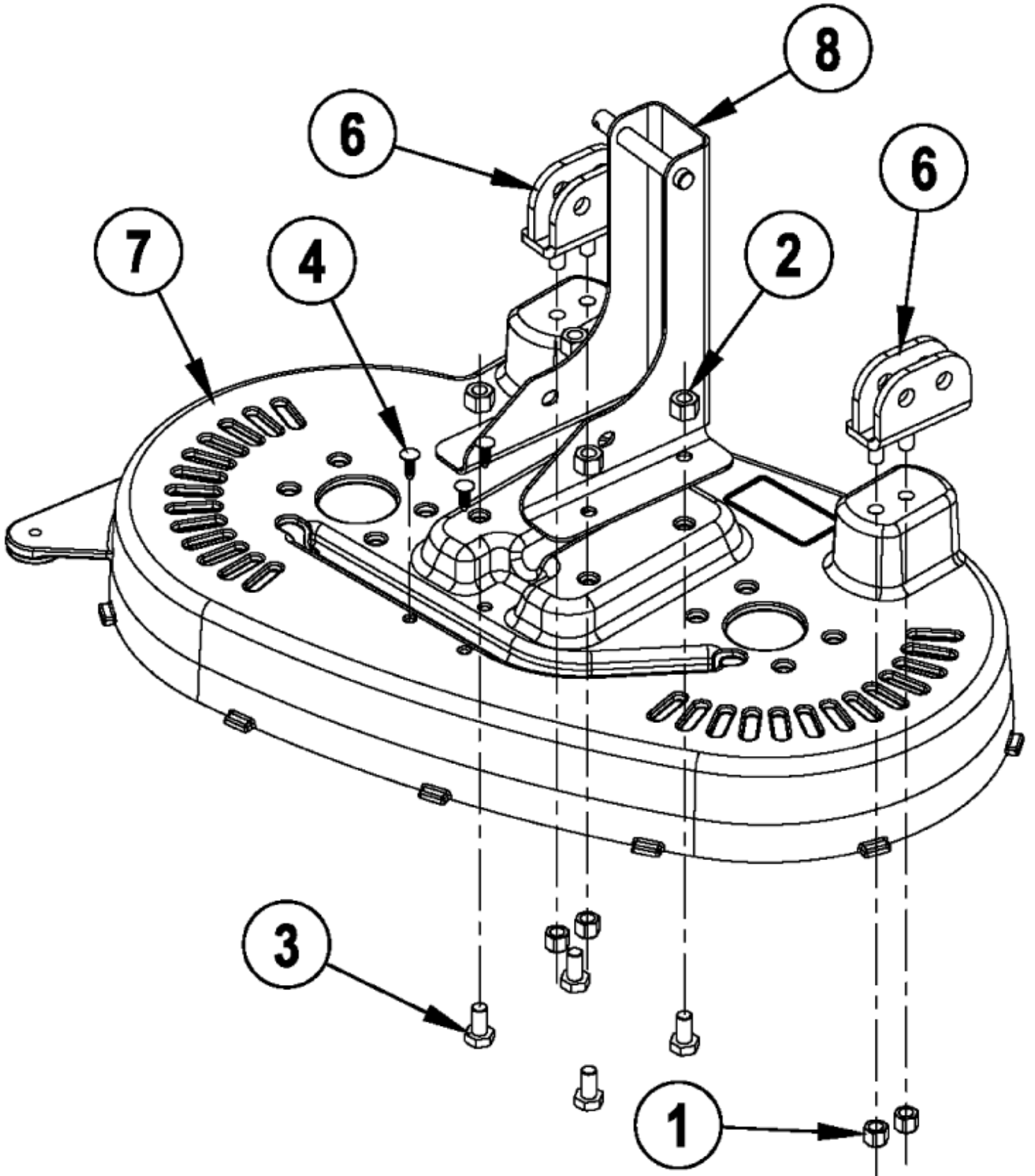
56315727/56315728 - Deck kits

BA 755-855

12-11-2014

Part List ID
IS56040905

76



56315727/56315728 - Deck kits

BA 755-855

12-11-2014

Part List ID
IS56040905

77

Pos	Part no.	Qty	Description	
1	56002769	4	Nut Hex	
2	56003438	4	NUT HEX NYL LOC SS M10- 1 .50	
3	56003533	4	SCR HEX HD SS M10-1.50 X 20MM	
4	56003693	3	RIVET NYLON TREE PUSH IN	
6	56315373	2	DECK MOUNT BRKT WELDT RHS	
7	56315586	1	SCRUB DECK DISC CAST 24	KIT 56315725
7	56315587	1	SCRUB DECK DISC CAST 26	KIT 56315726
7	56315588	1	SCRUB DECK DISC,CAST,28	KIT 56315727
7	56315859	1	SCRUB DECK DISC	KIT 56315728
8	56315718	1	DECK ACTUATOR WELDMENT	KITS 56315725 & 56315726
8	56315719	1	DECK ACTUATOR WELDMENT	KITS 56315727 & 56315728

NOTE: All items are preassembled except (4).

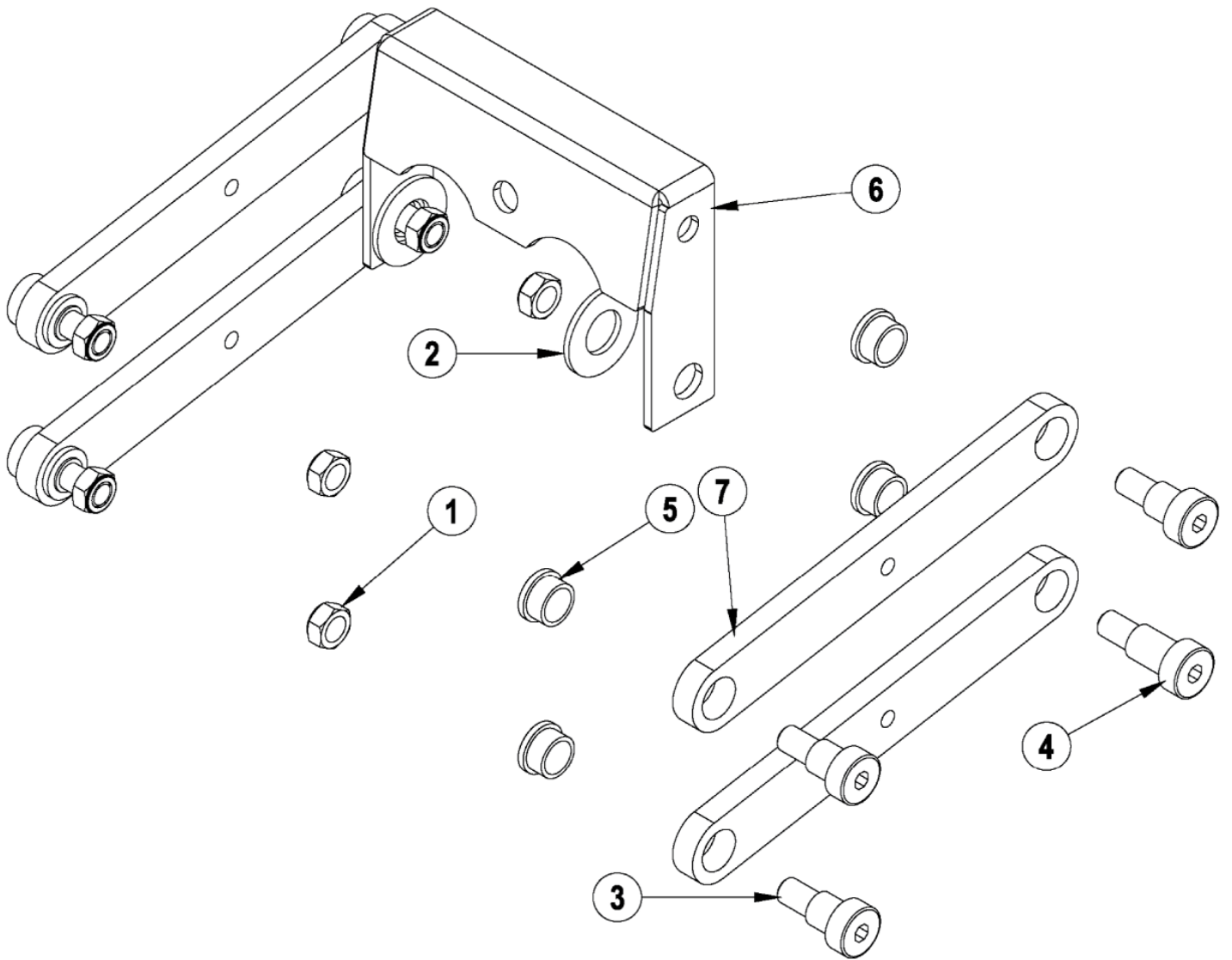
56315767 - Squeegee Linkage Kit

BA 755-855

12-11-2014

Part List ID
IS56040953

78



56315767 - Squeegee Linkage Kit

BA 755-855

12-11-2014

Part List ID

1S56040953

79

Pos	Part no.	Qty	Description
1	56002852	8	NUT HEX NYL LOC-THIN SS 3
2	56002940	2	WSH FLT SAE SS 5/8
3	56003682	6	SCR SCO HD SHD .50X.50X 3/8 16
4	56003692	2	SCR SOC SHD .50 X .75 X 3/8 16
5	56185264	8	BEARING FLANGE
6	56315713	1	BRACKET SQUEEGEE LEVEL
7	56315338	4	ARM SQUEEGEE LINKAGE

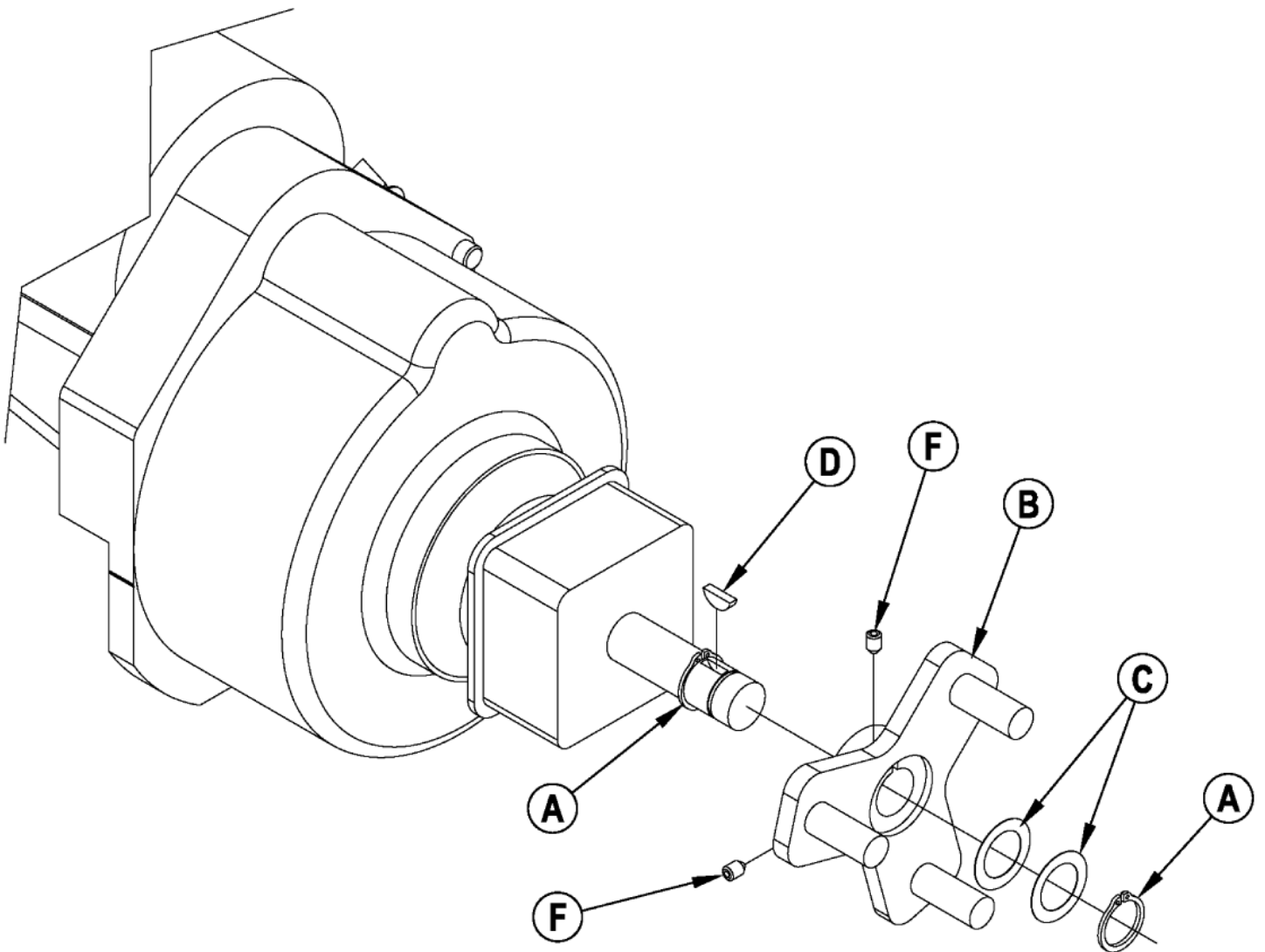
56380511 - Transaxle Hub Kit 36V

BA 755-855

12-11-2014

Part List ID
IS56090004

80



56380511 - Transaxle Hub Kit 36V

BA 755-855

12-11-2014

Part List ID
IS56090004

81

Pos	Part no.	Qty	Description
A		2	NOTE COMMENT RETAINING RINGS
B		1	NOTE COMMENT WHEEL FLANGE WTHREE STUDS 1/2-20NC X 1.19"
C		2	NOTE COMMENT STEEL SHIM 1-1/8" OD X 3/4" ID X .010" THICK
D		2	NOTE COMMENT STEEL SHIM 1-1/8" OD X 3/4" ID X .005" THICK
E		1	NOTE COMMENT WOODRUFF KEY #605
F		2	NOTE COMMENT SET SCREW

56316073 / 56316074 - Deck Kits

12-11-2014

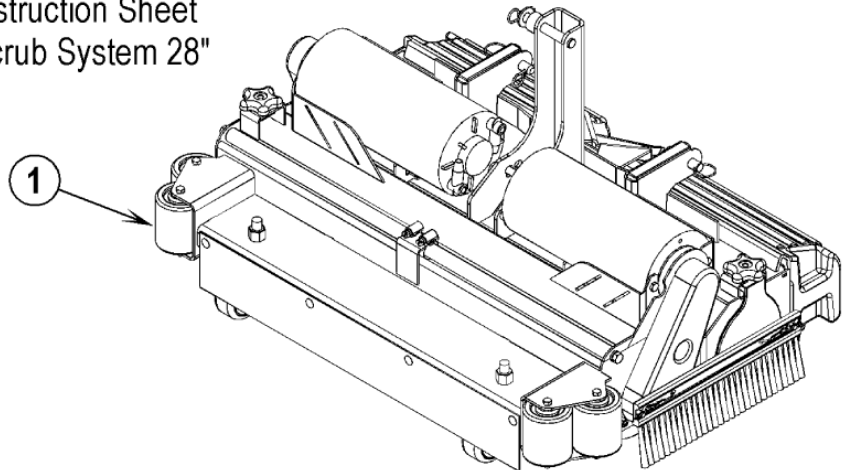
Part List ID
IS56040890

BA 755-855

82

56316073 Adhancer Deck Kit W28

Item	Ref. No.	Qty	Description
*	56040890	1	Instruction Sheet
1	NA	1	Scrub System 28"



Available Belt

56316053 - Belt

Available Blade

56407391 - Blade

Compatible Squeegee

56315632 - Squeegee Assembly "D"

Squeegee Blade Kits for 56315632

56315674 - Kit, Gum Rubber Squeegee Blade "D"

56314865 - Kit, Linatex Squeegee Blade "D"

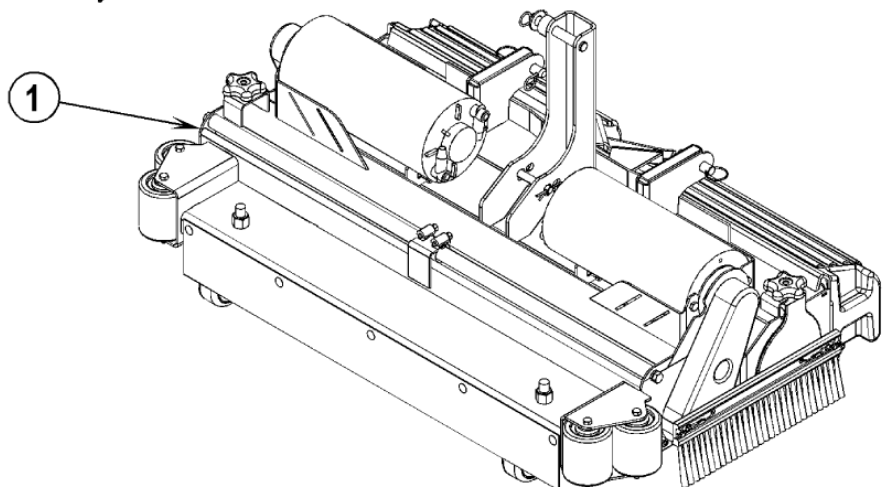
56314843 - Kit, Neoprene Squeegee Blade "D"

Only Compatible Scrub Brushes

56316050 - Wash & Shine Brushes

56316074 Adhancer Deck Kit W32

Item	Ref. No.	Qty	Description
*	56040890	1	Instruction Sheet
1	NA	1	Scrub System 32"



Available Belt

56316053 - Belt

Available Blade

56407391 - Blade

Compatible Squeegee

56315632 - Squeegee Assembly "D"

Squeegee Blade Kits for 56315632

56315674 - Kit, Gum Rubber Squeegee Blade "D"

56314865 - Kit, Linatex Squeegee Blade "D"

56314843 - Kit, Neoprene Squeegee Blade "D"

Only Compatible Scrub Brushes

56316051 - Wash & Shine Brushes

56316073 / 56316074 - Deck Kits

BA 755-855

12-11-2014

Part List ID
IS56040890

83

Pos	Part no.	Qty	Description	
1		1	NOTE COMMENT	KIT 56316073
1		1	NOTE COMMENT	KIT 56316074

NOTE: Refer to parts list form number 56042469 for individual replacement parts of scrub decks.

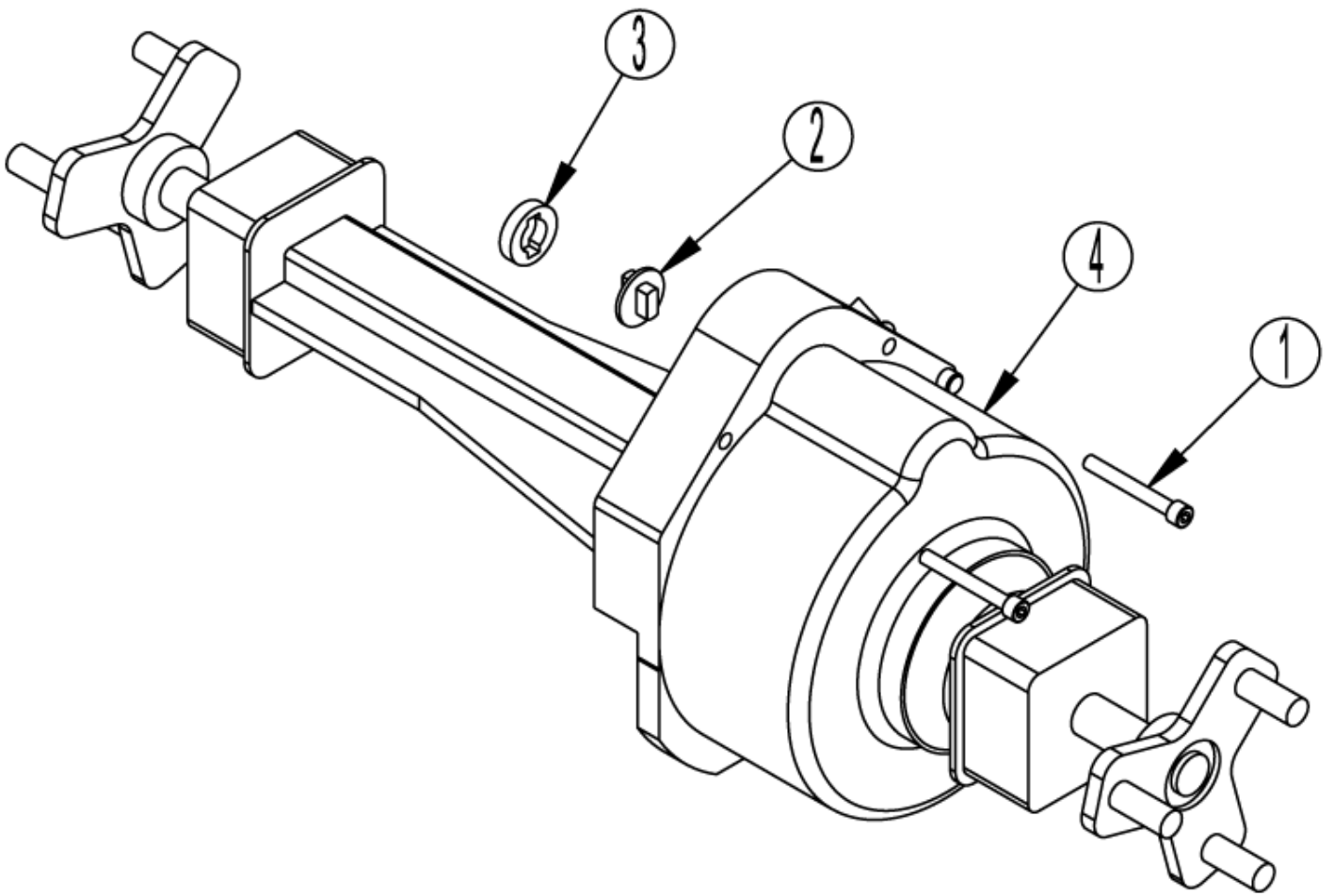
56381779 Transaxle service kit

BA 755-855

12-11-2014

Part List ID
IS5609009202

84



56381779 Transaxle service kit

BA 755-855

12-11-2014

Part List ID
1S5609009Z02

85

Pos	Part no.	Qty	Description
0	56381779	1	TRANSAXLE SERVICE
1	56003864	2	SCR-SOC HD 1/4-20 X 2.00 LOC
2	56380165	1	COUPLING
3	56380166	1	SPACER
4	56381994	1	TRANSAXLE ASSEMBLY