

BR 652 - 752 - 752C

Model:
BR 652
BR 752
BR 752C



Part List US-English

23-04-2015

Table of Contents

BR 652 - 752 - 752C

GENERAL VIEW	3
SOLUTION TANK	5
RECOVERY TANK	7
COLUMN SYSTEM	9
STEERING ASSY	11
STEERING WHEEL SUPP ASSY	13
DRIVE WHEEL ASSY	15
CHASSIS SYSTEM	17
SOLUTION SYSTEM	19
SQUEEGEE RAISING ASSY	21
SQUEEGEE SYSTEMS	23
DISC BRUSH DECK SUPP. ASSY	25
DISC BRUSH DECKS SYSTEMS	27
CYL. BRUSH DECK SUPP. ASSY	29
CYL. BRUSHES DECK 1	31
CYL. BRUSHES DECK 2	33
ELECTRICAL COMPONENTS	35
BATTERY CHARGER	37
ECOFLEX	39
MOP AND TRASH KIT - BASKET KIT	41
FLASHING BEACON KIT - NOISE REDUCTION KIT	43
ACCESSORIES	45
WIRING DIAGRAM	47
RECOMMENDED SPARE PARTS	49

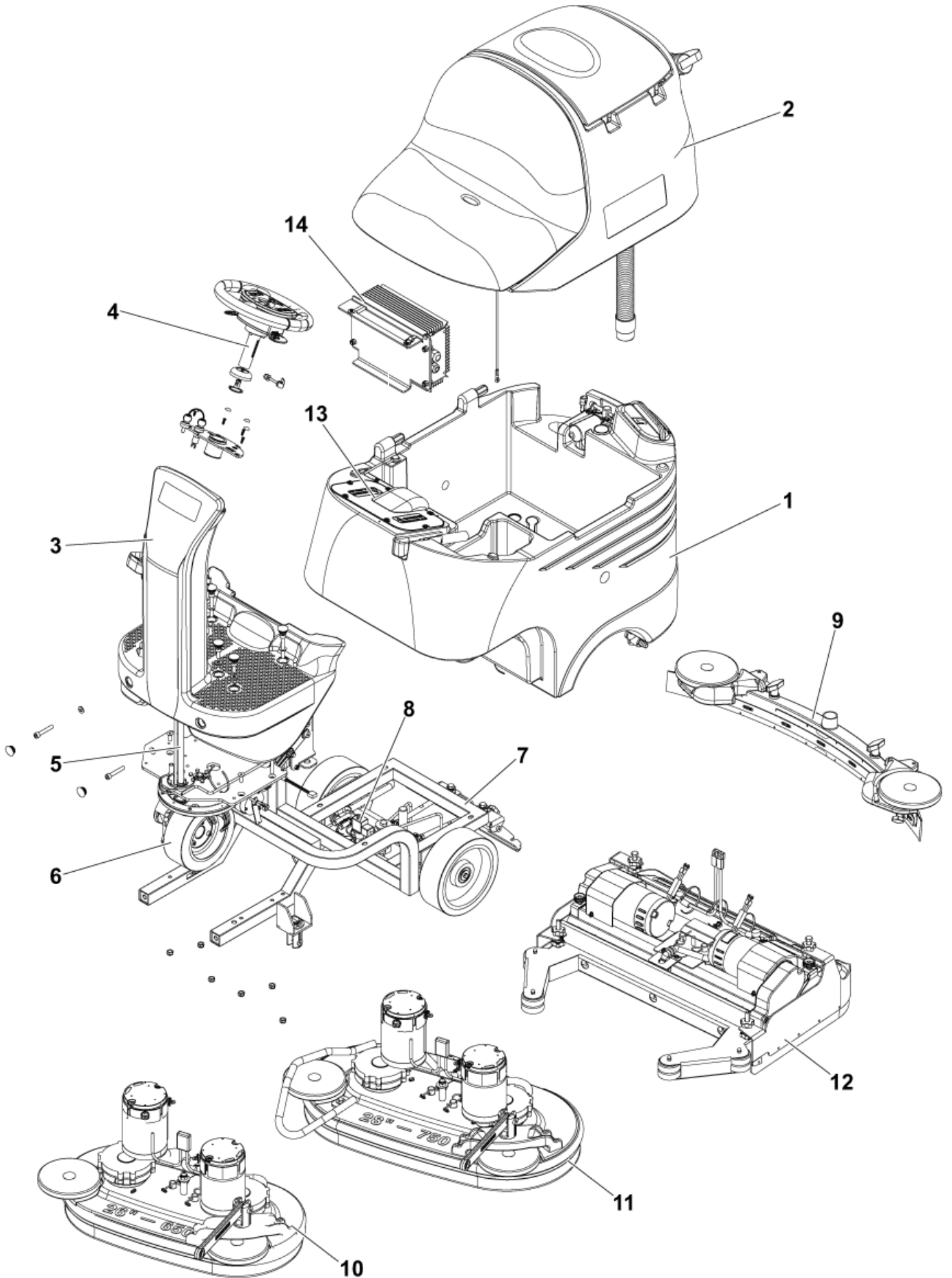
GENERAL VIEW

BR 652 - 752 - 752C

23-04-2015

Part List ID
BR652000

3



GENERAL VIEW

BR 652 - 752 - 752C

23-04-2015

Part List ID
BR652000

4

Pos	Part no.	Qty	Description
1		1	USE LINK Solution tank
2		1	USE LINK Recovery tank
3		1	USE LINK Column system
4		1	USE LINK Steering assy
5		1	USE LINK Steering wheel support assembly
6		1	USE LINK Drive wheel assembly
7		1	USE LINK Chassis system
8		1	USE LINK Solution system
9		1	USE LINK Squeegee systems
10		1	USE LINK Brushes deck system 650
11		1	USE LINK Brushes deck system 750
12		1	USE LINK Cyl. Brushes system
13		1	USE LINK Electrical components
14		1	USE LINK Battery charger

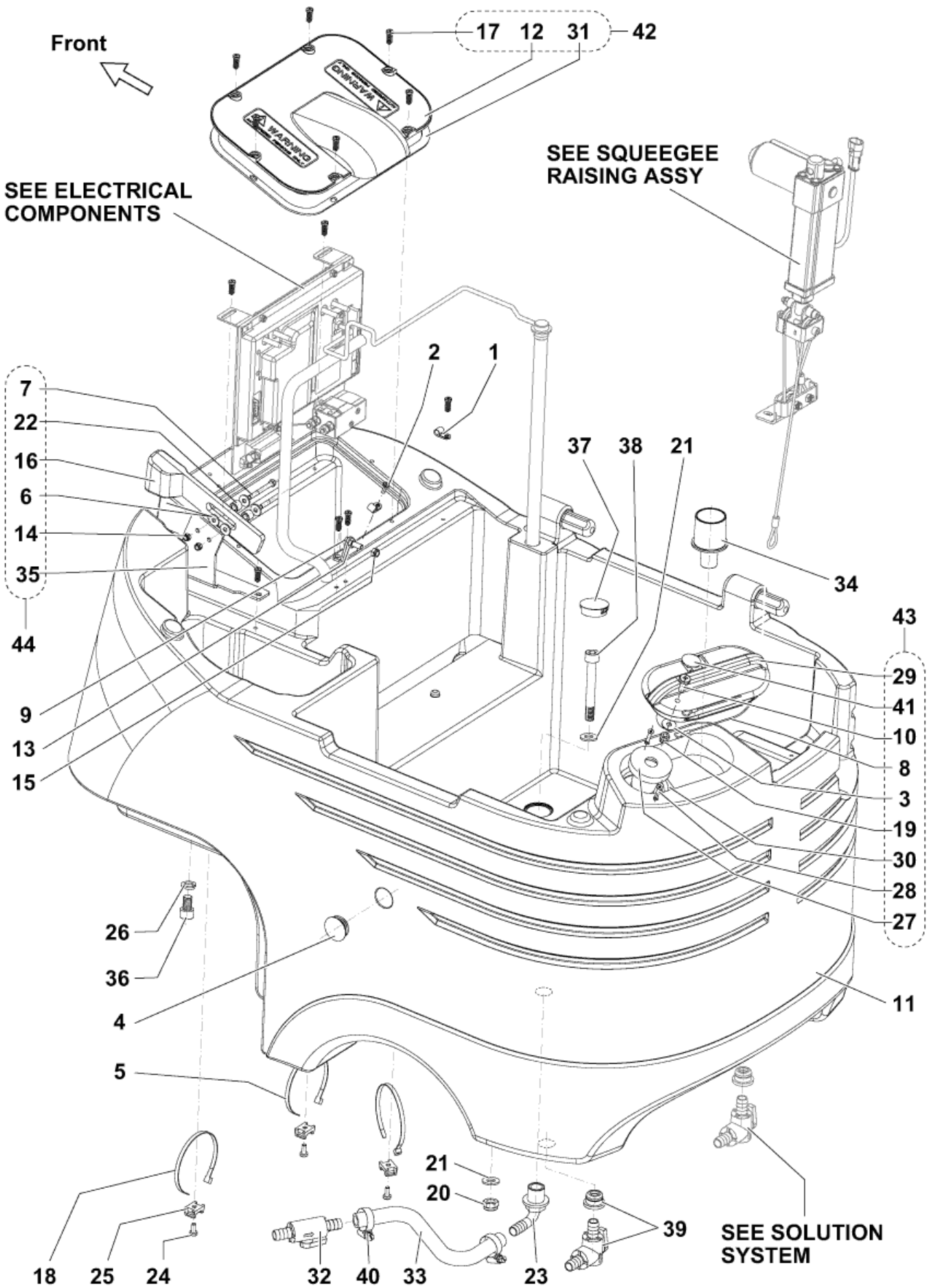
SOLUTION TANK

BR 652 - 752 - 752C

23-04-2015

Part List ID
BR652006

5



SOLUTION TANK

BR 652 - 752 - 752C

23-04-2015

Part List ID
BR652006

6

Pos	Part no.	Qty	Description	
4	L08812457	2	CAP TANK	
11	9097797000	1	TANK SOLUTION RAL 7016	
23	909 6087 000	3	ELBOW CURVED 90. M 1/2	
27	9100000703	1	HOSE FILLING PKD	
32	9098173000	1	VALVE 1/2-1/2	
33	9098175000	1	HOSE PVC W/SPIRAL D12X18 L.270MM PKD	
34	9098224000	1	MUFF FRESH WATER	
39	9097626000	1	VALVE BALL ELBOW D.13 KIT	
42	9098707000	1	COVER ELECTRONIC CARD KIT	Item 17-12-31
43	9098709000	1	CAP SOLUTION TANK KIT	Item 29-41-10-8-3-30-19-28-27
44	9098710000	1	LEVER BATTERY DEACTIVATION KIT	Item 35-14-6-16-22-7
45	9098711000	1	HARDWARE SOLUTION TANK KIT	Item 1-2-24-25-18-5-15-13-9-17-26-36-37-38-21-20-4

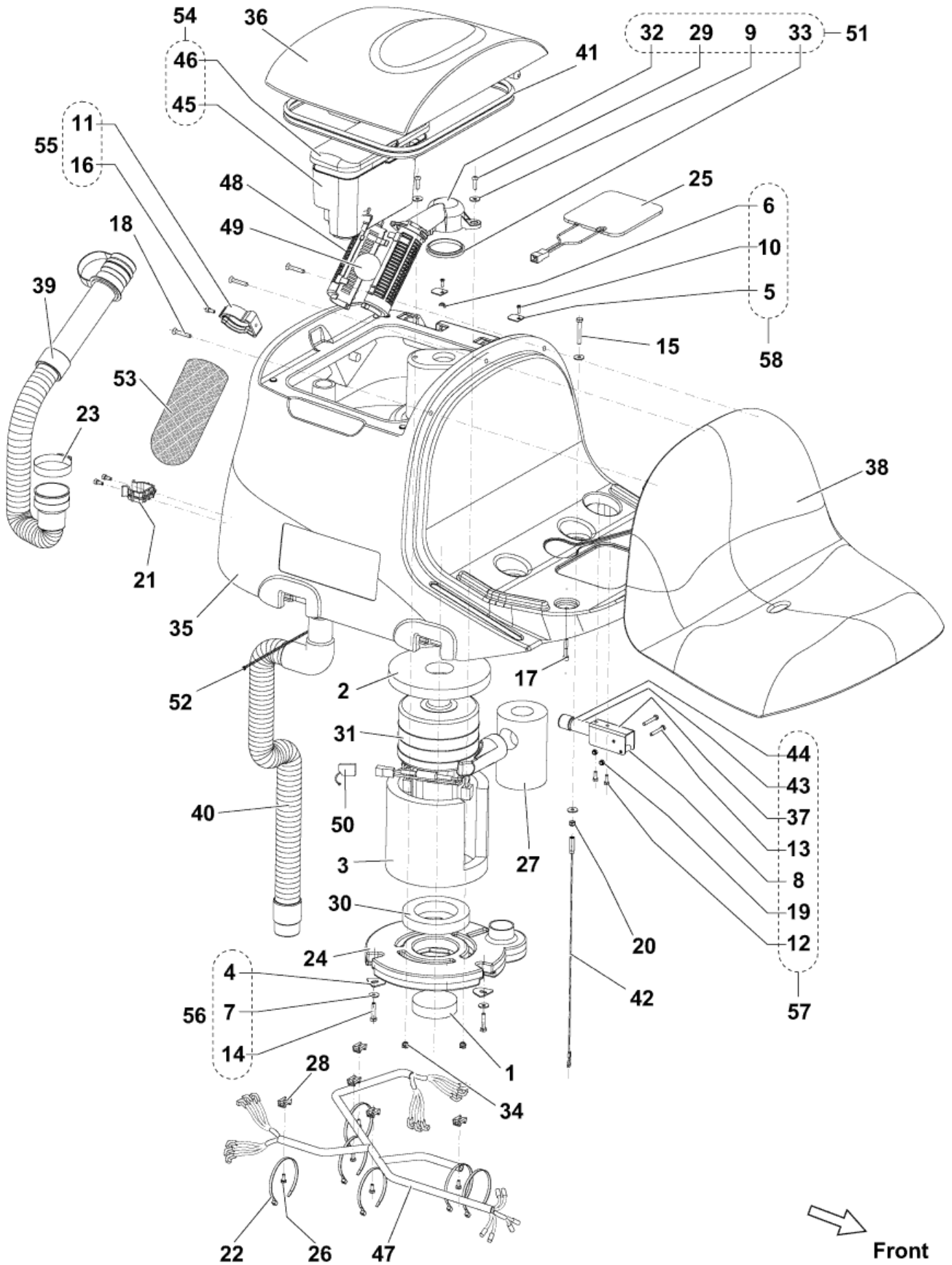
RECOVERY TANK

BR 652 - 752 - 752C

23-04-2015

Part List ID
BR652010

7



RECOVERY TANK

BR 652 - 752 - 752C

23-04-2015

Part List ID
BR652010

8

Pos	Part no.	Qty	Description	
1	909 6672 000	1	FILTER	
2	909 6489 000	1	GASKET VACUUM MOTOR	
3	909 6491 000	1	PANEL ACOUSTIC INSULATION	
21	56407361	1	CLAMP PLASTIC	
23	146 0771 000	1	CLAMP	
24	909 6051 000	1	COVER VACUUM MOTOR	
25	909 6242 000	1	MICROSWITCH	
27	909 6442 000	1	PIPE.ACOUSTIC INSULATION	
30	9097555000	1	GASKET VACUUM MOTOR	
31	9098455000	1	MOTOR VACUUM 3 STAGE 670W 24V KIT	Optional - Inst.Instr. 9098456000
31	9099929000	1	MOTOR VACUUM 3ST 24V 420W KIT	
35	9097801000	1	TANK RECOVERY RAL 7001	
36	9097802000	1	COVER TANK RAL7001	
38	9097858000	1	SEAT	
39	9097935000	1	HOSE DRAIN	
40	9098169000	1	HOSE SUCTION	
41	9098172000	1	GASKET BULB RUBBER L.1235MM PKD	
42	9098177000	1	CABLE SAFETY F TANK	
47	9098235000	1	pARNES RECOVERY TANK	
48	L08812259	2	CAGE FLOAT HALF	
49	L08812373	1	BALL FLOATING	
50	9098716000	1	CARBON BRUSHES KIT 2 PCS	
51	9097681000	1	CAGE FLOAT HOLDER KIT	Item 32-29-9-33
52	L08066000	1	TIE CABLE QUICK FASTENING L.320	
53	909 5065 000	1	FILTER ANTIFOAMING	Optional
54	9098712000	1	TRAY DEBRIS KIT	Item 45-46
55	909 6380 000	1	CLAMP KIT	Item 11-16
56	909 6877 000	1	HARDWARE MOTOR FIXING KIT	Item 4-7-14
57	9098713000	1	BRACKET SAFETY KIT	Item 44-43-37-13-8-19-12
58	9098714000	1	FIXING TANK KIT	Item 6-10-5
59	9098715000	1	HARDWARE RECOVERY TANK KIT	Item 15-17-20-34-26-22-28-18-7
60	9099210000	1	THICKNESS ADHESIVE	NOT SHOWN

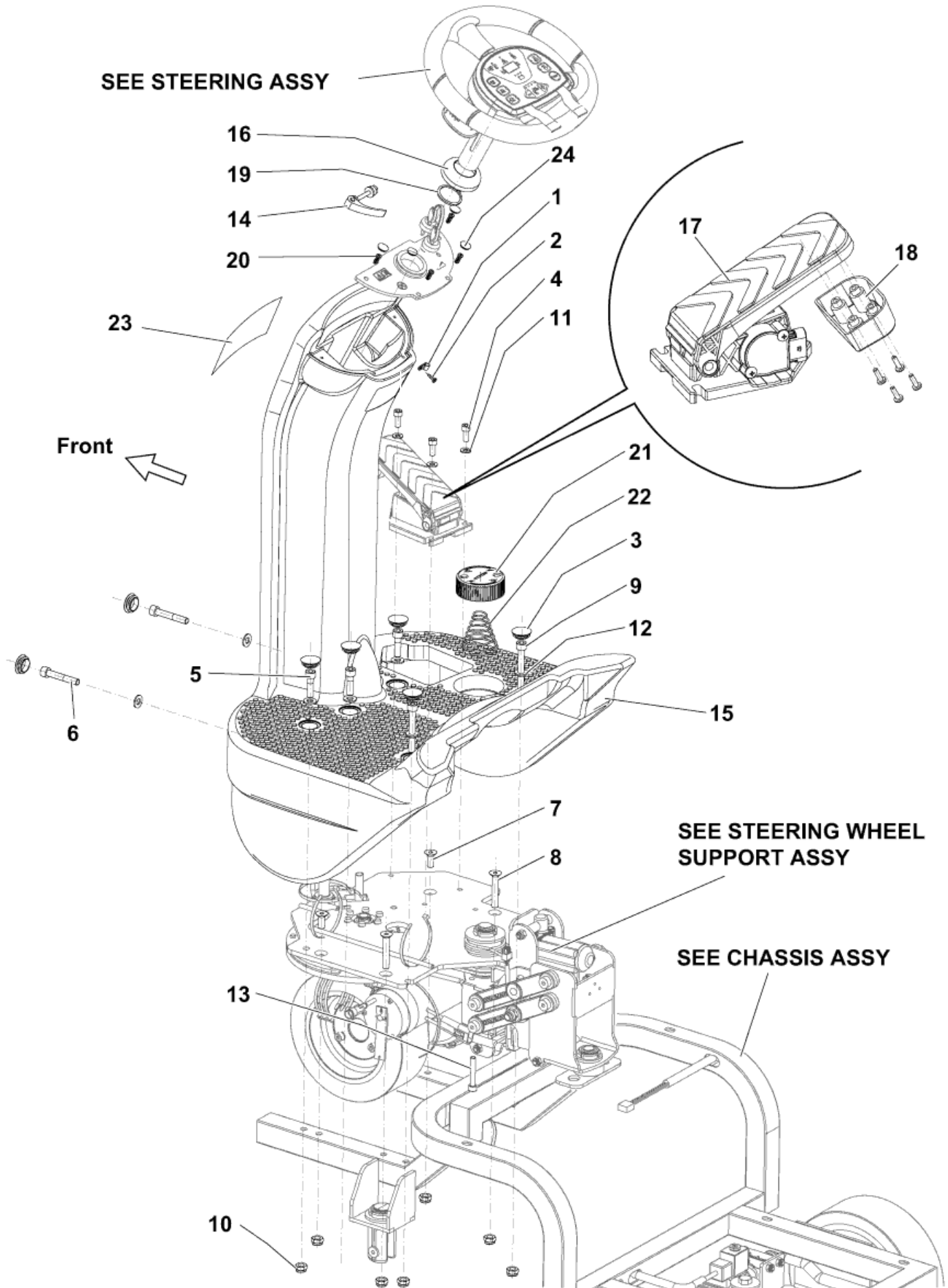
COLUMN SYSTEM

BR 652 - 752 - 752C

23-04-2015

Part List ID
BR652020

9



COLUMN SYSTEM

BR 652 - 752 - 752C

23-04-2015

Part List ID
BR652020

10

Pos	Part no.	Qty	Description
14	9097796000	1	LEVER BLOCK STEERING WHEEL
15	9097805000	1	FOOTBOARD WITH COLUMN RAL7016
16	9097806000	1	PROTECTION STEERING RING
17	9100001051	1	PEDAL SPEED CONTROL KIT
18	9100001052	1	STOPPER PEDAL PKD
21	9097950000	1	FOOTREST
22	9097957000	1	SPRING FOOTREST
23	9098717000	1	DECALS BR 652/752/752C KIT
25	9098718000	1	HARDWARE STEERING COLUMN KIT

Item 1-2-3-4-5-6-7-8-9-10-11-12-13-19-20-24

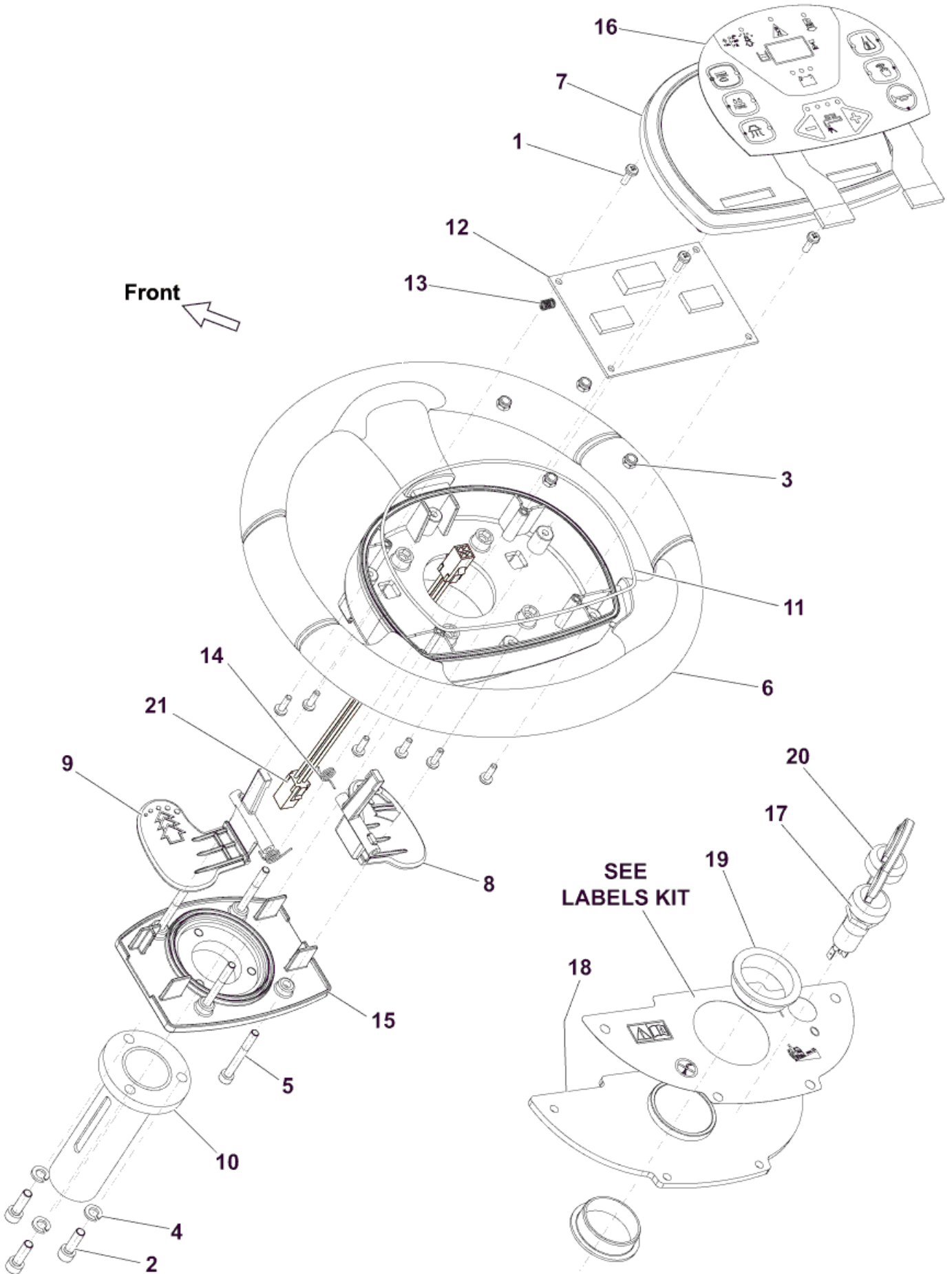
STEERING ASSY

BR 652 - 752 - 752C

23-04-2015

Part List ID
BR652030

11



STEERING ASSY

BR 652 - 752 - 752C

23-04-2015

Part List ID
BR652U30

12

Pos	Part no.	Qty	Description
6	9097785000	1	WHEEL STEERING D.320X281
7	9097786000	1	COVER DRIVE WHEEL
8	9097788000	1	LEVER RIGHT PA YELLOW
9	9097789000	1	LEVER LEFT PA BLACK
10	9097846000	1	TUBE ADJUST.STEERING WHEEL
11	9097921000	1	GASKET ROUND D.2MM
12	9100000178	1	CARD ELECTRONIC FUNCTIONS PKD
13	9097923000	2	SPRING MOVING BOTTON
14	9097924000	2	SPRING TORSION FOR STEERING WH
15	9097925000	1	COVER LOWER
16	9097986000	1	DASHBOARD CONTROL PANEL
17	146 2888 000	1	SWITCH KEY WITH CAP
18	9097842000	1	PLATE FIXING STEERING WHEEL
19	9097843000	2	BEARING FLANGE IGLIDUR GFM-4044-14
20	146 2887 000	1	KEY 2 PCS
21	9097792000	1	CABLE DASHBOARD EXTENSION
22	9098719000	1	HARDWARE STEERING WHEEL KIT

Item 1-2-3-4-5

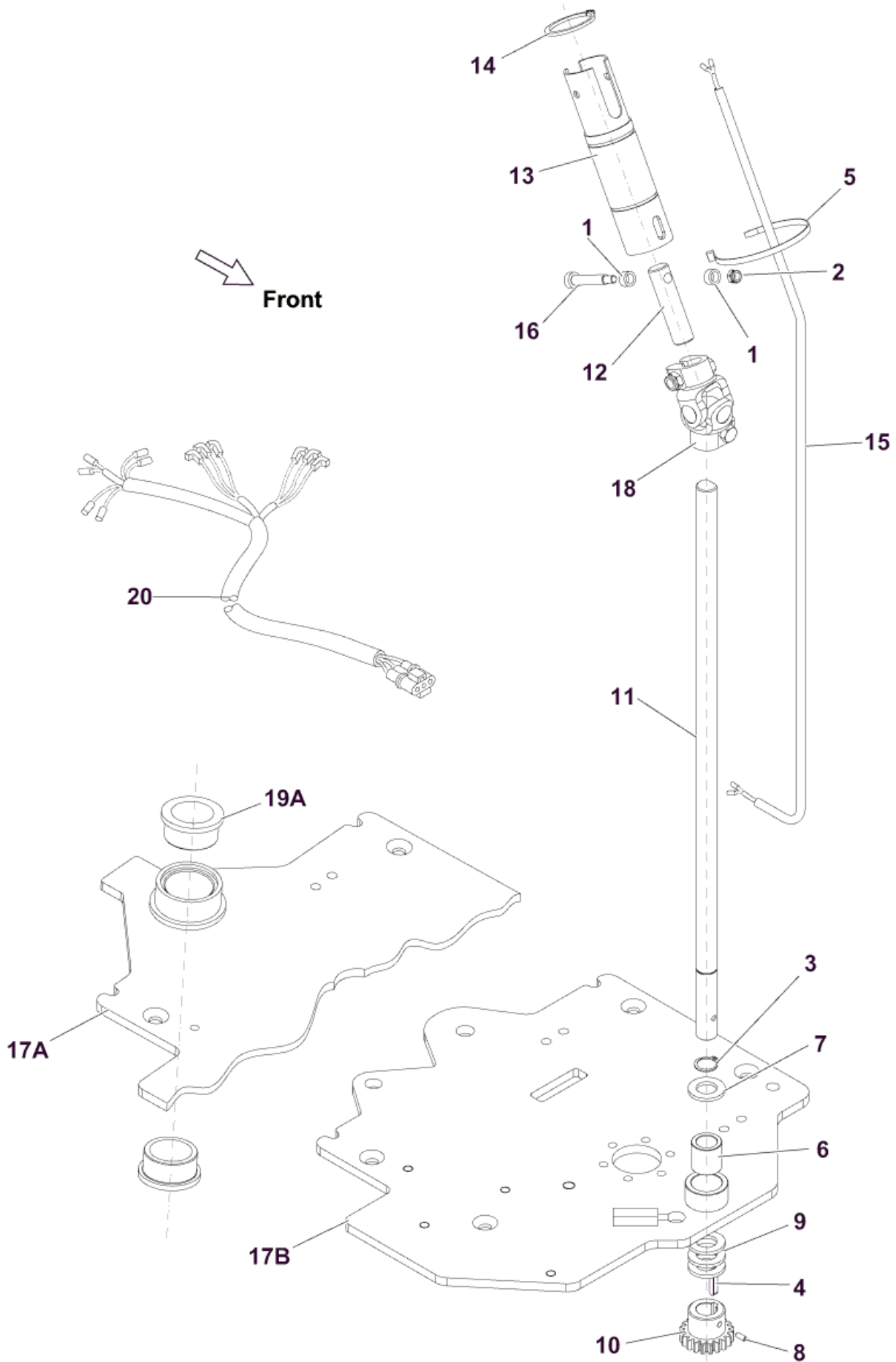
STEERING WHEEL SUPP ASSY

BR 652 - 752 - 752C

23-04-2015

Part List ID
BR652040

13



STEERING WHEEL SUPP ASSY

BR 652 - 752 - 752C

23-04-2015

Part List ID
BR652040

14

Pos	Part no.	Qty	Description	
4	1466146000	1	KEY 5X5X25 UNI6604A PKD	
10	909 5943 000	1	PINION STEERING	
11	9097840000	1	SHAFT STEERING	
12	9097844000	1	SHAFT STEERING	
13	9099425000	1	TUBE STEERING KIT	TSB IT 2011-076
15	9098094000	1	HARNESS STEERING WHEEL	
16	9098166000	1	SCREW SHOUL 8X40 M6 ISO7379 GEOMET 320A	
21	9098720000	1	HARDWARE STEERING SUPPORT KIT	Item 1-2-5-6-7-8-9-14-3-TSB IT 2011-076
17A	9097937000	1	PLATE STEERING SUPPORT	Only for BR 652 - BR 752
17B	9098412000	1	PLATE STEERING SUPPORT	Only for BR 752C
19A	9098216000	2	BEARING FLANGE IGLIDUR MFM-3038-020	Only for BR 652 - BR 752
20A	9098191000	1	HARNESS FOOT BOARD	Only for BR 652 - BR 752
20B	9097932000	1	HARNESS FOOT BOARD FOR CYL.	Only for BR 752C

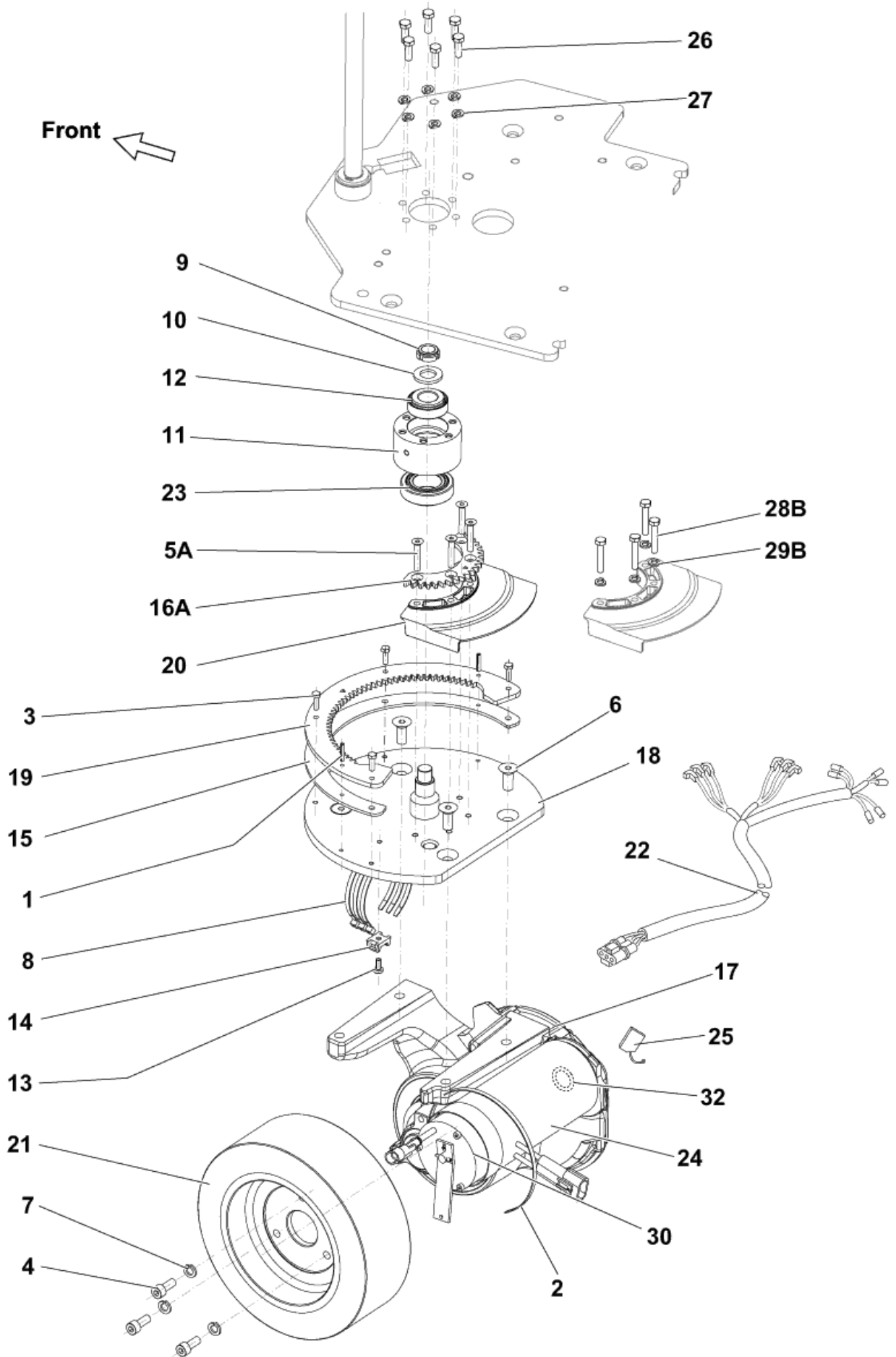
DRIVE WHEEL ASSY

BR 652 - 752 - 752C

23-04-2015

Part List ID
BR652050

15



DRIVE WHEEL ASSY

BR 652 - 752 - 752C

23-04-2015

Part List ID
BR652050

16

Pos	Part no.	Qty	Description	
11	909 5941 000	1	SUPPORT BALL BEARING	
12	909 5942 000	1	BEARING TAPER ROLLER 32004X	
15	9097807000	1	SPACER CROWN STEERING	
17	9100000074	1	MOTOR WHEEL 300W 24V KIT	
18	9097837000	1	BRACKET STEERING	
19	9097841000	1	CROWN STEERING Z100	
20	9098165000	1	PROTECTION DRIVE WHEEL WIRING	
21	9098407000	1	WHEEL DRIVE	
22	9098430000	1	HARNESS WHEEL MOTOR	
23	145 4691 000	1	BEARING TAPER ROLLER 32006	
24	9098625000	1	MOTOR ELECTRIC	when stock used up order 9100000076
24	9100000684	1	MOTOR ELECTRIC 300W 24V PKD	
25	9098627000	1	CARBON BRUSHES KIT 2 PCS	
30	9098626000	1	BRAKE ELECTRIC.RELEASED	
31	9098721000	1	HARDWARE DRIVE WHEEL KIT	Item 26-27-9-10-5-28-29-3-1-6-8-14-13-7-4-2
32	9098800000	1	OIL SEAL 15X32X7	For MOTOR WHEEL 9097834000
16A	9097809000	1	GEAR MAIN Z45	Only for BR 652 - BR 752

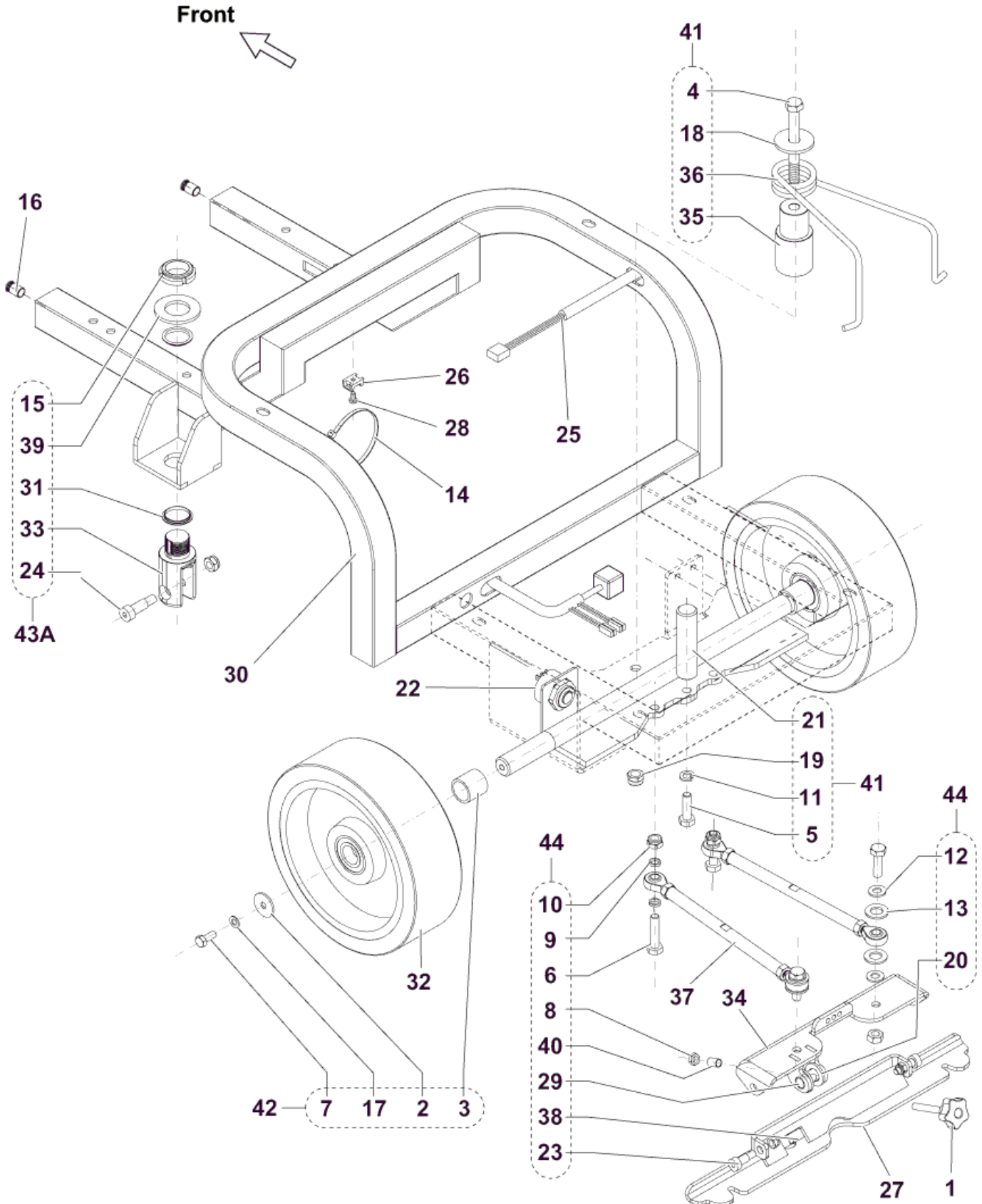
CHASSIS SYSTEM

BR 652 - 752 - 752C

23-04-2015

Part List ID
BR652060

17



CHASSIS SYSTEM

BR 652 - 752 - 752C

23-04-2015

Part List ID
BR652060

18

Pos	Part no.	Qty	Description	
1	9099136000	1	HANDWHEEL M8x55	
22	909 6126 000	1	BUZZER 5-32V	
25	9098236000	1	HARNESS REAR MACHINE	
27	9098390000	1	SUPPORT SQUEEGEE DOWN	
30	9097798000	1	CHASSIS	
32	9100000772	2	WHEEL D.254 80SH GREY PKD	
34	9097827000	1	SUPPORT SQUEEGEE UPPER	
37	9097931000	2	ROD EYE M10	
41	9098722000	1	CENTRING SQUEEGEE KIT	Item 4-18-36-35-21-19-11-5
42	9098723000	1	FIXING WHEELS KIT	Item 7-17-2-3
44	9098725000	1	HARDWARE TIE-ROD SQUEEGEE KIT	Item 10-9-6-8-40-29-38-23-12-13-20
43A	9098724000	1	BRACKET TURNING KIT	Item 24-33-31-39-15 (Only for BR 652 - BR 752)

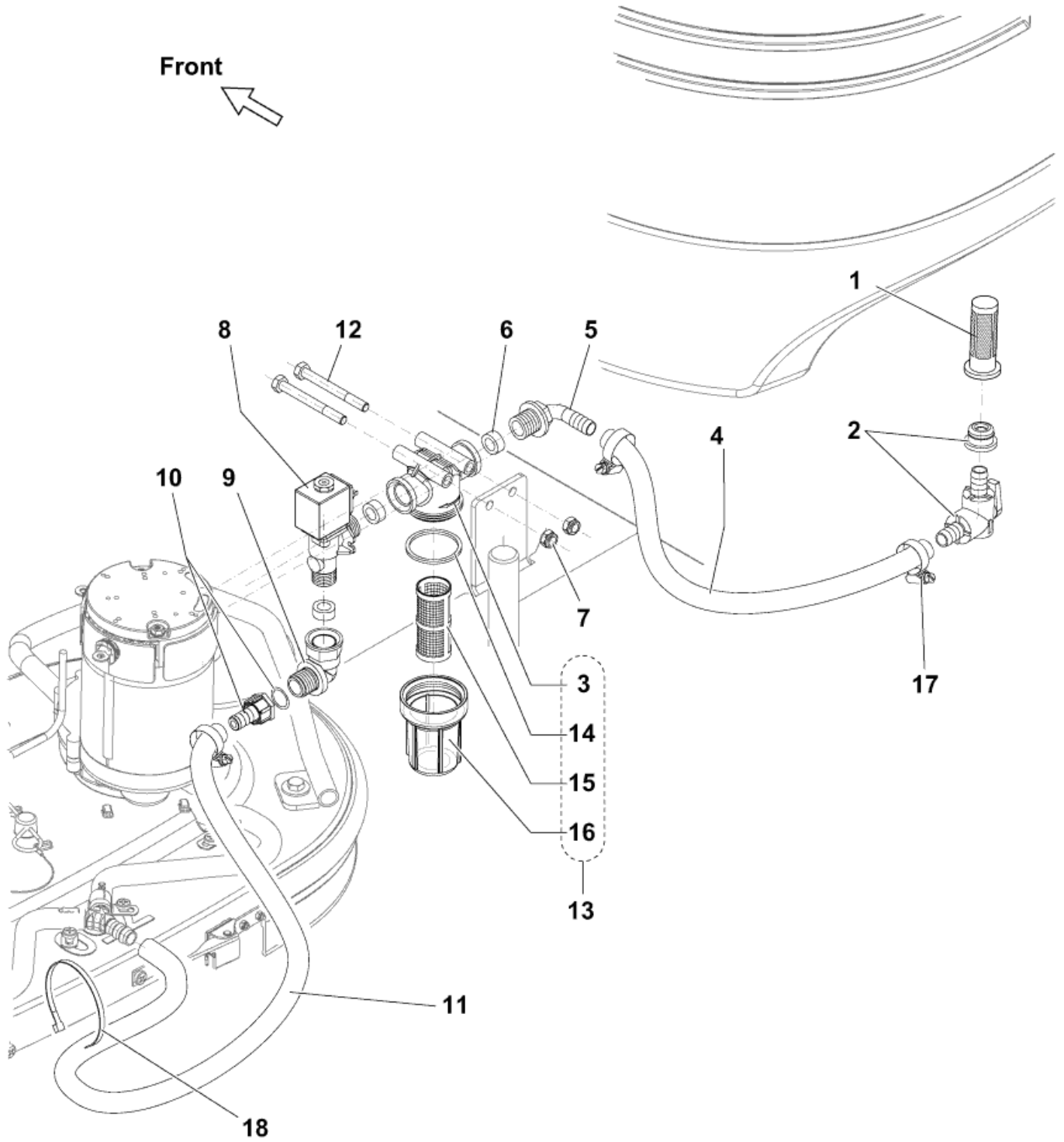
SOLUTION SYSTEM

BR 652 - 752 - 752C

23-04-2015

Part List ID
BR652070

19



SOLUTION SYSTEM

BR 652 - 752 - 752C

23-04-2015

Part List ID
BR652070

20

Pos	Part no.	Qty	Description	
1	9096916000	1	FILTER SOLUTION TANK	Optional
2	9097626000	1	VALVE BALL ELBOW D.13 KIT	
4	9098120000	1	HOSE PVC W/SPIRAL D12X18 L.323MM PKD	
5	909 6087 000	1	ELBOW CURVED 90. M 1/2	
6	9100000622	3	GASKET RUBBER D.11.5x19x5 BLACK PKD	
8	909 6555 000	1	SOLENOID VALVE 24V	
9	909 6086 000	1	ELBOW CURVED M/F	
10	9097115000	1	HOLDER RUBBER 1/2 FEMALE D.13	
11	9097821000	1	HOSE PVC W/SPIRAL D12X18 L.1020MM PKD	
13	9098115000	1	FILTER WATER	
14	9097943000	1	GASKET FOR WATER FILTER	
15	9097944000	1	FILTER NET SS 50 MESH FOR WATE	
16	9097945000	1	COVER TRASPARENT FOR WATER FIL	
19	9098726000	1	HARDWARE SOLENOID VALVE KIT	Item 12-7-17-18

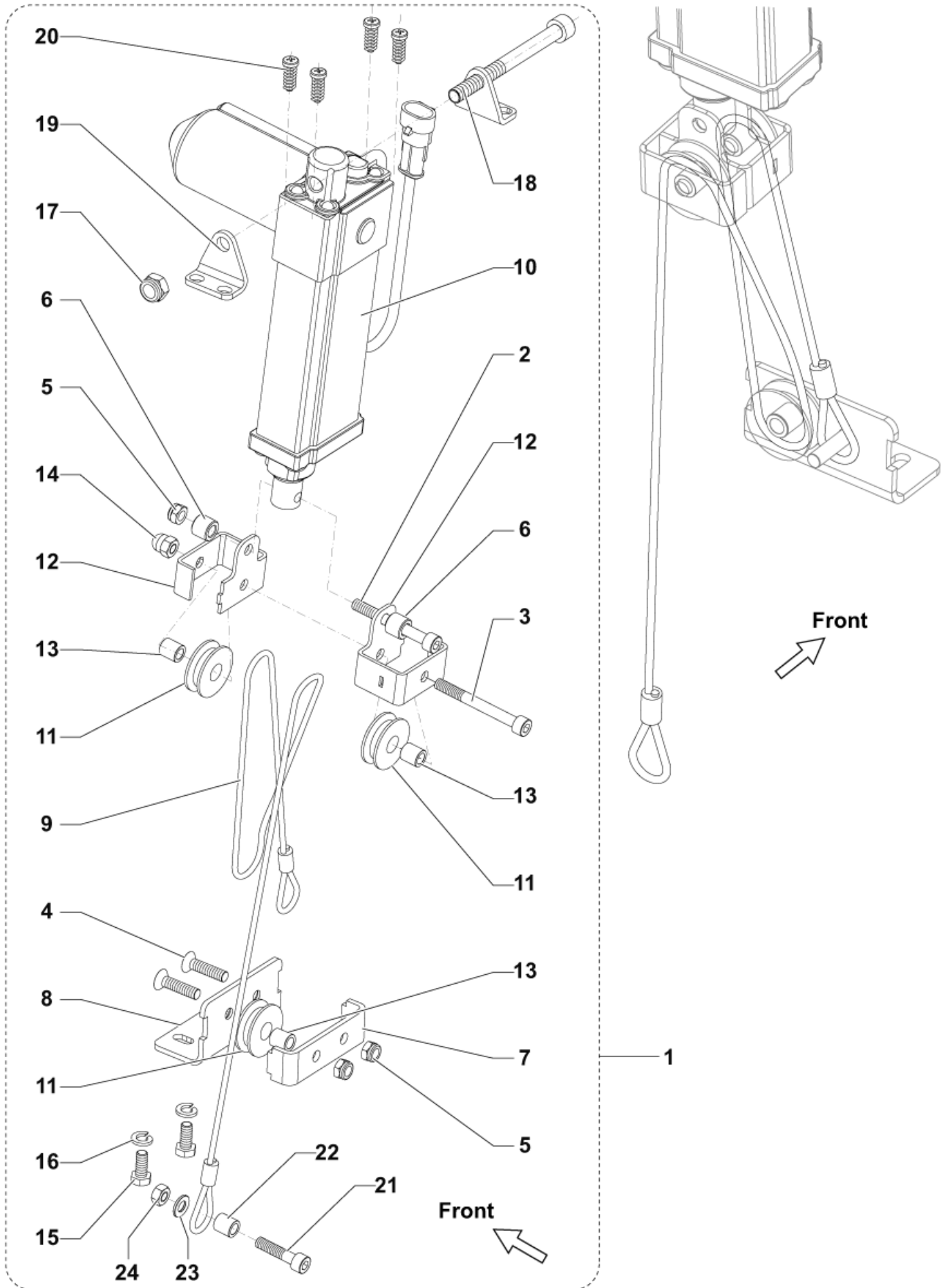
SQUEEGEE RAISING ASSY

BR 652 - 752 - 752C

23-04-2015

Part List ID
BR652080

21



SQUEEGEE RAISING ASSY

BR 652 - 752 - 752C

23-04-2015

Part List ID
BR652080

22

Pos	Part no.	Qty	Description
1	9098708000	1	SQUEEGEE LIFTING KIT
9	9097933000	1	CABLE SQUEEGEE LIFTING
10	9100000682	1	ACTUATOR LINEAR 24V DC STRK 100MM PKD
11	9098248000	3	PULLEY PLASTIC D.30

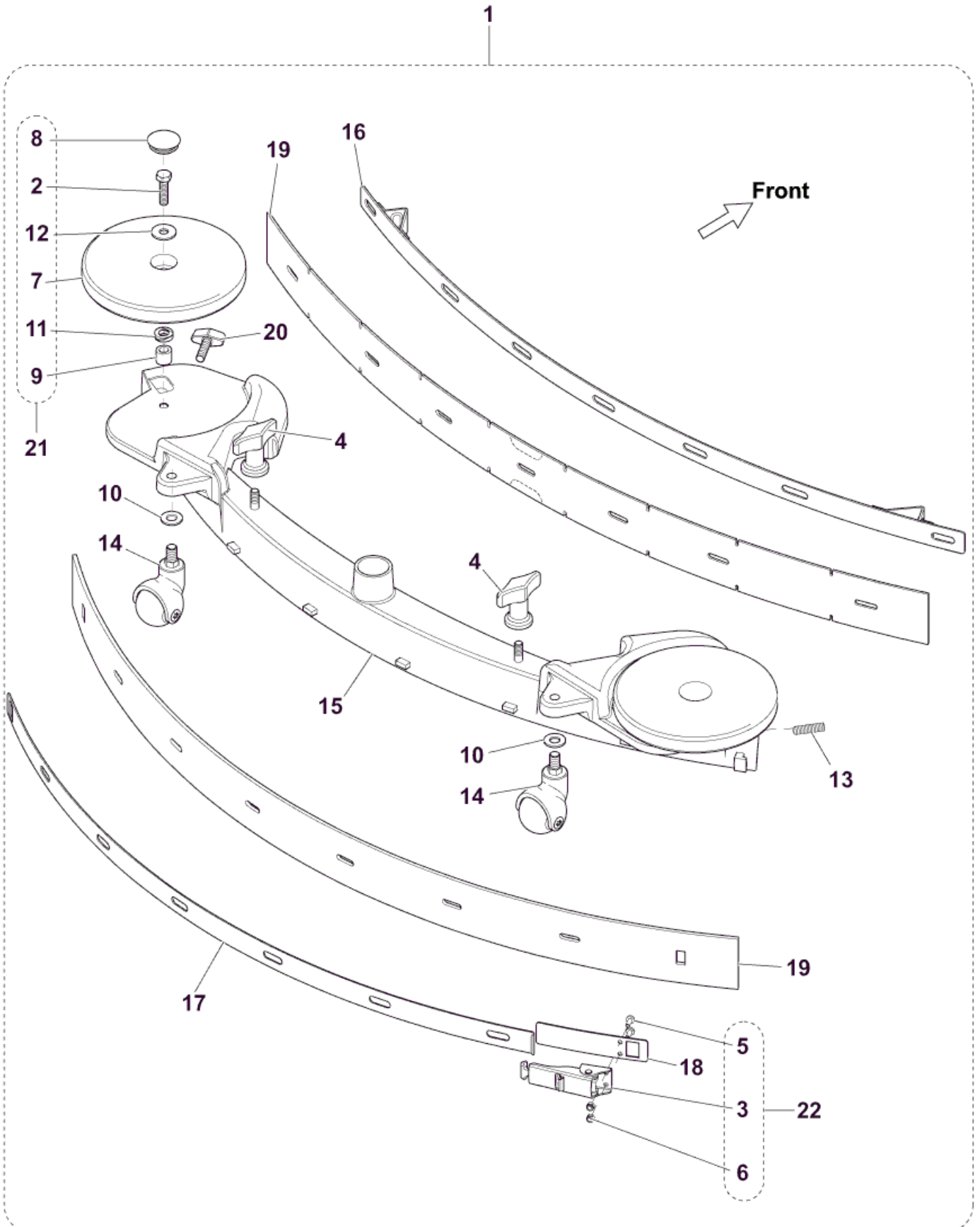
SQUEEGEE SYSTEMS

BR 652 - 752 - 752C

23-04-2015

Part List ID
BR652090

23



SQUEEGEE SYSTEMS

BR 652 - 752 - 752C

23-04-2015

Part List ID
BR652090

24

Pos	Part no.	Qty	Description	
1	9098728000	1	SQUEEGEE CPL PU 890MM/35 KIT	
4	9097637000	1	SQUEEGEE FIXING KIT	
10	33005916	2	WASHER M10 UNI6592	
13	909 6600 000	1	SCREW GRUB M8X30 CUP POINT SS ISO4029	
14	9099163000	2	WHEEL CASTOR D.42	
15	9098379000	1	WELDMENT SQUEEGEE TOOL890MM/35	
16	9098380000	1	STRAP FRONT SQUEEGEE 35 INC	
17	9098381000	1	STRAP SKIRT REAR RIGHT 35 INC.	
18	9098382000	1	STRAP SKIRT REAR LEFT 35 INC	
19	9097804000	1	BLADE SQUEEGEE 890MM 35 GUM KIT	Optional
19	9099855000	1	BLADES PU 890MM/35 KIT	
20	9100000791	1	KNOB M8X30 THD STUD SS PKD	
21	909 6887 000	2	ROLLER BUMPER KIT	Item 9-11-7-12-2-8
22	909 6394 000	1	LATCH SQUEEGEE KIT	Item 3-5-6

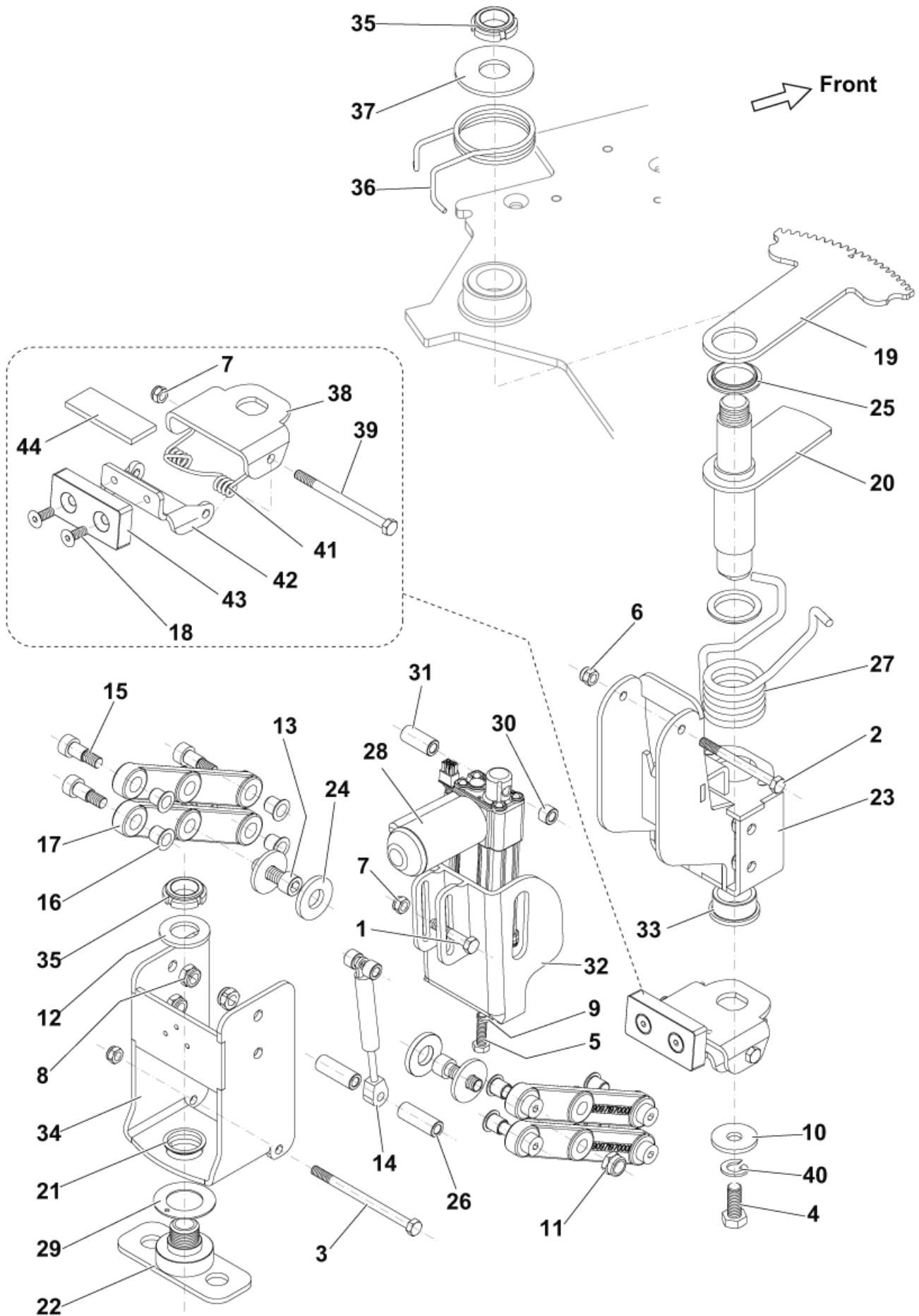
DISC BRUSH DECK SUPP. ASSY

BR 652 - 752 - 752C

23-04-2015

Part List ID
BR652100

25



DISC BRUSH DECK SUPP. ASSY

BR 652 - 752 - 752C

23-04-2015

Part List ID
BR652100

26

Pos	Part no.	Qty	Description
14	909 5637 000	1	SPRING GAS
15	909 6520 000	8	SCREW SHOUL 12X16 M10 ISO7379 GEOMET320A
16	9097008000	8	BUSH FLANGED
17	9097197000	4	LEVER
19	9097810000	1	GEAR SLAVE
20	9097811000	1	PIN DRIVEN CROWN
21	9097812000	1	BEARING FLANGE IGLIDUR GFM-3032-04
22	9097819000	1	BRACKET ROTATING SUPPORT DECK
23	9097822000	1	SUPPORT JACK
24	9097824000	2	BUSH D.18.2X40
25	9097835000	2	BEARING FLANGE IGLIDUR GFM-3539-058
26	9097836000	2	SPACER D. 8.5X15X42
27	9097850000	1	SPRING DRAGGING DECK
29	9097854000	1	WASHER THRUST GTM 3254-015
30	9097938000	3	SPACER D. 8.5X15X10
31	9097939000	1	SPACER D. 8.5X15X33
32	9098176000	1	BRACKET LOWER JACK MOTOR
33	9098216000	1	BEARING FLANGE IGLIDUR MFM-3038-020
34	9098220000	1	BRACKET SUPPORT DECK
35	33005721	2	NUT RING M25X1.5 KMA8 LIGHT SERIES
36	9097851000	1	SPRING ZERO SETTING BRUSH DECK
37	9098239000	1	WASHER FLAT D.25.5X65X4
38	9098195000	1	FLANGE UP DRAGGING
41	9098197000	1	SPRING INSERTION DRAGGING
42	9098196000	1	FLANGE DOWN DRAGGING
43	9097813000	1	GUIDE DRAGGING DECK
44	9098857000	1	RUBBER ANTISHOCK
45	9098727000	1	HARDWARE BRUSH DECK SUPPORT KI

Item 40-18-39-6-2-13-1-7-9-5-10-4-11-3-8-12

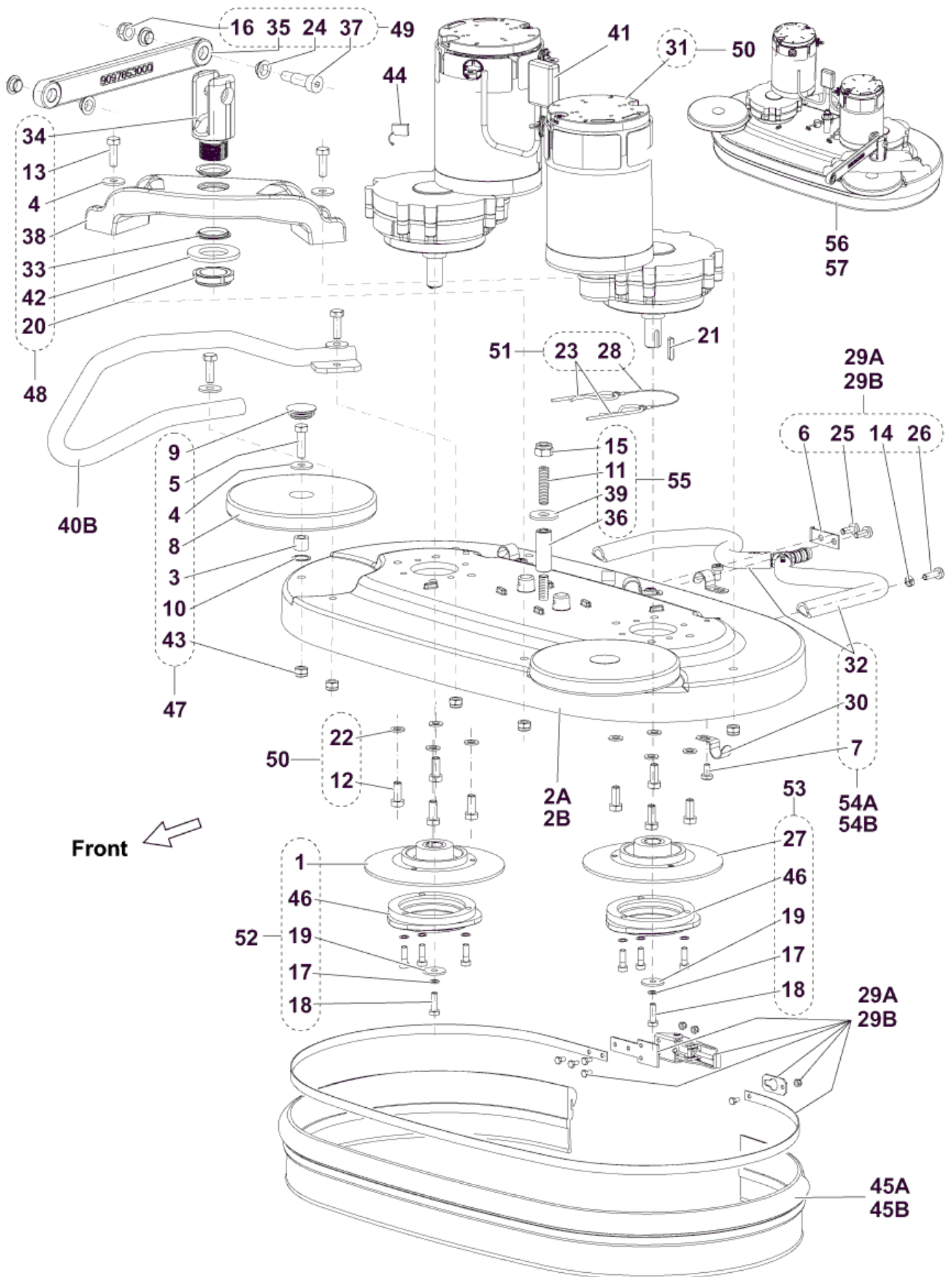
DISC BRUSH DECKS SYSTEMS

BR 652 - 752 - 752C

23-04-2015

Part List ID
BR652110

27



DISC BRUSH DECKS SYSTEMS

BR 652 - 752 - 752C

23-04-2015

Part List ID
BR652110

28

Pos	Part no.	Qty	Description	
21	1466147000	2	KEY 5X5X20 UNI6604A PKD	
2A	9099414000	1	DECK BRUSH 650MM	For BR 652
2B	9099415000	1	DECK BRUSH 750MM	For BR 752
41	9098374000	1	HARNESS BRUSH DECK	
41	9098761000	1	CONNECTOR 50A RED	
44	909 5380 000	2	CARBON BRUSHES W/HOLDER KIT 4PCS	FOR OLD MOTOR 9097638000
44	9100000421	2	CARBON BRUSHES W/HOLDER KIT	FOR MOTOR 9100000309
46	L08812480	2	HUB.BRUSH	
47	909 6887 000	2	ROLLER BUMPER KIT	Item 4-5-9-8-3-10-43
48	9098730000	1	SPACER SIDE ARM KIT	Item 13-34-4-38-33-42-20
49	9098731000	1	ARM SIDE KIT	Item 16-24-35-37
50	9100000309	2	REDUCTION GEARMOTOR 400W 24V KIT	Item 31-21-22-12-44
51	909 6354 000	1	SPLIT PINS W/CABLE KIT	Item 23-28
52	9097640000	1	HOLDER POLYGONAL RIGHT KIT	Item 1-19-17-18
53	9097639000	1	HOLDER POLYGONAL LEFT KIT	Item 27-19-17-18
55	9098732000	1	FIXING DECK KIT	Item 15-11-39-36
56	9098741000	1	DECK BRUSH 650MM/26 KIT	
57	9098742000	1	DECK BRUSH 750MM/28 KIT	
29A	909 5398 000	1	SPLASH GUARD FIXING KIT	For BR 652
29B	909 5407 000	1	SPLASH GUARD FIXING KIT	For BR 752
40B	9098243000	1	PROTECTION BRUSH DECK 750	For BR 752
45A	909 5224 000	1	SPLASH GUARD DECK 650MM/26	For BR 652
45A	9097474000	1	SPLASH GUARD W/BRISTLES	Optional for BR 652
45B	909 5345 000	1	SPLASH GUARD DECK 750MM/30	For BR 752
45B	9097475000	1	SPLASH GUARD W/BRISTLES	Optional for BR 752
54A	9097644000	1	HOSE WATER BRUSH DECK KIT	Item 7-30-32 for BR 652
54B	9097645000	1	HOSE WATER BRUSH DECK 750MM/28 KIT	Item 7-30-32 for BR 752

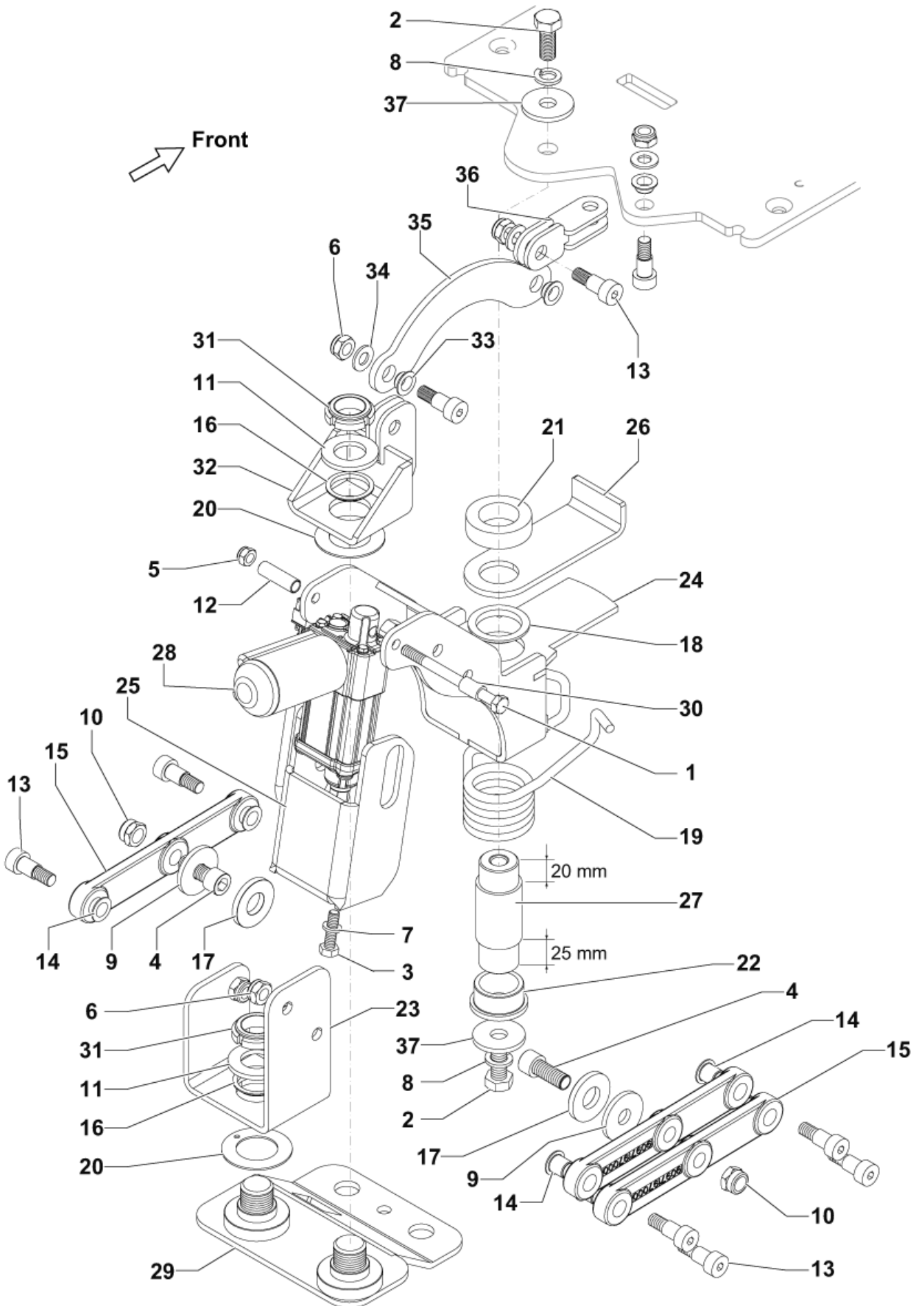
CYL. BRUSH DECK SUPP. ASSY

23-04-2015

Part List ID
BR652120

BR 652 - 752 - 752C

29



CYL. BRUSH DECK SUPP. ASSY

BR 652 - 752 - 752C

23-04-2015

Part List ID
BR652120

30

Pos	Part no.	Qty	Description
12	9097920000	1	SPACER D. 8.5X15X38
14	9097008000	6	BUSH FLANGED
15	9097197000	3	LEVER
16	9097812000	2	BEARING FLANGE IGLIDUR GFM-3032-04
17	9097824000	2	BUSH D.18.2X40
18	9097835000	1	BEARING FLANGE IGLIDUR GFM-3539-058
19	9097850000	1	SPRING DRAGGING DECK
20	9097854000	2	WASHER THRUST GTM 3254-015
21	9098121000	1	SPACER D.31X50X14.5 NYLON
22	9098216000	1	BEARING FLANGE IGLIDUR MFM-3038-020
23	9098409000	1	BRACKET SUPPORT CYL.DECK
24	9098410000	1	SUPPORT JACK CYL.DECK
25	9098411000	1	BRACKET LOWER JACK MOTOR CYL.D
26	9098415000	1	PLATE SPRING SUPPORT
27	9098416000	1	PIN SUPPORT JACK MOTOR CYL.DEC
28	910000683	1	ACTUATOR LINEAR 24V DC STRK 46MM PKD
29	9098418000	1	BRACKET ROTATING SUPPORT CYL.D
30	145 2381 000	1	BUSH
31	33005721	2	NUT RING M25X1.5 KMA8 LIGHT SERIES
32	9098420000	1	SUPPORT ROTATING CYL.DECK
33	146 0549 000	3	BUSH FLANGED
35	9098419000	1	ARM SIDE CYLINDRICAL DECK
36	9098421000	1	ARTICULATED JOINT FOR CYL DECK
38	9098733000	1	HARDWARE CYL.BRUSH DECK SUPPOR

Item 37-34-13-5-10-4-9-6-11-2-8-3-7-1

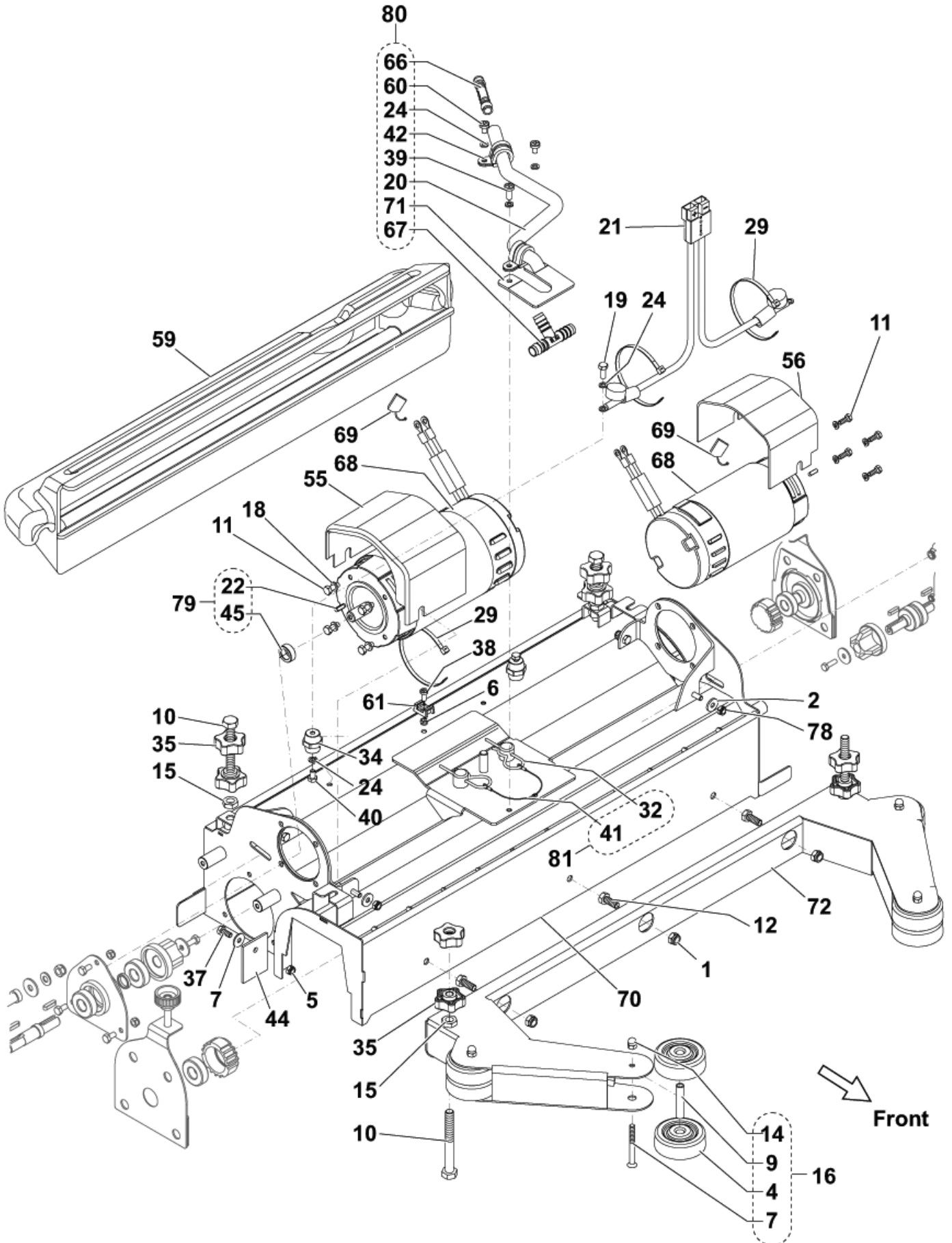
CYL. BRUSHES DECK 1

BR 652 - 752 - 752C

23-04-2015

Part List ID
BR652130

31



CYL. BRUSHES DECK 1

BR 652 - 752 - 752C

23-04-2015

Part List ID
BR652130

32

Pos	Part no.	Qty	Description
0	9098761000	1	CONNECTOR 50A RED
16	9098736000	4	ROLLER BUMPER KIT Item 14-4-9-7
21	9098658000	1	HARNESS CYL.DECK
23	56407551	2	HUB
26	145 0461 000	8	NUT WING M6
30	145 2361 000	6	BEARING BALL 6202 2RS1
34	146 0708 000	2	INSULATOR M6 WHITE
35	146 1036 000	8	KNOB
43	909 5728 000	2	HUB BRUSH
44	909 5752 000	2	GUARD SPLASH CYL.DECK
48	909 5758 000	2	PULLEY
49	909 5761 000	1	BELT POLY-V
50	909 5762 000	2	ROLLER BELT TENSIONER
51	909 5763 000	4	BEARING BALL 6201 2RS1
55	909 5802 000	1	CRANKCASE MOTOR PROTECT.
56	909 5803 000	1	CRANKCASE MOTOR PROTECT.
57	909 5964 000	2	KNOB M8
59	909 6225 000	1	CONTAINER WASTE
61	909 6595 000	1	HOLDER.FLAT TIE
62	909 6730 000	2	PULLEY POLY-V
63	909 6731 000	1	BELT POLY-V
64	909 6785 000	1	CRANKCASE.BELT PROTECTIONRIGHT
65	909 6786 000	1	CRANKCASE.BELT PROTECTIONLEFT
68	9099858000	2	MOTOR ELECTRIC 600W 24V KIT
69	L08603949	2	CARBON BRUSHES KIT 4 PCS
70	9097847000	1	FRAME CYLINDRICAL DECK 750
72	9097936000	1	PROTECTION CYL.BRUSH DECK 750
73	9097952000	1	SUPPORT CYL.DECK LEFT SIDE SKIRT
74	9097956000	1	SUPPORT CYL.DECK RIGHT SIDE SKIRT
75	9097959000	2	PLATE SIDE SKIRT CYL.DECK
76	9097960000	2	SKIRT SIDE CYL.DECK
79	9098734000	2	BELT TRANSMISSION KIT Item 3-5-13-17-22-25-27-28-31-30-33-36-43-45-46-47
80	9098735000	1	PIPE WATER KIT Item 20-39-42-60-66-67-71
81	909 6354 000	1	SPLIT PINS W/CABLE KIT Item 32-41
82	9098737000	2	SUPPORT BRUSH KIT Item 58-30-23
83	9098738000	1	HARDWARE CYL.BRUSH DECK KIT Item 1-2-6-8-10-11-12-15-18-19-24-29-37-38-40-78

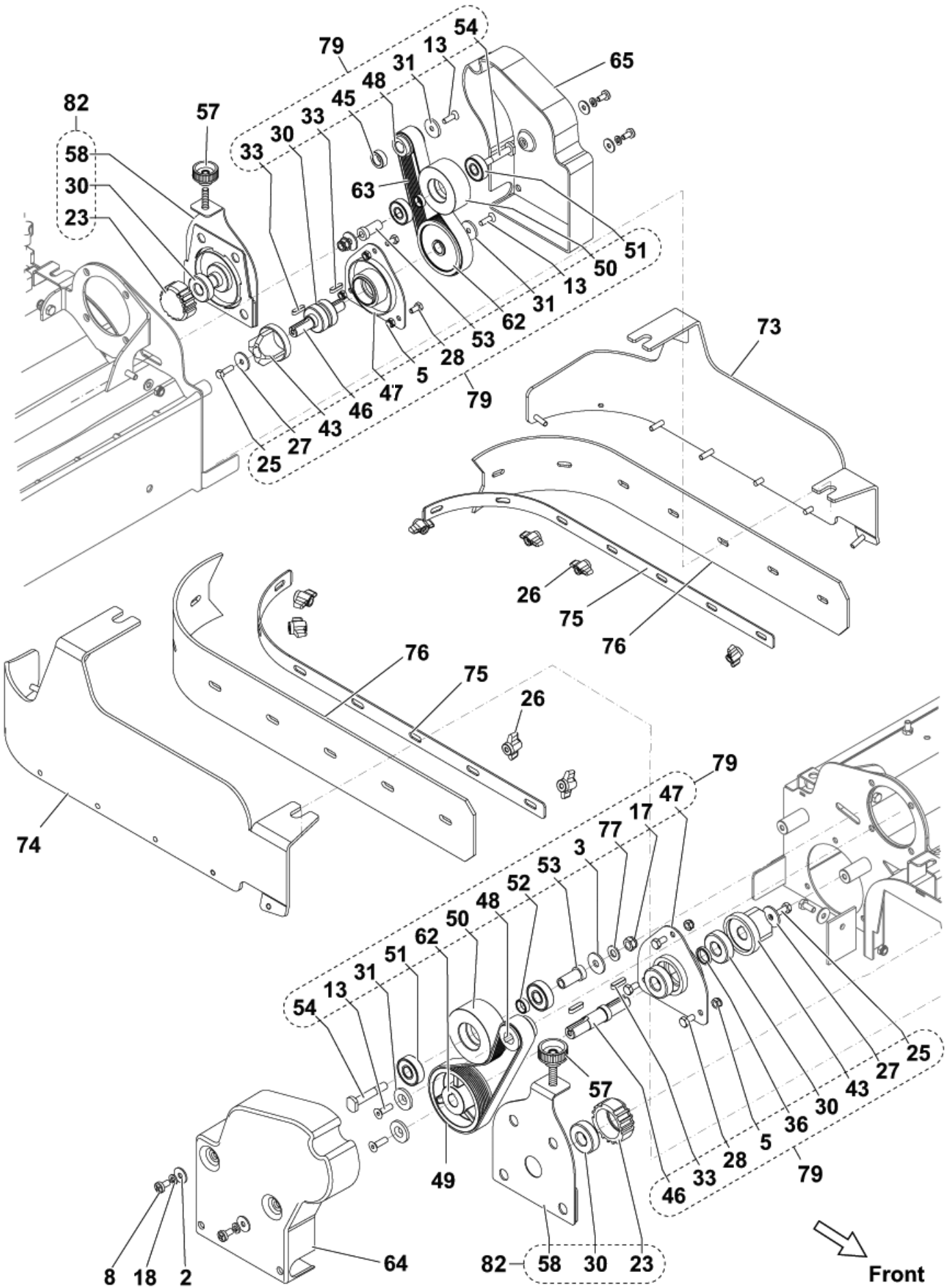
CYL. BRUSHES DECK 2

BR 652 - 752 - 752C

23-04-2015

Part List ID
BR652140

33



CYL. BRUSHES DECK 2

BR 652 - 752 - 752C

23-04-2015

Part List ID
BR652140

34

Pos	Part no.	Qty	Description	
0	9098761000	1	CONNECTOR 50A RED	
16	9098736000	4	ROLLER BUMPER KIT	Item 14-4-9-7
21	9098658000	1	HARNESS CYL.DECK	
23	56407551	2	HUB	
26	145 0461 000	8	NUT WING M6	
30	145 2361 000	6	BEARING BALL 6202 2RS1	
34	146 0708 000	2	INSULATOR M6 WHITE	
35	146 1036 000	8	KNOB	
43	909 5728 000	2	HUB BRUSH	
44	909 5752 000	2	GUARD SPLASH CYL.DECK	
48	909 5758 000	2	PULLEY	
49	909 5761 000	1	BELT POLY-V	
50	909 5762 000	2	ROLLER BELT TENSIONER	
51	909 5763 000	4	BEARING BALL 6201 2RS1	
55	909 5802 000	1	CRANKCASE MOTOR PROTECT.	
56	909 5803 000	1	CRANKCASE MOTOR PROTECT.	
57	909 5964 000	2	KNOB M8	
59	909 6225 000	1	CONTAINER WASTE	
61	909 6595 000	1	HOLDER.FLAT TIE	
62	909 6730 000	2	PULLEY POLY-V	
63	909 6731 000	1	BELT POLY-V	
64	909 6785 000	1	CRANKCASE.BELT PROTECTIONRIGHT	
65	909 6786 000	1	CRANKCASE.BELT PROTECTIONLEFT	
68	9099858000	2	MOTOR ELECTRIC 600W 24V KIT	
69	L08603949	2	CARBON BRUSHES KIT 4 PCS	
70	9097847000	1	FRAME CYLINDRICAL DECK 750	
72	9097936000	1	PROTECTION CYL.BRUSH DECK 750	
73	9097952000	1	SUPPORT CYL.DECK LEFT SIDE SKIRT	
74	9097956000	1	SUPPORT CYL.DECK RIGHT SIDE SKIRT	
75	9097959000	2	PLATE SIDE SKIRT CYL.DECK	
76	9097960000	2	SKIRT SIDE CYL.DECK	
79	9098734000	2	BELT TRANSMISSION KIT	Item 3-5-13-17-22-25-27-28-31-30-33-36-43-45-46-47
80	9098735000	1	PIPE WATER KIT	Item 20-39-42-60-66-67-71
81	909 6354 000	1	SPLIT PINS W/CABLE KIT	Item 32-41
82	9098737000	2	SUPPORT BRUSH KIT	Item 23-33-58
83	9098738000	1	HARDWARE CYL.BRUSH DECK KIT	Item 1-2-6-8-10-11-12-15-18-19-24-29-37-38-40-78

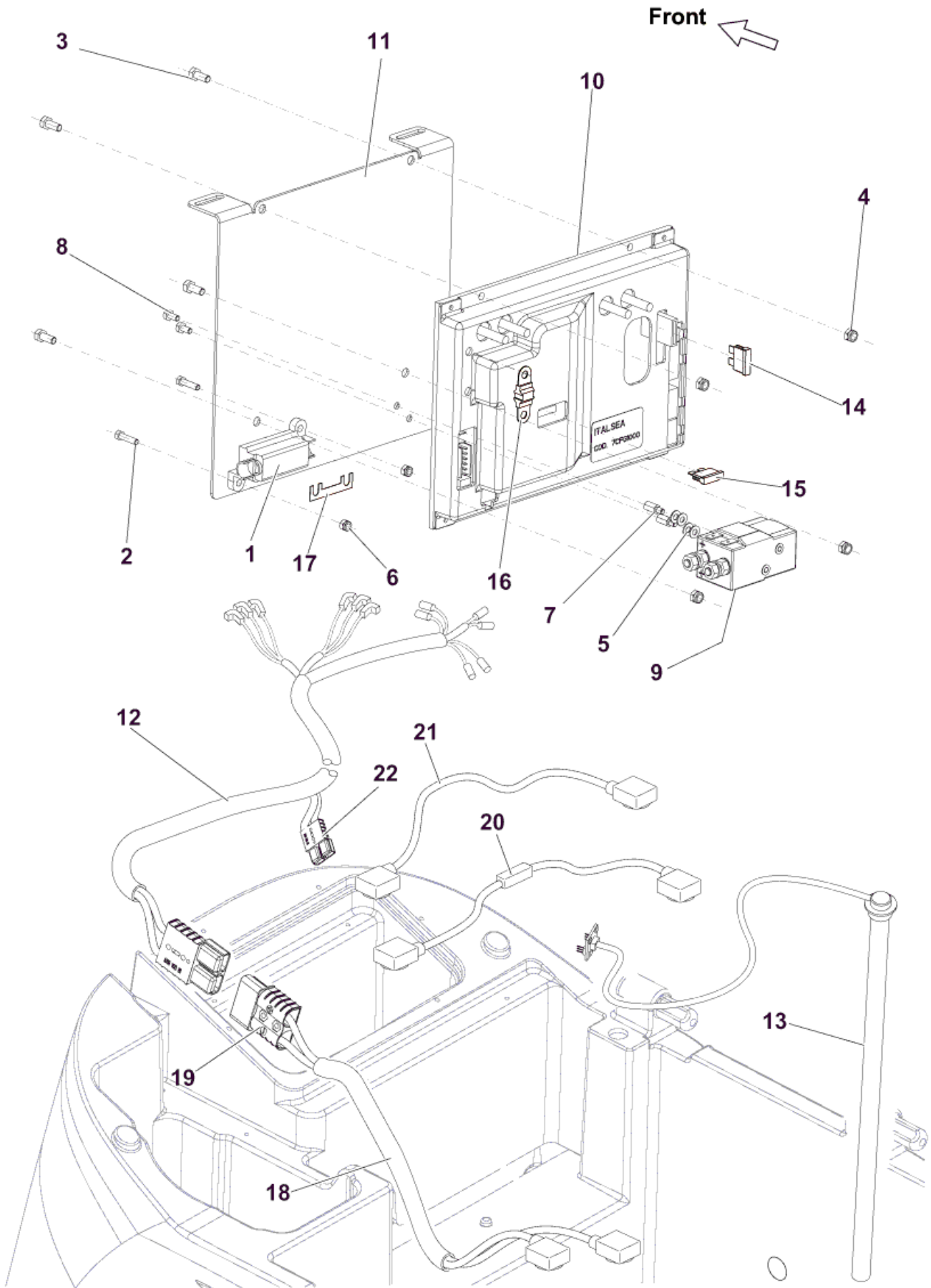
ELECTRICAL COMPONENTS

BR 652 - 752 - 752C

23-04-2015

Part List ID
BR652150

35



ELECTRICAL COMPONENTS

BR 652 - 752 - 752C

23-04-2015

Part List ID
BR652150

36

Pos	Part no.	Qty	Description	
1	145 8046 000	1	HOLDER FUSE	
9	9097208000	1	SWITCH ELECTROMAGNETIC 24V	
10	9100000024	1	CARD ELECTRONIC TRACTION KIT	SEE TSB FC 2013-117
10	9100000183	1	CARD ELECTRONIC TRACTION/FUNCTIONS PKD	before SN 3510133204431
11	9097860000	1	PLATE FIXING ELECTRONIC CARD	
12	9098190000	1	HARNESS EL.COMPON.BOX	
12	9099681000	1	HARNESS ELCTRICAL COMPONENTS BOX	
13	9098897000	1	SENSOR PRESSURE KIT	
14	145 8368 000	1	FUSE BLADE 3A	
15	145 9853 000	1	FUSE BLADE 15A	
16	9097830000	1	FUSE MIDIFUSE 100A	
17	145 9854 000	1	FUSE 50A	
18	9099694000	1	HARNESS BATTERY	
19	9098762000	1	CONNECTOR 120A RED	
20	9098526000	1	CABLE BATTERY WITH FUSE	
21	9097590000	1	CABLE BATTERY INTERCONNECTION	
22	9098761000	1	CONNECTOR 50A RED	
23	9098739000	1	HARDWARE ELECTRIC COMPONENTS K	Item 2-3-4-5-6-7-8
24	9099203000	1	CONNECTOR 3 WAYS WITH BRIDGE	

POSITIONS 12: 9098190000 before serial number 3510122204474 - SEE TSB IT 2012-087

POSITIONS 12: 9099681000 starting from serial number 3510122204474 - SEE TSB IT 2012-087

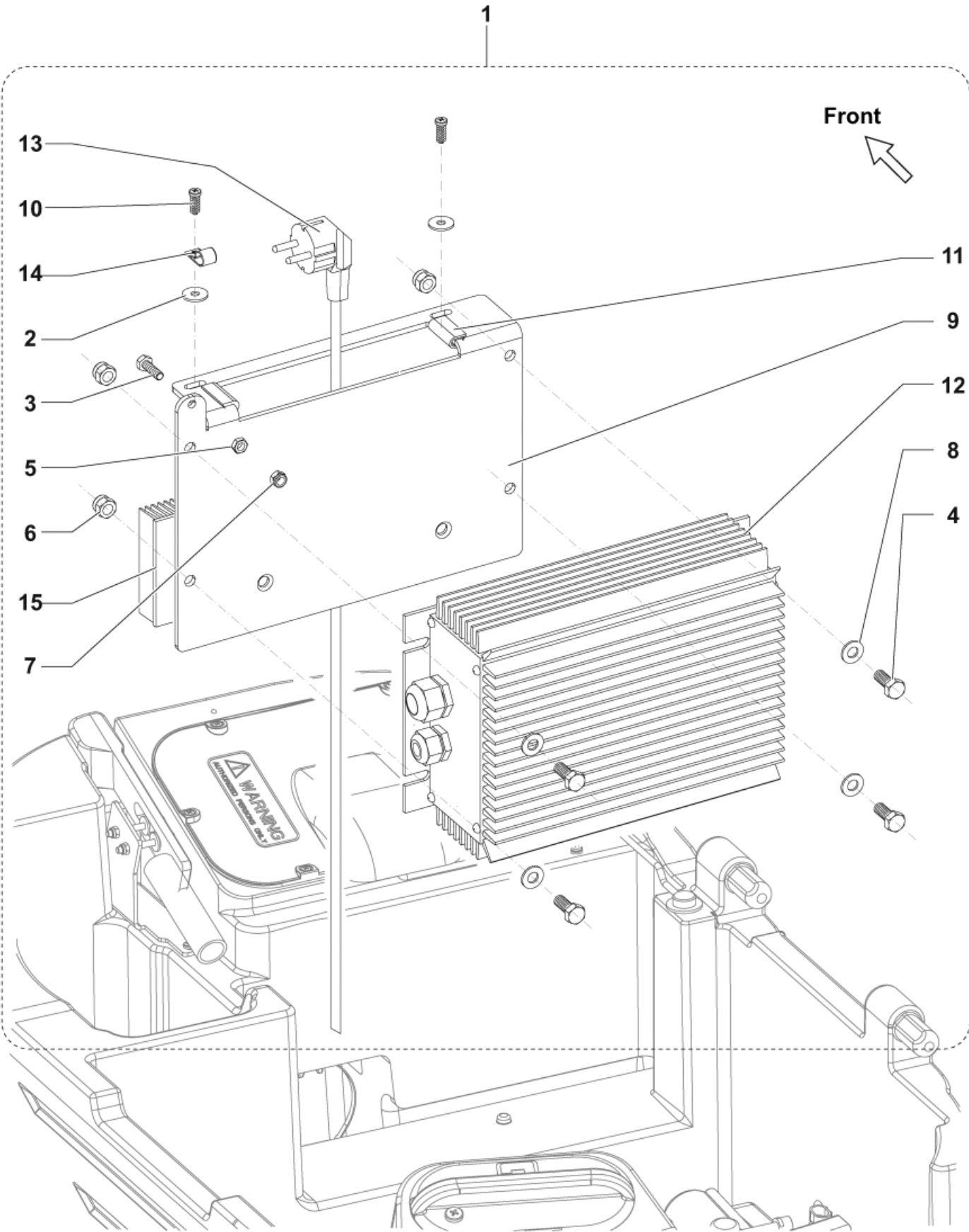
BATTERY CHARGER

BR 652 - 752 - 752C

23-04-2015

Part List ID
BR652160

37



BATTERY CHARGER

BR 652 - 752 - 752C

23-04-2015

Part List ID
BR652160

38

Pos	Part no.	Qty	Description	
1	9098198000	1	CHARGER BATT. ON BOARD 24V 20A 230V KIT	Optional - Inst.Instr. 9098215000
9	910000661	1	PLATE BATTERY CHARGER PKD	
12	9099680000	1	CHARGER BATT. ON BOARD 24V 20A 230V	SEE TSB IT 2012-088
13	909 5676 000	1	CABLE EXTENSION UK PLUG L.1000MM	
13	9098676000	1	CABLE EXTENSION EU PLUG L.2000MM	
15	9098859000	1	HEATSINK	

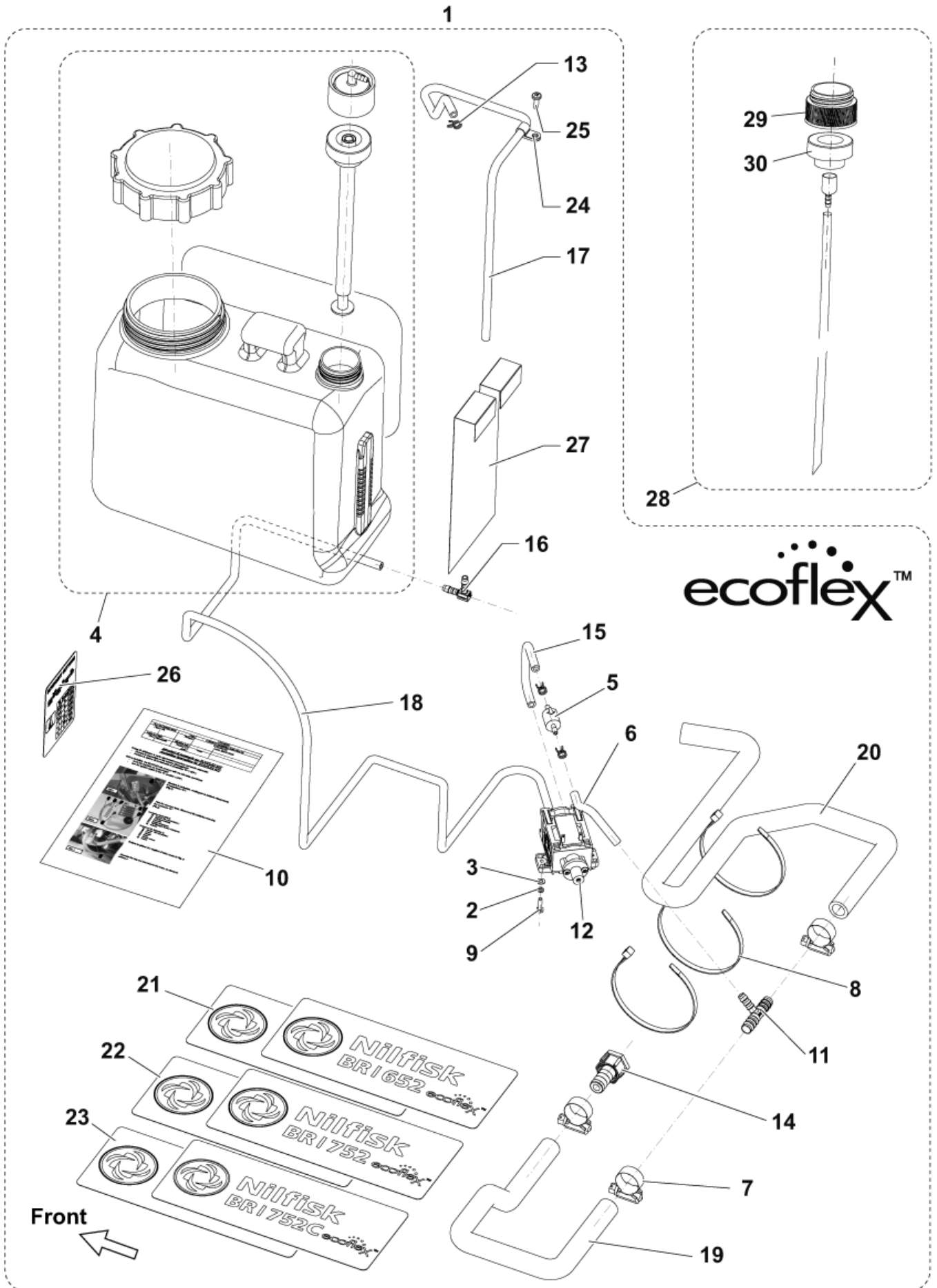
ECOFLEX

BR 652 - 752 - 752C

23-04-2015

Part List ID
BR652170

39



ECOFLEX

BR 652 - 752 - 752C

23-04-2015

Part List ID
BR652170

40

Pos	Part no.	Qty	Description	
1	9097818000	1	ECOFLEX CHEMICAL KIT BR652/752	Optional - Inst.Instr. 9098219000
4	909 6903 000	1	TANK CHEMICAL KIT	
5	56315522	1	CHECK VALVE 1/8 BARB 125PSI	
12	909 6183 000	1	PUMP CHEMICAL MIX	
28	9098025000	1	ADAPTER CHEMICAL KIT	Optional
29	9097023000	1	ADAPTER CHEMICAL TANK	
30	9097022000	1	SENSOR CHEMICAL MIX LEVEL	
K1	9099948000	1	HOSES ECOFLEX SYSTEM KIT	Not Shown (pos.2-6-7-8-11-13-14-15-16-17-18-19-20-

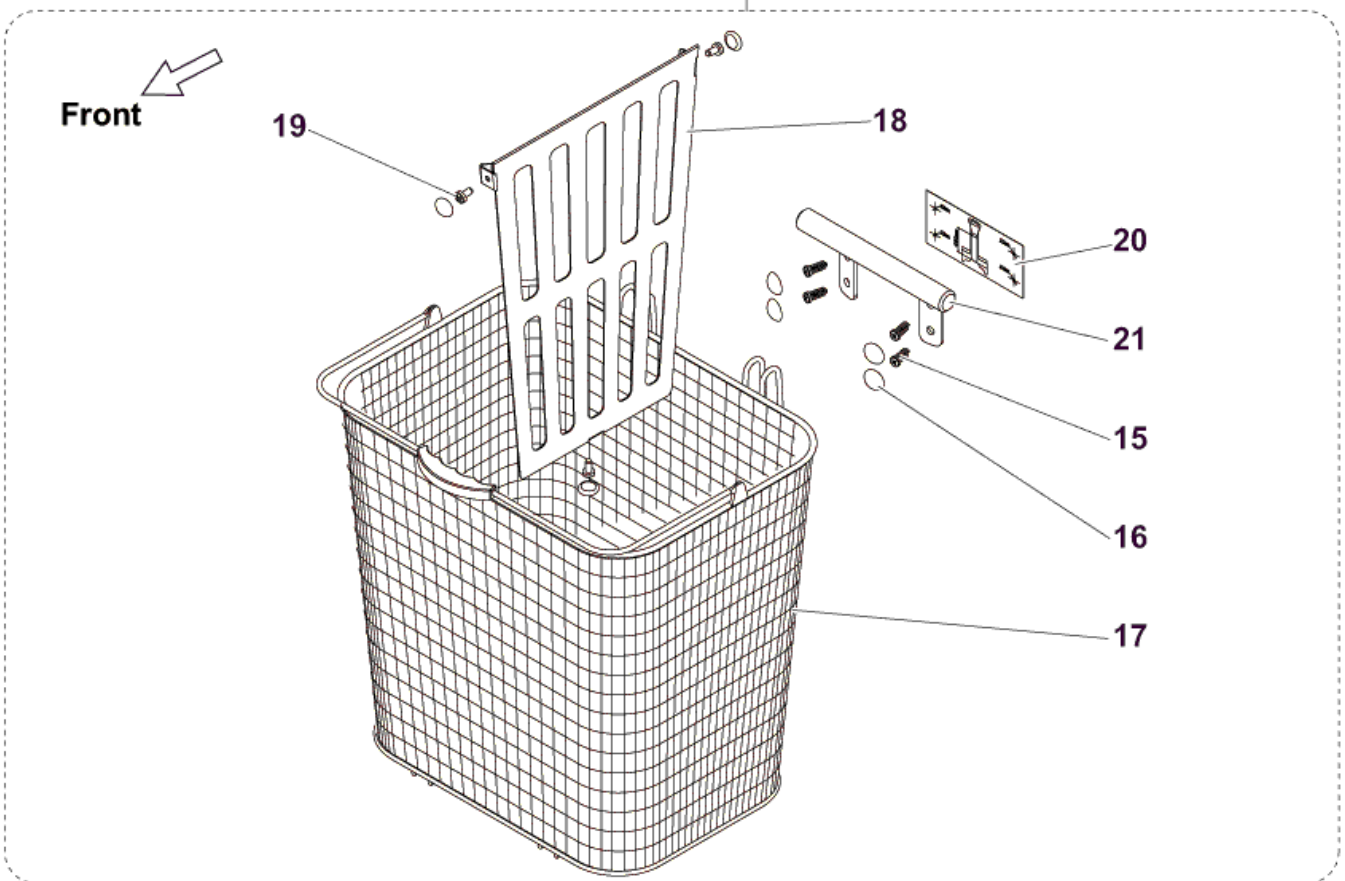
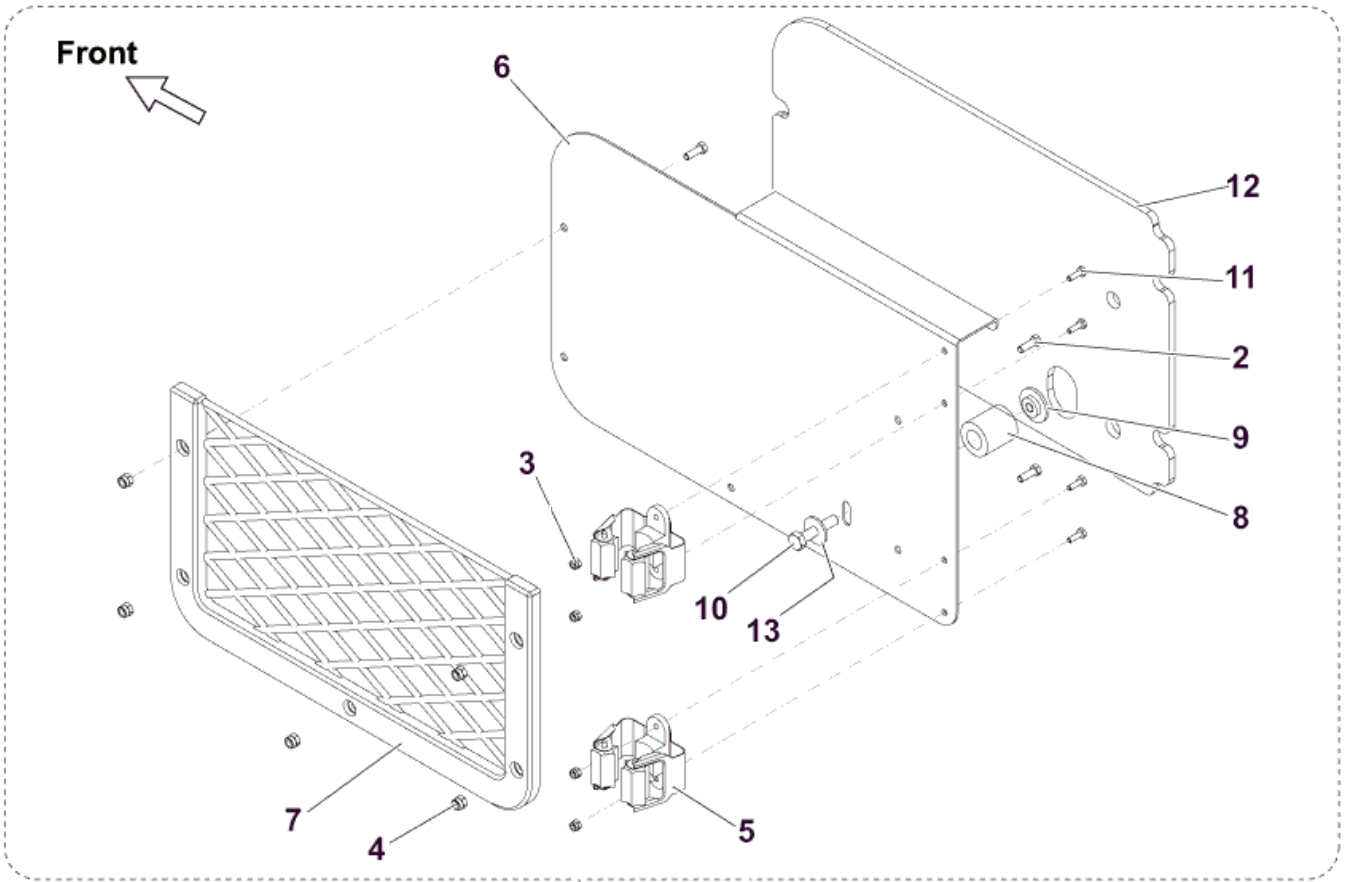
MOP AND TRASH KIT - BASKET KIT

23-04-2015

Part List ID
BR652180

BR 652 - 752 - 752C

41



MOP AND TRASH KIT - BASKET KIT

BR 652 - 752 - 752C

23-04-2015

Part List ID
BR652180

42

Pos	Part no.	Qty	Description	
1	9097815000	1	MOP AND TRASH KIT	Optional
5	33017513	2	HOLDER BROOM	
7	9097947000	1	NET DOCUMENT HOLDER	
14	9098480000	1	BASKET KIT	Optional
17	9098250000	1	BASKET	

FLASHING BEACON KIT - NOISE REDUCTION |

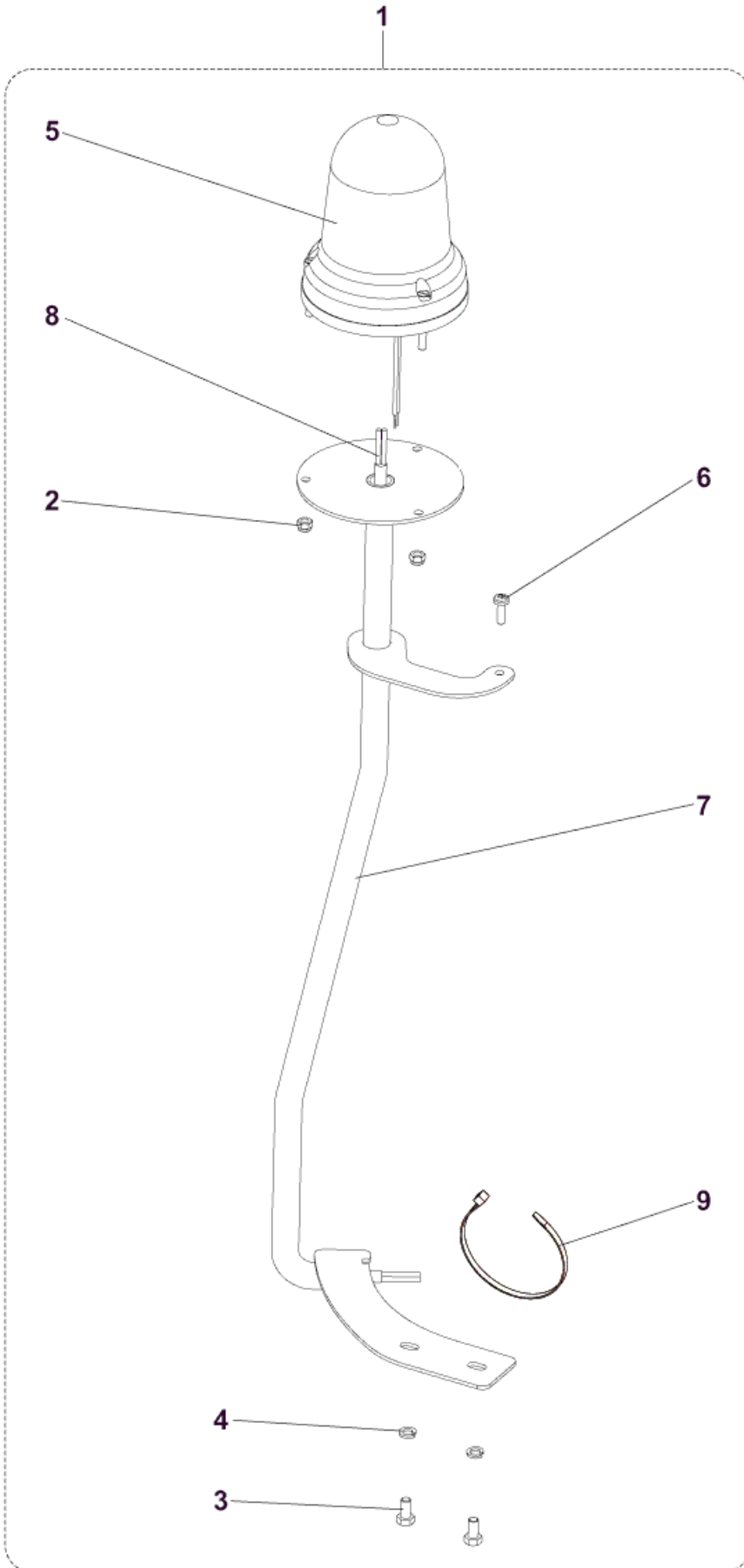
23-04-2015

Part List ID

BR652190

BR 652 - 752 - 752C

43



➔ Front

FLASHING BEACON KIT - NOISE REDUCTION I

BR 652 - 752 - 752C

23-04-2015

Part List ID

BR652190

44

Pos	Part no.	Qty	Description	
1	9098164000	1	BEACON FLASHING KIT	Optional
5	33023155	1	BEACON FLASHING PKD	
10	9098772000	1	SILENCER BUZZER KIT	Optional - Inst.Instr. 9098773000

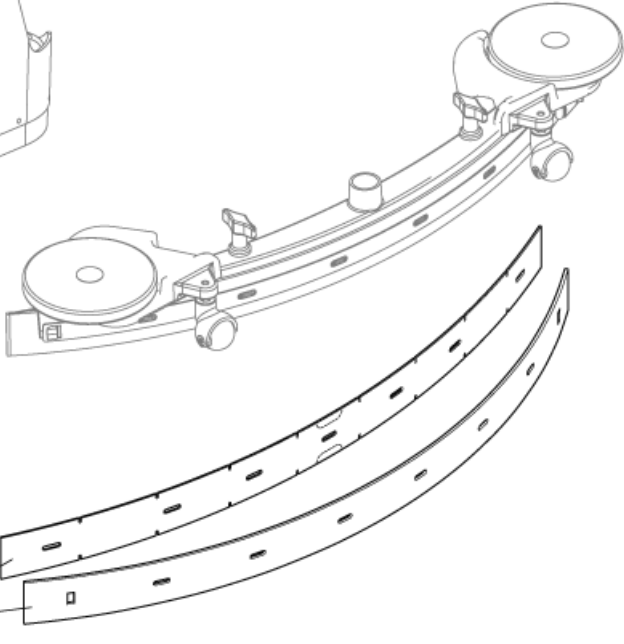
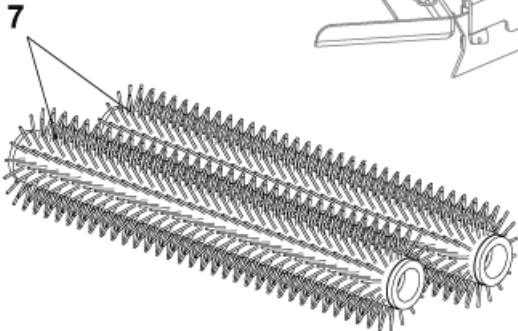
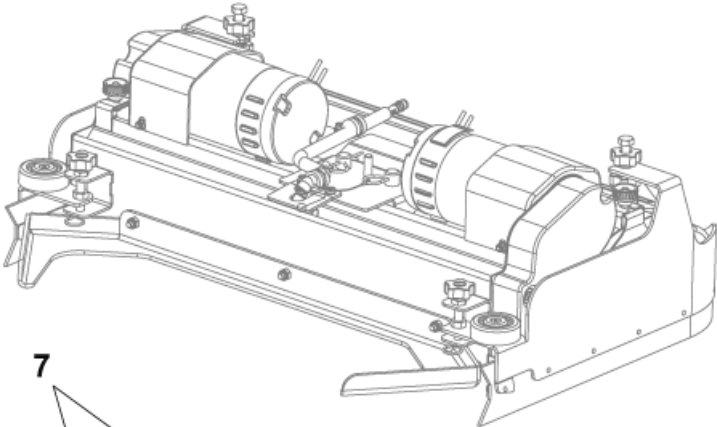
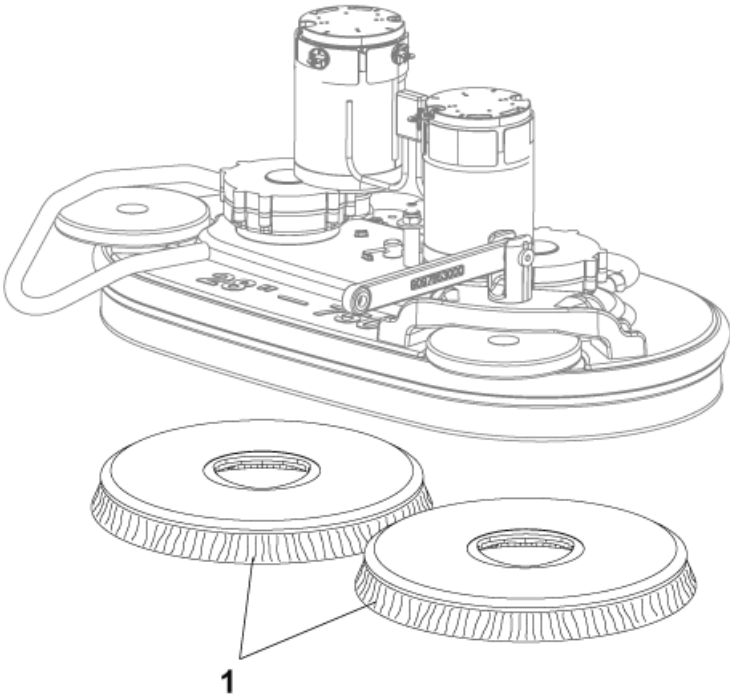
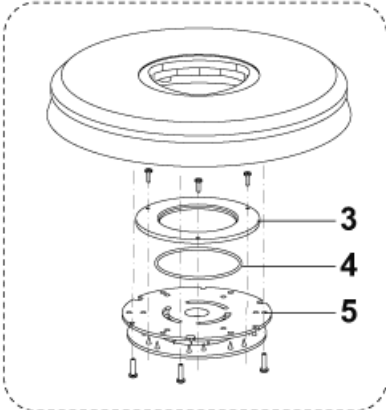
ACCESSORIES

BR 652 - 752 - 752C

23-04-2015

Part List ID
BR652200

45



8

ACCESSORIES

BR 652 - 752 - 752C

23-04-2015

Part List ID
BR652Z00

46

Pos	Part no.	Qty	Description	
1	909 5332 000	2	BRUSH DISC 330MM 13 PROLENE	
1	909 5333 000	2	BRUSH DISC 370MM 14.5 PROLENE	
1	909 5334 000	2	BRUSH DISC 330MM 13 MID GRIT 240	
1	909 5335 000	2	BRUSH DISC 370MM 14.5 MID GRIT 240	
1	909 5336 000	2	BRUSH DISC 330MM 13 MIDLITE GRIT 180	
1	909 5337 000	2	BRUSH DISC 370MM 14.5 MIDLITE GRIT 180	
1	909 5338 000	2	BRUSH DISC 330MM 13 PROLITE	
1	909 5339 000	2	BRUSH DISC 370MM 14.5 PROLITE	
1	909 5340 000	2	BRUSH DISC 330MM 13 UNION MIX	COMPLEXITY REDUCTION
1	909 5341 000	2	BRUSH d.370 UNION MIX	COMPLEXITY REDUCTION
2	909 5330 000	2	PAD HOLDER 13 330MM W/CENTER LOCK	
2	909 5331 000	2	PAD HOLDER 14 355MM W/CENTER LOCK	
3	L08603936	1	RING NYLON	
4	L08603965	1	O-RING 2.62X82.22 -3325-NBR 40SH	
5	56505195	1	PAD RETAINER	
6	10001910	2	PAD 13 330MM ECO BLACK 5PCS	
6	10001911	2	PAD 13 330MM ECO BLUE 5PCS	
6	10001912	2	PAD 13 330MM ECO BROWN 5PCS	
6	10001914	2	PAD 13 330MM ECO RED 5PCS	
6	10001915	2	PAD 13 330MM ECO WHITE 5PCS	
6	10001916	2	PAD 14 355MM ECO BLACK 5PCS	
6	10001917	2	PAD 14 355MM ECO BLUE 5PCS	
6	10001918	2	PAD 14 355MM ECO BROWN 5PCS	
6	10001919	2	PAD 14 355MM ECO GREEN 5PCS	
6	10001920	2	PAD 14 355MM ECO RED 5PCS	
6	10001921	2	PAD 14 355MM ECO WHITE 5PCS	
6	9100000142	2	PAD HOLDER FLAT 13 330MM	
6	9100000143	2	PAD HOLDER FLAT 14 355MM	
7	56412046	2	BRUSH POLYPROPYLENE 28-RED	
7	56412191	2	BRUSH SOFT NYLON 28-YELLOW	COMPLEXITY REDUCTION
7	56412192	2	BRUSH HARD NYLON 28-NATURAL	
7	56412193	2	BRUSH 180 GRIT 28-BLUE/GREY	
7	56412194	2	BRUSH 80 GRIT 28 BLACK	COMPLEXITY REDUCTION
7	56412195	2	BRUSH 46 GRIT 28 ORANG/BROWN	
8	9097804000	1	BLADE SQUEEGEE 890MM 35 GUM KIT	
8	9099211000	1	BLADE SQUEEGEE 890MM 35 RED GUM KIT	

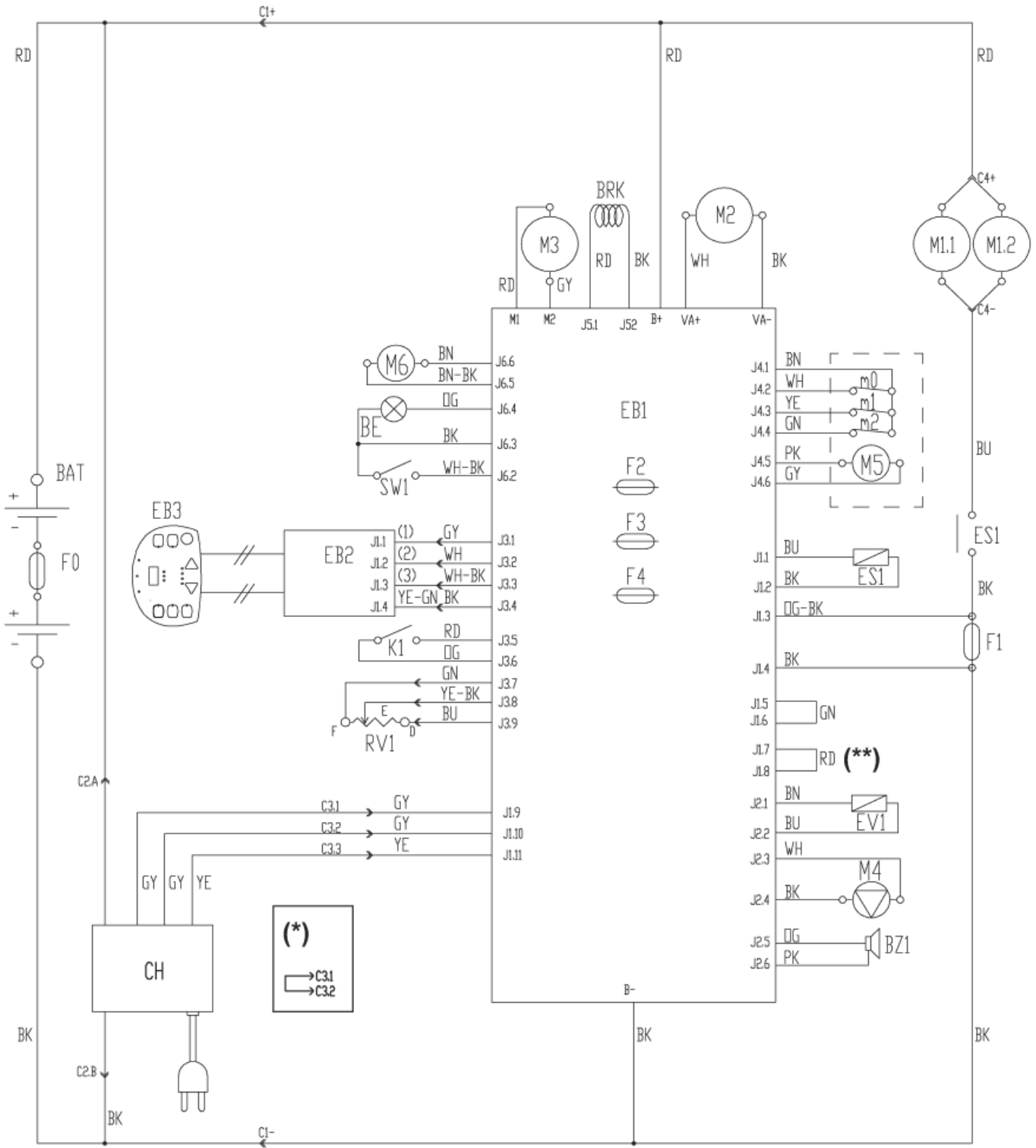
WIRING DIAGRAM

BR 652 - 752 - 752C

23-04-2015

Part List ID
BR652206

47



(*) W/O BATTERY CHARGER VERSION
(**) ONLY FOR BR 652 / 752

(*) VERSIONI SENZA CARICABATTERIE
(**) SOLO PER BR 652 / 752

WIRING DIAGRAM

BR 652 - 752 - 752C

23-04-2015

Part List ID
BR652Z06

48

Pos	Part no.	Qty	Description
BE	33023155	1	BEACON FLASHING PKD
C1	9098762000	1	CONNECTOR 120A RED
C4	9098761000	1	CONNECTOR 50A RED
CH	9099680000	1	CHARGER BATT. ON BOARD 24V 20A 230V
F1	145 9854 000	1	FUSE 50A
F2	9097830000	1	FUSE MIDIFUSE 100A
F3	145 8368 000	1	FUSE BLADE 3A
F4	145 9853 000	1	FUSE BLADE 15A
K1	146 2888 000	1	SWITCH KEY WITH CAP
M2	9099929000	1	MOTOR VACUUM 3ST 24V 420W KIT
M3	910000684	1	MOTOR ELECTRIC 300W 24V PKD
M4	909 6183 000	1	PUMP CHEMICAL MIX
M5	910000683	1	ACTUATOR LINEAR 24V DC STRK 46MM PKD
M6	910000682	1	ACTUATOR LINEAR 24V DC STRK 100MM PKD
BRK	9098626000	1	BRAKE ELECTRIC.RELEASED
BZ1	909 6126 000	1	BUZZER 5-32V
EB1	910000024	1	CARD ELECTRONIC TRACTION KIT
EB2	910000178	1	CARD ELECTRONIC FUNCTIONS PKD
EB3	9097986000	1	DASHBOARD CONTROL PANEL
ES1	9097208000	1	SWITCH ELECTROMAGNETIC 24V
EV1	909 6555 000	1	SOLENOID VALVE 24V
PR1	9098897000	1	SENSOR PRESSURE KIT
RV1	9100001051	1	PEDAL SPEED CONTROL KIT
SW1	909 6242 000	1	MICROSWITCH
M1.	910000309	1	REDUCTION GEARMOTOR 400W 24V KIT
M1.	9099858000	1	MOTOR ELECTRIC 600W 24V KIT

RECOMMENDED SPARE PARTS

BR 652 - 752 - 752C

23-04-2015

Part List ID
BR652210

49

No Drawing For Part List

RECOMMENDED SPARE PARTS

BR 652 - 752 - 752C

23-04-2015

Part List ID
BR652Z10

50

Pos	Part no.	Qty	Description
	145 0461 000	1	NUT WING M6
	145 8368 000	1	FUSE BLADE 3A
	145 9853 000	1	FUSE BLADE 15A
	145 9854 000	1	FUSE 50A
	146 2887 000	1	KEY 2 PCS
	146 2888 000	1	SWITCH KEY WITH CAP
	1466146000	1	KEY 5X5X25 UNI6604A PKD
	909 5224 000	1	SPLASH GUARD DECK 650MM/26
	909 5345 000	1	SPLASH GUARD DECK 750MM/30
	909 5380 000	1	CARBON BRUSHES W/HOLDER KIT 4PCS
	909 5761 000	1	BELT POLY-V
	909 6242 000	1	MICROSWITCH
	909 6380 000	1	CLAMP KIT
	909 6394 000	1	LATCH SQUEEGEE KIT
	909 6555 000	1	SOLENOID VALVE 24V
	909 6731 000	1	BELT POLY-V
	9097208000	1	SWITCH ELECTROMAGNETIC 24V
	9097639000	1	HOLDER POLYGONAL LEFT KIT
	9097640000	1	HOLDER POLYGONAL RIGHT KIT
	9097792000	1	CABLE DASHBOARD EXTENSION
	9097796000	1	LEVER BLOCK STEERING WHEEL
	9097813000	1	GUIDE DRAGGING DECK
	9097827000	1	SUPPORT SQUEEGEE UPPER
	9097830000	1	FUSE MIDIFUSE 100A
	9097850000	1	SPRING DRAGGING DECK
	9097851000	1	SPRING ZERO SETTING BRUSH DECK
	9097931000	1	ROD EYE M10
	9097935000	1	HOSE DRAIN
	9097960000	1	SKIRT SIDE CYL.DECK
	9097986000	1	DASHBOARD CONTROL PANEL
	9098094000	1	HARNESS STEERING WHEEL
	9098115000	1	FILTER WATER
	9098169000	1	HOSE SUCTION
	9098172000	1	GASKET BULB RUBBER L.1235MM PKD
	9098177000	1	CABLE SAFETY F TANK
	9098224000	1	MUFF FRESH WATER
	9098374000	1	HARNESS BRUSH DECK
	9098380000	1	STRAP FRONT SQUEEGEE 35 INC
	9098381000	1	STRAP SKIRT REAR RIGHT 35 INC.
	9098382000	1	STRAP SKIRT REAR LEFT 35 INC
	9098390000	1	SUPPORT SQUEEGEE DOWN
	9098407000	1	WHEEL DRIVE
	9098430000	1	HARNESS WHEEL MOTOR

RECOMMENDED SPARE PARTS

BR 652 - 752 - 752C

23-04-2015

Part List ID
BR652Z10

51

Pos	Part no.	Qty	Description
	9098626000	1	BRAKE ELECTRIC.RELEASED
	9098627000	1	CARBON BRUSHES KIT 2 PCS
	9098658000	1	HARNESS CYL.DECK
	9098676000	1	CABLE EXTENSION EU PLUG L.2000MM
	9098708000	1	SQUEEGEE LIFTING KIT
	9098709000	1	CAP SOLUTION TANK KIT
	9098716000	1	CARBON BRUSHES KIT 2 PCS
	9098722000	1	CENTRING SQUEEGEE KIT
	9098734000	1	BELT TRANSMISSION KIT
	9098737000	1	SUPPORT BRUSH KIT
	9099163000	1	WHEEL CASTOR D.42
0	9099680000	1	CHARGER BATT. ON BOARD 24V 20A 230V
	9099855000	1	BLADES PU 890MM/35 KIT
	9099858000	1	MOTOR ELECTRIC 600W 24V KIT
	9099929000	1	MOTOR VACUUM 3ST 24V 420W KIT
	910000178	1	CARD ELECTRONIC FUNCTIONS PKD
0	910000183	1	CARD ELECTRONIC TRACTION/FUNCTIONS PKD before SN 3510133204431
	910000309	1	REDUCTION GEARMOTOR 400W 24V KIT
	910000682	1	ACTUATOR LINEAR 24V DC STRK 100MM PKD
	910000683	1	ACTUATOR LINEAR 24V DC STRK 46MM PKD
	910000684	1	MOTOR ELECTRIC 300W 24V PKD
0	910000703	1	HOSE FILLING PKD
0	910000772	1	WHEEL D.254 80SH GREY PKD
	L08603949	1	CARBON BRUSHES KIT 4 PCS