



Electronic Service Manuals

This electronic document is provided as a service to our customers. We do not create the contents of the information contained in this document. Should you have detailed questions pertaining to the information contained in this document, you may contact Michco, or the manufacturer which provided the original information in this electronic deliverable. Michco's only part in this electronic deliverable was the electronic assembly process.

You may contact Michco through the following methods:
Phone (517) 484-9312 or (800) 331-3339 MI, OH, IN only
2011 N. High St. -- Lansing, Michigan -- 48906
Fax: (517) 484-9836
Email: CustServ@Michco.com
Web site: www.Michco.Com
Parts Web site: www.FloorMachineParts.Com

Order Parts on Line at:
www.FloorMachineParts.Com

Directly to Parts & Service:
By Email: **Shop@Michco.com**
By Fax: (517) 702-2041
By Voice: Use numbers above.

Serving the Cleaning Industry Since 1922

Notice: All copyrighted material remains property of original owners, all trademarks are property of respective owners. Manuals are subject to Manufacturer's reproduction limitations. Originals or reproductions were provided by manufacturers through a request. We make no warranty as to the correctness of information provided in this document and you assume all risk.

Convertamatic™ 200B, 200BD

Convertamatic™ 200LX



PARTS LIST

**Advance MODELS 56324001(200B), 56324000(200BD)
56324000(200LX)**

**This parts list is for machines after serial number 511035
All models covered in this manual are OBSOLETE**



Advance
by Nilfisk-Advance

revised 9/03 Form Number 56042266

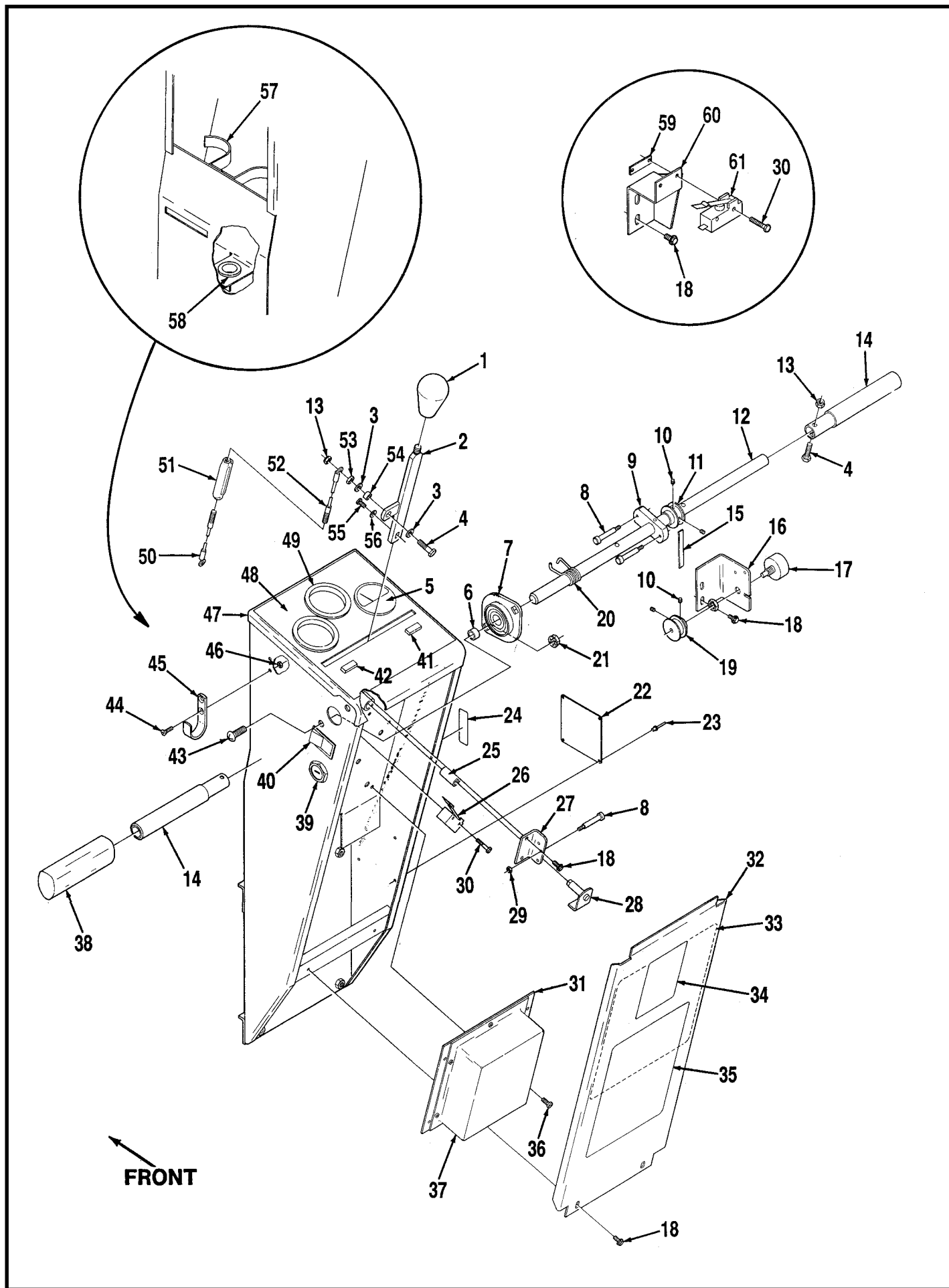
TABLE OF CONTENTS

DESCRIPTION	PAGE
Control Handle	1-2
Battery Case and Chassis	3-4
Solenoids and Circuit Breakers	5-6
Rear Wheels and Drive Motor	7-8
Brush Drive System	9-10
Vacuum Motor System	11-12
Squeegee System (before SN 536425)	13-14
Squeegee System (after SN 536424)	15-16
Recovery System	17-18
Solution System	19-20
Wiring Diagram - 200BD, LX (before SN 546361)	21-22
Wiring Diagram - 200BD, LX (after SN 546360)	23-24
Wiring Diagram - 200B (before SN 551221)	25-26
Wiring Diagram - 200B (after SN 551220)	27-28

WHEN ORDERING PARTS

- * Use the 8 digit numbers from the "Ref. No." columns in this parts list.
- * Specify the model and serial number of the machine.
- * Use the space below to record the model and serial number for future reference.

Model _____ Serial No. _____



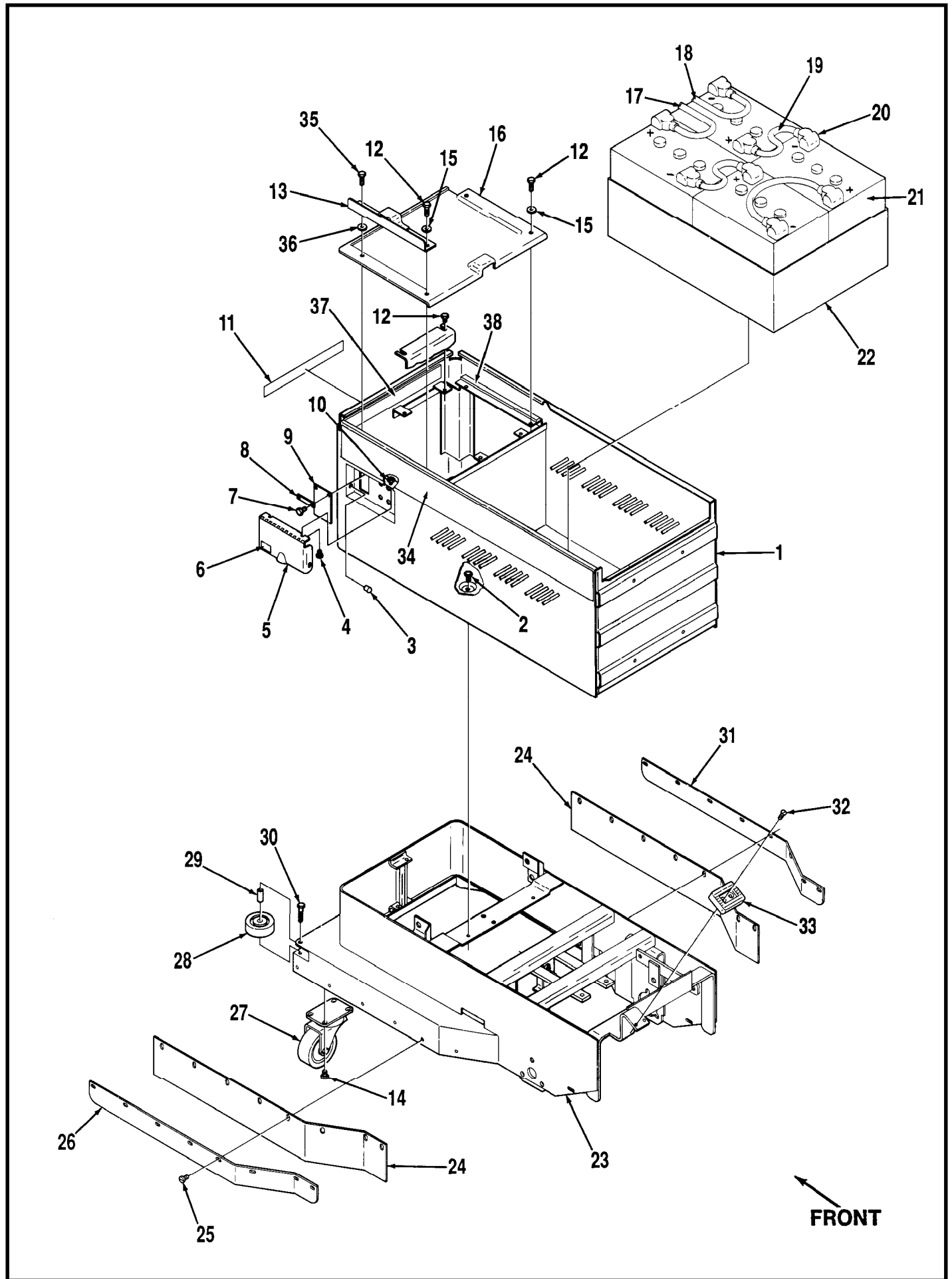
CONTROL HANDLE

Item	Ref. No.	Qty	Description	Item	Ref. No.	Qty	Description
1	56364527	1	Knob	38	56388545	2	Grip
2	56324129	1	Handle	39	56478640	1	Main Switch
3	56002098	2	1/4 Flat Washer	*	56478641	1	Key for Main Switch
4	56002292	3	1/4-20 x 1-1/4 Screw	*	56393325	1	Key Lock Bracket (after SN 530988)
5	56389528	1	Battery Meter	*	56393415	1	Replacement key for 56393325
6	56320595	4	Bushing	*	56301636	1	Toggle Switch
7	56393264	2	Bearing	40	56324272	1	Solution Switch
8	56900481	5	Shoulder Screw	41	56324028	1	Blue Light
9	56324133	1	Spring Lever	42	56389434	1	Green Light
10	56001935	4	#10-24 x 3/16 Set Screw (BD & LX only)	43	56002716	4	5/16-18 x 3/4 Truss Head Screw
11	56392717	1	Pulley (BD & LX only)	44	56002099	2	#10-24 x 5/8 Flat Head Screw
12	56324131	1	Handle	45	56324349	2	Hook
13	56150975	3	Locknut	46	56002768	5	#10-24 Nyl Loc Nut
14	56324120	2	Tube	47	56324111	1	Handle
15	56324022	1	Belt (BD & LX only)	48	56015228	1	Decal, Control (BD & LX)
16	56324119	1	Potentiometer Bracket (BD & LX only)		56015371	1	Decal, Control (B)
17	56454740	1	Potentiometer (BD & LX only)	49	56324195	2	Grommet
18	56002519	6	#10-24 x 3/8 HP-5 Screw	50	56324326	1	Wire Rope (lower)
19	56324202	1	Pulley (BD & LX only)	51	56206814	1	Turnbuckle
20	56324033	1	Torsion Spring	52	56324036	1	Wire Rope (upper)
21	56002701	4	5/16-18 Whiz Nut	53	56002708	1	1/4-20 Nut
22	N/A	1	Nameplate	54	56206784	1	Bushing
23	56261209	4	Pop Rivet	55	56002043	1	#10-24 x 3/8 Screw
24	56016334	1	Decal, Solution Valve	56	56203874	1	Washer
25	56200972	1	Bearing	57	56180030	2	Clamp
26	56324362	1	Vacuum Switch	58	56491648	1	Bearing
27	56324132	1	Stop Bracket	59	56376015	1	Nut Plate (B only)
28	56324361	1	Actuator	60	56324232	1	Switch Bracket (B only) NOTE 1
29	56002768	3	#10-24 Nut	61	56385615	1	Brush Switch (B only) NOTE 2
30	56003084	2	#6-32 x 1 Screw (4 on B model)	62	56003084	2	#6-32 x 1 Loc Screw (B only)
*	56376015	1	Nut Plate (2 on B model)	*	56260155	1	Rectangular Hole Plug
31	56324121	1	Heatsink (BD & LX only)	*	56324366	1	Bracket (BD & LX only)
32	56324130	1	Cover				
33	56015203	1	Decal, Wiring (BD & LX)				
	56015359	1	Decal, Wiring (B)				
34	56014639	1	Decal, Caution				
35	56014601	1	Decal, Caution				
36	56002518	4	#10-24 x 3/8 HP-5 Screw (BD & LX only)				
37	56324128	1	Cover (BD & LX only)				
*	56324023	1	Speed Controller (BD & LX only) TSB 660, G-9				

* = Not Shown

NOTE 1: Revised after SN 545844, (new style bracket) use switch PN 56324362.

NOTE 2: Switch PN 56385615 is used before SN 545844, use switch PN 56324362 after SN 545844.

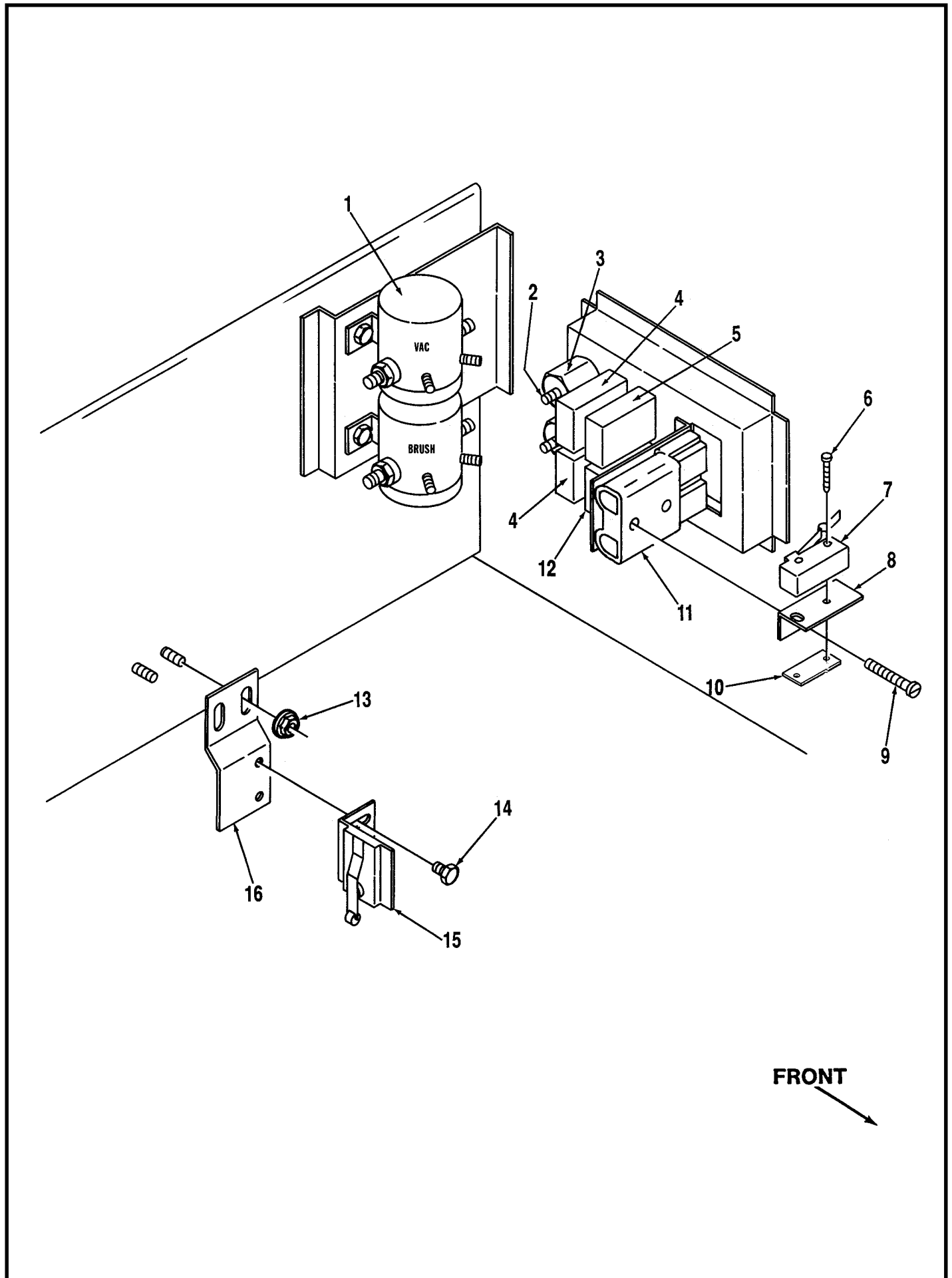


BATTERY CASE AND CHASSIS

Item	Ref. No.	Qty	Description	Item	Ref. No.	Qty	Description
1	56324064	1	Battery Case	22	56374905	1	Battery Tray
2	56001862	2	5/16-18 x 1/2 Bolt	*	56324357	1	Battery Spacer 200B
3	56361321	2	Bullet Catch	23	56324153	1	Chassis
4	56002043	2	#10-24 x 3/8 Screw	24	56382905	2	Skirt
5	56324078	1	Cover	25	56002508	16	#10-24 x 1/2 SS Screw HP-5
6	56054192	1	Decal, Charger	26	56324286	1	Left Strap
7	56002520	2	#10-24 x 1/2 Screw HP-5	27	56206725	2	Caster
8	56324085	1	Strap	28	56363855	2	Wheel
9	56324086	1	Flap	29	56360139	2	Bushing
10	56002768	4	#10-24 Whiz Nut	30	56002537	2	1/4-20 x 1-1/2 HP-5 Screw
11	56015435	1	Decal, Front Stripe	31	56324287	1	Right Strap
12	56002729	7	1/4-20 x 1/2 Loc Screw	32	56002507	2	1/4-20 x 3/4 Flat Head Screw
*	56321520	4	1/4-20 Clamp Nut	33	56365000	1	Pad
13	56324072	1	Support Bracket	34	56015437	1	Decal, Stripe Left 200LX
14	56002513	8	1/4-20 x 1/2 HP-5 Screw	*	56015439	1	Decal, Stripe Left 200B
15	56900737	3	Sealing Washer	*	56015436	1	Decal, Stripe Right 200LX
16	56324071	1	Cover	*	56015359	1	Decal, Stripe Right 200B
17	56372526	1	Negative Cable	35	56002921	1	1/4-20 x 1/2 Flt Hd Screw
18	56324284	1	Positive Cable	*	56321520	4	1/4-20 Clamp Nut
19	56363928	3	Battery Cable	36	56324374	1	Sealing Washer
20	56372673	8	Battery Post Boot	37	56324373	1	Gasket
21	56376014	4	Battery 6V, 244AH **	38	56209434	9"	Gasket (23.13 cm)
*	56206962	2	Battery 12V, 93AH **				
*	56206981	1	Automatic Battery Charger 24V - 10A 200B **				* = Not Shown ** = Not Included
*	56372947	1	Automatic Battery Charger 24V - 20A 200BD & LX **				
*	56324307	1	Battery Charger Adapter **				

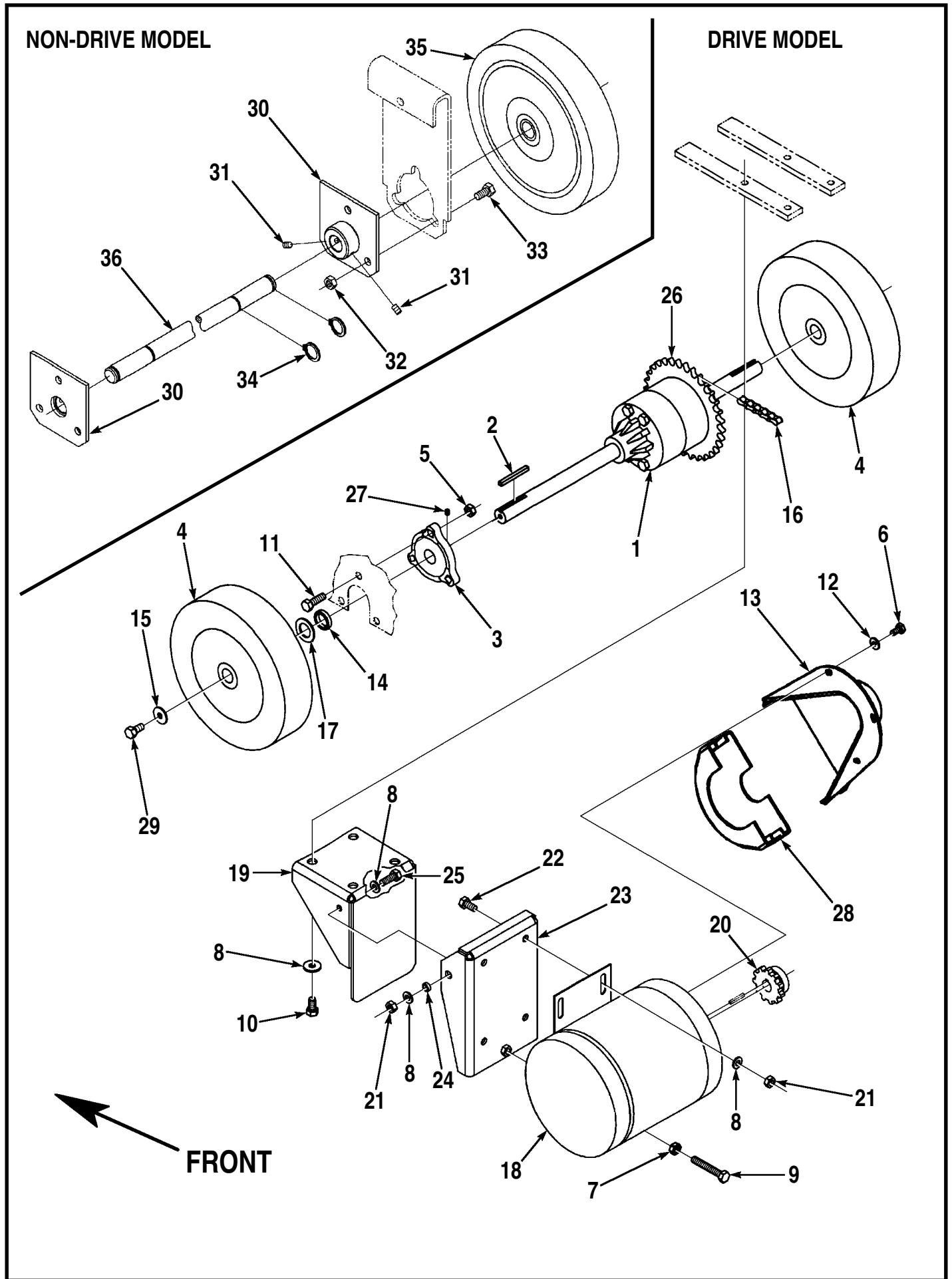
NOTE 1

NOTE 1: Battery Charger Adapter with (1) small red end and (1) large red end. Use only when switching a machine from its original (STD) batteries to a 2 or 4 battery pack. **IMPORTANT!:** Do not use this adapter to hook up a 24V, 20 amp charger to (2) 12V batteries.



SOLENOIDS AND CIRCUIT BREAKERS

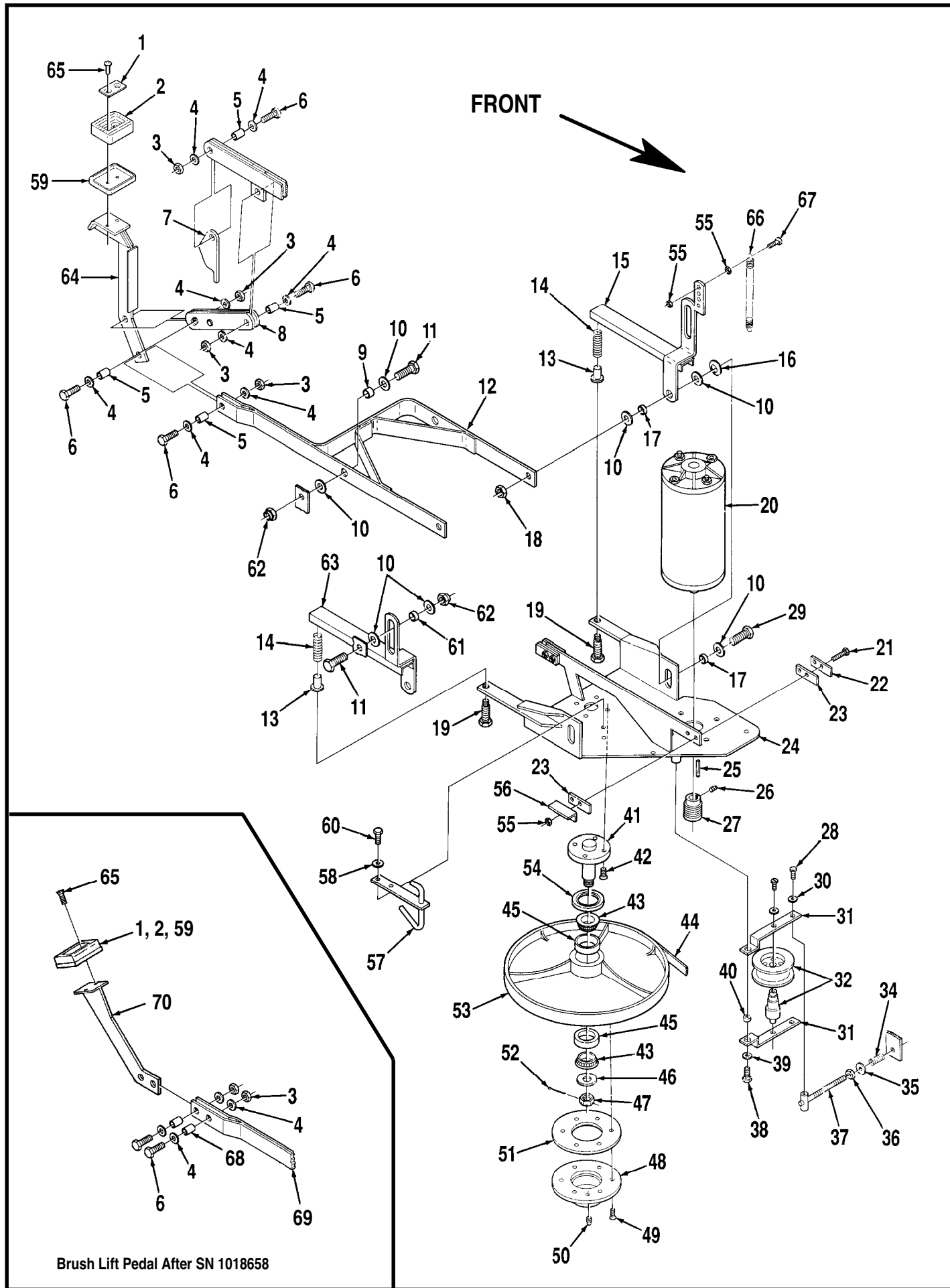
Item	Ref. No.	Qty	Description
1	56468358	2	Solenoid
2	56150274	2	Stud
3	56469858	2	Insulated Stand-Off
4	56395454	2	Circuit Breaker 20A (1 on B model)
5	56454423	1	Circuit Breaker 30A - Brush Motor
6	56002582	2	#6-32 x 7/8 Screw
7	56376435	1	Charger Interlock Switch
8	56389270	1	Switch Bracket
9	56001833	2	1/4-20 x 1-1/2 Screw
10	56376015	1	Nut Plate
11	56324305	1	Charger Plug Housing 200B
	56324306	2	Charger Plug Contact 200B
	56100621	1	Charger Plug Housing 200BD & LX
	56100623	2	Charger Plug Contact 200BD & LX
12	56387328	1	Circuit Breaker 5A
13	56002708	2	1/4-20 Whiz Nut
14	56002519	2	#10-24 x 3/8 HP-5 Screw
15	56462362	1	Brush Motor Switch
16	56324062	1	Switch Bracket



REAR WHEELS AND DRIVE MOTOR

Item	Ref. No.	Qty	Description
1	56324031	1	Differential
	56324185	1	Differential Assy (#1 & 29)
2	56443719	2	3/16 x 1-5/16 Key
3	56393677	2	Bearing
4	56324246	2	Wheel TSB684
5	56002826	6	5/16-18 Thin Nyl Loc Nut
6	56002729	3	1/4-20 x 1/2 Loc Screw
7	56002025	1	5/16-18 Jam Nut
8	56001939	12	5/16 Flat Washer
9	56002368	1	5/16-18 x 1-3/4 Bolt
10	56002929	6	5/16-18 x 5/8 Loc Bolt
11	56002221	6	5/16-18 x 1 Bolt
12	56002098	3	1/4 Flat Washer
13	56324417	1	Upper Chain Guard
14	56324248	2	Bushing
15	56152781	2	5/16 Flat Washer
16	56324027	1	Roller Chain
17	56367192	2	Washer
18	56324011	1	Drive Motor 24VDC
*	56324253	1	Carbon Brush Set for Drive Motor
19	56324104	1	Motor Mount Bracket
20	56388688	1	Sprocket
21	56002701	6	5/16-18 Nyl Loc Nut
22	56002667	4	5/16-18 x 3/4 Bolt
23	56324215	1	Plate
24	56381818	2	Bushing
25	56002037	2	5/16-18 x 7/8 Bolt
26	56324024	1	Sprocket
27	56002086	2	5/16-18 x 1/4 Loc Set Screw
28	56324419	1	Lower Chain Guard
29	56002035	2	Scr, Hex Hd 5/16-18 x .62
NON-DRIVE MODEL			
30	56324230	2	Axle Mount
31	56002930	4	Scr, Soc Set Loc 1/4-20 x .3/8
32	56002701	6	Nut, Hex Nyl Loc 5/16-18
33	56002037	6	Scr, Hex Hd 5/16-18 x 7/8
34	56900884	4	Ret, Ring
35	56377945	2	Wheel, W/Bearing
36	56324231	1	Shaft, Axle

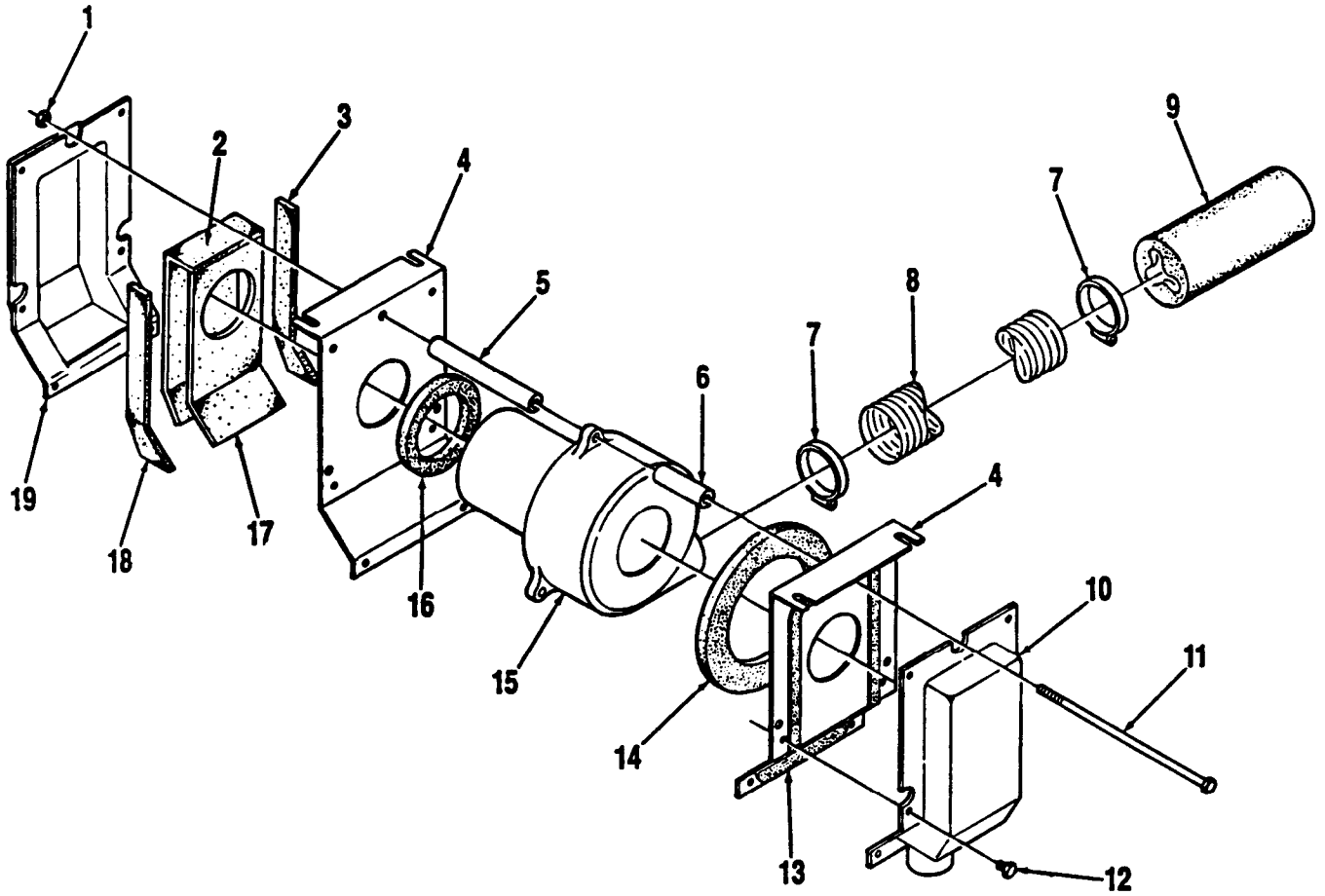
* = Not Shown



Brush Lift Pedal After SN 1018658

BRUSH DRIVE SYSTEM

Item	Ref. No.	Qty	Description	Item	Ref. No.	Qty	Description
1	56365081	1	Plate	53	56171376	1	Pulley
2	56365082	1	Rubber Pad	54	56171078	1	Seal
3	56002769	4	3/8-16 Nyl Loc Nut	55	56002708	6	1/4-20 Nyl Loc Nut
4	56002063	8	3/8 Flat Washer	56	56382984	1	Bracket
5	56324200	4	Bushing (before SN 1018659)	57	56385776	1	Solution Pipe
6	56001858	4	3/8-16 x 1-1/4 Bolt	58	56151114	2	Washer
7	56324058	1	Lock Plate (before SN 1018659)	59	56365083	1	Pedal Cup
8	56324201	1	Linkage (before SN 1018659)	60	56002514	2	1/4-20 x 3/4 HP-5 Screw
9	56360627	2	Bushing	61	56365030	2	Bushing
10	56009017	14	Washer	62	56002770	4	1/2-13 Nyl Loc Nut
11	56001968	4	1/2-13 x 1-1/2 Bolt	63	56385890	1	Bracket
12	56324050	1	Brush Linkage (before SN 1018659)	64	56324054	1	Pedal (before SN 1018659)
13	56386216	2	Guide Bushing	65	56002711	2	1/4-20 x 7/8 Flat Hd Screw
14	56373869	2	Spring	66	56398606	1	Spring (200B only)
15	56385893	1	Bracket	67	56001821	1	1/4-20 x 7/8 Screw
16	56009130	2	Bowed Washer	68	56244859	2	Bushing (after SN 1018658)
17	56382086	4	Bushing	69	56324380	1	Brush Linkage (after SN 1018658)
18	56002843	2	1/2-13 Nyl Loc Nut	70	56324386	1	Pedal (after SN 1018658)
19	56386213	2	Adjusting Bolt	Brushes For Silver NP-47 Drive Cap			
20	56386261	1	Brush Drive Motor	**	56505455	1	Short-Trim Pad Holder
*	56386263	1	Carbon Brush Set (for #20)	**	56505048	1	Dyna Grit™ 80 Brush
21	56001878	4	1/4-20 x 1-1/4 Screw	**	56505058	1	Magna Grit™ 46 Brush
22	56386160	3	Plate	**	56505063	1	AgLite™ 500 Brush
23	56386105	4	Wear Strip	**	56505077	1	ProLite™ Brush
24	56385662	1	Bracket	**	56505079	1	MidLite Grit™ 180 Brush
25	56443719	1	3/16 x 1-3/8 Key	**	56505083	1	MidGrit™ 240 Brush
26	56001841	2	1/4-2 x 1-1/4 SS Set Screw	**	56505450	1	Prolene Brush
27	56171088	1	Sheave	**	56505454	1	Union Mix Brush
28	56002043	4	#10-24 x 3/8 Screw	Brushes For Gold NP-92 Drive Cap			
29	56001831	2	1/2-13 x 1-1/4 Bolt	**	56505920	1	Short-Trim Pad Holder
30	56001954	4	#10 Flat Washer	**	56505280	1	Level Set Pad Holder
31	56386290	2	Bracket	**	56505922	1	Dyna Grit™ 80 Brush
32	56171734	1	Idler Assembly	**	56505921	1	Magna Grit™ 46 Brush
	56171735	1	Pulley	**	56505923	1	AgLite™ 500 Brush
	56171733	1	Shaft	**	56505925	1	ProLite™ Brush
33			Omitted Intentionally	**	56505928	1	MidLite Grit™ 180 Brush
34	56171271	1	Spring	**	56505927	1	MidGrit™ 240 Brush
35	56001939	1	5/16 Flat Washer	**	56505924	1	Prolene Brush
36	56002025	1	5/16-18 Jam Nut	**	56505926	1	Union Mix Brush
37	56386273	1	Linkage	**	56182058	A/R	"Pad Grab" Pad Retainer (snap in)
38	56001821	1	1/4-20 x 7/8 Screw	**	56393567	A/R	"Big Mouth" Pad Retainer (threaded)
39	56002098	1	1/4 Flat Washer	**	56506006	A/R	Clutch Plate (Plastic/NP-92)
40	56368989	1	Bushing	**	56506001	A/R	Clutch Plate (Silver/NP-47)
41	56171056	1	Shaft	* = Not Shown			
42	56002517	4	1/4-20 x 3/4 HP-5 Screw	** = Optional Accessory, Not Included			
43	56378267	2	Bearing				
44	56171200	1	Belt				
45	56378259	2	Bearing Race				
46	56163449	1	Washer				
47	56158313	1	Nut				
48	56163430	1	Drive Cap TSB 628, G-10 (Silver/NP-47)				
	56163431	1	Drive Cap (Gold/NP-92)				
49	56002569	6	#10-24 x 1/2 Flat Hd HP-5 Screw				
50	56361321	1	Catch				
51	56158275	1	Gasket				
52	56001882	1	1/16 x 1 Cotter Pin				

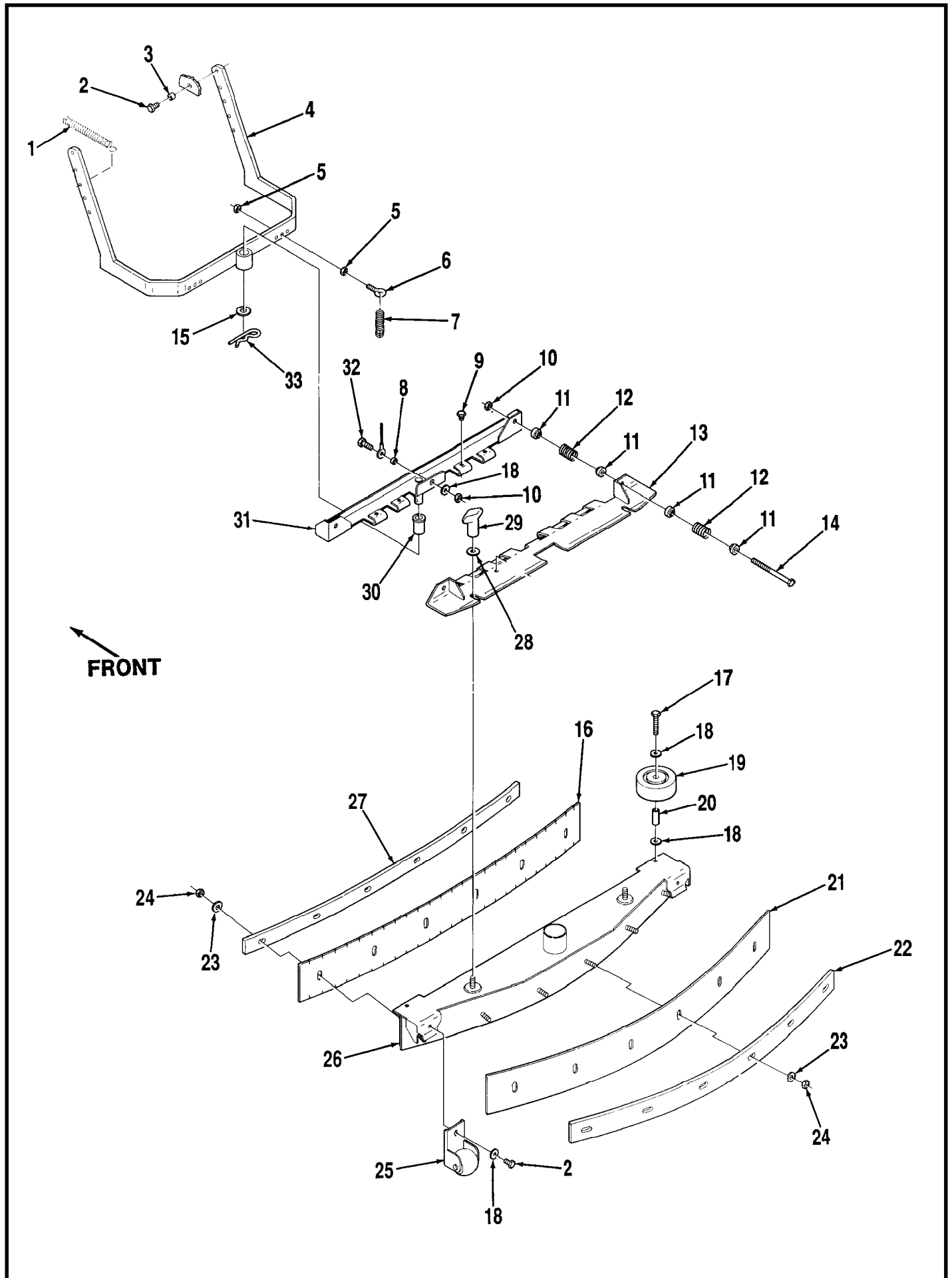


↖
FRONT

VACUUM MOTOR ASSEMBLY

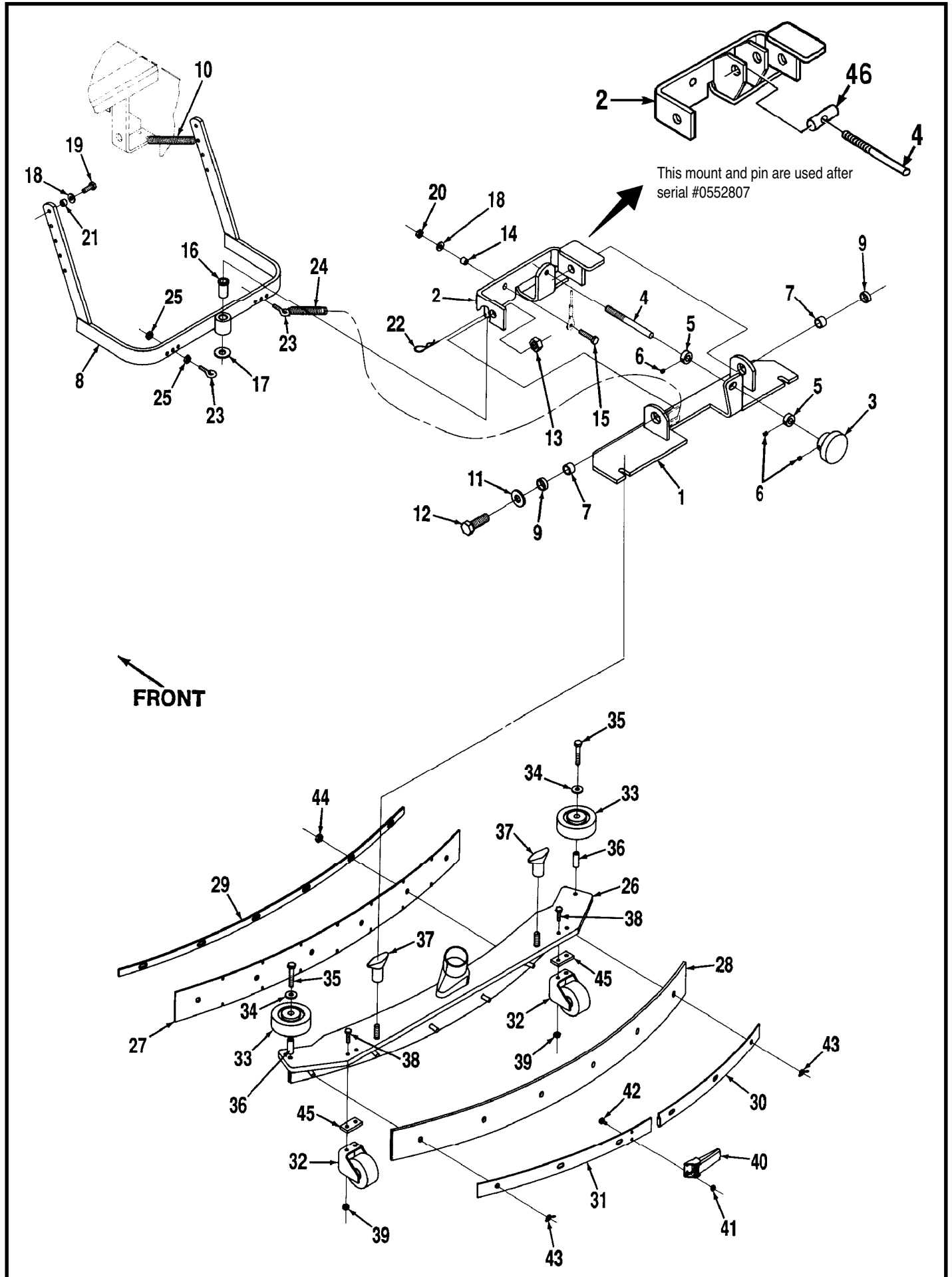
Item	Ref. No.	Qty	Description
1	56150975	3	Nut
2	56324101	1	Foam
3	56324099	1	Foam
4	56324098	2	Vacuum Motor Bracket
5	56324094	3	Spacer
6	56324095	3	Spacer
7	56440213	2	Hose Clamp
8	56385599	1	Hose
9	56391807	1	Foam
10	56324097	1	Shroud
11	56002776	3	1/4-20 x 8 Screw
12	56002519	12	#10-24 x 3/8 HP-5 Screw
13	56200754	5'	Gasket (1.5 m)
14	56385437	1	Gasket
15	56324189	1	Vacuum Motor
*	56503003	1	Carbon Brush Set for Vacuum Motor
16	56324040	1	Gasket
17	56324102	1	Foam
18	56324100	1	Foam
19	56324092	1	Shroud

* = Not Shown



SQUEEGEE SYSTEM (BEFORE SN 0536425)

Item	Ref. No.	Qty	Description
1	56448112	2	Spring
2	56002514	4	1/4-20 x 3/4 HP-5 Screw
3	56206784	2	Bushing
4	56324143	1	Linkage
5	56002832	4	#10-24 Nut
6	56388599	2	Eye Bolt
7	56470672	2	Spring
8	56163872	1	Bushing
9	56002486	4	#10-24 x 3/8 HP-5 Screw
10	56002708	3	1/4-20 Lock Nut
11	56384708	8	Step Bushing
12	56171177	4	Spring
13	56324152	1	Hinge Plate TSB 587, G-11
14	56002689	2	1/4-20 x 3-1/2 Screw
15	56001953	1	7/16 Washer
	56324301	1	Squeegee Assy (#16-29) TSB 587, G-11
16	56324026	1	Front Blade TSB 587, G-11
	56324254	1	Blade Kit, contains one each #16, #21
17	56002537	2	1/4-20 x 1-1/2 HP-5 Screw TSB 587, G-11
18	56002098	7	1/4 Flat Washer TSB 587, G-11
19	56363855	2	Wheel TSB 587, G-11
20	56471220	2	Bushing TSB 587, G-11
21	56324025	1	Rear Blade TSB 587, G-11
	56324254	1	Blade Kit, contains one each #16, #21
22	56324147	1	Rear Strap TSB 587, G-11
23	56002536	12	1/4 Brass Washer TSB 587, G-11
24	56002850	12	1/4-20 Stainless Steel Nut TSB 587, G-11
25	56387376	2	Roller TSB 587, G-11
26	56324135	1	Squeegee Mount TSB 587, G-11
27	56324148	1	Front Strap TSB 587, G-11
28	56001939	2	5/16 Flat Washer TSB 587, G-11
29	56370711	2	Thumb Nut TSB 587, G-11
30	56492471	1	Bearing
31	56324140	1	Pivot Bracket TSB 587, G-11
32	56002093	1	1/4-20 x 1 Screw
33	56321406	1	Pin

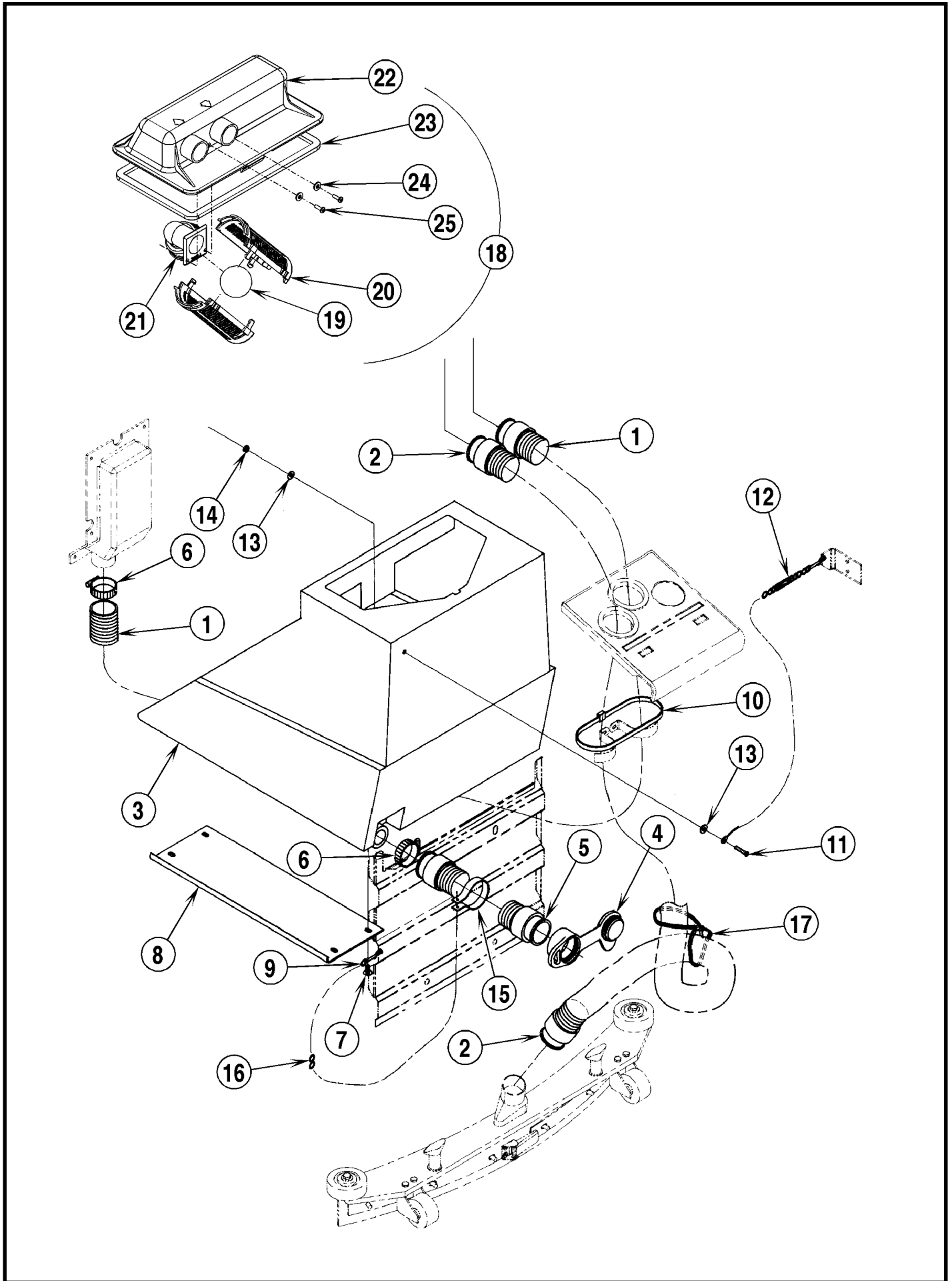


SQUEEGEE SYSTEM (AFTER SN 0536424)

Item	Ref. No.	Qty	Description
1	56324405	1	Mount
2	56324404	1	Mount NOTE 1
3	56475480	1	Knob
4	56391855	1	Rod
5	56331076	2	Collar
6	56002931	3	#10-24 x 3/16 Set Screw
7	56360627	2	Bushing
8	56324432	1	Linkage
9	56478781	2	Bearing
10	56448112	2	Spring
11	56001879	2	1/2 Flat Washer
12	56001968	2	1/2-13 x 1-1/2 Bolt
13	56002770	2	1/2-13 Nyl Loc Nut
14	56324321	1	Bushing
15	56001821	1	1/4-20 x 7/8 Screw
16	56492471	1	Bearing
17	56001953	1	7/16 Flat Washer
18	56002098	3	1/4 Flat Washer
19	56002514	2	1/4-20 x 3/4 HP-5 Screw
20	56002708	1	1/4-20 Nyl Loc Nut
21	56206784	2	Bushing
22	56002959	1	Pin
23	56388599	2	Eye Bolt
24	56470672	2	Spring
25	56002832	4	#10-24 Nyl Loc-Thin Nut
26	56324403	1	Squeegee Tool
	56324397	1	Squeegee Tool Assy (#26-45)
27	56324325	1	Front Blade (std. & oil res.)
28	56324322	1	Rear Blade (std.)
	56324383	1	Rear Blade (oil res.)
29	56324402	1	Front Strap
30	56324398	1	Right Rear Strap
31	56324399	1	Left Rear Strap
32	56393755	2	Roller
33	56363855	2	Wheel
34	56002859	2	1/4 SS Flat Washer
35	56002993	2	1/4-20 x 1-1/2 SS Screw
36	56471220	2	Bushing
37	56370711	2	Thumb Nut
38	56002837	4	1/4-20 x SS Screw
39	56002836	4	#10-24 SS Nyl Loc Nut
40	56471194	1	Latch
41	56002964	2	#6-32 SS Nyl Loc-Thin Nut
42	56002909	2	#6-32 x 3/8 SS Pan Hd Screw
43	56002963	2	1/4-20 SS Wing Nut
44	56002850	6	1/4-20 SS Nyl Loc-Thin Nut
45	56324351	2	Plate
46	56324369	1	Pin NOTE 1
*	56324385	1	Standard Blade Kit
*	56324384	1	Oil Resistant Blade Kit

* = Not Shown

NOTE 1: The mount (part number 56324333) is constructed differently after SN 0552807. If you have an old-style mount and you order a replacement mount, you will be shipped the new-style mount **and you will also need item #46** pin, (part number 56324369).

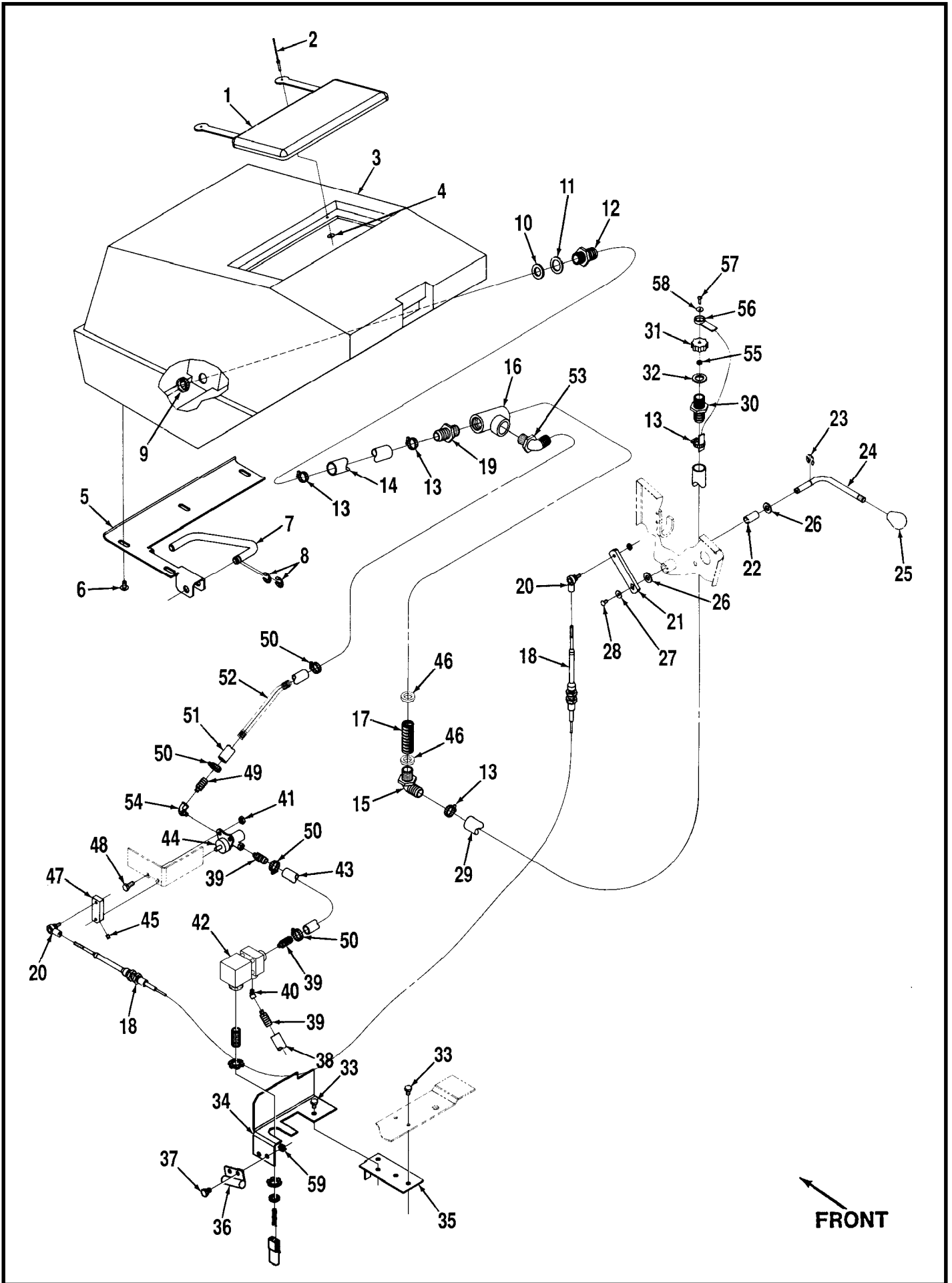


RECOVERY TANK SYSTEM

Item	Ref. No.	Qty	Description
1	56391753	1	Vacuum Hose (vac motor)
2	56324255	1	Vacuum Hose (squeegee)
3	56324179	1	Recovery Tank NOTE 2
4	56324180	1	Drain Plug
5	56372216	1	Drain Hose
6	56329145	2	Hose Clamp
7	56002924	4	1/4-20 x 1/2 Screw NOTE 1
8	56386055	1	Panel NOTE 1 / NOTE 2
9	56324281	1	Snap Swivel
10	56477613	5	Cable Tie
11	56002098	1	#10-24 x 1 SS Screw NOTE 1
12	56324283	1	Cable NOTE 1
13	56002919	2	#10 SS Flat Washer NOTE 1
14	56002836	1	#10-24 SS Nyl Loc Nut NOTE 1
15	56263379	1	Cover Strap
16	56745391	1	"S" Hook
17	56393381	1	Wire Tie
18	56324045	1	Cover Assembly (#19-25)
19	56391690	1	Ball
20	56324497	2	Cage, Float
21	56324298	1	Elbow, Float
22	56324046	1	Cover, Tank
23	56262576	1	Gasket
24	56209261	2	Washer, Sealing 9/16
25	56003633	2	Scr, Pan Phil SS Type B 10-16 x .50

NOTE 1: This part is only used on machines before SN1005511.

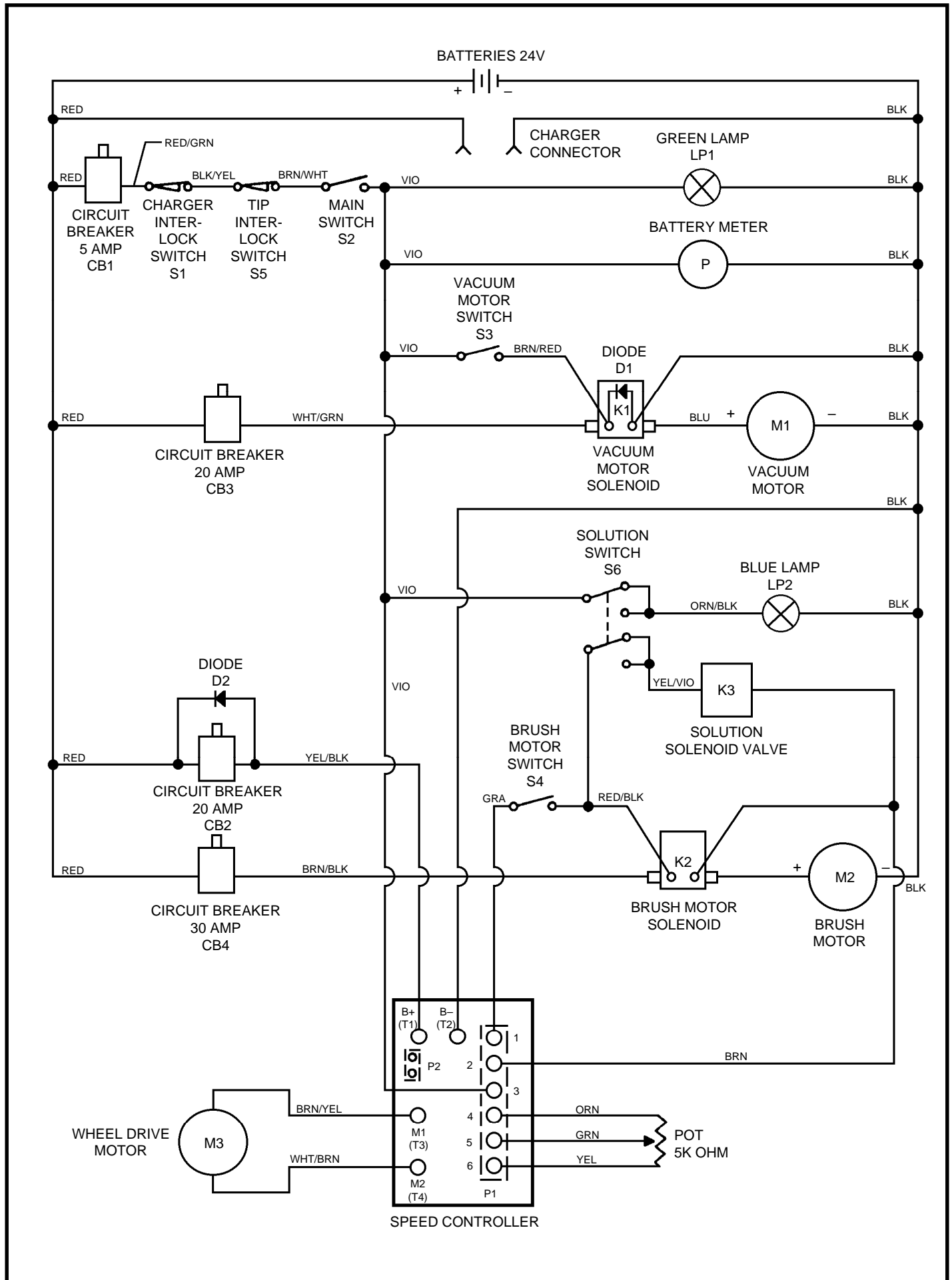
NOTE 2: Panel PN 56386055 is no longer used to mount the recovery tank PN 56324179 to the chassis. New recovery tanks will not have the (4) inserts in the bottom to install the panel. The tank will be mounted simply by nesting into the chassis.



SOLUTION SYSTEM

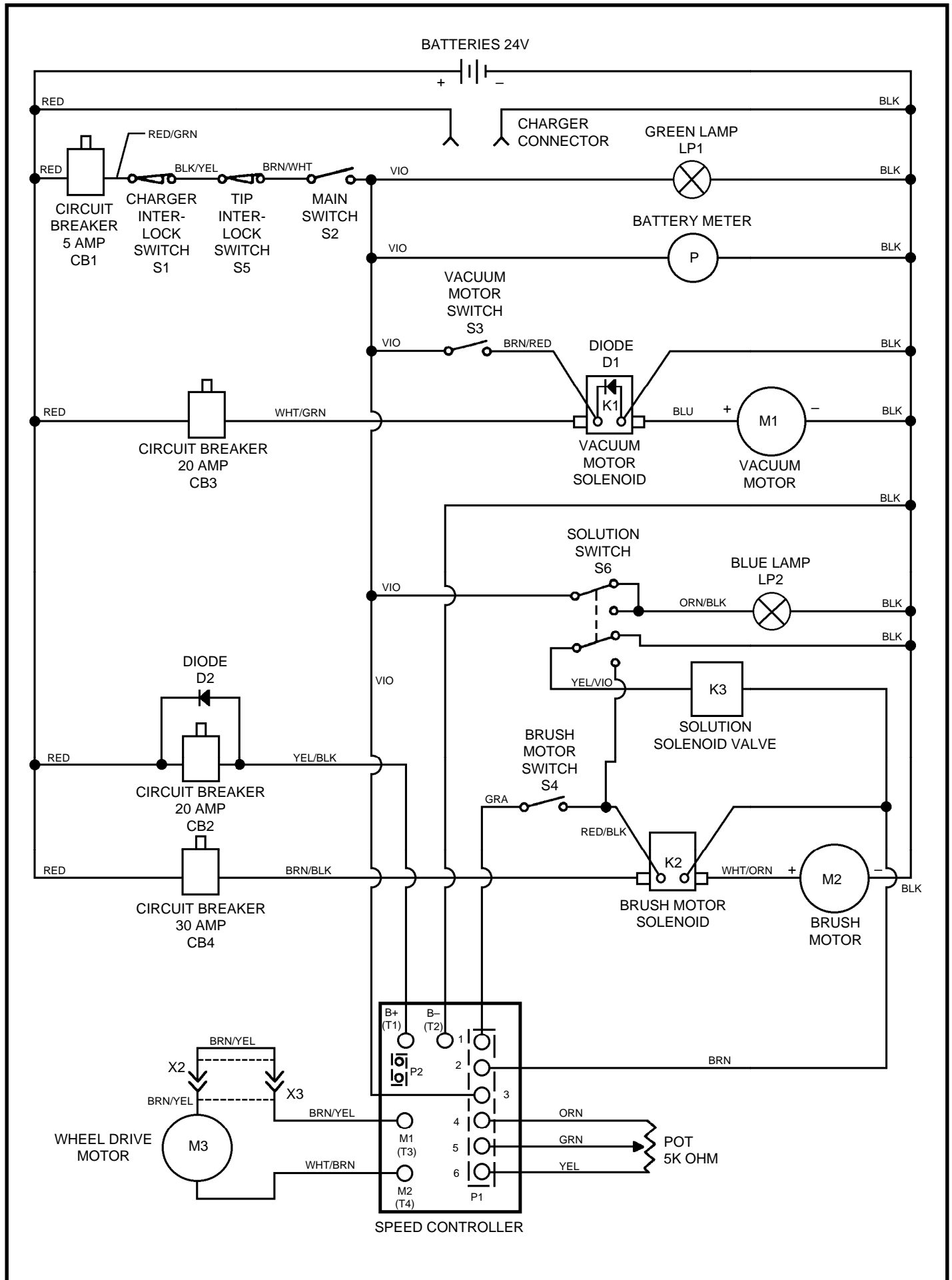
Item	Ref. No.	Qty	Description	Item	Ref. No.	Qty	Description
1	56386062	1	Cover Assembly	30	56900273	1	Barb
	56386166	1	Cover	31	56324256	1	Cap
	56263379	2	Strap	*	56209596	1	Rubber Washer
2	56900186	4	Pop Rivet	*	56002916	1	#10 SS Flat Washer
3	56324211	1	Solution Tank	32	56368776	1	Rubber Washer
	56324193	1	Solution Tank Assembly (#1-12)	33	56001861	4	1/4-20 x 3/8 Screw
4	56263381	2	SS Washer	34	56324239	1	Bracket
5	56324077	1	Panel	35	56324241	1	Bracket
6	56002145	4	1/4-20 x 1/2 Screw	36	56324214	1	Tip Interlock Switch
7	56324076	1	Prop Rod	37	56002503	2	#10-24 x 1/2 Screw
8	56324204	2	Retaining Ring	38	56456830	1	Hose
9	56393187	1	Nut	39	56155640	3	Barb
10	56249625	1	Restrainer	40	56368938	1	Elbow
11	56154717	1	Rubber Washer	41	56002708	2	1/4-20 Nyl Loc Nut
12	56393182	1	Barb	42	56324247	1	Solenoid Valve
13	56112771	4	Hose Clamp	*	56324506	1	Viton Seal Kit (for 56324247)
14	56324041	1	Hose	*	56324507	1	EPDM Seal Kit (for 56324247)
15	56456802	1	Barb	43	56456830	1	Hose
16	56324029	1	Tee	44	56368903	1	Solution Valve
17	56324030	1	Filter	45	56002015	1	#10-24 x 1/4 Set Screw
18	56324205	1	Cable	46	56324313	2	Sealing Washer
19	56900292	1	Barb	47	56324089	1	Handle
20	56488290	2	Ball Joint	48	56001836	2	1/4-20 x 5/8 Screw
21	56324206	1	Link	49	56373456	1	Barb
22	56200972	1	Bearing	50	56219932	4	Hose Clamp
23	56321427	1	Retaining Ring	51	56324249	1	Hose
24	56324216	1	Handle	52	56471103	1	Spring
25	56378534	1	Knob	53	56324035	1	Barb
26	56002063	2	3/8 Flat Washer	54	56369632	1	Elbow
27	56203874	1	#10 Flat Washer	55	56002877	2	#8-32 SS Nut
28	56002926	1	#10-24 x 3/8 Loc Screw	56	56324257	1	Strap
29	56900299	6'	Hose (2 m)	57	56002895	1	#8-32 x 3/4 SS Screw
				58	56002916	1	#10 SS Flat Washer

* = Not Shown



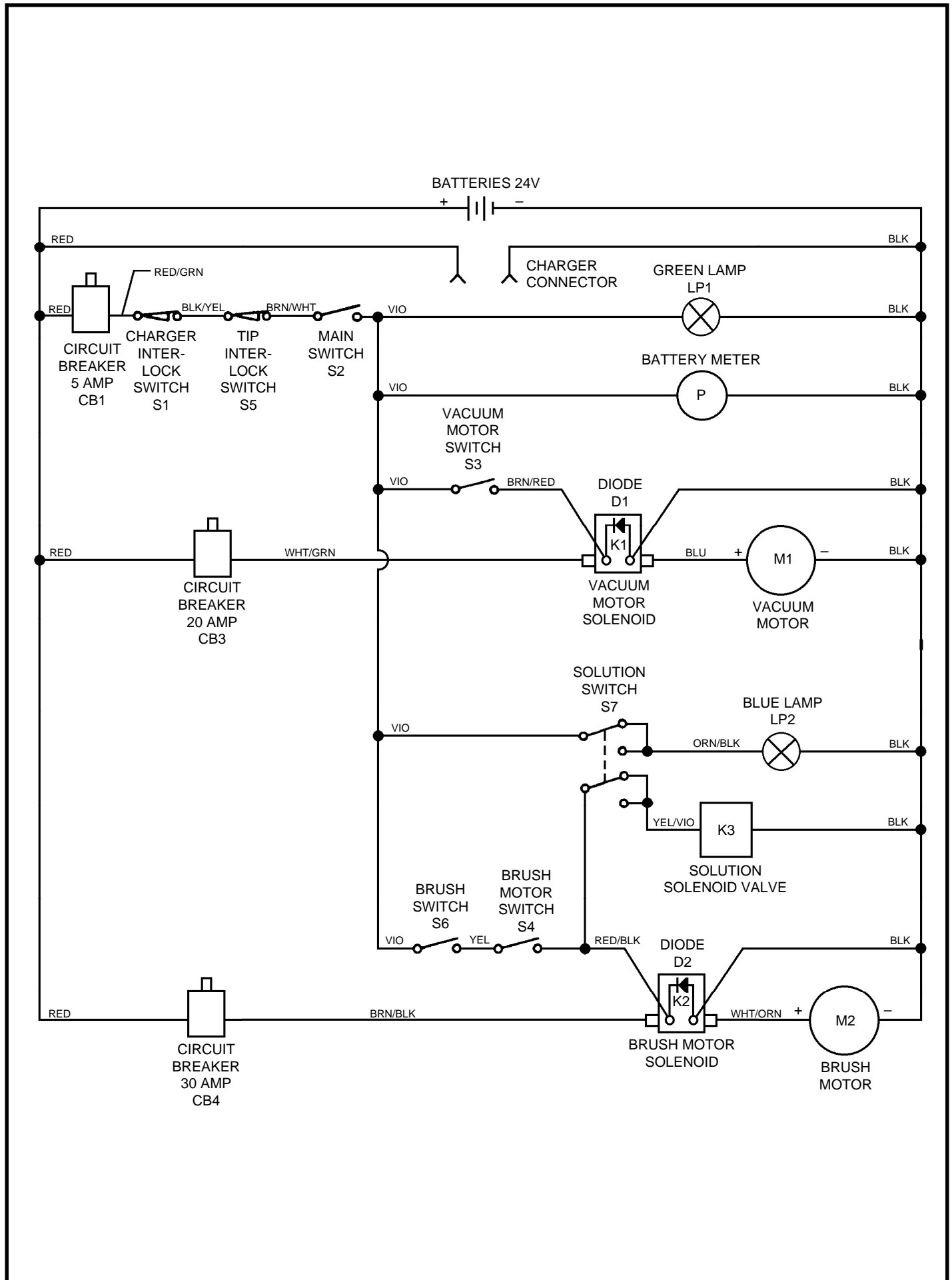
WIRING DIAGRAM - 200BD, LX (BEFORE SN 546361)

Item	Ref. No.	Qty	Description
	56100621	1	Charger Plug Housing 200BD & LX
	56100623	2	Charger Plug Contact 200BD & LX
	56454740	1	Potentiometer
	56324618	1	Speed Control Kit
	56324177	1	Wiring Harness
CB1	56387328	1	Circuit Breaker 5A
CB2	56395454	1	Circuit Breaker 20A - Wheel Drive Motor
CB3	56395454	1	Circuit Breaker 20A - Vacuum Motor
CB4	56454423	1	Circuit Breaker 30A - Brush Motor
K1	56468358	1	Vacuum Motor Solenoid
K2	56468358	1	Brush Motor Solenoid
K3	56324247	1	Solution Solenoid Valve
LP1	56389434	1	Green Light
LP2	56324028	1	Blue Light
M1	56324189	1	Vacuum Motor
M2	56386261	1	Brush Motor
M3	56324011	1	Wheel Drive Motor
P	56389528	1	Battery Meter
S1	56376435	1	Charger Interlock Switch
S2	56478640	1	Main Switch
S3	56388019	1	Vacuum Motor Switch
S4	56462362	1	Brush Motor Switch
S5	56324214	1	Tip Interlock Switch
S6	56483116	1	Solution Switch



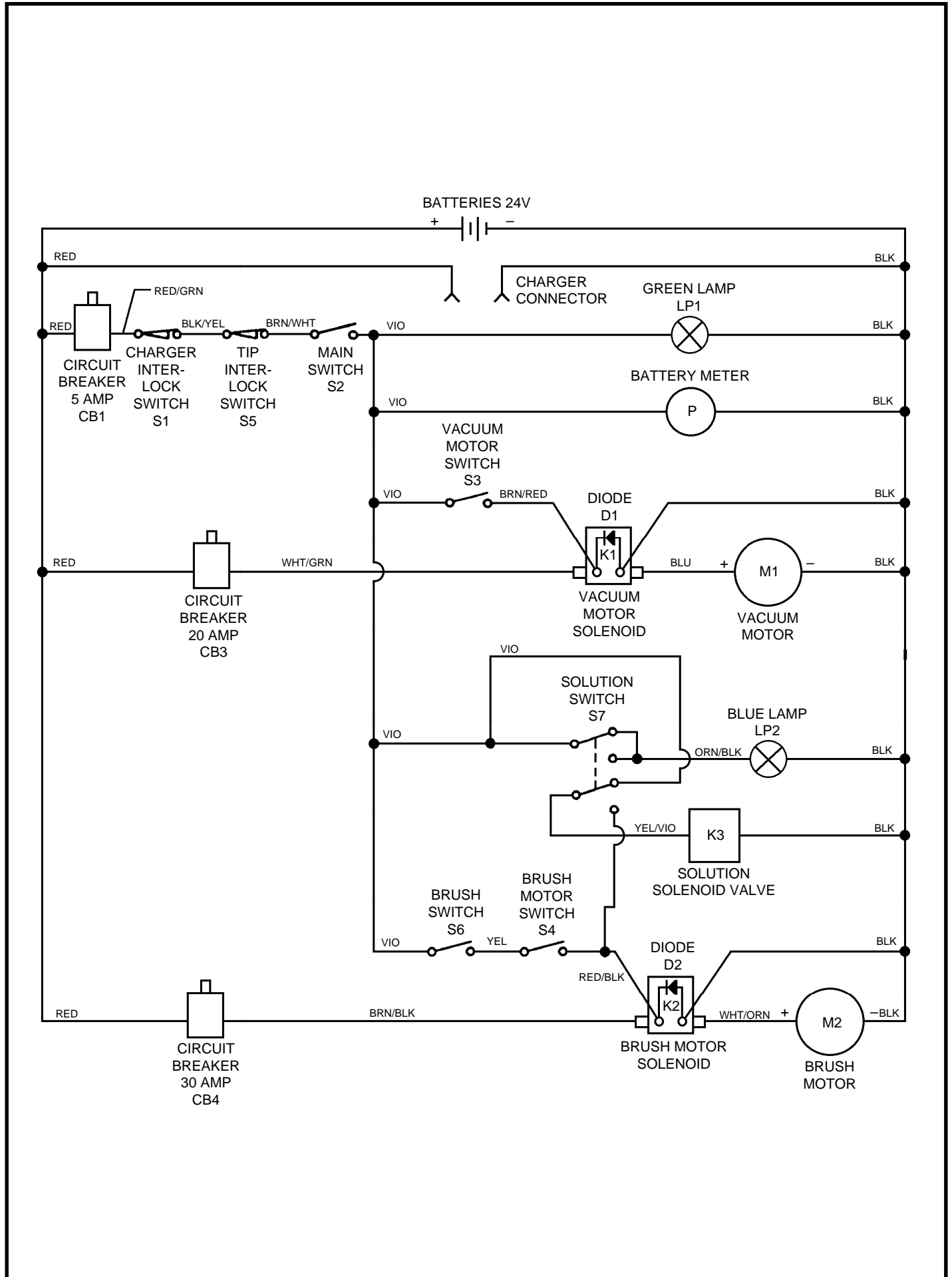
WIRING DIAGRAM - 200BD, LX (AFTER SN 546360)

Item	Ref. No.	Qty	Description
	56100621	1	Charger Plug Housing 200BD & LX
	56100623	2	Charger Plug Contact 200BD & LX
	56454740	1	Potentiometer
	56324618	1	Speed Control Kit TSB 660, G-9
	56324177	1	Wiring Harness
CB1	56387328	1	Circuit Breaker 5A
CB2	56395454	1	Circuit Breaker 20A - Wheel Drive Motor
CB3	56395454	1	Circuit Breaker 20A - Vacuum Motor
CB4	56454423	1	Circuit Breaker 30A - Brush Motor
K1	56468358	1	Vacuum Motor Solenoid
K2	56468358	1	Brush Motor Solenoid
K3	56324247	1	Solution Solenoid Valve
LP1	56389434	1	Green Light
LP2	56324028	1	Blue Light
M1	56324189	1	Vacuum Motor
M2	56386261	1	Brush Motor
M3	56324011	1	Wheel Drive Motor
P	56389528	1	Battery Meter
S1	56462362	1	Charger Interlock Switch
S2	56478640	1	Main Switch
S3	56324362	1	Vacuum Motor Switch
S4	56462362	1	Brush Motor Switch
S5	56324214	1	Tip Interlock Switch
S6	56324272	1	Solution Switch
X2	56462360	1	Connector Male
X3	56462361	1	Connector Female



WIRING DIAGRAM - 200B (BEFORE SN 551221)

Item	Ref. No.	Qty	Description
	56324305	1	Charger Plug Housing 200B
	56324306	2	Charger Plug Contact 200B
	56324237	1	Wiring Harness
CB1	56387328	1	Circuit Breaker 5A
CB3	56395454	1	Circuit Breaker 20A - Vacuum Motor
CB4	56454423	1	Circuit Breaker 30A - Brush Motor
K1	56468358	1	Vacuum Motor Solenoid
K2	56468358	1	Brush Motor Solenoid
K3	56324247	1	Solution Solenoid Valve
LP1	56389434	1	Green Light
LP2	56324028	1	Blue Light
M1	56324189	1	Vacuum Motor
M2	56386261	1	Brush Motor
P	56389528	1	Battery Meter
S1	56376435	1	Charger Interlock Switch
S2	56478640	1	Main Switch
S3	56388019	1	Vacuum Motor Switch
S4	56462362	1	Brush Motor Switch
S5	56324214	1	Tip Interlock Switch
S6	56385615	1	Brush Switch (old style, before SN 545844)
S6	56324362	1	Brush Switch (new style, after SN 545844)
S7	56483116	1	Solution Switch



WIRING DIAGRAM - 200B (AFTER SN 551220)

Item	Ref. No.	Qty	Description
	56324305	1	Charger Plug Housing 200B
	56324306	2	Charger Plug Contact 200B
	56324237	1	Wiring Harness
CB1	56387328	1	Circuit Breaker 5A
CB3	56395454	1	Circuit Breaker 20A - Vacuum Motor
CB4	56454423	1	Circuit Breaker 30A - Brush Motor
D1	56389265	1	Diode
D2	56389265	1	Diode
K1	56468358	1	Vacuum Motor Solenoid
K2	56468358	1	Brush Motor Solenoid
K3	56324247	1	Solution Solenoid Valve
LP1	56389434	1	Green Light
LP2	56324028	1	Blue Light
M1	56324189	1	Vacuum Motor
M2	56386261	1	Brush Motor
P	56389528	1	Battery Meter
S1	56376435	1	Charger Interlock Switch
S2	56478640	1	Main Switch
S3	56324362	1	Vacuum Motor Switch
S4	56462362	1	Brush Motor Switch
S5	56324214	1	Tip Interlock Switch
S6	56324362	1	Brush Switch
S7	56324272	1	Solution Switch



**Nilfisk
Advance**

setting standards

Nilfisk-Advance, Inc.

14600 21st Avenue North

Plymouth, MN 55447-3408

www.nilfisk-advance.com

Phone: 800-989-2235

Fax: 800-989-6566

©2003 Printed in the U.S.A.