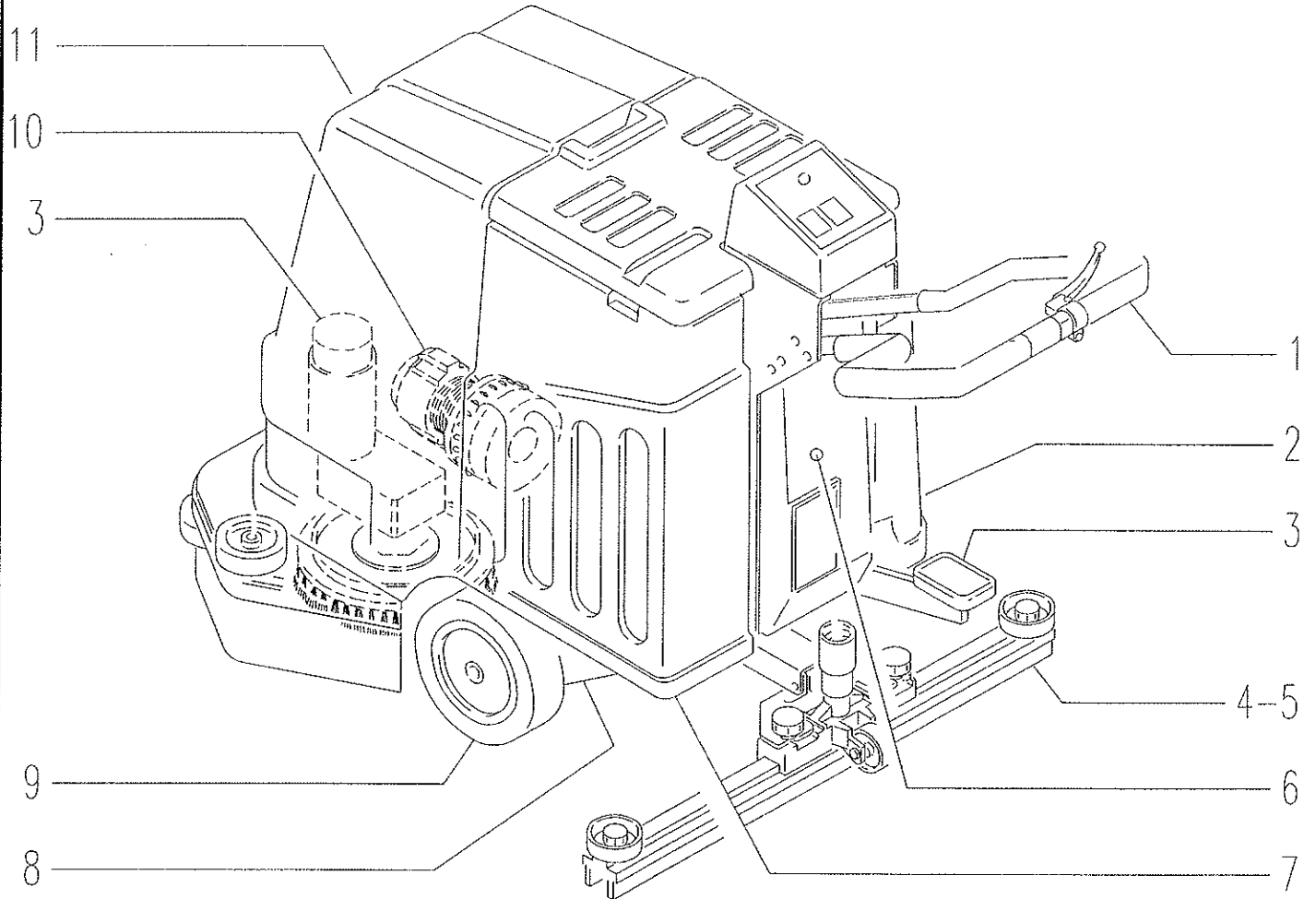


# LAVEUSE 55 BT

DESCRIPTION:

LAVEUSE 55 BT



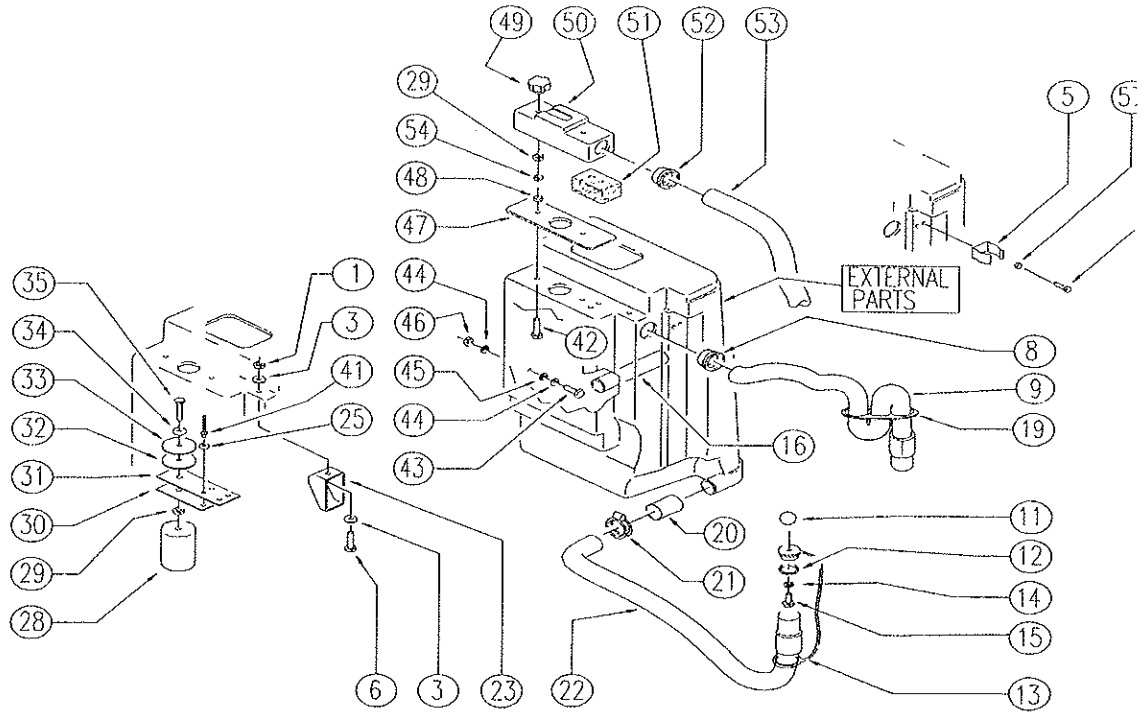
| REF. | PLANCHE | DESCRIPTION            |
|------|---------|------------------------|
| 1    | PL1197  | MANCHE                 |
| 2    | PL1199  | RESERVOIR RECUPERATION |
| 3    | PL1436  | TETE ET SOULEVEMENT    |
| 4    | PL1214  | SUCEUR                 |
| 5    | PL1114  | SUPPORT SUCEUR         |
| 6    | PL1437  | GROUPE ELECTRIQUE      |
| 7    | PL1438  | RESERVOIR SOLUTION     |
| 8    | PL1439  | CHASSIS                |
| 9    | PL1440  | TRACTION               |
| 10   | PL1441  | ASPIRATION             |
| 11   | PL1442F | EXTERNES PARTIES       |
|      | WD27020 | SCHEMA ELECTRIQUE      |
|      |         |                        |
|      |         |                        |
|      |         |                        |



# RESERVOIR 55BT

DESCRIPTION:

RESERVOIR



| REF. | CODE ICA | CODE FLOOR | QT | DESCRIPTION        | Qté à commander | Prix Public HT FF |
|------|----------|------------|----|--------------------|-----------------|-------------------|
| 1    |          | SL05016    | 1  | ECROU              |                 |                   |
| 3    |          | SL06034    | 2  | RONDELLE           |                 |                   |
| 5    |          | SL13014    | 1  | FIXE-TUYAU         |                 |                   |
| 6    |          | SL04152    | 1  | VIS                |                 |                   |
| 8    |          | SL07178    | 1  | DOUILLE            |                 |                   |
| 9    |          | SL19113-2  | 1  | TUYAU              |                 |                   |
| 11   |          | SL20015    | 1  | VOLANT A MAIN      |                 |                   |
| 12   |          | SL03315    | 1  | JOINT              |                 |                   |
| 13   |          | SL14237    | 1  | BOUCHON            |                 |                   |
| 14   |          | SL06022    | 3  | RONDELLE           |                 |                   |
| 15   |          | SL04002    | 1  | VIS                |                 |                   |
| 16   |          | SL07120    | 1  | ENTRETOISE         |                 |                   |
| 19   |          | SL03437    | 1  | PLATINE            |                 |                   |
| 20   |          | MP03196    | 1  | GUAINÉ             |                 |                   |
| 21   |          | SL14063    | 1  | BANDE              |                 |                   |
| 22   |          | SL19113-1  | 1  | TUYAU              |                 |                   |
| 23   |          | SL17155-1  | 1  | DEFLECTEUR         |                 |                   |
| 24   |          | SL05044    | 2  | ECROU              |                 |                   |
| 25   |          | SL06031    | 5  | RONDELLE           |                 |                   |
| 28   |          | SL18065    | 1  | FLÔTEUR            |                 |                   |
| 29   |          | SL05017    | 3  | ECROU              |                 |                   |
| 30   |          | SL09364    | 1  | PLAQUE             |                 |                   |
| 31   |          | SL03111    | 1  | CALE EN CAOUTCHOUC |                 |                   |
| 32   |          | SL03110    | 1  | BOUCHON            |                 |                   |
| 33   |          | SL03235    | 1  | BOUCHON            |                 |                   |
| 34   |          | SL06071    | 1  | RONDELLE           |                 |                   |
| 35   |          | SL04087    | 1  | VIS                |                 |                   |
| 40   |          | SL06033    | 2  | RONDELLE           |                 |                   |
| 41   |          | SL14006    | 2  | RIVET              |                 |                   |
| 42   |          | SL04140    | 2  | VIS                |                 |                   |
| 43   |          | SL04145    | 1  | VIS                |                 |                   |
| 44   |          | SL06025    | 2  | RONDELLE           |                 |                   |
| 45   |          | SL03122    | 1  | RONDELLE           |                 |                   |
| 46   |          | SL05039    | 1  | ECROU              |                 |                   |
| 47   |          | SL03113    | 1  | JOINT              |                 |                   |
| 48   |          | SL06071    | 2  | RONDELLE           |                 |                   |
| 49   |          | SL20006    | 2  | VOLANT A MAIN      |                 |                   |
| 50   |          | SL17141-1  | 1  | BOITE DU FILTRE    |                 |                   |
| 51   |          | SL03109    | 1  | FILTRE             |                 |                   |
| 52   |          | SL07044    | 1  | DOUILLE            |                 |                   |
| 53   |          | SL19100    | 1  | TUYAU              |                 |                   |
| 54   |          | SL06023    | 2  | RONDELLE           |                 |                   |
| 57   |          | SL06056    | 2  | RONDELLE           |                 |                   |
| 58   |          | SL04213    | 2  | VIS                |                 |                   |
| 56   |          | SL06023    |    | RONDELLE           |                 |                   |
| 57   |          | SL06056    |    | RONDELLE           |                 |                   |
| 58   |          | SL04213    |    | VIS                |                 |                   |



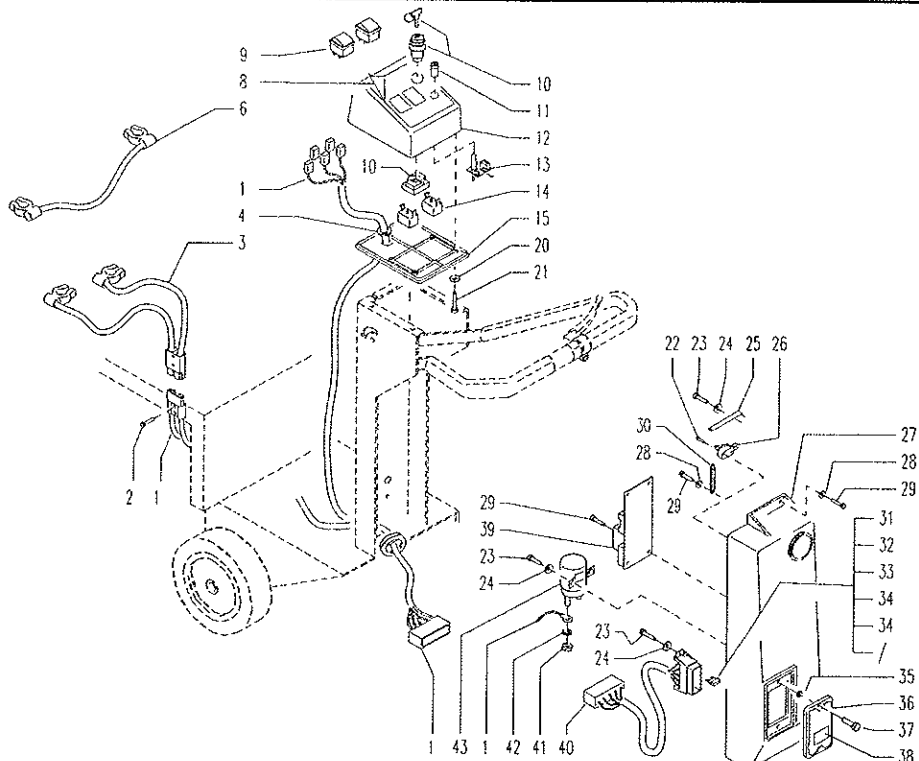




GRUPE ELECTRIQUE 55BT

PL1437

|              |  |  |  |                  |  |  |  |  |  |  |
|--------------|--|--|--|------------------|--|--|--|--|--|--|
| DESCRIPTION: |  |  |  | GRUPE ELECTRIQUE |  |  |  |  |  |  |
|--------------|--|--|--|------------------|--|--|--|--|--|--|



| REF. | CODE ICA | CODE FLOOR | QT | DESCRIPTION             | Qté à commander | Prix Public HT FF | Alerte 1 | Alerte 2 | Alerte 3 | Stock Alerte |
|------|----------|------------|----|-------------------------|-----------------|-------------------|----------|----------|----------|--------------|
| 1    |          | SL23784K   | 1  | CABLAGE                 |                 |                   |          |          |          |              |
| 2    |          | SL04211    | 2  | VIS                     |                 |                   |          |          |          |              |
| 3    |          | SL23168K   | 1  | CABLAGE                 |                 |                   |          |          |          |              |
| 4    |          | SL23116    | 1  | PASSE-CABLE             |                 |                   |          |          |          |              |
| 6    |          | SL23017    | 1  | PONT                    |                 |                   |          |          |          |              |
| 8    |          | SL25179N   | 1  | ADHESIF                 |                 |                   |          |          |          |              |
| 9    |          | SL23183    | 2  | INTERRUPTEUR            |                 |                   |          |          |          |              |
| 10   |          | SL23026    | 1  | INTERRUPTEUR            |                 |                   |          |          |          |              |
| 11   |          | SL23031-1  | 1  | PASTILLE REFLECHISSANTE |                 |                   |          |          |          |              |
| 12   |          | SL17175    | 1  | TABEUAU CONTROLES       |                 |                   |          |          |          |              |
| 13   |          | SL23031    | 1  | FICHE DE CONTROLE       |                 |                   |          |          |          |              |
| 14   |          | SL23154    | 3  | CONTACT                 |                 |                   |          |          |          |              |
| 15   |          | SL17178    | 1  | COUVERCLE               |                 |                   |          |          |          |              |
| 20   |          | SL06031    | 4  | RONDELLE                |                 |                   |          |          |          |              |
| 21   |          | SL04177    | 4  | VIS                     |                 |                   |          |          |          |              |
| 22   |          | SL04178    | 4  | VIS                     |                 |                   |          |          |          |              |
| 23   |          | SL04176    | 5  | VIS                     |                 |                   |          |          |          |              |
| 24   |          | SL06014    | 5  | RONDELLE                |                 |                   |          |          |          |              |
| 25   |          | SL09499    | 1  | FEUILLE                 |                 |                   |          |          |          |              |
| 26   |          | SL23120    | 2  | MICRO-INTERRUPTEUR      |                 |                   |          |          |          |              |
| 27   |          | SL17166    | 1  | COUVERTURE              |                 |                   |          |          |          |              |
| 28   |          | SL06019    | 2  | RONDELLE                |                 |                   |          |          |          |              |
| 29   |          | SL04079    | 6  | VIS                     |                 |                   |          |          |          |              |
| 30   |          | SL13026    | 1  | RESSORT                 |                 |                   |          |          |          |              |
| 31   |          | SL23650    | 1  | FUSIBLE                 |                 |                   |          |          |          |              |
| 32   |          | SL23145    | 1  | FUSIBLE                 |                 |                   |          |          |          |              |
| 33   |          | SL23145    | 1  | FUSIBLE                 |                 |                   |          |          |          |              |
| 34   |          | SL23147    | 2  | FUSIBLE                 |                 |                   |          |          |          |              |
| 35   |          | SL03116    | 2  | JOINT                   |                 |                   |          |          |          |              |
| 36   |          | SL17149-1  | 1  | COUVERCLE               |                 |                   |          |          |          |              |
| 37   |          | SL04027    | 2  | VIS                     |                 |                   |          |          |          |              |
| 38   |          | SL25178    | 1  | ADHESIF                 |                 |                   |          |          |          |              |
| 39   |          | SL23330    | 1  | FICHE DE CONTROLE       |                 |                   |          |          |          |              |
| 40   |          | SL23793    | 1  | CABLAGE                 |                 |                   |          |          |          |              |
| 41   |          | SL05004    | 2  | ECROU                   |                 |                   |          |          |          |              |
| 42   |          | SL06002    | 2  | RONDELLE                |                 |                   |          |          |          |              |
| 43   |          | SL23001    | 1  | TELE-INTERRUPTEUR       |                 |                   |          |          |          |              |



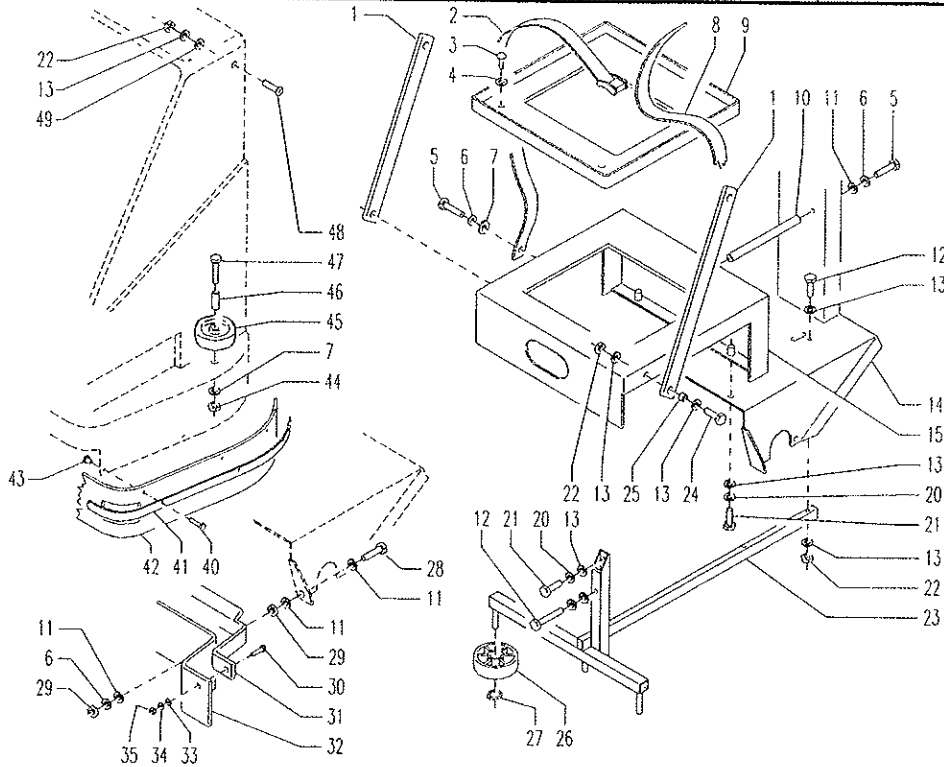


CHASSIS 55BT

PL1439

DESCRIPTION:

CHASSIS



| REF. | CODE ICA | CODE FLOOR | QT | DESCRIPTION    | Qté à commander | Prix Public HT FF | Alerte 1 | Alerte 2 | Alerte 3 | Stock Alerte |
|------|----------|------------|----|----------------|-----------------|-------------------|----------|----------|----------|--------------|
| 1    |          | SL09351    | 2  | LEVIER         |                 |                   |          |          |          |              |
| 2    |          | SL14034    | 1  | COURROIE       |                 |                   |          |          |          |              |
| 3    |          | SL04079    | 2  | VIS            |                 |                   |          |          |          |              |
| 4    |          | SL06032    | 2  | RONDELLE       |                 |                   |          |          |          |              |
| 5    |          | SL04195    | 3  | VIS            |                 |                   |          |          |          |              |
| 6    |          | SL06023    | 5  | RONDELLE       |                 |                   |          |          |          |              |
| 7    |          | SL06039    | 6  | RONDELLE       |                 |                   |          |          |          |              |
| 8    |          | SL14035    | 1  | COURROIE       |                 |                   |          |          |          |              |
| 9    |          | SL17162-1  | 1  | PLAT           |                 |                   |          |          |          |              |
| 10   |          | SL09349    | 1  | ENTRETOISE     |                 |                   |          |          |          |              |
| 11   |          | SL06022    | 5  | RONDELLE       |                 |                   |          |          |          |              |
| 12   |          | SL04155    | 3  | VIS            |                 |                   |          |          |          |              |
| 13   |          | SL06041    | 14 | RONDELLE       |                 |                   |          |          |          |              |
| 14   |          | SL09482    | 1  | SOCLE          |                 |                   |          |          |          |              |
| 15   |          | SL09509    | 1  | SUPPORT        |                 |                   |          |          |          |              |
| 20   |          | SL06057    | 4  | RONDELLE       |                 |                   |          |          |          |              |
| 21   |          | SL04194    | 3  | VIS            |                 |                   |          |          |          |              |
| 22   |          | SL05039    | 4  | ECROU          |                 |                   |          |          |          |              |
| 23   |          | SL09468    | 1  | CADRE          |                 |                   |          |          |          |              |
| 24   |          | SL04203    | 2  | VIS            |                 |                   |          |          |          |              |
| 25   |          | SL07062    | 2  | DOUILLE        |                 |                   |          |          |          |              |
| 26   |          | SL08023    | 2  | ROUE           |                 |                   |          |          |          |              |
| 27   |          | SL11014    | 2  | ANNEAU / BAGUE |                 |                   |          |          |          |              |
| 28   |          | SL04136    | 2  | VIS            |                 |                   |          |          |          |              |
| 29   |          | SL05017    | 4  | ECROU          |                 |                   |          |          |          |              |
| 30   |          | SL04032    | 4  | VIS            |                 |                   |          |          |          |              |
| 31   |          | SL09471    | 1  | SUPPORT        |                 |                   |          |          |          |              |
| 32   |          | SL03124    | 1  | FLAP           |                 |                   |          |          |          |              |
| 33   |          | SL06031    | 4  | RONDELLE       |                 |                   |          |          |          |              |
| 34   |          | SL06033    | 4  | RONDELLE       |                 |                   |          |          |          |              |
| 35   |          | SL05044    | 4  | ECROU          |                 |                   |          |          |          |              |
| 40   |          | SL04174    | 10 | VIS            |                 |                   |          |          |          |              |
| 41   |          | SL17193    | 1  | SERRE FLAP     |                 |                   |          |          |          |              |
| 42   |          | SL03132    | 1  | FLAP           |                 |                   |          |          |          |              |
| 43   |          | SL05055    | 10 | ECROU          |                 |                   |          |          |          |              |
| 44   |          | SL05041    | 2  | ECROU          |                 |                   |          |          |          |              |
| 45   |          | SL08015    | 2  | ROUE           |                 |                   |          |          |          |              |
| 46   |          | SL07165    | 2  | ENTRETOISE     |                 |                   |          |          |          |              |
| 47   |          | SL04009    | 2  | VIS            |                 |                   |          |          |          |              |
| 48   |          | SL04105    | 2  | VIS            |                 |                   |          |          |          |              |
| 49   |          | SL06040    | 2  | RONDELLE       |                 |                   |          |          |          |              |

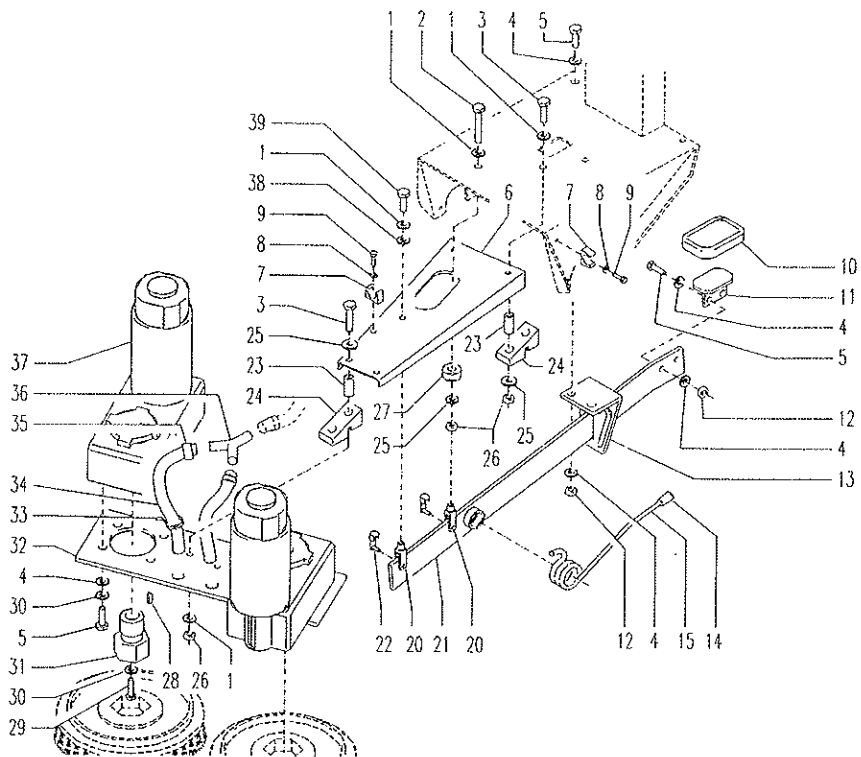


MANCHE 55BT

PL1436

DESCRIPTION:

MANCHE



| REF. | CODE ICA | CODE FLOOR | QT | DESCRIPTION        | Qté à commander | Prix Public HT FF | Alerte 1 | Alerte 2 | Alerte 3 | Stock Alerte |
|------|----------|------------|----|--------------------|-----------------|-------------------|----------|----------|----------|--------------|
| 1    |          | SL06041    | 6  | RONDELLE           |                 |                   |          |          |          |              |
| 2    |          | SL04200    | 1  | VIS                |                 |                   |          |          |          |              |
| 3    |          | SL04155    | 2  | VIS                |                 |                   |          |          |          |              |
| 4    |          | SL06022    | 16 | RONDELLE           |                 |                   |          |          |          |              |
| 5    |          | SL04002    | 10 | VIS                |                 |                   |          |          |          |              |
| 6    |          | SL09467    | 1  | BRAS               |                 |                   |          |          |          |              |
| 7    |          | SL23327    | 2  | CLIP               |                 |                   |          |          |          |              |
| 8    |          | SL06019    | 2  | RONDELLE           |                 |                   |          |          |          |              |
| 9    |          | SL04079    | 2  | VIS                |                 |                   |          |          |          |              |
| 10   |          | SL20013    | 1  | GOMME PEDALE       |                 |                   |          |          |          |              |
| 11   |          | SL09133    | 1  | PEDALE             |                 |                   |          |          |          |              |
| 12   |          | SL05041    | 4  | ECROU              |                 |                   |          |          |          |              |
| 13   |          | SL09472    | 1  | ARRET PEDALE       |                 |                   |          |          |          |              |
| 14   |          | SL20025    | 1  | POIGNEE            |                 |                   |          |          |          |              |
| 15   |          | SL13047    | 1  | RESSORT            |                 |                   |          |          |          |              |
| 20   |          | SL22008    | 2  | FOURCHE            |                 |                   |          |          |          |              |
| 21   |          | SL09470    | 1  | LEVIER             |                 |                   |          |          |          |              |
| 22   |          | SL22010    | 2  | CLIPS              |                 |                   |          |          |          |              |
| 23   |          | SL07176    | 4  | ENTRETOISE         |                 |                   |          |          |          |              |
| 24   |          | SL03121    | 4  | SILENT BLOCK       |                 |                   |          |          |          |              |
| 25   |          | SL06025    | 5  | RONDELLE           |                 |                   |          |          |          |              |
| 26   |          | SL05039    | 5  | ECROU              |                 |                   |          |          |          |              |
| 27   |          | SL03104    | 2  | CALE EN CAOUTCHOUC |                 |                   |          |          |          |              |
| 28   |          | SL11002    | 2  | LANGUETTE          |                 |                   |          |          |          |              |
| 29   |          | SL04063    | 2  | VIS                |                 |                   |          |          |          |              |
| 30   |          | SL06001    | 10 | RONDELLE           |                 |                   |          |          |          |              |
| 31   |          | SL14107    | 2  | HEXAGONE           |                 |                   |          |          |          |              |
| 32   |          | SL09469    | 1  | TETE               |                 |                   |          |          |          |              |
| 33   |          | SL14112    | 2  | BANDE              |                 |                   |          |          |          |              |
| 34   |          | SL10150    | 2  | TUYAU              |                 |                   |          |          |          |              |
| 35   |          | SL14109    | 2  | BANDE              |                 |                   |          |          |          |              |
| 36   |          | SL18158    | 1  | RACCORD            |                 |                   |          |          |          |              |
| 37   |          | SL02101    | 2  | MOTEUR             |                 |                   |          |          |          |              |
| 38   |          | SL06002    | 2  | RONDELLE           |                 |                   |          |          |          |              |
| 39   |          | SL04134    | 2  | VIS                |                 |                   |          |          |          |              |





