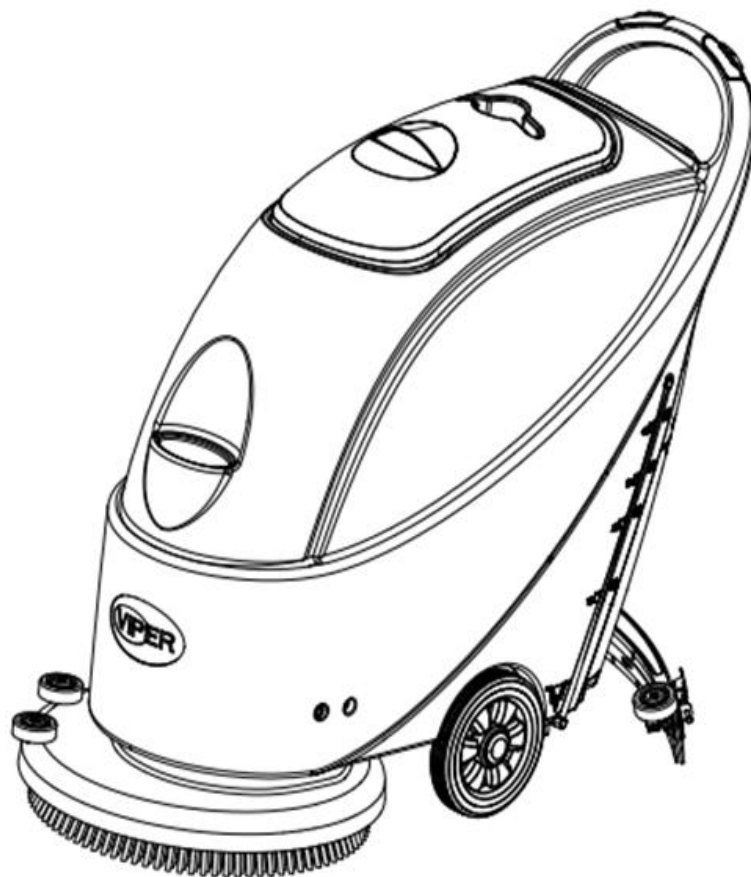




AS430B & AS510B

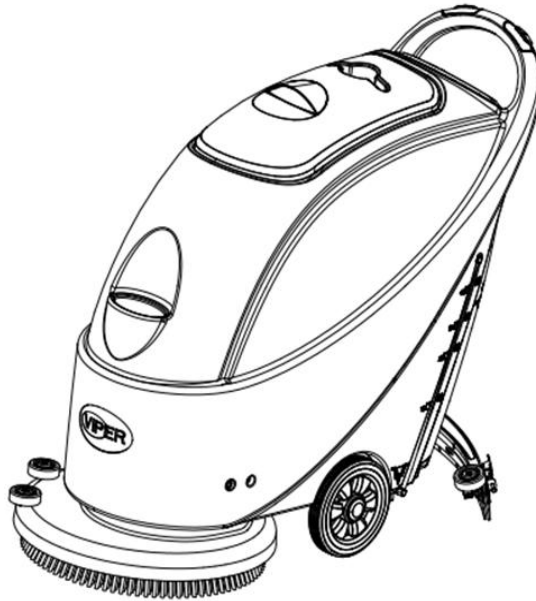
PART LIST



Company information:
www.vipercleaning.eu
info-eu@vipercleaning.com

VF90013-EU
Rev.01

TABLE OF CONTENTS
AS430B/AS510B PART LIST



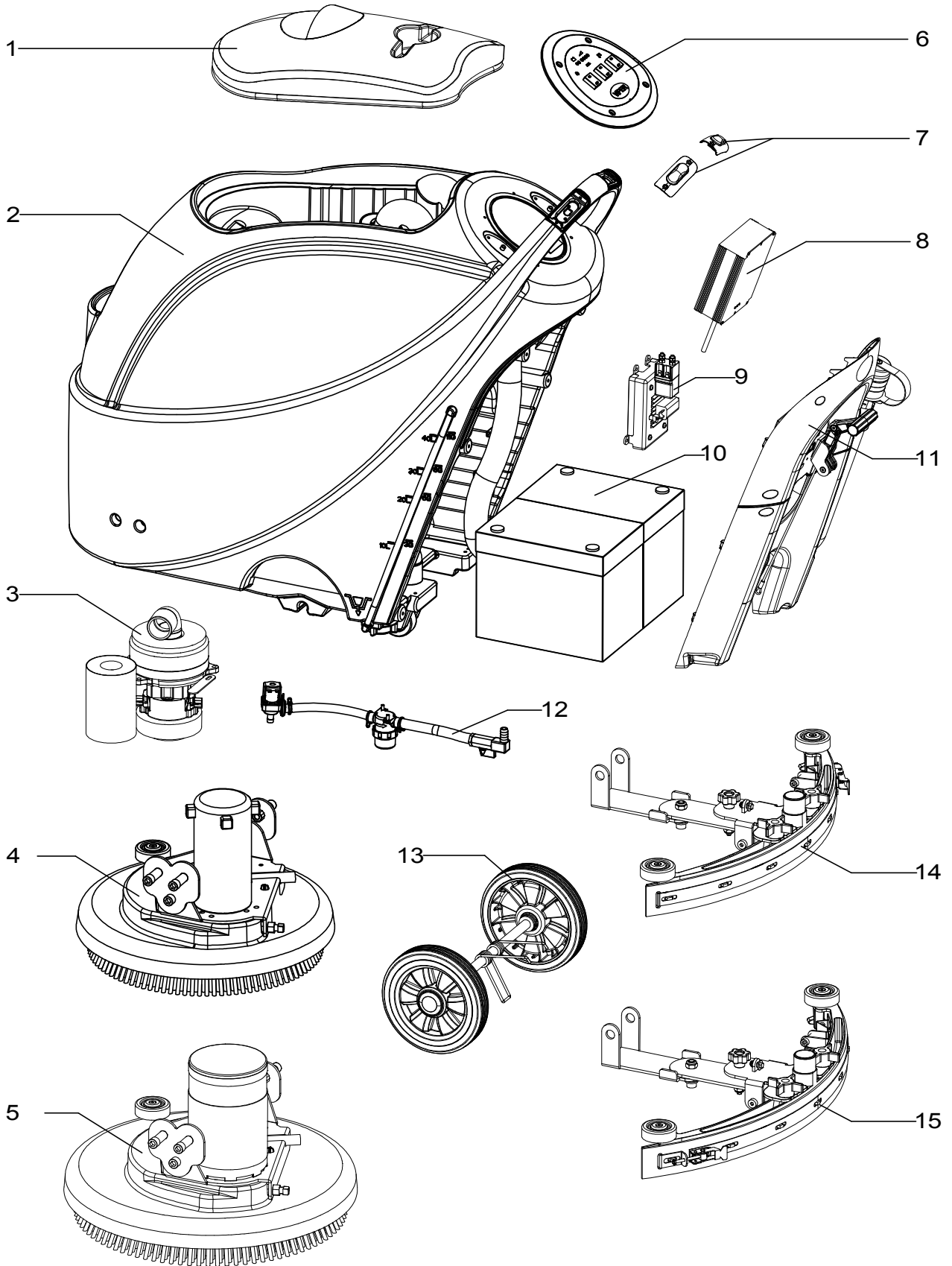
GB	Page
GENERAL VIEW	2-3
TANK SYSTEM	4-5
CONTROL SYSTEM AND ELECTRICAL SYSTEM	6-7
WHEELS AND SOLUTION SYSTEM	8-9
BRUSH SYSTEM	10-11
SQUEEGEE SYSTEM	12-13
WEAR AND TEAR PARTS	14-15
WIRING DIAGRAM	16

WHEN ORDERING PARTS

- * Use the 7,8 or 9 digit numbers from the "PART NO." columns in this parts list .
- * Specify the model and serial number of the machine.
- * Use the space below to record the model and serial number for future reference.

Model _____ Serial No. _____

GENERAL VIEW
AS430B / AS510B PART LIST



GENERAL VIEW

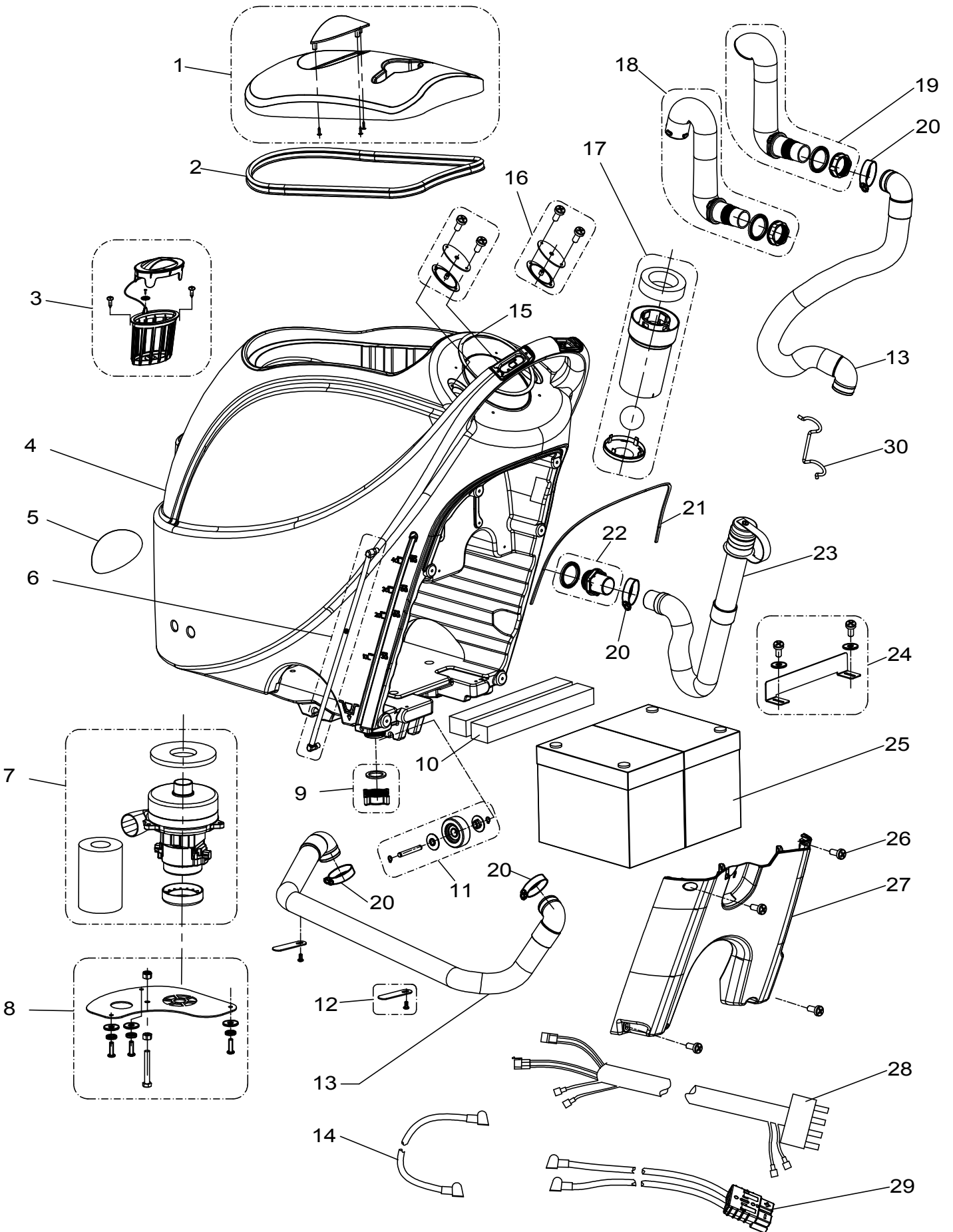
AS430B/AS510B PART LIST

Item	Description	Qty
1	COVER TANK ASSEMBLY	1
2	TANK ASSEMBLY	1
3	SUCTION PUMP SYSTEM	1
4A	17"BRUSH SYSTEM	1
5B	20"BRUSH SYSTEM	1
6	SWITCH PANEL ASSEMBLY	1
7	SAFETY SWITCH ASSEMBLY	1
8	CHARGER	1
9	CONTROL PANEL BOARD	1
10	BATTERY ASSEMBLY	1
11	CONTROL PANEL SYSTEM	1
12	SOLUTION SYSTEM	1
13	WHEEL ASSEMBY	1
14A	17"SQUEEGEE SYSTEM	1
15B	20"SQUEEGEE SYSTEM	1

A = Only for AS430B

B = Only for AS510B

TANK SYSTEM
AS430B / AS510B PART LIST



TANK SYSTEM

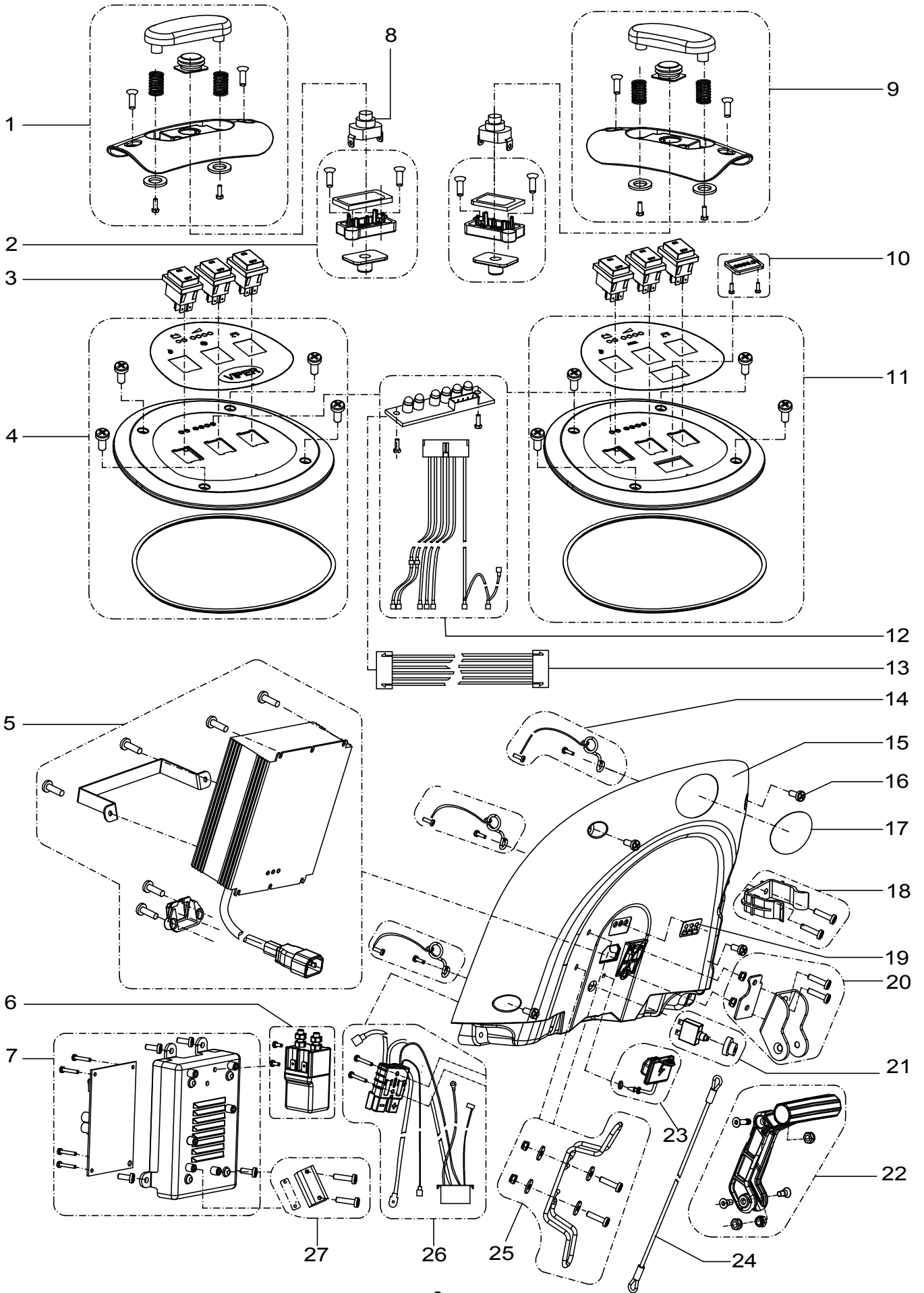
AS430B/AS510B PART LIST

Item	Part No.	Description	Qty
1	VF90535	RECOVERY TANK KIT	1
2	VF90504	GASKET	1
3	VF90619	TANK FILTER NET KIT	1
4	VF90501	TANK (BATTERY MODLE)	1
5	VF90011	LOGO LABEL	1
6	VF90622	WATER LEVEL KIT	1
7	VF90293	VACUUM MOTOR KIT	1
8	VF90264	VACUUM MOTOR COVER KIT	1
9	VF90536	OUTLET COVER KIT	1
10	VF90533	BATTERY SPACER PANEL	2
11	VF90312	2.5" WHEEL KIT	1
12	VF90537	FIX PANEL KIT	1
13	VF90508	SUCTION HOSE	2
14	VF90246	BATTERY CABLE	1
15	VF90231	GASKET	1
16	VF90265	SEAL PLATE KIT	2
17	VF90534	FLOAT KIT	1
18	VF90538	SUCTION TUBE CONNECTER KIT	1
19	VF90539	DISCHARGE SEWAGE HOSE KIT	1
20	VV10113	CLAMP 2"	4
21	VF90218	CONTROL SEAL GASKET	1
22	VF90446	DRAIN HOSE CONNECTER KIT	1
23	VF90443	DRAIN HOSE-38	1
24	VF90540	BATTERY BRACKET KIT	1
25A	N/A	BATTERY 12V 85Ah/20h AGM	2
25B	N/A	BATTERY 12V 105Ah/20h AGM	2
26	GT13054	SCREW TM5x12	4
27	VF90206	BATTERY COVER	1
28	VF90254	MOTOR CABLE ASSEMBLE	1
29	VF90247	POWER CABLE	1
30	VF83150	CLAMP,HOSE	1

A = Only for AS430B

B = Only for AS510B

**CONTROL SYSTEM AND ELECTRICAL SYSTEM
AS430B / AS510B PART LIST**



CONTROL SYSTEM AND ELECTRICAL SYSTEM

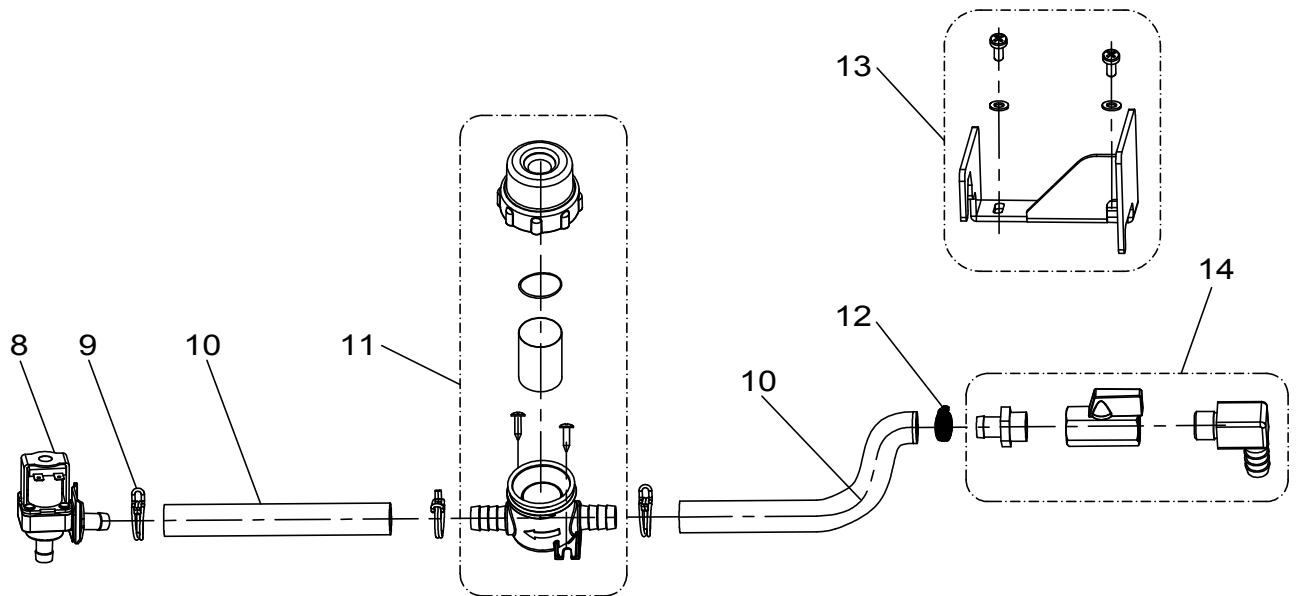
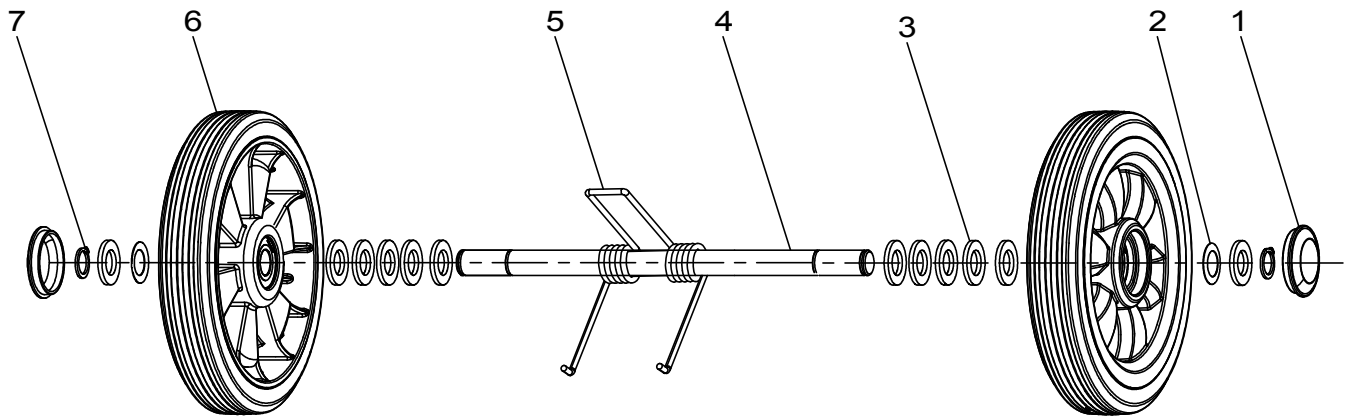
AS430B/AS510B PART LIST

Item	Part No.	Description	Qty
1	VF90266	SAFETY SWITCH KNOB LEFT KIT	1
2	VF90268	SWITCH FIX FRAME KIT	2
3	VV60153	SWITCH RL2(P)	3
4A	VF90269	17" SWITCH COVER KIT	1
5	VF90271-EU	CHARGER KIT	1
	VF90271-UK	CHARGER KIT	1
6	VF90292	ELECTOMAGNETIC SWITCH KIT	1
7	VF90272	17" CONTROL CIRCUIT BOARD KIT	1
8	VF90252	SWITCH	2
9	VF90267	SAFETY SWITCH KNOB LEFT KIT	1
10	VF90291	HOUR METER KIT	1
11B	VF90270	20" SWITCH COVER KIT	1
12A	VF90290	17"LED BOARD CONNENTER CABLE KIT	1
12B	VF90290-1	20"LED BOARD CONNENTER CABLE KIT	
13	VF90238-3	CONTROL PANEL CONNENTER CABLE	1
14	VF90274	NYLON CABLE HOOK KIT	3
15	VF90205	COVER CONTROL HOUSING	1
16	GT13054	SCREW TM5x12	4
17A	VF90003-EU	17" SERIAL NUMBER LABEL	1
	VF90003-UK	17" SERIAL NUMBER LABEL	1
	VF90007-EU	20" SERIAL NUMBER LABEL	1
17B	VF90007-UK	20" SERIAL NUMBER LABEL	1
18	VF90275	CLAMP DRAIN HOSE KIT	1
19	VF90004	LABEL BATTERY LEVEL	1
20	VF90276	HAND BRACKET KIT	1
21	VF90278	CIRCUIT BREAKER KIT	1
22	VF90277	HANDLE LIFT KIT	1
23	VF90279	POWER SAFETY COVER KIT	1
24	VF90114	CABLE SQUEEGEE LIFT	1
25	VF90280	CABLE SUPPORT KIT	1
26	VF90281	MAIN CABLE KIT	1
27	VF90289	FUSE KIT	1

A = Only for AS430B

B = Only for AS510B

WHEELS AND SOLUTION SYSTEM AS430B / AS510B PART LIST

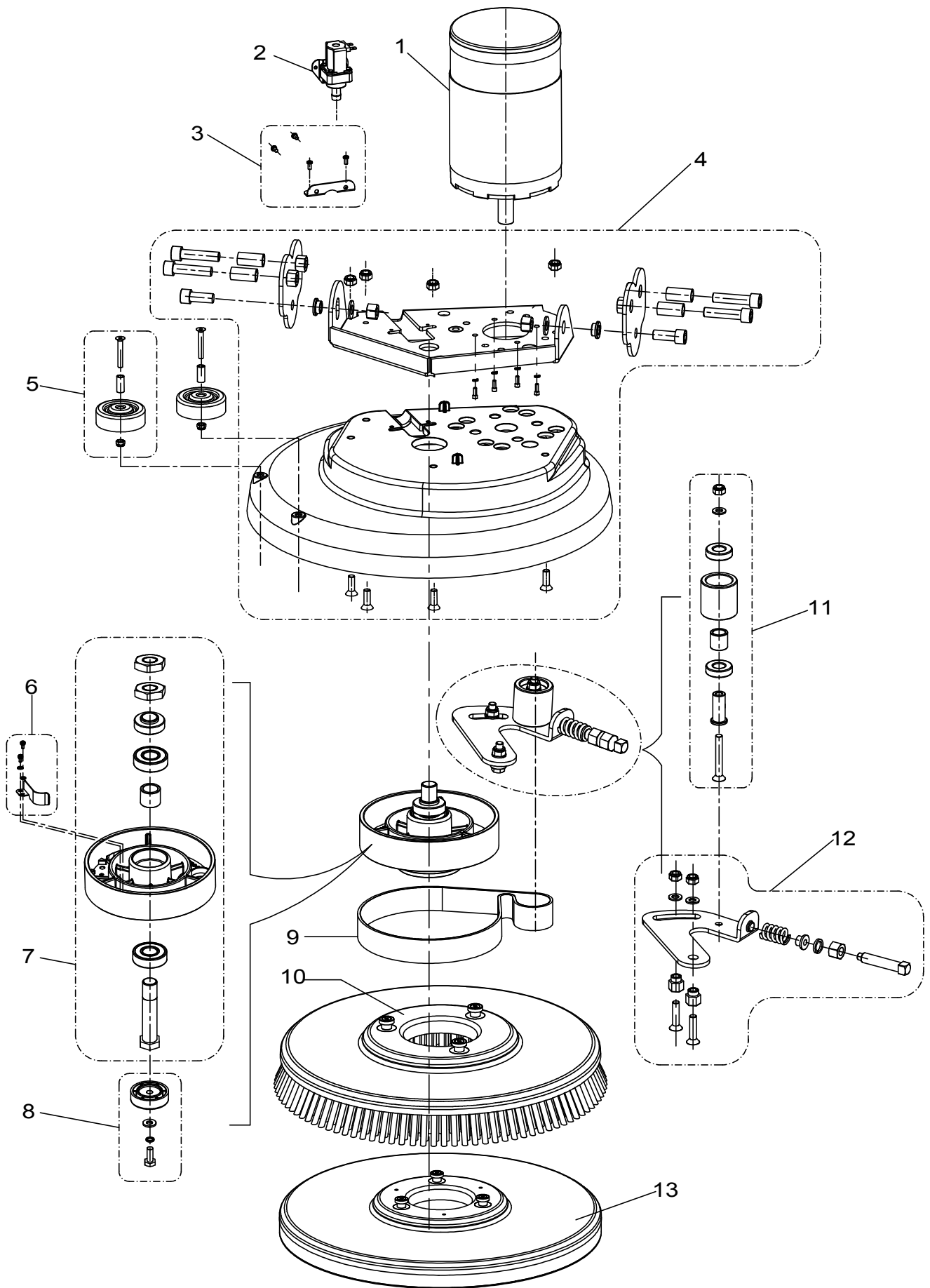


WHEELS AND SOLUTION SYSTEM

AS430B/AS510B PART LIST

Item	Part No.	Description	Qty
1	VF89203	WHEEL COVER	2
2	VF14563	LEVILLE WASHER	2
3	VF14554	WHASHER	12
4	VF90304	WHEEL SHAFT	1
5	VF82172	SPRING 70°	1
6	VF90305	8" WHEEL	2
7	VF14552	RING D 17	2
8	VF90282	SOLENOID VALVE KIT	1
9	VF82148	CLAMP,HOSE	3
10	MAIN69A	TUBING	2
11	VF90621	FILTER KIT	1
12	VV10114	CLAMP	1
13	VF90623	SOLENOID VALVE BRACKET KIT	1
14	VF90624	BALL VALVE KIT	1

BRUSH SYSTEM AS430B /AS510B PART LIST



BRUSH SYSTEM

AS430B/AS510B PART LIST

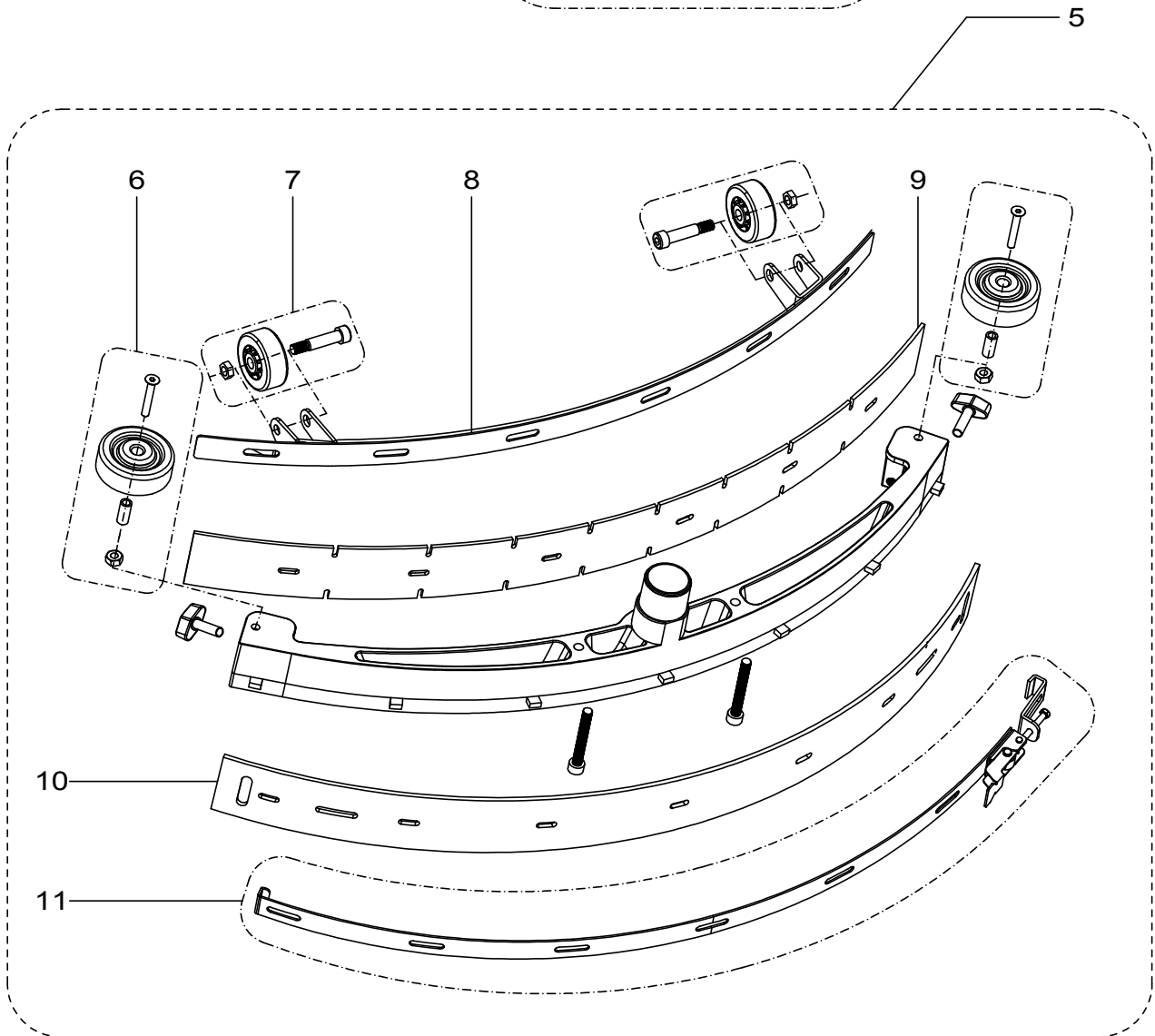
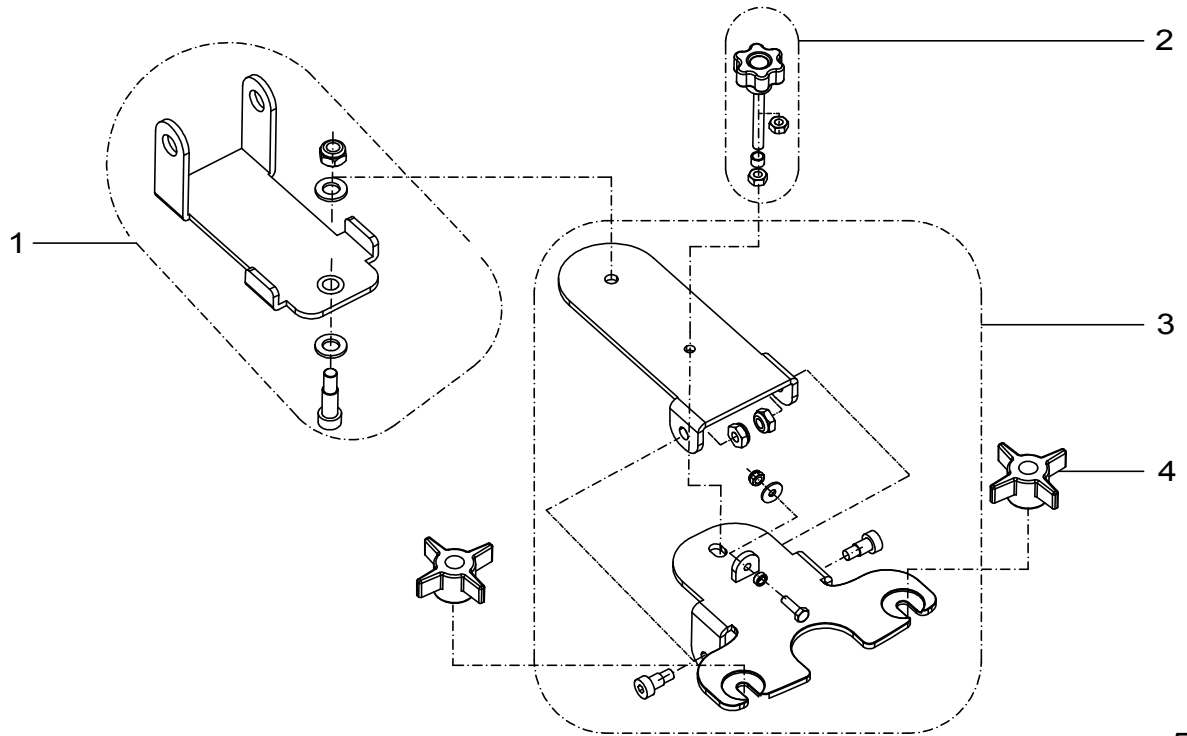
Item	Part No.	Description	Qty
1A	VF90256EU	17" BRUSH MOTOR KIT	1
1B	VF90257EU	20" BRUSH MOTOR KIT	1
2	VF90282	SOLENOID VALVE KIT	1
3	VF90447	SOLENOID VALVE BRACKET KIT	1
4A	VF90448	17" BRUSH SUPPORT KIT	1
4B	VF90449	20" BRUSH SUPPORT KIT	1
5	VF90137	BUMPER ROLLER KIT	1
6	VF90450	BRUSH SPRING CLIP KIT	1
7	VF90444	DRIVEN PULLEY KIT	1
8	VF90451	VIBRATION GASKET KIT	1
9	VF90408	BELT	1
10A	VF90411	17"BRUSH	1
10B	VF90417	20"BRUSH	1
11	VF90445	TENSION WHEEL KIT	1
12	VF90452	ROD, TENSION WHEEL KIT	1
13A	VF90428	17" PAD	1
13B	VF90416	20" PAD	1

A = Only for AS430B

B = Only for AS510B

SQUEEGEE SYSTEM

AS430B / AS510B PART LIST



SQUEEGEE SYSTEM
AS430B/AS510B PART LIST

Item	Part No.	Description	Qty
1	VF90140	FRONT-SQUEEGEE-SUPPORT KIT	1
2	VF90141	HAND WHEEL KIT	1
3	VF90142	BACK-SQUEEGEE-SUPPORT KIT	1
4	VF81210	KNOB	2
5A	VF90134	17" SQUEEGEE KIT	1
5B	VF90135	20" SQUEEGEE KIT	1
6	VF90137	BUMPER ROLLER KIT	2
7	VF90136	SQUEEGEE ROLL WHEEL KIT	2
8A	VF90102	17" STRAP, SQUEEGEE FRONT	1
8B	VF90118	20" STRAP, SQUEEGEE FRONT	1
9A	VF90103	17" BLADE FRONT	1
9B	VF90119	20" BLADE FRONT	1
10A	VF90104	17" BLADE REAR	1
10B	VF90120	20" BLADE REAR	1
11A	VF90138	17" STRAP, SQUEEGEE BACK KIT	1
11B	VF90139	20" STRAP, SQUEEGEE BACK KIT	1

A = Only for AS430B

B = Only for AS510B

WEAR AND TEAR PARTS
AS430B/AS510B PART LIST

Item	Part No.	Description	Qty
1	VF90504	GASKET	1
2	VF90619	TANK FILTER NET KIT	1
3	VF90263	VACUUM MOTOR KIT	1
4	VF90536	OUTLET COVER KIT	1
5	VF90312	2.5" WHEEL KIT	1
6	VF90508	SUCTION HOSE	2
7	VF90534	FLOAT KIT	1
8	VF90443	DRAIN HOSE-38	1
9	VF90254	MOTOR CABLE ASSEMBLE	1
10	VF90247	POWER CABLE	1
11	VV60153	SWITCH RL2 (P)	3
12	VF90271-EU	CHARGER KIT	1
	VF90271-UK	CHARGER KIT	1
13	VF90272	17" CONTROL PANEL BOARD KIT	1
14	VF90252	SWITCH	2
15	VF90290	LED BOARD CONNENTER CABLE KIT	1
16	VF90278	CIRCUIT BREAKER KIT	1
17	VF90114	CABLE SQUEEGEE LIFT	1
18	VF90281	MAIN CABLE KIT	1
19	VF90289	FUSE KIT	1
20	VF90305	8" WHEEL	2
21	VF90282	SOLENOID VALVE 24V	1
22	VF90621	FILTER KIT	1
23	VF90624	BALL VALVE KIT	1
24A	VF90256EU	17" BRUSH MOTOR KIT	1
24B	VF90257EU	20" BRUSH MOTOR KIT	1
25	VF90137	BUMPER ROLLER KIT	1
26	VF90450	BRUSH SPRING CLIP KIT	1
27	VF90444	DRIVEN PULLEY KIT	1
28	VF90408	BELT	1
29A	VF90411	17"BRUSH	1
29B	VF90417	20"BRUSH	1
30	VF90141	HAND WHEEL KIT	1
31	VF81210	KNOB	2
32	VF90137	BUMPER ROLLER KIT	2
33	VF90136	SQUEEGEE ROLL WHEEL KIT	2

A = Only for AS430B

B = Only for AS510B

WEAR AND TEAR PARTS
AS430B/AS510B PART LIST

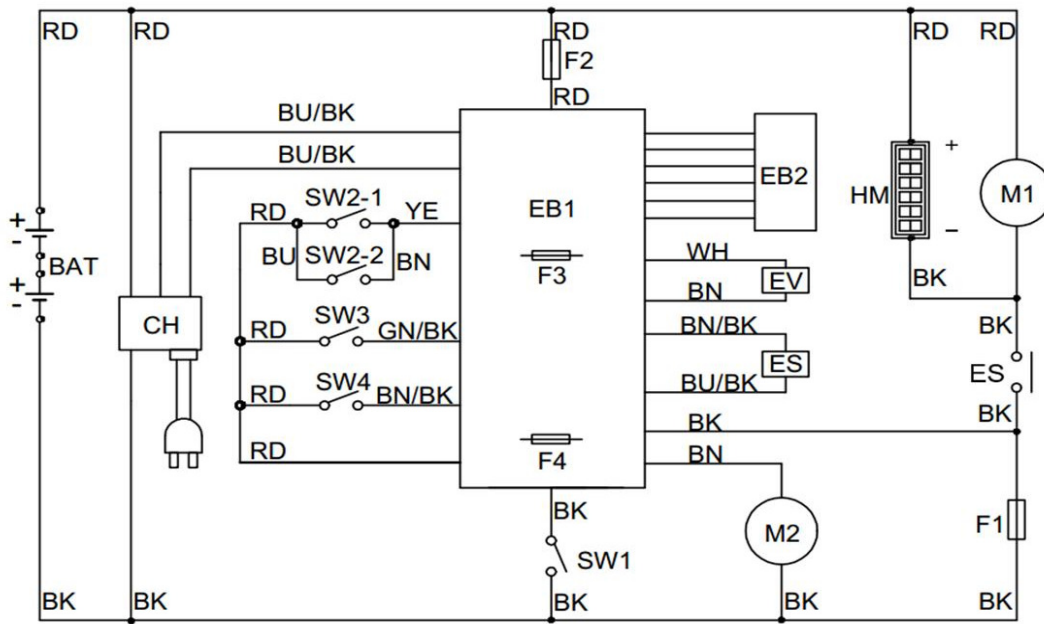
Item	Part No.	Description	Qty
34A	VF90103	17" BLADE FRONT	1
34B	VF90119	20" BLADE FRONT	1
35A	VF90104	17" BLADE REAR	1
35B	VF90120	20" BLADE REAR	1
13A	VF90428	17" PAD	1
13B	VF90416	20" PAD	1

A = Only for AS430B

B = Only for AS510B

WIRING DIAGRAM

AS430B/AS510B PART LIST



Key	CODE	Description
BAT	N/A	BATTERY
CH	VF90227-EU	CHARGER
	VF90227-UK	CHARGER
EB1 A	VF90238	17" CONTROL CIRCUIT BOARD
EB1 B	VF90239	20" CONTROL CIRCUIT BOARD
EB2	VF90229	LED BOARD
ES	VF90230	CONTACTOR
EV	VF80216D	SOLENOID VALVE
F1	1453824000	BRUSH MOTOR FUSE
F2	ZD48320	VACUUM MOTOR FUSE
M1 A	VF90431	17" BRUSH MOTOR
M1 B	VF90432	20" BRUSH MOTOR
M2	VF90520	VACUUM MOTOR
SW1	VV60153	POWER SWITCH
SW2	VF90252	BRUSH MOTOR SWITCH
SW3	VV60153	VACUUM MOTOR SWITCH
SW4	VV60153	SOLENOID VALVE SWITCH
HM	VF90287	HOUR METER

COLORS CODES

RD : Red	BN:Brown	BU : Blue	YE: Yellow	BU/BK : Blue /Black
BK: Black	WH: White	BN/BK: Brown/Black		GN/BK: Green/Black

A = Only for AS430B

B = Only for AS510B



Company information:
www.vipercleaning.eu
info-eu@vipercleaning.com