

BA / CA 500

Model:
BA 500
CA 500



Part List US-English

08-06-2011

Table of Contents

BA / CA 500

HANDEL SYSTEM	3
BATTERY CASE SYSTEM	6
CHASSIS SYSTEM-200B / 200LX / BA 500	8
CHASSIS SYSTEM-200HD	10
VACUUM MOTOR SYSTEM (before SN 1087006)	12
VACUUM MOTOR SYSTEM (after SN 1087005)	14
BRUSH DRIVER SYSTEM	16
DRIVER SYSTEM (BA 500 before SN 1068527)	22
DRIVER SYSTEM (BA 500 after SN 1068526 / all 200)	24
SOLUTION SYSTEM-200B / 200LX / 200HD	26
SOLUTION SYSTEM-BA 500	29
RECOVERY SYSTEM-200B / 200LX / 200HD	32
RECOVERY SYSTEM-BA 500	34
SQUEEGEE SYSTEM	36
DECAL SYSTEM-200B / 200LX / 200HB	39
DECAL SYSTEM-BA 500	41
HANDEL ELECTRICAL SYSTEM-200B	43
HANDEL ELETRICAL SYSTEM-200LX / 200HD / BA 500	45
CHASSIS ELETRICAL SYSTEM	47
WIRING DIAGRAM-200B	50
WIRING DIAGRAM-200LX / 200HD / BA 500	52
BRUSH / DISC SELECTOR GUIDE	54
DRIVE SYSTEM 200B	56

HANDEL SYSTEM

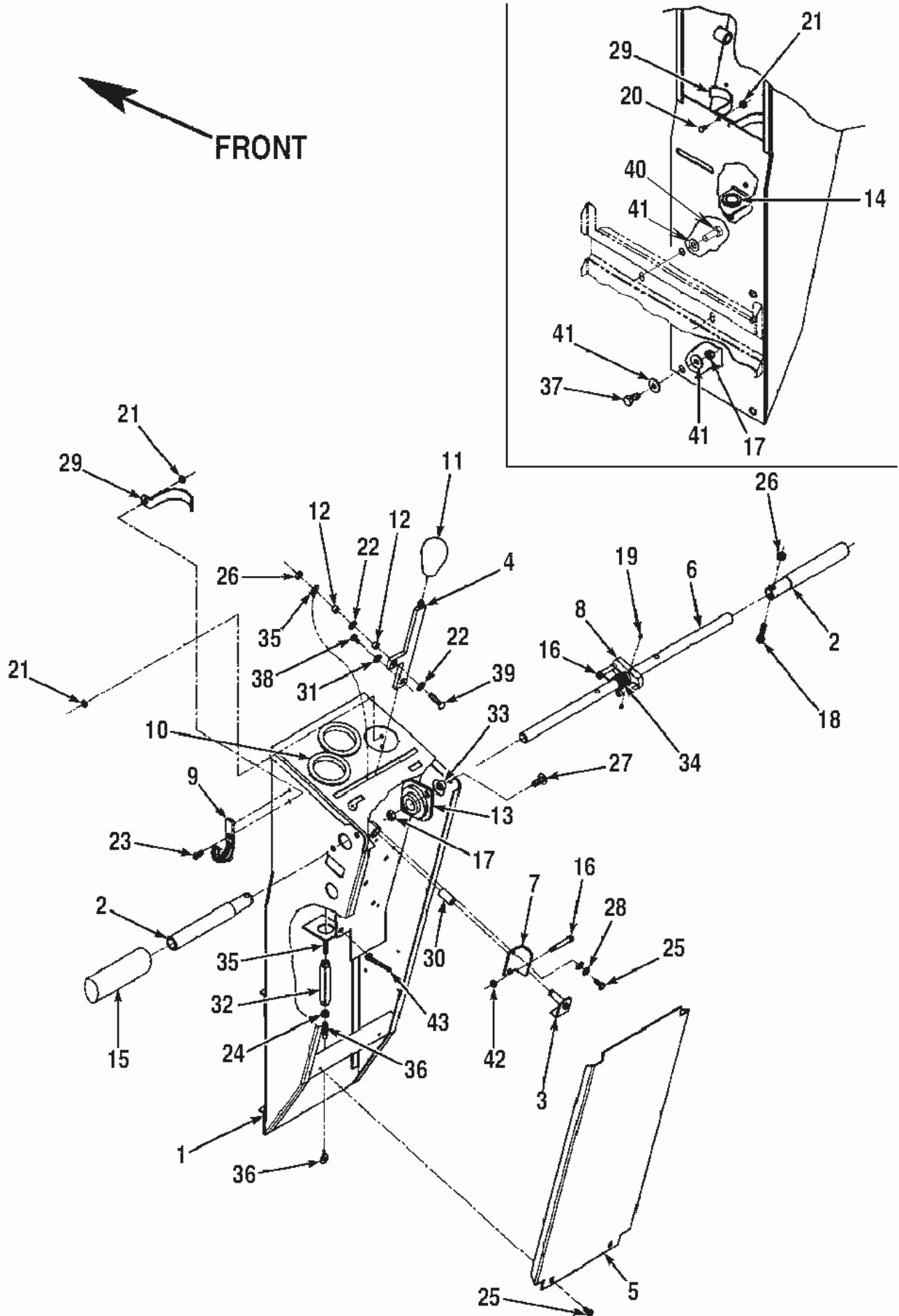
BA / CA 500

08-06-2011

Part List ID

E3313

3



HANDEL SYSTEM

BA / CA 500

08-06-2011

Part List ID

E3313

4

Pos	Part no.	Qty	Description	EAN
1	56324111	1	HANDLE WLD.	
2	56324120	2	TUBE HANDLE	5711144063
3	56324361	1	ACTUATOR WLMT.	
4	56324129	1	HANDLE	5711144063
5	56324130	1	COVER	5711144063
6	56324131	1	BAR HANDLE	5711144063
7	56324132	1	BRACKET STOP	5711144063
8	56324133	1	LEVER HANDLE SPRING	5711144063
9	56324349	2	HOOK	5711144064
10	56324195	2	GROMMET DIA 2.25	5711144063
11	56364527	1	KNOB 1.62X5/16 18 CA331 1	5711144066
12	56206784	2	BUSHING SP626C	5711144031
13	56393264	2	BEARING	5711144075
14	56491648	1	BEARING FLANGE	
15	56388545	2	GRIP HANDLE	5711144071
16	56003214	3	SCR SOC SHD .25 X 1.25 X 10 24	5711144004
17	56002701	8	NUT HEX NYL LOC 5/16 18	5711144002
18	56002093	2	SCR HEX 1/4 20 X 1.00	5711144000
19	56009084	2	SCR SOC SET LOC 10 24X.19	5711144008
20	56002503	2	SCR HEX 10 24 X .50	5711144001
21	56002832	6	NUT HEX NYL LOC THIN 10 24	5711144002
22	56009025	2	WSH FLT .266X.750X.036	5711144007
23	56002099	2	SCR FLT PHIL 10 24 X .62	5711144000
24	56009087	1	NUT HEX JAM 1/4 20	5711144008
25	56009012	4	SCR HEX THD FORM 10 24X.38	5711144007
26	56002840	3	NUT HEX NYL LOC THIN 1/4 20	5711144002
27	56002794	4	SCR PAN PHIL 5/16 18 X 1.00	5711144002
28	56001954	2	WSH FLT SAE 10	5711144000
29	56180030	3	CLAMP CAPACITOR	5711144029
30	56200972	1	BEARING SLEEVE .37 E00202	5711144029
31	56009096	1	WSH FLT .193X.875X.060	5711144008
32	56206814	1	TURNBUCKLE 1/4X27/8SP626G	5711144031
33	56320595	4	BUSHING .31X.50X.28HC18M	5711144062
34	56324033	1	SPRING TORSION	5711144063
35	56324036	1	WIRE ROPE ASSY. 16.	
36	56324326	1	WIRE ROPE ASSY.	5711144064
37	56002221	2	SCR HEX 5/16 18 X 1.00	5711144001
38	56002926	1	SCR HEX LOC 10 24 X .38	
39	56002292	1	SCR PAN PHIL 1/4 20 X 1.00	5711144001
40	56002929	2	SCR HEX LOC 5/16 18 X .62	5711144003
41	56001939	6	WSH FLT SAE 5/16	5711144000

HANDEL SYSTEM

BA / CA 500

08-06-2011

Part List ID
E3313

5

Pos	Part no.	Qty	Description	EAN
42	56002832	1	NUT HEX NYL LOC THIN 10 24	5711144002
43	56900753	2	TIE PUSH MOUNT E00217	5711144146

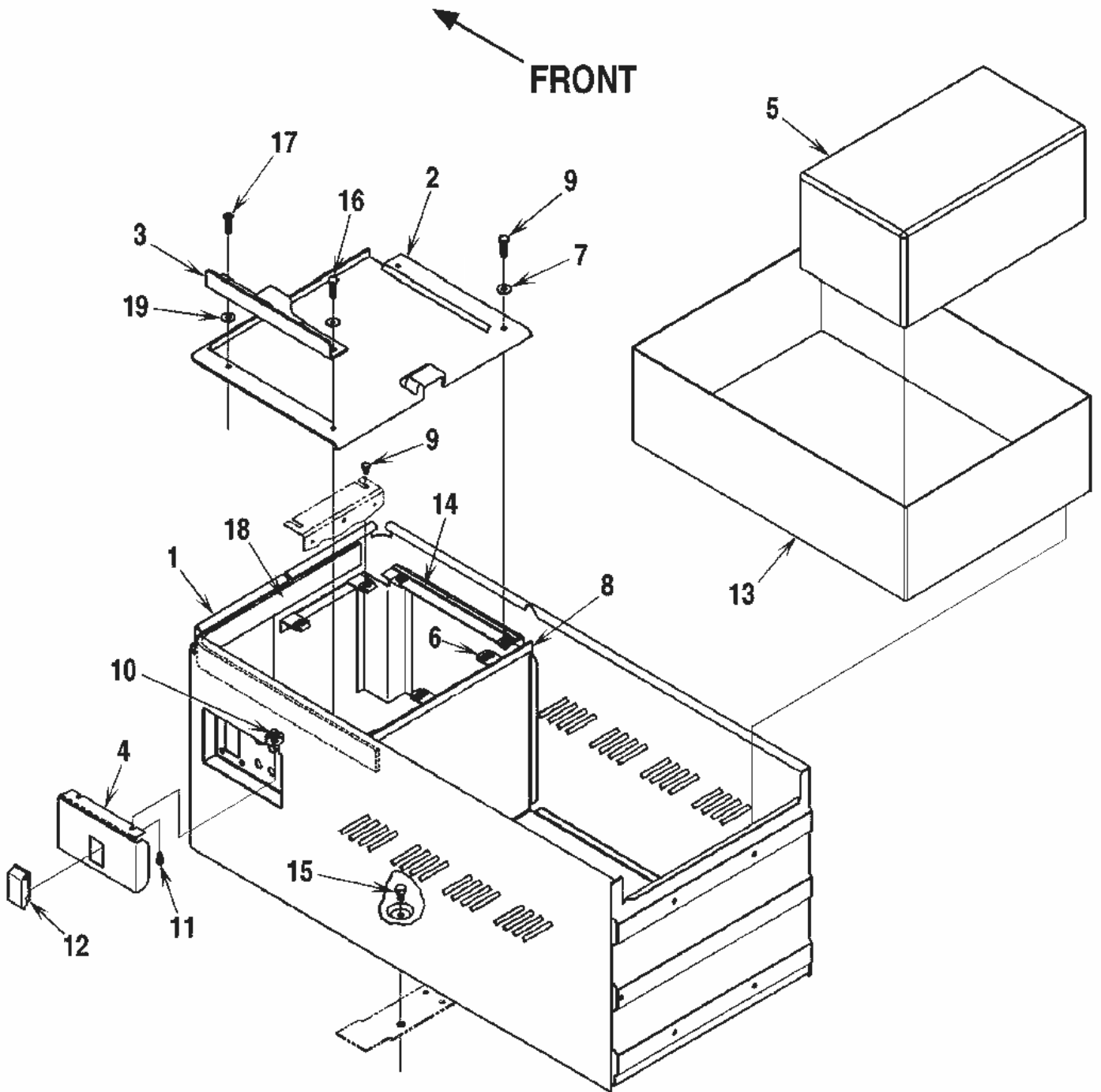
BATTERY CASE SYSTEM

BA / CA 500

08-06-2011

Part List ID
E3315

6



BATTERY CASE SYSTEM

BA / CA 500

08-06-2011

Part List ID
E3315

7

Pos	Part no.	Qty	Description	EAN
1	56324064	1	BATTERY CASE WLD.	
2	56324071	1	COVER ABS	
3	56324072	1	SUPPORT BRKT.WLD.	
6	56321520	8	NUT CLP E00457 HC42AD	
7	56900737	3	WASHER SEALING E00256	5711144146
8	56755581	15	TRIM RAW	5711144144
9	56002729	6	SCR SOC HD 10 32 X .75	
10	56002832	2	NUT HEX NYL LOC THIN 10 24	5711144002
11	56002834	2	SCR HEX 10 24 X .38	5711144002
12	56393358	1	LATCH SLIDE	
13	56374905	1	TRAY PLASTIC CV362Z	
14	56209435	1	GASKET	5711144032
15	56002923	2	SCR HEX LOC 5/16 18 X .50	5711144003
16	56002922	1	SCR HEX LOC 1/4 20 X .62	5711144003
17	56002921	1	SCR FLT PHIL LOC 1/4 20 x .50	Machine outphased 1998 5711144181
18	56324373	1	GASKET	
19	56324374	1	WASHER SEALING	

CHASSIS SYSTEM-200B / 200LX / BA 500

BA / CA 500

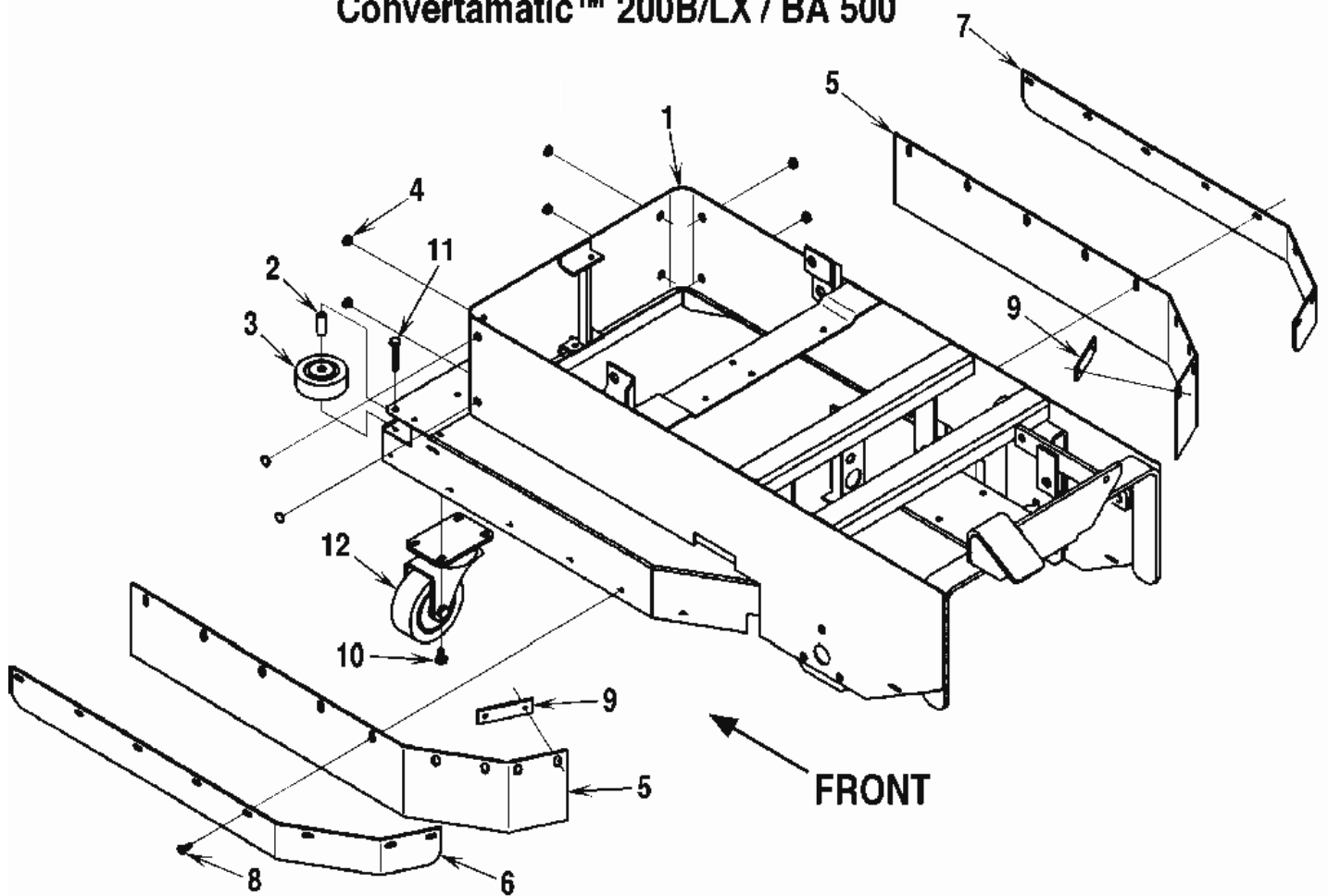
08-06-2011

Part List ID

E3317

8

Convertamatic™ 200B/LX / BA 500



CHASSIS SYSTEM-200B / 200LX / BA 500

BA / CA 500

08-06-2011

Part List ID

E3317

9

Pos	Part no.	Qty	Description	EAN
1	56324153	1	CHASSIS WLD.	
2	56360139	2	BUSHING SPACER CT12J	5711144066
3	56324350	2	WHEEL	5711144064
4	56153699	8	PLUG BUTTON .281 E00172	
5	56382905	2	GUARD RUBBER	5711144070
6	56324286	1	STRAP LT.	
7	56324287	1	STRAP RT.	5711144064
8	56009039	16	SCR HEX THD FORM 10 24X .50	5711144007
9	56324220	2	BAR	
10	56009033	6	SCR HEX THD FORM 1/4 20X.50	5711144007
11	56009028	2	SCR HEX THD FORM 1/4 20X1.50	5711144007
12	56206725	2	CASTER SWIV 3.5X1.1SP441	5711144031

CHASSIS SYSTEM-200HD

BA / CA 500

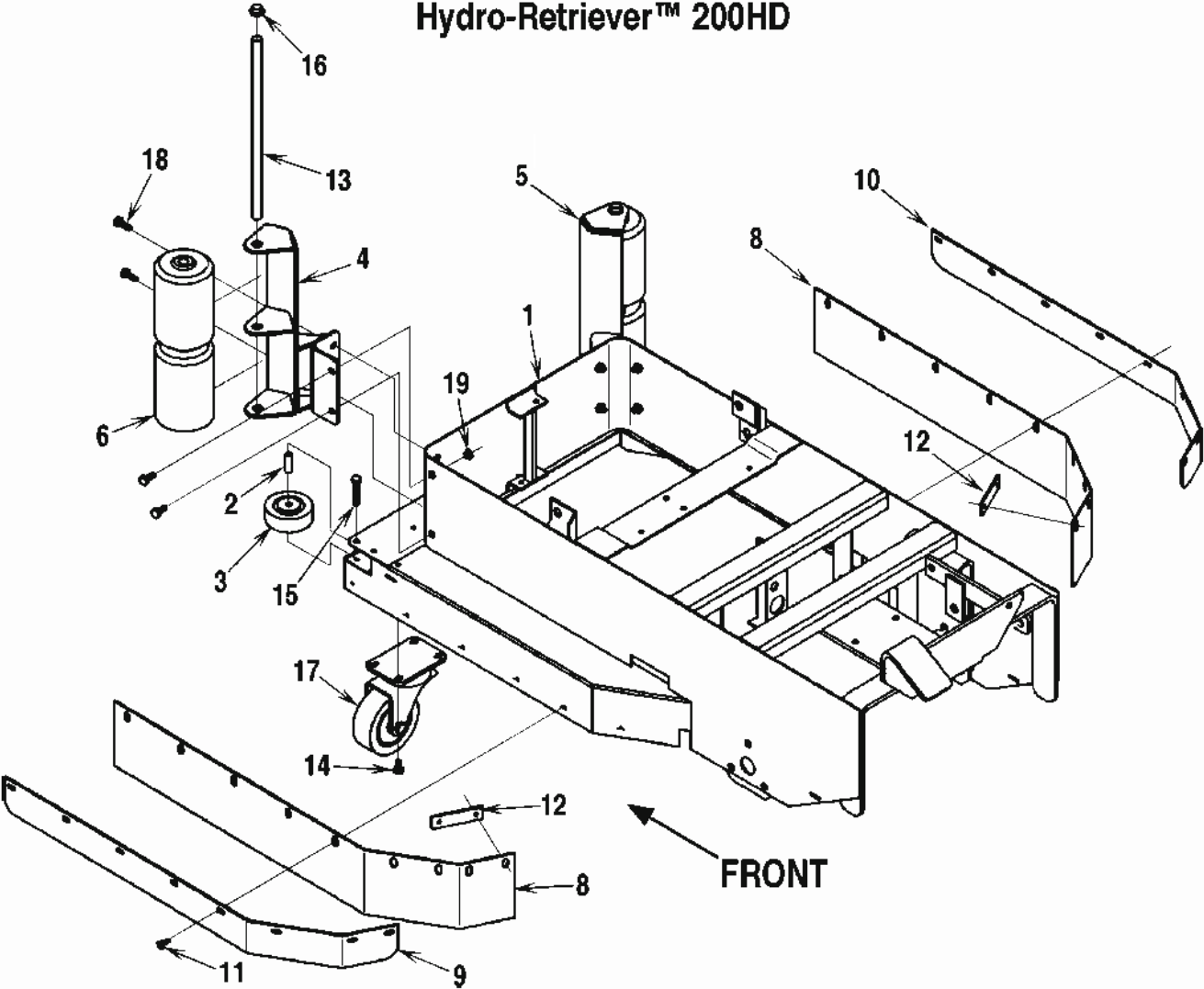
08-06-2011

Part List ID

E3319

10

Hydro-Retriever™ 200HD



CHASSIS SYSTEM-200HD

BA / CA 500

08-06-2011

Part List ID
E3319

11

Pos	Part no.	Qty	Description	EAN
1	56324153	1	CHASSIS WLD.	
2	56360139	2	BUSHING SPACER CT12J	5711144066
3	56324350	2	WHEEL	5711144064
6	56392102	4	ROLLER	5711144074
7	56009047	2	WSH FLT .391X.625X.060	5711144007
8	56382905	2	GUARD RUBBER	5711144070
9	56324286	1	STRAP LT.	
10	56324287	1	STRAP RT.	5711144064
11	56009039	16	SCR HEX THD FORM 10 24X .50	5711144007
12	56324220	2	BAR	
13	56324494	2	ROD	
14	56009033	6	SCR HEX THD FORM 1/4 20X.50	5711144007
15	56009028	2	SCR HEX THD FORM 1/4 20X1.50	5711144007
16	56009097	4	NUT PUSH CAP 1/2	5711144008
17	56206725	2	CASTER SWIV 3.5X1.1SP441	5711144031
18	56001836	4	SCR HEX 1/4 20 X .62	5711144000
19	56002773	4	NUT HEX NYL LOC 1/2 20	5711144002

VACUUM MOTOR SYSTEM (before SN 1087006)

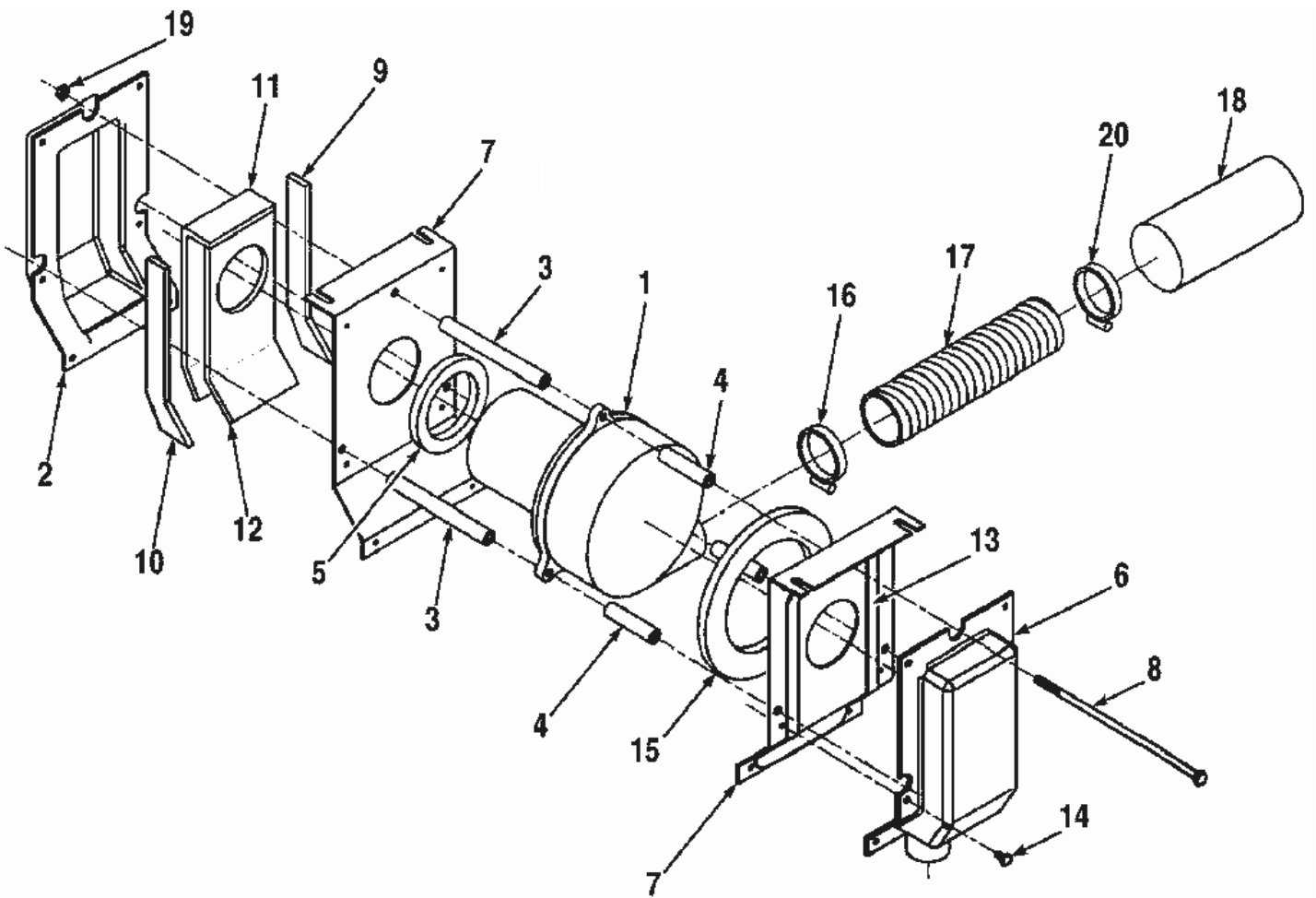
BA / CA 500

08-06-2011

Part List ID

E33111

12



FRONT

VACUUM MOTOR SYSTEM (before SN 1087006

BA / CA 500

08-06-2011

Part List ID

E33111

13

Pos	Part no.	Qty	Description	EAN
0	56503003	1	CARBON BRUSH 2 BRUSHES	5711144126
1	56324189	1	VAC MOTOR ELECT.ASS	5711144063
3	56324094	3	SPACER 4.81 PVC	
4	56324095	3	SPACER 2.25 PVC	
5	56324040	1	GASKET	5711144063
6	56324097	1	SHROUD ASSY.	
7	56324098	2	BRACKET VAC MOTOR	
8	56002776	3	SCR HEX 1/4 20 X 8.00	
13	56330682	30	GASKET 1/16X1/2X120HC525F	5711144065
14	56009012	12	SCR HEX THD FORM 10 24X.38	5711144007
15	56385437	1	GASKET CL281H	5711144071
16	56440213	1	CLAMP HOSE SAE 32E00047	5711144107
17	56324358	1	HOSE E00191	5711144064
18	56324359	1	FOAM ACOUSTICAL	
19	56002708	3	NUT HEX NYL LOC 1/4 20	5711144002
20	56477613	1	CABLE TIE E00549 RE409S	5711144123

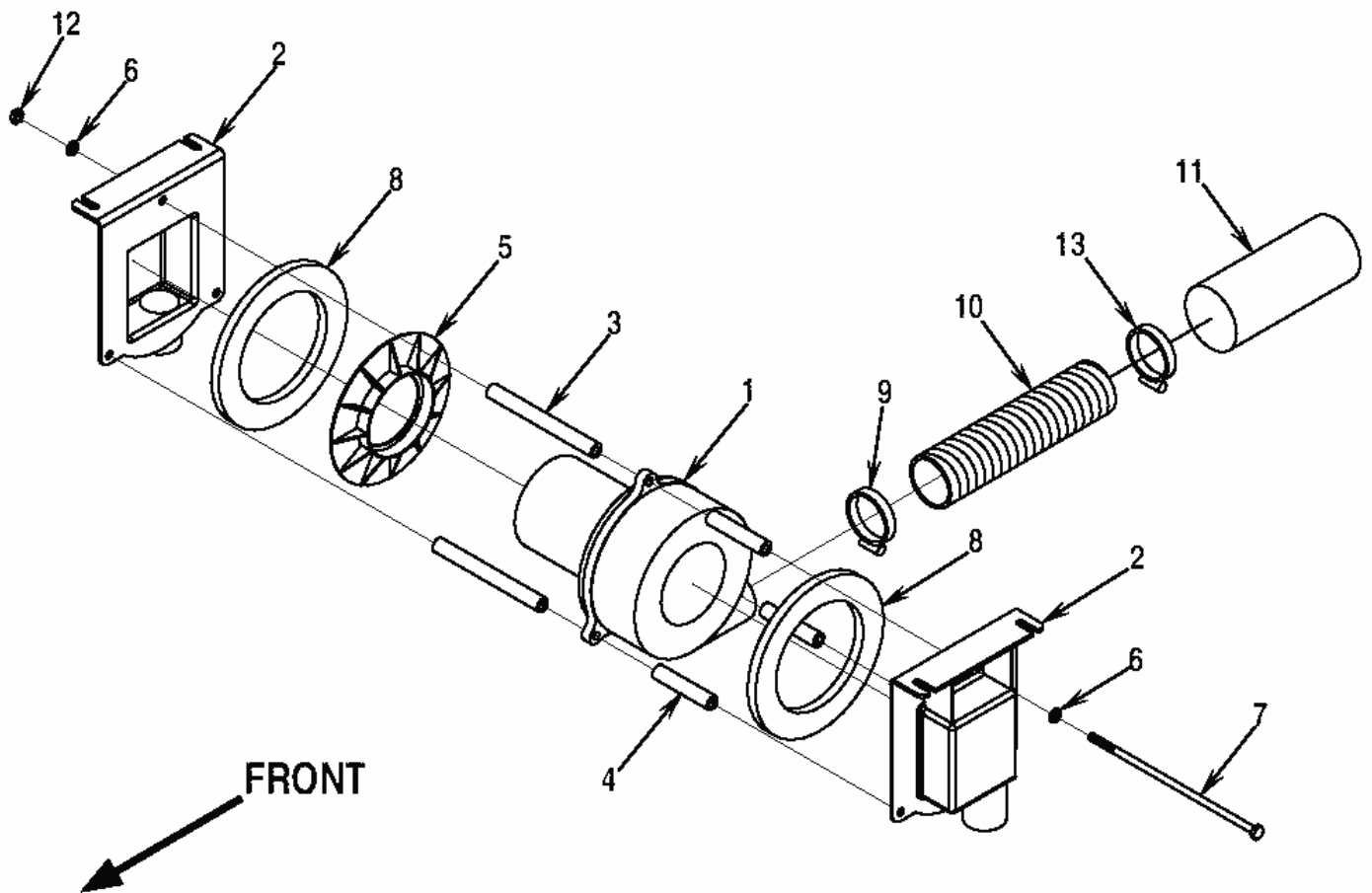
VACUUM MOTOR SYSTEM (after SN 1087005)

BA / CA 500

08-06-2011

Part List ID
E33113

14



VACUUM MOTOR SYSTEM (after SN 1087005)

BA / CA 500

08-06-2011

Part List ID
E33113

15

Pos	Part no.	Qty	Description	EAN
0	56503003	1	CARBON BRUSH 2 BRUSHES	5711144126
1	56324189	1	VAC MOTOR ELECT.ASS	5711144063
2	56324458	2	SHROUD	
3	56324461	3	SPACER	
4	56324462	3	SPACER	
5	56324459	1	FLANGE	
6	56002098	6	WSH FLT SAE 1/4	5711144000
7	56002776	3	SCR HEX 1/4 20 X 8.00	
8	56385437	2	GASKET CL281H	5711144071
9	56440213	1	CLAMP HOSE SAE 32E00047	5711144107
10	56324358	1	HOSE E00191	5711144064
11	56324359	1	FOAM ACOUSTICAL	
12	56002708	3	NUT HEX NYL LOC 1/4 20	5711144002
13	56477613	1	CABLE TIE E00549 RE409S	5711144123

Pos No.0 means : Not Show n

* NOTE:

Item No. 56503003; Except serial nos. 1087971 through 1088010.

BRUSH DRIVER SYSTEM

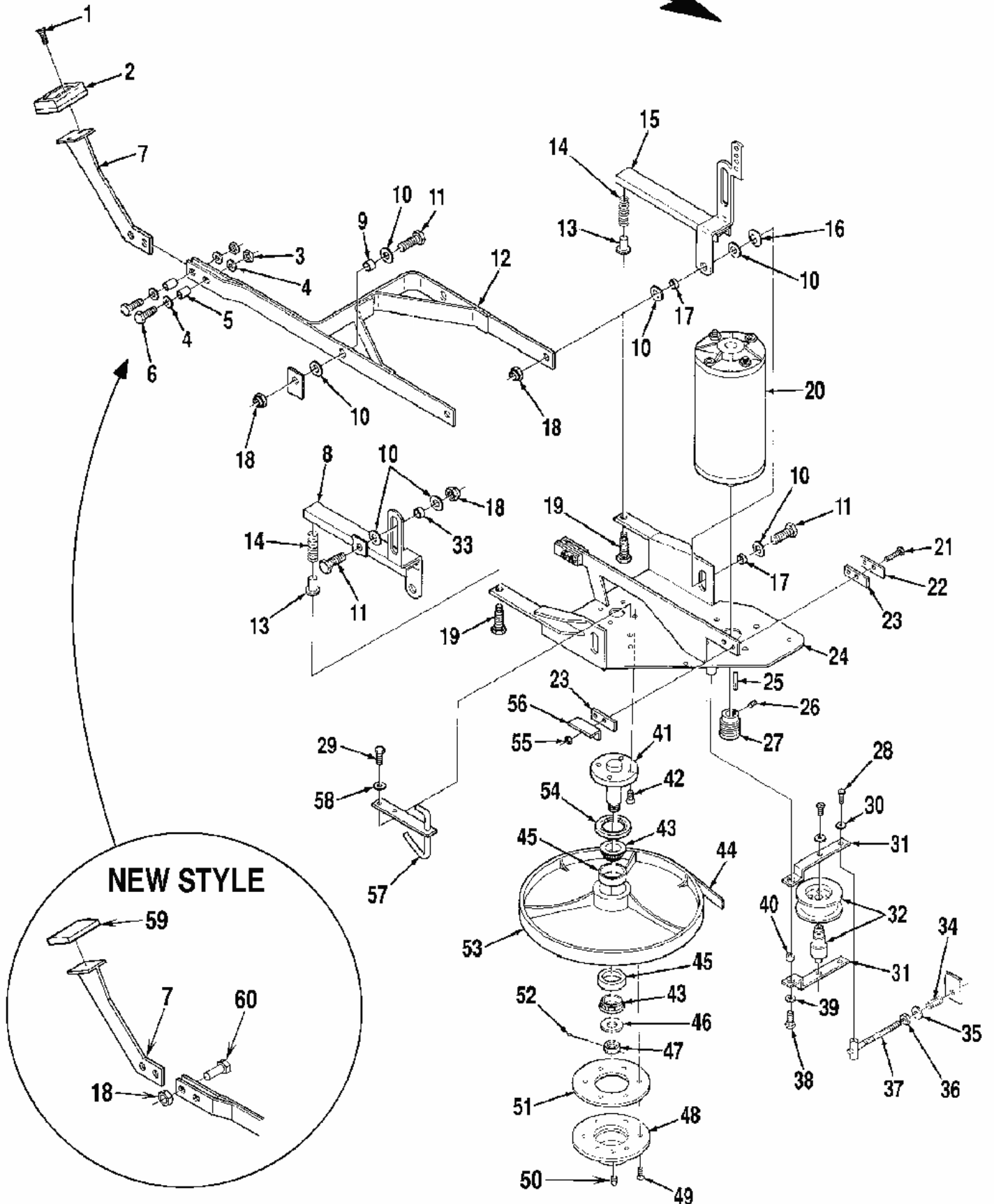
BA / CA 500

08-06-2011

Part List ID
E33115

16

FRONT



BRUSH DRIVER SYSTEM

BA / CA 500

08-06-2011

Part List ID
E33115

17

Pos	Part no.	Qty	Description	EAN
0	56163431	1	DRIVE CAP CAST NP92	
0	56171733	1	STUD SHAFT	
0	56171735	1	PULLEY FLAT	5711144029
0	56365002	1	PAD RUBBER	5711144066
0	56386263	1	MOTOR SETSET OF 2CL442B	
0	56393567	1	RETAINER PAD	5711144076
0	56505048	1	DISC BRUSH 20 DYNA GRIT CLUTCH	5711144128
0	56505058	1	DISC BRUSH 20 MAGNA GRIT CLUTCH	
0	56505063	1	DISC BRUSH 20 AGLITE CLUTCH	
0	56505077	1	DISC BRUSH 20 PROLITE CLUTCH	5711144128
0	56505079	1	DISC BRUSH 20 MDLITE CLUTCH	
0	56505083	1	DISC BRUSH 20 MIDGRIT CLUTCH	5711144128
0	56505280	1	PAD HOLDER 20 NP92 LEV SET	5711144128
0	56505450	1	BÜRSTE POLYROPYLEN 20'	5711144128
0	56505454	1	DISC BRUSH 20 UNION MIX CLUTCH	
0	56505455	1	PAD HOLDER 20 NP47 CLUTCH	5711144128
0	56505920	1	PAD HOLDER 20 NP92 CLUTCH	5711144129
0	56505921	1	DISC BRUSH 20 MAGNA GRIT CLUTCH	5711144129
0	56505922	1	DISC BRUSH 20 DYNA GRIT CLUTCH	5711144129
0	56505923	1	DISC BRUSH 20 AGLITE CLUTCH	5711144129
0	56505924	1	DISC BRUSH 20 PROLENE CLUTCH	5711144129

Pos No.0 means : Not Show n

NOTE: All (3) items listed in item #2 are obsolete. They have been replaced by item #59. Item #7 retained its original part number but was revised to accommodate the new rubber pad item #59. If you have a machine with the old style rubber pad item #2 and need to replace the pad, order item #59 and a new item #7. Likewise, if you need to replace just item #7, you will also need to order item #59.

Optional Accessory, Not Included:

Brushes For Silver NP-47 Drive Cap

- ** 56505455 1 Short-Trim Pad Holder
- ** 56505048 1 Dyna GritÖ 80 Brush
- ** 56505058 1 Magna GritÖ 46 Brush
- ** 56505063 1 AgLiteÖ 500 Brush
- ** 56505077 1 ProLiteÖ Brush
- ** 56505079 1 MidLite GritÖ 180 Brush
- ** 56505083 1 MidGritÖ 240 Brush
- ** 56505450 1 Prolene Brush
- ** 56505454 1 Union Mix Brush

Brushes For Gold NP-92 Drive Cap

- ** 56505920 1 Short-Trim Pad Holder
- ** 56505280 1 Level-Set Pad Holder
- ** 56505922 1 Dyna GritÖ 80 Brush
- ** 56505921 1 Magna GritÖ 46 Brush
- ** 56505923 1 AgLiteÖ 500 Brush
- ** 56505925 1 ProLiteÖ Brush
- ** 56505928 1 MidLite GritÖ 180 Brush
- ** 56505927 1 MidGritÖ 240 Brush
- ** 56505924 1 Prolene Brush
- ** 56505926 1 Union Mix Brush

- ** 56393567 A/R "Big Mouth" Pad Retainer
- ** 56506001 A/R Clutch Plate (Silver/NP-47)
- ** 56506006 A/R Clutch Plate (Plastic/NP-92)

BRUSH DRIVER SYSTEM

BA / CA 500

08-06-2011

Part List ID
E33115

18

Pos	Part no.	Qty Description	EAN
0	56505925	1 DISC BRUSH 20 PROLITE CLUTCH	5711144129
0	56505926	1 DISC BRUSH 20 UNION MIX CLUTCH	5711144129
0	56505927	1 DISC BRUSH 20 MIDGRIT CLUTCH	5711144129
0	56505928	1 DISC BRUSH 20 MIDLITE CLUTCH	5711144129
0	56506001	1 P47 CLUTCH PLATE	
0	56506006	1 NP92 CLUTCH PLATE	5711144129
1	56002711	2 SCR FLT PHIL 1/4 20 X .88	5711144002
2	56365081	1 PLATE CA338B	
3	56002769	2 NUT HEX NYL LOC 3/8 16	5711144002
4	56002063	4 WSH FLT SAE 3/8	5711144000
5	56244859	2 BUSHING .37X.50X.75FC417E	5711144034
6	56002095	4 SCR HEX 3/8 16 X 1.50	5711144000
7	56324386	1 PLATE WELDMENT	
8	56385890	1 BRACKET WELDMENT	
9	56360627	2 BUSHING .50X.62X.41CT32G	5711144066
10	56009017	14 WSH FLT HDN .516X.938X.075	5711144007
11	56001831	6 SCR HEX 1/2 13 X 1.25	5711144000
12	56324380	1 BRUSH LINKAGE WLD.	
13	56386216	2 GUIDE BUSHING CL434D	
14	56373869	2 SPRING COM .83X3.37 E00453	5711144067
15	56385893	1 BRACKET WELDMENT	

Pos No.0 means : Not Show n

NOTE: All (3) items listed in item #2 are obsolete. They have been replaced by item #59. Item #7 retained its original part number but was revised to accommodate the new rubber pad item #59. If you have a machine with the old style rubber pad item #2 and need to replace the pad, order item #59 and a new item #7. Likewise, if you need to replace just item #7, you will also need to order item #59.

Optional Accessory, Not Included:

Brushes For Silver NP-47 Drive Cap

- ** 56505455 1 Short-Trim Pad Holder
- ** 56505048 1 Dyna GritÖ 80 Brush
- ** 56505058 1 Magna GritÖ 46 Brush
- ** 56505063 1 AgLiteÖ 500 Brush
- ** 56505077 1 ProLiteÖ Brush
- ** 56505079 1 MidLite GritÖ 180 Brush
- ** 56505083 1 MidGritÖ 240 Brush
- ** 56505450 1 Prolene Brush
- ** 56505454 1 Union Mix Brush

Brushes For Gold NP-92 Drive Cap

- ** 56505920 1 Short-Trim Pad Holder
- ** 56505280 1 Level-Set Pad Holder
- ** 56505922 1 Dyna GritÖ 80 Brush
- ** 56505921 1 Magna GritÖ 46 Brush
- ** 56505923 1 AgLiteÖ 500 Brush
- ** 56505925 1 ProLiteÖ Brush
- ** 56505928 1 MidLite GritÖ 180 Brush
- ** 56505927 1 MidGritÖ 240 Brush
- ** 56505924 1 Prolene Brush
- ** 56505926 1 Union Mix Brush

- ** 56393567 A/R "Big Mouth" Pad Retainer
- ** 56506001 A/R Clutch Plate (Silver/NP-47)
- ** 56506006 A/R Clutch Plate (Plastic/NP-92)

BRUSH DRIVER SYSTEM

BA / CA 500

08-06-2011

Part List ID
E33115

19

Pos	Part no.	Qty Description	EAN
17	56382086	4 BUSHING .50X.62X.21CL32G	5711144070
18	56002843	8 NUT HEX NYL LOC THIN 1/2 13	5711144002
19	56002470	2 SCR HEX THD/HD 3/8 16 X 2.00	5711144001
20	56386261	1 MOTOR CL442	5711144071
21	56001878	4 SCR HEX 1/4 20 X 1.25	5711144000
22	56386160	3 FLAT .12X.75X2.37 CL433A	
23	56386105	4 STRIP WEAR CL402B	
25	56003241	1 KEY SQ. .19 X 1.31	5711144004
26	56002086	2 SCR SOC SET LOC 5/16 18 X .25	5711144000
27	56171088	1 SHEAVE POLY V 10J12	5711144028
28	56002926	4 SCR HEX LOC 10 24 X .38	
29	56009018	2 SCR HEX THD FORM 1/4 20X .75	5711144007
30	56001954	4 WSH FLT SAE 10	5711144000
31	56386290	2 BRACKET CL446D	
32	56171734	1 IDLER ASSEMBLY	5711144029
33	56365030	2 BUSHING CA334D	5711144066
34	56171271	1 SPRING COM .63X3.5 E00453	5711144029
35	56001939	1 WSH FLT SAE 5/16	5711144000
36	56002701	2 NUT HEX NYL LOC 5/16 18	5711144002
37	56386273	1 LINKAGE WELDMENT CL446AX	5711144071
38	56002960	1 SCR HEX LOC 1/4 20 X .88	5711144003

Pos No.0 means : Not Show n

NOTE: All (3) items listed in item #2 are obsolete. They have been replaced by item #59. Item #7 retained its original part number but was revised to accommodate the new rubber pad item #59. If you have a machine with the old style rubber pad item #2 and need to replace the pad, order item #59 and a new item #7. Likewise, if you need to replace just item #7, you will also need to order item #59.

Optional Accessory, Not Included:

Brushes For Silver NP-47 Drive Cap

- ** 56505455 1 Short-Trim Pad Holder
- ** 56505048 1 Dyna GritÖ 80 Brush
- ** 56505058 1 Magna GritÖ 46 Brush
- ** 56505063 1 AgLiteÖ 500 Brush
- ** 56505077 1 ProLiteÖ Brush
- ** 56505079 1 MidLite GritÖ 180 Brush
- ** 56505083 1 MidGritÖ 240 Brush
- ** 56505450 1 Prolene Brush
- ** 56505454 1 Union Mix Brush

Brushes For Gold NP-92 Drive Cap

- ** 56505920 1 Short-Trim Pad Holder
- ** 56505280 1 Level-Set Pad Holder
- ** 56505922 1 Dyna GritÖ 80 Brush
- ** 56505921 1 Magna GritÖ 46 Brush
- ** 56505923 1 AgLiteÖ 500 Brush
- ** 56505925 1 ProLiteÖ Brush
- ** 56505928 1 MidLite GritÖ 180 Brush
- ** 56505927 1 MidGritÖ 240 Brush
- ** 56505924 1 Prolene Brush
- ** 56505926 1 Union Mix Brush

- ** 56393567 A/R "Big Mouth" Pad Retainer
- ** 56506001 A/R Clutch Plate (Silver/NP-47)
- ** 56506006 A/R Clutch Plate (Plastic/NP-92)

BRUSH DRIVER SYSTEM

BA / CA 500

08-06-2011

Part List ID
E33115

20

Pos	Part no.	Qty	Description	EAN
39	56002098	1	WSH FLT SAE 1/4	5711144000
40	56368989	1	BUSHING .25X.37X.30CV82G	5711144067
41	56171056	1	STUD SHAFT PD202C	5711144028
42	56009079	4	SCR FLTPHIL THDFORM 1/4 20X.75	5711144008
43	56378267	2	BEARING TR CN 1.000 E00134	5711144068
44	56171200	1	BELT POLY U 510J10	5711144029
45	56378259	2	BEARING TR CP 1.981 E00135	5711144068
46	56009115	1	WSH FLT HDN .594X1.375X.134	5711144008
47	56009118	1	NUT HEX CASTLE 9/16 18	5711144008
48	56163430	1	DRIVE CAP CAST NP47	5711144028
49	56009133	6	SCR FLTPHILTHDFORMLOC 10 24X.5	5711144008
50	56361321	1	CATCH CT60P	5711144066
51	56158275	1	GASKET 4.00 DIA BC F54G	5711144028
52	56002946	1	PIN COT .06 X 1.00	5711144003
53	56171376	1	PULLEY FLAT 12.25X 1.65	5711144029
54	56171078	1	SEAL SHAFT 1.437 PD202S	5711144028
55	56002708	4	NUT HEX NYL LOC 1/4 20	5711144002
56	56382984	1	BRACKET CL133	
57	56385776	1	PIPE WELDMT.	
58	56009002	2	WASHER FLAT .266X.906X.060	5711144007
59	56365002	1	PAD RUBBER	5711144066

Pos No.0 means : Not Show n

NOTE: All (3) items listed in item #2 are obsolete. They have been replaced by item #59. Item #7 retained its original part number but was revised to accommodate the new rubber pad item #59. If you have a machine with the old style rubber pad item #2 and need to replace the pad, order item #59 and a new item #7. Likewise, if you need to replace just item #7, you will also need to order item #59.

Optional Accessory, Not Included:

Brushes For Silver NP-47 Drive Cap

- ** 56505455 1 Short-Trim Pad Holder
- ** 56505048 1 Dyna GritÖ 80 Brush
- ** 56505058 1 Magna GritÖ 46 Brush
- ** 56505063 1 AgLiteÖ 500 Brush
- ** 56505077 1 ProLiteÖ Brush
- ** 56505079 1 MidLite GritÖ 180 Brush
- ** 56505083 1 MidGritÖ 240 Brush
- ** 56505450 1 Prolene Brush
- ** 56505454 1 Union Mix Brush

Brushes For Gold NP-92 Drive Cap

- ** 56505920 1 Short-Trim Pad Holder
- ** 56505280 1 Level-Set Pad Holder
- ** 56505922 1 Dyna GritÖ 80 Brush
- ** 56505921 1 Magna GritÖ 46 Brush
- ** 56505923 1 AgLiteÖ 500 Brush
- ** 56505925 1 ProLiteÖ Brush
- ** 56505928 1 MidLite GritÖ 180 Brush
- ** 56505927 1 MidGritÖ 240 Brush
- ** 56505924 1 Prolene Brush
- ** 56505926 1 Union Mix Brush

- ** 56393567 A/R "Big Mouth" Pad Retainer
- ** 56506001 A/R Clutch Plate (Silver/NP-47)
- ** 56506006 A/R Clutch Plate (Plastic/NP-92)

BRUSH DRIVER SYSTEM

BA / CA 500

08-06-2011

Part List ID
E33115

21

Pos	Part no.	Qty	Description	EAN
60	56001995	2	SCR HEX 1/2 13 X 1.75	5711144000

Pos No.0 means : Not Show n

NOTE: All (3) items listed in item #2 are obsolete. They have been replaced by item #59. Item #7 retained its original part number but was revised to accommodate the new rubber pad item #59. If you have a machine with the old style rubber pad item #2 and need to replace the pad, order item #59 and a new item #7. Likewise, if you need to replace just item #7, you will also need to order item #59.

Optional Accessory, Not Included:

Brushes For Silver NP-47 Drive Cap

- ** 56505455 1 Short-Trim Pad Holder
- ** 56505048 1 Dyna GritÖ 80 Brush
- ** 56505058 1 Magna GritÖ 46 Brush
- ** 56505063 1 AgLiteÖ 500 Brush
- ** 56505077 1 ProLiteÖ Brush
- ** 56505079 1 MidLite GritÖ 180 Brush
- ** 56505083 1 MidGritÖ 240 Brush
- ** 56505450 1 Prolene Brush
- ** 56505454 1 Union Mix Brush

Brushes For Gold NP-92 Drive Cap

- ** 56505920 1 Short-Trim Pad Holder
- ** 56505280 1 Level-Set Pad Holder
- ** 56505922 1 Dyna GritÖ 80 Brush
- ** 56505921 1 Magna GritÖ 46 Brush
- ** 56505923 1 AgLiteÖ 500 Brush
- ** 56505925 1 ProLiteÖ Brush
- ** 56505928 1 MidLite GritÖ 180 Brush
- ** 56505927 1 MidGritÖ 240 Brush
- ** 56505924 1 Prolene Brush
- ** 56505926 1 Union Mix Brush

- ** 56393567 A/R "Big Mouth" Pad Retainer
- ** 56506001 A/R Clutch Plate (Silver/NP-47)
- ** 56506006 A/R Clutch Plate (Plastic/NP-92)

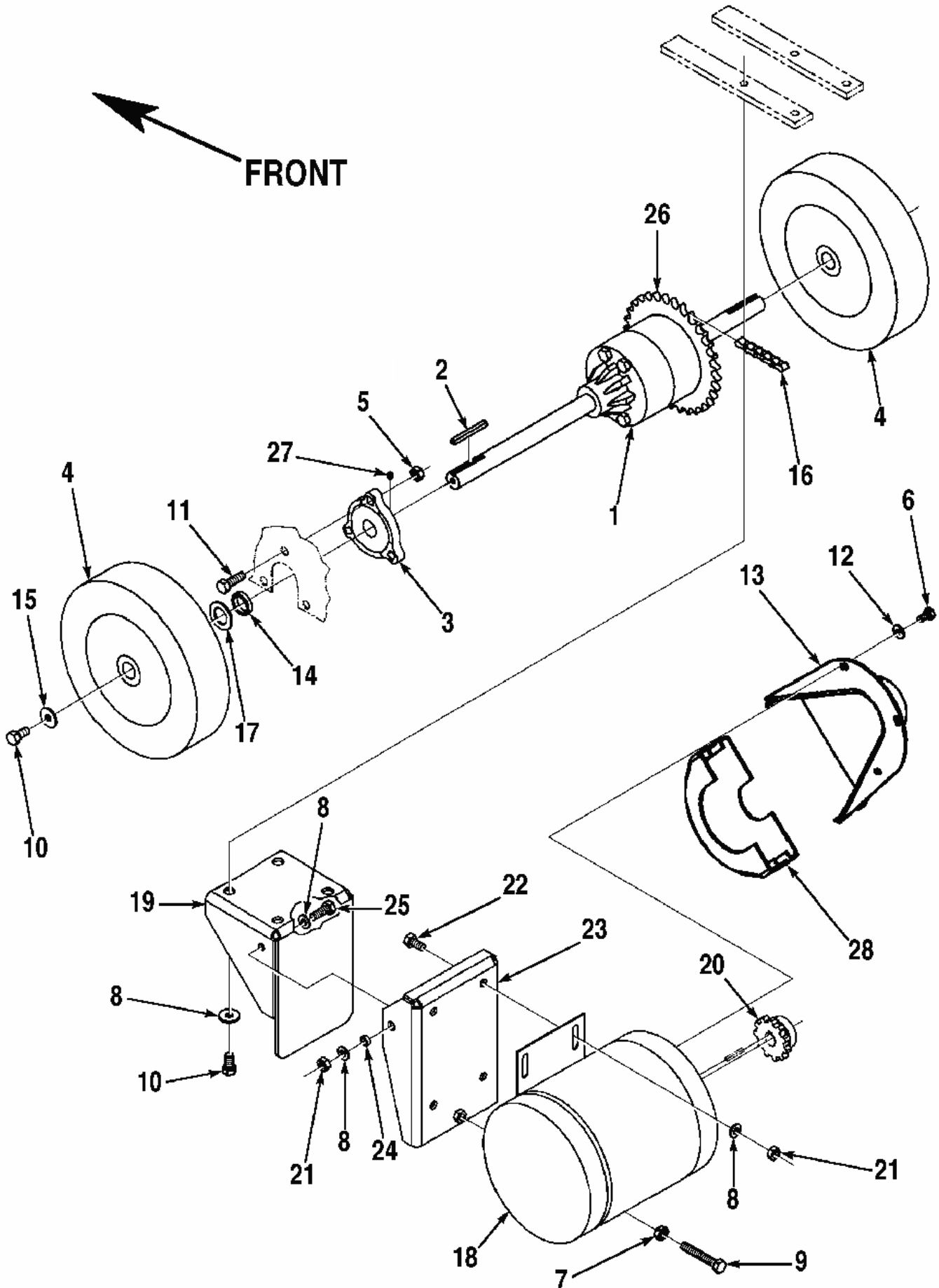
DRIVER SYSTEM (BA 500 before SN 1068527)

BA / CA 500

08-06-2011

Part List ID
E33117

22



DRIVER SYSTEM (BA 500 before SN 1068527)

BA / CA 500

08-06-2011

Part List ID
E33117

23

Pos	Part no.	Qty	Description	EAN
0	56324253	1	CARBON BRUSH SET 4 BRUSHES	5711144063
1	56324592	1	DIFFERENTIAL REPLACEMENT KIT	5711144064
2	56003241	2	KEY SQ. .19 X 1.31	5711144004
3	56393677	2	BEARING FLANGE	5711144076
4	56324246	2	WHEEL FILLED	5711144063
5	56002826	6	NUT HEX NYL LOC THIN 5/16 18	5711144002
6	56002729	3	SCR SOC HD 10 32 X .75	
7	56002701	1	NUT HEX NYL LOC 5/16 18	5711144002
8	56001939	12	WSH FLT SAE 5/16	5711144000
9	56002368	1	SCR HEX THD/HD 5/16 18 X 1.75	5711144001
10	56002929	6	SCR HEX LOC 5/16 18 X .62	5711144003
11	56002221	6	SCR HEX 5/16 18 X 1.00	5711144001
12	56002098	3	WSH FLT SAE 1/4	5711144000
13	56324417	1	CHAIN GUARD	
14	56324248	2	BUSHING	
15	56009122	2	WSH FLT .344X.938X.125	5711144008
16	56324027	1	CHAIN ROLLER E00239	5711144063
17	56009022	2	WSH FLT .752/.756X1.250X.125	5711144007
18	56263253	1	MOTOR 24V	5711144036
20	56388688	1	SPROCKET	
21	56002701	6	NUT HEX NYL LOC 5/16 18	5711144002
22	56002667	4	SCR HEX 5/16 18 X .75	5711144002
24	56381818	2	BUSHING .32X.44X.14	5711144070
25	56002037	2	SCR HEX 5/16 18 X .88	5711144000
26	56324024	1	SPROCKET 40A32	
27	56002086	2	SCR SOC SET LOC 5/16 18 X .25	5711144000

Pos No.0 means : Not Show n

DRIVER SYSTEM (BA 500 after SN 1068526 / all 2

BA / CA 500

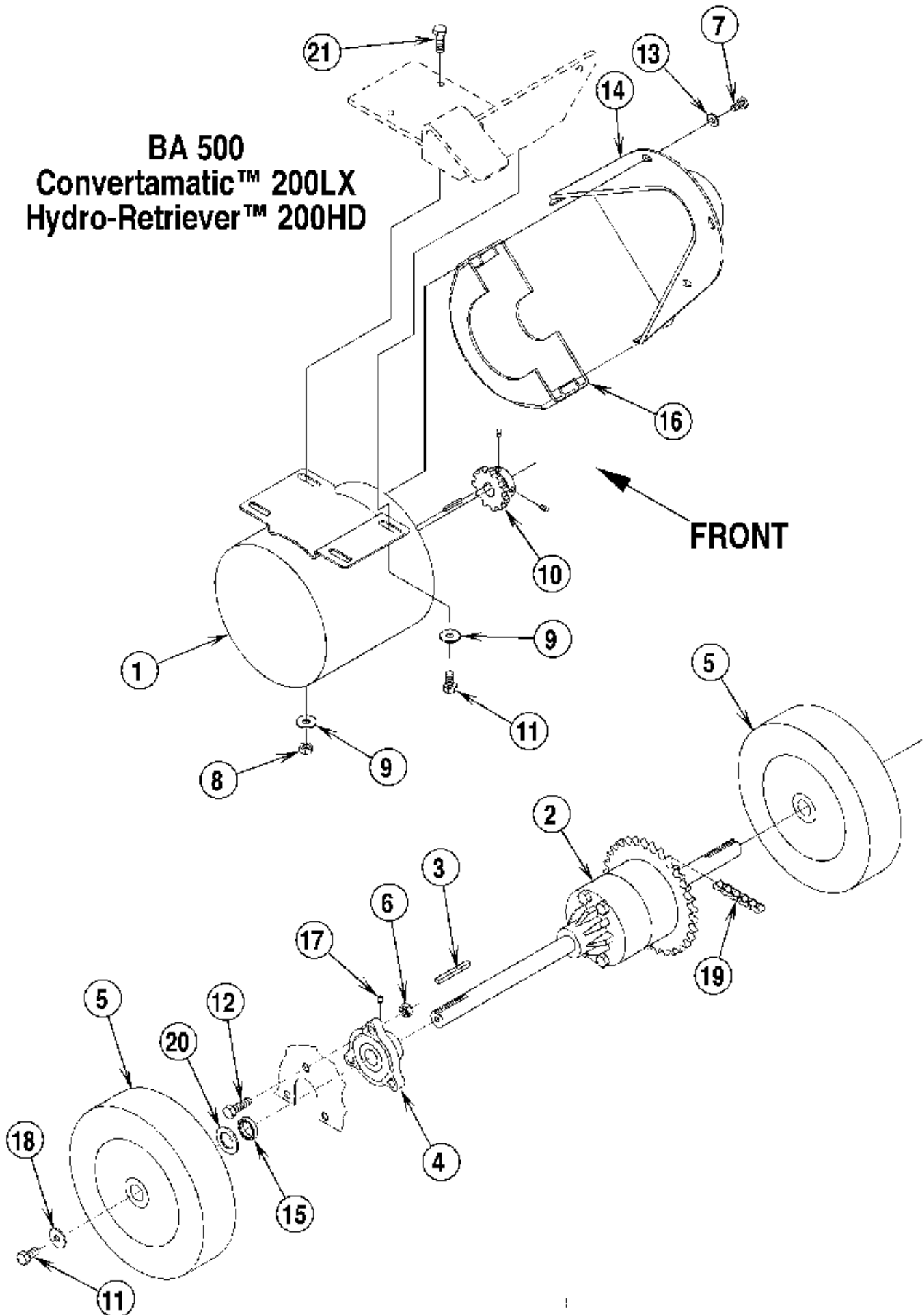
08-06-2011

Part List ID

E33119

24

BA 500 Convertamatic™ 200LX Hydro-Retriever™ 200HD



DRIVER SYSTEM (BA 500 after SN 1068526 / all 2

BA / CA 500

08-06-2011

Part List ID

E33119

25

Pos	Part no.	Qty	Description	EAN
0	56003246	2	KEY SQ .25 X 1.62	5711144004
0	56324024	1	SPROCKET 40A32	
0	56324253	1	CARBON BRUSH SET 4 BRUSHES	5711144063
0	56324452	1	SPROCKET H40A32	
0	56324584	2	WHEEL FILLED	5711144064
0	56324588	2	BEARING FLANGE	
0	56324590	2	BUSHING	
0	56324594	1	DIFFERENTIAL ASSY	5711144064
0	56748926	2	WSH FLT STEEL 1.030PB125E00458	5711144144
1	56263253	1	MOTOR 24V	5711144036
2	56324592	1	DIFFERENTIAL REPLACEMENT KIT	5711144064
3	56003241	2	KEY SQ .19 X 1.31	5711144004
4	56393677	2	BEARING FLANGE	5711144076
5	56324246	2	WHEEL FILLED	5711144063
6	56002826	6	NUT HEX NYL LOC THIN 5/16 18	5711144002
7	56002729	3	SCR SOC HD 10 32 X .75	
8	56002826	2	NUT HEX NYL LOC THIN 5/16 18	5711144002
9	56001939	4	WSH FLT SAE 5/16	5711144000
10	56388688	1	SPROCKET	
11	56002956	4	SCR HEX LOC 5/16 18 X .75	5711144003
12	56002221	6	SCR HEX 5/16 18 X 1.00	5711144001
13	56002098	3	WSH FLT SAE 1/4	5711144000
14	56324441	1	CHAIN GUARD	
15	56324248	2	BUSHING	
17	56009076	2	SCR SOC SET LOC 1/4 20X.31	5711144008
18	56009094	2	WSH FLT SS .375X1.250X.078	5711144008
19	56324438	1	CHAIN ROLLER E00239	5711144064
20	56009022	2	WSH FLT .752/.756X1.250X.125	5711144007
21	56002667	2	SCR HEX 5/16 18 X .75	5711144002

SOLUTION SYSTEM-200B / 200LX / 200HD

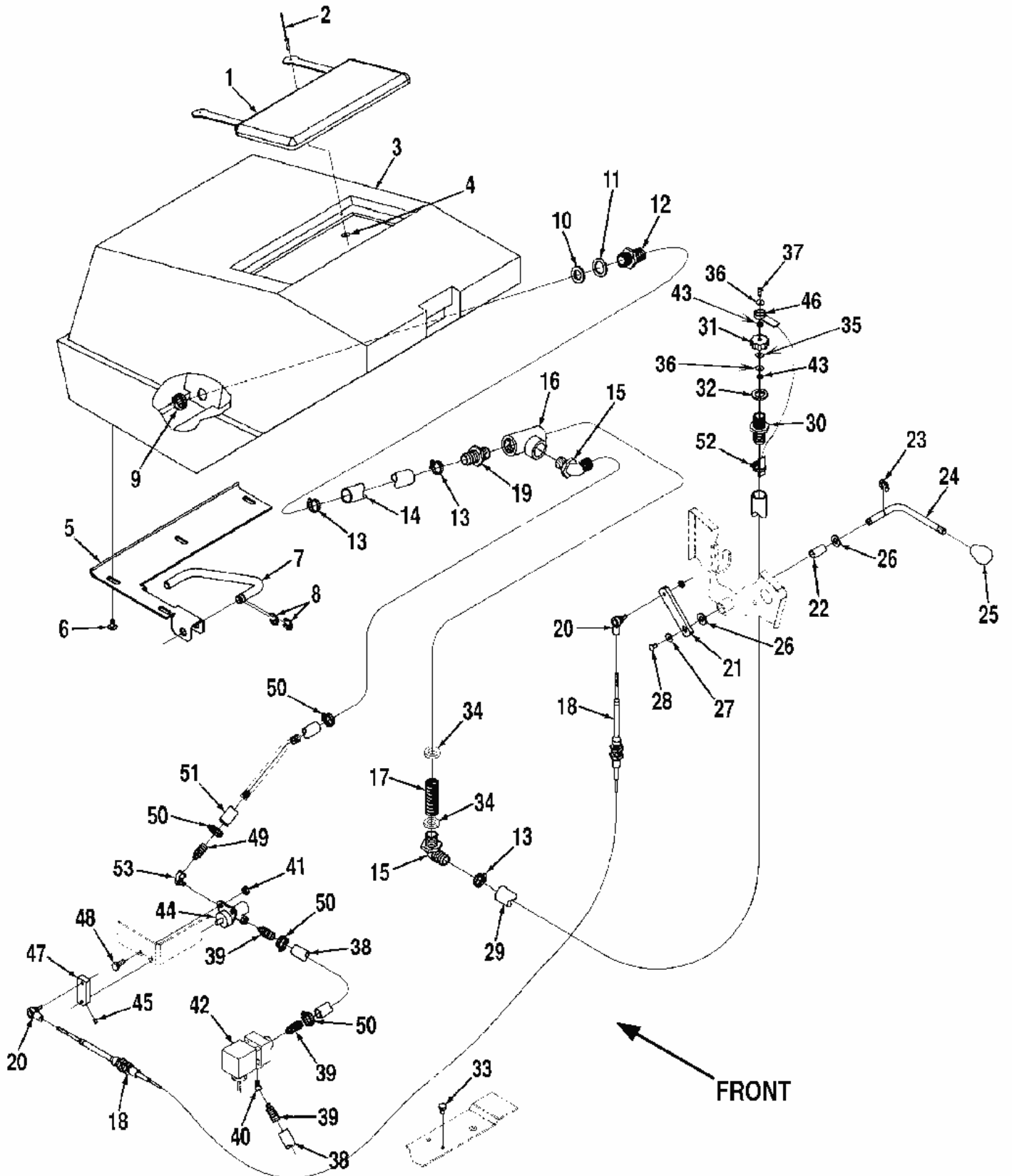
BA / CA 500

08-06-2011

Part List ID

E33121

26



SOLUTION SYSTEM-200B / 200LX / 200HD

BA / CA 500

08-06-2011

Part List ID
E33121

27

Pos	Part no.	Qty	Description	EAN
0	56263379	2	STRAP	5711144036
0	56324193	1	SOL.TANK ASSY.	
0	56386166	1	COVER	
1	56386062	1	COVER ASSEMBLY	
2	56003293	4	RIVET POP A/S .125 X .38/.50	5711144005
3	56324211	1	TANK SOL. ROUTED	
4	56009098	2	WSH FLT SS .125X.500X.036	5711144008
5	56324077	1	PANEL	
6	56009069	4	SCR PAN PHIL LOC 1/4 20X.50	5711144008
7	56324076	1	ROD SUPPORT	
8	56324204	2	RING RETAINING E	
9	56393187	1	NUT	5711144075
10	56249625	1	RESTRAINER .03X1.15	5711144034
11	56154717	1	WSH FLT RUBBER .625PC14F 1	5711144028
12	56393182	1	BARB	5711144075
13	56112771	3	CLAMP HOSE SAE 10 E00047	5711144028
14	56324041	1	HOSE PVC 3/4X2.0 E00521	
15	56456802	2	ELBOW 3/4 X 3/4 E00037	5711144113
16	56324029	1	TEE ABS 3/4 NPT	5711144063
17	56324030	1	FILTER	5711144063
18	56324205	1	CABLE PUSH PULL	5711144063
19	56900292	1	ADAPTER BARB E00039	5711144145
20	56488290	2	ROD END	5711144125
21	56324206	1	BAR LINKAGE	
22	56200972	1	BEARING SLEEVE .37 E00202	5711144029
23	56003262	1	RING RET EXT TYPE E	5711144004
24	56324216	1	ROD VALVE CONTROL	
25	56378534	1	KNOB 1.12X3/8 16 CR29C	5711144068
26	56002063	2	WSH FLT SAE 3/8	5711144000
27	56009096	1	WSH FLT .193X.875X.060	5711144008
28	56002926	1	SCR HEX LOC 10 24 X .38	
29	56324291	1	HOSE	5711144064
30	56900273	1	BARB HOSE E00039	5711144145
31	56255076	1	CAP PIPE GHT NYLON FA33K	5711144035
32	56368776	1	WSH FLT RUBBER .625CV80L	5711144067
33	56001861	2	SCR HEX 1/4 20 X .38	5711144000
34	56324313	2	WSH	5711144064
35	56009200	1	WSH FLT NEOPRENE.156X.562X.062	
36	56002916	2	WSH FLT SAE SS 10	5711144003
37	56002895	1	SCR PAN PHIL SS 8 32 X .75	5711144003
38	56456830	2	TUBE 3/8 X 10.00 E00603	5711144113

Pos No.0 means : Not Show n

SOLUTION SYSTEM-200B / 200LX / 200HD

BA / CA 500

08-06-2011

Part List ID

E33121

28

Pos	Part no.	Qty	Description	EAN
39	56155640	3	BARB 3/8X1/4 BRASS E00039	5711144028
40	56368938	1	ELBOW ST 1/4X45 BR E00029	5711144067
41	56002708	2	NUT HEX NYL LOC 1/4 20	5711144002
42	56324247	1	SOLENOID VALVE ASSY	5711144063
43	56002877	2	NUT HEX NYL LOC SS 8 32	5711144002
44	56368903	1	VALVE 2 WAY 1/4 CV82 2	5711144067
45	56009084	1	SCR SOC SET LOC 10 24X.19	5711144008
46	56324602	1	STRAP	5711144064
48	56001836	2	SCR HEX 1/4 20 X .62	5711144000
49	56373456	1	BARB 1/2X1/4 BR SP E00039	5711144067
50	56219932	5	CLAMP HOSE SAE 6 E00047	5711144033
51	56324249	1	HOSE .50 X 24.00 E00604	5711144063
52	56477613	1	CABLE TIE E00549 RE409S	5711144123
53	56369632	1	ELBOW ST 1/4X90 BR E00031	5711144067

Pos No.0 means : Not Show n

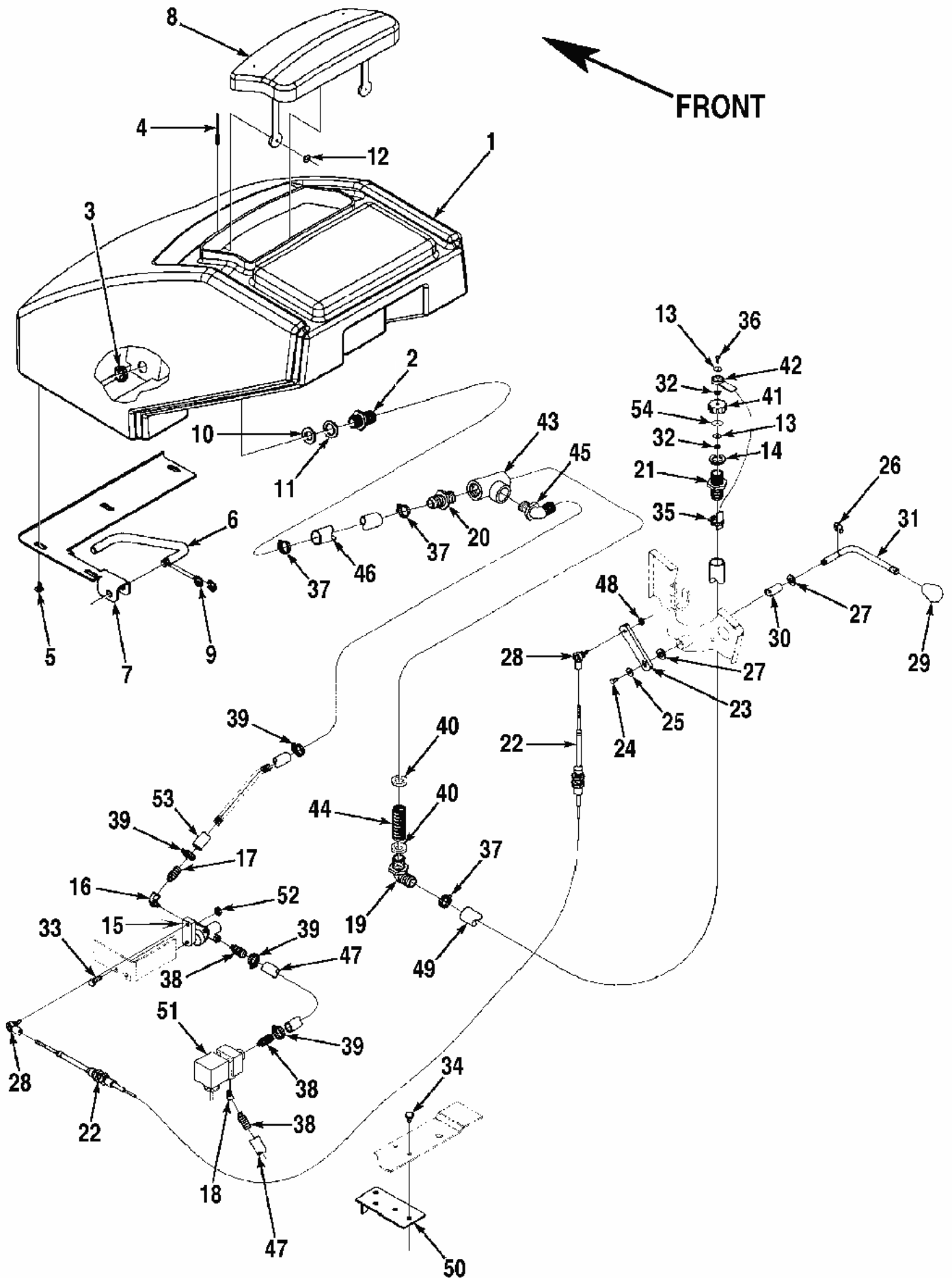
SOLUTION SYSTEM-BA 500

BA / CA 500

08-06-2011

Part List ID
E33123

29



SOLUTION SYSTEM-BA 500

BA / CA 500

08-06-2011

Part List ID
E33123

30

Pos	Part no.	Qty	Description	EAN
0	56003293	2	RIVET POP A/S .125 X .38/.50	5711144005
0	56009098	2	WSH FLT SS .125X.500X.036	5711144008
0	56263379	2	STRAP	5711144036
0	56324506	1	VITON SEAL KIT	5711144064
0	56324507	1	EPDM SEAL KIT	5711144064
2	56393182	1	BARB	5711144075
3	56393187	1	NUT	5711144075
4	56003293	2	RIVET POP A/S .125 X .38/.50	5711144005
5	56009069	4	SCR PAN PHIL LOC 1/4 20X.50	5711144008
6	56324076	1	ROD SUPPORT	
7	56324077	1	PANEL	
8	56324411	1	COVER ASSEMBLY	
9	56324204	2	RING RETAINING E	
10	56154717	1	WSH FLT RUBBER .625PC14F 1	5711144028
11	56249625	1	RESTRAINER .03X1.15	5711144034
12	56009098	2	WSH FLT SS .125X.500X.036	5711144008
13	56002916	2	WSH FLT SAE SS 10	5711144003
14	56368776	1	WSH FLT RUBBER .625CV80L	5711144067
15	56324512	1	VALVE 2 WAY	5711144064
16	56369632	1	ELBOW ST 1/4X90 BR E00031	5711144067
17	56373456	1	BARB 1/2X1/4 BR SP E00039	5711144067
18	56368938	1	ELBOW ST 1/4X45 BR E00029	5711144067
19	56456802	1	ELBOW 3/4 X 3/4 E00037	5711144113
20	56900292	1	ADAPTER BARB E00039	5711144145
21	56900273	1	BARB HOSE E00039	5711144145
22	56324205	1	CABLE PUSH PULL	5711144063
23	56324206	1	BAR LINKAGE	
24	56002926	1	SCR HEX LOC 10 24 X .38	
25	56009096	1	WSH FLT .193X.875X.060	5711144008
26	56003262	1	RING RET EXT TYPE E	5711144004
27	56002063	2	WSH FLT SAE 3/8	5711144000
28	56488290	2	ROD END	5711144125
29	56378534	1	KNOB 1.12X3/8 16 CR29C	5711144068
30	56200972	1	BEARING SLEEVE .37 E00202	5711144029
31	56324216	1	ROD VALVE CONTROL	
32	56002877	2	NUT HEX NYL LOC SS 8 32	5711144002
33	56001836	2	SCR HEX 1/4 20 X .62	5711144000
34	56001861	2	SCR HEX 1/4 20 X .38	5711144000
35	56477613	1	CABLE TIE E00549 RE409S	5711144123
36	56002895	1	SCR PAN PHIL SS 8 32 X .75	5711144003
37	56112771	3	CLAMP HOSE SAE 10 E00047	5711144028

Pos No.0 means : Not Show n

SOLUTION SYSTEM-BA 500

BA / CA 500

08-06-2011

Part List ID
E33123

31

Pos	Part no.	Qty	Description	EAN
38	56155640	3	BARB 3/8X1/4 BRASS E00039	5711144028
39	56219932	4	CLAMP HOSE SAE 6 E00047	5711144033
40	56324313	2	WSH	5711144064
41	56255076	1	CAP PIPE GHT NYLON FA33K	5711144035
42	56324602	1	STRAP	5711144064
43	56324029	1	TEE ABS 3/4 NPT	5711144063
44	56324030	1	FILTER	5711144063
45	56324035	1	ELBOW E00037	5711144063
46	56324041	1	HOSE PVC 3/4X2.0 E00521	
47	56456830	2	TUBE 3/8 X 10.00 E00603	5711144113
48	56002873	1	NUT HEX NYL LOC 10 32	5711144002
49	56324291	1	HOSE	5711144064
50	56324437	1	BRACKET SOLENOID	
51	56324247	1	SOLENOID VALVE ASSY	5711144063
52	56002708	2	NUT HEX NYL LOC 1/4 20	5711144002
53	56324249	1	HOSE .50 X 24.00 E00604	5711144063
54	56009200	1	WSH FLT NEOPRENE.156X.562X.062	

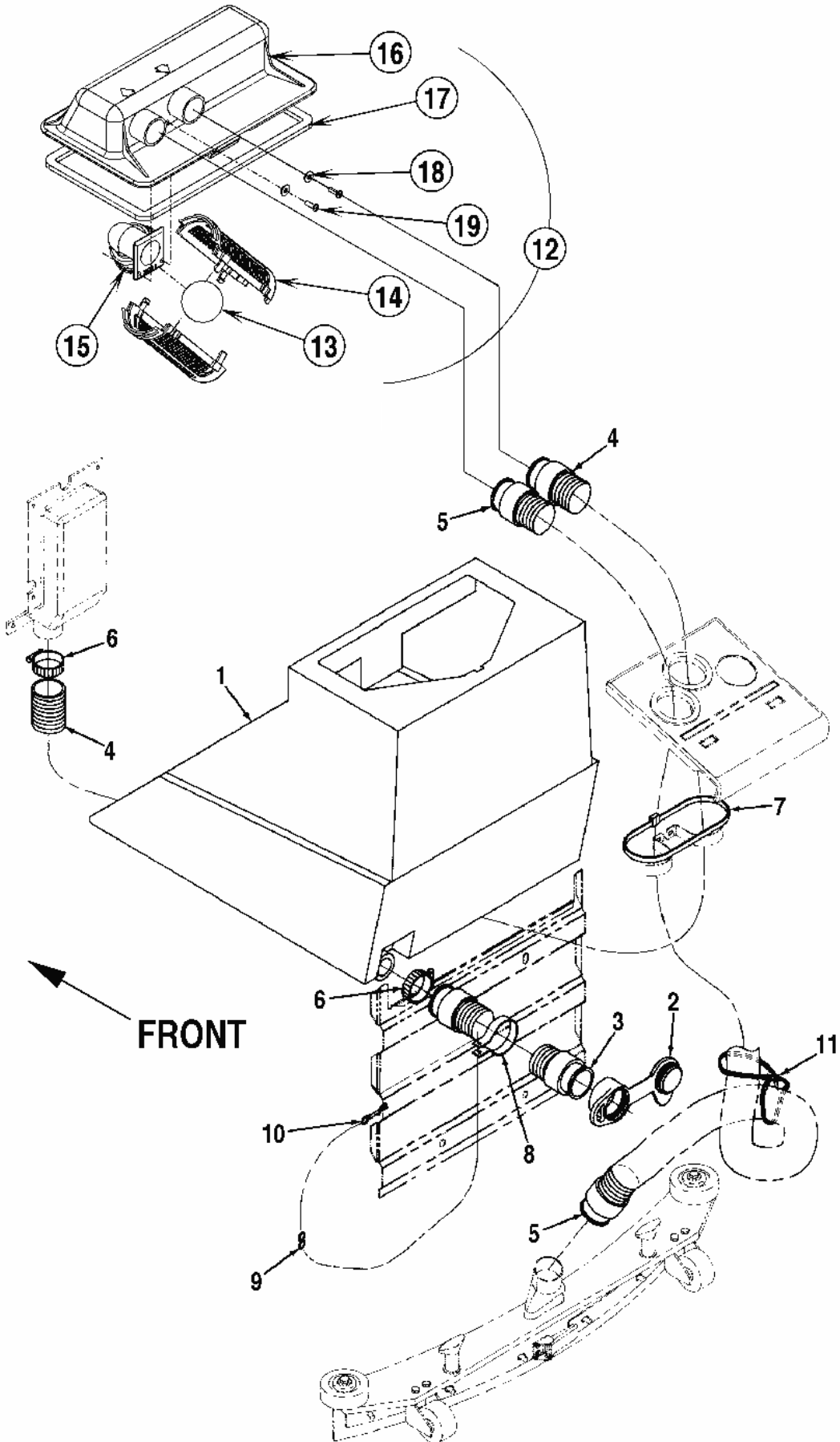
RECOVERY SYSTEM-200B / 200LX / 200HD

BA / CA 500

08-06-2011

Part List ID
E33125

32



RECOVERY SYSTEM-200B / 200LX / 200HD

BA / CA 500

08-06-2011

Part List ID

E33125

33

Pos	Part no.	Qty	Description	EAN
1	56324179	1	TANK RECOVERY	
2	56324180	1	PLUG DRAIN 1 1/2	5711144063
3	56393770	1	VAC HOSE 1.50 ASSY.	5711144076
4	56324775	1	VAC HOSE 1.50 ASSY.	5711144064
5	56393771	1	VAC HOSE 1.50 ASSY.	5711144076
6	56329145	2	CLAMP HOSE SAE 24 E00047	5711144065
7	56477613	5	CABLE TIE E00549 RE409S	5711144123
8	56263379	1	STRAP	5711144036
9	56745391	1	HOOK AC210A	5711144144
10	56324281	1	SNAP	
11	56393381	1	CABLE TIE	5711144075
12	56324045	1	COVER ASSY	5711144063
13	56391690	1	BALL FLOAT	5711144073
14	56324497	2	FLOAT CAGE	5711144064
15	56324298	1	ELBOW FLOAT	5711144064
16	56324046	1	COVER DRILLED	5711144063
17	56262576	1	GASKET	5711144036
18	56209261	2	WASHER SEALING	5711144031
19	56003633	2	SCR PAN PHIL PLAS.SS10 14X.5	5711144006

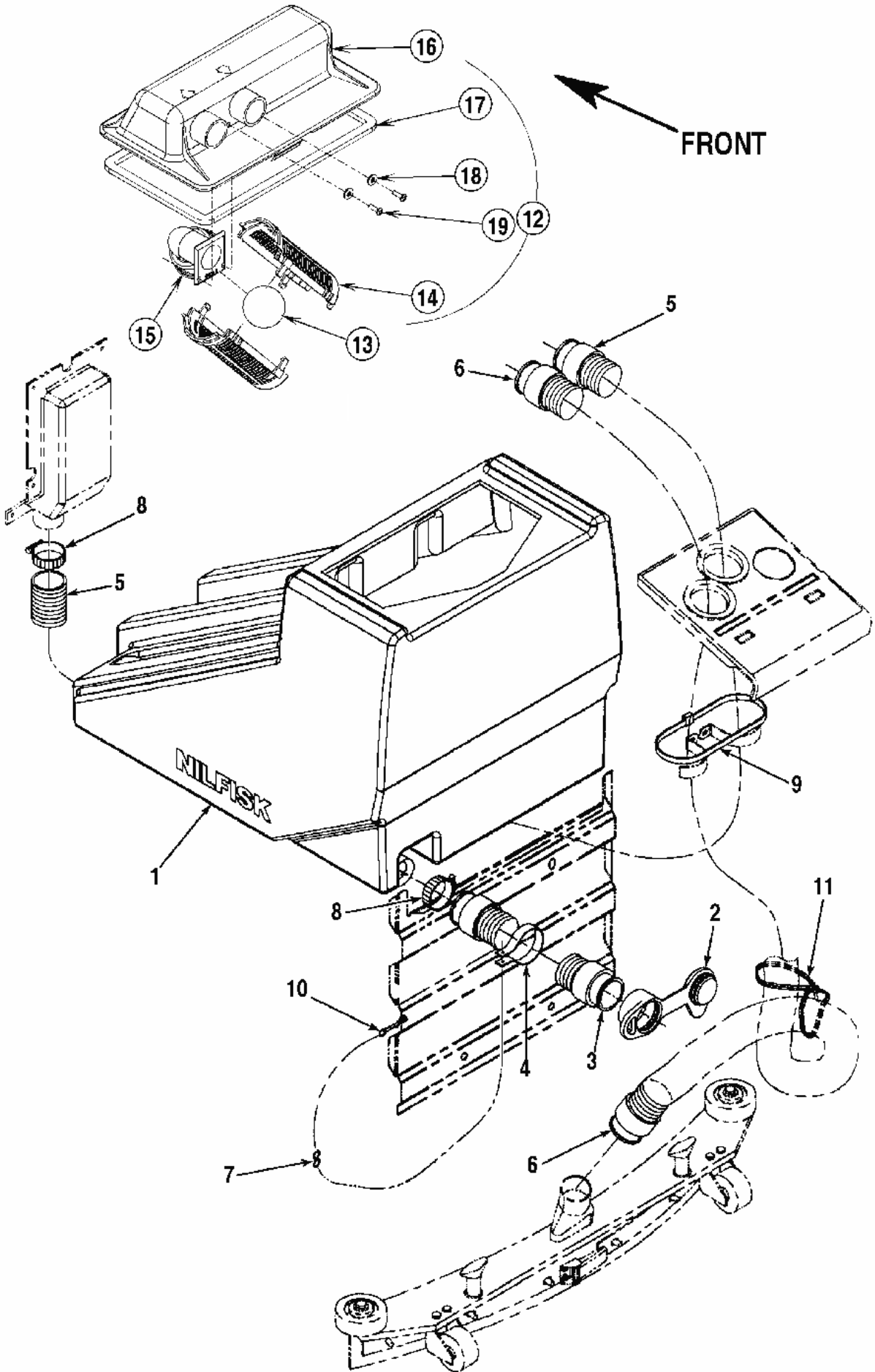
RECOVERY SYSTEM-BA 500

BA / CA 500

08-06-2011

Part List ID
E33127

34



RECOVERY SYSTEM-BA 500

BA / CA 500

08-06-2011

Part List ID

E33127

35

Pos	Part no.	Qty	Description	EAN
1	56324391	1	TANK RECOVERY	
2	56393772	1	PLUG DRAIN 1 1/2	5711144076
3	56393770	1	VAC HOSE 1.50 ASSY.	5711144076
4	56263379	1	STRAP	5711144036
5	56324775	1	VAC HOSE 1.50 ASSY.	5711144064
6	56393771	1	VAC HOSE 1.50 ASSY.	5711144076
7	56745391	1	HOOK AC210A	5711144144
8	56329145	2	CLAMP HOSE SAE 24 E00047	5711144065
9	56477613	5	CABLE TIE E00549 RE409S	5711144123
10	56324281	1	SNAP	
11	56393381	1	CABLE TIE	5711144075
12	56324045	1	COVER ASSY	5711144063
13	56391690	1	BALL FLOAT	5711144073
14	56324497	2	FLOAT CAGE	5711144064
15	56324298	1	ELBOW FLOAT	5711144064
16	56324046	1	COVER DRILLED	5711144063
17	56262576	1	GASKET	5711144036
18	56209261	2	WASHER SEALING	5711144031
19	56003633	2	SCR PAN PHIL PLAS.SS10 14X.5	5711144006

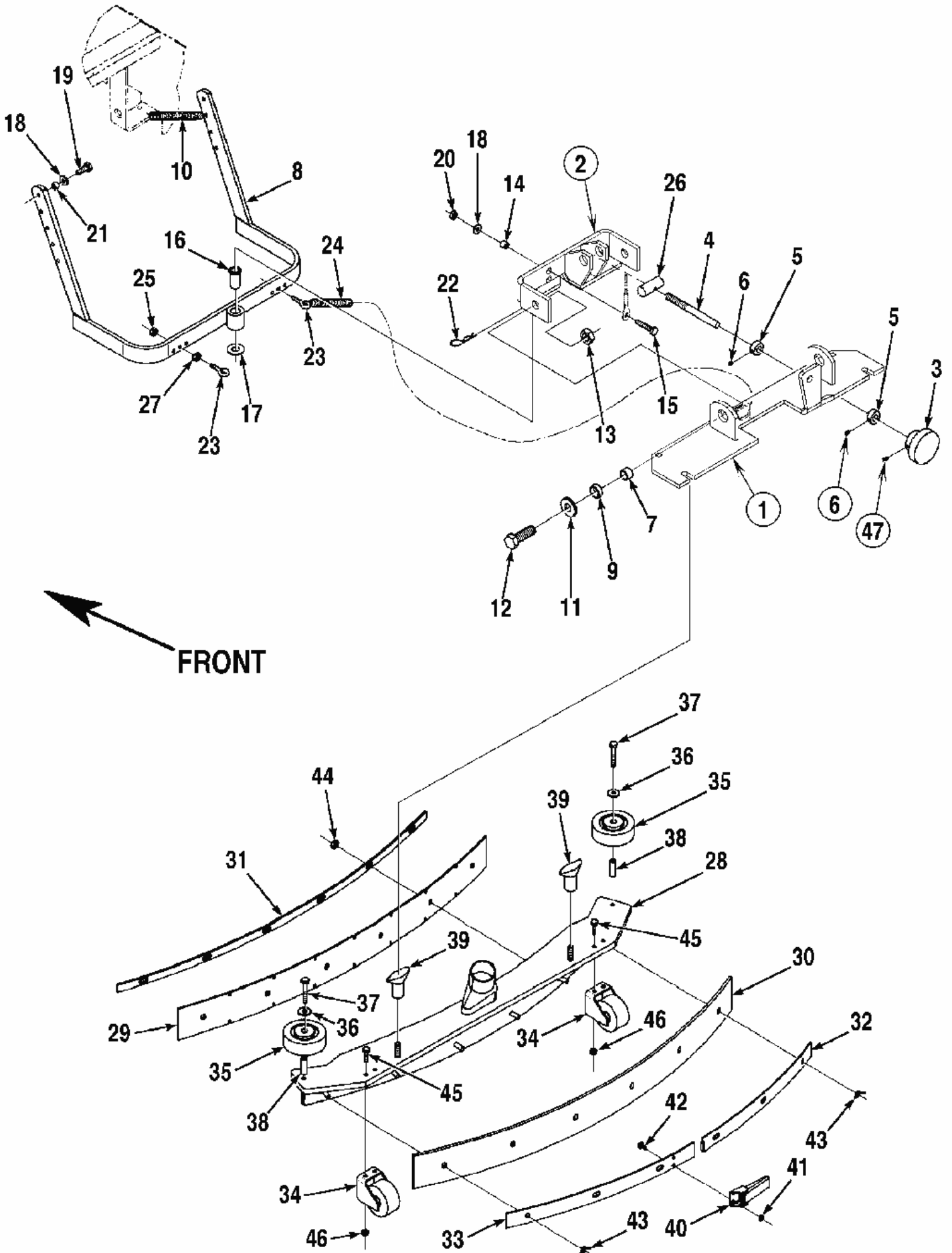
SQUEEGEE SYSTEM

BA / CA 500

08-06-2011

Part List ID
E33129

36



SQUEEGEE SYSTEM

BA / CA 500

08-06-2011

Part List ID
E33129

37

Pos	Part no.	Qty	Description	EAN
0	56324383	1	BLADE SQUEEGEE NEO RR	
0	56324384	1	BLADE KIT SQUEEGEE NEO	5711144064
0	56324385	1	BLADE KIT SQUEEGEE NEO	5711144064
0	56324397	1	SQUEEGEE ASSY. NILFISK	5711144064
1	56324405	1	MT. WLDMT.	
2	56324404	1	MT. WELD.	
3	56475480	1	KNOB 2.00X.375 RE253C	5711144123
4	56391855	1	ROD ADJUSTER	5711144073
5	56331076	2	COLLAR .38X.75X.31 HC611C	5711144066
6	56009084	2	SCR SOC SET LOC 10 24X.19	5711144008
7	56360627	2	BUSHING .50X.62X.41CT32G	5711144066
8	56324432	1	LINKAGE WELD	
9	56478781	2	BEARING SLEEVE .627RE450CE0202	5711144124
10	56448112	2	SPRING EXT .56X4.25CV611A	5711144107
11	56001879	2	WSH FLT SAE 1/2	5711144000
12	56001968	2	SCR HEX 1/2 13 X 1.50	5711144000
13	56002770	2	NUT HEX NYL LOC 1/2 13	5711144002
14	56324321	1	BUSHING	
15	56001821	1	SCR HEX 1/4 20 X .88	5711144000
16	56492471	1	FLANGE BEARING	5711144126
17	56002168	1	WSH FLT STD 1/2	5711144001
18	56002098	3	WSH FLT SAE 1/4	5711144000
19	56009018	2	SCR HEX THD FORM 1/4 20X .75	5711144007
20	56002708	1	NUT HEX NYL LOC 1/4 20	5711144002
21	56206784	2	BUSHING SP626C	5711144031
22	56002959	1	PIN COT HAIR SS.090XDIA.50/.75	5711144003
23	56009202	2	BOLT EYE 10 24X.62	
24	56470672	2	SPRING EXT .75X3.00RE124K	5711144123
25	56002832	2	NUT HEX NYL LOC THIN 10 24	5711144002
26	56324369	1	PIN	5711144064
27	56002832	2	NUT HEX NYL LOC THIN 10 24	5711144002
28	56324403	1	TOOL WLD.	5711144064
29	56324385	1	BLADE KIT SQUEEGEE NEO	5711144064
30	56324385	1	BLADE KIT SQUEEGEE NEO	5711144064
31	56324402	1	STRAP FRONT	
32	56324398	1	STRAP REAR RT.	
33	56324399	1	STRAP REAR LT.	5711144064
34	56393755	2	ROLLER ASSY	5711144076
35	56363855	2	WHEEL 2.50X.812 CA215W	5711144066
36	56002859	2	WSH FLT SAE SS 1/4	5711144002
37	56002901	2	SCR HEX SS 1/4 20 X 1.50	5711144003

Pos No.0 means : Not Show n

SQUEEGEE SYSTEM

BA / CA 500

08-06-2011

Part List ID
E33129

38

Pos	Part no.	Qty	Description	EAN
38	56471220	2	BUSHING .25X.37X1.0RE185L	5711144123
39	56370711	2	NUT THUMB	5711144067
40	56471194	1	LATCH ASSY RE32	5711144123
41	56002964	2	NUT HEX NYL LOC THIN SS 6 32	5711144003
42	56002909	2	SCR PAN PHIL SS 6 32 X .38	5711144003
43	56003089	2	NUT WING LOC 1/4 20	5711144004
44	56002491	6	NUT HEX NYL LOC SS 1/4 20	5711144001
45	56002835	4	SCR HEX SS 10 24 X .75	5711144002
46	56002849	4	NUT HEX NYL LOC THIN SS 10 24	5711144002
47	56003123	1	SCR SOC SET 10 24 X .38	5711144004

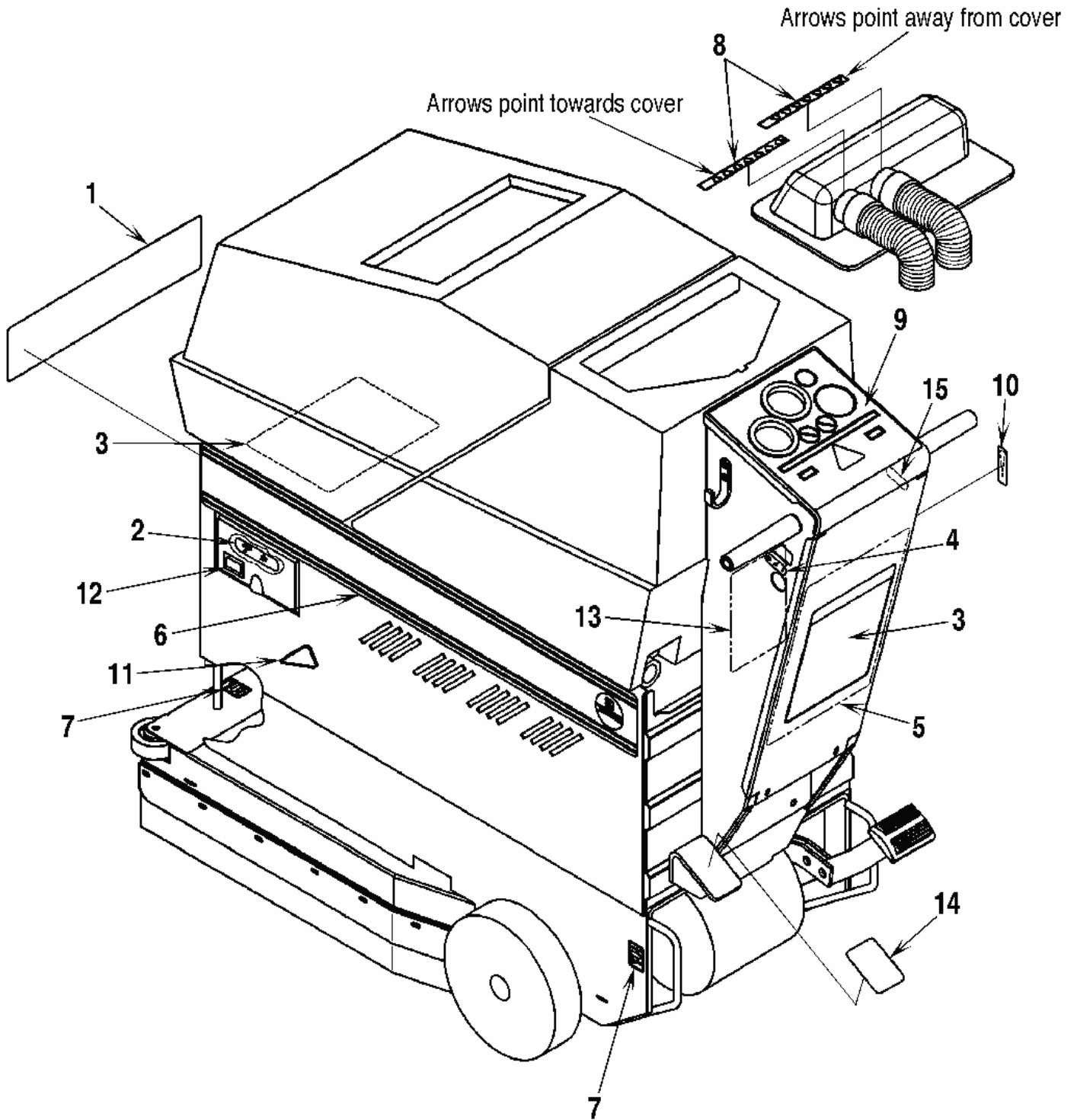
DECAL SYSTEM-200B / 200LX / 200HB

BA / CA 500

08-06-2011

Part List ID
E33131

39



DECAL SYSTEM-200B / 200LX / 200HB

BA / CA 500

08-06-2011

Part List ID
E33131

40

Pos	Part no.	Qty	Description	EAN
0	56015203	1	DECAL WIRING	5711144009
0	56015525	1	DECAL RESET	
2	56015526	1	DECAL RESET	
3	56014601	2	DECAL CAUTION	5711144009
4	56015422	1	DECAL POWER	5711144010
7	56015370	4	DECAL TIE DOWN	5711144010
8	56015655	2	DECAL DIRECTION	5711144010
9	56015371	1	DECAL CONTROL PANEL	
10	56016334	1	DECAL SOL. VALVE	
11	56015506	1	DECAL WARNING BRUS	
12	56054192	1	DECAL CHARGER WCA398K	5711144016
13	56015414	1	DECAL BATTERIES	
14	56324440	1	PAD GRIP	
15	56015487	1	DECAL POWER	

Pos No.0 means : Not Show n

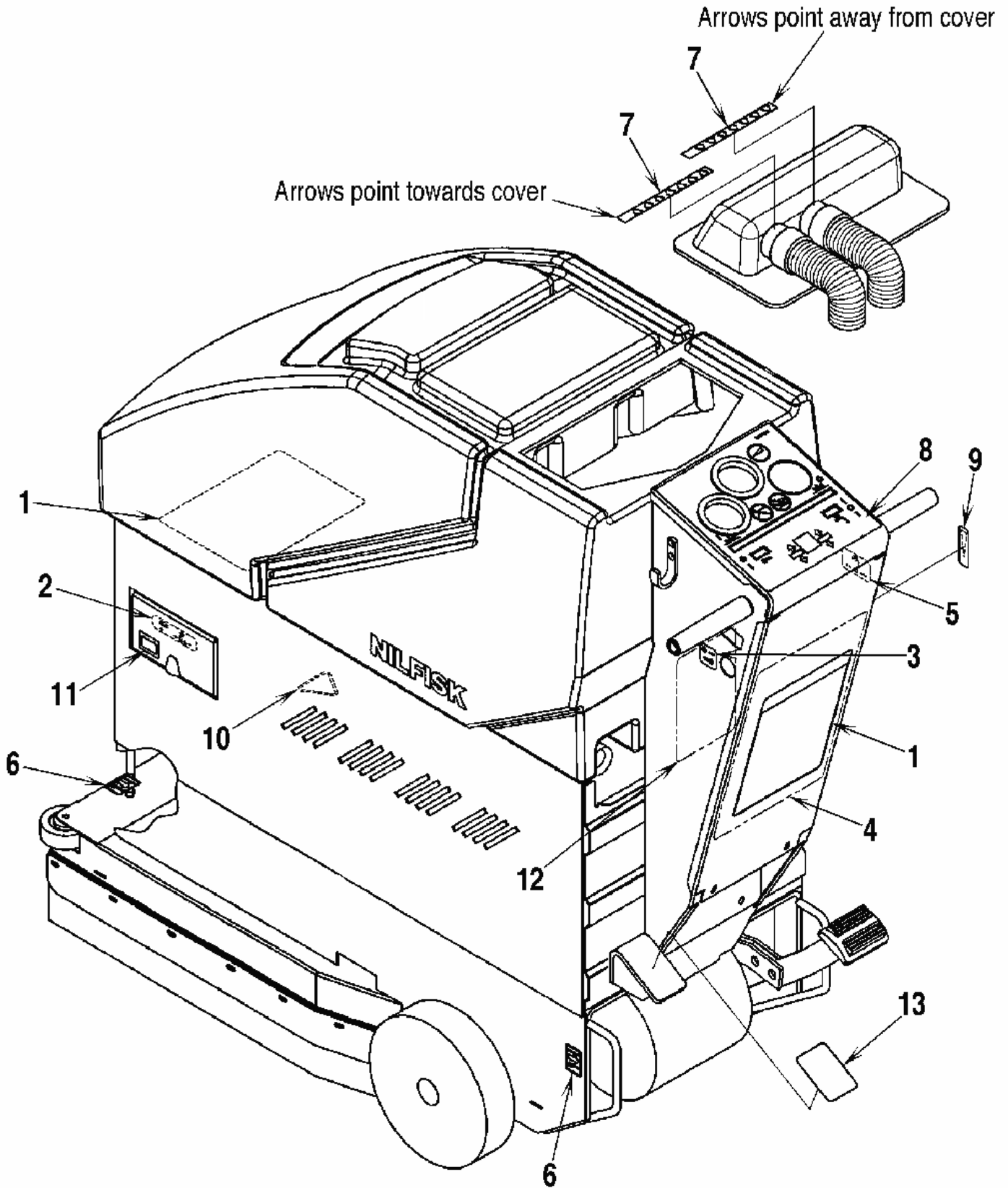
DECAL SYSTEM-BA 500

BA / CA 500

08-06-2011

Part List ID
E33133

41



DECAL SYSTEM-BA 500

BA / CA 500

08-06-2011

Part List ID
E33133

42

Pos	Part no.	Qty	Description	EAN
1	56014601	2	DECAL CAUTION	5711144009
2	56015525	1	DECAL RESET	
4	56015203	1	DECAL WIRING	5711144009
5	56015714	1	DECAL SOLUTION ON/OFF/ON	
6	56015370	4	DECAL TIE DOWN	5711144010
7	56015655	2	DECAL DIRECTION	5711144010
9	56016334	1	DECAL SOL. VALVE	
10	56015506	1	DECAL WARNING BRUS	
11	56054192	1	DECAL CHARGER WCA398K	5711144016
12	56015388	1	DECAL WIRING	
13	56324440	1	PAD GRIP	

HANDEL ELECTRICAL SYSTEM-200B

BA / CA 500

08-06-2011

Part List ID
E33135

44

Pos	Part no.	Qty	Description	EAN
0	56301636	1	SWITCH TOGGLE	5711144040
0	56393415	1	KEY REPLACEMENT	5711144075
2	56324232	1	BRACKET SWITCH	
3	56376015	1	NUT PLATE	5711144067
4	56324362	2	SWITCH	5711144064
5	56389434	1	LIGHT INDIC. GREEN	5711144072
6	56372089	1	FUEL GAUGE BATTERY	5711144067
7	56393325	1	BRACKET KEYLOCK	5711144075
8	56900753	2	TIE PUSH MOUNT E00217	5711144146
9	56003214	2	SCR SOC SHD .25 X 1.25 X 10 24	5711144004
10	56002832	2	NUT HEX NYL LOC THIN 10 24	5711144002
11	56324272	1	SWITCH FOR AG 16	5711144063
13	56900144	1	PLUG CAP E00046	5711144145
14	56260155	1	PLUG	
15	56003009	4	SCR HEX 6 32 X 1.00	5711144003
16	56009012	4	SCR HEX THD FORM 10 24X.38	5711144007
17	56324028	1	LIGHT BLUE 28V	5711144063

Pos No.0 means : Not Show n

HANDEL ELETRICAL SYSTEM-200LX / 200HD / BA

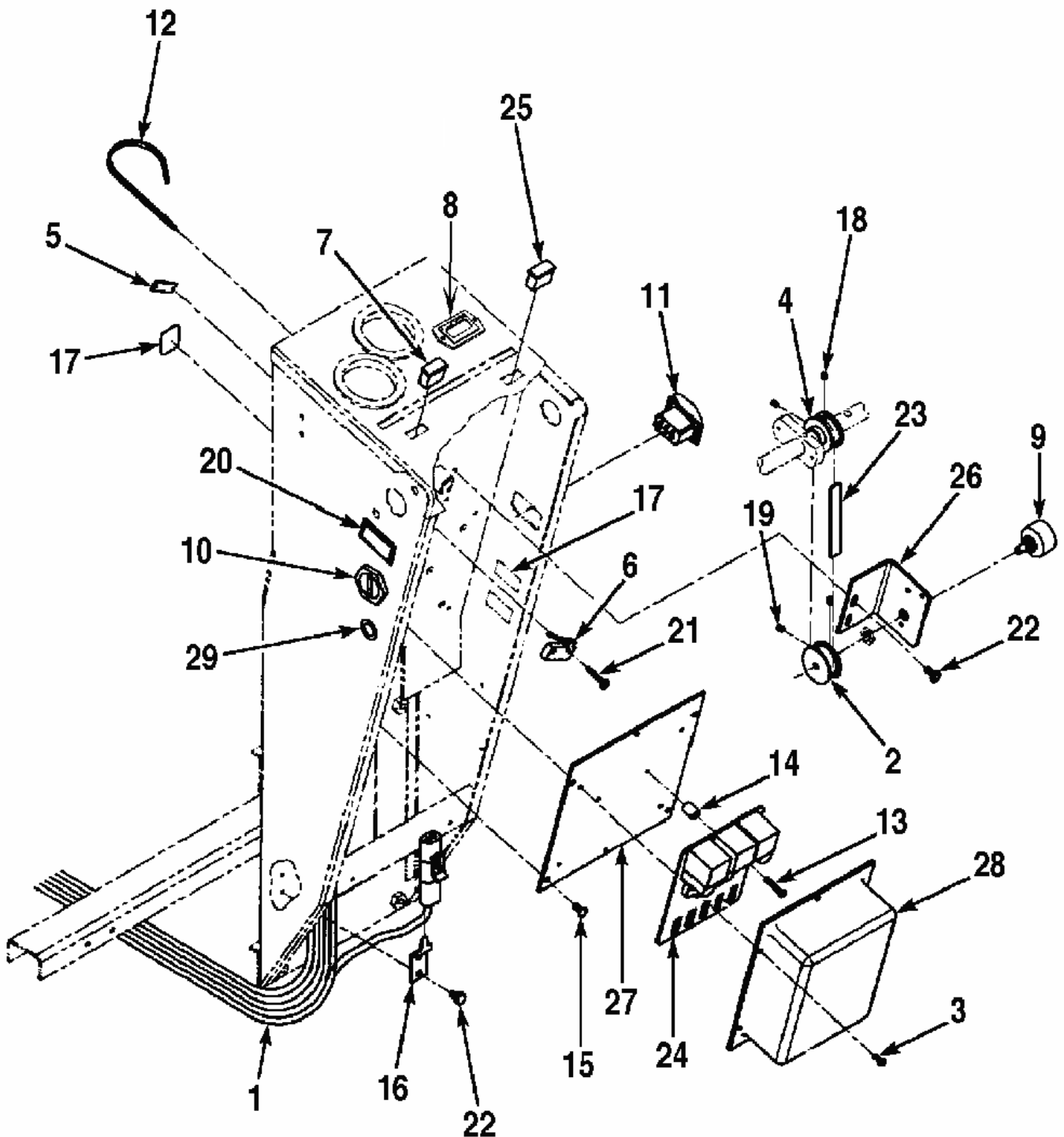
BA / CA 500

08-06-2011

Part List ID
E33137

45

FRONT



HANDEL ELETRICAL SYSTEM-200LX / 200HD / BA

BA / CA 500

08-06-2011

Part List ID

E33137

46

Pos	Part no.	Qty	Description	EAN
0	56301636	1	SWITCH TOGGLE	5711144040
0	56393415	1	KEY REPLACEMENT	5711144075
2	56324513	1	PULLEY COG	5711144064
3	56009075	2	SCR HEX THD FORM 8 32X.38	5711144008
4	56392859	1	PULLEY COG	5711144075
5	56376015	1	NUT PLATE	5711144067
6	56324362	1	SWITCH	5711144064
7	56389434	1	LIGHT INDIC. GREEN	5711144072
8	56372089	1	FUEL GAUGE BATTERY	5711144067
9	56454740	1	POTENTIOMETER 5K	5711144110
10	56393325	1	BRACKET KEYLOCK	5711144075
11	56324272	1	SWITCH FOR AG 16	5711144063
12	56900753	2	TIE PUSH MOUNT E00217	5711144146
13	56009034	2	SCR PAN PHIL THD FORM 8 32X.88	5711144007
14	56377721	2	SPACER	5711144068
15	56002834	6	SCR HEX 10 24 X .38	5711144002
18	56009084	2	SCR SOC SET LOC 10 24X.19	5711144008
19	56002279	2	SCR SOC SET LOC 8 32X.25	5711144001
20	56260155	1	PLUG	
21	56003009	2	SCR HEX 6 32 X 1.00	5711144003
22	56009012	6	SCR HEX THD FORM 10 24X.38	5711144007
23	56324022	1	BELT 1/5PX10.0X.25	5711144063
24	56324023	1	SPEED CONTROLLER	5711144063
25	56324028	1	LIGHT BLUE 28V	5711144063
26	56324119	1	BRACKET POT.MT.	5711144063
27	56324121	1	HEAT SINK	
29	56900144	1	PLUG CAP E00046	5711144145

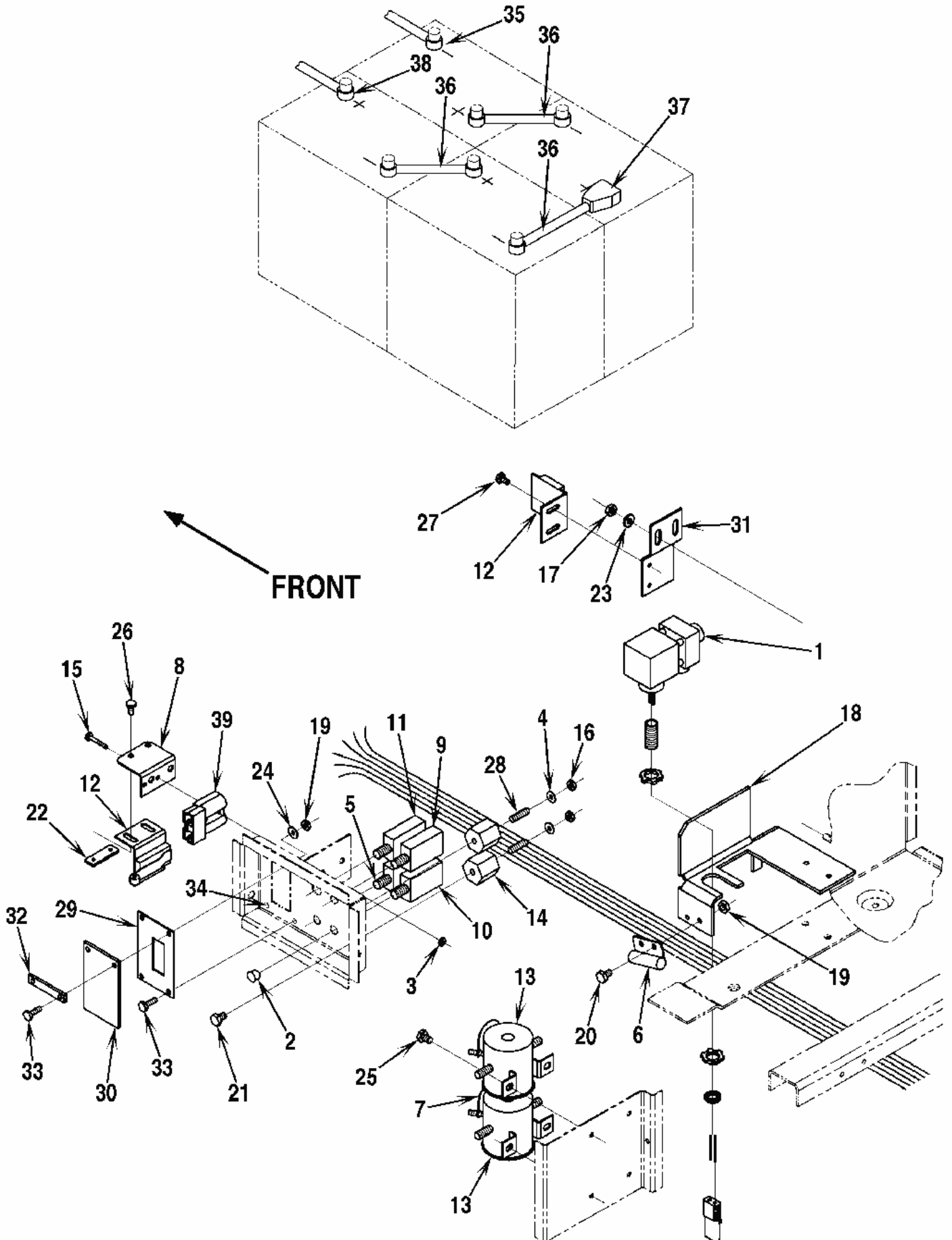
CHASSIS ELETRICAL SYSTEM

BA / CA 500

08-06-2011

Part List ID
E33139

47



CHASSIS ELETRICAL SYSTEM

BA / CA 500

08-06-2011

Part List ID

E33139

48

Pos	Part no.	Qty	Description	EAN
0	56001833	2	SCR HEX 1/4 20 X 1.50	5711144000
0	56002708	2	NUT HEX NYL LOC 1/4 20	5711144002
0	56100621	1	CONNECTOR HSG. 24V	5711144018
0	56100623	2	CONTACT	5711144018
0	56324306	2	CONTACT FOR 324305	5711144064
0	56324307	1	ADAPTOR PLUG ASSY.	
1	56324247	1	SOLENOID VALVE ASSY	5711144063
2	56493149	1	PLUG CAP E00046	5711144126
3	56002830	2	NUT HEX NYL LOC 6 32	5711144002
4	56009064	2	WSH INT SHPRF 1/4	5711144007
5	56387328	1	CIRCUIT BREAKER 5A	5711144071
6	56324214	1	SWITCH ASSY.	
7	56389265	2	RECTIFIER ASSY.	5711144072
8	56324308	1	BRACKET	
9	56395454	1	CIRCUIT BREAKER 20A	5711144076
10	56395454	1	CIRCUIT BREAKER 20A	5711144076
11	56454423	1	CIRCUIT BREAKER 30A	5711144110
12	56462362	2	SWITCH ASSY.	5711144119
13	56468358	2	SWITCH SOLENOID 24V	5711144122
14	56469858	2	INSULATED STANDOFF	5711144122
15	56003009	2	SCR HEX 6 32 X 1.00	5711144003
16	56009087	2	NUT HEX JAM 1/4 20	5711144008
17	56002840	2	NUT HEX NYL LOC THIN 1/4 20	5711144002
18	56324437	1	BRACKET SOLENOID	
19	56002832	6	NUT HEX NYL LOC THIN 10 24	5711144002
20	56002503	2	SCR HEX 10 24 X .50	5711144001
21	56002933	2	SCR HEX LOC 1/4 20 X .38	5711144003
22	56324310	1	NUT PLATE	5711144064
23	56002098	2	WSH FLT SAE 1/4	5711144000
24	56001954	4	WSH FLT SAE 10	5711144000
25	56009019	4	SCR HEX THD FORM 1/4 20X .38	5711144007
26	56002834	2	SCR HEX 10 24 X .38	5711144002
27	56009012	2	SCR HEX THD FORM 10 24X.38	5711144007
28	56009020	2	STUD 1/4 20 X .88	5711144007
29	56324305	1	CONNECTOR RED 24V 50	5711144064
30	56324086	1	FLAP	
31	56324062	1	PLATE SWITCH	
32	56324085	1	STRAP	

** 56324307 1 Battery Charger Adapter NOTE 1

NOTE 1: Battery Charger Adapter with (1) small red end and (1) large red end. Use only when switching a machine from its original (STD) batteries to a 2 or 4 battery pack. IMPORTANT!: DO NOT USE THIS ADAPTER TO HOOK UP A 24V, 20 AMP CHARGER TO (2) 12V BATTERIES.

CHASSIS ELETRICAL SYSTEM

BA / CA 500

08-06-2011

Part List ID
E33139

49

Pos	Part no.	Qty	Description	EAN
33	56002504	4	SCR HEX 10 24 X .75	5711144001
34	56153699	2	PLUG BUTTON .281 E00172	
35	56372526	1	CABLE ASSY. E00232	5711144067
36	56363928	3	CABLE ASSY BTY 4X10CA312D	5711144066
37	56372673	8	BOOT BATTERY POST	5711144067
38	56324284	1	BATTERY CABLE E00232	5711144063
39	56324305	1	CONNECTOR RED 24V 50	5711144064

** 56324307 1 Battery Charger Adapter NOTE 1

NOTE 1: Battery Charger Adapter with (1) small red end and (1) large red end. Use only when switching a machine from its original (STD) batteries to a 2 or 4 battery pack. IMPORTANT!: DO NOT USE THIS ADAPTER TO HOOK UP A 24V, 20 AMP CHARGER TO (2) 12V BATTERIES.

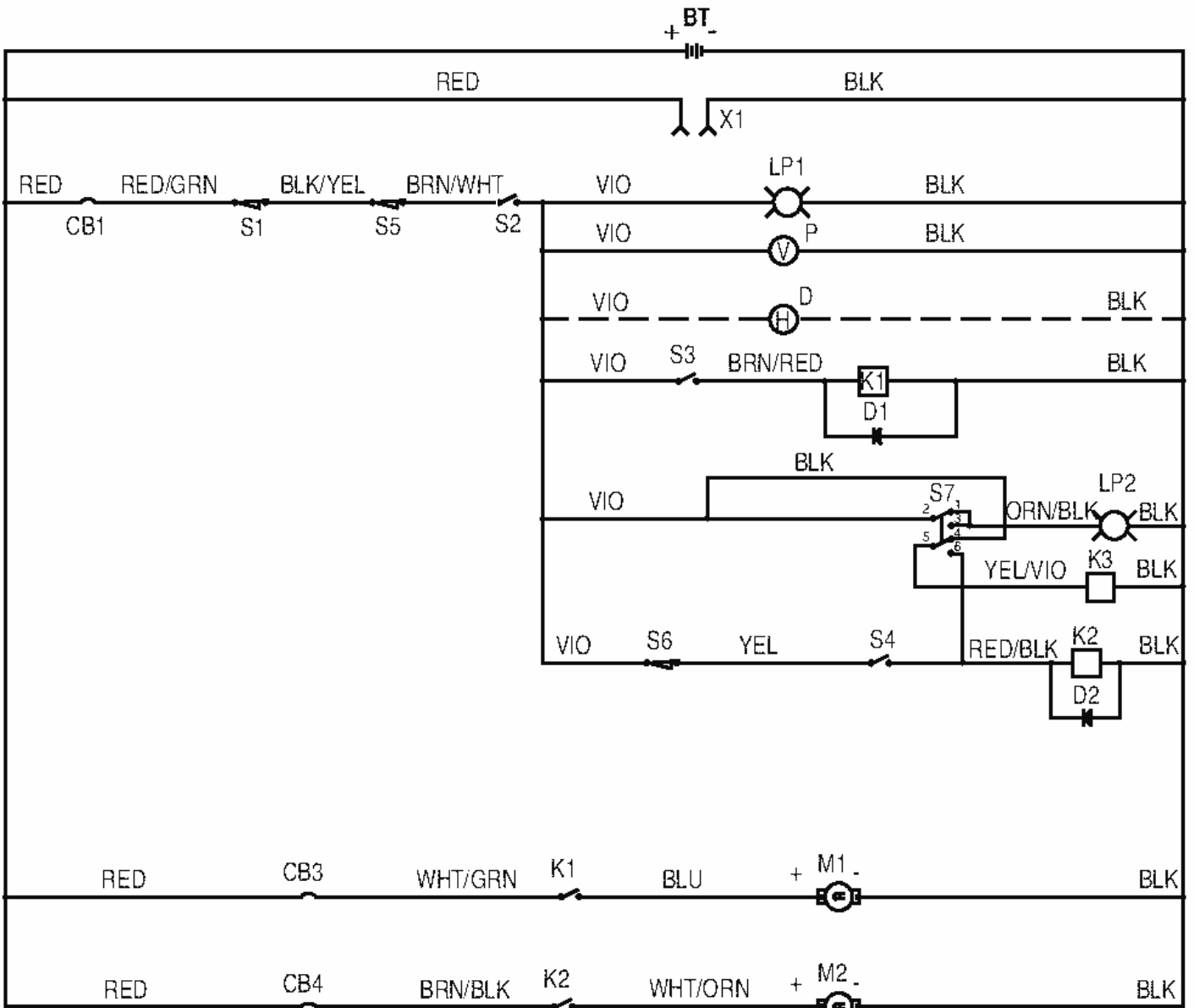
WIRING DIAGRAM-200B

BA / CA 500

08-06-2011

Part List ID
E33141

50



WIRING DIAGRAM-200B

BA / CA 500

08-06-2011

Part List ID
E33141

51

Pos	Part no.	Qty	Description	EAN
P	56372089	1	FUEL GAUGE BATTERY	5711144067
D1	56389265	1	RECTIFIER ASSY.	5711144072
D2	56389265	1	RECTIFIER ASSY.	5711144072
K1	56468358	1	SWITCH SOLENOID 24V	5711144122
K2	56468358	1	SWITCH SOLENOID 24V	5711144122
K3	56324247	1	SOLENOID VALVE ASSY	5711144063
M1	56324189	1	VAC MOTOR ELECT.ASS	5711144063
M2	56386261	1	MOTOR CL442	5711144071
S1	56462362	1	SWITCH ASSY.	5711144119
S2	56301636	1	SWITCH TOGGLE	5711144040
S3	56324362	1	SWITCH	5711144064
S4	56462362	1	SWITCH ASSY.	5711144119
S5	56324214	1	SWITCH ASSY.	
S6	56324362	1	SWITCH	5711144064
S7	56324272	1	SWITCH FOR AG 16	5711144063
X1	56324305	1	CONNECTOR RED 24V 50	5711144064
CB1	56387328	1	CIRCUIT BREAKER 5A	5711144071
CB3	56395454	1	CIRCUIT BREAKER 20A	5711144076
CB4	56454423	1	CIRCUIT BREAKER 30A	5711144110
LP1	56389434	1	LIGHT INDIC. GREEN	5711144072
LP2	56324028	1	LIGHT BLUE 28V	5711144063

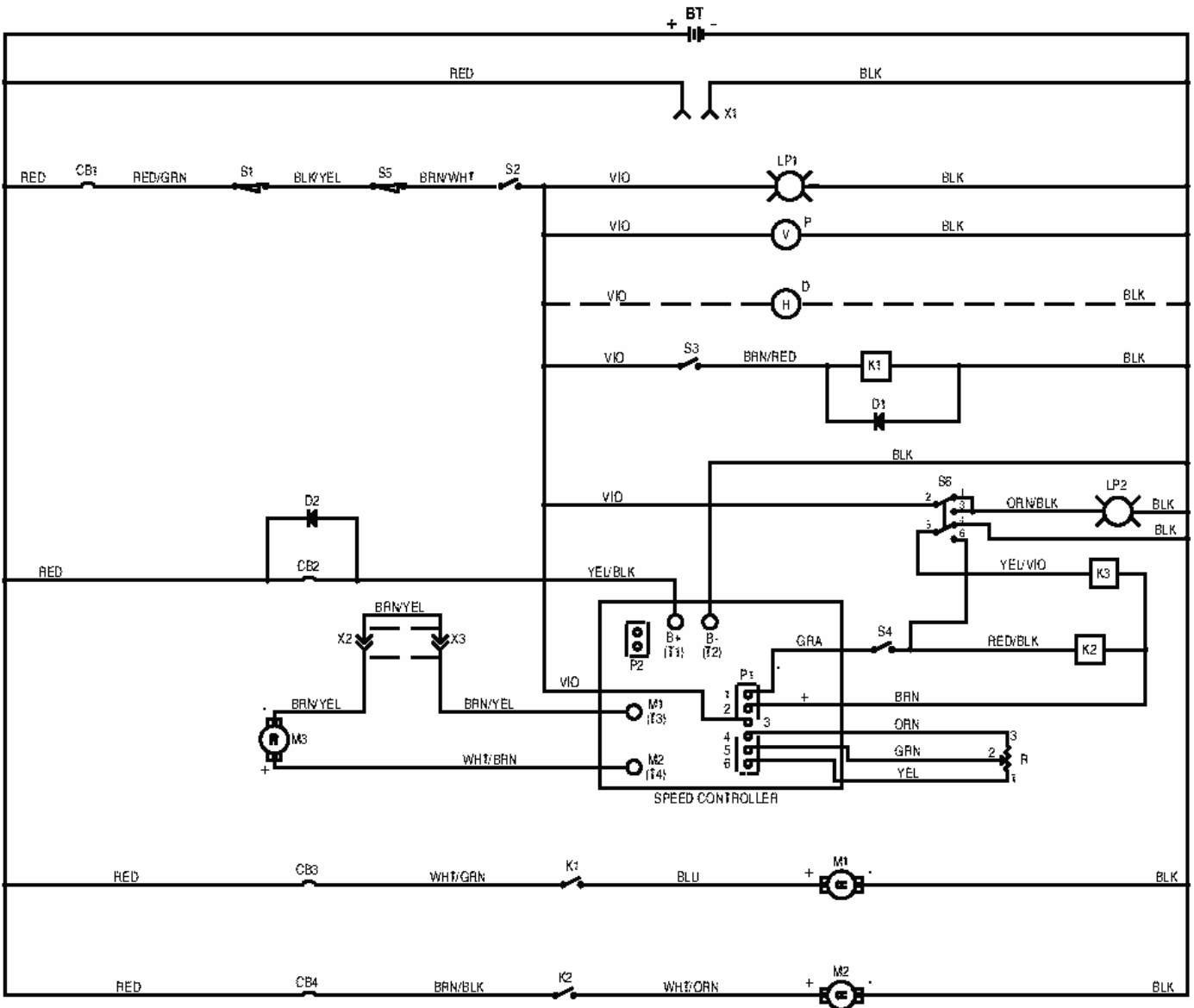
WIRING DIAGRAM-200LX / 200HD / BA 500

BA / CA 500

08-06-2011

Part List ID
E33143

52



WIRING DIAGRAM-200LX / 200HD / BA 500

BA / CA 500

08-06-2011

Part List ID
E33143

53

Pos	Part no.	Qty	Description	EAN
P	56372089	1	FUEL GAUGE BATTERY	5711144067
R	56454740	1	POTENTIOMETER 5K	5711144110
D1	56389265	1	RECTIFIER ASSY.	5711144072
K1	56468358	1	SWITCH SOLENOID 24V	5711144122
K2	56468358	1	SWITCH SOLENOID 24V	5711144122
K3	56324247	1	SOLENOID VALVE ASSY	5711144063
M1	56324189	1	VAC MOTOR ELECT.ASS	5711144063
M2	56386261	1	MOTOR CL442	5711144071
M3	56263253	1	MOTOR 24V	5711144036
S1	56462362	1	SWITCH ASSY.	5711144119
S2	56301636	1	SWITCH TOGGLE	5711144040
S3	56324362	1	SWITCH	5711144064
S4	56462362	1	SWITCH ASSY.	5711144119
S5	56324214	1	SWITCH ASSY.	
S6	56324272	1	SWITCH FOR AG 16	5711144063
X1	56100621	1	CONNECTOR HSG. 24V	5711144018
CB1	56387328	1	CIRCUIT BREAKER 5A	5711144071
CB2	56395454	1	CIRCUIT BREAKER 20A	5711144076
CB3	56395454	1	CIRCUIT BREAKER 20A	5711144076
CB4	56454423	1	CIRCUIT BREAKER 30A	5711144110
LP1	56389434	1	LIGHT INDIC. GREEN	5711144072
LP2	56324028	1	LIGHT BLUE 28V	5711144063

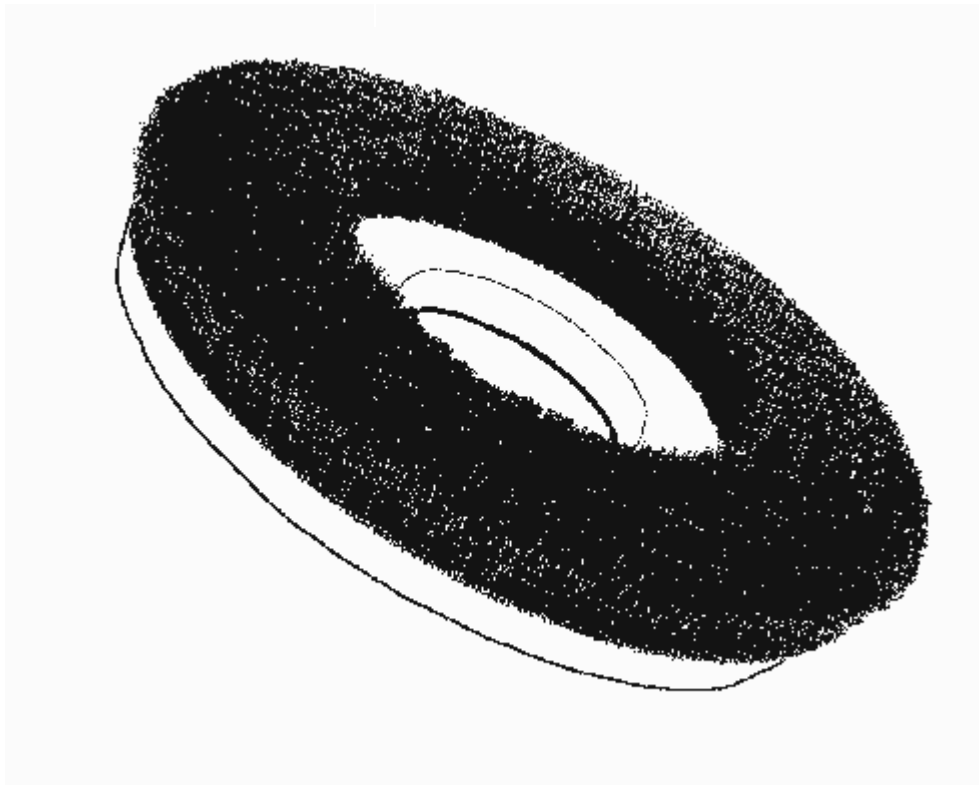
BRUSH / DISC SELECTOR GUIDE

BA / CA 500

08-06-2011

Part List ID
E33145

54



BRUSH / DISC SELECTOR GUIDE

BA / CA 500

08-06-2011

Part List ID

E33145

55

Pos	Part no.	Qty	Description	EAN
0	56505048	1	DISC BRUSH 20 DYNAGRIT CLUTCH	5711144128
0	56505057	1	BRUSH MAGNA GRIT 20"	
0	56505063	1	DISC BRUSH 20 AGLITE CLUTCH	
0	56505077	1	DISC BRUSH 20 PROLITE CLUTCH	5711144128
0	56505079	1	DISC BRUSH 20 MIDLITE CLUTCH	
0	56505083	1	DISC BRUSH 20 MIDGRIT CLUTCH	5711144128
0	56505450	1	BÜRSTE POLYROPYLEN 20'	5711144128
0	56505454	1	DISC BRUSH 20 UNION MIX CLUTCH	
0	56505455	1	PAD HOLDER 20 NP47 CLUTCH	5711144128

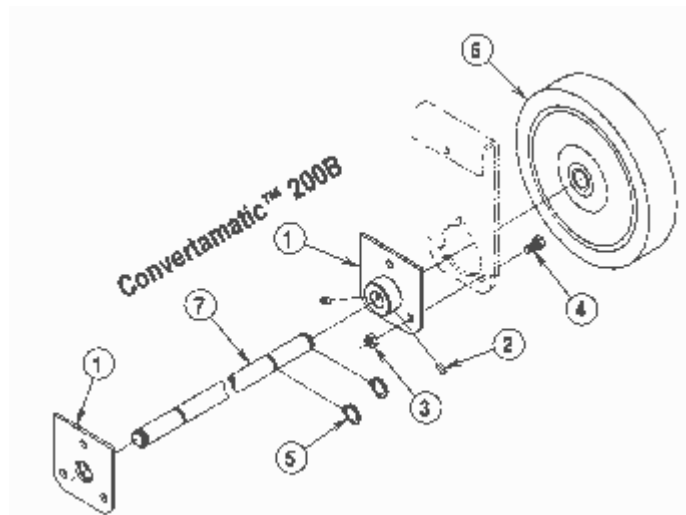
DRIVE SYSTEM 200B

BA / CA 500

08-06-2011

Part List ID
E33119B

56



DRIVE SYSTEM 200B

BA / CA 500

08-06-2011

Part List ID
E33119B

57

Pos	Part no.	Qty	Description	EAN
2	56002930	4	SCR SOC SET LOC 1/4 20 X .38	5711144003
3	56002701	6	NUT HEX NYL LOC 5/16 18	5711144002
4	56002037	6	SCR HEX 5/16 18 X .88	5711144000
5	56003257	4	RING RET EXT	5711144004
6	56377945	2	WHEEL 8.00X1.61 CR15	5711144068
7	56324231	1	SHAFT AXLE	