

# BR 850/950//1050/S-SC

Model:

BR 1050S  
BR 1050S C  
BR 1050S C EDS  
BR 1050S EDS  
BR 850S  
BR 850S C  
BR 850S C EDS  
BR 850S EDS  
BR 950S  
BR 950S C  
BR 950S C EDS  
BR 950S EDS



Part List US-English

30-05-2011

# Table of Contents

BR 850/950//1050/S-SC

<b>Chassis system - old version</b>	<b>3</b>
<b>Decal system - old version</b>	<b>5</b>
<b>Detergent injection system AXP-ECO + solution - ol</b>	<b>7</b>
<b>Drive &amp; brake assemblies - old version</b>	<b>9</b>
<b>Electrical panel assembly - old version</b>	<b>11</b>
<b>Front wheel assembly - old version</b>	<b>13</b>
<b>Recovery system - old version</b>	<b>15</b>
<b>Scrub system-cylindrical (28" &amp; 32") - old version</b>	<b>18</b>
<b>Scrub system-cylindrical (35" &amp; 38") - old version</b>	<b>21</b>
<b>Scrub system-disk (28" &amp; 32") - old version</b>	<b>25</b>
<b>Scrub system-disk (35" &amp; 38") - old version</b>	<b>29</b>
<b>Skirt assemblies-cylindrical (all models) - old ve</b>	<b>32</b>
<b>Skirt assemblies-disk (28" &amp; 32" / before Oct. 200</b>	<b>34</b>
<b>Skirt assemblies-disk (28" &amp; 32" / after Sept. 200</b>	<b>36</b>
<b>Skirt assemblies-disk (35" &amp; 38") - old version</b>	<b>38</b>
<b>Solution system standard - old version</b>	<b>40</b>
<b>Solution system AXP-EDS - old version</b>	<b>44</b>
<b>Squeegee assembly - old version</b>	<b>48</b>
<b>Top view of squeegee tool castings - old version</b>	<b>51</b>
<b>Squeegee system - old version</b>	<b>53</b>
<b>Squeegee system IN and OUT position - old version</b>	<b>55</b>
<b>Steering column assembly - old version</b>	<b>57</b>
<b>Wiring diagram before SN chart - old version</b>	<b>60</b>
<b>Wiring diagram after SN chart - old version</b>	<b>63</b>
<b>Optional kits and accessories 1 - old version</b>	<b>66</b>
<b>Optional kits and accessories 2 - old version</b>	<b>69</b>
<b>Brush selector guide-disk - old version</b>	<b>72</b>
<b>Brush selector guide-cylindrical - old version</b>	<b>74</b>
<b>56412223 - Vacuum Wand Caddy Kit with inserts A</b>	<b>76</b>
<b>56412223 - Vacuum Wand Caddy Kit without inserts A</b>	<b>78</b>
<b>56314308 - Scrub-N-Vac Tool Kit</b>	<b>80</b>
<b>1462112000 - On Board Charger kit</b>	<b>82</b>
<b>56314302 - Warning Beacon Kit, before May 2008</b>	<b>84</b>
<b>56314302 - Warning Beacon Kit, after April 2008</b>	<b>86</b>
<b>56314306 - Right side Broom Kit</b>	<b>88</b>
<b>56314313 - Headlight Kit</b>	<b>90</b>
<b>56314338 - Dual Vac Motor Kit</b>	<b>92</b>
<b>56314715 - Kit, Deck BR 850S</b>	<b>94</b>
<b>56316525 - Kit, Deck BR 850S</b>	<b>96</b>

# Table of Contents

BR 850/950//1050/S-SC

<b>56314919 - Flow Control Kit</b>	<b>98</b>
<b>56314312/56422162 - Seat Belt Kit</b>	<b>100</b>
<b>56314905 - Solution Flow Kit</b>	<b>102</b>
<b>56316186 - Dual Vac Motor Kit</b>	<b>104</b>
<b>56316186 - Dual Vac Motor Kit</b>	<b>106</b>
<b>56316186 - Dual Vac Motor Kit</b>	<b>108</b>
<b>56316186 - Dual Vac Motor Kit</b>	<b>110</b>
<b>56316637 - Drive Wheel Harness Kit</b>	<b>112</b>
<b>56390779 - Debris Tray Kit</b>	<b>114</b>
<b>56390765 - Kit, Deck BR 850S</b>	<b>116</b>
<b>56390767 - Kit, Deck BR 850S C</b>	<b>118</b>
<b>56390787 - Kit, Deck BR 1050S</b>	<b>120</b>
<b>56390786 - Kit, Deck BR 1050S C</b>	<b>122</b>



# Chassis system - old version

BR 850/950//1050/S-SC

30-05-2011

Part List ID

E13613

4

Pos	Part no.	Qty	Description	EAN
1	56001879	3	WSH FLT SAE 1/2	5711144000
2	56002084	1	NUT WING 1/4 20	5711144000
3	56002461	1	SCR HEX THD TO HD 5/16 18X4.00	5711144001
4	56002959	1	PIN COT HAIR SS.090XDIA.50/.75	5711144003
5	56003415	2	SCR HEX THD TO HDM12 1.75X35MM	5711144005
6	56003442	2	SCR HEX LOC M10 1.50X20MM	5711144005
7	56009086	1	NUT HEX JAM 5/16 18	5711144008
8	56009122	2	WSH FLT .344X.938X.125	5711144008
9	56367117	2	WSH FLT STEEL .406CV31C	5711144067
10	56367206	2	BUSHING CV32G	5711144067
11	56412122	4	TRIM EDGE	5711144091
12	56009126	1	SCR PANPHILTHD FORM 1/4 20X.75	5711144008
13	56420160	2	BEARING FLANGE E00201	5711144106
14	56316540	2	ASSEMBLY WHEEL AND BEARING	5711144061
14	56412243	4	BEARING BALL	5711144092
15	56314152	1	PIN ACTUATOR	5711144054
16	56314495	1	LINKAGE ARM WELDMENT	5711144055
17	56314537	1	SQUEEGEE STOP BRACKET	5711144055
18	56314627	1	WELDMENT CHASSIS PAINTED	5711144056
19	56477613	13	CABLE TIE E00549 RE409S	Not shown 5711144123
19	56478246	1	CABLE TIE E00549 RE438BA	5711144124

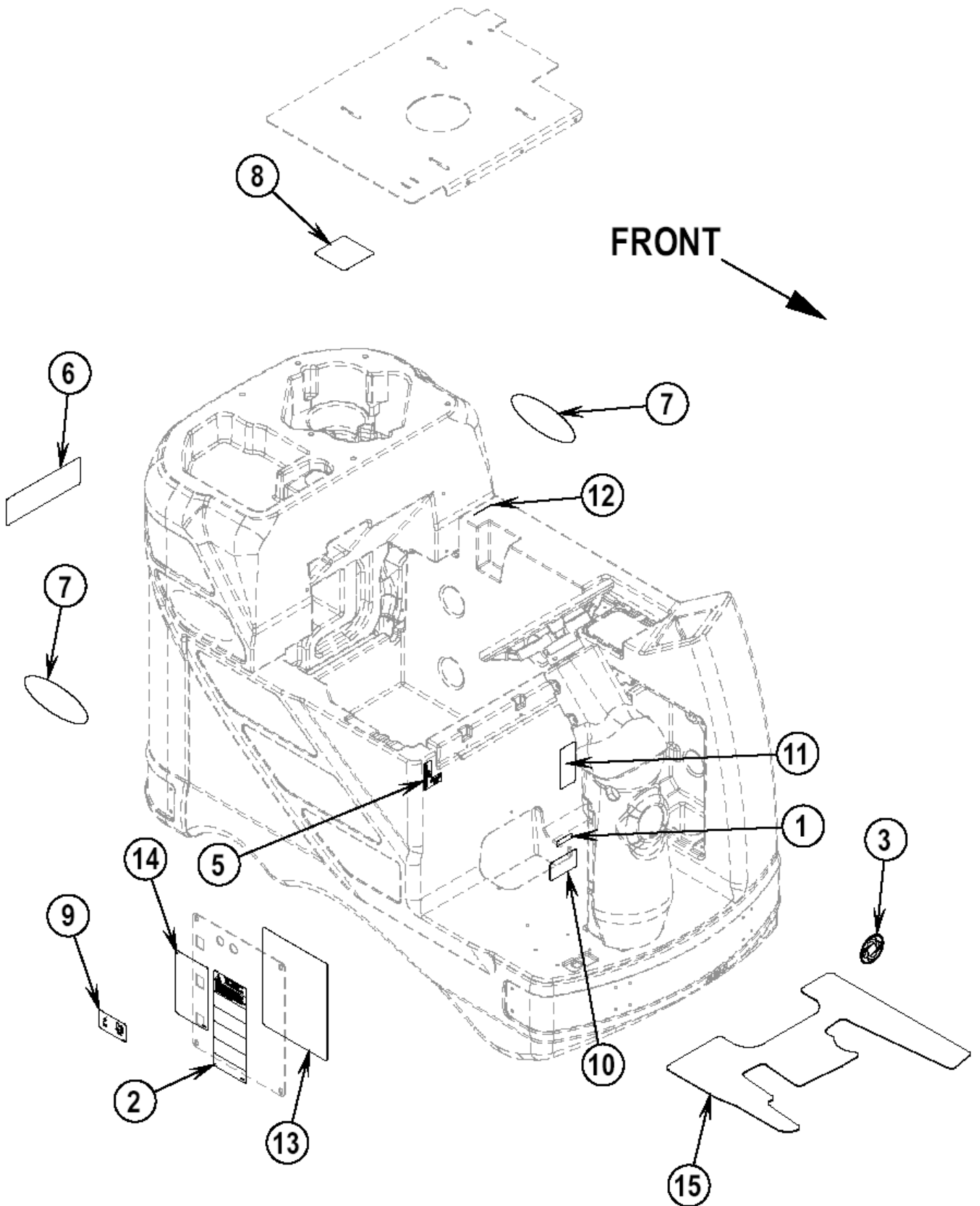
# Decal system - old version

BR 850/950//1050/S-SC

30-05-2011

Part List ID  
E13615

5



# Decal system - old version

BR 850/950//1050/S-SC

30-05-2011

Part List ID

E13615

6

Pos	Part no.	Qty	Description	EAN
1	56014450	1	DECAL PATENT	5711144009
2	56014601	1	DECAL CAUTION	5711144009
3	56016348	1	DECAL LOGO	5711144011
3	56016348	1	DECAL LOGO	5711144011
5	56015179	1	DECAL EMERGENCY	5711144009
7	56015241	2	DECAL BR850S	5711144009
7	56015243	2	DECAL NILFISK BR950S	5711144009
7	56015258	2	DECAL BR1050S	5711144009
7	56016675	2	DECAL BR850S EDS	5711144012
7	56016676	2	DECAL BR950S EDS	5711144012
7	56016676	2	DECAL BR950S EDS	5711144012
7	56016676	2	DECAL BR950S EDS	5711144012
7	56016677	2	DECAL BR1050S EDS	5711144012
8	56380513	1	DECAL BATTERY WIRING	5711144069
8	56380513	1	DECAL BATTERY WIRING	5711144069
9	56016328	1	DECAL CIRCUIT BREAKER	5711144011
10	56016401	1	DECAL PARKING BRAKE	5711144011
11	56015445	1	DECAL SOLUTION FLOW (AFTER TSBUS2004-874) (NOT USED ON EDS MODELS)	5711144010
11	56016402	1	DECAL SOLUTION FLOW (BEFORE TSBUS2004-874)	5711144011
11	56016402	1	DECAL SOLUTION FLOW (BEFORE TSBUS2004-874)	5711144011
12	56016421	1	DECAL LOGO	5711144011
12	56016421	1	DECAL LOGO	5711144011
13	56015231	1	DECAL LADDER DIAGRAM NOTE 1	5711144009
13	56015807	1	LADDER DIAGRAM NOTE 2	5711144010
14	56016455	1	DECAL ECO SOLUTION	5711144011
15	56314875	1	FLOOR MAT	5711144057

NOTE 1: Used on machines built before serial number Chart A.

NOTE 2: Used on machines built after serial number Chart A.

NOTE 1 & 2 SERIAL NUMBER CHART "A"

1863250 - BR 850

1863255 - BR 950

1863260 - BR 1050

# Detergent injection system AXP-ECO + solution - c

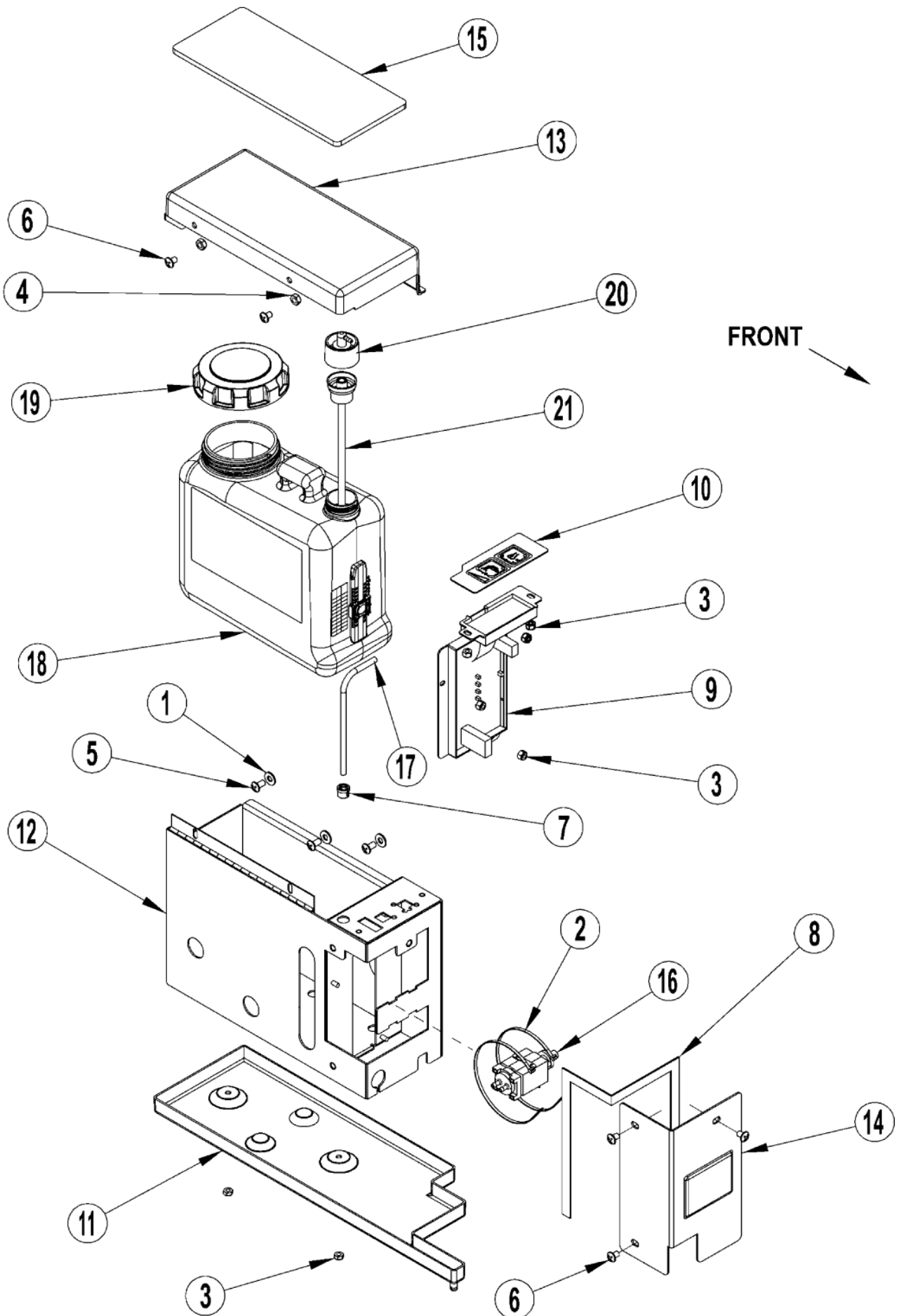
BR 850/950//1050/S-SC

30-05-2011

Part List ID

E13617

7





# Detergent injection system AXP-ECO + solution - c

BR 850/950//1050/S-SC

30-05-2011

Part List ID

E13617

8

Pos	Part no.	Qty	Description	EAN
0	56315503	1	CHEM BOTTLE ASSY AXP (18-21)OPTIONAL	5711144059
	56316537	1	DETERGENT INJECT ASSY (ITEMS 1-21) TSBUS2006-922	5711144061
1	56009025	3	WSH FLT .266X.750X.036	5711144007
2	56478523	2	CABLE TIE E00549	5711144124
3	56002832	8	NUT HEX NYL LOC THIN 10 24	5711144002
4	56002840	2	NUT HEX NYL LOC THIN 1/4 20	5711144002
5	56002145	3	SCR PAN PHIL 1/4 20 X .50	5711144001
6	56003580	5	SCR PAN PHIL SS 1/4 20X.38	5711144006
7	56003699	1	BUSHING 1/4 ID SNUB	5711144006
8	56200754	1	GASKET RS 1/16X1/2 E00252	5711144029
9	56316110	1	CONTROL ASSEMBLY TSBUS2006-922	5711144061
10	56314937	1	CONTROL DECAL ADVENGER	5711144057
11	56314939	1	TRAY DETERGENT	5711144057
12	56314944	1	WELDMENT DETERGENT BOX	5711144057
13	56314945	1	COVER DETERGENT	5711144057
14	56314946	1	COVER PUMP	5711144057
15	56314953	1	PAD DETERGENT	5711144057
16	56314984	1	PUMP DETERGENT	5711144058
17	56314991	1	HOSE CHEM RESISTANT 14	5711144058
18	56315502	1	CHEMICAL BOTTLE ASSEMBLY	5711144059
18	56315511	1	INDICATOR ASSEMBLY	5711144059
19	56315517	1	CAP	5711144059
20	56315523	1	CAP DRY BREAK 1/8 BARB	5711144059
21	56315527	1	INSERT DRY BREAK	5711144059

# Drive & brake assemblies - old version

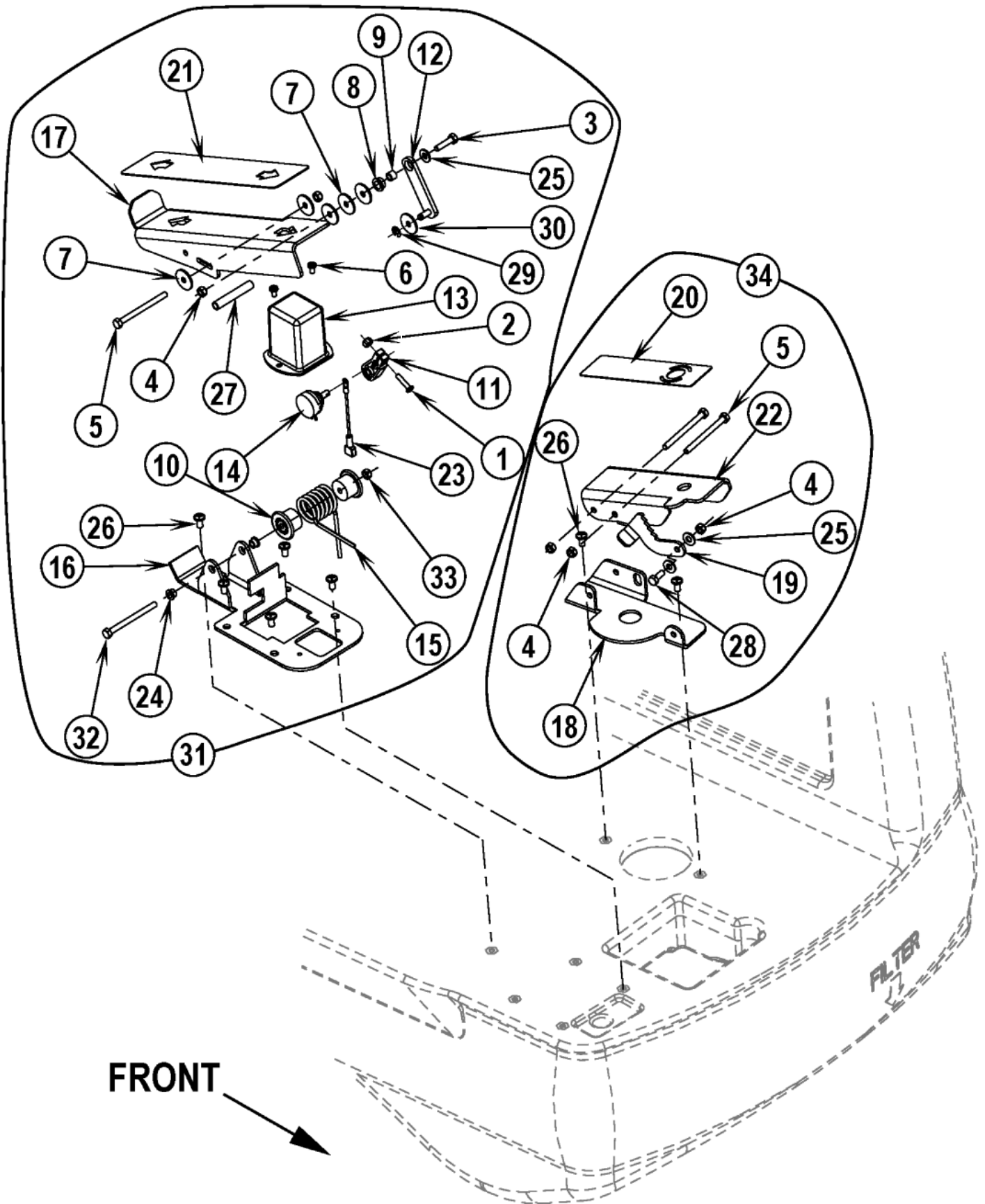
30-05-2011

Part List ID

E13619

9

BR 850/950//1050/S-SC



# Drive & brake assemblies - old version

BR 850/950//1050/S-SC

30-05-2011

Part List ID

E13619

10

Pos	Part no.	Qty	Description	EAN
1	56002733	1	002733N PHIL 10 24 X .88	5711144002
2	56002768	1	NUT HEX NYL LOC 10 24	5711144002
3	56003358	1	SCR HEX M6 X 25.0	5711144005
4	56003403	5	NUT HEX NYL LOC M6 X 1.00	5711144005
5	56003428	3	SCR HEX M6 1.00 X 75MM	5711144005
6	56009030	2	SCR PAN PHIL THD FOM 10 24X.38	5711144007
7	56009060	5	WSH FLT SS .260X1.000X.074	5711144007
8	56324505	1	BEARING FLANGE.376E00201	5711144064
9	56380440	1	BUSHING M6 X .375 X .295	5711144069
10	56380438	2	SPACER SPRING	5711144069
11	56409471	1	LEVER THROTTLE	5711144084
12	56409610	1	LINK WLDMT.	5711144085
13	56412094	1	HOUSING POTENTIOMETER	5711144091
14	56454740	1	POTENTIOMETER 5K	R1 5711144110
15	56314037	1	SPRING TORSION	5711144053
16		1	NOTE COMMENT	NOTE 1 5701715456
17		1	NOTE COMMENT	NOTE 1 5701715456
18	56314677	1	BRACKET BRAKE	TSBUS2008-1015 5711144056
19	56314122	1	LOCK BRAKE	5711144054
20	56314138	1	MAT PEDAL	5711144054
21	56314176	1	MAT PEDAL	5711144054
22	56314678	1	PEDAL WELDMENT	TSBUS2008-1015 5711144056
23	56412331	1	WIRE ASSY 14 AWG RED	5711144092
24	56756318	2	BEARING FLANGE .250 E00201	5711144144
25	56002098	4	WSH FLT SAE 1/4	5711144000
26	56003119	7	SCR PAN PHIL SS 1/4 20 X .50	5711144004
26	56003119	7	SCR PAN PHIL SS 1/4 20 X .50	5711144004
27	56380439	1	BUSHING	5711144069
28	56003174	1	SCR HEX THD/HD M6 1.0 X 16MM	5711144004
29	56003268	1	RING RET EXT TYPE E REINF	5711144004
30	56009025	1	WSH FLT .266X.750X.036	5711144007
31	56413421	1	PEDAL ASSEMBLY	5711144094
31	56413421	1	PEDAL ASSEMBLY	5711144094
32	56002603	1	SCR HEX 1/4 20 X 3.00	5711144001
33	56002708	1	NUT HEX NYL LOC 1/4 20	5711144002
34	56314676	1	BRAKE PEDAL ASSY	TSBUS2008-1015 5711144056

NOTE 1: If you need to replace either of these items please order Pedal Assembly 56413421.

# Electrical panel assembly - old version

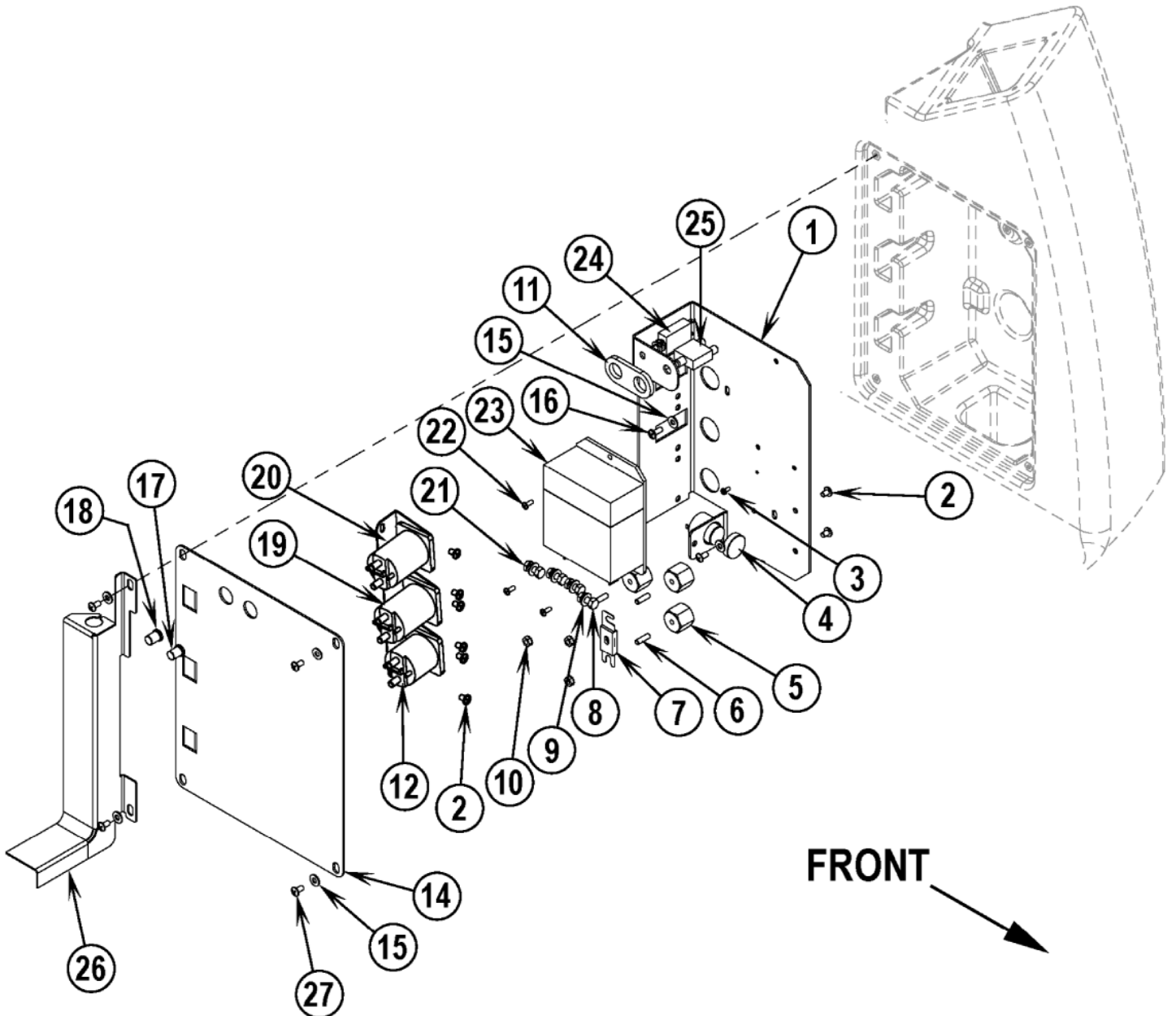
BR 850/950//1050/S-SC

30-05-2011

Part List ID

E136111

11



# Electrical panel assembly - old version

BR 850/950//1050/S-SC

30-05-2011

Part List ID

E136111

12

Pos	Part no.	Qty	Description	EAN
1	56314668	1	ELECTRICAL PANEL	5711144056
2	56002462	9	SCR PAN PHIL 1/4 20 X .38	5711144001
3	56009051	1	SCR PAN PHIL THD FORM 8 32X.38	5711144007
4	56412177	1	HORN BACKUP ALARM	H1 5711144091
5	56469858	3	INSULATED STANDOFF	5711144122
6	56009020	3	STUD 1/4 20 X .88	5711144007
7	56412089	1	FUSE 150 AMP	5711144091
8	56001862	4	SCR HEX 5/16 18 X .50	5711144000
9	56009052	4	WSH INT SHPRF 5/16	5711144007
10	56002708	3	NUT HEX NYL LOC 1/4 20	5711144002
11	56407193	1	GASKET	5711144082
12	56395455	1	CONTACTOR 36 VOLT 100 AMP	Vac Motor / K2 5711144076
14	56109534	1	COVER ELECTRICAL	Note 1 5711144021
15	56002098	6	WSH FLT SAE 1/4	5711144000
16	56003119	2	SCR PAN PHIL SS 1/4 20 X .50	5711144004
16	56003119	2	SCR PAN PHIL SS 1/4 20 X .50	5711144004
17	56459369	1	BOOT RESET BUTTON E00586	5711144115
18	56459367	1	BOOT RESET BUTTON E00585	5711144115
19	56395453	1	CONTACTOR 36 VOLT 200 AMP	Brush Drive / K1 5711144076
20	56395453	1	CONTACTOR 36 VOLT 200 AMP	Wheel Drive / K3 5711144076
21	56009086	4	NUT HEX JAM 5/16 18	5711144008
22	56001993	3	SCREW 10 24 X 0.5 ZINC PL	5711144000
23	56314667	1	CONTROLLER SPEED	5711144056
24	56387316	1	CIRCUIT BREAKER 10A	Control Circuit / F3 5711144071
25	56454429	1	CIRCUIT BREAKER 70A	Wheel Drive / F2 5711144110
26	56314956	1	WELDMENT HARNESS GUIDE	Detergent Injection models only 5711144057
27	56002989	4	SCR PAN PHIL SS 1/4 20 X .62	5711144003

NOTE 1: Electrical Cover 56314669 and Gasket 56407169 are no longer used in production and are OBSOLETE.

If you need to replace either of these items please order 56109534.

# Front wheel assembly - old version

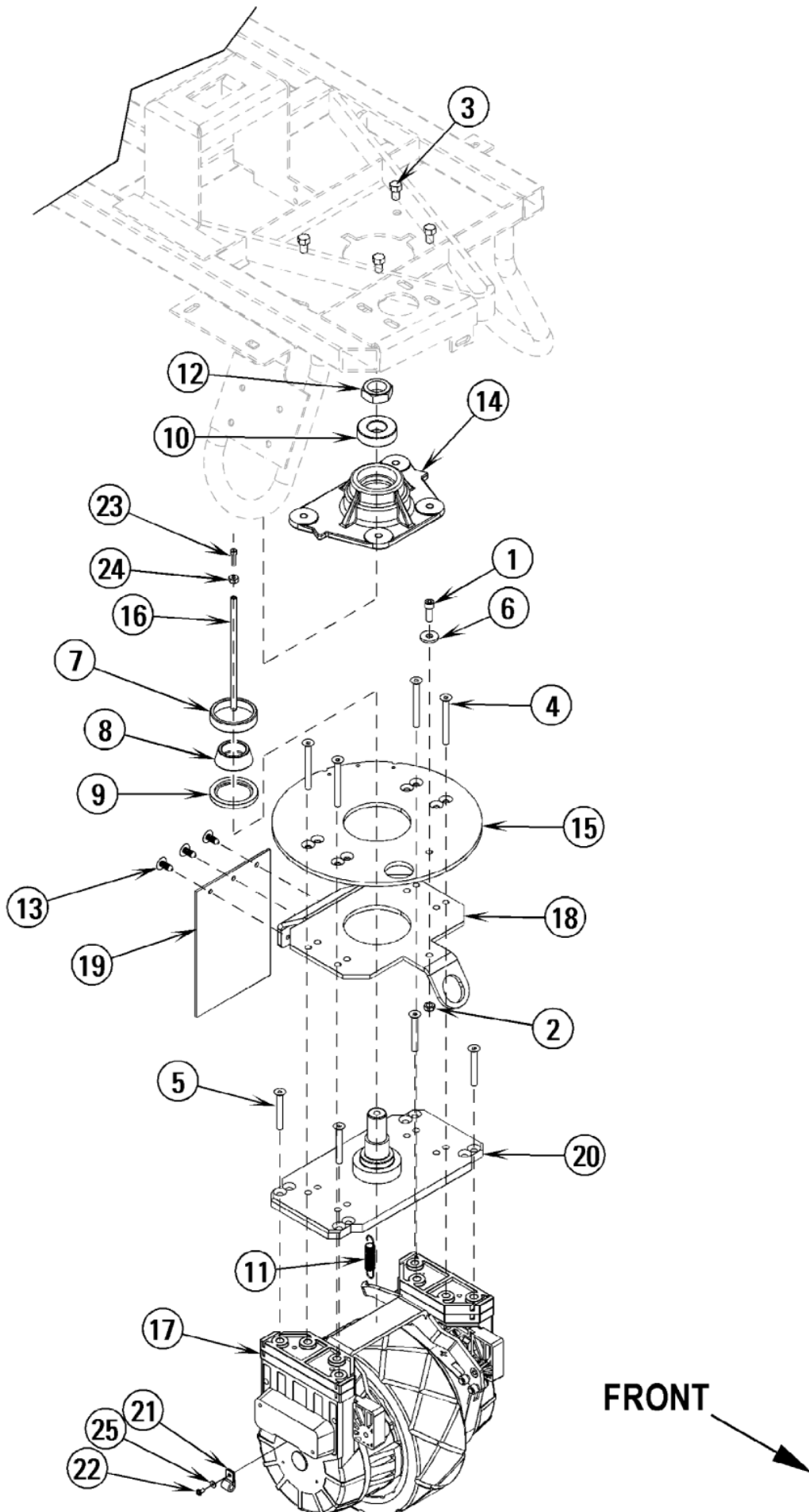
BR 850/950//1050/S-SC

30-05-2011

Part List ID

E136113

13



# Front wheel assembly - old version

BR 850/950//1050/S-SC

30-05-2011

Part List ID

E136113

14

Pos	Part no.	Qty	Description	EAN	
1	56002158	1	SCR SOC HD 5/16 18 X .88	5711144001	
2	56002826	1	NUT HEX NYL LOC THIN 5/16 18	5711144002	
3	56003040	4	SCR HEX LOC 3/8 16 X .62	5711144003	
4	56003273	4	SCR FLAT SOC M8 1.25 X 70MM	5711144005	
5	56003274	4	SCR FLAT SOC M8 1.25 X 55MM	5711144005	
6	56009122	1	WSH FLT .344X.938X.125	5711144008	
7	56158143	1	BEARING TR CP 2.44 E00135	5711144028	
8	56158151	1	BEARING TR CN 1.250V51Y E00134	5711144028	
9	56171081	1	SEAL SHAFT 1.750 PE202S 1	5711144028	
10	56378380	1	BEARING BALL .9843 CR25D	5711144068	
11	56481699	1	SPRING	5711144124	
12	56003220	1	NUT HEX NYL THIN 1 14 UNF	5711144004	
13	56003263	3	RIVET NYLON TREE PUSH IN.25	5711144004	
14	56314032	1	BLOCK BEARING	5711144053	
15	56314116	1	PLATE STEERING	5711144054	
16	56314157	1	ROD BRAKE	5711144054	
17	56109589	1	CONNECTION BOX	Not shown	5711144021
17	56109590	1	COVER CONNECTION BOX	Not shown	5711144021
17	56314282	1	BRAKE BAR WELDMENT	Not shown	5711144054
17	56314289	1	BRAKE BAND	Not shown	5711144054
17	56314681	1	DRIVE WHEEL P7 250 X 90	Not shown	5711144056
17	56316637	1	KIT DRIVE WHEEL HARNESS	Not shown	5711144061
17	56380506	1	KIT MOTOR/DRIVE WHEEL ASSY	TSBUS2008-1015 - Not shown	5711144069
17	56390817	1	MOTOR DRIVE WHEEL	(M3) TSBUS2008-1015	5711144072
17	56412320	1	BRUSH COVER KIT x4	Not shown	5711144092
17	56412321	1	SEALING RING	Not shown	5711144092
17	56412322	1	BALL BEARING GEARBOX SIDE	Not shown	5711144092
17	56412323	1	BALL BEARING BRUSH SIDE	Not shown	5711144092
17	56412325	1	BRUSH KIT	Not shown	5711144092
18	56314278	1	PLATE SPLASH GUARD		5711144054
19	56314283	1	SPLASH GUARD		5711144054
20	56314085	1	WELDMENT SPINDLE	TSBUS2005-913	5711144053
21	56305317	1	CLAMP P		5711144047
22	56003653	1	SCR PAN PHIL M4 0.7 X 8MM		5711144006
23	56003611	1	SCR PAN PHIL SS 10 24 X .88		5711144006
24	56009293	1	NUT HEX MACHINE SS 10 24		5711144009
25	56002006	1	WSH FLT SAE 6		5711144000

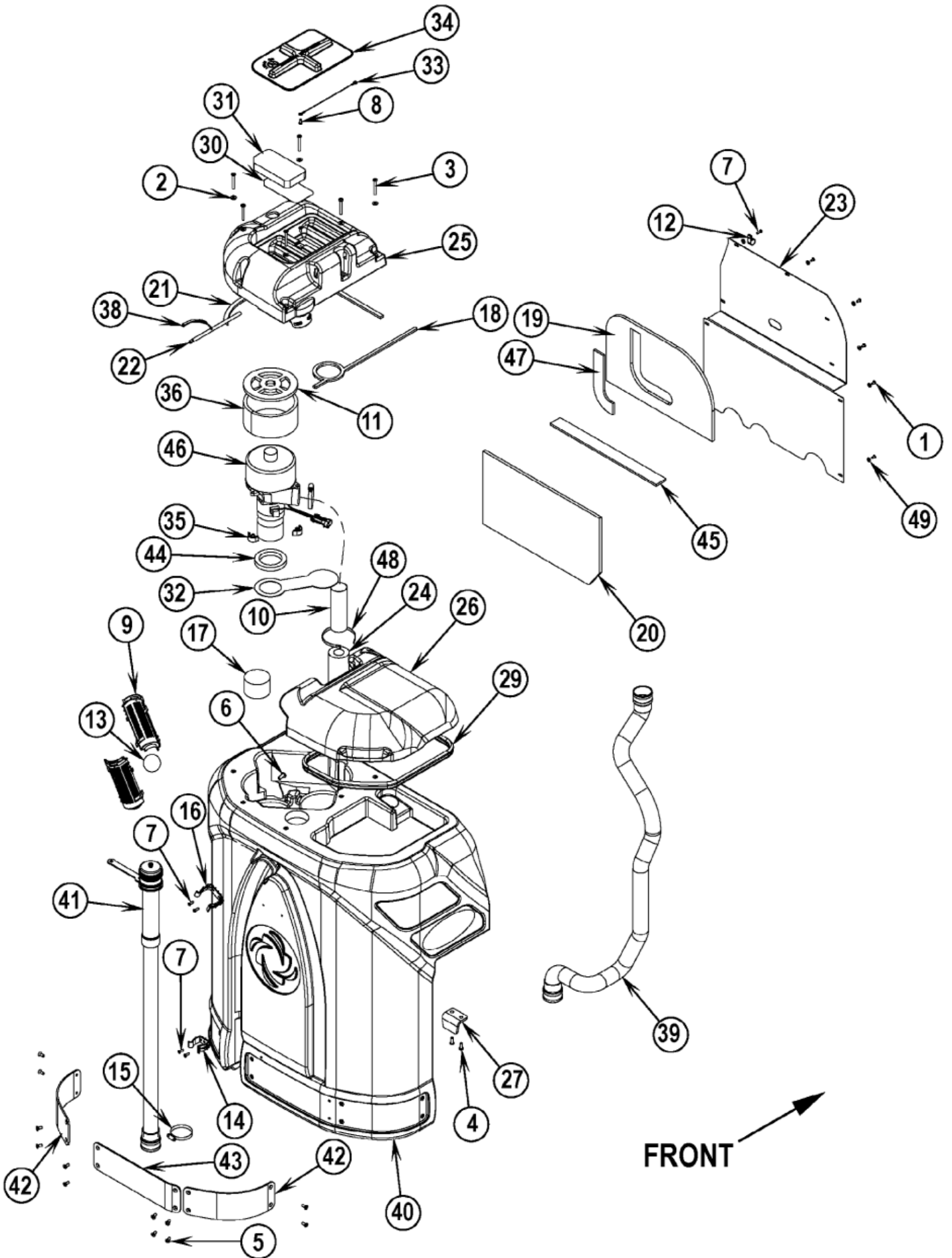
# Recovery system - old version

BR 850/950//1050/S-SC

30-05-2011

Part List ID  
E136115

15





# Recovery system - old version

BR 850/950//1050/S-SC

30-05-2011

Part List ID

E136115

16

Pos	Part no.	Qty	Description	EAN
1	56002043	8	SCR PAN PHIL 10 24 X .38	5711144000
2	56002098	7	WSH FLT SAE 1/4	5711144000
3	56002108	6	SCR PAN PHIL 1/4 20 X 2.00	5711144000
4	56002507	4	SCR PAN PHIL 1/4 20 X .75	5711144001
5	56002711	12	SCR FLT PHIL 1/4 20 X .88	5711144002
6	56002793	1	SCR PAN PHIL 5/16 18 X .75	5711144002
7	56002896	5	SCR PAN PHIL SS 10 24 X .62	5711144003
8	56009191	2	SCR PAN PHIL PLASTITE10 14X.50	5711144008
9	56324497	2	FLOAT CAGE	5711144064
10	56458457	1	HOSE 2 X 6 E00191	5711144114
11	56314704	1	GASKET	5711144056
12	56385564	1	CLAMP CABLE .625 E00129	5711144071
13	56391690	1	BALL FLOAT	5711144073
14	56407361	1	CLAMP PLASTIC	5711144082
15	56440213	3	CLAMP HOSE SAE 32E00047	5711144107
16	56212236	1	CLAMP PLASTIC	5711144033
17	56314098	2	FOAM CYLINDER	5711144053
18	56314099	1	GASKET	5711144053
19	56314100	1	MUFFLER TOP PANEL	5711144053
20	56314101	1	MUFFLER BOTTOM PANEL	5711144054
21	56314103	1	GASKET	5711144054
21	56314103	1	GASKET	5711144054
22	56314115	1	PIN COVER PIVOT	5711144054
23	56314749	1	COVER EXHAUST	5711144056
24	56391807	1	FOAM ACCOUSTICAL	5711144073
25	56314201	1	COVER VAC MOTOR	5711144054
26	56314203	1	LID RECOVERY TANK	5711144054
27	56314220	2	BRACKET TANK MOUNT	5711144054
28	56314251	1	HARNES VACUUM	5711144054
29	56314371	1	GASKET	5711144055
30	56314372	1	SCREEN FILTER	5711144055
31	56314373	1	FILTER	5711144055
32	56314376	1	PLATE SEPARATOR	5711144055
33	56314400	1	WIRE ROPE 9 INCH	5711144055
34	56109539	1	LID VAC FILTER ASSY	5711144021
35	56314484	3	MOUNT VIBRATION	5711144055
36	56314488	1	MUFFLER VAC	5711144055
38	56314509	1	SPRING	5711144055
39	56314533	1	VAC HOSE ASSY. 1.50	5711144055
40	56390832	1	RECOVERY TANK ASSY	5711144072
41	56601401	1	DRAIN HOSE	TSBUS2008-985 5711144142
41	56601410	1	DRAIN HOSE EXTENSION	Not shown 5711144142

# Recovery system - old version

BR 850/950//1050/S-SC

30-05-2011

Part List ID

E136115

17

Pos	Part no.	Qty	Description		EAN
41	56601410	1	DRAIN HOSE EXTENSION	Not shown	5711144142
41	56601411	1	DRAIN HOSE CAP KIT	Not shown	5711144142
41	56601411	1	DRAIN HOSE CAP KIT	Not shown	5711144142
42	56314639	2	BUMPER REAR CORNER		5711144056
43	56314656	1	BUMPER REAR MIDDLE		5711144056
44	56314760	1	GASKET VACUUM DUCT		5711144056
45	56314706	1	FOAM SOUND		5711144056
46	56212223	1	CARBON BRUSH SET	Not shown	5711144033
46	56410065	1	VAC MOTOR ASSY	M5	5711144086
47	56314705	1	FOAM SOUND		5711144056
48	56477613	1	CABLE TIE E00549 RE409S		5711144123
49	56001954	9	WSH FLT SAE 10		5711144000

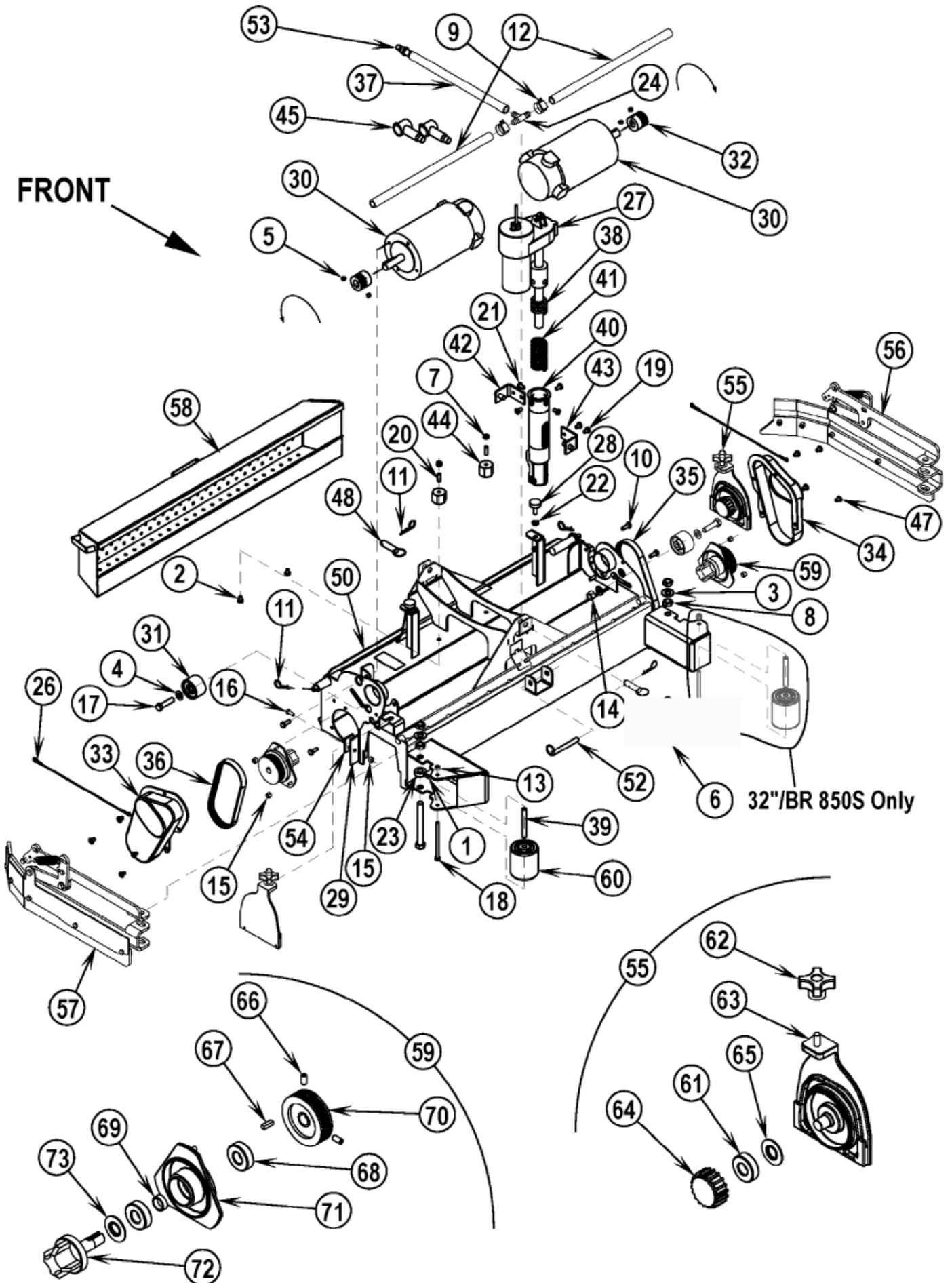
# Scrub system-cylindrical (28" & 32") - old version

BR 850/950//1050/S-SC

30-05-2011

Part List ID  
E136117

18



# Scrub system-cylindrical (28" & 32") - old version

BR 850/950//1050/S-SC

30-05-2011

Part List ID

E136117

19

Pos	Part no.	Qty	Description	EAN
1	56001841	2	SCR SOC SET LOC 1/4 20 X .25	5711144000
2	56001861	2	SCR HEX 1/4 20 X .38	5711144000
3	56001879	2	WSH FLT SAE 1/2	5711144000
4	56002063	4	WSH FLT SAE 3/8	5711144000
5	56002086	4	SCR SOC SET LOC 5/16 18 X .25	5711144000
6	56002484	2	SCR HEX 1/2 13 X 4.50	5711144001
7	56002708	2	NUT HEX NYL LOC 1/4 20	5711144002
8	56002843	4	NUT HEX NYL LOC THIN 1/2 13	5711144002
9	56112771	2	CLAMP HOSE SAE 10 E00047	5711144028
10	56002948	6	SCR HEX HP LOC 1/4 20 X 0.75	5711144003
11	56002959	4	PIN COT HAIR SS.090XDIA.50/.75	5711144003
12	56316552	2	MANIFOLD PVC 32 ADVENGER	5711144061
12	56316553	2	MANIFOLD PVC 28 ADVENGER	5711144061
13	56003403	2	NUT HEX NYL LOC M6 X 1.00	5711144005
14	56003406	2	NUT HEX NYL LOC M10 X 1.50	5711144005
15	56003426	8	NUT HEX NYL LOC SS M6	5711144005
16	56003431	2	SCR HEX SS M6 1.00X16MM	5711144005
17	56003491	2	SCR HEX M10 1.50X 40MM	5711144006
18	56003492	2	SCR HEX M6 1.0 X 100MM	5711144006
19	56009019	2	SCR HEX THD FORM 1/4 20X .38	5711144007
20	56009020	2	STUD 1/4 20 X .88	5711144007
21	56009126	4	SCR PANPHILTHD FORM 1/4 20X.75	5711144008
22	56009086	4	NUT HEX JAM 5/16 18	5711144008
23	56152811	2	COLLAR PC9A	5711144028
24	56262549	1	TEE E00455	5711144036
26	56330391	2	WIRE ROPE ASSY 12.0	5711144065
27	56388520	1	NUT PLASTIC	Not shown
27	56393303	1	ACTUATOR	M1
28	56401783	2	LEVELER TANK CR630G	5711144081
29	56407391	2	BLADE DECK GUM	5711144082
30	56407431	2	MOTOR 36VDC .75HP	M7 and M8
30	56407489	1	ARMATURE	5711144083
30	56407492	1	BRUSH CAP ASSY	Not shown
30	56407493	2	BRUSH ASSY sold individually	Not shown
30	56407494	2	BRUSH COVER CAP	Not shown
30	56410183	1	BEARING F.E.	Not shown
31	56407432	2	IDLER BELT	5711144083
32	56407433	2	SHEAVE POLY V	5711144083
33	56407434	1	GUARD RIGHT BELT	5711144083
34	56407435	1	GUARD LEFT BELT	5711144083
35	56407465	1	BELT POLY V 180J6	5711144083

NOTE: See "BRUSH SELECTOR GUIDE" at back of manual for available scrub brushes.

NOTE 2: See "SKIRT ASSEMBLIES-CYLINDRICAL".

# Scrub system-cylindrical (28" & 32") - old version

BR 850/950//1050/S-SC

30-05-2011

Part List ID

E136117

20

Pos	Part no.	Qty	Description	EAN
36	56407466	1	BELT POLY V 190J6	5711144083
37	56409462	1	HOSE .50 X 12.0 E00604	5711144084
38	56412071	1	COMPRESSION SPRING	5711144091
39	56412176	2	BUSHING	5711144091
40	56412262	1	HOUSING SPRING	5711144092
41	56420018	1	SPRING COMPRESSION	5711144105
42	56420019	1	NUT RETAINER WLMT.	5711144105
43	56420020	1	NUT RETAINER WLMT.	5711144105
44	56469858	2	INSULATED STANDOFF	5711144122
45	56493357	2	INSULATOR TERMINAL	5711144126
47	56003603	8	SCR PAN PHILTHDFORM 1/4 20X.38	5711144006
48	56003671	2	PIN RING .50 X 1.25	5711144006
49		1	NOTE COMMENT	5701715456
			Accessory plate, data plate - not available	
50	56316571	1	HOUSING WELDMENT 32	5711144061
			TSBUS2005-899	
51	56314254	1	HARNESS BRUSH MOTOR	5711144054
			Not shown	
52	56314294	1	PIN COTTERLESS .375 X 3.00	5711144054
53	56314310	1	COUPLING QUICK DISC. MALE	5711144054
			only before TSBUS2005-888	
54	56314436	2	STRAP	5711144055
55	56314445	2	IDLER END ASSEMBLY	5711144055
			61-65	
55	56314445	2	IDLER END ASSEMBLY	5711144055
			61-65	
56	56314648	1	LEFT SKIRT ASSEMBLY	5711144056
			NOTE 2	
56	56314648	1	LEFT SKIRT ASSEMBLY	5711144056
			NOTE 2	
57	56314649	1	RIGHT SKIRT ASSEMBLY	5711144056
			NOTE 2	
57	56314649	1	RIGHT SKIRT ASSEMBLY	5711144056
			NOTE 2	
58	56397443	1	HOPPER WELDT 32	5711144080
			BR 850S	
59	56407559	2	DRIVE END ASSY	5711144083
			66-73	
59	56407559	2	DRIVE END ASSY	5711144083
			66-73	
60	56412459	2	WHEEL	5711144093
61	56106070	1	BEARING BALL Z22	5711144019
62	56407303	1	KNOB	5711144082
63	56315447	1	IDLER BEARING PLATE	5711144059
64	56407551	1	HUB	5711144083
65	56407558	1	WASHER BEARING	5711144083
66	56002119	2	SCR SOC SET LOC 1/4 20 X .50	5711144000
67	56003237	1	KEY SQ .19 X .62	5711144004
68	56106070	2	BEARING BALL Z22	5711144019
69	56407389	1	SPACER	5711144082
70	56407442	1	SHEAVE POLY V	5711144083
71	56315405	1	BEARING PLATE	5711144059
72	56109527	1	SPINDLE	5711144021
73	56407558	1	WASHER BEARING	5711144083

NOTE: See "BRUSH SELECTOR GUIDE" at back of manual for available scrub brushes.

NOTE 2: See "SKIRT ASSEMBLIES-CYLINDRICAL".

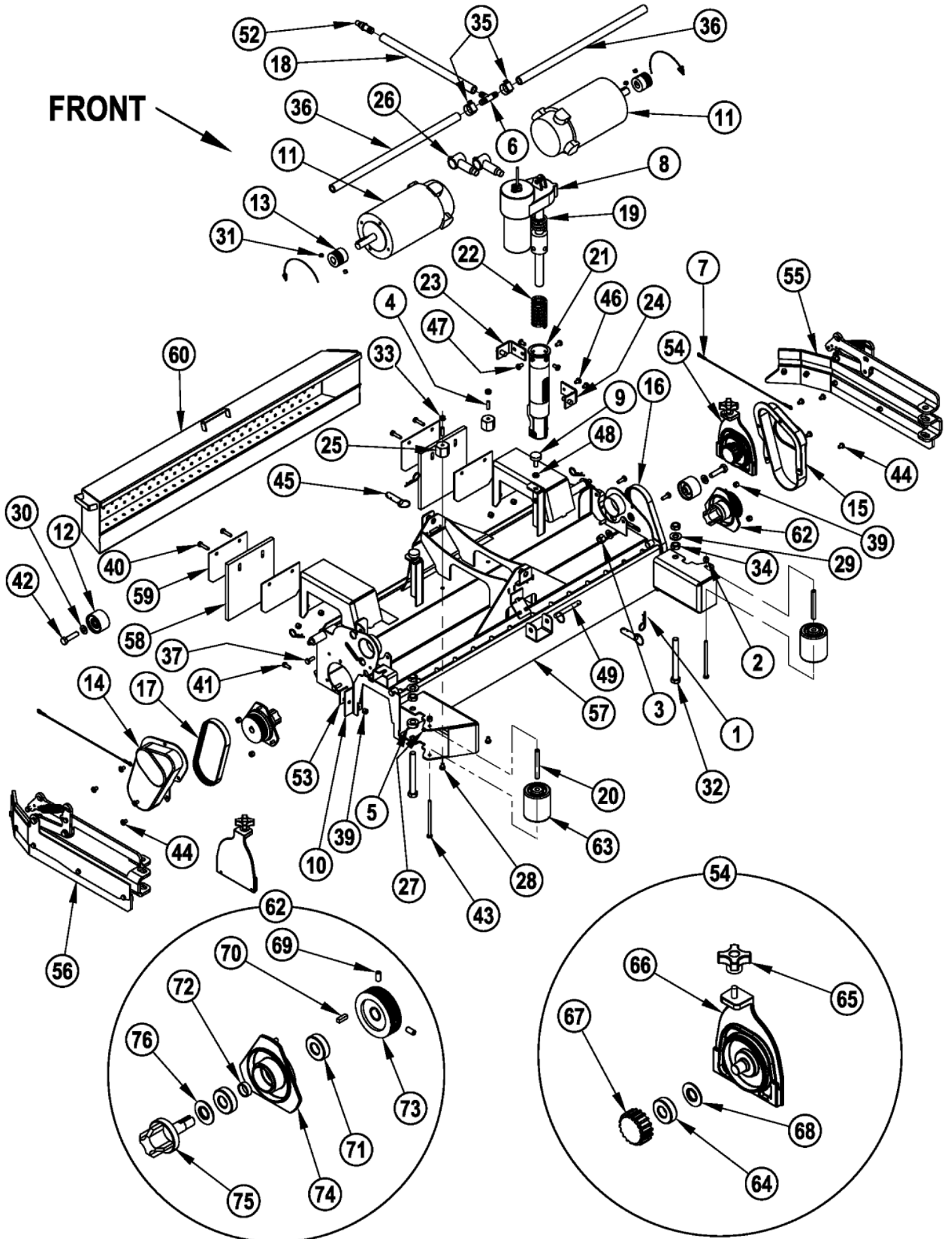
# Scrub system-cylindrical (35" & 38") - old version

BR 850/950//1050/S-SC

30-05-2011

Part List ID  
E136119

21



# Scrub system-cylindrical (35" & 38") - old version

BR 850/950//1050/S-SC

30-05-2011

Part List ID  
E136119

22

Pos	Part no.	Qty	Description	EAN
1	56002959	4	PIN COT HAIR SS.090XDIA.50/.75	5711144003
2	56003403	2	NUT HEX NYL LOC M6 X 1.00	5711144005
3	56003406	2	NUT HEX NYL LOC M10 X 1.50	5711144005
4	56009020	2	STUD 1/4 20 X .88	5711144007
5	56152811	2	COLLAR PC9A	5711144028
6	56262549	1	TEE E00455	5711144036
7	56330391	2	WIRE ROPE ASSY 12.0	5711144065
8	56388520	1	NUT PLASTIC	Not shown 5711144071
8	56393303	1	ACTUATOR	M1 5711144075
9	56401783	2	LEVELER TANK CR630G	5711144081
10	56407391	2	BLADE DECK GUM	5711144082
11	56407431	2	MOTOR 36VDC .75HP	M7 and M8 5711144082
11	56407489	1	ARMATURE	Not shown 5711144083
11	56407492	1	BRUSH CAP ASSY	Not shown 5711144083
11	56407493	4	BRUSH ASSY sold individually	Not shown 5711144083
11	56407494	4	BRUSH COVER CAP	Not shown 5711144083
12	56407432	2	IDLER BELT	5711144083
13	56407433	2	SHEAVE POLY V	5711144083
14	56407434	1	GUARD RIGHT BELT	5711144083
15	56407435	1	GUARD LEFT BELT	5711144083
16	56407465	1	BELT POLY V 180J6	5711144083
17	56407466	1	BELT POLY V 190J6	5711144083
18	56409462	1	HOSE .50 X 12.0 E00604	5711144084
19	56412071	1	COMPRESSION SPRING	5711144091
20	56412176	2	BUSHING	5711144091
21	56412262	1	HOUSING SPRING	5711144092
22	56420018	1	SPRING COMPRESSION	5711144105
23	56420019	1	NUT RETAINER WLMT.	5711144105
24	56420020	1	NUT RETAINER WLMT.	5711144105
25	56469858	2	INSULATED STANDOFF	5711144122
26	56493357	2	INSULATOR TERMINAL	5711144126
27	56001841	2	SCR SOC SET LOC 1/4 20 X .25	5711144000
28	56001861	2	SCR HEX 1/4 20 X .38	5711144000
29	56001879	2	WSH FLT SAE 1/2	5711144000
30	56002063	4	WSH FLT SAE 3/8	5711144000
31	56002086	4	SCR SOC SET LOC 5/16 18 X .25	5711144000
32	56002484	2	SCR HEX 1/2 13 X 4.50	5711144001
33	56002708	2	NUT HEX NYL LOC 1/4 20	5711144002
34	56002843	4	NUT HEX NYL LOC THIN 1/2 13	5711144002
35	56112771	2	CLAMP HOSE SAE 10 E00047	5711144028

NOTE: See "BRUSH SELECTOR GUIDE" at back of manual for available scrub brushes.

NOTE 2: Deck Blade Kits include two (item 58) Blades and two blades for use in Skirt Assemblies (items 55 & 56).

NOTE 3: See "SKIRT ASSEMBLIES-CYLINDRICAL".

# Scrub system-cylindrical (35" & 38") - old version

BR 850/950//1050/S-SC

30-05-2011

Part List ID

E136119

23

Pos	Part no.	Qty	Description	EAN
36	56316550	2	MANIFOLD PVC 38 ADGRESSOR	5711144061
36	56316551	2	MANIFOLD PVC 35 ADGRESSOR	5711144061
37	56002948	6	SCR HEX HP LOC 1/4 20 X 0.75	5711144003
39	56003426	12	NUT HEX NYL LOC SS M6	5711144005
40	56003430	4	SCR HEX SS M6 1.00X25MM	5711144005
41	56003431	2	SCR HEX SS M6 1.00X16MM	5711144005
42	56003491	2	SCR HEX M10 1.50X 40MM	5711144006
43	56003492	2	SCR HEX M6 1.0 X 100MM	5711144006
44	56003603	8	SCR PAN PHILTHDFORM 1/4 20X.38	5711144006
45	56003671	2	PIN RING .50 X 1.25	5711144006
46	56009019	2	SCR HEX THD FORM 1/4 20X .38	5711144007
47	56009126	4	SCR PANPHILTHD FORM 1/4 20X.75	5711144008
48	56009086	4	NUT HEX JAM 5/16 18	5711144008
49		1	NOTE COMMENT	5701715456
			Accessory plate, data plate - not available	
50	56314254	1	HARNESS BRUSH MOTOR	5711144054
			Not Shown	
51	56314294	1	PIN COTTERLESS .375 X 3.00	5711144054
52	56314310	1	COUPLING QUICK DISC. MALE	5711144054
			only before TSBUS2005-888	
53	56314436	2	STRAP	5711144055
54	56314445	2	IDLER END ASSEMBLY	5711144055
			64-68	
54	56314445	2	IDLER END ASSEMBLY	5711144055
			64-68	
55	56314648	1	LEFT SKIRT ASSEMBLY	5711144056
			NOTE 3	
55	56314648	1	LEFT SKIRT ASSEMBLY	5711144056
			NOTE 3	
56	56314649	1	RIGHT SKIRT ASSEMBLY	5711144056
			NOTE 3	
56	56314649	1	RIGHT SKIRT ASSEMBLY	5711144056
			NOTE 3	
57	56316572	1	HOUSING WELDMENT 35	5711144061
			BR 950S	
57	56316572	1	HOUSING WELDMENT 35	5711144061
			BR 950S	
57	56316573	1	HOUSING WELDMENT 38	5711144061
			BR 1050S	
58	56314860	1	BLADE KIT CYL RED GUM	5711144057
			NOTE 2	
58	56314861	1	KIT DECK BLADE CYL. NEOPRENE	5711144057
			NOTE 2	
59	56314867	4	STRAP	5711144057
60	56314869	1	HOPPER WELDMENT 38	5711144057
			BR 1050S	
60	56314870	1	HOPPER WELDMENT 35	5711144057
			BR 950S	
62	56407559	2	DRIVE END ASSY	5711144083
			69-76	
62	56407559	2	DRIVE END ASSY	5711144083
			69-76	
63	56412459	2	WHEEL	5711144093
64	56106070	1	BEARING BALL Z22	5711144019
65	56407303	1	KNOB	5711144082
66	56315447	1	IDLER BEARING PLATE	5711144059
67	56407551	1	HUB	5711144083
68	56407558	1	WASHER BEARING	5711144083

NOTE: See "BRUSH SELECTOR GUIDE" at back of manual for available scrub brushes.

NOTE 2: Deck Blade Kits include two (item 58) Blades and two blades for use in Skirt Assemblies (items 55 & 56).

NOTE 3: See "SKIRT ASSEMBLIES-CYLINDRICAL".



# Scrub system-cylindrical (35" & 38") - old version

BR 850/950//1050/S-SC

30-05-2011

Part List ID

E136119

24

Pos	Part no.	Qty	Description	EAN
69	56002119	2	SCR SOC SET LOC 1/4 20 X .50	5711144000
70	56003237	1	KEY SQ .19 X .62	5711144004
71	56106070	2	BEARING BALL Z22	5711144019
72	56407389	1	SPACER	5711144082
73	56407442	1	SHEAVE POLY V	5711144083
74	56315405	1	BEARING PLATE	5711144059
75	56109527	1	SPINDLE	5711144021
76	56407558	1	WASHER BEARING	5711144083

NOTE: See "BRUSH SELECTOR GUIDE" at back of manual for available scrub brushes.

NOTE 2: Deck Blade Kits include two (item 58) Blades and two blades for use in Skirt Assemblies (items 55 & 56).

NOTE 3: See "SKIRT ASSEMBLIES-CYLINDRICAL".

# Scrub system-disk (28" & 32") - old version

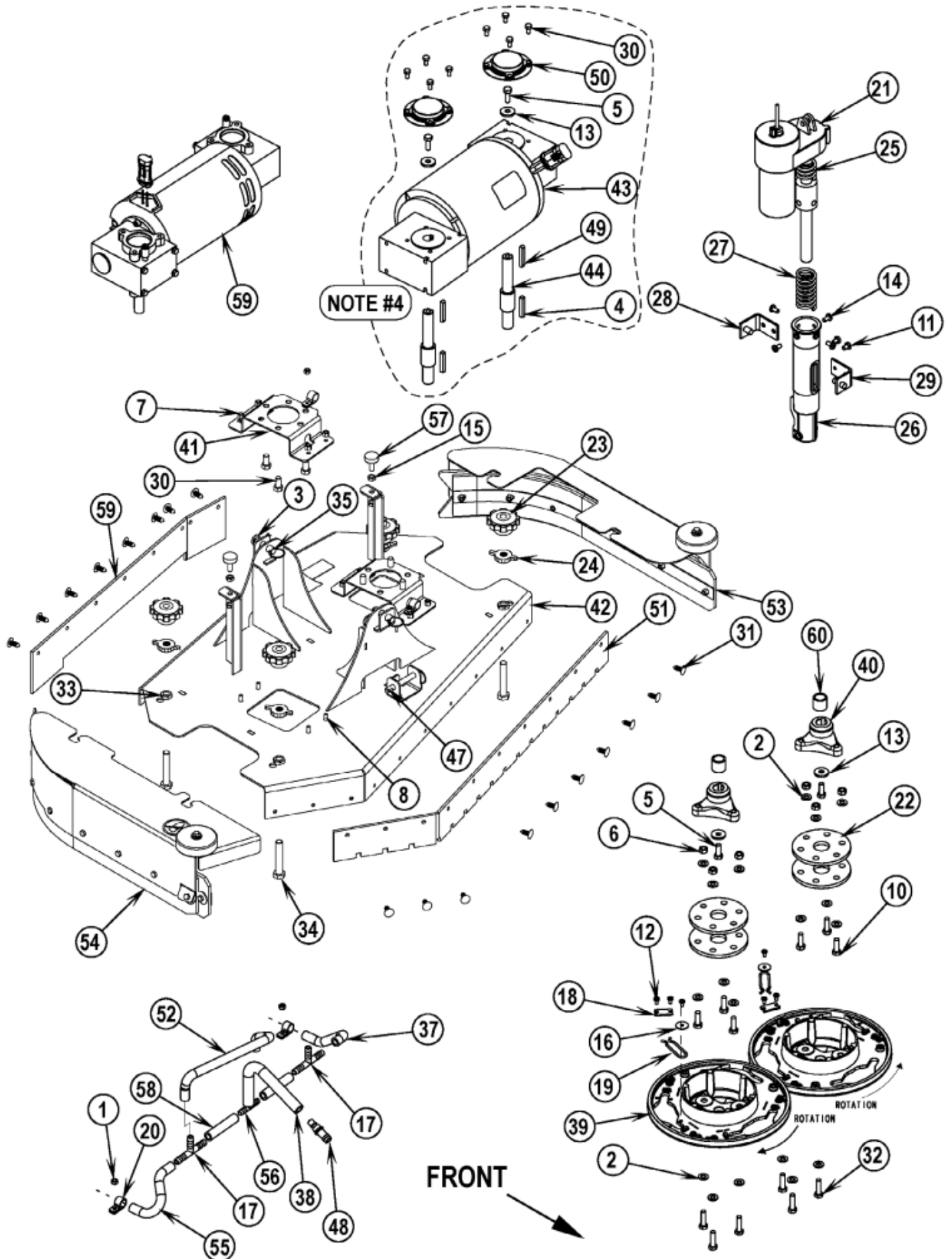
BR 850/950//1050/S-SC

30-05-2011

Part List ID

E136121

25



# Scrub system-disk (28" & 32") - old version

BR 850/950//1050/S-SC

30-05-2011

Part List ID

E136121

26

Pos	Part no.	Qty	Description		EAN
1	56002768	2	NUT HEX NYL LOC 10 24		5711144002
2	56002938	18	WSH FLT SAE SS 5/16		5711144003
3	56002959	4	PIN COT HAIR SS.090XDIA.50/.75		5711144003
4	56003246	2	KEY SQ .25 X 1.62	NOTE 4	5711144004
4	56315721	1	BLADE KIT DISC RED GUM SD	NOTE 3 - optional	5711144060
4	56315722	1	BLADE KIT DISC GUM SIDE	NOTE 3 - optional	5711144060
5	56003335	4	SCR HEX LOC SS 5/16 18 X .88	qty of 2 after NOTE 3	5711144005
6	56003405	6	NUT HEX NYL LOC SS M8X1.25		5711144005
7	56003426	8	NUT HEX NYL LOC SS M6		5711144005
8	56003431	8	SCR HEX SS M6 1.00X16MM		5711144005
A	56314127	1	KIT GUM RUBBER 32 DISC	NOTE 2	5711144054
A	56314173	1	KIT NEOPRENE 32 DISC	NOTE 2	5711144054
A	56314398	1	KIT LINATEX 32 DISC	NOTE 2	5711144055
A	56315723	1	BLADE KIT DISC RED GUM SD	NOTE 5	5711144060
A	56315724	1	BLADE KIT DISC GUM SIDE	NOTE 5	5711144060
A	56315724	1	BLADE KIT DISC GUM SIDE	NOTE 5	5711144060
B	56314914	1	BLADE KIT DISC GUM 32	NOTE 2	5711144057
B	56314918	1	KIT LINATEX 32 DISK		5711144057
B	56315721	1	BLADE KIT DISC RED GUM SD	NOTE 5	5711144060
B	56315722	1	BLADE KIT DISC GUM SIDE	NOTE 5	5711144060
10	56003477	6	SCR HX NYLOC SS M8 1.25 X 25MM		5711144005
11	56009019	2	SCR HEX THD FORM 1/4 20X .38		5711144007
12	56009030	6	SCR PAN PHIL THD FOM 10 24X.38		5711144007
13	56009057	4	WSH FLT HDN .344X1.0X.120/.13	qty of 2 after NOTE 3	5711144007
14	56009126	4	SCR PANPHILTHD FORM 1/4 20X.75		5711144008
15	56009086	4	NUT HEX JAM 5/16 18		5711144008
16	56009096	2	WSH FLT .193X.875X.060		5711144008
17	56249280	2	TEE BARB 3/8X3/8 E00455		5711144034
18	56366455	2	PLATE CV24B		5711144066
19	56366463	2	SPRING RETAINER CV24C		5711144066
20	56385564	2	CLAMP CABLE .625 E00129		5711144071
21	56388520	1	NUT PLASTIC	Not shown	5711144071
21	56393303	1	ACTUATOR	M1	5711144075
22	56407053	4	THERMOID DISC		5711144081
23	666666	4	NOTE COMMENT	TSBUS2007-963	5701715456

NOTE 1: See: BRUSH SELECTOR GUIDE - at back of manual for available scrub brushes.

NOTE 2: These Disk Deck Blade Kits include the mounting fasteners (Rivet, Nylon Tree Push-In 56003263 item 31), the two blades (items 51 & 59) and two blades for use in Skirt Assemblies (items 53 & 54).

NOTE 3: Only used after serial number 1931775.

NOTE 4: Only used before serial number 1931776.

NOTE 5: These Disk Deck Blade Kits include just the blades for use in the two Skirt Assemblies.

NOTE 6: See: SKIRT ASSEMBLIES-DISK (BR 850S BEFORE TSBUS2004-884).

NOTE 7: See: SKIRT ASSEMBLIES-DISK (BR 850S AFTER TSBUS2004-884).

POS. A: Disk Deck Blade Kits (Before TSBUS2004-884)

POS. B: Disk Deck Blade Kits (After TSBUS2004-884)

# Scrub system-disk (28" & 32") - old version

BR 850/950//1050/S-SC

30-05-2011

Part List ID

E136121

27

Pos	Part no.	Qty	Description		EAN
24	56407334	4	KNOB		5711144082
25	56412071	1	COMPRESSION SPRING		5711144091
26	56412262	1	HOUSING SPRING		5711144092
27	56420018	1	SPRING COMPRESSION		5711144105
28	56420019	1	NUT RETAINER WLMT.		5711144105
29	56420020	1	NUT RETAINER WLMT.		5711144105
30	56002885	6	SCR HEX SS 3/8 16 X .75		5711144003
30	56003211	16	SCR HEX HD SS M6 1.0 X 12MM	NOTE 4	5711144004
31	56003263	18	RIVET NYLON TREE PUSH IN.25	NOTE 3	5711144004
32	56003639	6	SCR HEX SS M8 1.25 X 30MM		5711144006
33	56003657	4	NUT HEX JAM M12 1.75		5711144006
34	56003658	4	SCR THD TO HD SS M12 1.75X70MM		5711144006
35	56003671	2	PIN RING .50 X 1.25		5711144006
37	56249682	1	TUBE E00603		5711144034
38	56262180	1	HOSE SPIRAL .50 x 7 E00604		5711144036
39	56314030	2	BRUSH HOLDER		5711144053
40	56314108	2	HUB DRIVE	NOTE 3	5711144054
41	56314053	2	BRACKET MOTOR	NOTE 4	5711144053
41	56314053	2	BRACKET MOTOR	NOTE 4	5711144053
41	56315701	2	BRACKET MOTOR	NOTE 3	5711144060
42	56314090	1	WELDMENT DISC DECK 32	BR 850S	5711144053
43	56314335	1	MOTOR GEARBOX ASSY 32	NOTE 4	5711144055
43	56314359	2	KEY 6MM SQUARE	Not shown	5711144055
43	56314499	2	COVER GEARBOX	Not shown	5711144055
43	56314560	2	MOTOVARIO GEARBOX	Not shown	5711144056
43	56314580	1	BALL BEARING OUTPUT SIDE	Not shown	5711144056
43	56314582	1	BRUSH RING	Not shown	5711144056
43	56314583	4	BRUSH	Not shown	5711144056
43	56314584	1	MOTOR GEARBOX ASSEMBLY 24 IN		5711144150
43	56412323	1	BALL BEARING BRUSH SIDE	Not shown	5711144092
44	56314218	2	SHAFT HUB MOUNT	NOTE 4	5711144054
47	56314294	1	PIN COTTERLESS .375 X 3.00		5711144054
48	56314310	1	COUPLING QUICK DISC. MALE	only before TSBUS2005-888	5711144054
49	56314359	2	KEY 6MM SQUARE	NOTE 4	5711144055
50	56314499	2	COVER GEARBOX		5711144055

NOTE 1: See: BRUSH SELECTOR GUIDE - at back of manual for available scrub brushes.

NOTE 2: These Disk Deck Blade Kits include the mounting fasteners (Rivet, Nylon Tree Push-In 56003263 item 31), the two blades (items 51 & 59) and two blades for use in Skirt Assemblies (items 53 & 54).

NOTE 3: Only used after serial number 1931775.

NOTE 4: Only used before serial number 1931776.

NOTE 5: These Disk Deck Blade Kits include just the blades for use in the two Skirt Assemblies.

NOTE 6: See: SKIRT ASSEMBLIES-DISK (BR 850S BEFORE TSBUS2004-884).

NOTE 7: See: SKIRT ASSEMBLIES-DISK (BR 850S AFTER TSBUS2004-884).

POS. A: Disk Deck Blade Kits (Before TSBUS2004-884)

POS. B: Disk Deck Blade Kits (After TSBUS2004-884)

# Scrub system-disk (28" & 32") - old version

BR 850/950//1050/S-SC

30-05-2011

Part List ID

E136121

28

Pos	Part no.	Qty	Description	EAN
51		1	NOTE COMMENT	5701715456
			See Disk Deck Blade Kits Pos. A + B	
52	56412189	1	HOSE SPIRAL 3/8 E00603	5711144091
53	56314898	1	SKIRT ASSEMBLY LEFT 32LINATEX	5711144057
			after TSBUS2004-884 - NOTE 7	
53	56314898	1	SKIRT ASSEMBLY LEFT 32LINATEX	5711144057
			after TSBUS2004-884 - NOTE 7	
53		1	NOTE COMMENT	5701715456
			before TSBUS2004-884 - NOTE 6 - not available	
54	56314896	1	SKIRT ASSEMBLY RIGHT LINATEX	5711144057
			after TSBUS2004-884 - NOTE 7	
54		1	NOTE COMMENT	5701715456
			before TSBUS2004-884 - NOTE 6 - not available	
55	56392277	1	TUBE VINYL E00603	5711144074
56	56397300	1	TEE BARB	5711144080
57	56401783	2	LEVELER TANK CR630G	5711144081
58	56412187	2	SOLUTION TUBE E00603	5711144091
59	56315704	1	GEARBOX ASSEMBLY	5711144060
			M7 - NOTE 3	
59	56315711	2	GEARBOX	5711144060
			Not shown	
60	56315705	2	SPACER	5711144060
			NOTE 3	
61		1	NOTE COMMENT	5701715456
			See Disk Deck Blade Kits Pos. A + B	

NOTE 1: See: BRUSH SELECTOR GUIDE - at back of manual for available scrub brushes.

NOTE 2: These Disk Deck Blade Kits include the mounting fasteners (Rivet, Nylon Tree Push-In 56003263 item 31), the two blades (items 51 & 59) and two blades for use in Skirt Assemblies (items 53 & 54).

NOTE 3: Only used after serial number 1931775.

NOTE 4: Only used before serial number 1931776.

NOTE 5: These Disk Deck Blade Kits include just the blades for use in the two Skirt Assemblies.

NOTE 6: See: SKIRT ASSEMBLIES-DISK (BR 850S BEFORE TSBUS2004-884).

NOTE 7: See: SKIRT ASSEMBLIES-DISK (BR 850S AFTER TSBUS2004-884).

POS. A: Disk Deck Blade Kits (Before TSBUS2004-884)

POS. B: Disk Deck Blade Kits (After TSBUS2004-884)

# Scrub system-disk (35" & 38") - old version

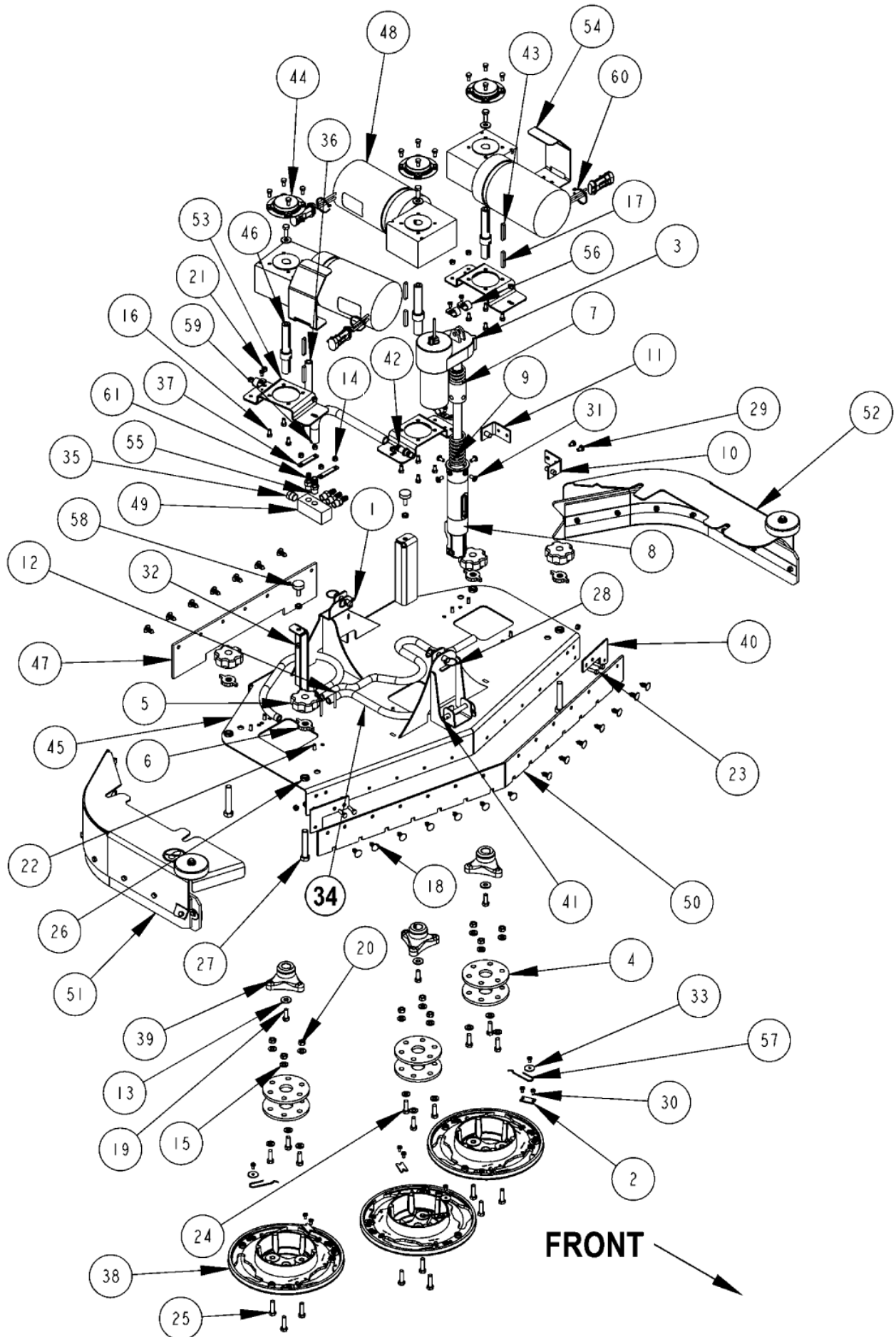
BR 850/950//1050/S-SC

30-05-2011

Part List ID

E136123

29



# Scrub system-disk (35" & 38") - old version

BR 850/950//1050/S-SC

30-05-2011

Part List ID

E136123

30

Pos	Part no.	Qty	Description	EAN
1	56002959	2	PIN COT HAIR SS.090XDIA.50/.75	5711144003
2	56366455	3	PLATE CV24B	5711144066
3	56388520	1	NUT PLASTIC Not shown	5711144071
3	56393303	1	ACTUATOR M1	5711144075
4	56407053	6	THERMOID DISC	5711144081
5	56380149	1	KNOB M12 1.75 THRU	5711144154
5	56380149	1	KNOB M12 1.75 THRU	5711144154
6	56407334	4	KNOB	5711144082
7	56412071	1	COMPRESSION SPRING	5711144091
8	56412262	1	HOUSING SPRING	5711144092
9	56420018	1	SPRING COMPRESSION	5711144105
A	56314846	1	BLADE KIT DISC RED GUM 35 NOTE 2	5711144057
A	56314847	1	BLADE KIT DISC NEO 35 NOTE 2	5711144057
A	56315720	1	BLADE KIT DISC RED GUM SD NOTE 3	5711144060
B	56314848	1	BLADE KIT DISC RED GUM 38 NOTE 2	5711144057
B	56314849	1	BLADE KIT DISC NEO 38 NOTE 2	5711144057
B	56315720	1	BLADE KIT DISC RED GUM SD NOTE 3	5711144060
10	56420019	1	NUT RETAINER WLMT.	5711144105
11	56420020	1	NUT RETAINER WLMT.	5711144105
12	56002020	4	SCR PAN PHIL 10 24 X 1.75	5711144000
13	56002220	6	WSH FLT STD 5/16	5711144001
14	56002768	4	NUT HEX NYL LOC 10 24	5711144002
15	56002938	18	WSH FLT SAE SS 5/16	5711144003
16	56003211	24	SCR HEX HD SS M6 1.0 X 12MM	5711144004
17	56003246	3	KEY SQ .25 X 1.62	5711144004
18	56003263	21	RIVET NYLON TREE PUSH IN.25	5711144004
19	56003335	6	SCR HEX LOC SS 5/16 18 X .88	5711144005
20	56003405	9	NUT HEX NYL LOC SS M8X1.25	5711144005
21	56003426	13	NUT HEX NYL LOC SS M6	5711144005
22	56003431	9	SCR HEX SS M6 1.00X16MM	5711144005
23	56003443	4	PHIL PAN M6 1.00X20MM BR1050S	5711144005
24	56003477	9	SCR HX NYLOC SS M8 1.25 X 25MM	5711144005
25	56003639	9	SCR HEX SS M8 1.25 X 30MM	5711144006
26	56003657	4	NUT HEX JAM M12 1.75	5711144006
27	56003658	4	SCR THD TO HD SS M12 1.75X70MM	5711144006
28	56003671	2	PIN RING .50 X 1.25	5711144006
29	56009019	2	SCR HEX THD FORM 1/4 20X .38	5711144007
30	56009030	13	SCR PAN PHIL THD FOM 10 24X.38	5711144007

NOTE 1: See "BRUSH SELECTOR GUIDE" at back of manual for available scrub brushes.

NOTE 2: These Disk Deck Blade Kits include the mounting fasteners (Rivet, Nylon Tree Push-In 56003263 item 18), the two blades (items 47 & 50) and two blades for use in Skirt assemblies (items 51 & 52).

NOTE 3: These Disk Deck Blade Kits include just the blades for use in the two Skirt Assemblies.

NOTE 4: See "SKIRT ASSEMBLIES-DISK (BR 950S, 1050S)".

Pos. A: BR 950S Disk Deck Blade Kit

Pos. B: BR 1050S Disk Deck Blade Kits

# Scrub system-disk (35" & 38") - old version

BR 850/950//1050/S-SC

30-05-2011

Part List ID

E136123

31

Pos	Part no.	Qty	Description	EAN
31	56009126	4	SCR PANPHILTHD FORM 1/4 20X.75	5711144008
32	56009086	4	NUT HEX JAM 5/16 18	5711144008
33	56009096	3	WSH FLT .193X.875X.060	5711144008
34	56391771	3	HOSE E00603	5711144073
35	56261421	1	PLUG PIPE E00040	5711144035
36	56302015	1	HOSE PVC 4.0 E00603	5711144040
37	56304601	2	PLATE	5711144044
38	56314030	3	BRUSH HOLDER	5711144053
39	56314108	3	HUB DRIVE	5711144054
40	56314261	2	SKIRT BRACKET FORWARD	BR 1050S 5711144054
41	56314294	1	PIN COTTERLESS .375 X 3.00	5711144054
42	56314310	1	COUPLING QUICK DISC. MALE	only before TSBUS2005-888 5711144054
43	56314359	3	KEY 6MM SQUARE	5711144055
44	56314499	3	COVER GEARBOX	5711144055
45	56314683	1	DECK WELDMENT	5711144056
46	56314687	3	SHAFT HUB MOUNT	5711144056
48	56314784	1	MOTOR REPLACEMENT 36V 450W	Not shown 5711144056
48	56314785	1	GEARBOX REPLACEMENT	Not shown 5711144056
48	56314786	1	KIT CARBON BRUSH REPLACEMENT	1 lit per motor - not shown 5711144056
48	56314789	3	MOTOR/BRUSH DRIVE ASSY	M7, M8, M10 5711144057
49	56314790	1	MANIFOLD SOLUTION	5711144057
50		1	NOTE COMMENT	See Disk blade Kits pos. A and B 5701715456
51	56314820	1	SKIRT ASSEMBLY RIGHT	NOTE 4 5711144057
51	56314820	1	SKIRT ASSEMBLY RIGHT	NOTE 4 5711144057
52	56314821	1	SKIRT ASSEMBLY LEFT	NOTE 4 5711144057
53	56314868	3	BRACKET MOTOR	5711144057
54	56314902	2	BRACKET MOTOR GUARD	5711144057
55	56373456	1	BARB 1/2X1/4 BR SP E00039	5711144067
56	56385564	4	CLAMP CABLE .625 E00129	5711144071
57	56397081	3	SPRING RETAINER	5711144079
58	56401783	2	LEVELER TANK CR630G	5711144081
59	56409462	1	HOSE .50 X 12.0 E00604	5711144084
60	56478246	3	CABLE TIE E00549 RE438BA	5711144124
61	56900034	4	ADAPTER BARB E00039	5711144145

NOTE 1: See "BRUSH SELECTOR GUIDE" at back of manual for available scrub brushes.

NOTE 2: These Disk Deck Blade Kits include the mounting fasteners (Rivet, Nylon Tree Push-In 56003263 item 18), the two blades (items 47 & 50) and two blades for use in Skirt assemblies (items 51 & 52).

NOTE 3: These Disk Deck Blade Kits include just the blades for use in the two Skirt Assemblies.

NOTE 4: See "SKIRT ASSEMBLIES-DISK (BR 950S, 1050S)".

Pos. A: BR 950S Disk Deck Blade Kit

Pos. B: BR 1050S Disk Deck Blade Kits



# Skirt assemblies-cylindrical (all models) - old ve

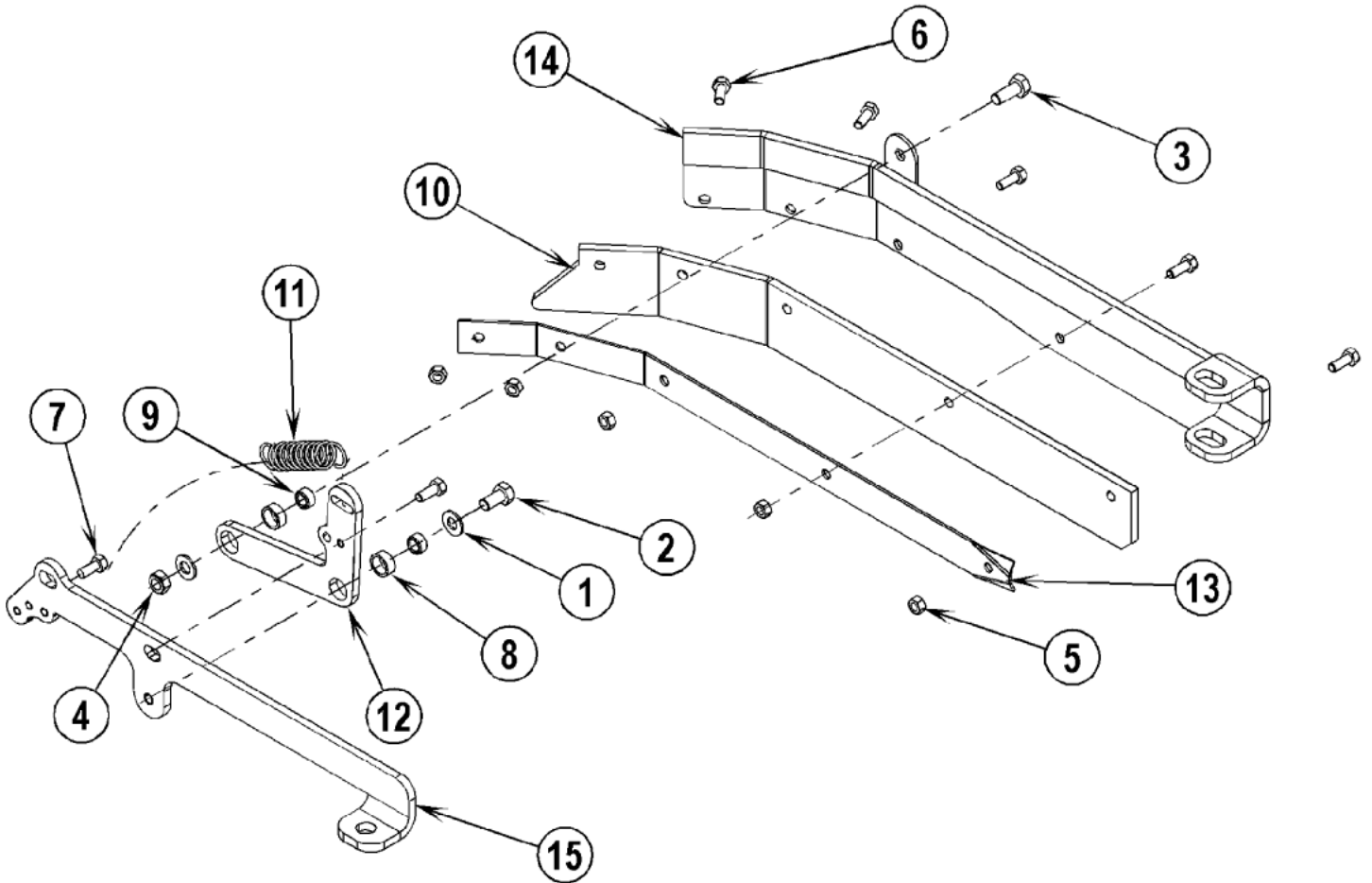
BR 850/950//1050/S-SC

30-05-2011

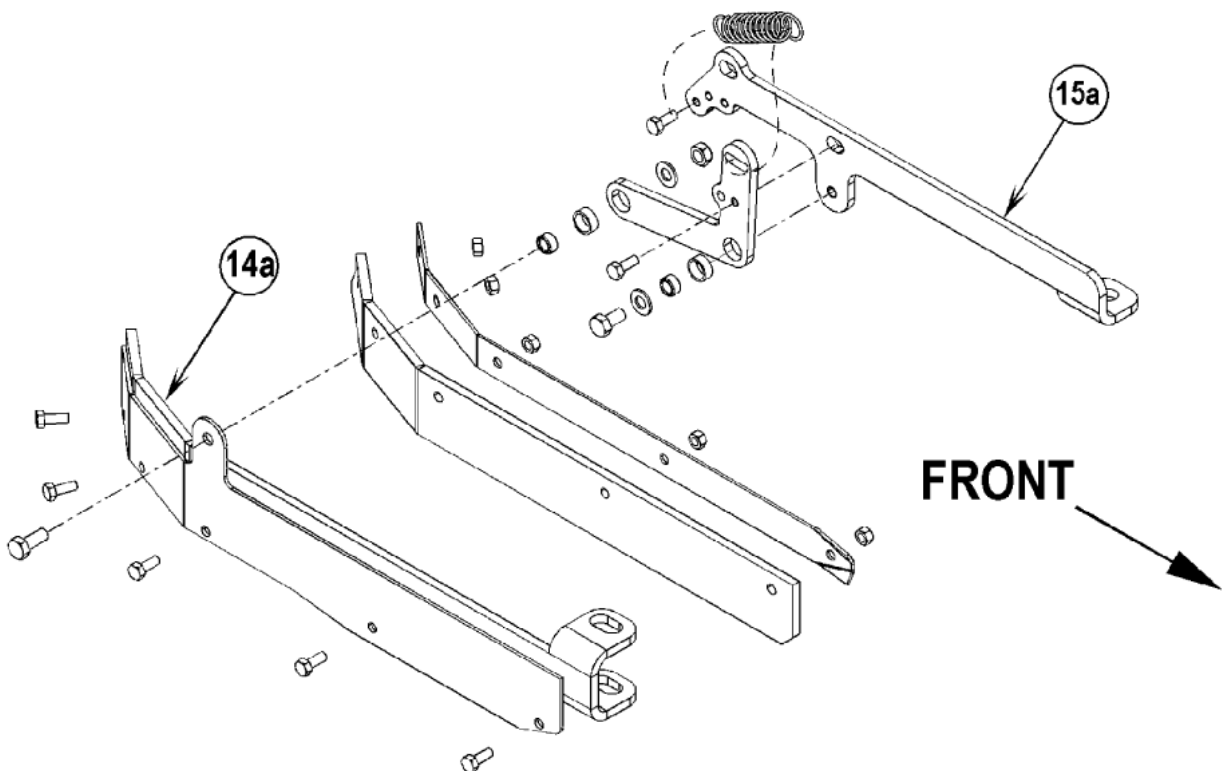
Part List ID  
E136125

32

## 56314648-LEFT SKIRT ASSEMBLY



## 56314649-RIGHT SKIRT ASSEMBLY



# Skirt assemblies-cylindrical (all models) - old ve

BR 850/950//1050/S-SC

30-05-2011

Part List ID

E136125

33

Pos	Part no.	Qty	Description	EAN
	56314648	1	LEFT SKIRT ASSEMBLY	5711144056
	56314648	1	LEFT SKIRT ASSEMBLY	5711144056
	56314649	1	RIGHT SKIRT ASSEMBLY	5711144056
	56314649	1	RIGHT SKIRT ASSEMBLY	5711144056
1	56001939	2	WSH FLT SAE 5/16	5711144000
2	56003178	1	SCR HEX THD TO HD M8 1.25X16MM	5711144004
3	56003179	1	SCR HEX THD/HD M8 1.25X20MM	5711144004
4	56003389	1	NUT HEX NYL LOC M8X1.25	5711144005
5	56003426	5	NUT HEX NYL LOC SS M6	5711144005
6	56003431	6	SCR HEX SS M6 1.00X16MM	5711144005
7	56003441	1	SCR HEX LOC M6 1.00X16MM	5711144005
8	56185263	2	BEARING SLEEVE E00202	5711144029
9	56320595	2	BUSHING .31X.50X.28HC18M	5711144062
10	56314860	1	BLADE KIT CYL RED GUM	NOTE 2 - Optional 5711144057
10	56314861	1	KIT DECK BLADE CYL. NEOPRENE	NOTE 2 - Optional 5711144057
10	56407392	1	BLADE DECK NEOPRENE	Optional 5711144082
10	56407447	1	BLADE DECK GUM	Optional 5711144083
10	56410335	1	BLADE DECK RED GUM	5711144088
11	56470672	1	SPRING EXT .75X3.00RE124K	5711144123
12	56314435	1	ARM MOUNT	5711144055
13	56314437	1	RETAINER SKIRT	5711144055
14	56314439	1	WELDMENT SKIRT BRACKET	5711144055
15	56314440	1	BRACKET MOUNT	5711144055
14A	56314438	1	WELDMENT SKIRT BRACKET	5711144055
15A	56314441	1	BRACKET MOUNT	5711144055

NOTE: All quantities are for one skirt assembly only, there are two skirt assemblies on the machine.

NOTE 2: For use on BR 950S and BR 1050S decks. Deck Blade Kits include two (item 10) Blades and two Deck Blades (item 58) in "Scrub System-Cylindrical (BR 950S, BR 1050S)".

# Skirt assemblies-disk (28" & 32" / before Oct. 200

BR 850/950//1050/S-SC

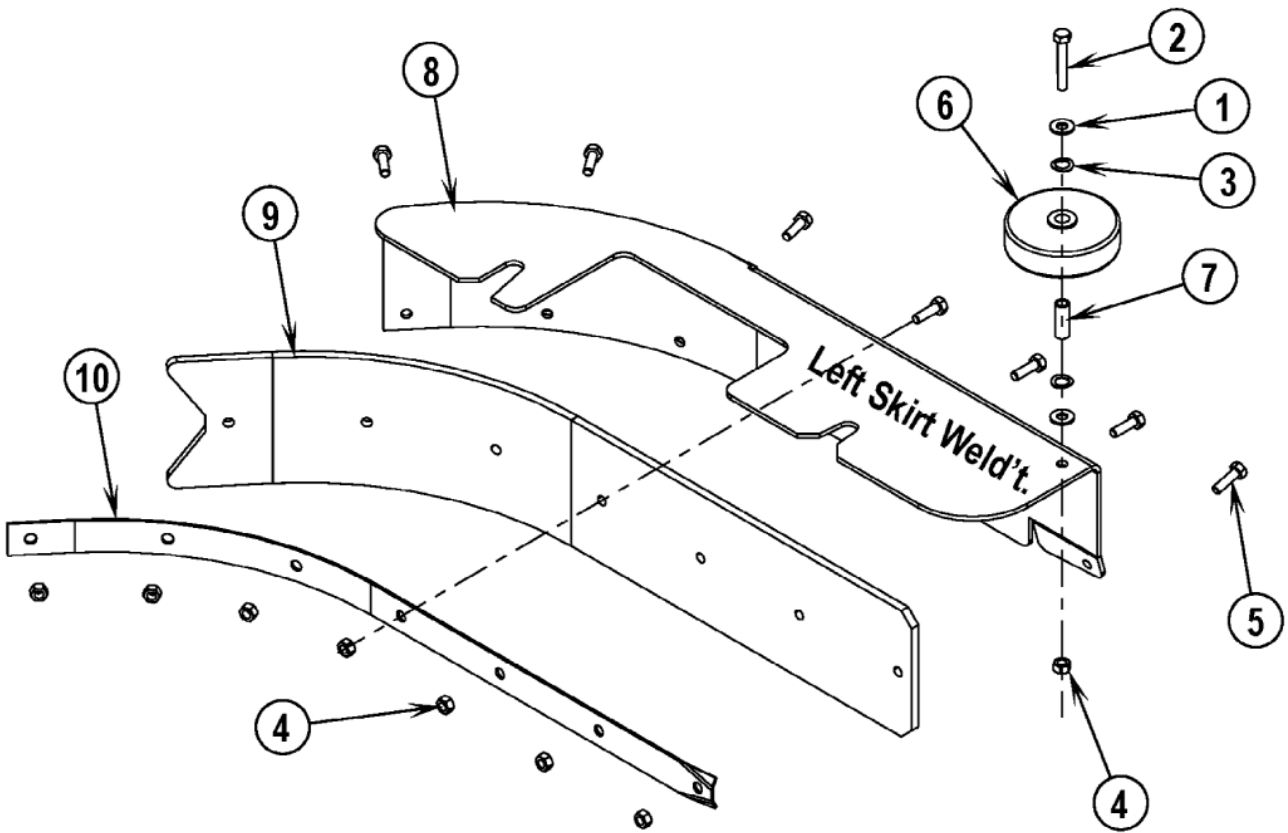
30-05-2011

Part List ID

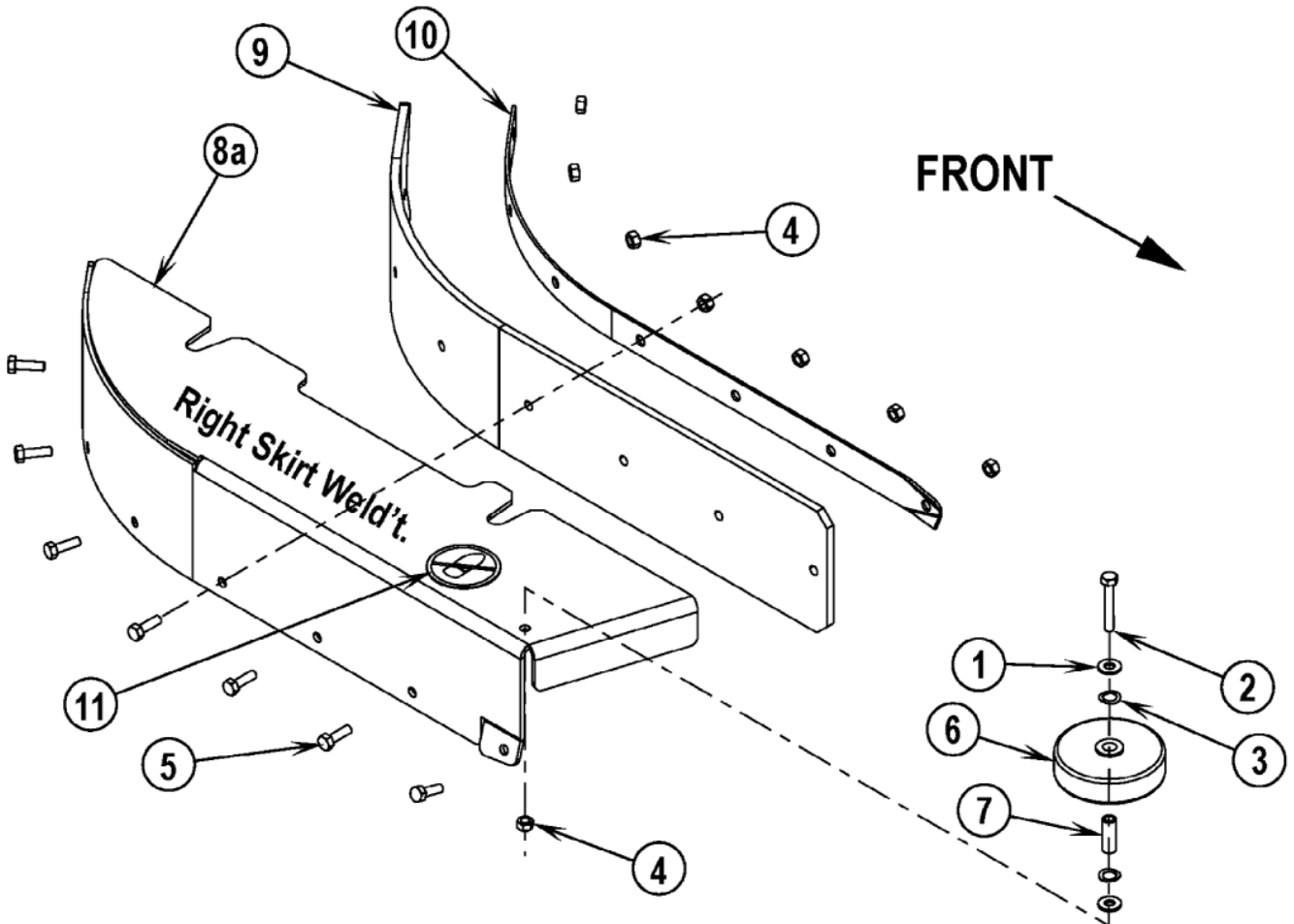
E136127

34

## 56314645-LEFT SKIRT ASSEMBLY



## 56314647-RIGHT SKIRT ASSEMBLY



# Skirt assemblies-disk (28" & 32" / before Oct. 200

BR 850/950//1050/S-SC

30-05-2011

Part List ID

E136127

35

Pos	Part no.	Qty	Description		EAN
0		1	NOTE COMMENT	Left Skirt Assembly TSBUS2004-884 - Not available	5701715456
0		1	NOTE COMMENT	Right Skirt Assembly TSBUS2004-884 - Not available	5701715456
1	56002098	2	WSH FLT SAE 1/4	NOTE 1	5711144000
2	56003167	1	SCR HEX M6 1.0 X 40MM	NOTE 1	5711144004
3	56009045	2	WSH BOWED .375X.578X.060	NOTE 1	5711144007
4	56003426	8	NUT HEX NYL LOC SS M6	qty of 7 on 56314646	5711144005
5	56003454	7	SCR HEX THD TO HD SS M6 1X20MM		5711144005
6	56324499	1	WHEEL 3.00X.781 HC315	NOTE 1	5711144064
7	56471220	1	BUSHING .25X.37X1.0RE185L	NOTE 1	5711144123
8		1	NOTE COMMENT	Frame, Skirt LH TSBUS2004-884	5701715456
9		1	NOTE COMMENT	See Disk Deck Blade Kits pos. A	5701715456
A	56314127	1	KIT GUM RUBBER 32 DISC	NOTE 2	5711144054
A	56314173	1	KIT NEOPRENE 32 DISC	NOTE 2	5711144054
A	56314398	1	KIT LINATEX 32 DISC	NOTE 2	5711144055
A	56315723	1	BLADE KIT DISC RED GUM SD	NOTE 3	5711144060
A	56315724	1	BLADE KIT DISC GUM SIDE	NOTE 3	5711144060
A	56315724	1	BLADE KIT DISC GUM SIDE	NOTE 3	5711144060
10	56314341	1	RETAINER BLADE		5711144055
11	56016163	1	DECAL NO STEP	Right skirt assembly only	5711144011
11	56016163	1	DECAL NO STEP	Right skirt assembly only	5711144011
8A	56314888	1	FRAME SKIRT RH PAINTED	Frame, Skirt RH TSBUS2004-884	5711144057

NOTE 1: All quantities are for one skirt assembly only, there are two skirt assemblies on the machine.

NOTE 2: These Disk Deck Blade Kits include the mounting fasteners (Rivet, Nylon Tree Push-In 56003263), two skirt blades (item 9) and the two deck blades (forward & rear).

NOTE 3: These Disk Deck Blade Kits include just the blades for use in the two Skirt Assemblies.

Pos. A: 850S Disk Deck Blade Kits

# Skirt assemblies-disk (28" & 32" / after Sept. 200)

BR 850/950//1050/S-SC

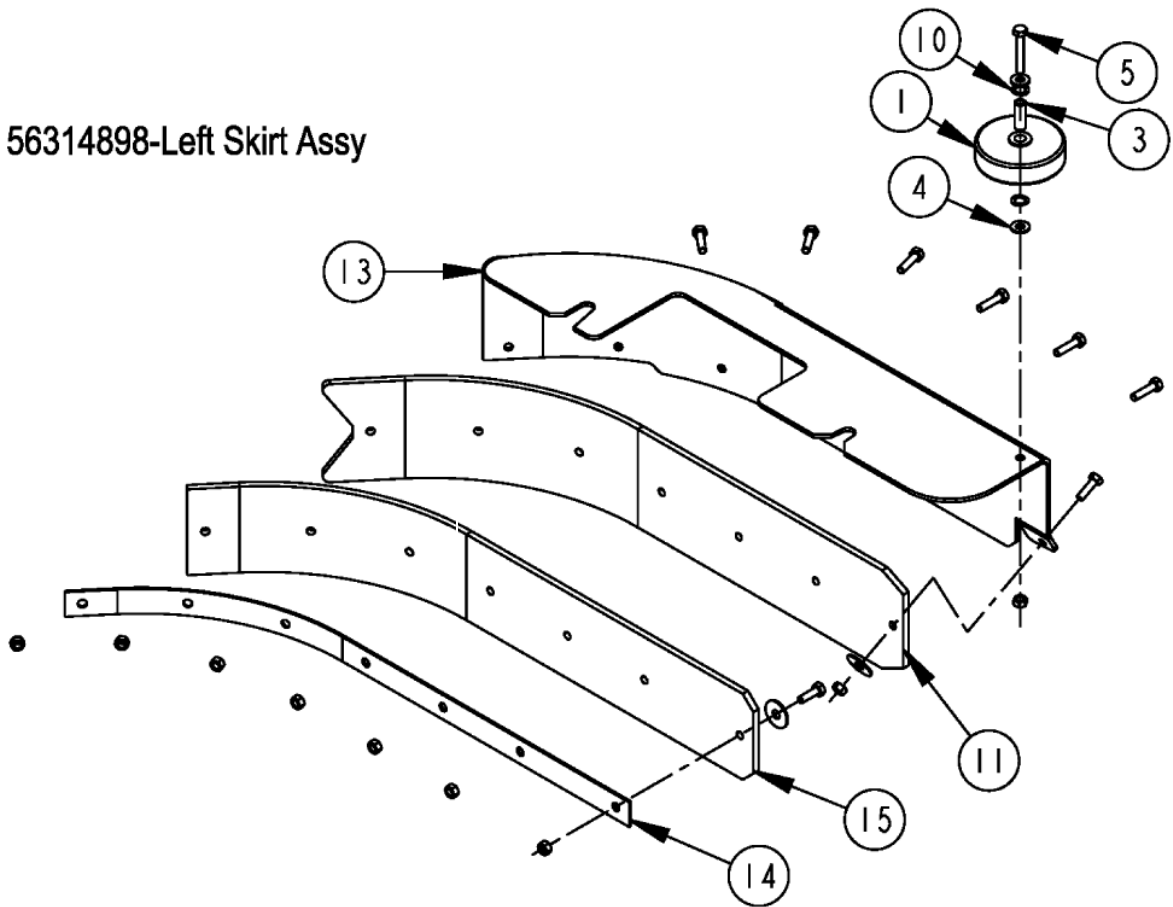
30-05-2011

Part List ID

E136129

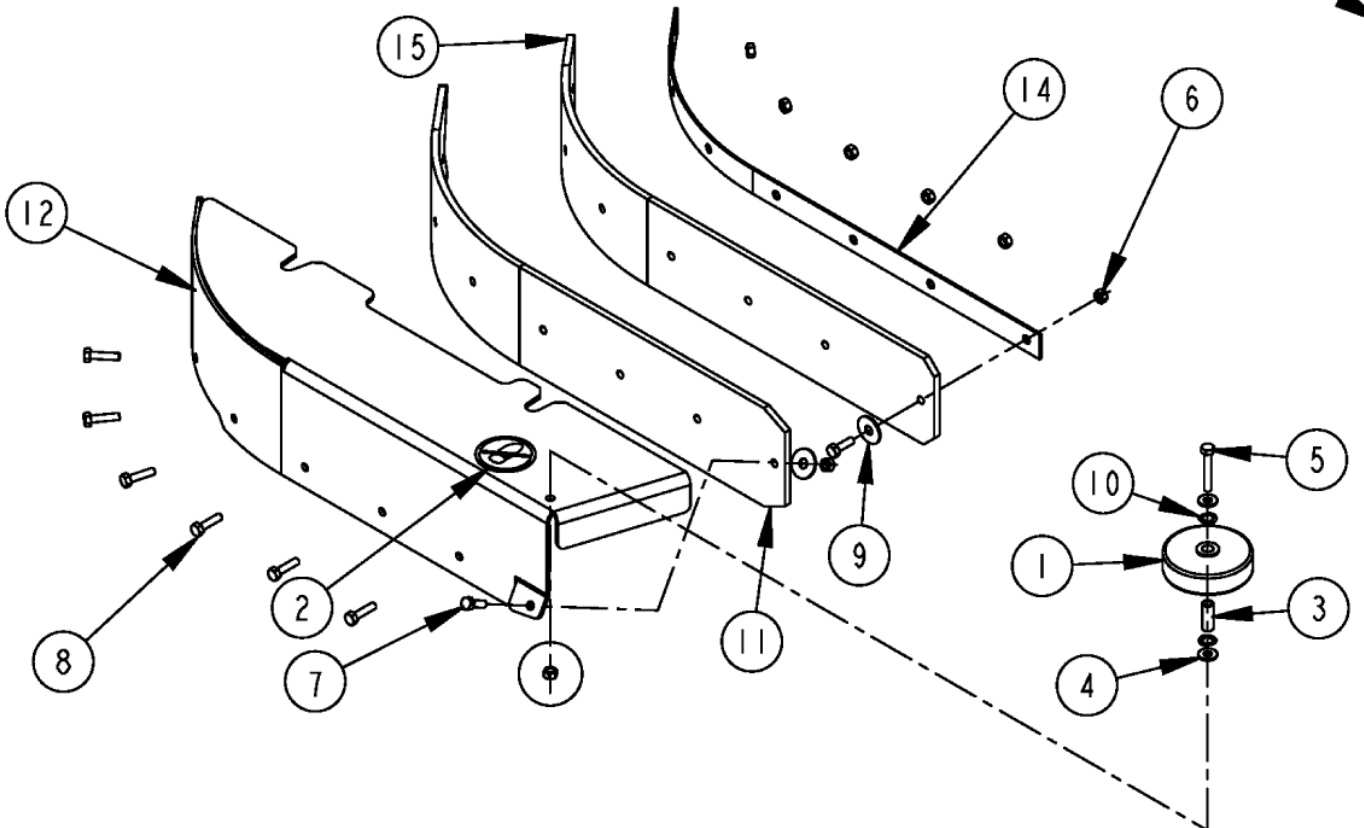
36

### 56314898-Left Skirt Assy



### 56314896-Left Skirt Assy

**FRONT** →



# Skirt assemblies-disk (28" & 32" / after Sept. 200

BR 850/950//1050/S-SC

30-05-2011

Part List ID

E136129

37

Pos	Part no.	Qty	Description	EAN
0	56314896	1	SKIRT ASSEMBLY RIGHT LINATEX	5711144057
0	56314898	1	SKIRT ASSEMBLY LEFT 32LINATEX	5711144057
0	56314898	1	SKIRT ASSEMBLY LEFT 32LINATEX	5711144057
1	56324499	1	WHEEL 3.00X.781 HC315	5711144064
2	56016163	1	DECAL NO STEP	5711144011
			Right skirt assembly only	
2	56016163	1	DECAL NO STEP	5711144011
			Right skirt assembly only	
3	56471220	1	BUSHING .25X.37X1.0RE185L	5711144123
4	56002098	2	WSH FLT SAE 1/4	5711144000
5	56003167	1	SCR HEX M6 1.0 X 40MM	5711144004
6	56003426	9	NUT HEX NYL LOC SS M6	5711144005
7	56003454	2	SCR HEX THD TO HD SS M6 1X20MM	5711144005
8	56003693	6	RIVET NYLON TREE PUSH IN.218	5711144006
9	56003696	2	WSH FLAT SS .33 X 1.00 X .060	5711144006
A	56314914	1	BLADE KIT DISC GUM 32	5711144057
			NOTE 3	
A	56314918	1	KIT LINA TEX 32 DISK	5711144057
			NOTE 3	
A	56315721	1	BLADE KIT DISC RED GUM SD	5711144060
			NOTE 4	
A	56315722	1	BLADE KIT DISC GUM SIDE	5711144060
			NOTE 4	
10	56009045	2	WSH BOWED .375X.578X.060	5711144007
11		1	NOTE COMMENT	5701715456
			See Disk Deck Blade Kits Pos. A	
12	56314888	1	FRAME SKIRT RH PAINTED	5711144057
13	56314889	1	FRAME SKIRT LH PAINTED	5711144057
14	56314891	1	RETAINER BLADE PAINTED	5711144057
15		1	NOTE COMMENT	5701715456
			See Disk Deck Blade Kits Pos. A	

NOTE 1: All quantities are for one skirt assembly only, there are two skirt assemblies on the machine.

NOTE 2: These Disk Deck Blade Kits include the mounting fasteners (Rivet, Nylon Tree Push-In 56003263), four skirt blades (items 11 & 15) and the two deck blades (front and rear).

NOTE 3: These Disk Deck Blade Kits include just the blades for use in the two Skirt Assemblies.

Pos. A: BR 850S Disk Deck Blade Kits

# Skirt assemblies-disk (35" & 38") - old version

BR 850/950//1050/S-SC

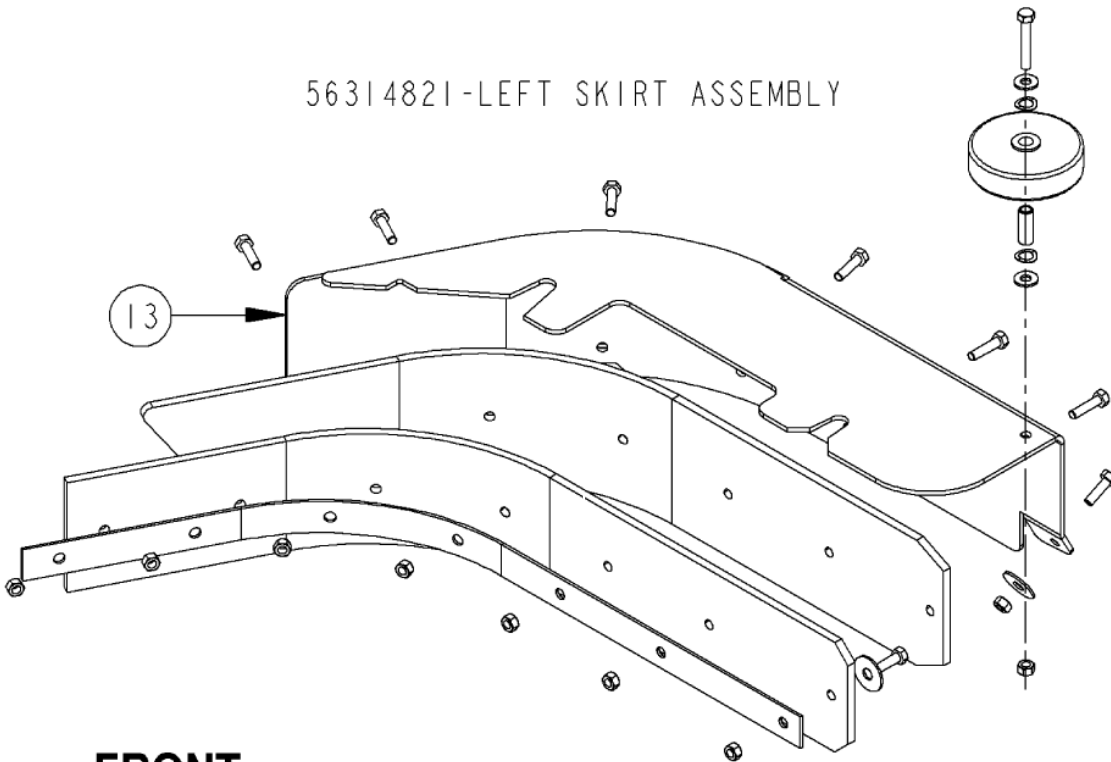
30-05-2011

Part List ID

E136131

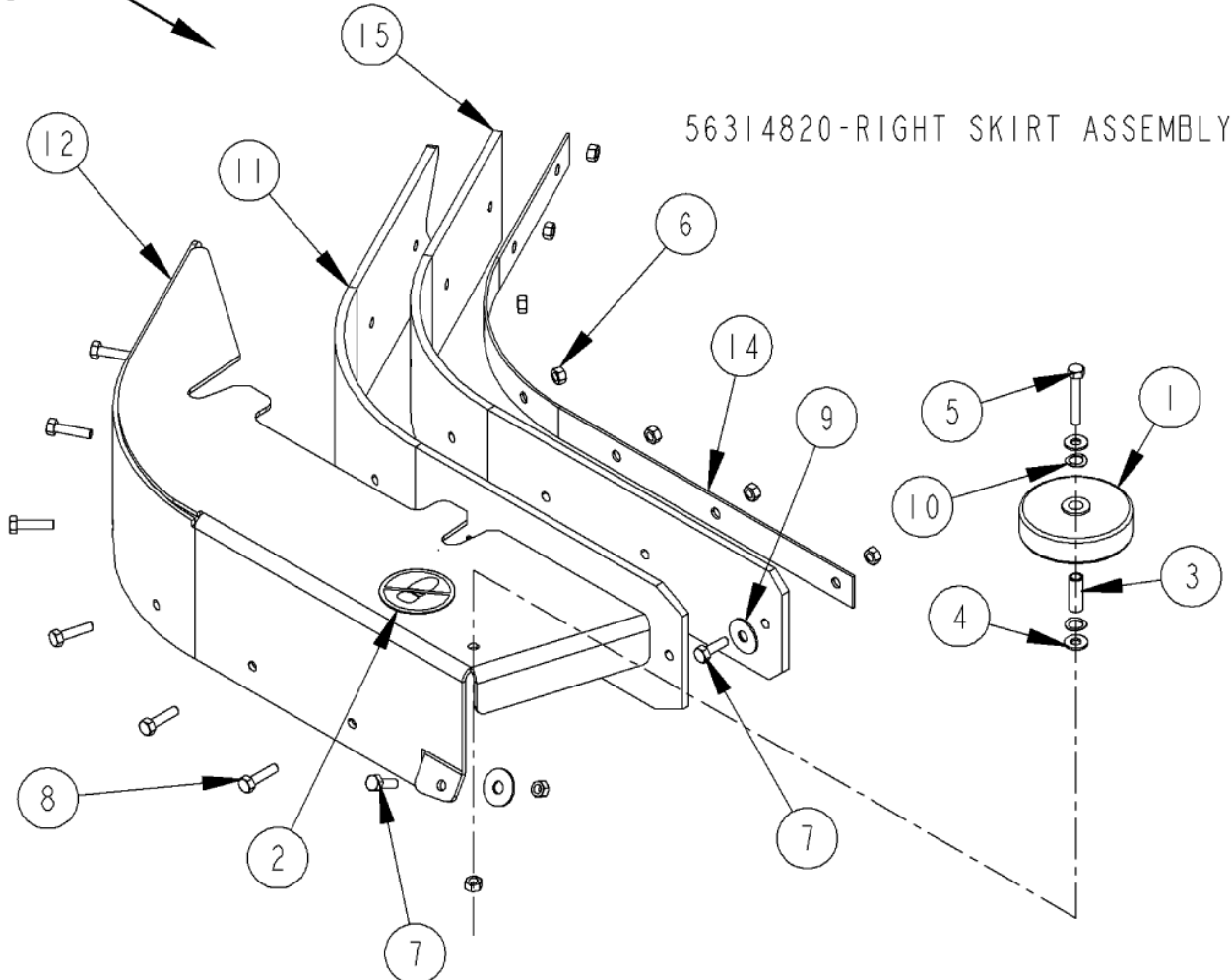
38

56314821-LEFT SKIRT ASSEMBLY



FRONT

56314820-RIGHT SKIRT ASSEMBLY



# Skirt assemblies-disk (35" & 38") - old version

BR 850/950//1050/S-SC

30-05-2011

Part List ID

E136131

39

Pos	Part no.	Qty	Description		EAN
0	56314820	1	SKIRT ASSEMBLY RIGHT		5711144057
0	56314820	1	SKIRT ASSEMBLY RIGHT		5711144057
0	56314821	1	SKIRT ASSEMBLY LEFT		5711144057
1	56324499	1	WHEEL 3.00X.781 HC315		5711144064
2	56016163	1	DECAL NO STEP	Right Skirt Assembly only	5711144011
2	56016163	1	DECAL NO STEP	Right Skirt Assembly only	5711144011
3	56471220	1	BUSHING .25X.37X1.0RE185L		5711144123
4	56002098	2	WSH FLT SAE 1/4		5711144000
5	56003167	1	SCR HEX M6 1.0 X 40MM		5711144004
6	56003426	9	NUT HEX NYL LOC SS M6		5711144005
7	56003454	2	SCR HEX THD TO HD SS M6 1X20MM		5711144005
8	56003693	6	RIVET NYLON TREE PUSH IN.218		5711144006
9	56003696	2	WSH FLAT SS .33 X 1.00 X .060		5711144006
A	56314846	1	BLADE KIT DISC RED GUM 35	NOTE 1	5711144057
A	56314847	1	BLADE KIT DISC NEO 35	NOTE 1	5711144057
A	56315720	1	BLADE KIT DISC RED GUM SD	NOTE 3	5711144060
B	56314848	1	BLADE KIT DISC RED GUM 38	NOTE 1	5711144057
B	56314849	1	BLADE KIT DISC NEO 38	NOTE 1	5711144057
B	56315720	1	BLADE KIT DISC RED GUM SD	NOTE 3	5711144060
10	56009045	2	WSH BOWED .375X.578X.060		5711144007
11		1	NOTE COMMENT	See Disk Deck Blade Kits pos. A and B	5701715456
12	56314871	1	FRAME SKIRT RH		5711144057
13	56314872	1	FRAME SKIRT LH		5711144057
14	56314873	1	RETAINER BLADE		5711144057
15		1	NOTE COMMENT	See Disk Deck Blade Kits pos. A and B	5701715456

NOTE 1: These Disk Deck Blade Kits include the mounting fasteners (Rivet, Nylon Tree Push-In 56003263), four skirt blades (items 11 & 15) and the two deck blades (front & rear).

NOTE 2: All quantities are for one skirt assembly only, there are two skirt assemblies on the machine.

NOTE 3: These Disk Deck Blade Kits include just the blades for use in the two Skirt Assemblies.

Pos. A: 950S Disk Deck Blade Kit

Pos. B: 1050S Disk Deck Blade Kits



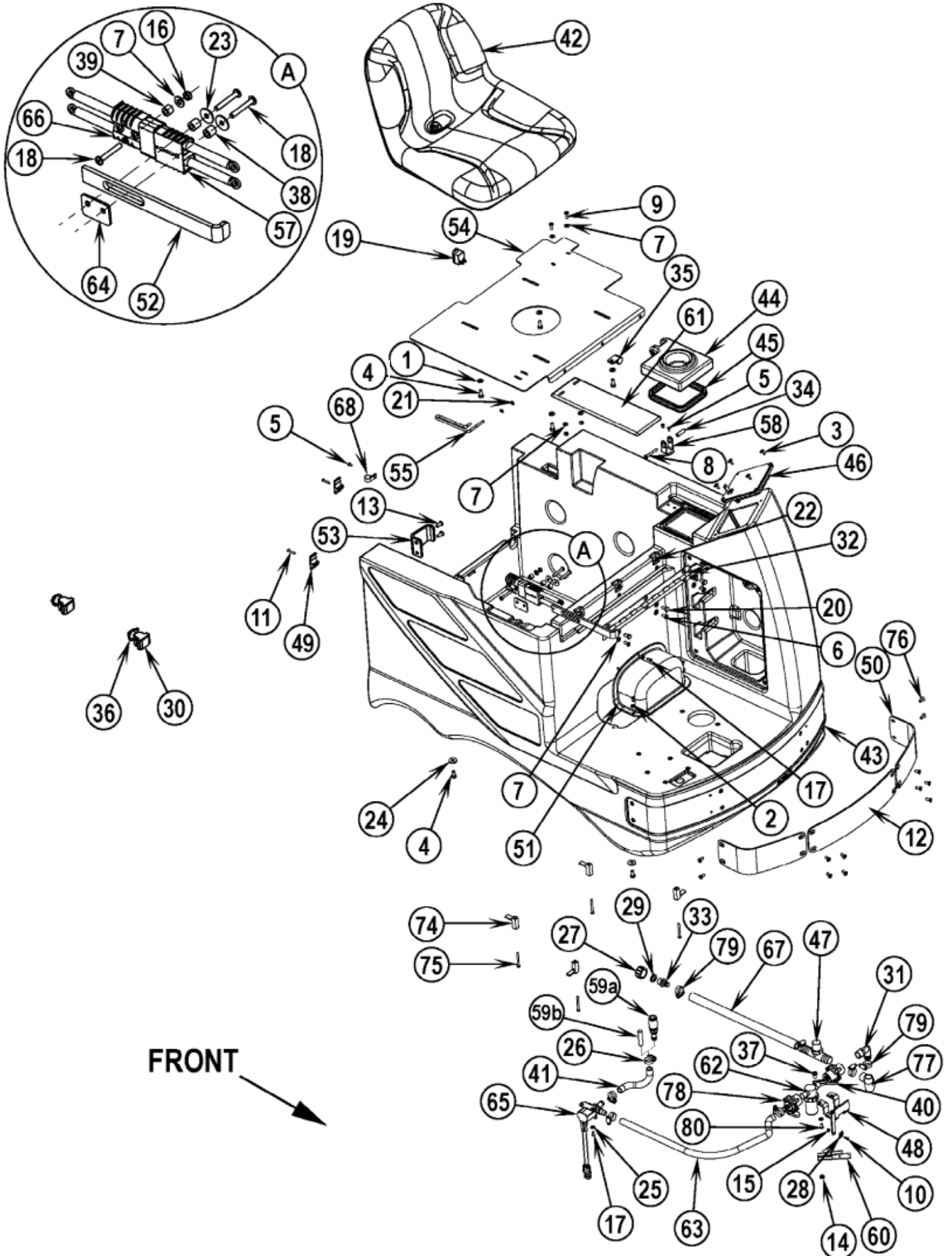
# Solution system standard - old version

BR 850/950//1050/S-SC

30-05-2011

Part List ID  
E136133

40



# Solution system standard - old version

BR 850/950//1050/S-SC

30-05-2011

Part List ID

E136133

41

Pos	Part no.	Qty	Description	EAN
1	56001939	4	WSH FLT SAE 5/16	5711144000
2	56001954	3	WSH FLT SAE 10	5711144000
3	56009206	4	SCR TRUSS PHIL BLK 10 24X.50	5711144008
4	56002035	4	SCR HEX 5/16 18 X .62	5711144000
5	56002043	3	SCR PAN PHIL 10 24 X .38	5711144000
6	56002066	3	SCR PAN PHIL 1/4 20 X .62	5711144000
7	56002098	11	WSH FLT SAE 1/4	5711144000
8	56002108	1	SCR PAN PHIL 1/4 20 X 2.00	5711144000
9	56002507	2	SCR PAN PHIL 1/4 20 X .75	5711144001
10	56002589	1	SCR HEX 6 32 X .50	5711144001
11	56002674	5	SCR PAN PHIL 10 24 X 1.00	5711144002
12	56314642	1	BUMPER FRONT MIDDLE	5711144056
13	56002793	2	SCR PAN PHIL 5/16 18 X .75	5711144002
14	56002826	1	NUT HEX NYL LOC THIN 5/16 18	5711144002
15	56002830	1	NUT HEX NYL LOC 6 32	5711144002
16	56002840	3	NUT HEX NYL LOC THIN 1/4 20	5711144002
17	56002900	5	SCR PAN PHIL SS 10 24 X .50	5711144003
18	56002108	3	SCR PAN PHIL 1/4 20 X 2.00	5711144000
19	7-82-00050	4	SWITCH SEAT	S2 5711144181
20	56003178	3	SCR HEX THD TO HD M8 1.25X16MM	5711144004
21	56003268	2	RING RET EXT TYPE E REINF	5711144004
22	56003389	3	NUT HEX NYL LOC M8X1.25	5711144005
23	56009002	2	WASHER FLAT .266X.906X.060	5711144007
24	56009122	4	WSH FLT .344X.938X.125	5711144008
25	56009205	4	WSH FLT SS .219X.500X.047/.062	5711144008
26	56219932	4	CLAMP HOSE SAE 6 E00047	5711144033
27	56255076	1	CAP PIPE GHT NYLON FA33K	5711144035
28	56344265	1	CLAMP CABLE AS510A	5711144066
29	56368776	1	WSH FLT RUBBER .625CV80L	5711144067
30	56372673	2	BOOT BATTERY POST	NOTE 1 5711144067
31	56314757	1	ELBOW 90BARBMALE1/2 14 .75HOSE	5711144056
32	56314973	1	HINGE	NOTE 3 5711144058
32	56412196	1	HINGE	NOTE 2 5711144091
33	56900273	1	BARB HOSE E00039	5711144145
34	56468553	1	BUSHING .27X.37X1.3RE651D	5711144122
35	56469380	1	CLAMP CABLE .75 E00129	5711144122
36	56478246	2	CABLE TIE E00549 RE438BA	5711144124
37	56003003	1	SCR PAN PHIL 5/16 18X.62	5711144003
38	56046309	2	SPACER PHENOLIC	5711144015

NOTE 1: Battery cables are not included, but "Battery Connector Kit" (56314326) can be ordered separately if battery connectors are desired.

NOTE 2: Used on machines built before TSBUS2005-896.

NOTE 3: Used on machines built after TSBUS2005-896.

NOTE 4: Seat 56314035 is obsolete and replaced by 8-69-00022 in production. Order Seat kit 56109292 to replace in the field.

# Solution system standard - old version

BR 850/950//1050/S-SC

30-05-2011

Part List ID

E136133

42

Pos	Part no.	Qty	Description		EAN
39	56050872	1	SPACER PHEN.		5711144016
40	56314899	1	VALVE SOLUTION		5711144057
41	56262180	1	HOSE SPIRAL .50 x 7 E00604		5711144036
42	8-69-00022	1	SEAT	NOTE 4	5711144196
43	56314966	1	SOLUTION TANK	NOTE 3	
44	56314066	1	COVER SOLUTION TANK		5711144053
45	56314069	1	GASKET		5711144053
46	56314665	1	CONTROL PANEL ASSEMBLY		5711144056
46	56314713	1	PANEL ASSY SCRUBBER	TSBUS2006-932 - Not shown	5711144056
46	56396188	1	SWITCH KEY	Not shown	5711144078
46	56396189	1	KEY SPARE	Not shown	5711144078
47	56314758	1	TEE BARB 1/2 14 .75 HOSE		5711144056
48	56314882	1	BRACKET WATER VALVE	after TSBUS2004-874	5711144057
49	56314155	5	CLAMP CABLE 1 GAUGE		5711144054
50	56314638	2	BUMPER FRONT CORNER		5711144056
51	56314975	1	COVER ACTUATOR CLOSED	NOTE 3 and 3	5711144058
52	56314292	1	BAR DISCONNECT		5711144054
53	56316526	1	BRACKET TANK MOUNT		5711144061
54	56314624	1	WELDMENT SEAT MOUNT	NOTE 2	5711144056
54	56314624	1	WELDMENT SEAT MOUNT	NOTE 2	5711144056
54	56314988	1	WELDT SEAT MOUNT	NOTE 3	5711144058
55	56314223	1	PROP ROD		5711144054
56	56314972	1	HARNES MAIN	Not shown	5711144058
57	56314253	1	CABLE ASSEMBLY		5711144054
58	56314264	1	HINGE BRACKET		5711144054
60	56314881	1	BRACKET VALVE	After TSBUS2004-874	5711144057
61	56314532	1	PANEL BATTERY BOX		5711144055
62	56314756	1	STRAINER		5711144056
63	56386182	1	HOSE E00604		5711144071
64	56397189	1	SPACER		5711144080
65	56397215	1	SOLUTION VALVE ASSY.		5711144080
66	56397508	1	CONNECTOR ASSEMBLY		5711144080
67	56263218	1	HOSE 17 E00521		5711144036
68	56442003	1	CLAMP CABLE .677 E00129		5711144107
74	56314608	4	CLAMP CABLE		5711144056
75	56002171	4	SCR PAN PHIL 10 24 X 2.00		5711144001
76	56002760	12	SCR FLT PHIL 1/4 20 X .62		5711144002
77	56410162	1	HOSE 7 SPIRAL E00605		5711144087
78	56314755	1	VALVE SOLUTION		5711144056

NOTE 1: Battery cables are not included, but "Battery Connector Kit" (56314326) can be ordered separately if battery connectors are desired.

NOTE 2: Used on machines built before TSBUS2005-896.

NOTE 3: Used on machines built after TSBUS2005-896.

NOTE 4: Seat 56314035 is obsolete and replaced by 8-69-00022 in production. Order Seat kit 56109292 to replace in the field.

# Solution system standard - old version

BR 850/950//1050/S-SC

30-05-2011

Part List ID

E136133

43

Pos	Part no.	Qty	Description	EAN
79	56112771	4	CLAMP HOSE SAE 10 E00047	5711144028
80	56001993	2	SCREW 10 24 X 0.5 ZINC PL	5711144000
59A	56314311	1	COUPLING QUICK DISC. FEMALE	5711144054
			Before TSBUS2005-888	
59B	56314904	1	TUBE	5711144057
			After TSBUS2005-888	

NOTE 1: Battery cables are not included, but "Battery Connector Kit" (56314326) can be ordered separately if battery connectors are desired.

NOTE 2: Used on machines built before TSBUS2005-896.

NOTE 3: Used on machines built after TSBUS2005-896.

NOTE 4: Seat 56314035 is obsolete and replaced by 8-69-00022 in production. Order Seat kit 56109292 to replace in the field.

# Solution system AXP-EDS - old version

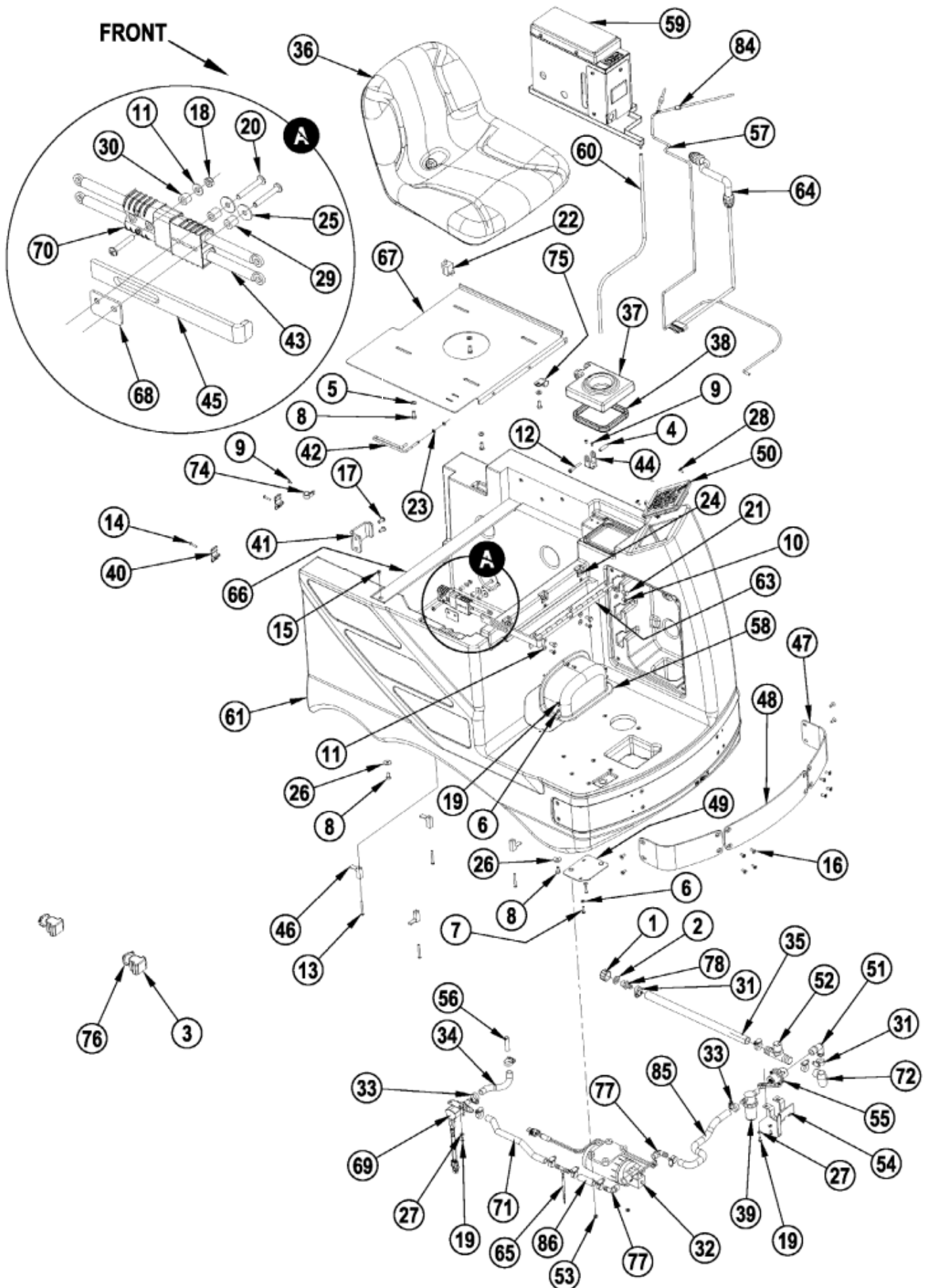
30-05-2011

Part List ID

E136135

BR 850/950//1050/S-SC

44



# Solution system AXP-EDS - old version

BR 850/950//1050/S-SC

30-05-2011

Part List ID

E136135

45

Pos	Part no.	Qty	Description	EA	EAN
1	56255076	1	CAP PIPE GHT NYLON FA33K		5711144035
2	56368776	1	WSH FLT RUBBER .625CV80L		5711144067
3	56372673	2	BOOT BATTERY POST	NOTE 2	5711144067
4	56468553	1	BUSHING .27X.37X1.3RE651D		5711144122
5	56001939	4	WSH FLT SAE 5/16		5711144000
6	56001954	5	WSH FLT SAE 10		5711144000
7	56002674	2	SCR PAN PHIL 10 24 X 1.00		5711144002
8	56002035	4	SCR HEX 5/16 18 X .62		5711144000
9	56002043	3	SCR PAN PHIL 10 24 X .38		5711144000
10	56002066	3	SCR PAN PHIL 1/4 20 X .62		5711144000
11	56002098	7	WSH FLT SAE 1/4		5711144000
12	56002108	1	SCR PAN PHIL 1/4 20 X 2.00		5711144000
13	56002171	4	SCR PAN PHIL 10 24 X 2.00		5711144001
14	56002674	5	SCR PAN PHIL 10 24 X 1.00		5711144002
15	56002711	1	SCR FLT PHIL 1/4 20 X .88		5711144002
16	56002711	12	SCR FLT PHIL 1/4 20 X .88		5711144002
17	56002793	2	SCR PAN PHIL 5/16 18 X .75		5711144002
18	56002840	1	NUT HEX NYL LOC THIN 1/4 20		5711144002
19	56002900	7	SCR PAN PHIL SS 10 24 X .50		5711144003
20	56002108	3	SCR PAN PHIL 1/4 20 X 2.00		5711144000
21	56003178	3	SCR HEX THD TO HD M8 1.25X16MM		5711144004
22	7-82-00050	4	SWITCH SEAT	S2	5711144181
23	56003268	2	RING RET EXT TYPE E REINF		5711144004
24	56003389	3	NUT HEX NYL LOC M8X1.25		5711144005
25	56009002	2	WASHER FLAT .266X.906X.060		5711144007
26	56009122	4	WSH FLT .344X.938X.125		5711144008
27	56009205	4	WSH FLT SS .219X.500X.047/.062		5711144008
28	56009206	4	SCR TRUSS PHIL BLK 10 24X.50		5711144008
29	56046309	2	SPACER PHENOLIC		5711144015
30	56050872	1	SPACER PHEN.		5711144016
31	56112771	4	CLAMP HOSE SAE 10 E00047		5711144028
32	56109587	1	PUMP HEAD ASSY	Not shown	5711144021
32	56109588	1	CHECK VALVE ASSY	Not shown	5711144021
32	56212014	1	PUMP DC 36V BY PASS		5711144032
33	56219932	8	CLAMP HOSE SAE 6 E00047		5711144033
34	56262180	3	HOSE SPIRAL .50 x 7 E00604		5711144036
35	56263218	1	HOSE 17 E00521		5711144036
36	8-69-00022	1	SEAT	NOTE 1	5711144196
37	56314066	1	COVER SOLUTION TANK		5711144053
38	56314069	1	GASKET		5711144053

NOTE 1: Seat 56314035 is obsolete and replaced by 8-69-00022 in production. Order Seat kit 56109292 to replace in the field.

NOTE 2: Battery cables are not included, but "Battery Connector Kit" (56314326) can be ordered separately if battery connectors are desired.

# Solution system AXP-EDS - old version

BR 850/950//1050/S-SC

30-05-2011

Part List ID  
E136135

46

Pos	Part no.	Qty	Description	EAN
39	56314147	1	STRAINER	5711144054
40	56314155	5	CLAMP CABLE 1 GAUGE	5711144054
41	56316526	1	BRACKET TANK MOUNT	5711144061
42	56314223	1	PROP ROD	5711144054
43	56314253	1	CABLE ASSEMBLY	5711144054
44	56314264	1	HINGE BRACKET	5711144054
45	56314292	1	BAR DISCONNECT	5711144054
46	56314608	4	CLAMP CABLE	5711144056
47	56314638	2	BUMPER FRONT CORNER	5711144056
48	56314642	1	BUMPER FRONT MIDDLE	5711144056
49	56314644	1	ADAPTER PLATE	5711144056
50	56314665	1	CONTROL PANEL ASSEMBLY	5711144056
50	56314713	1	PANEL ASSY SCRUBBER	TSBUS2006-932 - not shown 5711144056
50	56396188	1	SWITCH KEY	Not shown 5711144078
50	56396189	1	KEY SPARE	Not shown 5711144078
51	56314757	1	ELBOW 90BARBMALE1/2 14 .75HOSE	5711144056
52	56314758	1	TEE BARB 1/2 14 .75 HOSE	5711144056
53	56002768	2	NUT HEX NYL LOC 10 24	5711144002
53	56314787	1	HARNESS CABLE	Not shown 5711144056
54	56314881	1	BRACKET VALVE	5711144057
55	56314899	1	VALVE SOLUTION	5711144057
56	56314904	1	TUBE	5711144057
57	56314863	1	HOSE CHEM RESISTANT	5711144057
58	56314960	1	COVER ACTUATOR	5711144057
59	56316537	1	DETERGENT INJECT ASSY	TSBUS2006-922 - see detergent injection system 5711144061
60	56314965	1	HOSE PVC 1/4X3/8X32	5711144057
61	56314966	1	SOLUTION TANK	
62	56314972	1	HARNESS MAIN	5711144058
63	56314973	1	HINGE	5711144058
64	56314980	1	HARNESS CHEMICAL SYSTEM	5711144058
65	56314983	1	TEE ASSEMBLY	5711144058
66	56314985	1	BRACKET SEAT	5711144058
67	56314986	1	WELDT SEAT MOUNT	5711144058
68	56397189	1	SPACER	5711144080
69	56397215	1	SOLUTION VALVE ASSY.	5711144080
70	56397508	1	CONNECTOR ASSEMBLY	5711144080
71	56409462	1	HOSE .50 X 12.0 E00604	5711144084
72	56410162	1	HOSE 7 SPIRAL E00605	5711144087
74	56442003	1	CLAMP CABLE .677 E00129	5711144107
75	56469380	1	CLAMP CABLE .75 E00129	5711144122

NOTE 1: Seat 56314035 is obsolete and replaced by 8-69-00022 in production. Order Seat kit 56109292 to replace in the field.

NOTE 2: Battery cables are not included, but "Battery Connector Kit" (56314326) can be ordered separately if battery connectors are desired.

# Solution system AXP-EDS - old version

BR 850/950//1050/S-SC

30-05-2011

Part List ID

E136135

47

Pos	Part no.	Qty	Description	EAN
76	56478246	2	CABLE TIE E00549 RE438BA	5711144124
77	56109566	2	BARB 90 ELBOW 1/2 X 3/8 NPT	5711144021
78	56900273	1	BARB HOSE E00039	5711144145
84	56316209	1	CHECK VALVE ASSY TSBUS2006-937	5711144061
85	56264318	1	HOSE E00604	5711144037
86	56111385	1	HOSE SPIRAL .50 X 2.50	5711144026

NOTE 1: Seat 56314035 is obsolete and replaced by 8-69-00022 in production. Order Seat kit 56109292 to replace in the field.

NOTE 2: Battery cables are not included, but "Battery Connector Kit" (56314326) can be ordered separately if battery connectors are desired.



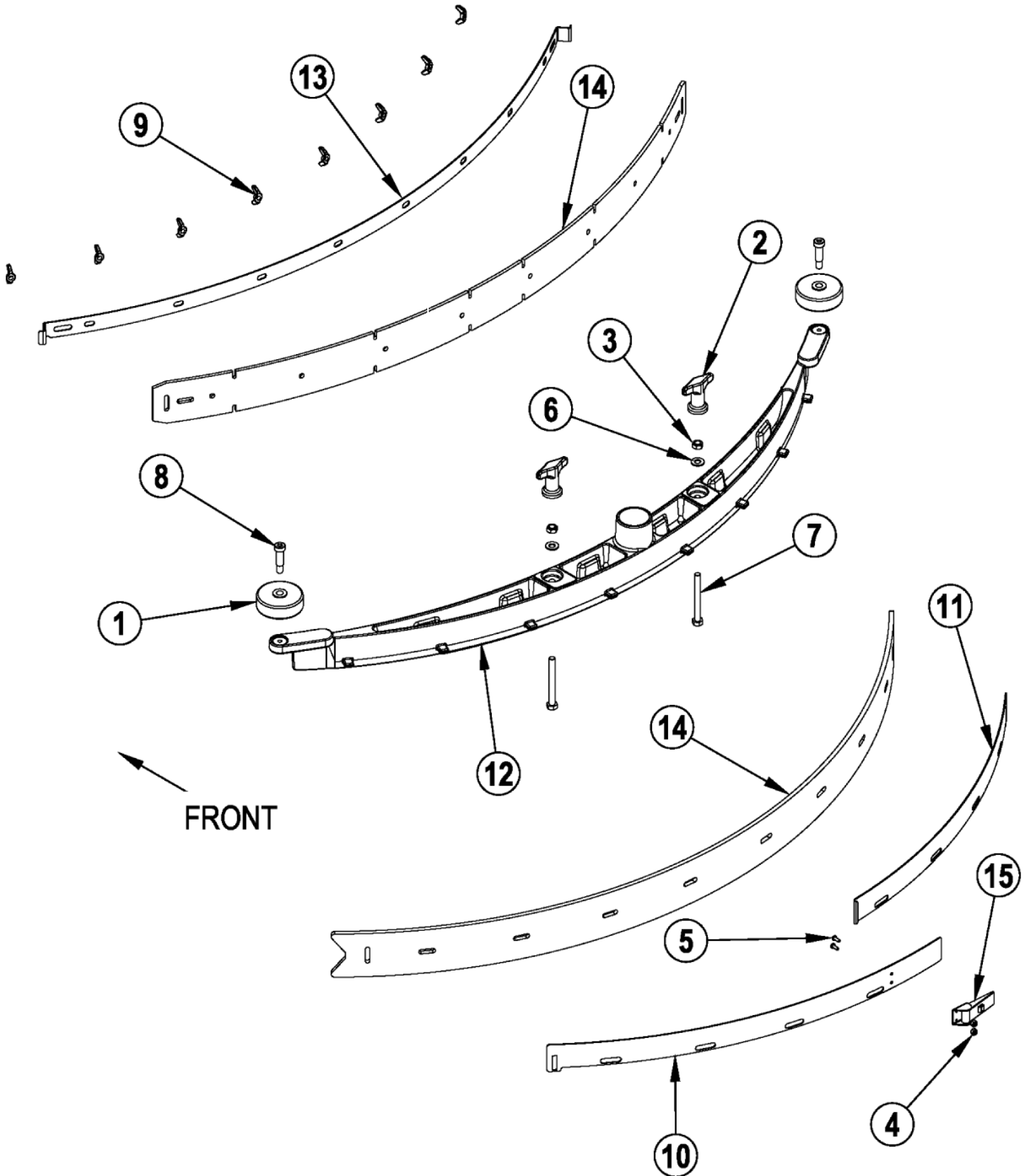
# Squeegee assembly - old version

BR 850/950//1050/S-SC

30-05-2011

Part List ID  
E136136

48



# Squeegee assembly - old version

BR 850/950//1050/S-SC

30-05-2011

Part List ID

E136136

49

Pos	Part no.	Qty	Description	EAN
	56314650	1	SQUEEGEE ASSEMBLY 32 (BR 850S BEFORE SN1819567)	5711144056
	56314697	1	SQUEEGEE ASSEMBLY D (BR850S, BR 950S) NOTE 2	5711144056
	56314803	1	SQUEEGEE ASSEMBLY E (BR 1050S) NOTE 2	5711144057
	56314803	1	SQUEEGEE ASSEMBLY E (BR 1050S) NOTE 2	5711144057
1	56324350	2	WHEEL	5711144064
2	56370711	2	NUT THUMB	5711144067
3	56002851	2	NUT HEX NYL LOC THIN SS5/16 18	5711144002
4	56002907	2	NUT HEX NYL LOC SS 6 32	5711144003
5	56002909	2	SCR PAN PHIL SS 6 32 X .38	5711144003
6	56002938	2	WSH FLT SAE SS 5/16	5711144003
7	56003736	2	SCR HEX THD SS 5/16 18X3.00	5711144007
8	56003472	2	SCR SOC SHD.38X1.00X5/16 18	5711144005
9	56009111	8	NUT WING S.S. 1/4 20	5711144008
10	56109664	1	STRAP LEFT REAR C (BR 850S BEFORE SN1819567) NOTE 2	5711144022
10	56109667	1	STRAP LEFT REAR D (BR850S, BR 950S) NOTE 2	5711144022
10	56109670	1	STRAP LEFT REAR E (BR 1050S) NOTE 2	5711144022
11	56109665	1	STRAP RIGHT REAR C (BR 850S BEFORE SN1819567) NOTE 2	5711144022
11	56109668	1	STRAP RIGHT REAR D (BR 850S, BR 950S) NOTE 2	5711144022
11	56109671	1	STRAP RIGHT REAR E (BR 1050S) NOTE 2	5711144022
12	56314325	1	SQUEEGEE TOOL CASTING C (BR 850S BEFORE SN1819567)	5711144055
12	56314694	1	SQUEEGEE TOOL CASTING D (BR 850S, BR 950S)	5711144056
12	56314800	1	SQUEEGEE TOOL CASTING E (BR 1050S)	5711144057
13	56314322	1	STRAP FRONT 32 (BR 850S BEFORE SN1819567) NOTE 2	5711144055
13	56314696	1	STRAP FRONT D (BR 850S, BR 950S) NOTE 2	5711144056
13	56314802	1	STRAP FRONT E (BR 1050S) NOTE 2	5711144057
14	56314061	1	BLADE KIT SQGEE RED GUM C (BR 850S BEFORE SN1819567) NOTE 1	5711144053
14	56314844	1	BLADE KIT SQGEE RED GUM E (BR 1050S) NOTE 1	5711144057
14	56314865	1	BLADE KIT SQGEE RED GUM D (BR 850S, BR 950S) NOTE 1	5711144057
15	56471194	1	LATCH ASSY RE32	5711144123
50	56314060	1	BLADE KIT SQUEEGEE GUM C OPTIONAL, NOT INCLUDED - NOTE 1	5711144053
51	56314061	1	BLADE KIT SQGEE RED GUM C OPTIONAL, NOT INCLUDED - NOTE 1	5711144053
52	56315855	1	BLADE KIT SQUEEGEE PU C OPTIONAL, NOT INCLUDED - NOTE 1	5711144061
60	56314865	1	BLADE KIT SQGEE RED GUM D OPTIONAL, NOT INCLUDED - NOTE 1	5711144057
61	56315856	1	BLADE KIT SQUEEGEE PU D OPTIONAL, NOT INCLUDED - NOTE 1	5711144061
70	56314844	1	BLADE KIT SQGEE RED GUM E OPTIONAL, NOT INCLUDED - NOTE 1	5711144057

NOTE 1: Squeegee Blade Kits include both front & rear squeegee blades.

NOTE 2: To replace squeegee straps on machines without Latch Support 56109554 (item 16) order one of the three following Strap Kits:

56109586-Strap Kit-E (for Squeegee Assy 56314803)

56109585-Strap Kit-D (for Squeegee Assy 56314697)

56109584-Strap Kit-C (for Squeegee Assy 56314650)

These kits include both rear straps, front strap and the latch support.

Pos. 50-53: BR 850S Squeegee Blade Kits (BEFORE SN1819567)

Pos. 60-61: BR 850S / BR 950S Squeegee Blade Kits

Pos. 70-71: BR 1050S Squeegee Blade Kits

# Squeegee assembly - old version

BR 850/950//1050/S-SC

30-05-2011

Part List ID

E136136

50

Pos	Part no.	Qty	Description	EAN
71	56315978	1	BLADE KIT SQUEEGEE PU E	5711144061

OPTIONAL, NOT INCLUDED - NOTE 1

NOTE 1: Squeegee Blade Kits include both front & rear squeegee blades.

NOTE 2: To replace squeegee straps on machines without Latch Support 56109554 (item 16) order one of the three following Strap Kits:

56109586-Strap Kit-E (for Squeegee Assy 56314803)

56109585-Strap Kit-D (for Squeegee Assy 56314697)

56109584-Strap Kit-C (for Squeegee Assy 56314650)

These kits include both rear straps, front strap and the latch support.

Pos. 50-53: BR 850S Squeegee Blade Kits (BEFORE SN1819567)

Pos. 60-61: BR 850S / BR 950S Squeegee Blade Kits

Pos. 70-71: BR 1050S Squeegee Blade Kits

# Top view of squeegee tool castings - old version

BR 850/950//1050/S-SC

30-05-2011

Part List ID

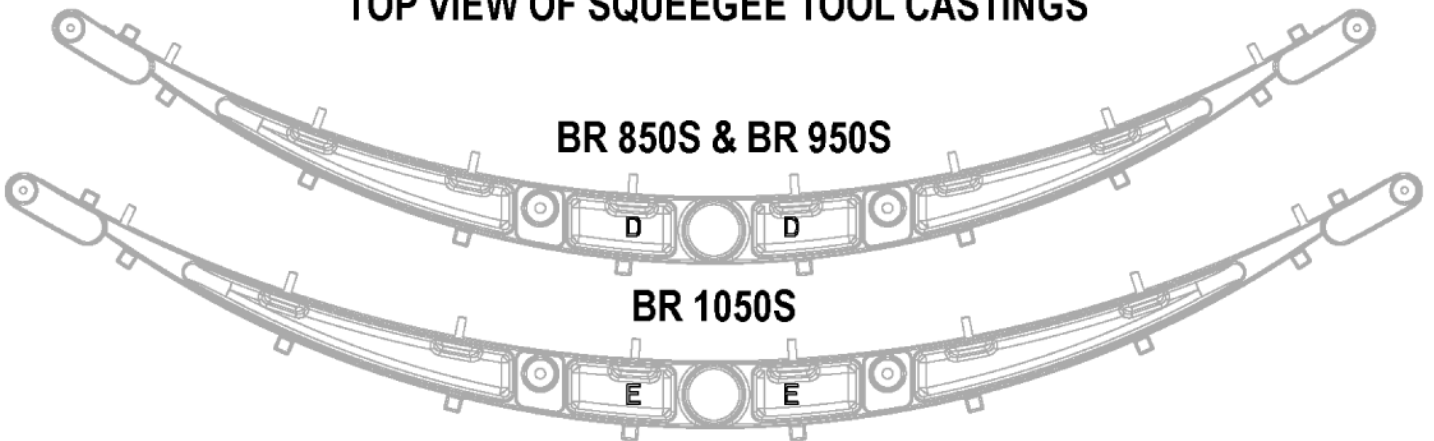
E136137

51

## TOP VIEW OF SQUEEGEE TOOL CASTINGS

BR 850S & BR 950S

BR 1050S



# Top view of squeegee tool castings - old version

BR 850/950//1050/S-SC

30-05-2011

Part List ID

E136137

52

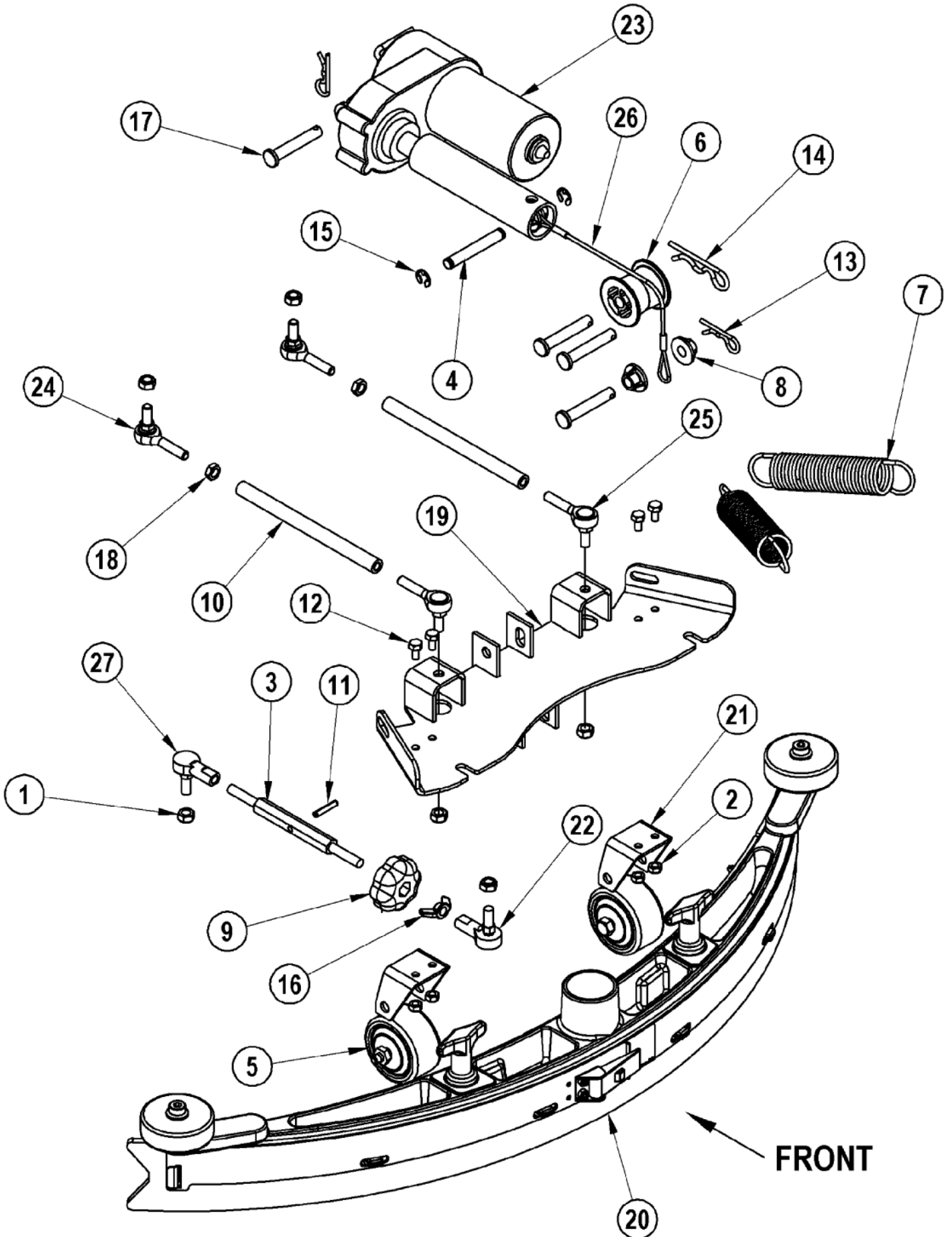
# Squeegee system - old version

BR 850/950//1050/S-SC

30-05-2011

Part List ID  
E136138

53



# Squeegee system - old version

BR 850/950//1050/S-SC

30-05-2011

Part List ID

E136138

54

Pos	Part no.	Qty	Description	EAN
1	56002866	6	NUT HEX NYL LOC THIN 5/16 24	5711144002
2	56003403	4	NUT HEX NYL LOC M6 X 1.00	5711144005
3	56412067	1	CONNECTING ROD COMPRESSION	5711144091
4	56412088	1	PIN	5711144091
5	56412124	2	WHEEL	5711144091
6	56412208	1	ROLLER	5711144092
7	56412216	2	SPRING EXTENSION	5711144092
8	56412248	4	SPACER	5711144092
9	56412284	1	KNOB SQUEEGEE ADJUST	5711144092
10	56412314	2	CONNECTING ROD	5711144092
11	56002082	1	PIN SPR .19 X 1.00	5711144000
12	56003211	4	SCR HEX HD SS M6 1.0 X 12MM	5711144004
13	56003222	2	PIN COT HAIR .125 X DIA.50/.75	5711144004
14	56003223	1	PIN COT HAIR.148 X DIA.62/1.00	5711144004
15	56003262	2	RING RET EXT TYPE E	5711144004
16	56003497	1	NUT WING SS 5/16 24	5711144006
17	56003656	4	CLEVIS PIN .375 X 2.25	5711144006
18	56001884	2	NUT HEX JAM 5/16 24	5711144000
19	56314023	1	SQUEEGEE MOUNT WELDMENT	5711144053
20	56314650	1	SQUEEGEE ASSEMBLY 32	(BR 850S BEFORE SN1819567) NOTE 1 5711144056
20	56314697	1	SQUEEGEE ASSEMBLY D	(BR 850S / BR 950S) NOTE 1 - NOT SHOWN 5711144056
20	56314803	1	SQUEEGEE ASSEMBLY E	(BR 1050S) - NOT SHOWN 5711144057
20	56314803	1	SQUEEGEE ASSEMBLY E	(BR 1050S) - NOT SHOWN 5711144057
21	56314722	2	MOUNT WHEEL	5711144056
22	56395755	1	ROD END	5711144077
23	56397230	1	ACTUATOR MOTOR 36V	(M2) 5711144080
24	56412312	2	ROD END 5/16 R.H.	5711144092
25	56412313	2	ROD END 5/16 L.H.	5711144092
26	56412340	1	CABLE ASSEMBLY	5711144092
27	56477756	1	ROD END	5711144123

NOTE 1: BR 850S models before SN 1819567 used Squeegee Assy 56314650. After SN1819567 they use Squeegee Assy 56314697. If replacing squeegee 56314650 with 56314697 on a machine before 1819567 the Squeegee Stop Bracket needs to be set at the "in" position. See TSBUS2005-891.

# Squeegee system IN and OUT position - old versio

BR 850/950//1050/S-SC

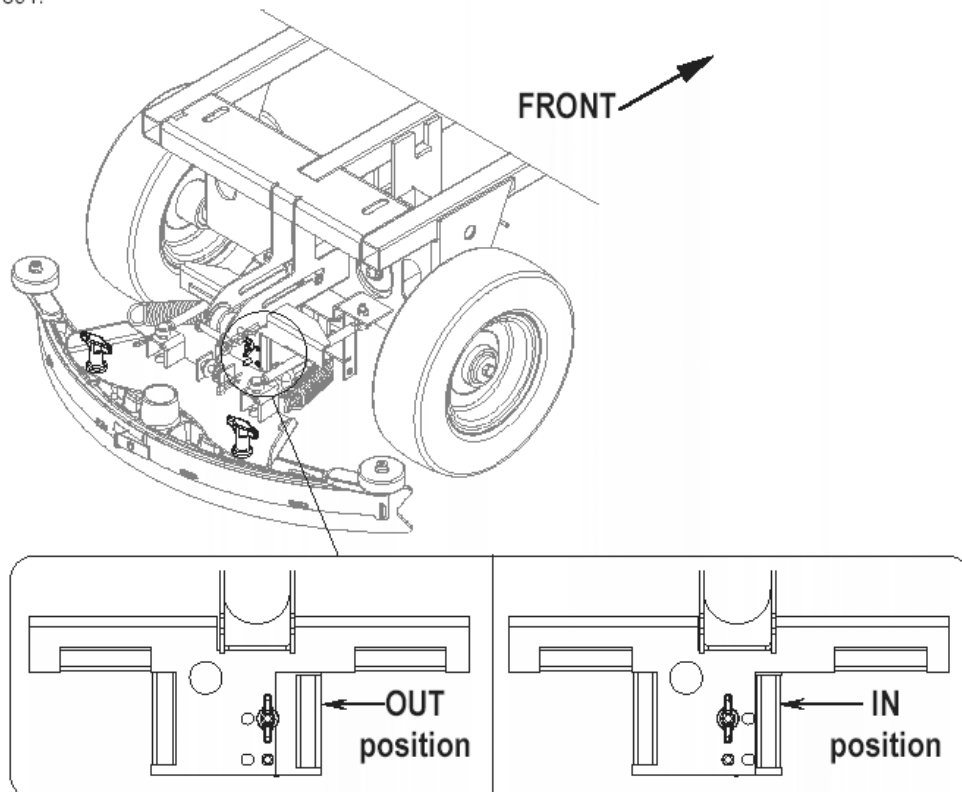
30-05-2011

Part List ID

E136139

55

**NOTE 1: BR 850S & BR 850CS** models before SN 1819567 used Squeegee Assy 56314650, after SN use Squeegee Assy 56314697. If replacing squeegee 56314650 with 56314697 on either one of these two models (SN before 1819567) the Squeegee Stop Bracket needs to be set at the "in" position. See TSBUS2005-891.





# Squeegee system IN and OUT position - old versio

BR 850/950//1050/S-SC

30-05-2011

Part List ID

E136139

56

# Steering column assembly - old version

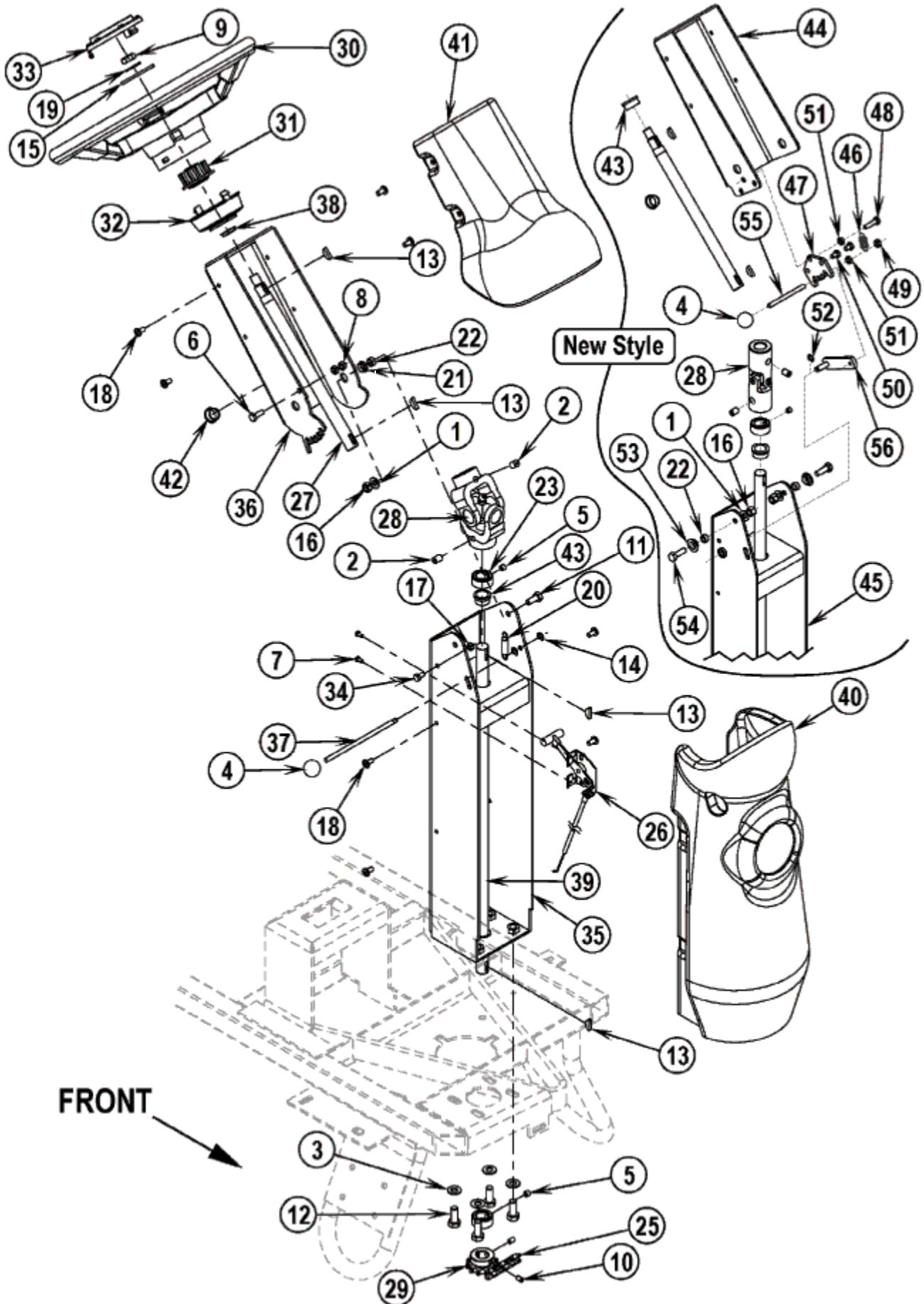
BR 850/950//1050/S-SC

30-05-2011

Part List ID

E136141

57



# Steering column assembly - old version

BR 850/950//1050/S-SC

30-05-2011

Part List ID

E136141

58

Pos	Part no.	Qty	Description		EAN
1	56001939	2	WSH FLT SAE 5/16		5711144000
2	56001958	2	SCR SOC SET LOC 3/8 16 X .50		5711144000
3	56002063	4	WSH FLT SAE 3/8		5711144000
4	56440817	1	KNOB 1.00X1/4 20 CV429C		5711144107
5	56002086	2	SCR SOC SET LOC 5/16 18 X .25		5711144000
6	56002155	1	SCR HEX 1/4 20 X .75	NOTE 1	5711144001
7	56009051	2	SCR PAN PHIL THD FORM 8 32X.38	NOTE 3	5711144007
8	56002840	2	NUT HEX NYL LOC THIN 1/4 20		5711144002
9	56002843	1	NUT HEX NYL LOC THIN 1/2 13		5711144002
10	56002930	2	SCR SOC SET LOC 1/4 20 X .38		5711144003
11	56003179	2	SCR HEX THD/HD M8 1.25X20MM	NOTE 1	5711144004
12	56003186	4	SCR HEX THD/HD M10 1.50 X 25MM		5711144004
13	56003228	4	KEY WDF 606		5711144004
14	56003268	2	RING RET EXT TYPE E REINF	NOTE 1	5711144004
15	56002228	1	WSH FLT SAE 7/8		5711144001
16	56003389	2	NUT HEX NYL LOC M8X1.25		5711144005
17	56003403	1	NUT HEX NYL LOC M6 X 1.00	NOTE 1	5711144005
18	56009126	8	SCR PANPHILTHD FORM 1/4 20X.75		5711144008
19	56001879	1	WSH FLT SAE 1/2		5711144000
20	56245008	1	SPRING EXT .37X2.00FC436B	NOTE 1	5711144034
21	56302164	2	NYLON BEARING	NOTE 1	5711144040
22	56320595	2	BUSHING .31X.50X.28HC18M		5711144062
23	56367095	2	COLLAR SHAFT .750 CV31A		5711144067
25	56412198	1	CHAIN ROLLER 2 LINKS W/CHAIN		5711144092
26	56412281	1	SOLUTION CONTROL CABLE	NOTE 3	5711144092
27	56420059	1	UPPER STEERING SHAFT		5711144106
28	56454081	1	U JOINT		5711144109
29	56471148	1	SPROCKET H40B11 RE188C		5711144123
30	56497306	1	STEERING WHEEL		5711144126
31	56497560	1	ADAPTER		5711144126
32	56497308	1	CUP		5711144126
33	56497543	1	CAP		5711144126
34	56003155	1	SCR HEX M6 1.0 X 12MM	NOTE 1	5711144004
35	56314877	1	LOWER COLUMN WELDMENT	NOTE 1	5711144057
36	56314093	1	STEERING COLUMN	NOTE 1 TSBUS2007-960	5711144053
37	56314094	1	ROD STEERING LOCK	NOTE 1	5711144053
38	56314148	1	BEARING NYLINER	NOTE 1	5711144054
39	56314195	1	SHAFT LOWER STEERING		5711144054
40	56314295	1	SHROUD LOWER COLUMN		5711144054
41	56314296	1	SHROUD UPPER COLUMN		5711144054

NOTE 1: Used on machines built before serial number 1942864.

NOTE 2: Used on machines built after serial number 1942863.

NOTE 3: Not used on EDS models.

# Steering column assembly - old version

BR 850/950//1050/S-SC

30-05-2011

Part List ID

E136141

59

Pos	Part no.	Qty	Description		EAN
42	56900041	1	PLUG CAP E00046		5711144145
43	56250414	2	BEARING FLANGE .752FA 1J E00201		5711144035
44	56413657	1	COLUMN UPPER	NOTE 2	5711144095
45	56413659	1	LOWER COLUMN WELDMENT	NOTE 2	5711144095
46	56305072	1	SPRING EXTENSION .075	NOTE 2	5711144046
47	56413658	1	RATCHET STEERING COLUMN	NOTE 2	5711144095
48	56002093	1	SCR HEX 1/4 20 X 1.00	NOTE 2	5711144000
49	56002840	1	NUT HEX NYL LOC THIN 1/4 20	NOTE 2	5711144002
50	56003039	2	SCR HEX LOC 1/4 20 X .50	NOTE 2	5711144003
51	56003145	2	NUT HEX JAM SS 1/4 20	NOTE 2	5711144004
52	56003261	1	RING RET EXT TYPE E	NOTE 2	5711144004
53	56413211	2	BEARING FLANGE .625X.500X.250	NOTE 2	5711144093
54	56003436	2	SCR HEX SS M8 1.25X25MM	NOTE 2	5711144005
55	56413664	1	ROD	NOTE 2	5711144095
56	56413661	1	STEERING PAWL WELDMENT	NOTE 2	5711144095

NOTE 1: Used on machines built before serial number 1942864.

NOTE 2: Used on machines built after serial number 1942863.

NOTE 3: Not used on EDS models.

# Wiring diagram before SN chart - old version

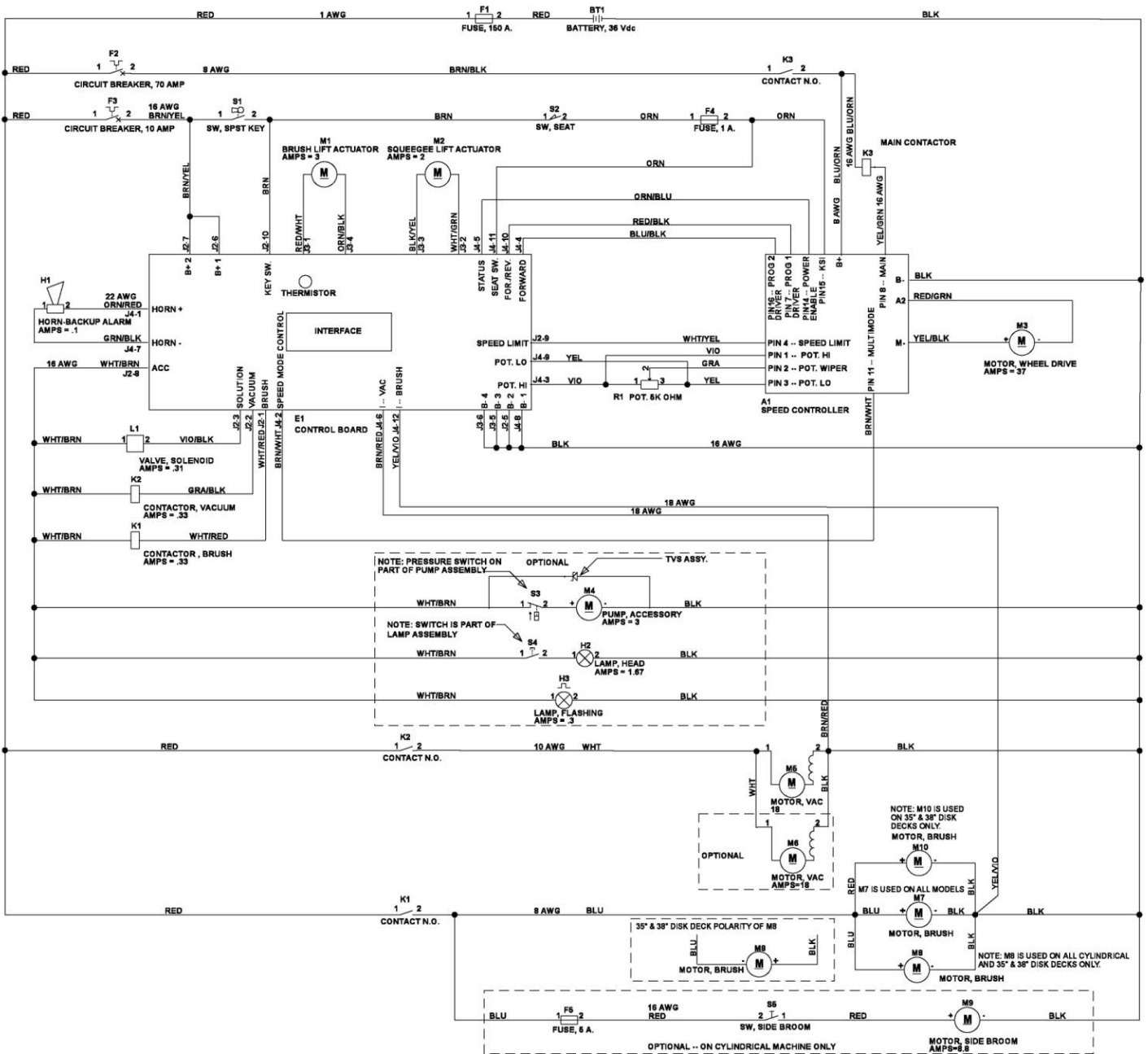
BR 850/950//1050/S-SC

30-05-2011

Part List ID

E136143

60



# Wiring diagram before SN chart - old version

30-05-2011

Part List ID  
E136143

BR 850/950//1050/S-SC

61

Pos	Part no.	Qty	Description	EAN
A1	56314667	1	CONTROLLER SPEED	5711144056
E1	56314665	1	CONTROL PANEL ASSEMBLY	5711144056
E1	56314713	1	PANEL ASSY SCRUBBER	5711144056
			TSBUS2006-932	
E1	56396188	1	SWITCH KEY	5711144078
E1	56396189	1	KEY SPARE	5711144078
F1	56412089	1	FUSE 150 AMP	5711144091
F2	56454429	1	CIRCUIT BREAKER 70A	5711144110
			Wheel drive	
F3	56387316	1	CIRCUIT BREAKER 10A	5711144071
			Control circuit	
H1	56412177	1	HORN BACKUP ALARM	5711144091
H2	56409239	1	HEADLIGHT	5711144084
			optional	
H3	56416433	1	STROBE	5711144098
			optional	
K1	56395453	1	CONTACTOR 36 VOLT 200 AMP	5711144076
K2	56395455	1	CONTACTOR 36 VOLT 100 AMP	5711144076
K3	56395453	1	CONTACTOR 36 VOLT 200 AMP	5711144076
L1	56397215	1	SOLUTION VALVE ASSY.	5711144080
M1	56388520	1	NUT PLASTIC	5711144071
M1	56393303	1	ACTUATOR	5711144075
M1	56393790	2	SWITCH LIMIT	
M1	56470433	1	BRUSH KIT MOTOR	
M2	56397230	1	ACTUATOR MOTOR 36V	5711144080
M3	56390817	1	MOTOR DRIVE WHEEL	5711144072
M3	56412325	1	BRUSH KIT	5711144092
			Not shown	
M4	56109587	1	PUMP HEAD ASSY	5711144021
			Not shown	
M4	56109588	1	CHECK VALVE ASSY	5711144021
			Not shown	
M4	56212014	1	PUMP DC 36V BY PASS	5711144032
			optional	
M5	56212223	1	CARBON BRUSH SET	5711144033
			Not shown	
M5	56410065	1	VAC MOTOR ASSY	5711144086
M6	56212223	1	CARBON BRUSH SET	5711144033
			Not shown	
M6	56410065	1	VAC MOTOR ASSY	5711144086
			optional	
M7	56314335	1	MOTOR GEARBOX ASSY 32	5711144055
			BR 850S / Disk	
M7	56314359	2	KEY 6MM SQUARE	5711144055
			Not shown	
M7	56314499	2	COVER GEARBOX	5711144055
			Not shown	
M7	56314560	2	MOTOVARIO GEARBOX	5711144056
			Not shown	
M7	56314580	1	BALL BEARING OUTPUT SIDE	5711144056
			Not shown	
M7	56314582	1	BRUSH RING	5711144056
			Not shown	
M7	56314583	4	BRUSH	5711144056
			Not shown	
M7	56314584	1	MOTOR GEARBOX ASSEMBLY 24 IN	5711144150
			Not shown	
M7	56314784	1	MOTOR REPLACEMENT 36V 450W	5711144056
			Not shown	
M7	56314785	1	GEARBOX REPLACEMENT	5711144056
			Not shown	
M7	56314786	1	KIT CARBON BRUSH REPLACEMENT	5711144056
			Not shown	

Wiring diagram for Machines built before this Serial Number Chart

1863250 - BR 850

1863255 - BR 950

1863260 - BR 1050

# Wiring diagram before SN chart - old version

BR 850/950//1050/S-SC

30-05-2011

Part List ID

E136143

62

Pos	Part no.	Qty	Description		EAN
M7	56314789	1	MOTOR/BRUSH DRIVE ASSY	BR 950S, BR 1050S Disk	5711144057
M7	56407431	1	MOTOR 36VDC .75HP	All cylindrical	5711144082
M7	56407489	1	ARMATURE	For 56407431 - Not shown	5711144083
M7	56407492	1	BRUSH CAP ASSY	For 56407431 - Not shown	5711144083
M7	56407493	4	BRUSH ASSY sold individually	For 56407431 - Not shown	5711144083
M7	56407494	4	BRUSH COVER CAP	For 56407431 - Not shown	5711144083
M7	56410183	1	BEARING F.E.	For 56407431 - Not shown	5711144087
M7	56412323	1	BALL BEARING BRUSH SIDE	Not shown	5711144092
M8	56314784	1	MOTOR REPLACEMENT 36V 450W	Not shown	5711144056
M8	56314785	1	GEARBOX REPLACEMENT	Not shown	5711144056
M8	56314786	1	KIT CARBON BRUSH REPLACEMENT	Not shown	5711144056
M8	56314789	1	MOTOR/BRUSH DRIVE ASSY	BR 950S, 1050S Disk	5711144057
M8	56407431	1	MOTOR 36VDC .75HP	all Cylindrical	5711144082
M8	56407489	1	ARMATURE	for 56407431 - Not shown	5711144083
M8	56407492	1	BRUSH CAP ASSY	for 56407431 - Not shown	5711144083
M8	56407493	4	BRUSH ASSY sold individually	for 56407431 - Not shown	5711144083
M8	56407494	4	BRUSH COVER CAP	for 56407431 - Not shown	5711144083
M8	56410183	1	BEARING F.E.	for 56407431 - Not shown	5711144087
M9	56469530	1	MOTOR ASSY . 24VOLT	optional	5711144122
R1	56454740	1	POTENTIOMETER 5K		5711144110
S1	56396188	1	SWITCH KEY		5711144078
S1	56396189	1	KEY SPARE	Not shown	5711144078
S2	7-82-00050	1	SWITCH SEAT		5711144181
S3		1	NOTE COMMENT	Switch, Pump (part of M4) - Not available	5701715456
S4		1	NOTE COMMENT	Switch, Side Broom (optional) - Not available	5701715456
S5	56372088	1	SWITCH WATERPROOF	optional	5711144067
BT1		1	NOTE COMMENT	Battery - not available	5701715456
M10	56314784	1	MOTOR REPLACEMENT 36V 450W	Not shown	5711144056
M10	56314785	1	GEARBOX REPLACEMENT	Not shown	5711144056
M10	56314786	1	KIT CARBON BRUSH REPLACEMENT	Not shown	5711144056
M10	56314789	1	MOTOR/BRUSH DRIVE ASSY	BR 950S, 1050S Disk	5711144057

Wiring diagram for Machines built before this Serial Number Chart

1863250 - BR 850

1863255 - BR 950

1863260 - BR 1050

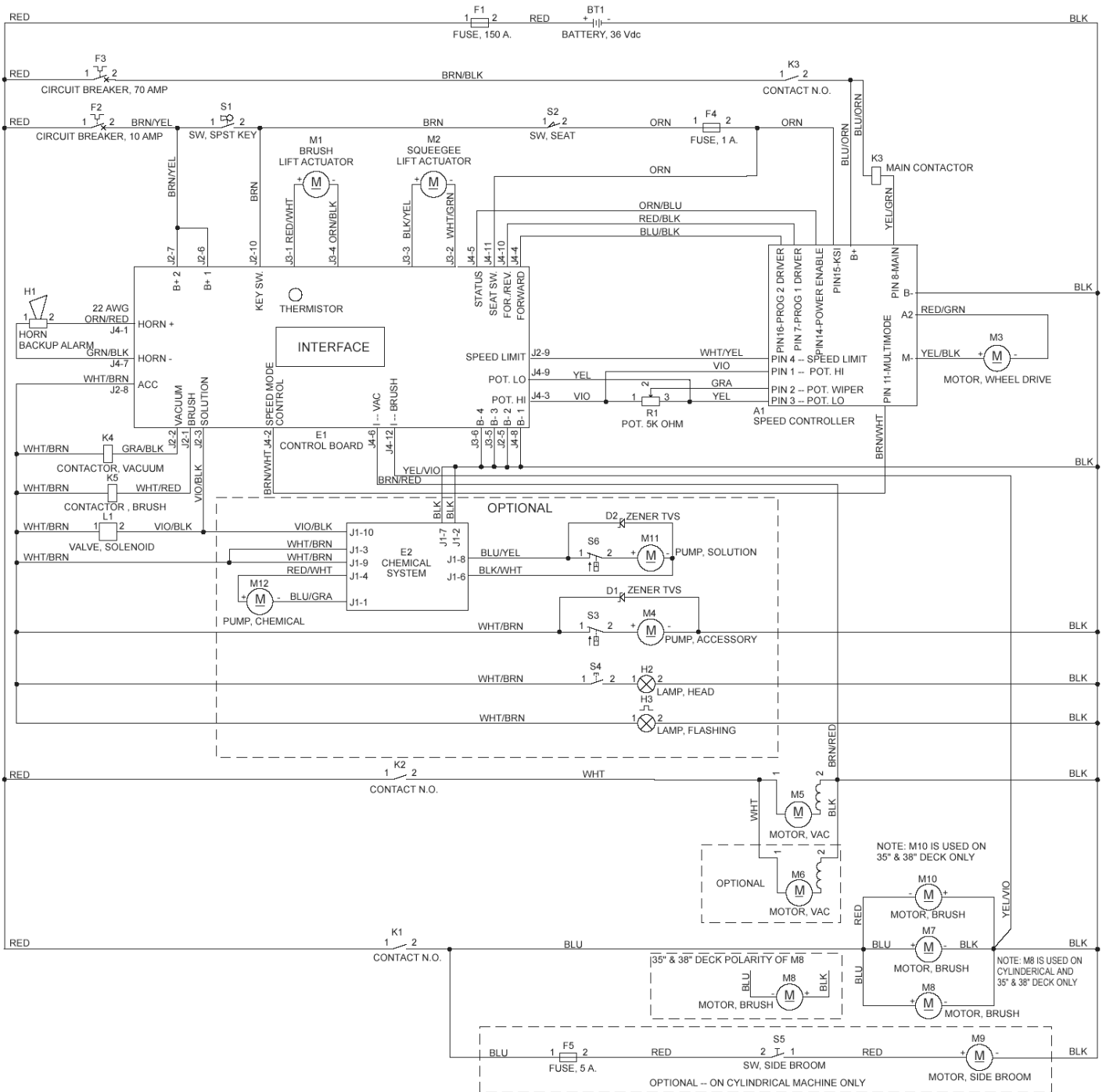
# Wiring diagram after SN chart - old version

30-05-2011

Part List ID  
E136145

BR 850/950//1050/S-SC

63





# Wiring diagram after SN chart - old version

BR 850/950//1050/S-SC

30-05-2011

Part List ID  
E136145

64

Pos	Part no.	Qty	Description		EAN
A1	56314667	1	CONTROLLER SPEED		5711144056
E1	56314665	1	CONTROL PANEL ASSEMBLY		5711144056
E1	56314713	1	PANEL ASSY SCRUBBER	TSBUS2006-932 - Not shown	5711144056
E1	56396188	1	SWITCH KEY	Not shown	5711144078
E1	56396189	1	KEY SPARE	Not shown	5711144078
E2	56316110	1	CONTROL ASSEMBLY	Detergent Injection only - TSBUS2006-922	5711144061
F1	56412089	1	FUSE 150 AMP		5711144091
F2	56387316	1	CIRCUIT BREAKER 10A	Control Circuit	5711144071
F3	56454429	1	CIRCUIT BREAKER 70A	Wheel Drive	5711144110
F4		1	NOTE COMMENT	Fuse, 1 amp - Not available	5701715456
F5		1	NOTE COMMENT	Fuse, 5 amp (Side Broom / optional) - Not availabl	5701715456
H1	56412177	1	HORN BACKUP ALARM		5711144091
H2	56409239	1	HEADLIGHT	optional	5711144084
H3	56416433	1	STROBE	optional	5711144098
K1	56395453	1	CONTACTOR 36 VOLT 200 AMP		5711144076
K2	56395455	1	CONTACTOR 36 VOLT 100 AMP		5711144076
K3	56395453	1	CONTACTOR 36 VOLT 200 AMP		5711144076
L1	56397215	1	SOLUTION VALVE ASSY.		5711144080
M1	56388520	1	NUT PLASTIC	Not shown	5711144071
M1	56393303	1	ACTUATOR		5711144075
M2	56397230	1	ACTUATOR MOTOR 36V		5711144080
M3	56390817	1	MOTOR DRIVE WHEEL		5711144072
M3	56412325	1	BRUSH KIT	Not shown	5711144092
M4	56109587	1	PUMP HEAD ASSY	Not shown	5711144021
M4	56109588	1	CHECK VALVE ASSY	Not shown	5711144021
M4	56212014	1	PUMP DC 36V BY PASS	optional	5711144032
M5	56212223	1	CARBON BRUSH SET	Not shown	5711144033
M5	56410065	1	VAC MOTOR ASSY		5711144086
M6	56212223	1	CARBON BRUSH SET	Not shown	5711144033
M6	56410065	1	VAC MOTOR ASSY	Optional	5711144086
M7	56314335	1	MOTOR GEARBOX ASSY 32	BR 850S/ Disk	5711144055
M7	56314359	2	KEY 6MM SQUARE	Not shown	5711144055
M7	56314499	2	COVER GEARBOX	Not shown	5711144055
M7	56314560	2	MOTOVARIO GEARBOX	Not shown	5711144056
M7	56314580	1	BALL BEARING OUTPUT SIDE	Not shown	5711144056
M7	56314582	1	BRUSH RING	Not shown	5711144056
M7	56314583	4	BRUSH	Not shown	5711144056
M7	56314584	1	MOTOR GEARBOX ASSEMBLY 24 IN	Not shown	5711144150
M7	56314784	1	MOTOR REPLACEMENT 36V 450W	Not shown	5711144056
M7	56314785	1	GEARBOX REPLACEMENT	Not shown	5711144056

Wiring diagram for Machines built after this Serial Number Chart

1863250 - BR 850

1863255 - BR 950

1863260 - BR 1050

# Wiring diagram after SN chart - old version

BR 850/950//1050/S-SC

30-05-2011

Part List ID

E136145

65

Pos	Part no.	Qty	Description		EAN
M7	56314786	1	KIT CARBON BRUSH REPLACEMENT	Not shown	5711144056
M7	56314789	1	MOTOR/BRUSH DRIVE ASSY	BR 950S, 1050S Disk	5711144057
M7	56407431	1	MOTOR 36VDC .75HP	all Cylindrical	5711144082
M7	56407489	1	ARMATURE	for 56407431 - Not shown	5711144083
M7	56407492	1	BRUSH CAP ASSY	for 56407431 - Not shown	5711144083
M7	56407493	4	BRUSH ASSY sold individually	for 56407431 - Not shown	5711144083
M7	56407494	4	BRUSH COVER CAP	for 56407431 - Not shown	5711144083
M7	56410183	1	BEARING F.E.	for 56407431 - Not shown	5711144087
M7	56412323	1	BALL BEARING BRUSH SIDE	Not shown	5711144092
M8	56314784	1	MOTOR REPLACEMENT 36V 450W	Not shown	5711144056
M8	56314785	1	GEARBOX REPLACEMENT	Not shown	5711144056
M8	56314786	1	KIT CARBON BRUSH REPLACEMENT	Not shown	5711144056
M8	56314789	1	MOTOR/BRUSH DRIVE ASSY	BR 950S, 1050S Disk	5711144057
M8	56407431	1	MOTOR 36VDC .75HP	all Cylindrical	5711144082
M8	56407489	1	ARMATURE	for 56407431 - Not shown	5711144083
M8	56407492	1	BRUSH CAP ASSY	for 56407431 - Not shown	5711144083
M8	56407493	4	BRUSH ASSY sold individually	for 56407431 - Not shown	5711144083
M8	56407494	4	BRUSH COVER CAP	for 56407431 - Not shown	5711144083
M8	56410183	1	BEARING F.E.	for 56407431 - Not shown	5711144087
M9	56469530	1	MOTOR ASSY. 24VOLT	optional	5711144122
R1	56454740	1	POTENTIOMETER 5K		5711144110
S1	56396188	1	SWITCH KEY		5711144078
S1	56396189	1	KEY SPARE	Not shown	5711144078
S2	7-82-00050	1	SWITCH SEAT		5711144181
S3		1	NOTE COMMENT	Switch, Pump (Part of M4) - Not available	5701715456
S4		1	NOTE COMMENT	Switch, Headlight (Part of H2) - Not available	5701715456
S5	56372088	1	SWITCH WATERPROOF	Optional	5711144067
S6		1	NOTE COMMENT	Switch, Pump Part of M11) - Not available	5701715456
BT1		1	NOTE COMMENT	Battery - not available	5701715456
M10	56212014	1	PUMP DC 36V BY PASS	Detergent Injection only	5711144032
M10	56314784	1	MOTOR REPLACEMENT 36V 450W	Not shown	5711144056
M10	56314785	1	GEARBOX REPLACEMENT	Not shown	5711144056
M10	56314786	1	KIT CARBON BRUSH REPLACEMENT	Not shown	5711144056
M10	56314789	1	MOTOR/BRUSH DRIVE ASSY	BR 950S, 1050S Disk	5711144057
M11	56212014	1	PUMP DC 36V BY PASS	Detergent Injection only	5711144032
M12	56314984	1	PUMP DETERGENT	Detergent Injection only	5711144058

Wiring diagram for Machines built after this Serial Number Chart

1863250 - BR 850

1863255 - BR 950

1863260 - BR 1050

# Optional kits and accessories 1 - old version

30-05-2011

Part List ID  
E136146

BR 850/950//1050/S-SC

66

Item	Ref. No.	Qty	Description
			<b>Kits</b>
**	56314753	1	Kit, Onboard Charger TSBUS2004-872 / TSBUS2009-1027
**#	56314301	1	Kit, Seat Armrests (for 56314035)
**#	7-03-04249	1	Kit-Seat Armrests (for 8-69-00022)
**	56314302	1	Kit, Warning Beacon
**	56314306	1	Kit, Right Side Broom
**	56314308	1	Kit, Scrub-N-Vac Tool W/Pump
**	56412223	1	Kit, Vacuum Wand Caddy
**	56314312	1	Kit, Seatbelt
**	56314313	1	Kit, Headlight
**	56314715	A/R	Kit, Deck BR 850S
**	56316525	A/R	Kit, Deck BR 850SC
**	56316186	A/R	Kit, Dual Vac Motor, Nilisk

Replacement parts for the kits listed above can be found on each kit's associated instruction sheet.

### BR 850S Squeegee Blade Kits (BEFORE SN1819567)

**	56314060	1	Kit, Standard Squeegee Blade NOTE
**	56314061	1	Kit, Linatex Squeegee Blade NOTE 1
**	56315855	1	Kit, PU Squeegee Blade NOTE 1

### BR 850S / BR 950S Squeegee Blade Kits

**	56314865	1	Kit, Linatex Squeegee Blade NOTE 1
**	56315856	1	Kit, PU Squeegee Blade NOTE 1

### BR 1050S Squeegee Blade Kits

**	56314844	1	Kit, Linatex Squeegee Blade NOTE 1
**	56315978	1	Kit, PU Squeegee Blade NOTE 1

### BR 850S Disk Deck Blade Kits (Before TSBUS2004-884)

**	56314127	1	Kit, Gum Rubber 32 Disk NOTE 2
**	56314173	1	Kit, Neoprene 32 Disk NOTE 2
**	56314398	1	Kit, Linatex 32 Disk NOTE 2
**	56315724	1	Kit, Gum Rubber NOTE 3
**	56315723	1	Kit, Red Gum Rubber NOTE 3

### BR 850S Disk Deck Blade Kits (After TSBUS2004-884)

**	56314914	1	Kit, Gum Rubber 32 Disk NOTE 2
**	56314918	1	Kit, Linatex 32 Disk NOTE 2
**	56315722	1	Kit, Gum Rubber NOTE 3
**	56315721	1	Kit, Red Gum Rubber NOTE 3

### BR 950S Disk Deck Blade Kit

**	56314847	1	Kit, Neoprene 35 Disk NOTE 2
**	56314846	1	Kit, Linatex 35 Disk NOTE 2
**	56315720	1	Kit, Red Gum Rubber NOTE 3

### BR 1050S Disk Deck Blade Kits

**	56314849	1	Kit, Neoprene 38 Disk NOTE 2
**	56314848	1	Kit, Linatex 38 Disk NOTE 2
**	56315720	1	Kit, Red Gum Rubber NOTE 3

### Accessories

**	56409441	A/R	Programmer, 1311 User
**	56409823	A/R	Programmer Cable
**	56044348	A/R	Literature Pack

### Optional Batteries

**	L00200033	1	Battery Complete, 36V, 320A/H
**	L00210020	1	Battery Complete, 36V, 280A/H
**	L00200025	1	Battery Complete, 36V, 240A/H
**	L00210019	1	Battery Complete, 36V, 220A/H
**	80565000	6	Battery Complete, 6V, 255A/H
**	80564000	6	Battery Complete, 6V, 180A/H

### Optional Battery Chargers

**	L00173642	A/R	Battery Charger-UK, 36VDC, Auto, 40Amp, 230VAC/50HZ (used on L00200025, L00200033, 80565000)
**	80569100	A/R	Battery Charger-UK, 36VDC, Auto, 20Amp, 230VAC/50HZ (used on L00210019, 80564000)
**	80569300	A/R	Battery Charger-UK, 36VDC, Auto, 40Amp, 230VAC/50HZ (used on L00210020)
**	L00193642	A/R	Battery Charger-EU, 36VDC, Auto, 40Amp, 230VAC/50HZ (used on L00200025, L00200033, 80565000)
**	80569000	A/R	Battery Charger-EU, 36VDC, Auto, 20Amp, 230VAC/50HZ (used on L00210019, 80564000)
**	80569200	A/R	Battery Charger-EU, 36VDC, Auto, 40Amp, 230VAC/50HZ (used on L00210020)

# = Revised or new since last update

# Optional kits and accessories 1 - old version

30-05-2011

Part List ID  
E136146

BR 850/950//1050/S-SC

67

Pos	Part no.	Qty	Description		EAN
1	56314753	1	KIT ON BOARD CHRGR WET 120V AC	TSBUS2004-872 / TSBUS2009-1027	5711144056
2	56314301	1	KIT SEAT ARMRESTS	FOR 56314035	5711144054
3	7-03-04249	1	ARM REST LH RH	FOR 8-69-00022	5711144162
4	56314302	1	KIT WARNING BEACON		5711144054
5	56314306	1	SIDEBROOM ACCESSORY KIT		5711144054
6	56314308	1	SCRUB N VAC TOOL KIT		5711144054
7	56412223	1	VACUUM WAND CADDY KIT		5711144092
8	56314312	1	KIT SEAT BELT		5711144054
9	56314313	1	HEADLIGHT KIT		5711144054
10	56314715	1	DECK KIT BR850S		5711144056
10	56314715	1	DECK KIT BR850S		5711144056
11	56316525	1	DECK KIT BR850CS		5711144061
12	56316186	1	KIT DUAL VAC MOTOR NILFISK		5711144150
20	56314060	1	BLADE KIT SQUEEGEE GUM C	NOTE 1	5711144053
21	56314061	1	BLADE KIT SQGEE RED GUM C	NOTE 1	5711144053
22	56315855	1	BLADE KIT SQUEEGEE PU C	NOTE 1	5711144061
30	56314865	1	BLADE KIT SQGEE RED GUM D	NOTE 1	5711144057
31	56315856	1	BLADE KIT SQUEEGEE PU D	NOTE 1	5711144061
40	56314844	1	BLADE KIT SQGEE RED GUM E	NOTE 1	5711144057
41	56315978	1	BLADE KIT SQUEEGEE PU E	NOTE 1	5711144061
50	56314127	1	KIT GUM RUBBER 32 DISC	NOTE 2	5711144054
51	56314173	1	KIT NEOPRENE 32 DISC	NOTE 2	5711144054
52	56314398	1	KIT LINATEX 32 DISC	NOTE 2	5711144055
53	56315724	1	BLADE KIT DISC GUM SIDE	NOTE 3	5711144060
53	56315724	1	BLADE KIT DISC GUM SIDE	NOTE 3	5711144060
54	56315723	1	BLADE KIT DISC RED GUM SD	NOTE 3	5711144060
60	56314914	1	BLADE KIT DISC GUM 32	NOTE 2	5711144057
61	56314918	1	KIT LINATEX 32 DISK	NOTE 2	5711144057
62	56315722	1	BLADE KIT DISC GUM SIDE	NOTE 3	5711144060
63	56315721	1	BLADE KIT DISC RED GUM SD	NOTE 3	5711144060
70	56314847	1	BLADE KIT DISC NEO 35	NOTE 2	5711144057

NOTE 1: Squeegee Blade Kits include both front & rear squeegee blades.

NOTE 2: These Disk Deck Blade Kits include required mounting fasteners (Rivet, Nylon Tree Push-In 56003263) the 2 blades (front and rear) for the deck and all skirt assembly blades.

NOTE 3: These Disk Deck Blade Kits include just the blades for use in the two Skirt Assemblies.

All parts is Optional

Pos. 1-12= Kits

Replacement parts for these kits can be found on each kit's associated instruction sheet.

Pos. 20-22= BR 850S Squeegee Blade Kits (BEFORE SN1819567)

Pos. 30-31= BR 850S / BR 950S Squeegee Blade Kits

Pos. 40-41= BR 1050S Squeegee Blade Kits

Pos. 50-54= BR 850S Disk Deck Blade Kits (Before TSBUS2004-884)

Pos. 60-63= BR 850S Disk Deck Blade Kits (After TSBUS2004-884)

Pos. 70-72= BR 950S Disk Deck Blade Kit

Pos. 80-82= BR 1050S Disk Deck Blade Kits

Pos. 90-92= Accessories

Pos. 100-105= Optional Batteries

Pos. 110-115= Optional Battery Chargers

# Optional kits and accessories 1 - old version

30-05-2011

Part List ID  
E136146

BR 850/950//1050/S-SC

68

Pos	Part no.	Qty	Description		EAN
71	56314846	1	BLADE KIT DISC RED GUM 35	NOTE 2	5711144057
72	56315720	1	BLADE KIT DISC RED GUM SD	NOTE 3	5711144060
80	56314849	1	BLADE KIT DISC NEO 38	NOTE 2	5711144057
81	56314848	1	BLADE KIT DISC RED GUM 38	NOTE 2	5711144057
82	56315720	1	BLADE KIT DISC RED GUM SD	NOTE 3	5711144060
90	56409441	1	PROGRAMMER 1311NP USER		5711144084
91	56409823	1	PROGRAMMER CABLE		5711144086
92	56044348	1	LITERATURE PACK		5711144015
100	L00200033	1	BATT.36V-320Ah WET tray w ith Aquamatic		5715492068
101	L00210020	1	BATT.36V-280Ah GEL Single Cells in tray		5715492068
101	L00210020	1	BATT.36V-280Ah GEL Single Cells in tray		5715492068
102	L00200025	1	BATT.36V-240Ah WET tray w ith Aquamatic		5715492068
103	L00210019	1	BATT.36V-220Ah GEL Single Cells in tray		5715492068
103	L00210019	1	BATT.36V-220Ah GEL Single Cells in tray		5715492068
104	80565000	6	BATT. 6V-255Ah WET Semi T Monobloc		5715492068
105	80564000	6	BATT. 6V-180AH GEL MONOBLOC		5715492068
105	80564000	6	BATT. 6V-180AH GEL MONOBLOC		5715492068
110	L00173642	1	CHARGER 36V-40A CPL-UK-SB175G	USED ON L00200025, L00200033, 80565000	
111	80569100	1	CHARGER 36V-20A HF/CPL-UK-SB175G	USED ON L00210019, 80564000	
112	80553640	1	CHARGER HF 36V 40A SB175G	USED ON L00210020	5715492058
112	80553640	1	CHARGER HF 36V 40A SB175G	USED ON L00210020	5715492058
113	L00193642	1	CHARGER 36V-40A CPL-EU-SB175G	USED ON L00200025, L00200033, 80565000	
114	80569000	1	CHARGER 36V-20A HF/CPL-EU-SB175G	USED ON L00210019, 80564000	
115	80569200	1	CHARGER 36V-40A HF/CPL-EU-SB175G	USED ON L00210020	

NOTE 1: Squeegee Blade Kits include both front & rear squeegee blades.

NOTE 2: These Disk Deck Blade Kits include required mounting fasteners (Rivet, Nylon Tree Push-In 56003263) the 2 blades (front and rear) for the deck and all skirt assembly blades.

NOTE 3: These Disk Deck Blade Kits include just the blades for use in the two Skirt Assemblies.

All parts is Optional

Pos. 1-12= Kits

Replacement parts for these kits can be found on each kit's associated instruction sheet.

Pos. 20-22= BR 850S Squeegee Blade Kits (BEFORE SN1819567)

Pos. 30-31= BR 850S / BR 950S Squeegee Blade Kits

Pos. 40-41= BR 1050S Squeegee Blade Kits

Pos. 50-54= BR 850S Disk Deck Blade Kits (Before TSBUS2004-884)

Pos. 60-63= BR 850S Disk Deck Blade Kits (After TSBUS2004-884)

Pos. 70-72= BR 950S Disk Deck Blade Kit

Pos. 80-82= BR 1050S Disk Deck Blade Kits

Pos. 90-92= Accessories

Pos. 100-105= Optional Batteries

Pos. 110-115= Optional Battery Chargers

# Optional kits and accessories 2 - old version

BR 850/950//1050/S-SC

30-05-2011

Part List ID

E136147

69

Item	Ref. No.	Qty	Description	Item	Ref. No.	Qty	Description
<b>BR 850S Disk Scrub Brushes</b>				<b>BR 850S Cylindrical Scrub Brushes</b>			
**#	56505830	2	Short Trim Pad Holder	**#	56407473	2	Soft Nylon
**#	56505195	2	Pad Retainer for 56505750	**#	56407474	2	Hard Nylon
**#	56505831	2	MagnaGrit	**#	56407475	2	Prolene
**#	56505832	2	DynaGrit	**#	56407476	2	180 Grit
**#	56505833	2	AgLite	**#	56407477	2	80 Grit
**#	56505834	2	Prolene	**#	56407478	2	46 Grit
**#	56505835	2	ProLite	<b>BR 950S Cylindrical Scrub Brushes</b>			
**#	56505836	2	Union Mix	**#	56314778	2	Soft Nylon
**#	56505837	2	MidGrit	**#	56314779	2	Hard Nylon
**#	56505838	2	MidLite Grit	**#	56314780	2	Prolene
<b>BR 950S Disk Scrub Brushes</b>				**#	56314781	2	180 Grit
**#	56505750	2	Short Trim Pad Holder	**#	56314782	2	80 Grit
**#	56505195	2	Pad Retainer for 56505750	**#	56314783	2	46 Grit
**#	56505751	2	MagnaGrit	<b>BR 1050S Cylindrical Scrub Brushes</b>			
**#	56505752	2	DynaGrit	**#	56410294	2	Soft Nylon
**#	56505753	2	AgLite	**#	56410295	2	Hard Nylon
**#	56505754	2	Prolene	**#	56410293	2	Prolene
**#	56505755	2	ProLite	**#	56410296	2	180 Grit
**#	56505756	2	Union Mix	**#	56410297	2	80 Grit
**#	56505757	2	MidGrit	**#	56410298	2	46 Grit
**#	56505758	2	MidLite Grit	<b>BR 1050S Disk Scrub Brushes</b>			
**#	56505760	2	Short Trim Pad Holder	** = Optional, Not Included			
**#	56505195	2	Pad Retainer for 56505750	# = Revised or new since last update			
**#	56505761	2	MagnaGrit				
**#	56505762	2	DynaGrit				
**#	56505763	2	AgLite				
**#	56505764	2	Prolene				
**#	56505765	2	ProLite				
**#	56505766	2	Union Mix				
**#	56505767	2	MidGrit				
**#	56505768	2	MidLite Grit				

**NOTE 1:** Squeegee Blade Kits include both front & rear squeegee blades.

**NOTE 2:** These Disk Deck Blade Kits include required mounting fasteners (Rivet, Nylon Tree Push-In 56003263) the 2 blades (front and rear) for the deck and all skirt assembly blades.

**NOTE 3:** These Disk Deck Blade Kits include just the blades for use in the two Skirt Assemblies.

# Optional kits and accessories 2 - old version

30-05-2011

Part List ID  
E136147

BR 850/950//1050/S-SC

70

Pos	Part no.	Qty	Description		EAN
1	56505830	2	PAD HOLDER 16 3 LUG	OPTIONAL	5711144129
2	56505195	2	PAD RETAINER	FOR 56505750 - OPTIONAL	5711144128
3	56505831	2	DISC BRUSH 16 MAGNAGRIT 3 LUG	OPTIONAL	5711144129
4	56505832	2	DISC BRUSH 16 DYNAGRIT 3 LUG	OPTIONAL	5711144129
5	56505833	2	DISC BRUSH 16 AGLITE 3 LUG	OPTIONAL	5711144129
6	56505834	2	DISC BRUSH 16 PROLENE 3 LUG	OPTIONAL	5711144129
7	56505835	2	DISC BRUSH 16 PROLITE 3 LUG	OPTIONAL	5711144129
8	56505836	2	DISC BRUSH 16 UNION MIX 3 LUG	OPTIONAL	5711144129
9	56505837	2	DISC BRUSH 16 MIDGRIT 3 LUG	OPTIONAL	5711144129
10	56505838	2	DISC BRUSH 16 MDLITE 3 LUG	OPTIONAL	5711144129
20	56505750	2	PAD HOLDER 12 3 LUG	OPTIONAL	5711144128
21	56505195	2	PAD RETAINER	FOR 56505750 - OPTIONAL	5711144128
22	56505751	2	DISC BRUSH 12 MAGNAGRIT 3 LUG	OPTIONAL	5711144128
23	56505752	2	DISC BRUSH 12 DYNAGRIT 3 LUG	OPTIONAL	5711144128
24	56505753	2	DISC BRUSH 12 AGLITE 3 LUG	OPTIONAL	5711144128
25	56505754	2	DISC BRUSH 12 PROLENE 3 LUG	OPTIONAL	5711144128
26	56505755	2	DISC BRUSH 12 PROLITE 3 LUG	OPTIONAL	5711144128
27	56505756	2	DISC BRUSH 12 UNION MIX 3 LUG	OPTIONAL	5711144128
28	56505757	2	DISC BRUSH 12 MIDGRIT 3 LUG	OPTIONAL	5711144128
29	56505758	2	DISC BRUSH 12 MDLITE 3 LUG	OPTIONAL	5711144128
30	56505760	2	PAD HOLDER 13 3 LUG	OPTIONAL	5711144128
31	56505195	2	PAD RETAINER	FOR 56505750 - OPTIONAL	5711144128
32	56505761	2	DISC BRUSH 13 MAGNAGRIT 3 LUG	OPTIONAL	5711144128
33	56505762	2	DISC BRUSH 13 DYNAGRIT 3 LUG	OPTIONAL	5711144128
34	56505763	2	DISC BRUSH 13 AGLITE 3 LUG	OPTIONAL	5711144128
35	56505764	2	DISC BRUSH 13 PROLENE 3 LUG	OPTIONAL	5711144128
36	56505765	2	DISC BRUSH 13 PROLITE 3 LUG	OPTIONAL	5711144128
37	56505766	2	DISC BRUSH 13 UNION MIX 3 LUG	OPTIONAL	5711144128
38	56505767	2	DISC BRUSH 13 MIDGRIT 3 LUG	OPTIONAL	5711144128
39	56505768	2	DISC BRUSH 13 MDLITE 3 LUG	OPTIONAL	5711144128
40	56407473	2	BRUSH SOFT NYLON 32 YELLOW	OPTIONAL	5711144083
41	56407474	2	BRUSH HARD NYLON 32 NATURAL	OPTIONAL	5711144083
42	56407475	2	BRUSH POLYPROPYLENE 32 RED	OPTIONAL	5711144083
43	56407476	2	BRUSH 180 GRIT 32 BLUE/GREY	OPTIONAL	5711144083
44	56407477	2	BRUSH 80 GRIT 32 BLACK	OPTIONAL	5711144083
45	56407478	2	BRUSH 46 GRIT 32 ORANGE/BROWN	OPTIONAL	5711144083
50	56314778	2	BRUSH SOFT NYLON 35 YELLOW	OPTIONAL	5711144056
51	56314779	2	BRUSH HARD NYLON 35 NATURAL	OPTIONAL	5711144056
52	56314780	2	BRUSH POLYPROPYLENE 35 RED	OPTIONAL	5711144056
53	56314781	2	BRUSH 180 GRIT 35 BLUE/GREY	OPTIONAL	5711144056
54	56314782	2	BRUSH 80 GRIT 35 BLACK	OPTIONAL	5711144056
55	56314783	2	BRUSH 46 GRIT 35 ORANGE/BROWN	OPTIONAL	5711144056

# Optional kits and accessories 2 - old version

BR 850/950//1050/S-SC

30-05-2011

Part List ID

E136147

71

Pos	Part no.	Qty	Description		EAN
60	56410294	2	BRUSH SOFT NYLON 38 YELLOW	OPTIONAL	5711144088
61	56410295	2	BRUSH HARD NYLON 38 NATURAL	OPTIONAL	5711144088
62	56410293	2	BRUSH POLYPROPYLENE 38 RED	OPTIONAL	5711144088
63	56410296	2	BRUSH 180 GRIT 38 BLUE/GREY	OPTIONAL	5711144088
64	56410297	2	BRUSH 80 GRIT 38 BLACK	OPTIONAL	5711144088
65	56410298	2	BRUSH 46 GRIT 38 ORANGE/BROWN	OPTIONAL	5711144088





# Brush selector guide-disk - old version

BR 850/950//1050/S-SC

30-05-2011

Part List ID

E136148

73

Pos	Part no.	Qty	Description	EAN
1	56505830	1	PAD HOLDER 16 3 LUG	5711144129
2	56505195	1	PAD RETAINER FOR 56505830	5711144128
3	56505831	1	DISC BRUSH 16 MAGNAGRIT 3 LUG	5711144129
4	56505832	1	DISC BRUSH 16 DYNAGRIT 3 LUG	5711144129
5	56505833	1	DISC BRUSH 16 AGLITE 3 LUG	5711144129
6	56505834	1	DISC BRUSH 16 PROLENE 3 LUG	5711144129
7	56505835	1	DISC BRUSH 16 PROLITE 3 LUG	5711144129
8	56505836	1	DISC BRUSH 16 UNION MIX 3 LUG	5711144129
9	56505837	1	DISC BRUSH 16 MIDGRIT 3 LUG	5711144129
10	56505838	1	DISC BRUSH 16 MDLITE 3 LUG	5711144129
11	56505750	1	PAD HOLDER 12 3 LUG	5711144128
12	56505195	1	PAD RETAINER FOR 56505750	5711144128
13	56505751	1	DISC BRUSH 12 MAGNAGRIT 3 LUG	5711144128
14	56505752	1	DISC BRUSH 12 DYNAGRIT 3 LUG	5711144128
15	56505753	1	DISC BRUSH 12 AGLITE 3 LUG	5711144128
16	56505754	1	DISC BRUSH 12 PROLENE 3 LUG	5711144128
17	56505755	1	DISC BRUSH 12 PROLITE 3 LUG	5711144128
18	56505756	1	DISC BRUSH 12 UNION MIX 3 LUG	5711144128
19	56505757	1	DISC BRUSH 12 MIDGRIT 3 LUG	5711144128
20	56505758	1	DISC BRUSH 12 MDLITE 3 LUG	5711144128
21	56505760	1	PAD HOLDER 13 3 LUG	5711144128
22	56505195	1	PAD RETAINER FOR 56505760	5711144128
23	56505761	1	DISC BRUSH 13 MAGNAGRIT 3 LUG	5711144128
24	56505762	1	DISC BRUSH 13 DYNAGRIT 3 LUG	5711144128
25	56505763	1	DISC BRUSH 13 AGLITE 3 LUG	5711144128
26	56505764	1	DISC BRUSH 13 PROLENE 3 LUG	5711144128
27	56505765	1	DISC BRUSH 13 PROLITE 3 LUG	5711144128
28	56505766	1	DISC BRUSH 13 UNION MIX 3 LUG	5711144128
29	56505767	1	DISC BRUSH 13 MIDGRIT 3 LUG	5711144128
30	56505768	1	DISC BRUSH 13 MDLITE 3 LUG	5711144128

Note:

Pos. no.: 1-10 - BR 850S - Brushes

Pos. no.: 11-20 - BR 950S - Brushes

Pos. no.: 21-30 - BR 1050S - Brushes

# Brush selector guide-cylindrical - old version

BR 850/950//1050/S-SC

30-05-2011

Part List ID

E136149

74

We provide brushes and pad holders that will give you the best possible performance between machine and floor. Following are descriptions of the materials and their applications.

- 46 Grit Brush:** Most aggressive grit brush. Used primarily to clean heavy buildup on concrete floors in factories, or for heavy stripping of finish.
- 80 Grit Brush:** Medium aggressive grit brush. Good all-around brush for medium to heavy buildup removal. Can also be used for general stripping operations.
- 180 Grit Brush:** Least aggressive grit brush. Used for daily cleaning of hard-finished floors.
- Polypropylene Brush:** Standard equipment brush. Low cost, yet effective in cleaning many common floor surfaces.
- Stiff Nylon Brush:** Cleaning action similar to polypropylene. More durable and wear-resistant than polypropylene.
- Soft Nylon Brush:** Least aggressive brush available. Used on soft-finish floors where a more aggressive brush would leave scratch marks, or in applications requiring very light cleaning.

## BR 850S BRUSHES

56407473 - Soft Nylon  
 56407474 - Hard Nylon  
 56407475 - Prolene  
 56407476 - 180 Grit  
 56407477 - 80 Grit  
 56407478 - 46 Grit

## BR 950S BRUSHES

56314778 - Soft Nylon  
 56314779 - Hard Nylon  
 56314780 - Prolene  
 56314781 - 180 Grit  
 56314782 - 80 Grit  
 56314783 - 46 Grit

## BR 1050S BRUSHES

56410294 - Soft Nylon  
 56410295 - Hard Nylon  
 56410293 - Prolene  
 56410296 - 180 Grit  
 56410297 - 80 Grit  
 56410298 - 46 Grit

## CYLINDRICAL BRUSH APPLICATION GUIDE (SUGGESTION ONLY)

Application	46 Grit	80 Grit	180 Grit	Polypropylene	Stiff Nylon	Soft Nylon
<b>Stripping:</b>						
Concrete	X	X				
Terrazzo	X	X				
Ceramic/Quarry tile		X				
Vinyl tile		X				
<b>General Scrubbing:</b>						
Concrete	X	X	X	X	X	
Terrazzo			X	X	X	X
Ceramic/Quarry tile			X	X	X	X
Marble			X		X	X
Vinyl tile			X	X	X	X
Raised-rubber tile			X			X

# Brush selector guide-cylindrical - old version

BR 850/950//1050/S-SC

30-05-2011

Part List ID

E136149

75

Pos	Part no.	Qty	Description	EAN
1	56407473	1	BRUSH SOFT NYLON 32 YELLOW	5711144083
2	56407474	1	BRUSH HARD NYLON 32 NATURAL	5711144083
3	56407475	1	BRUSH POLYPROPYLENE 32 RED	5711144083
4	56407476	1	BRUSH 180 GRIT 32 BLUE/GREY	5711144083
5	56407477	1	BRUSH 80 GRIT 32 BLACK	5711144083
6	56407478	1	BRUSH 46 GRIT 32 ORANGE/BROWN	5711144083
11	56314778	1	BRUSH SOFT NYLON 35 YELLOW	5711144056
12	56314779	1	BRUSH HARD NYLON 35 NATURAL	5711144056
13	56314780	1	BRUSH POLYPROPYLENE 35 RED	5711144056
14	56314781	1	BRUSH 180 GRIT 35 BLUE/GREY	5711144056
15	56314782	1	BRUSH 80 GRIT 35 BLACK	5711144056
16	56314783	1	BRUSH 46 GRIT 35 ORANGE/BROWN	5711144056
21	56410294	1	BRUSH SOFT NYLON 38 YELLOW	5711144088
22	56410295	1	BRUSH HARD NYLON 38 NATURAL	5711144088
23	56410293	1	BRUSH POLYPROPYLENE 38 RED	5711144088
24	56410296	1	BRUSH 180 GRIT 38 BLUE/GREY	5711144088
25	56410297	1	BRUSH 80 GRIT 38 BLACK	5711144088
26	56410298	1	BRUSH 46 GRIT 38 ORANGE/BROWN	5711144088

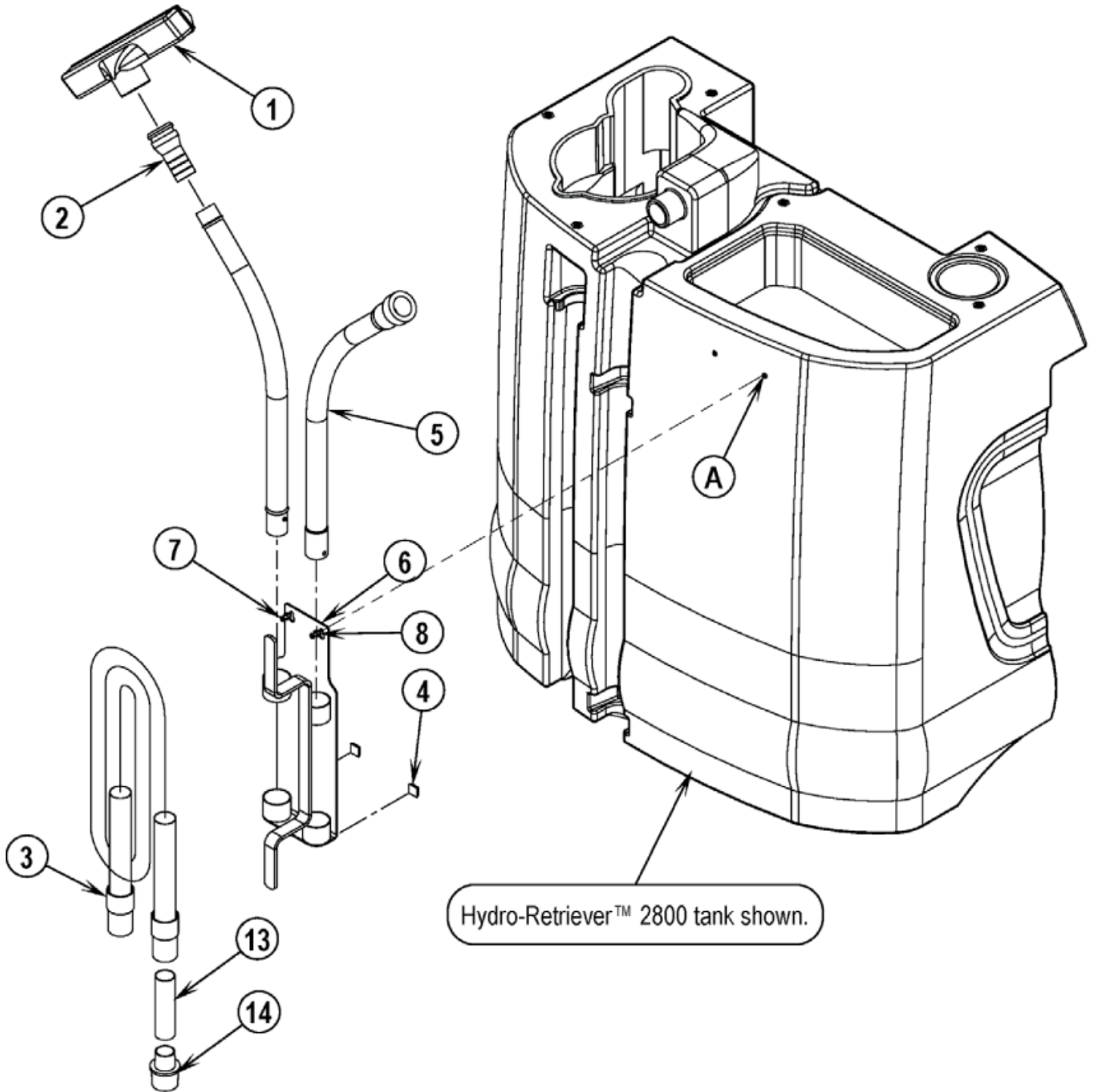
# 56412223 - Vacuum Wand Caddy Kit with inserts A

BR 850/950//1050/S-SC

30-05-2011

Part List ID  
IS56040686A

76



# 56412223 - Vacuum Wand Caddy Kit with inserts A

BR 850/950//1050/S-SC

30-05-2011

Part List ID

IS56040686A

77

Pos	Part no.	Qty	Description	EAN
	56040686	1	INSTRUCTION SHEET	5711144014
1	56205114	1	SQUEEGEE TOOL 14AS	5711144030
2	56301339	1	1.5 COUPLER	5711144040
3	56329062	1	VAC HOSE 1.50	5711144065
4	56402940	2	BUMPER .812 SQ CR666	5711144081
5	56409563	1	WAND 2 PIECE	5711144085
6	56412227	1	CADDY WELDT	5711144092
7	56002124	2	SCREW10 24 X .62 PNH PH	5711144000
8	56412310	2	BUSHING STEPPED	5711144092
13	56204536	1	COUPLER EXTENSION HP63	5711144030

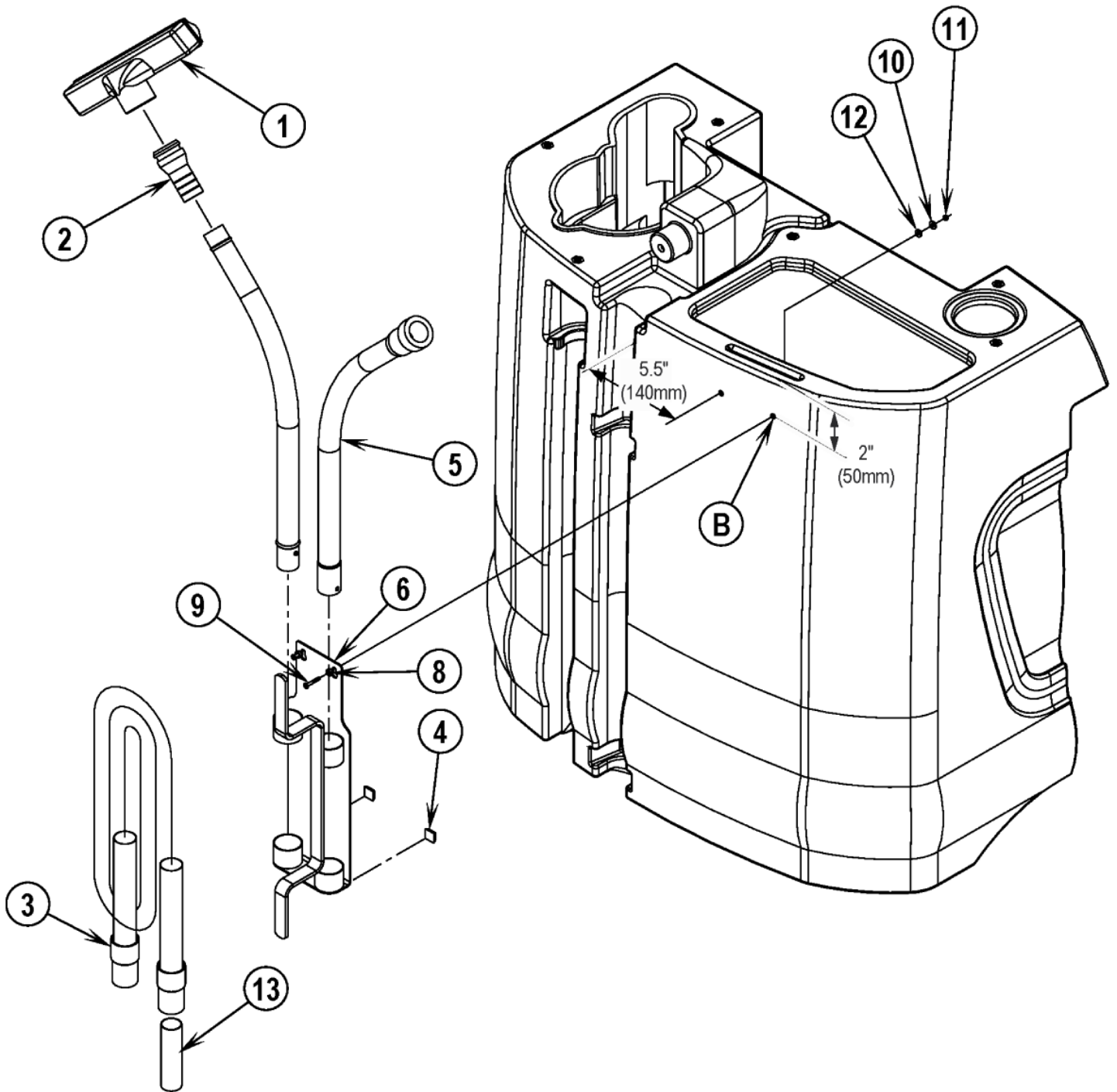
# 56412223 - Vacuum Wand Caddy Kit without inserts

BR 850/950//1050/S-SC

30-05-2011

Part List ID  
IS56040686B

78



# 56412223 - Vacuum Wand Caddy Kit without inserts

BR 850/950//1050/S-SC

30-05-2011

Part List ID  
IS56040686B

79

Pos	Part no.	Qty	Description	EAN
	56040686	1	INSTRUCTION SHEET	5711144014
1	56205114	1	SQUEEGEE TOOL 14AS	5711144030
2	56301339	1	1.5 COUPLER	5711144040
3	56329062	1	VAC HOSE 1.50	5711144065
4	56402940	2	BUMPER .812 SQ CR666	5711144081
5	56409563	1	WAND 2 PIECE	5711144085
6	56412227	1	CADDY WELDT	5711144092
8	56412310	2	BUSHING STEPPED	5711144092
9	56003286	2	SCR PAN PHIL SS 10 24 X1.25	5711144005
10	56009205	2	WSH FLT SS .219X.500X.047/.062	5711144008
11	56002836	2	NUT HEX NYL LOC SS 10 24	5711144002
13	56204536	1	COUPLER EXTENSION HP63	5711144030



# 56314308 - Scrub-N-Vac Tool Kit

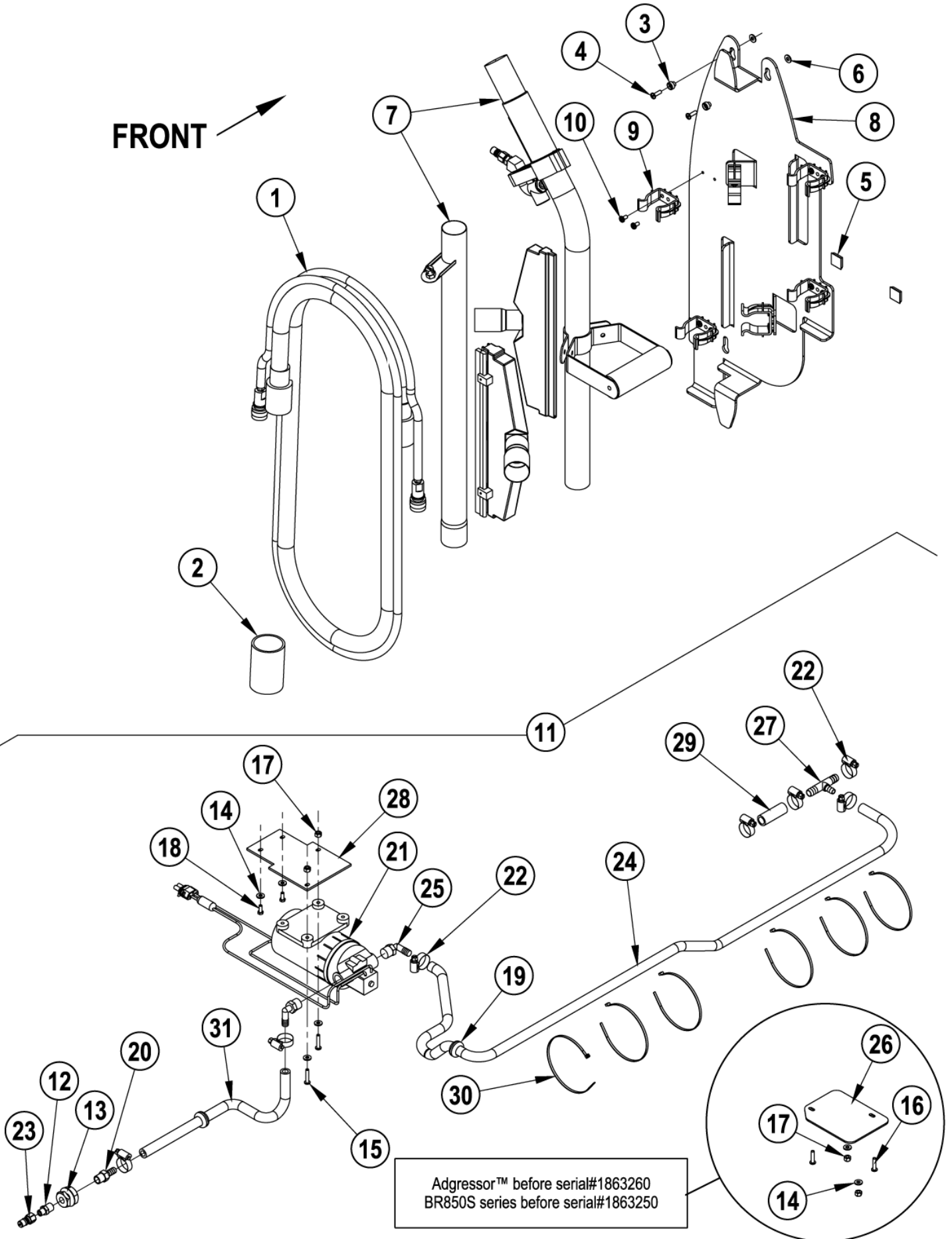
BR 850/950//1050/S-SC

30-05-2011

Part List ID  
IS56040783

80

FRONT



# 56314308 - Scrub-N-Vac Tool Kit

BR 850/950//1050/S-SC

30-05-2011

Part List ID  
IS56040783

81

Pos	Part no.	Qty	Description	EAN	
	56040783	1	INSTRUCTION SHEET	5711144014	
1	56220035	1	HOSE ASSY.	5711144033	
2	56314399	1	COUPLER	5711144055	
3	56412310	3	BUSHING STEPPED	5711144092	
4	56002124	3	SCREW10 24 X .62 PNH PH	5711144000	
5	56402940	2	BUMPER .812 SQ CR666	NOTE	5711144081
6	56009205	2	WSH FLT SS .219X.500X.047/.062		5711144008
7	56314402	1	WAND ASSEMBLY		5711144055
8	56314403	1	CADDY	NOTE	5711144055
9	56407361	6	CLAMP PLASTIC	NOTE	5711144082
10	56009030	12	SCR PAN PHIL THD FOM 10 24X.38	NOTE	5711144007
11	56314309	1	PUMP ASSEMBLY		5711144054
12	56220074	1	IMPERIAL NIPPLE		5711144033
13	56745543	1	ADAPTER BLKHD 1/4 AC230N		5711144144
14	56001954	6	WSH FLT SAE 10		5711144000
15	56002674	2	SCR PAN PHIL 10 24 X 1.00		5711144002
16	56002733	2	002733N PHIL 10 24 X .88		5711144002
17	56002768	4	NUT HEX NYL LOC 10 24		5711144002
18	56009039	2	SCR HEX THD FORM 10 24X .50		5711144007
19	56052338	2	GROMMET E00059		5711144016
20	56155640	1	BARB 3/8X1/4 BRASS E00039		5711144028
21	56212014	1	PUMP DC 36V BY PASS		5711144032
22	56219932	7	CLAMP HOSE SAE 6 E00047		5711144033
23	56220055	1	PLUG		5711144033
24	56314432	1	HOSE SPIRAL .375 X 63.00		5711144055
25	56900035	2	ELBOW BARB E00037		5711144145
26	56314644	1	ADAPTER PLATE		5711144056
27	56315335	1	TEE BARB		5711144059
28	56316560	1	PLATE PUMP		5711144061
29	56396330	1	HOSE PVC .500X2.00 E00199		5711144078
30	56478523	6	CABLE TIE E00549		5711144124
31	56755327	1	TUBE VINYL 14.00L E00603		5711144144

NOTE: Items (5, 8, 9 & 10) are pre-assembled

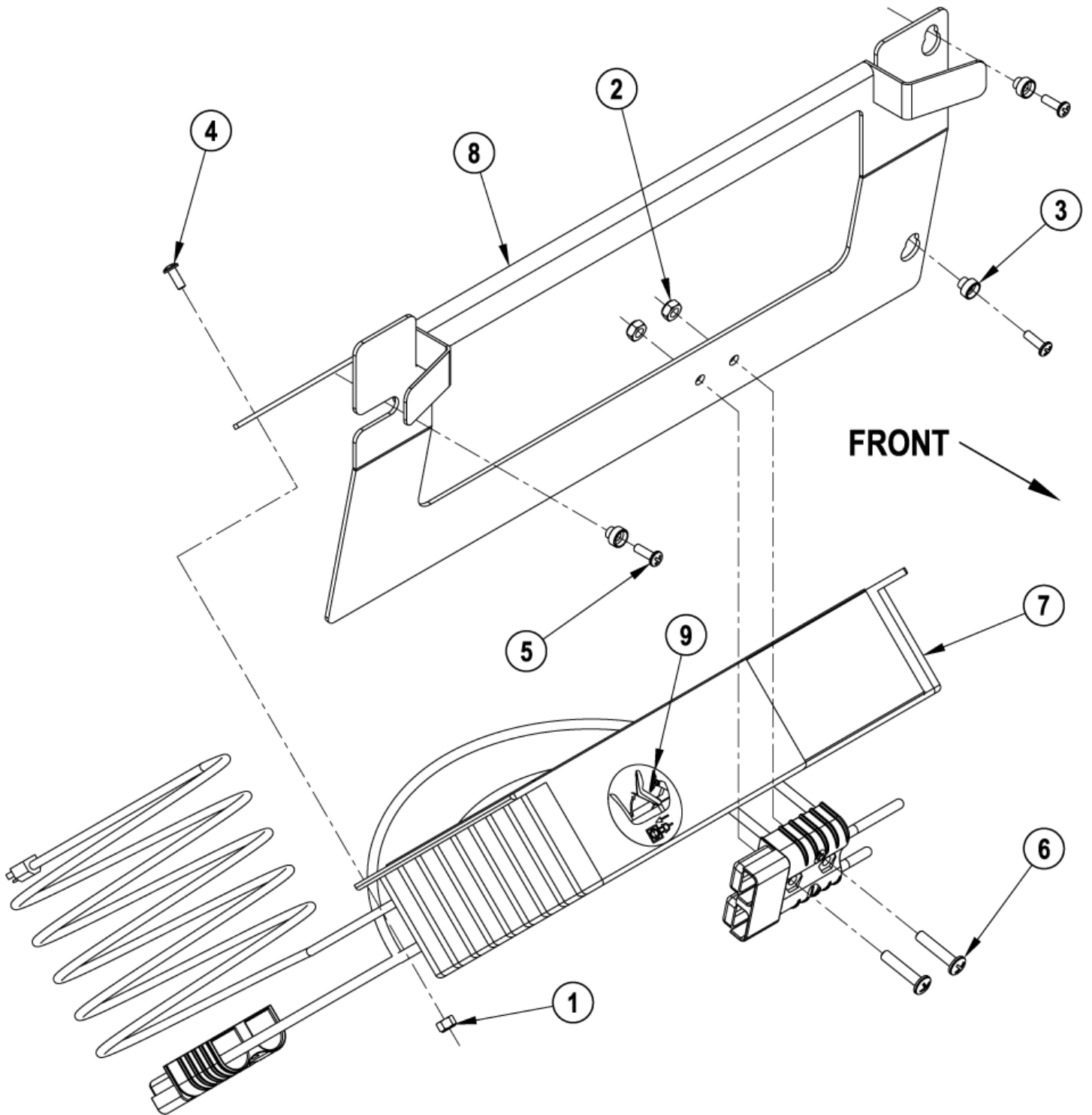
# 1462112000 - On Board Charger kit

BR 850/950//1050/S-SC

30-05-2011

Part List ID  
IS56040787

82



# 1462112000 - On Board Charger kit

BR 850/950//1050/S-SC

30-05-2011

Part List ID

IS56040787

83

Pos	Part no.	Qty	Description	EAN
	56040787	1	INSTRUCTION SHEET	5711144014
1	56002768	6	NUT HEX NYL LOC 10 24	5711144002
2	56002840	2	NUT HEX NYL LOC THIN 1/4 20	5711144002
3	56412310	3	BUSHING STEPPED	5711144092
4	56001993	6	SCREW 10 24 X 0.5 ZINC PL	5711144000
5	56002124	3	SCREW 10 24 X .62 PNH PH	5711144000
6	56002825	2	SCR PAN PHIL 1/4 20 X 1.25	5711144002
7	146 2113 000	1	CHARGER BATTERY 36V 25A ADVENGER/BR/BRX	5711140042
8	146 2110 000	1	BUCKET, BATT.CHARGER	
9	56380253	1	DECAL OPEN WHEN CHARGING	5711144153

NOTE: All items except 3 and 5 are pre-assembled.

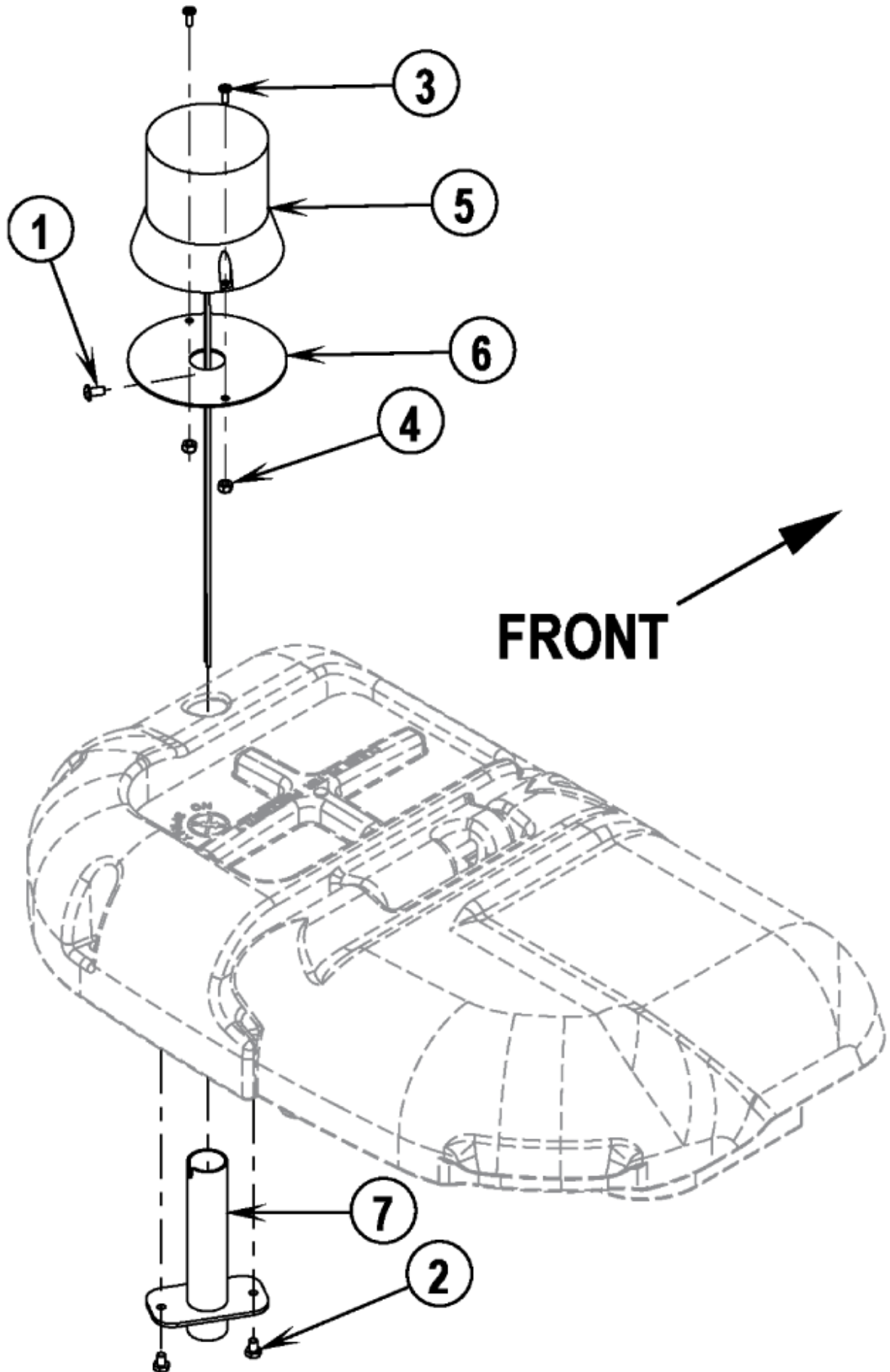
# 56314302 - Warning Beacon Kit, before May 2008

BR 850/950//1050/S-SC

30-05-2011

Part List ID  
IS56040788P1

84



# 56314302 - Warning Beacon Kit, before May 2008

BR 850/950//1050/S-SC

30-05-2011

Part List ID  
IS56040788P1

85

Pos	Part no.	Qty	Description	EAN
	56040788	1	INSTRUCTION SHEET	5711144014
1	56003119	1	SCR PAN PHIL SS 1/4 20 X .50	5711144004
1	56003119	1	SCR PAN PHIL SS 1/4 20 X .50	5711144004
2	56001861	2	SCR HEX 1/4 20 X .38	5711144000
3	56001993	2	SCREW 10 24 X 0.5 ZINC PL	5711144000
4	56002768	2	NUT HEX NYL LOC 10 24	5711144002
5	56416433	1	STROBE	5711144098
6	56314287	1	PLATE WELDMENT	5711144054
7	56314288	1	TUBE WELDMENT	5711144054

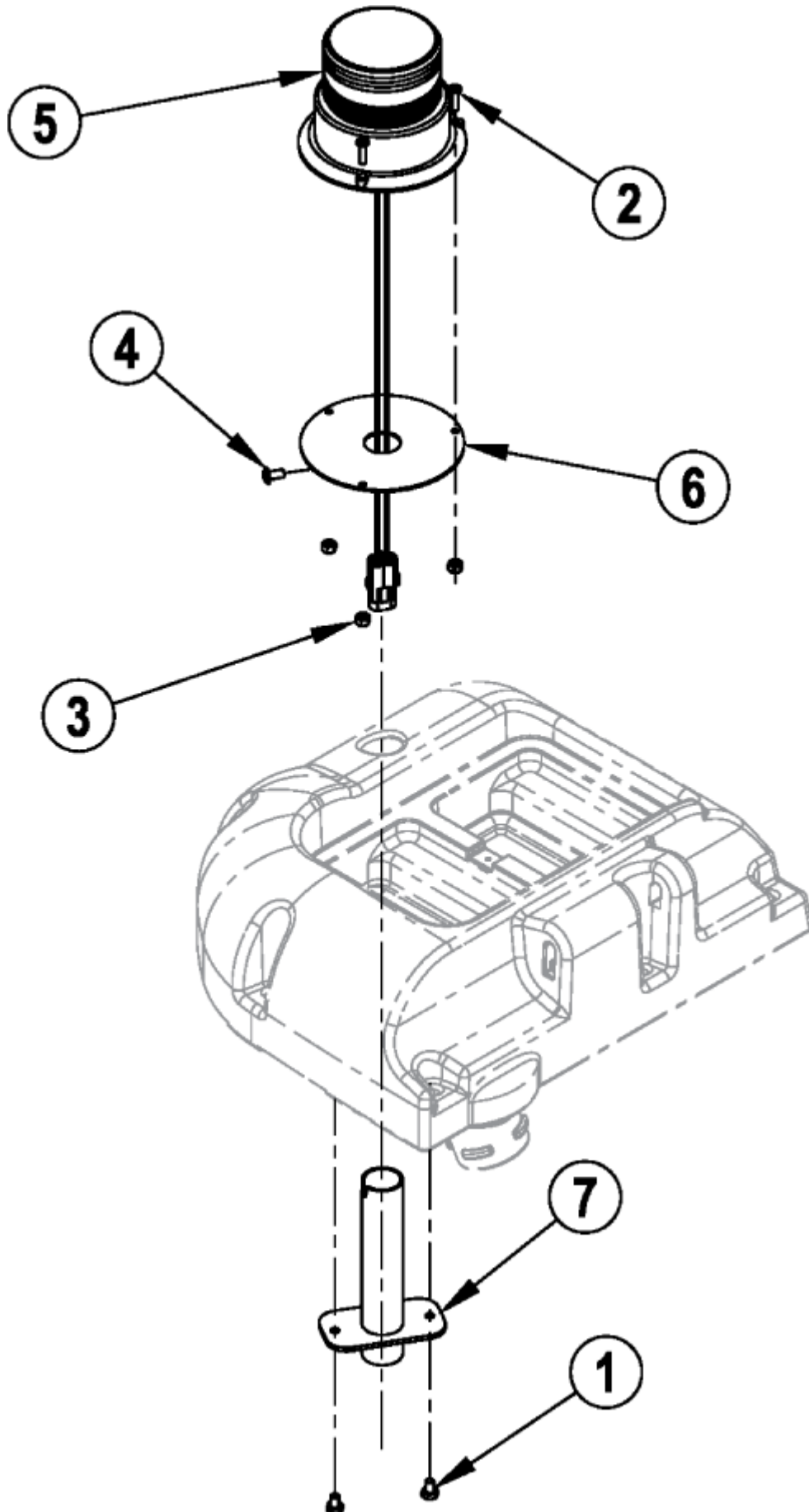
# 56314302 - Warning Beacon Kit, after April 2008

BR 850/950//1050/S-SC

30-05-2011

Part List ID  
IS56040788P4

86



# 56314302 - Warning Beacon Kit, after April 2008

BR 850/950//1050/S-SC

30-05-2011

Part List ID  
IS56040788P4

87

Pos	Part no.	Qty	Description	EAN
	56040788	1	INSTRUCTION SHEET	5711144014
1	56001861	2	SCR HEX 1/4 20 X .38	5711144000
2	56002192	3	SCR PAN PHIL 10 24 X .75	5711144001
3	56002768	3	NUT HEX NYL LOC 10 24	5711144002
4	56003119	1	SCR PAN PHIL SS 1/4 20 X .50	5711144004
4	56003119	1	SCR PAN PHIL SS 1/4 20 X .50	5711144004
5	56109520	1	STROBE	5711144021
6	56314287	1	PLATE WELDMENT	5711144054
7	56314288	1	TUBE WELDMENT	5711144054



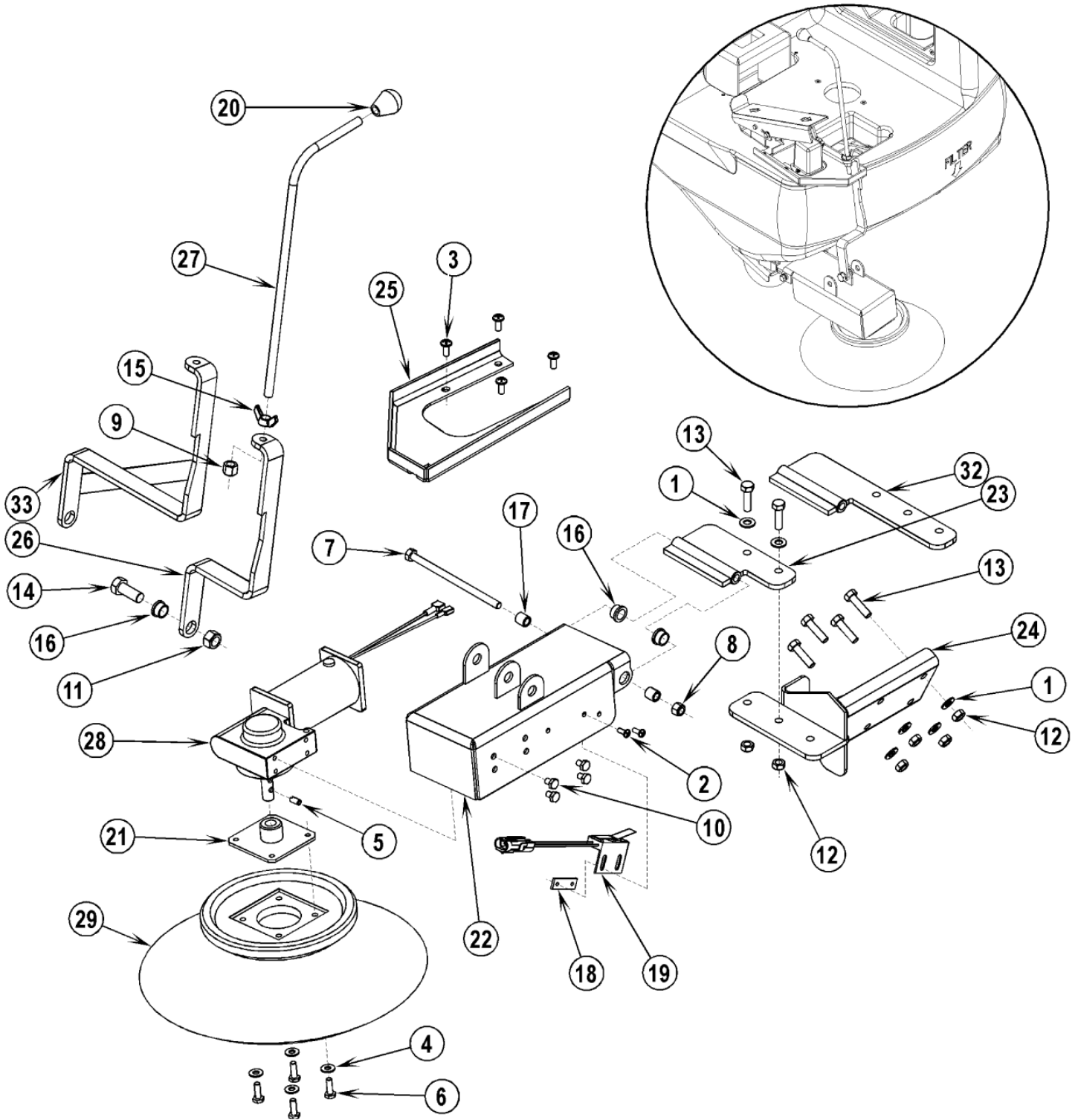
# 56314306 - Right side Broom Kit

BR 850/950//1050/S-SC

30-05-2011

Part List ID  
IS56040789

88



# 56314306 - Right side Broom Kit

BR 850/950//1050/S-SC

30-05-2011

Part List ID  
IS56040789

89

Pos	Part no.	Qty	Description		EAN
	56040789	1	INSTRUCTION SHEET		5711144014
1	56001939	6	WSH FLT SAE 5/16		5711144000
2	56001993	2	SCREW 10 24 X 0.5 ZINC PL	NOTE 2	5711144000
3	56002066	4	SCR PAN PHIL 1/4 20 X .62		5711144000
4	56002098	4	WSH FLT SAE 1/4	NOTE 2	5711144000
5	56002119	1	SCR SOC SET LOC 1/4 20 X .50	NOTE 2	5711144000
6	56002155	4	SCR HEX 1/4 20 X .75	NOTE 2	5711144001
7	56002691	1	SCR HEX 5/16 18 X 5.50		5711144002
8	56002701	1	NUT HEX NYL LOC 5/16 18		5711144002
9	56002769	1	NUT HEX NYL LOC 3/8 16	NOTE 1	5711144002
10	56002933	4	SCR HEX LOC 1/4 20 X .38	NOTE 2	5711144003
11	56003312	1	NUT HEX NYL LOC M12 1.75		5711144005
12	56003389	6	NUT HEX NYL LOC M8X1.25		5711144005
13	56003416	6	SCR HEX M8 1.25 X 30MM		5711144005
14	56003418	1	SCR HEX M12 1.75 X 30MM		5711144005
15	56009252	1	NUT WING SS 3/8 16	NOTE 1	5711144008
16	56185264	3	BEARING FLANGE E00201		5711144029
17	56228052	2	BUSHING .31X.50X.53FC105C		5711144033
18	56324310	1	NUT PLATE	NOTE 2	5711144064
19	56372088	1	SWITCH WATERPROOF	NOTE 2	5711144067
20	56378534	1	KNOB 1.12X3/8 16 CR29C	NOTE 1	5711144068
21	56314095	1	BRUSH HOLDER WELDMENT	NOTE 2	5711144053
22	56314167	1	SIDEBROOM ARM WELDMENT	NOTE 2	5711144054
23	56314174	1	PIVOT WELDMENT		5711144054
24	56314178	1	BRACKET WELDMENT		5711144054
25	56314190	1	BRACKET LIFT		5711144054
26	56314194	1	BAR LIFT	NOTE 1	5711144054
27	56314198	1	ROD LIFT	NOTE 1	5711144054
28	56469530	1	MOTOR ASSY. 24VOLT	NOTE 2	5711144122
29	145 1899 000	1	BROOM SIDE 180X420 PPL 0.8	NOTE 2	5715492038
30	56314259	1	HARNESS SIDEBROOM		5711144054
31	56478246	1	CABLE TIE E00549 RE438BA		5711144124
32	56316315	1	PIVOT WELDMENT	NOTE 3	5711144061
33	56316335	1	BAR LIFT WELDMENT	NOTE 3	5711144061
34	56003716	1	WSH FLT SS .344 X 1.500 X .08		5711144006

NOTE 1 = These items are pre-assembled together to create the "Lift Bar Assembly" (D).

NOTE 2 = These items are pre-assembled together to create the "Broom/Motor Assembly" (A).

NOTE 3 = These two items are only used on models with a 35" & 38" size deck (BR 950/1050).

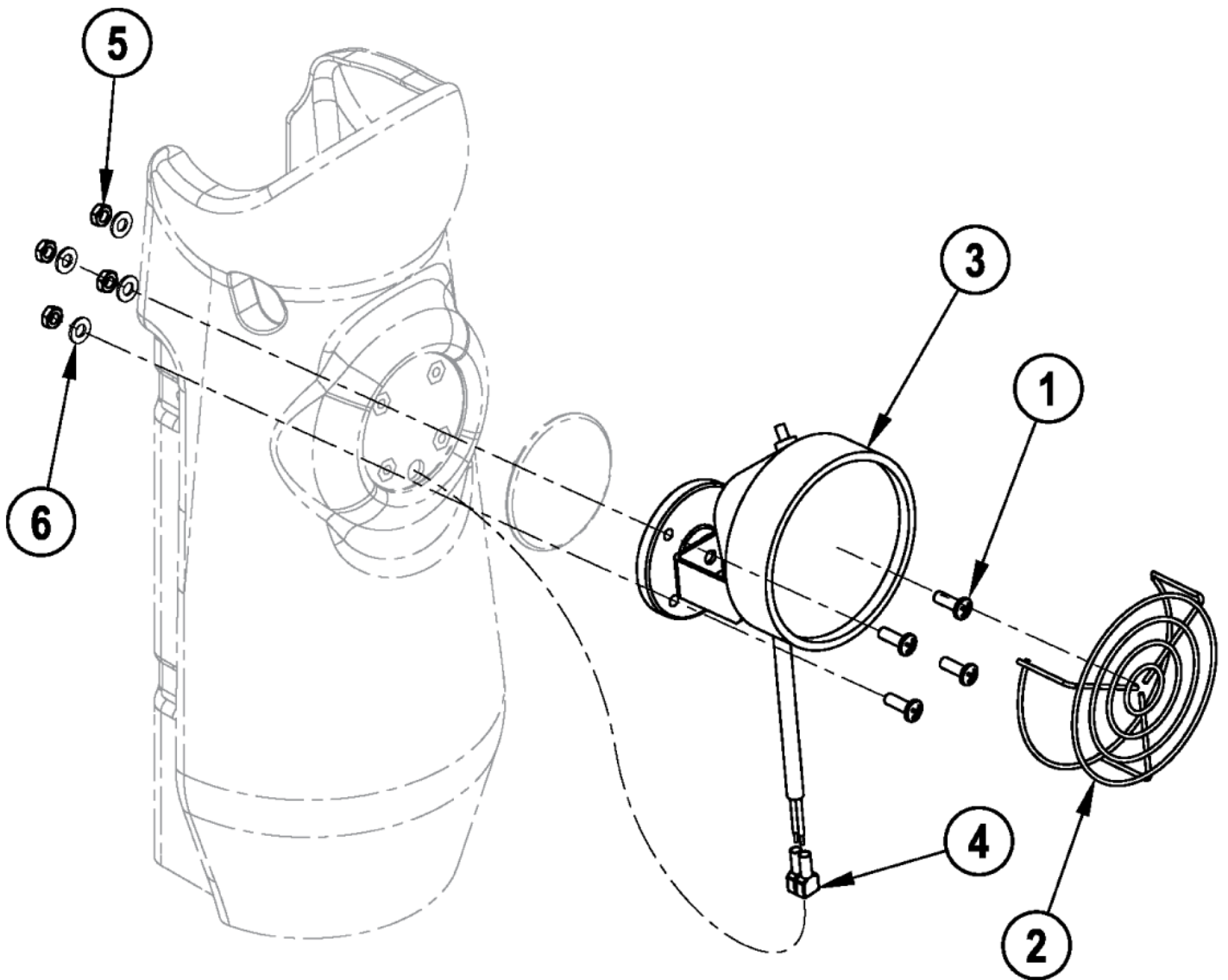
# 56314313 - Headlight Kit

BR 850/950//1050/S-SC

30-05-2011

Part List ID  
IS56040791

90



# 56314313 - Headlight Kit

BR 850/950//1050/S-SC

30-05-2011

Part List ID

IS56040791

91

Pos	Part no.	Qty	Description	EAN
	56040791	1	INSTRUCTION SHEET	5711144014
1	56002292	4	SCR PAN PHIL 1/4 20 X 1.00	5711144001
2	56409557	1	GUARD HEADLIGHT	5711144085
3	56409239	1	HEADLIGHT	5711144084
4	56172230	2	TERM. .250 INS. TAB	5711144029
5	56002840	4	NUT HEX NYL LOC THIN 1/4 20	5711144002
6	56002098	4	WSH FLT SAE 1/4	5711144000

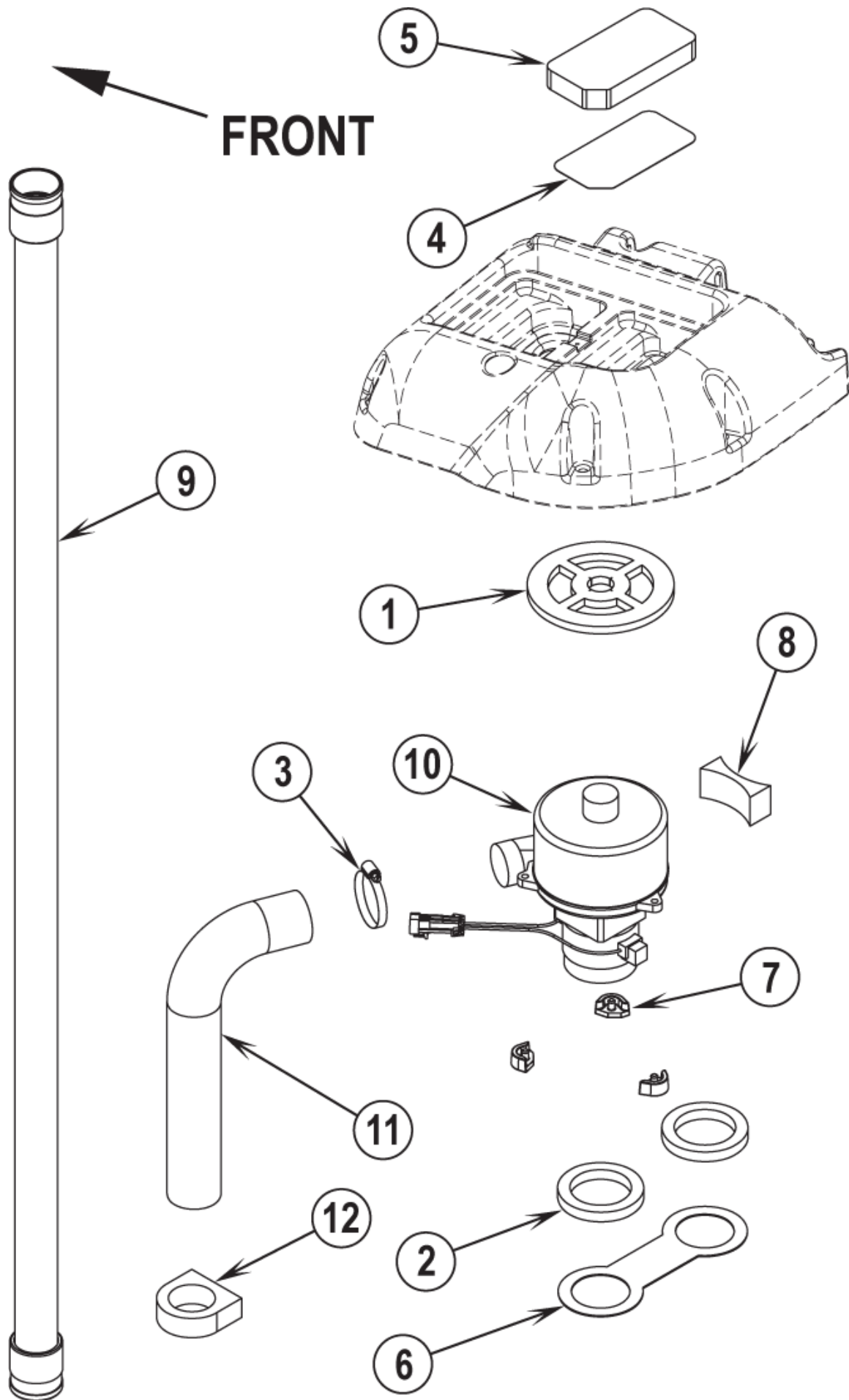
# 56314338 - Dual Vac Motor Kit

BR 850/950//1050/S-SC

30-05-2011

Part List ID  
IS56040792

92



# 56314338 - Dual Vac Motor Kit

BR 850/950//1050/S-SC

30-05-2011

Part List ID  
IS56040792

93

Pos	Part no.	Qty	Description	EAN
	56040792	1	INSTRUCTION SHEET	5711144014
1	56314704	1	GASKET	5711144056
2	56314760	2	GASKET VACUUM DUCT	5711144056
3	56440213	1	CLAMP HOSE SAE 32E00047	#32 5711144107
4	56314372	1	SCREEN FILTER	5711144055
5	56314373	1	FILTER	5711144055
6	56314377	1	PLATE SEPARATOR 2 MOTOR	2 MTR 5711144055
7	56314484	3	MOUNT VIBRATION	5711144055
8	56314708	1	FOAM SPACER	5711144056
9	56314535	1	VAC HOSE ASSY. 1.75	5711144055
10	56397228	1	MOTOR VAC 36VDC	5711144080
11	56459937	1	HOSE VAC 2.00 X 20 BLACK	5711144117
12	56314761	1	GASKET HOSE	5711144056

# 56314715 - Kit, Deck BR 850S

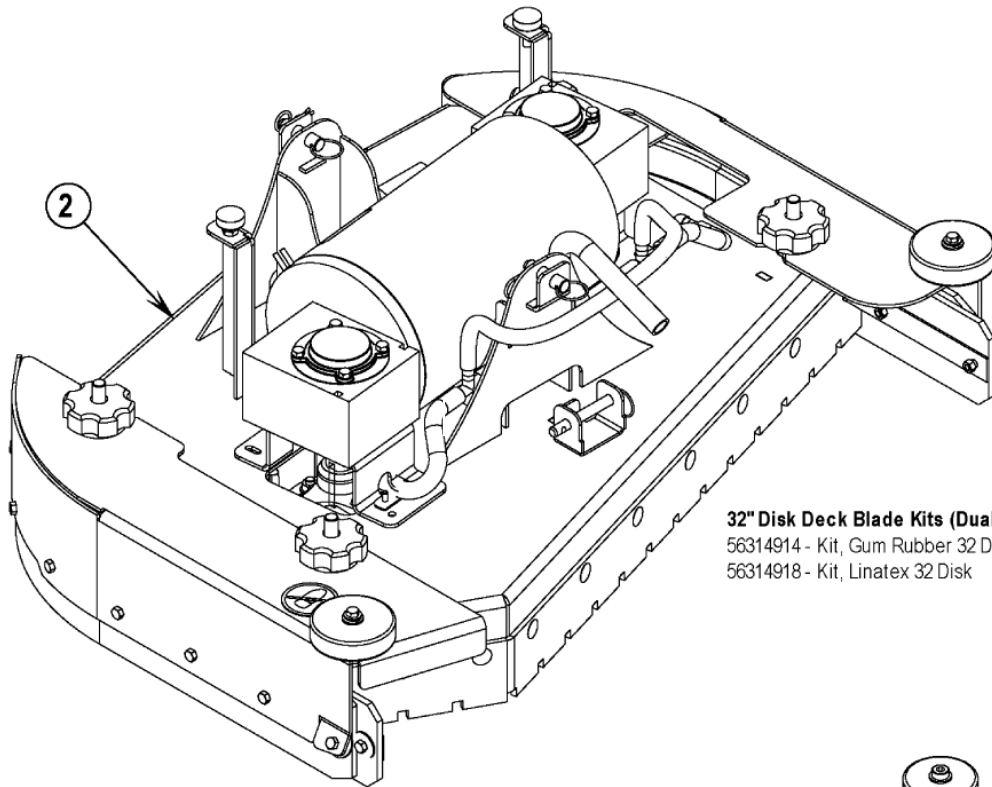
BR 850/950//1050/S-SC

30-05-2011

Part List ID  
IS56040833P15

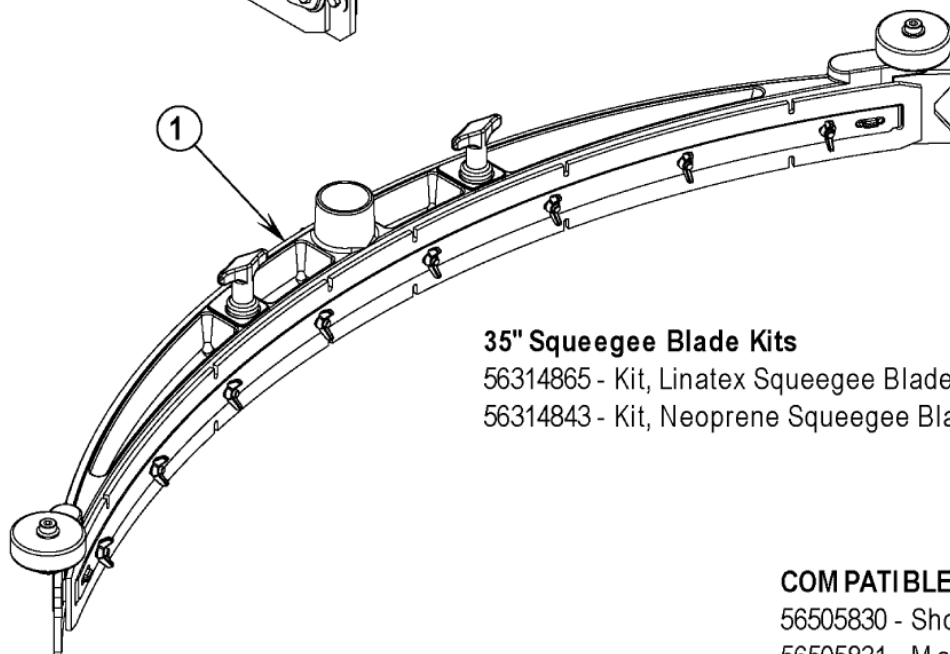
94

## 56314715 - Kit, Deck BR 850S



### 32" Disk Deck Blade Kits (Dual Blade)

56314914 - Kit, Gum Rubber 32 Disk  
56314918 - Kit, Linatex 32 Disk



### 35" Squeegee Blade Kits

56314865 - Kit, Linatex Squeegee Blade  
56314843 - Kit, Neoprene Squeegee Blade

### COMPATIBLE 32" BRUSHES

56505830 - Short Trim Pad Holder  
56505831 - Magna Grit  
56505832 - Dyna Grit  
56505833 - AgLite Grit  
56505834 - Prolene  
56505835 - ProLite  
56505836 - Union Mix  
56505837 - MidGrit  
56505838 - MidLite Grit

Item	Ref. No.	Qty	Description
	56314715	1	Kit, Deck BR 850S
*	56040833	1	Instruction Sheet
1	56314697	1	Squeegee Assembly
2	56314716	1	32" Disk Deck Assembly

# 56314715 - Kit, Deck BR 850S

BR 850/950//1050/S-SC

30-05-2011

Part List ID  
IS56040833P15

95

Pos	Part no.	Qty	Description	EAN
	56040833	1	INSTRUCTION SHEET	5711144014
1	56314697	1	SQUEEGEE ASSEMBLY D	5711144056
2	56314716	1	32 DISC DECK ASSY	5711144056



# 56316525 - Kit, Deck BR 850S

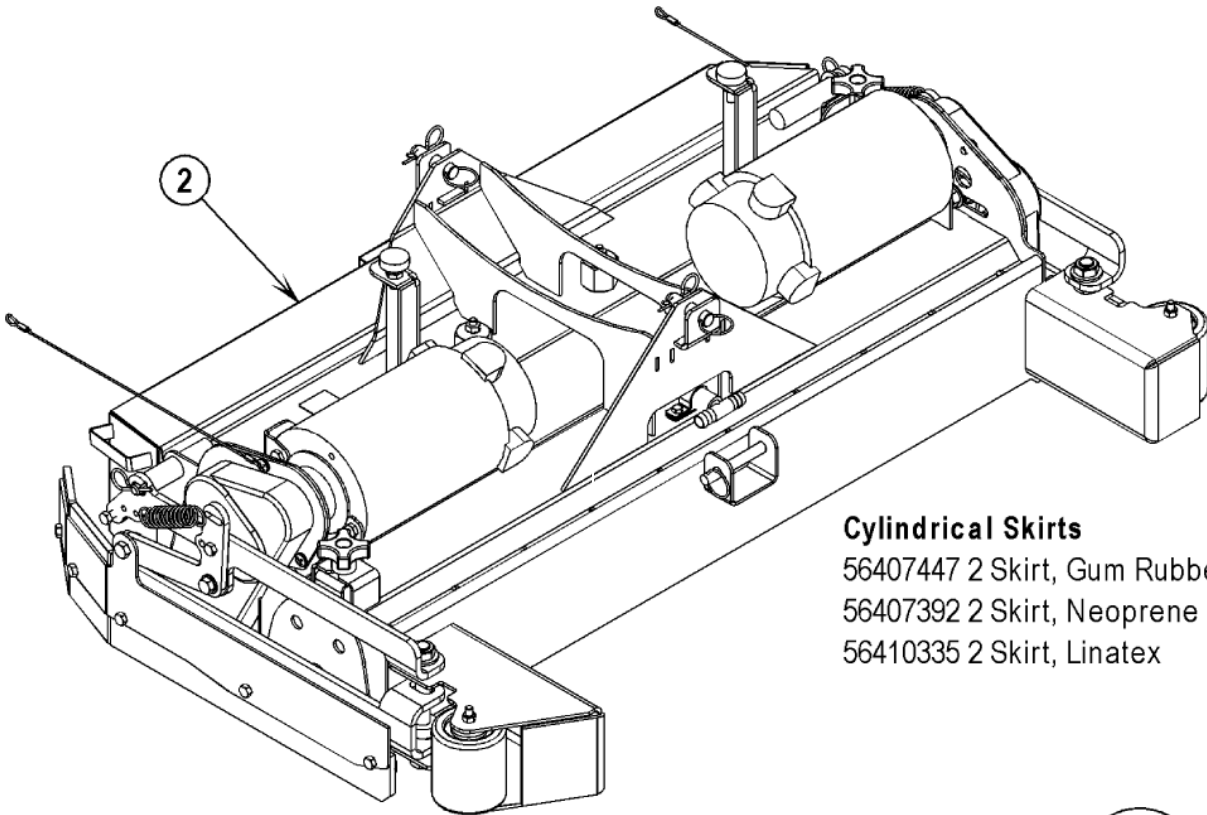
BR 850/950//1050/S-SC

30-05-2011

Part List ID  
IS56040833P16

96

## 56316525 - Kit, Deck BR 850SC

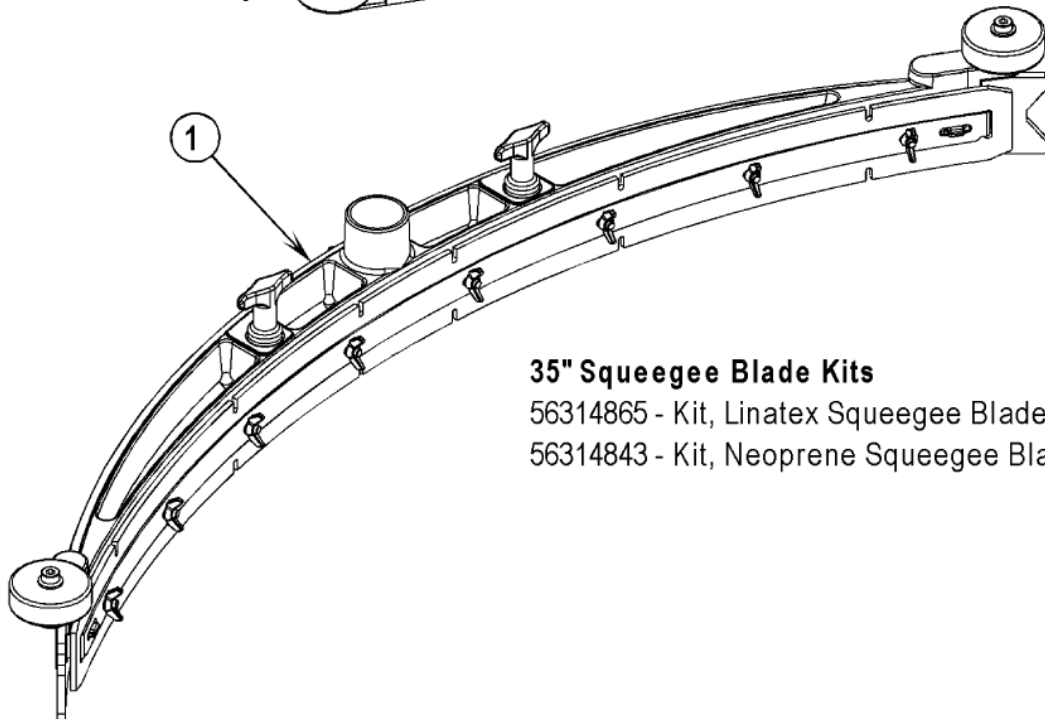


### Cylindrical Skirts

56407447 2 Skirt, Gum Rubber

56407392 2 Skirt, Neoprene

56410335 2 Skirt, Linatex



### 35" Squeegee Blade Kits

56314865 - Kit, Linatex Squeegee Blade

56314843 - Kit, Neoprene Squeegee Blade

### COMPATIBLE 32" BRUSHES

56407473 - Soft Nylon

56407474 - Hard Nylon

56407475 - Prolene

56407476 - 180 Grit

56407477 - 80 Grit

56407478 - 46 Grit

Item	Ref. No.	Qty	Description
	56316525	1	Kit, Deck BR 850SC
*	56040833	1	Instruction Sheet
1	56314697	1	Squeegee Assembly
2	56314655	1	32" Cylindrical Deck Assembly

# 56316525 - Kit, Deck BR 850S

BR 850/950//1050/S-SC

30-05-2011

Part List ID  
IS56040833P16

97

Pos	Part no.	Qty	Description	EAN
	56040833	1	INSTRUCTION SHEET	5711144014
1	56314697	1	SQUEEGEE ASSEMBLY D	5711144056
2	56314655	1	CYL. DECK ASSY 32	5711144150

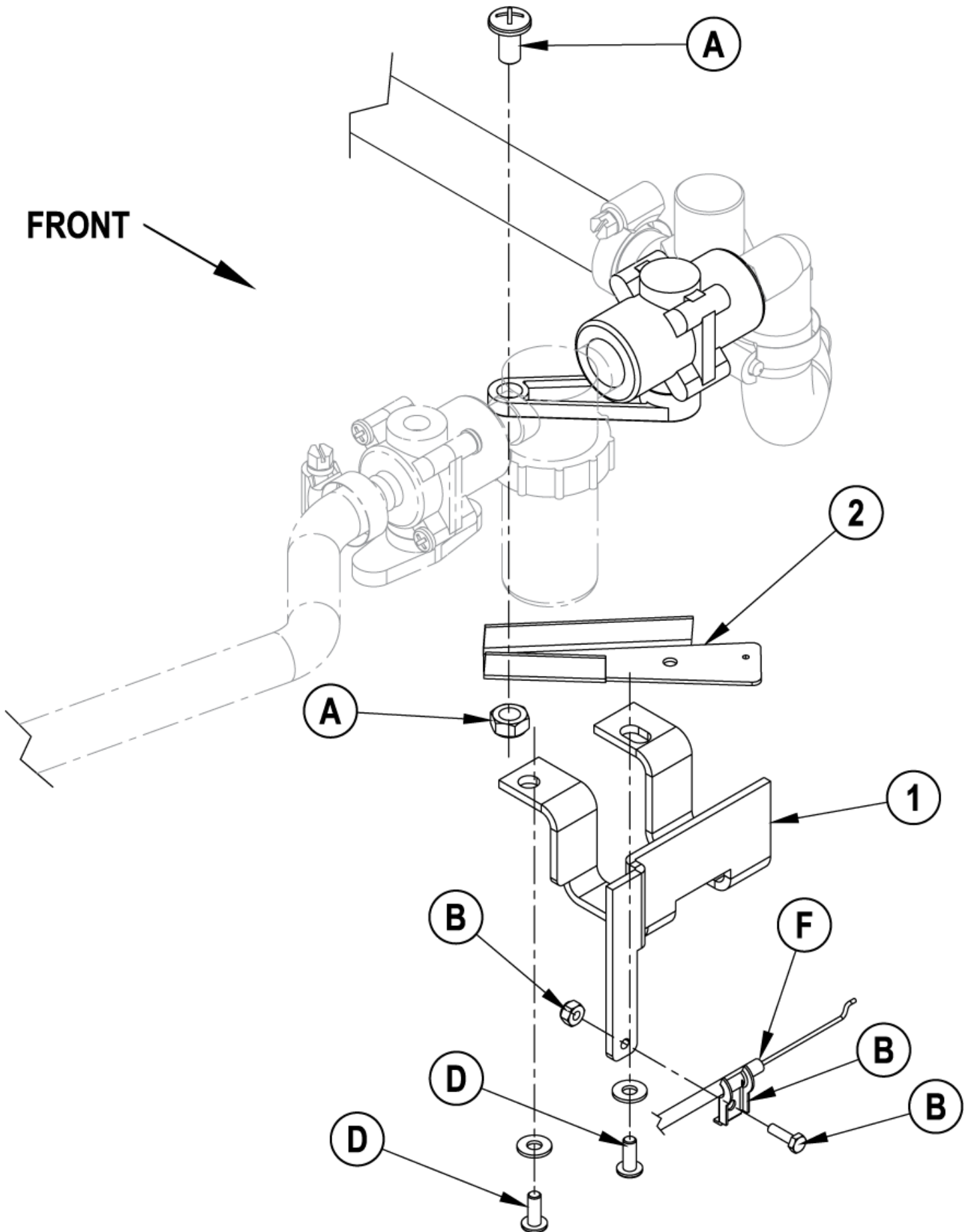
# 56314919 - Flow Control Kit

BR 850/950//1050/S-SC

30-05-2011

Part List ID  
IS56040841

98



# 56314919 - Flow Control Kit

BR 850/950//1050/S-SC

30-05-2011

Part List ID

IS56040841

99

Pos	Part no.	Qty	Description	EAN
	56040841	1	INSTRUCTION SHEET	5711144014
1	56314881	1	BRACKET VALVE	5711144057
2	56314882	1	BRACKET WATER VALVE	5711144057
3	56015445	1	DECAL SOLUTION FLOW	5711144010

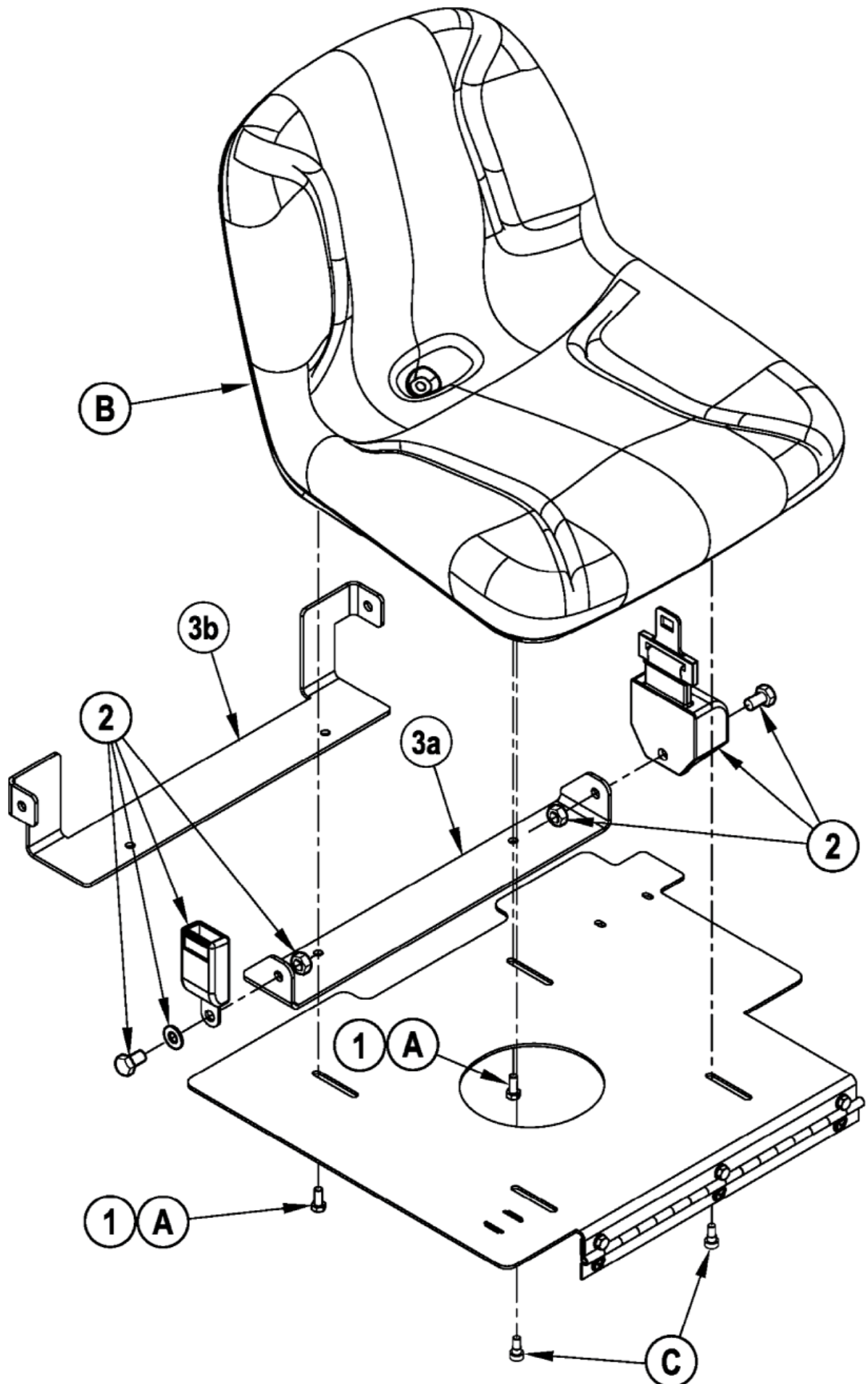
# 56314312/56422162 - Seat Belt Kit

BR 850/950//1050/S-SC

30-05-2011

Part List ID  
IS56040846

100



# 56314312/56422162 - Seat Belt Kit

BR 850/950//1050/S-SC

30-05-2011

Part List ID  
IS56040846

101

Pos	Part no.	Qty	Description	EAN
	56040846	1	INSTRUCTION SHEET	5711144014
1	56003179	2	SCR HEX THD/HD M8 1.25X20MM	5711144004
2	56314962	1	SEAT BELT KIT	5711144057
			INCLUDES HARDWARE	
3A	56314961	1	SEAT BELT BRACKET	5711144057
			FOR 56314312	
3B	56422160	1	BRACKET SEAT BELT	5711144107
			FOR 56422162	

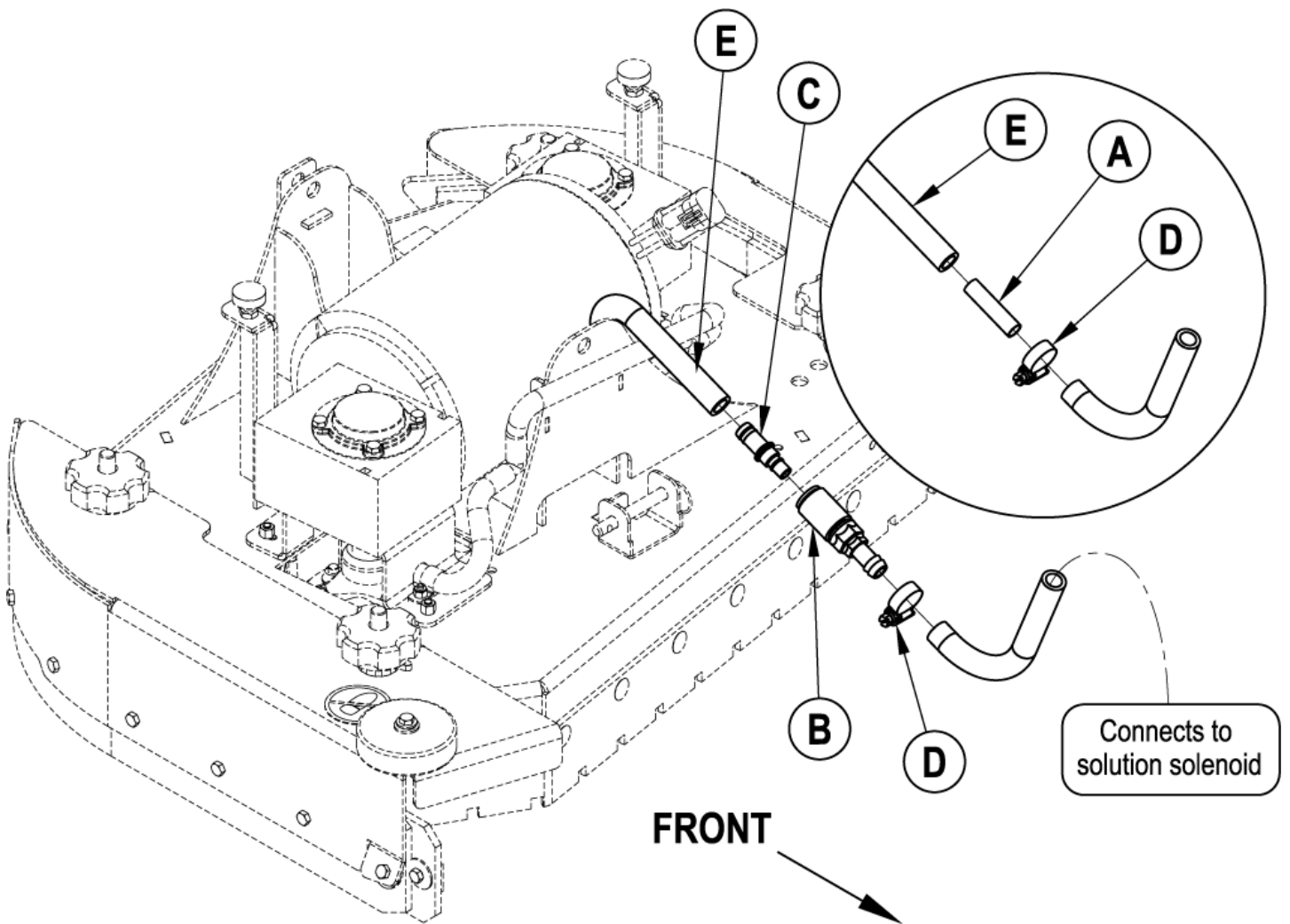
# 56314905 - Solution Flow Kit

BR 850/950//1050/S-SC

30-05-2011

Part List ID  
IS56040851

102



# 56314905 - Solution Flow Kit

BR 850/950//1050/S-SC

30-05-2011

Part List ID

IS56040851

103

Pos	Part no.	Qty	Description	EAN
	56040851	1	INSTRUCTION SHEET	5711144014
A	56314904	1	TUBE	5711144057

Note: 28ö disk deck assembly show n, same basic procedure for all models.



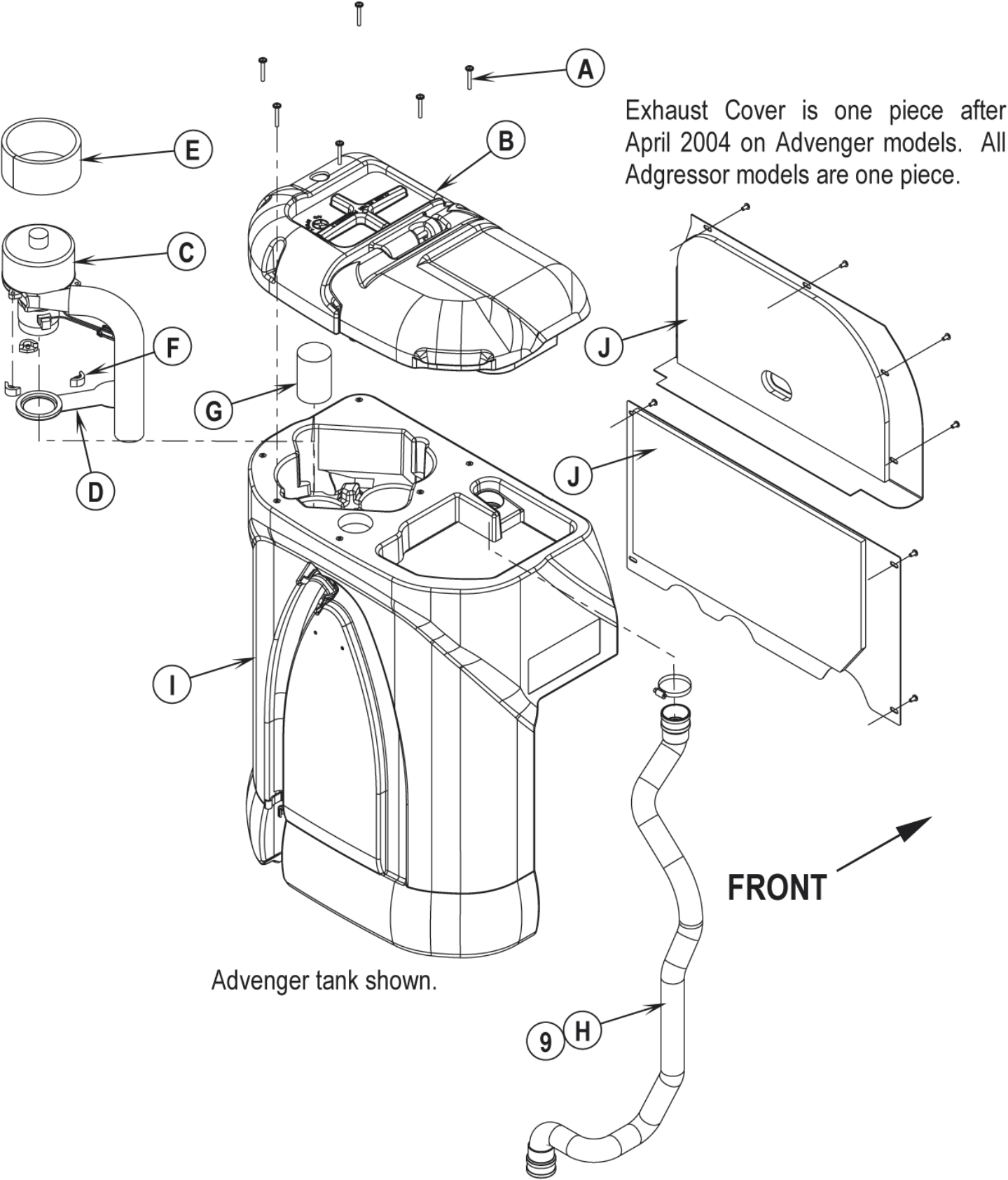
# 56316186 - Dual Vac Motor Kit

BR 850/950//1050/S-SC

30-05-2011

Part List ID  
IS56040892P2

104



# 56316186 - Dual Vac Motor Kit

BR 850/950//1050/S-SC

30-05-2011

Part List ID  
IS56040892P2

105

Pos	Part no.	Qty	Description	EAN
9	56314535	1	VAC HOSE ASSY. 1.75	5711144055

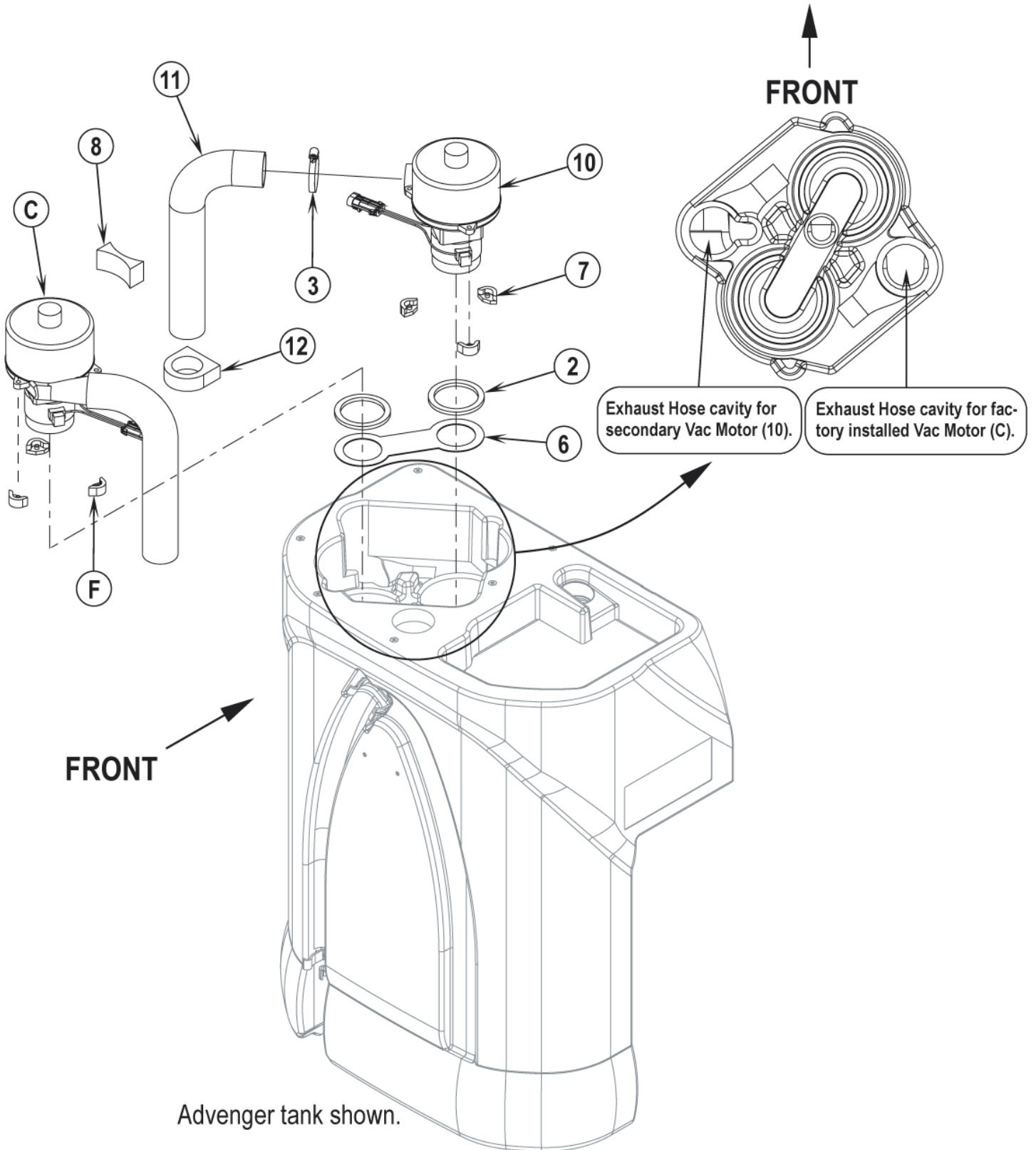
# 56316186 - Dual Vac Motor Kit

BR 850/950//1050/S-SC

30-05-2011

Part List ID  
IS56040892P3

106



# 56316186 - Dual Vac Motor Kit

BR 850/950//1050/S-SC

30-05-2011

Part List ID  
IS56040892P3

107

Pos	Part no.	Qty	Description	EAN
	56040892	1	INSTRUCTION SHEET	5711144015
1	56314704	1	GASKET	5711144056
2	56314760	2	GASKET VACUUM DUCT	5711144056
3	56440213	1	CLAMP HOSE SAE 32E00047	5711144107
4	56314372	1	SCREEN FILTER	5711144055
5	56314373	1	FILTER	5711144055
6	56314377	1	PLATE SEPARATOR 2 MOTOR	5711144055
7	56314484	3	MOUNT VIBRATION	5711144055
8	56314708	1	FOAM SPACER	5711144056
9	56314535	1	VAC HOSE ASSY. 1.75	5711144055
10	56410065	1	VAC MOTOR ASSY	5711144086
11	56459937	1	HOSE VAC 2.00 X 20 BLACK	5711144117
12	56314761	1	GASKET HOSE	5711144056
13	56316116	1	FERRITE BEAD	5711144061
13	56316116	1	FERRITE BEAD	5711144061

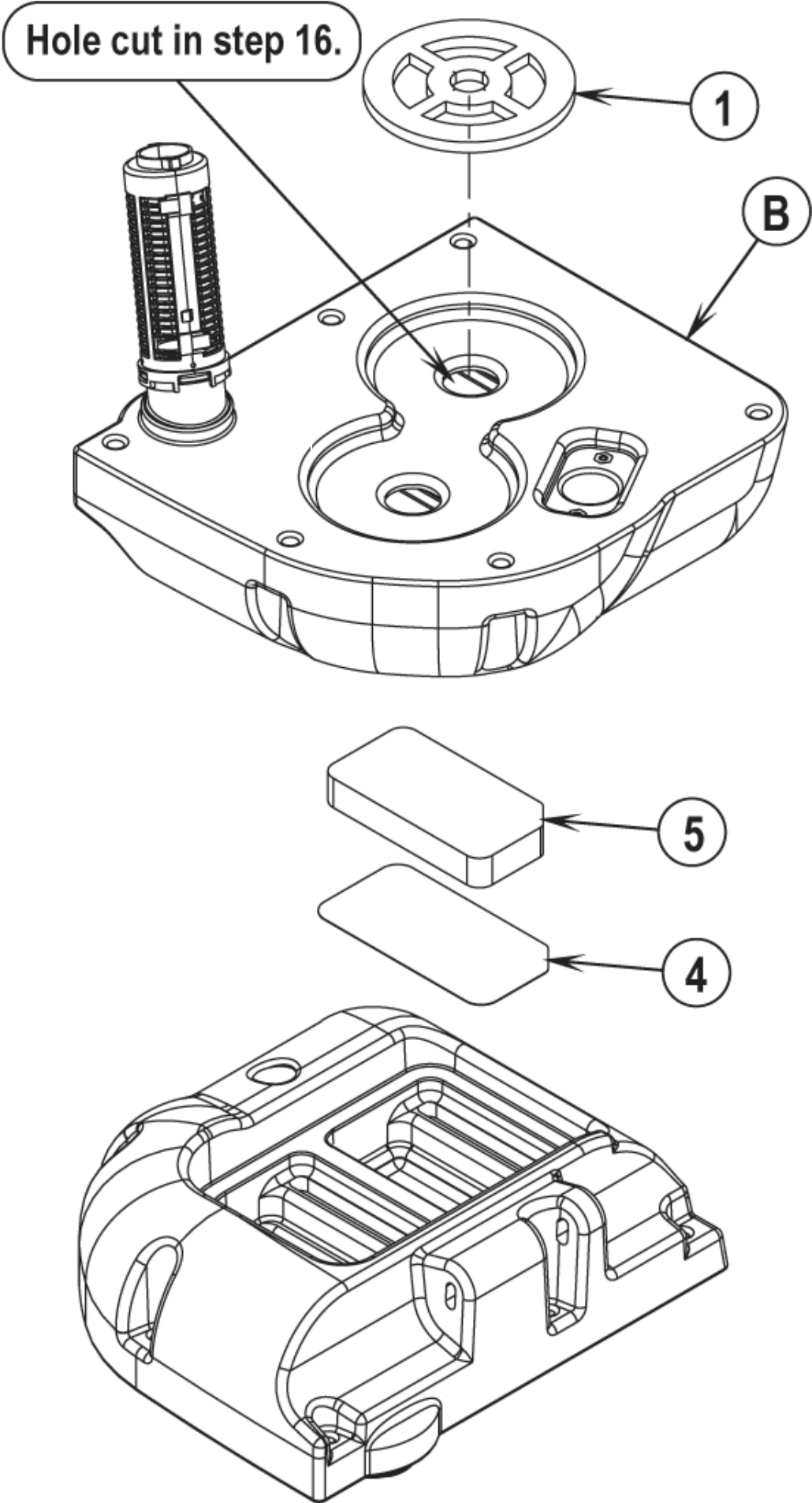
# 56316186 - Dual Vac Motor Kit

BR 850/950//1050/S-SC

30-05-2011

Part List ID  
IS56040892P5

108



# 56316186 - Dual Vac Motor Kit

BR 850/950//1050/S-SC

30-05-2011

Part List ID  
IS56040892P5

109

Pos	Part no.	Qty	Description	EAN
1	56314704	1	GASKET	5711144056
4	56314372	1	SCREEN FILTER	5711144055
5	56314373	1	FILTER	5711144055

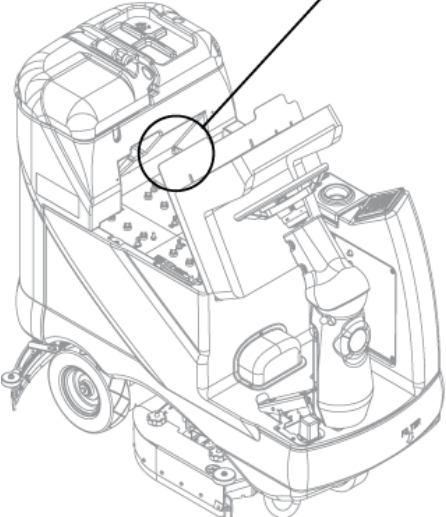
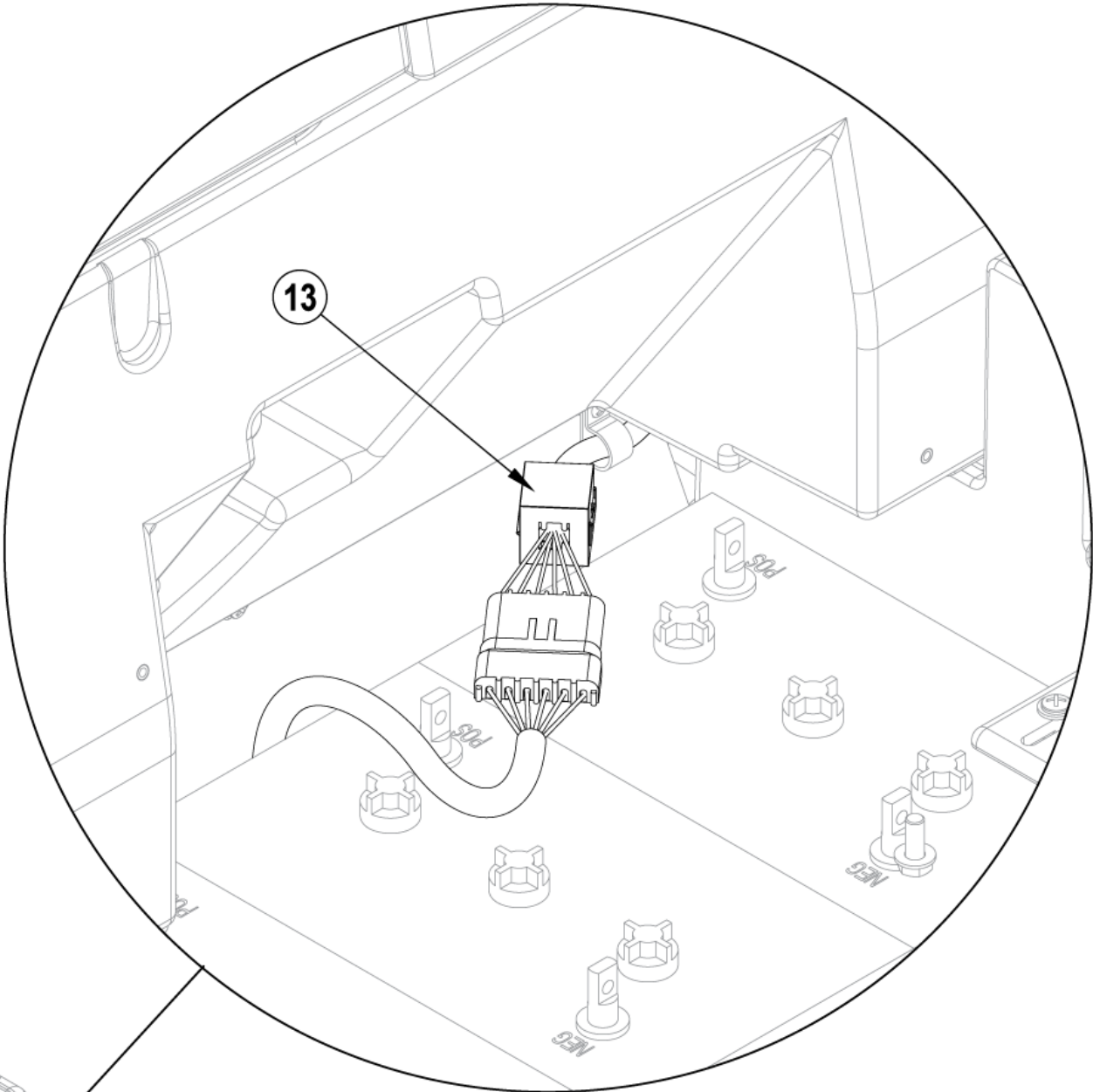
# 56316186 - Dual Vac Motor Kit

BR 850/950//1050/S-SC

30-05-2011

Part List ID  
IS56040892P6

110



# 56316186 - Dual Vac Motor Kit

BR 850/950//1050/S-SC

30-05-2011

Part List ID  
IS56040892P6

111

Pos	Part no.	Qty	Description	EAN
13	56316116	1	FERRITE BEAD	5711144061
13	56316116	1	FERRITE BEAD	5711144061



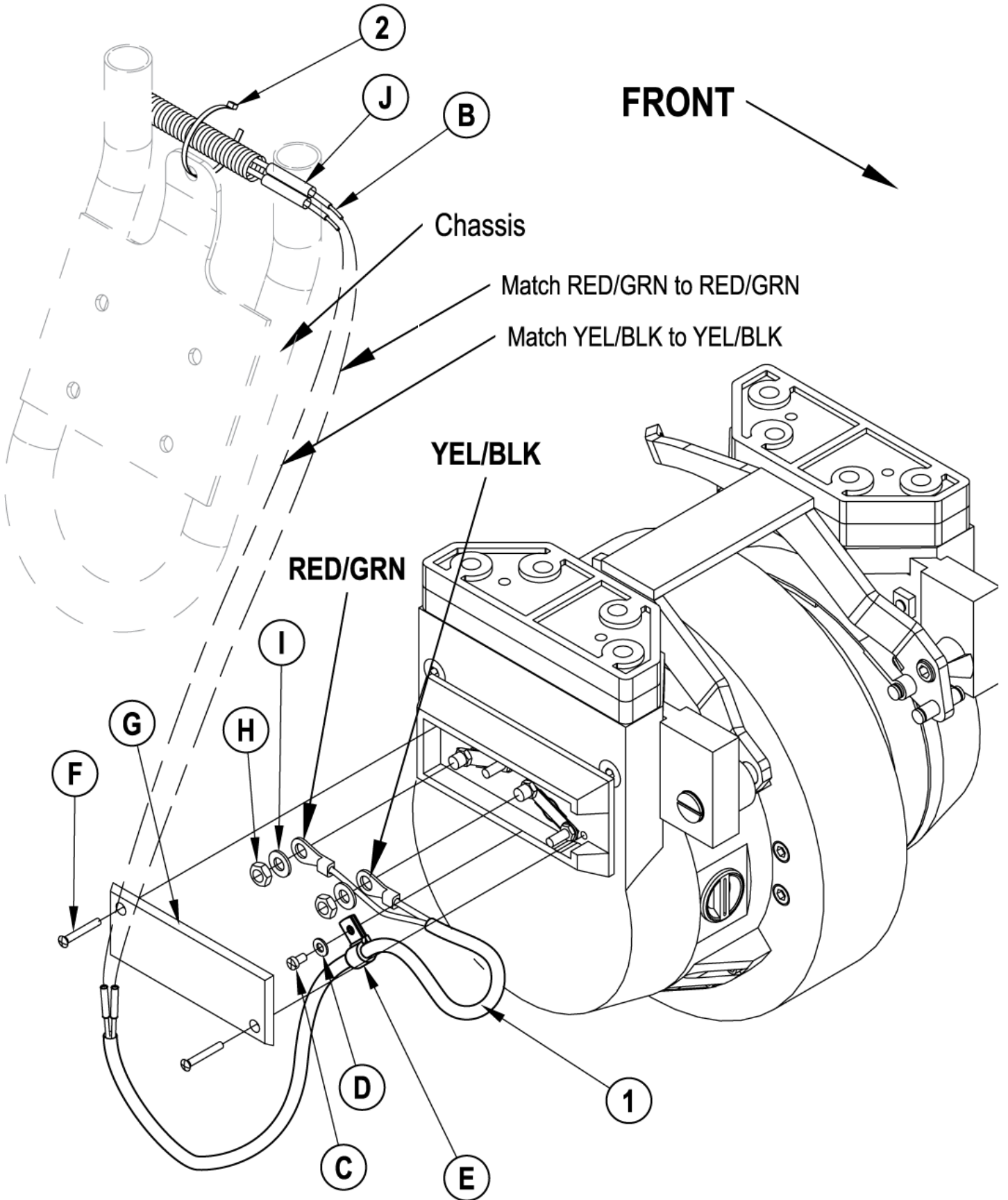
# 56316637 - Drive Wheel Harness Kit

BR 850/950//1050/S-SC

30-05-2011

Part List ID  
IS56090008

112



# 56316637 - Drive Wheel Harness Kit

BR 850/950//1050/S-SC

30-05-2011

Part List ID  
IS56090008

113

Pos	Part no.	Qty	Description	EAN
	56090008	1	INSTRUCTION SHEET	5711144018
1	56316636	1	HARNESS DRIVE WHEEL	5711144061
2	56477613	1	CABLE TIE E00549 RE409S	5711144123

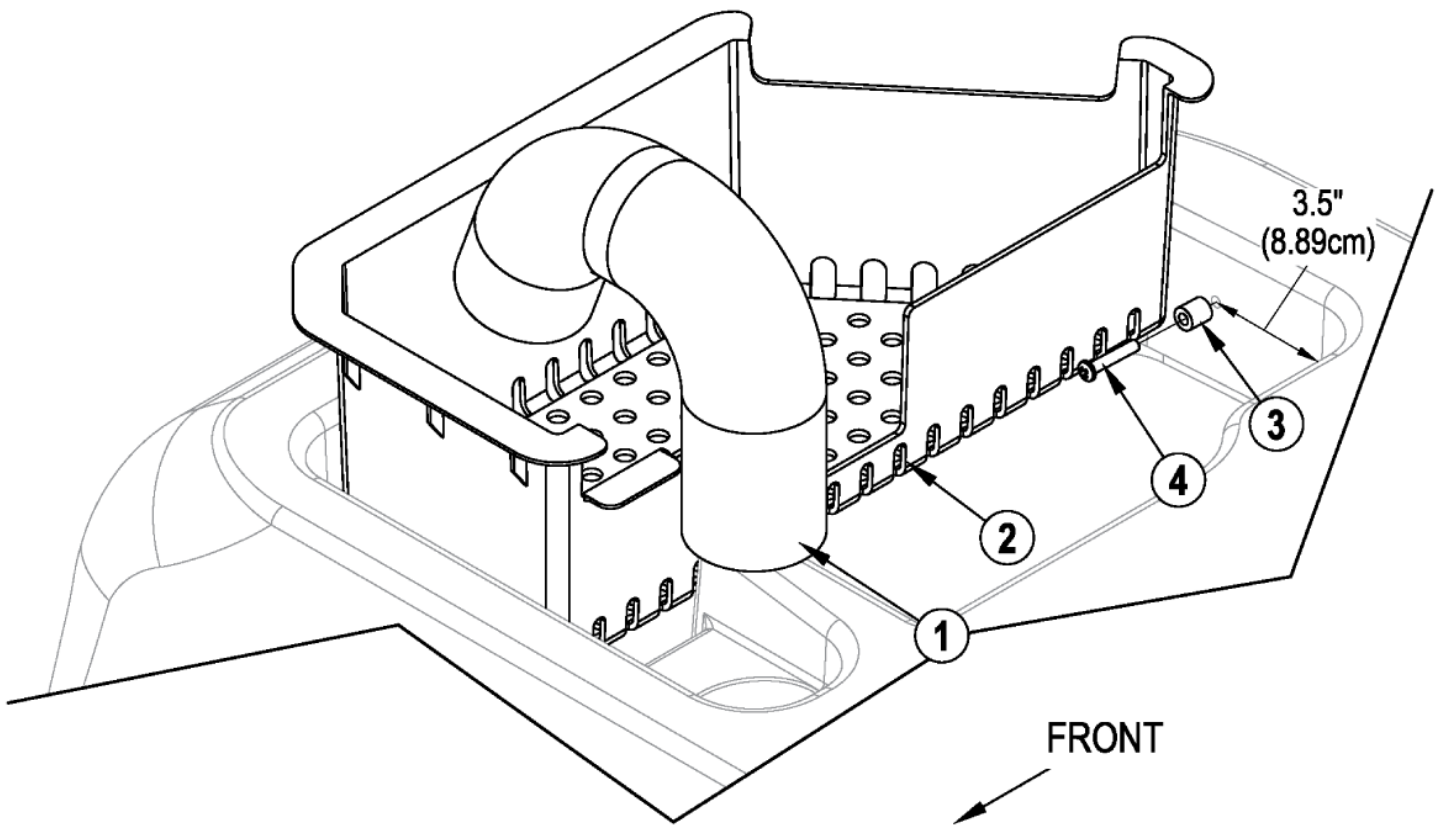
# 56390779 - Debris Tray Kit

BR 850/950//1050/S-SC

30-05-2011

Part List ID  
IS56090017

114



# 56390779 - Debris Tray Kit

BR 850/950//1050/S-SC

30-05-2011

Part List ID  
IS56090017

115

Pos	Part no.	Qty	Description	EAN
1	56390848	1	TUBE RECOVERY TANK	5711144072
2	56109695	1	STRAINER BASKET	5711144022
3	56377721	1	SPACER	5711144068
4	56003202	1	SCR PAN PHIL PLASTITE 8 18X1.0	5711144004

NOTE 1: Only used on machines with a model number starting with "56314" or "56316". Not required for any machines with a model number starting with "56390".

# 56390765 - Kit, Deck BR 850S

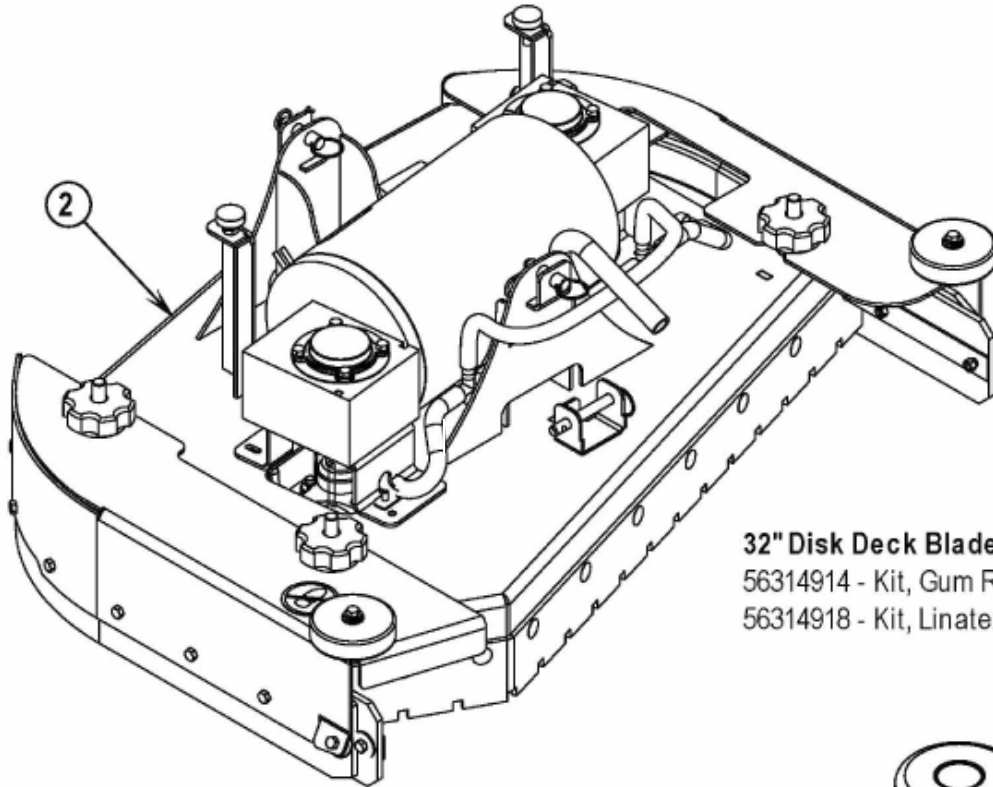
BR 850/950//1050/S-SC

30-05-2011

Part List ID  
IS56090031P1

116

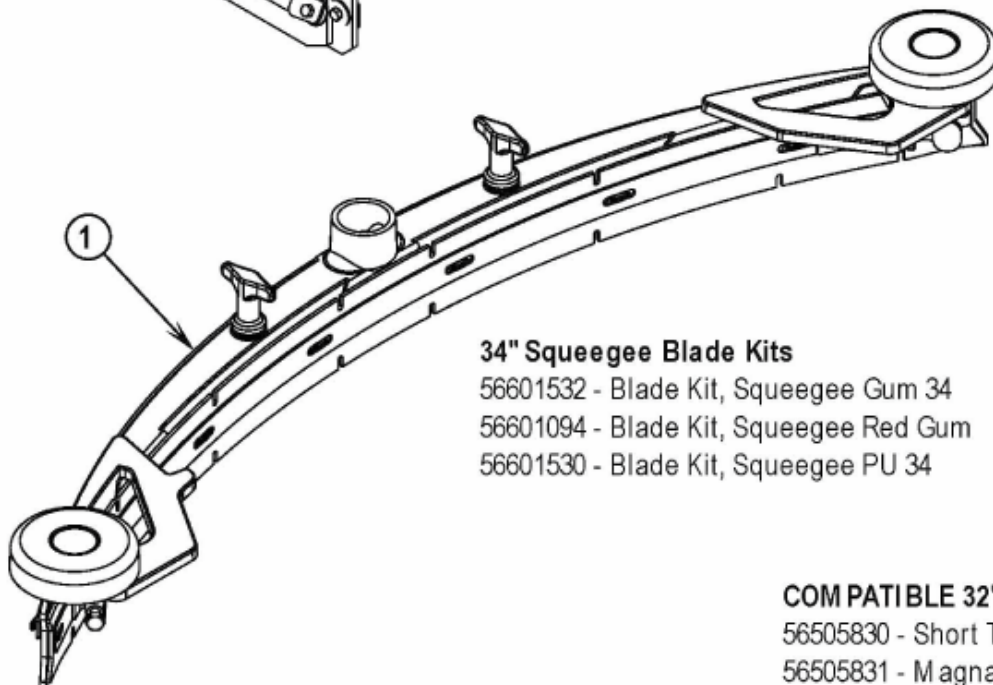
## 56390765 - Kit, Deck BR 850S



### 32" Disk Deck Blade Kits

56314914 - Kit, Gum Rubber 32 Disk (Std)

56314918 - Kit, Linatex 32 Disk (Optional)



### 34" Squeegee Blade Kits

56601532 - Blade Kit, Squeegee Gum 34

56601094 - Blade Kit, Squeegee Red Gum

56601530 - Blade Kit, Squeegee PU 34

### COMPATIBLE 32" BRUSHES

56505830 - Short Trim Pad Holder

56505831 - Magna Grit

56505832 - Dyna Grit

56505833 - AgLite Grit

56505834 - Prolene

56505835 - ProLite

56505836 - Union Mix

56505837 - MidGrit

56505838 - MidLite Grit

Item	Ref. No.	Qty	Description
	56390765	1	Kit, Deck BR 850S
*	56090031	1	Instruction Sheet
1	56390866	1	Squeegee Assembly
2	56314716	1	32" Disk Deck Assembly

# 56390765 - Kit, Deck BR 850S

BR 850/950//1050/S-SC

30-05-2011

Part List ID  
IS56090031P1

117

Pos	Part no.	Qty	Description	EAN
1	56390866	1	SQUEEGEE ASSEMBLY 34	5711144072
1	56390866	1	SQUEEGEE ASSEMBLY 34	5711144072
2	56314716	1	32 DISC DECK ASSY	5711144056
20	56314914	1	BLADE KIT DISC GUM 32	5711144057
21	56314918	1	KIT LINATEX 32 DISK	5711144057
30	56601532	1	BLADE KIT SQUEEGEE GUM 34	5711143107
31	56601094	1	BLADE KIT SQUEEGEE LINATEX	5711143108
32	56601530	1	BLADE KIT SQUEEGEE PU 34	5711143107
40	56505830	1	PAD HOLDER 16 3 LUG	5711144129
41	56505831	1	DISC BRUSH 16 MAGNAGRIT 3 LUG	5711144129
42	56505832	1	DISC BRUSH 16 DYNAGRIT 3 LUG	5711144129
43	56505833	1	DISC BRUSH 16 AGLITE 3 LUG	5711144129
44	56505834	1	DISC BRUSH 16 PROLENE 3 LUG	5711144129
45	56505835	1	DISC BRUSH 16 PROLITE 3 LUG	5711144129
46	56505836	1	DISC BRUSH 16 UNION MIX 3 LUG	5711144129
47	56505837	1	DISC BRUSH 16 MIDGRIT 3 LUG	5711144129
48	56505838	1	DISC BRUSH 16 MIDLITE 3 LUG	5711144129

# 56390767 - Kit, Deck BR 850S C

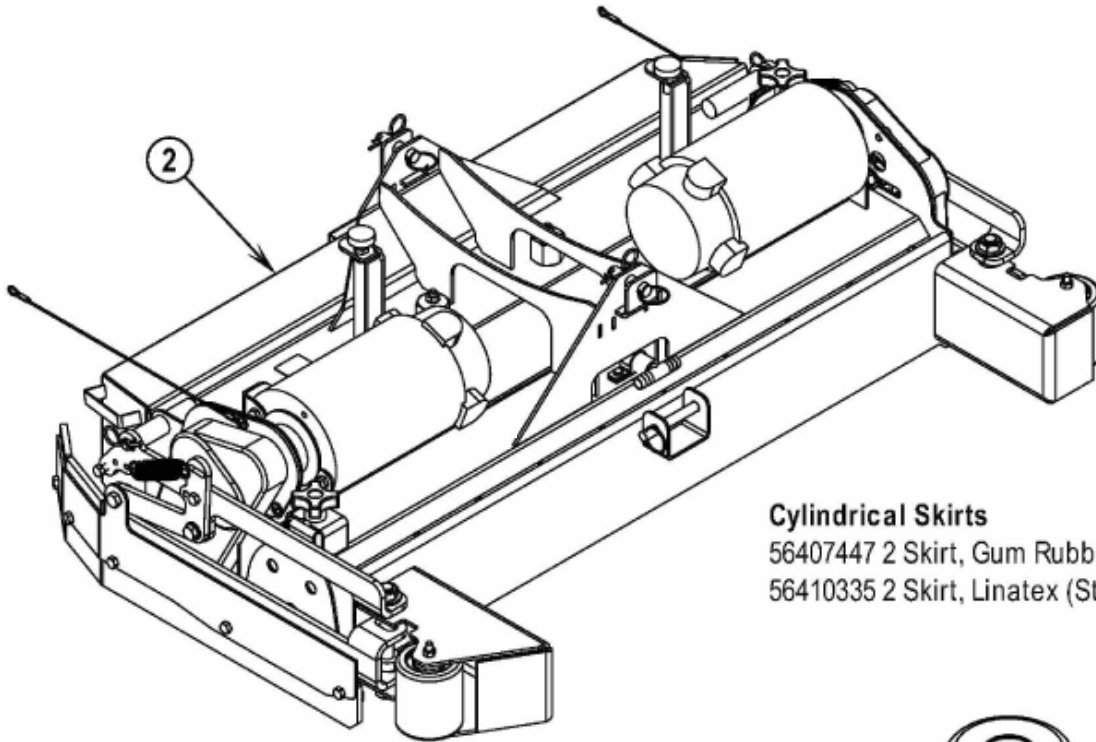
BR 850/950//1050/S-SC

30-05-2011

Part List ID  
IS56090031P2

118

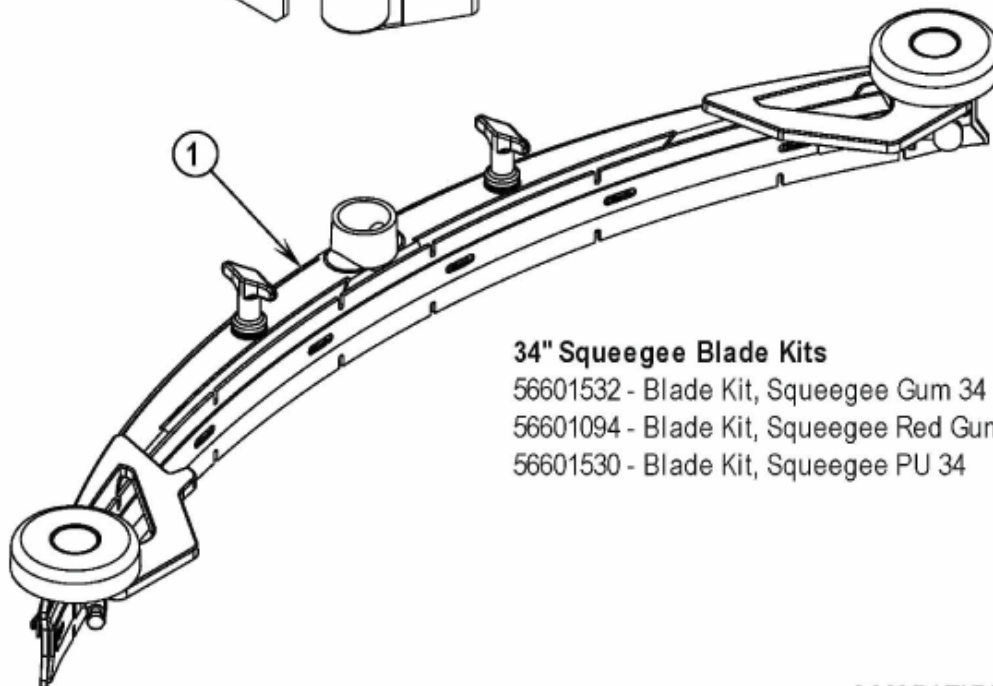
## 56390767 - Kit, Deck BR 850SC



### Cylindrical Skirts

56407447 2 Skirt, Gum Rubber (Optional)

56410335 2 Skirt, Linatex (Std)



### 34" Squeegee Blade Kits

56601532 - Blade Kit, Squeegee Gum 34

56601094 - Blade Kit, Squeegee Red Gum

56601530 - Blade Kit, Squeegee PU 34

### COMPATIBLE 32" BRUSHES

56407473 - Soft Nylon

56407474 - Hard Nylon

56407475 - Prolene

56407476 - 180 Grit

56407477 - 80 Grit

56407478 - 46 Grit

Item	Ref. No.	Qty	Description
	56390767	1	Kit, Deck BR 850SC
*	56090031	1	Instruction Sheet
1	56390866	1	Squeegee Assembly
2	56314655	1	32" Cylindrical Deck Assembly

# 56390767 - Kit, Deck BR 850S C

BR 850/950//1050/S-SC

30-05-2011

Part List ID  
IS56090031P2

119

Pos	Part no.	Qty	Description	EAN
	56090031	1	INSTRUCTION SHEET	5711144151
	56090031	1	INSTRUCTION SHEET	5711144151
	56390767	1	KIT DECK BR 850CS	5711144072
1	56390866	1	SQUEEGEE ASSEMBLY 34	5711144072
1	56390866	1	SQUEEGEE ASSEMBLY 34	5711144072
2	56314655	1	CYL. DECK ASSY 32	5711144150
20	56407447	2	BLADE DECK GUM	5711144083
21	56410335	2	BLADE DECK RED GUM	5711144088
30	56601532	1	BLADE KIT SQUEEGEE GUM 34	5711143107
31	56601094	1	BLADE KIT SQUEEGEE LINA TEX	5711143108
32	56601530	1	BLADE KIT SQUEEGEE PU 34	5711143107
40	56407473	1	BRUSH SOFT NYLON 32 YELLOW	5711144083
41	56407474	1	BRUSH HARD NYLON 32 NATURAL	5711144083
42	56407475	1	BRUSH POLYPROPYLENE 32 RED	5711144083
43	56407476	1	BRUSH 180 GRIT 32 BLUE/GREY	5711144083
44	56407477	1	BRUSH 80 GRIT 32 BLACK	5711144083
45	56407478	1	BRUSH 46 GRIT 32 ORANGE/BROWN	5711144083



# 56390787 - Kit, Deck BR 1050S

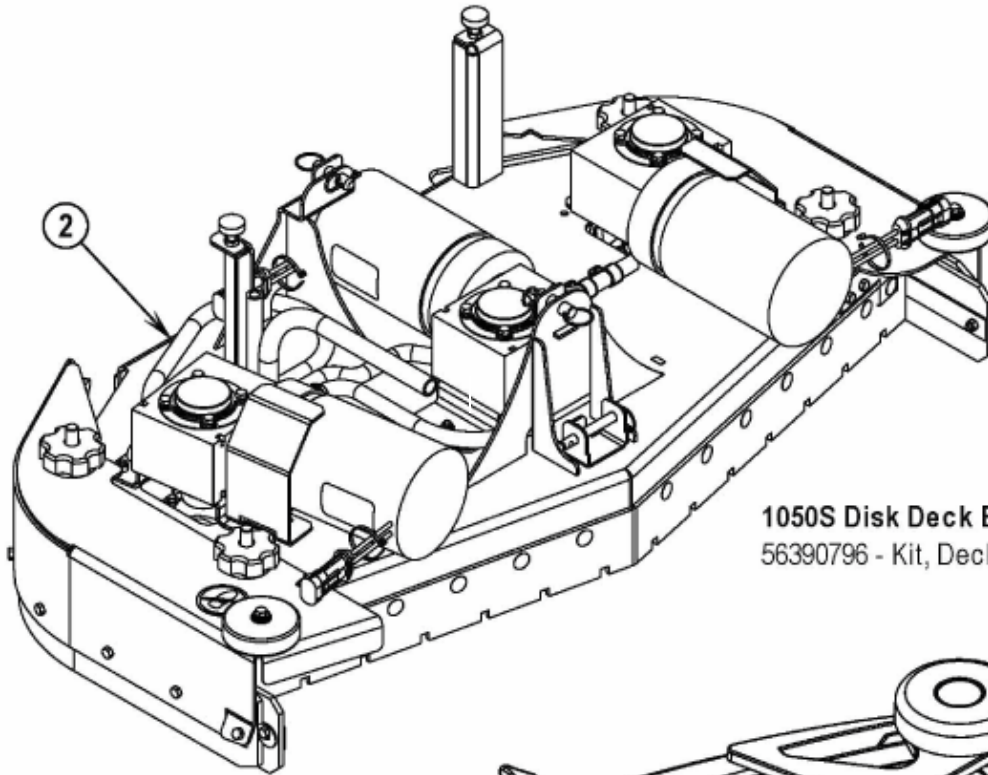
BR 850/950//1050/S-SC

30-05-2011

Part List ID  
IS56090031P3

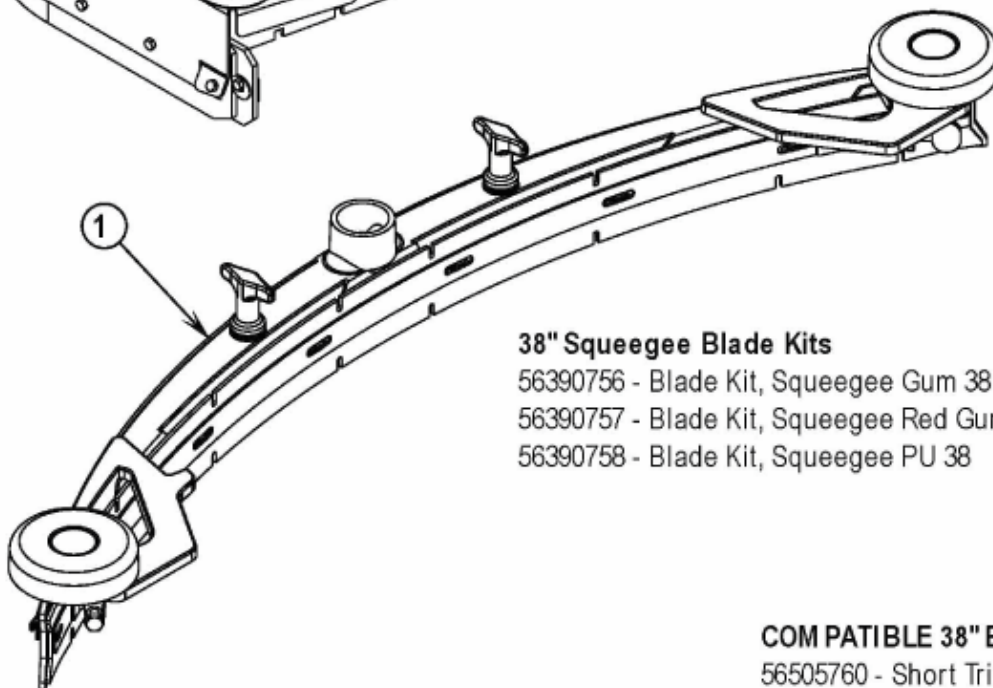
120

## 56390787 - Kit, Deck BR 1050S



### 1050S Disk Deck Blade Kits

56390796 - Kit, Deck Blade 1050S Gum



### 38\"/>

56390756 - Blade Kit, Squeegee Gum 38

56390757 - Blade Kit, Squeegee Red Gum

56390758 - Blade Kit, Squeegee PU 38

### COMPATIBLE 38\"/>

56505760 - Short Trim Pad Holder

56505761 - Magna Grit

56505762 - Dyna Grit

56505763 - AgLite Grit

56505764 - Prolene

56505765 - ProLite

56505766 - Union Mix

56505767 - MidGrit

56505768 - MidLite Grit

Item	Ref. No.	Qty	Description
	56390787	1	Kit, Deck BR 1050S
*	56090031	1	Instruction Sheet
1	56390830	1	Squeegee Assembly
2	56314901	1	38\"/>

# 56390787 - Kit, Deck BR 1050S

BR 850/950//1050/S-SC

30-05-2011

Part List ID  
IS56090031P3

121

Pos	Part no.	Qty	Description	EAN
	56090031	1	INSTRUCTION SHEET	5711144151
	56090031	1	INSTRUCTION SHEET	5711144151
0	56390776	1	KIT DECK BR 3820D	5711144169
0	56390776	1	KIT DECK BR 3820D	5711144169
1	56390830	1	SQUEEGEE ASSEMBLY	5711144072
1	56390830	1	SQUEEGEE ASSEMBLY	5711144072
2	56314901	1	DISC DECK ASSY 38	5711144150
20	56390796	1	KIT DECK BLADE 1050S GUM	5711144150
30	56390756	1	BLADE KIT SQUEEGEE GUM 38	5711144072
30	56390756	1	BLADE KIT SQUEEGEE GUM 38	5711144072
31	56390757	1	BLADE KIT SQUEEGEE RED GUM 38	5711144072
32	56390758	1	BLADE KIT SQUEEGEE PU 38	5711144072
40	56505760	1	PAD HOLDER 13 3 LUG	5711144128
41	56505761	1	DISC BRUSH 13 MAGNAGRIT 3 LUG	5711144128
42	56505762	1	DISC BRUSH 13 DYNAGRIT 3 LUG	5711144128
43	56505763	1	DISC BRUSH 13 AGLITE 3 LUG	5711144128
44	56505764	1	DISC BRUSH 13 PROLENE 3 LUG	5711144128
45	56505765	1	DISC BRUSH 13 PROLITE 3 LUG	5711144128
46	56505766	1	DISC BRUSH 13 UNION MIX 3 LUG	5711144128
47	56505767	1	DISC BRUSH 13 MIDGRIT 3 LUG	5711144128
48	56505768	1	DISC BRUSH 13 MIDLITE 3 LUG	5711144128

# 56390786 - Kit, Deck BR 1050S C

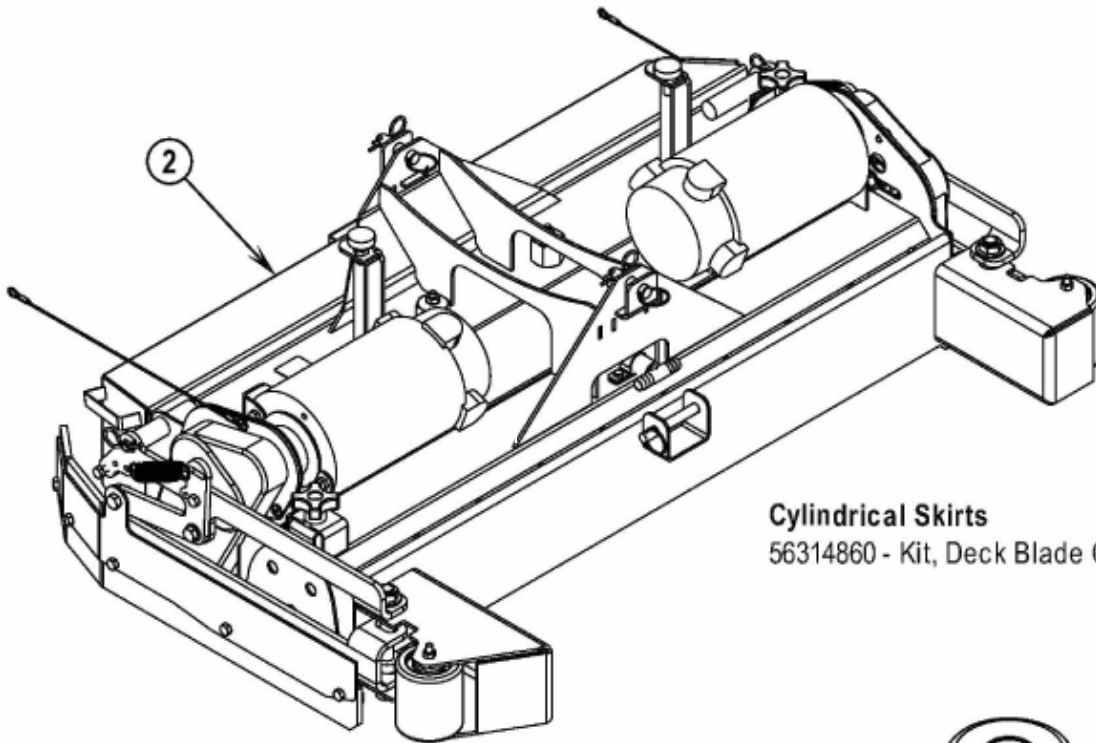
BR 850/950//1050/S-SC

30-05-2011

Part List ID  
IS56090031P4

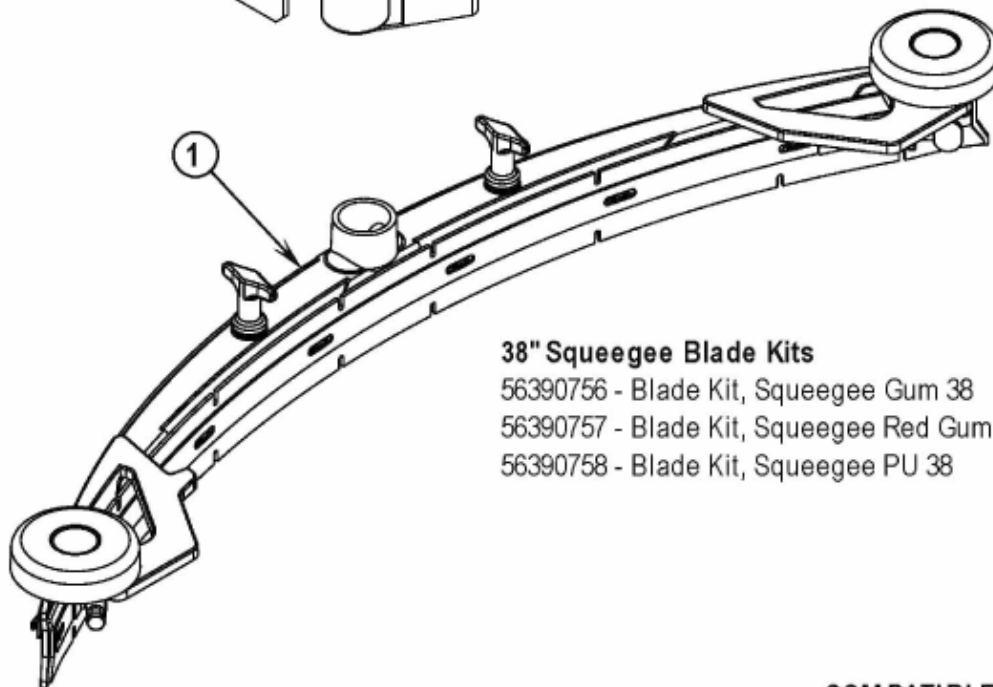
122

## 56390786 - Kit, Deck BR 1050SC



### Cylindrical Skirts

56314860 - Kit, Deck Blade Cyl Linatex



### 38" Squeegee Blade Kits

56390756 - Blade Kit, Squeegee Gum 38

56390757 - Blade Kit, Squeegee Red Gum

56390758 - Blade Kit, Squeegee PU 38

Item	Ref. No.	Qty	Description
	56390786	1	Kit, Deck BR 1050SC
*	56090031	1	Instruction Sheet
1	56390830	1	Squeegee Assembly
2	56314815	1	38" Cylindrical Deck Assembly

### COMPATIBLE 38" BRUSHES

56410294 - Soft Nylon  
56410295 - Hard Nylon  
56410293 - Prolene  
56410296 - 180 Grit  
56410297 - 80 Grit  
56410298 - 46 Grit

# 56390786 - Kit, Deck BR 1050S C

BR 850/950//1050/S-SC

30-05-2011

Part List ID  
IS56090031P4

123

Pos	Part no.	Qty	Description	EAN
	56090031	1	INSTRUCTION SHEET	5711144151
	56090031	1	INSTRUCTION SHEET	5711144151
	56390786	1	KIT DECK BR 1050SC	5711144072
	56390786	1	KIT DECK BR 1050SC	5711144072
1	56390830	1	SQUEEGEE ASSEMBLY	5711144072
1	56390830	1	SQUEEGEE ASSEMBLY	5711144072
2	56314815	1	CYL. DECK ASSY 38	5711144150
20	56314860	1	BLADE KIT CYL RED GUM	5711144057
30	56390756	1	BLADE KIT SQUEEGEE GUM 38	5711144072
30	56390756	1	BLADE KIT SQUEEGEE GUM 38	5711144072
31	56390757	1	BLADE KIT SQUEEGEE RED GUM 38	5711144072
32	56390758	1	BLADE KIT SQUEEGEE PU 38	5711144072
40	56410294	1	BRUSH SOFT NYLON 38 YELLOW	5711144088
41	56410295	1	BRUSH HARD NYLON 38 NATURAL	5711144088
42	56410296	1	BRUSH 180 GRIT 38 BLUE/GREY	5711144088
43	56410297	1	BRUSH 80 GRIT 38 BLACK	5711144088
44	56410298	1	BRUSH 46 GRIT 38 ORANGE/BROWN	5711144088