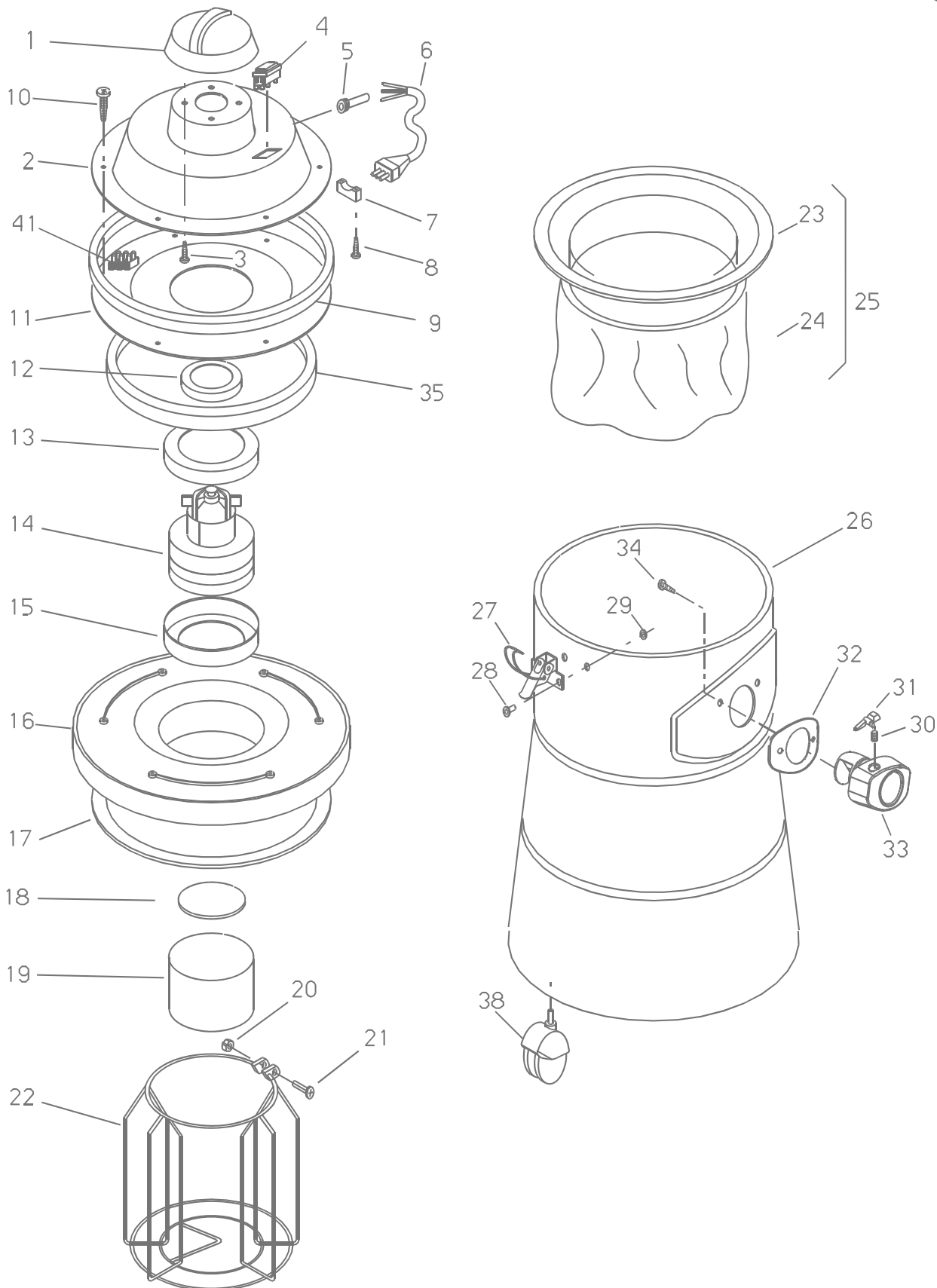


C29F1

ASPIRAPOLVERE/ASPIRALIQUIDI CLEAN AIR 301 - WET&DRY
 VACUUM CLEANER CLEAN AIR 301 - ASPIRATEUR EAU/POUSSIERE
 CLEAN AIR 301 - STAUB WASSER SAUGER CLEAN AIR 301



N.Posit	Code	Qta	Descrizione	Description	Description	Bezeichnung
C29.A.01	CZ001*	1	COPERCHIO	COVER	COUVERCLE	DECKEL
C29.A.02	CU001*	1	CALOTTA COPRI MOTORE	MOTOR CAP	CALOTTE	MOTORKAPPE
C29.A.03	VA322	4	VITE FIL.RAP.5x13 TC S/PUNTA	SCREW	VIS	SCHRAUBE
C29.A.04	IN010	1	INTERRUTTORE	ON/OFF SWITCH	INTERRUPTEUR	SCHALTER
C29.A.05	PY309	1	PASSACAVO IN GOMMA NERA	RUBBER FAIRLEAD	PASSECCABLE	KABELDURCHGANG
C29.A.06	PY999*	1	CAVO ELETTRICO	ELECTRIC CABLE	CABLE ELECTRIQUE	ELEKTR. KABEL
C29.A.07	PY308	1	FERMACAVO	CABLE HOLDER	ARRETE-CABLE	KABELSPERRE
C29.A.08	VA261	2	VITE AUTOFIL.TC CROCE 3,5x19	SCREW	VIS	SCHRAUBE
C29.A.09	FO011	1	MAT. POLIESTIC	POLIESTIC MAT.	MAT. POLIESTIC	POL. KUNSTSTOFF
C29.A.10	VA323	6	VITE FIL.RAP.5x16 TC S/PUNTA	SCREW	VIS	SCHRAUBE
C29.A.11	DF002	1	BRIGLIA FERMA MOTORE	BRIDLE	CRAMPON	SPERRE
C29.A.12	GO014	1	CONVOGLIATORE	CONVEYOR	CONVOYEUR	FOERDERER
C29.A.13	GR009	1	GUARNIZIONE A L (grossa) 145x10	"L" GASKET	GARNITURE	L-DICHTUNG
C29.A.14	MO999*	1	MOTORE ASPIRAZIONE	SUCTION MOTOR	MOTEUR ASPIRATION	ANSAUGMOTOR
C29.A.15	GR005	1	GUARNIZIONE A L MOTORE 145x5	MOTOR GASKET	GARNITURE	L-DICHTUNG
C29.A.16	CB002*	1	CALOTTA BASE D.320	CAP BASE D.320	CALOTTE	KAPPE
C29.A.17	GO003	1	GUARNIZIONE CALOTTA BASE D.320	DOME GASKET	GARNITURE	KAPPEDICHTUNG
C29.A.18	GO005	1	GUARNIZIONE GALLEGGIANTE	GASKET-SHUT OFF CAN	GARNITURE	SCHWIMMERDICHTUNG
C29.A.19	GE003	1	GALLEGGIANTE	CAN-SHUT OFF	FLOTTEUR	SCHWIMMER
C29.A.20	DD203	1	DADO M5 UNI 5588/65	NUT	ECROU	MUTTER
C29.A.21	VC215	1	VITE CILIN.CROCE M5x25	SCREW	VIS	SCHRAUBE
C29.A.22	CL003	1	CESTELLO h=225	CAGE-SHUT OFF h=225	PANIER	KASTEN
C29.A.23	AN002	1	ANELLO FILTRO D.320	FILTER RING D.320	BAGUE FILTRE	FILTERRING
C29.A.24	SF003	1	SACCO FILTRO h=270	FILTER BAG	SAC FILTRE	FILTERBEUTEL
C29.A.25	KF005	1	ASSEMBLAGGIO FILTRO D.320x270	FILTER BAG ASSEMBLY	ASSEMBL. FILTRE	FILTERZUSAMMENBAU
C29.A.26	CN108	1	FUSTO CONICO D.320x470	ABS TANK	CUVE	SCHAFT
C29.A.27	CC004	2	GANCIO ZINGATO	GALVANIZED HOOK	CROCHET ZINGUE	VERZINKTER HAKEN
C29.A.28	RV031	4	RIVETTO 4.8x16	RIVET 4.8x16	RIVET 4.8x16	NIET 4.8x16
C29.A.29	RO402	4	RONDELLA NORMALE DIAM. 5 INOX	WASHER	RONDELLE	SCHLEIBE
C29.A.30	ML137	1	MOLLA PER BOCCHETTONE NYLON	SPRING FOR UNION	RESSORT	FEDER
C29.A.31	SE004	1	LEVETTA BLOCCO TUBO FLEX	LEVER	LEVIER	HEBEL
C29.A.32	GO044	1	GUARNIZIONE BOCCHETTONE	GASKET-TANK INTAKE	GARNITURE	STUTZENDICHTUNG
C29.A.33	BC007	1	BOCCHETTONE	ADOPTER TANK INTAKE D	GOULOTTE	STUTZEN
C29.A.34	VA425	2	VITE AUTOFILETT.4.8x22 INOX	SCREW	VIS	SCHRAUBE
C29.A.35	FO010	1	MAT. POLIESTIC	POLIESTIC MAT.	MAT. POLIESTIC	POL. KUNSTSTOFF
C29.A.38	RT078	5	RUOTA PIVOT.D.50 GRIGIA M10X10	WHEEL	ROUE	RAD
C29.A.41	PY182	1	MORSETTIERA MAMMUT A 3 POLI PA44	TERMINAL BOARD	BORNIER	KLEMMENBRETT

Ing. O. FIORENTINI s.r.l.

Sede e Stabilimenti: **50030 PIANCALDOLI** - Loc. ROMBOLA (Firenze) Tel.055/8173610 - Fax 055/817144

50030 PIETRAMALA - Via del Molino (Firenze) Tel. 055/813447

Filiale: **00155 ROMA** - Via Carlo Carrà, 13

Filiale: **20132 MILANO** - Via Palmanova, 211/A

Tel.06/22754040/60 - Fax 06/22754065

Tel.02/27207783 - 2564810 - Fax 02/2592779

E-mail: inform@ingfiorentini.it - sales@ingfiorentini.it - www.ingfiorentini.it