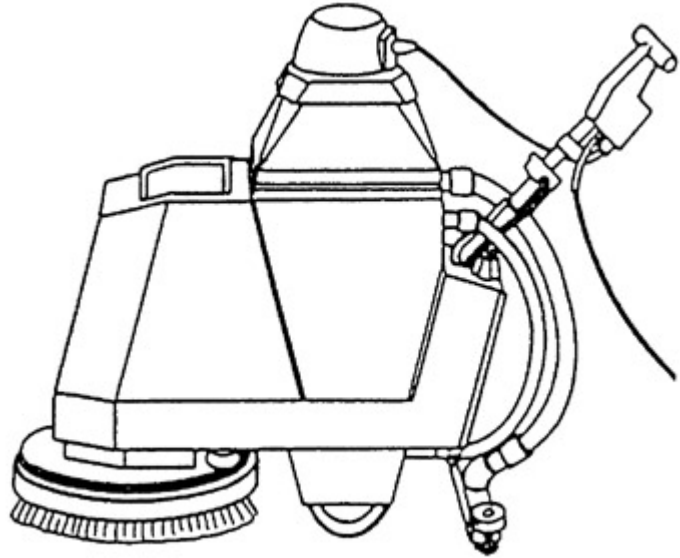


C 51

Model:
C 51



Part List English

18-10-2014

Table of Contents

C 51

SPARE PARTS ACCESSORIES	3
SPARE PARTS ACCESSORIES	5
SPARE PARTS ACCESSORIES	7
SPARE PARTS ACCESSORIES	9
SPARE PARTS ACCESSORIES	11
SPARE PARTS ACCESSORIES	14
SPARE PARTS ACCESSORIES	16
SPARE PARTS ACCESSORIES	18
SPARE PARTS ACCESSORIES	20
SPARE PARTS ACCESSORIES	22
SPARE PARTS ACCESSORIES	25
SPARE PARTS ACCESSORIES	28
SPARE PARTS ACCESSORIES	30
SPARE PARTS ACCESSORIES	32
SPARE PARTS ACCESSORIES	34

SPARE PARTS ACCESSORIES

18-10-2014

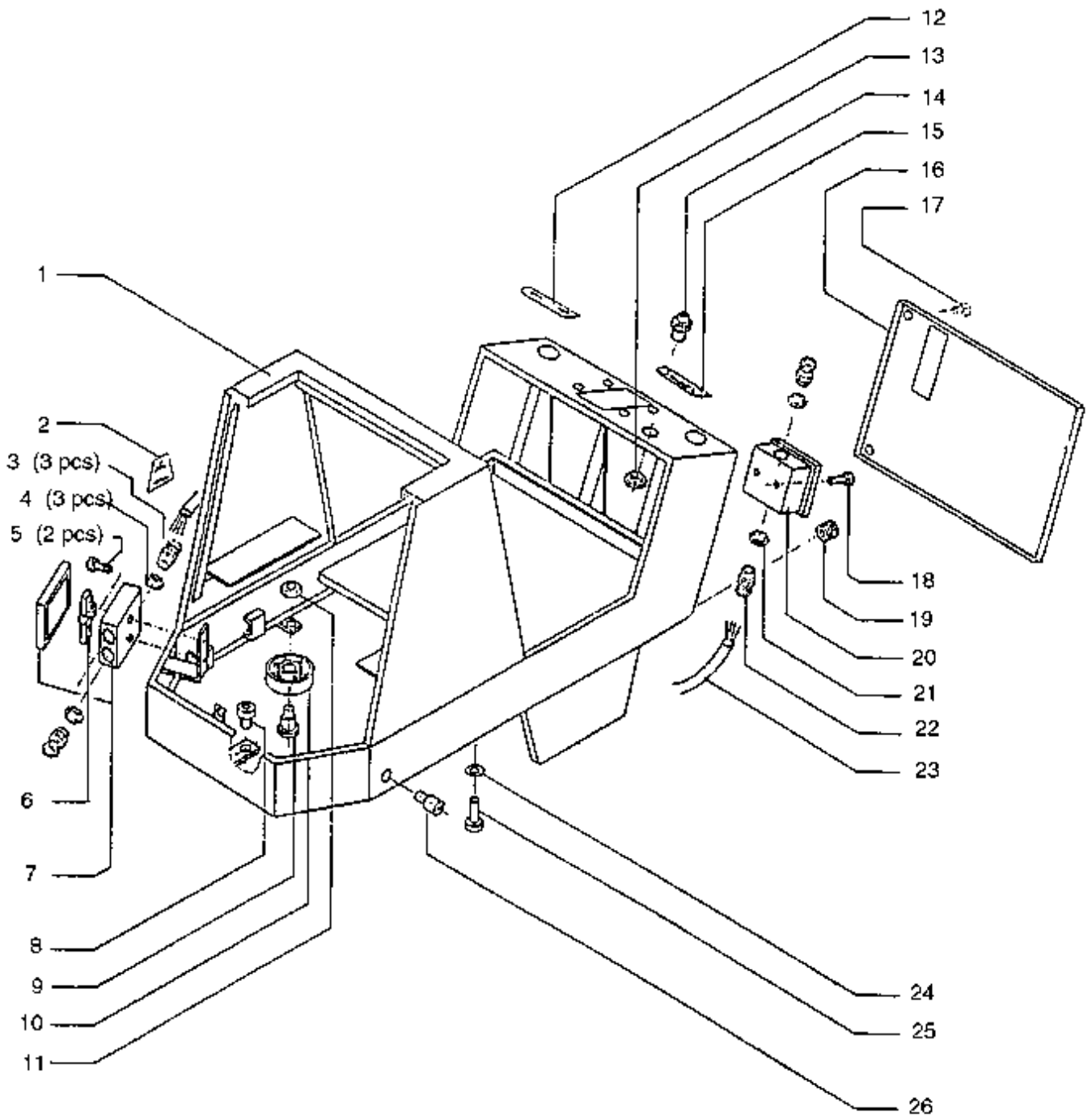
Part List ID
DX3612

C 51

3

A

B



SPARE PARTS ACCESSORIES

C 51

18-10-2014

Part List ID

LX3612

4

Pos	Part no.	Qty	Description
1	L08208100	1	Base C51
2	L08235600	1	Symbol plate C51
3	L08239100	3	Clamp C51 handle lift ass
4	L08239200	3	Nut C51 handle lift assy
5	L08070400	2	Screw 400A handle
6	L08223800	1	Terminal assy C51
7	L08223901	1	TERMINAL BOX CPL
8	L08224100	1	Screw tank assy C51
9	L08000700	1	Stud B54 Squeegee Assy
10	L08222800	1	Wheel base assy C51
11	L08250900	1	Nut C51 base assy m/stl
12	L08235500	1	Symbol plate C51
13	L08192900	1	Nut 421A mtr cover
14	L08192800	1	Clamp 421A motor cover
15	L08235400	1	Symbol plate C51
16	L08208400	1	Rear panel C51
17	L08208000	1	Screw C51 handle assy
18	L08070400	2	Screw 400A handle
19	L08083400	1	Grommet 400 handle assy
20	L08223901	1	TERMINAL BOX CPL
21	L08239100	2	Clamp C51 handle lift ass
22	L08239200	2	Nut C51 handle lift assy
23	L08223600	1	Cable C51
24	L08228600	2	Washer
25	L08043800	2	Screw B54
26	L08228700	2	Screw C51 base assy

SPARE PARTS ACCESSORIES

18-10-2014

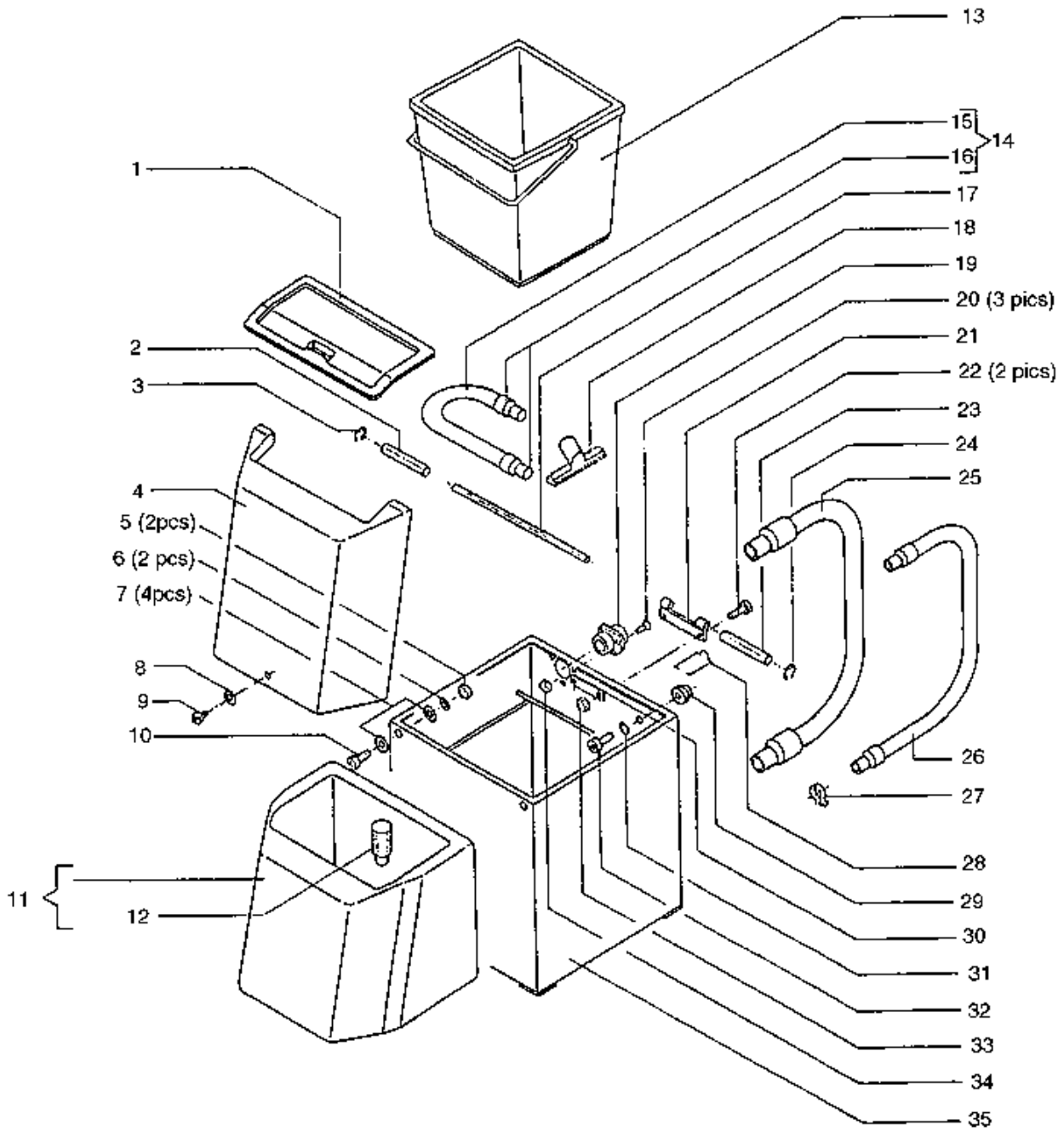
Part List ID
DX3613

C 51

5

C

D



SPARE PARTS ACCESSORIES

C 51

18-10-2014

Part List ID

LX3613

6

Pos	Part no.	Qty	Description
1	L08208300	1	Cover C51
2	L08211200	1	Bush C51 handle assy
3	L08251300	1	Washer C51 float assy
4	L08208200	1	Cover C51
5	33005562	2	NUT SELF L. M6 UNI7473
6	L08035800	2	Washer suction skirt
7	L08228600	4	Washer
8	L08242900	1	Washer V42 motor cover
9	L08344200	1	Screw 545 spray btl brack
10	L08043800	1	Screw B54
11	L08601066	1	Tank with filter C51
12	L08217900	1	Filter C51 tank OBSOLETE
13	L08217000	1	Container C51
14	L08219400	1	Hose 25mm C51
15	L08235200	1	Hose C51
16	L08211900	1	Hose stud C51
17	L08221400	1	Shaft float assy C51
18	L08222400	1	Nozzle 32mm C51
19	L08217100	1	Hose socket C51
20	L08201000	3	Screw suction ring
21	L08221300	1	Holder float assy C51
22	L08043800	2	Screw B54
23	L08211200	1	Bush C51 handle assy
24	L08251300	1	Washer C51 float assy
25	L08219300	1	Hose cpl C51
26	L08219500	1	Hose waste water C51
27	L08236100	1	Hose clamp
28	L08217300	1	Holder hose assy C51
30	L08251100	1	Strip C51 tank assy
31	L08050400	1	Slot washer blower mtr
32	L08043800	1	Screw B54
33	33005562	1	NUT SELF L. M6 UNI7473
34	L08200500	3	Nut C51 dust filter
35	L08216700	1	CONTAINER

SPARE PARTS ACCESSORIES

C 51

18-10-2014

Part List ID
DX3614

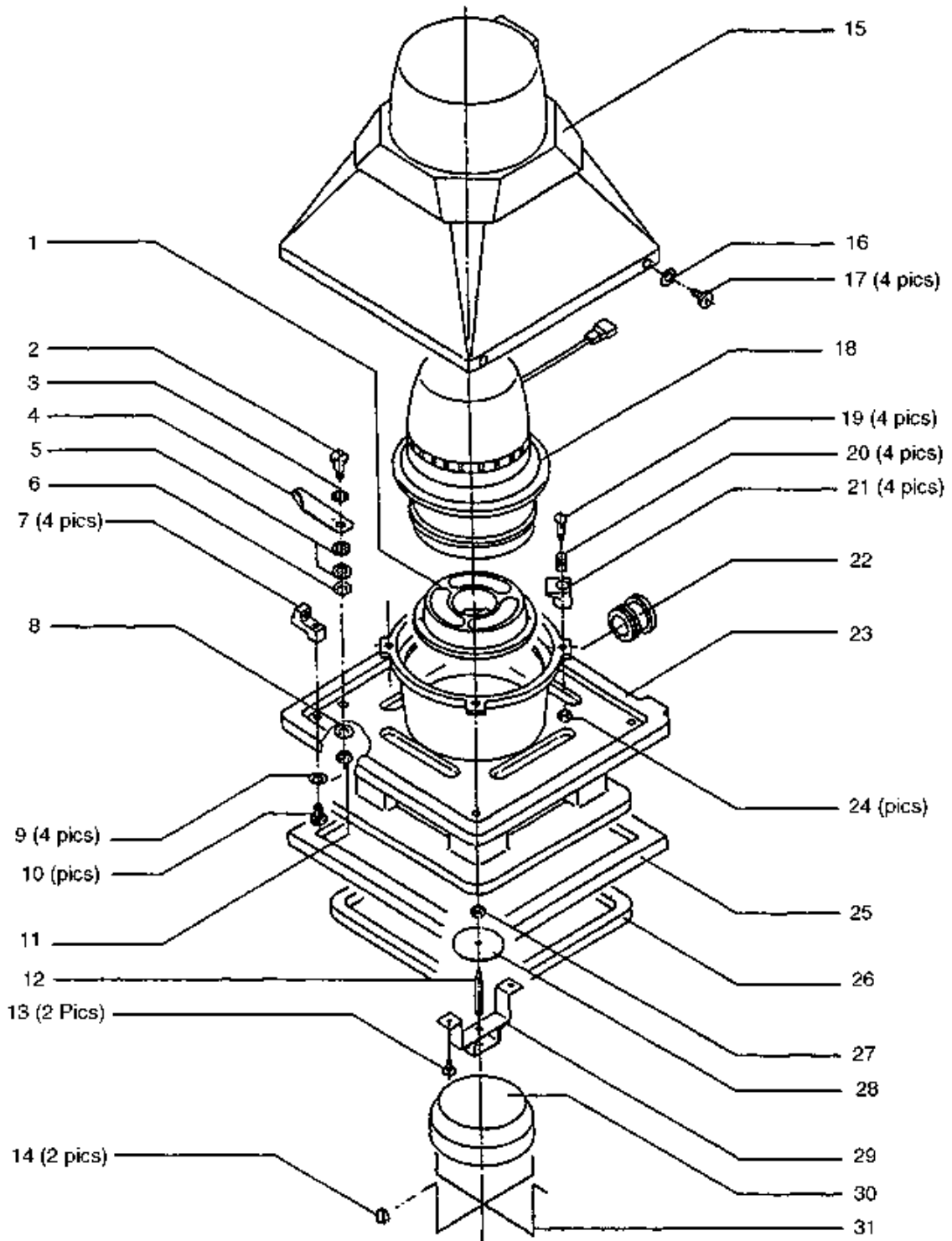
7

E

F

NEUE TURNINE - (siehe Plan 159 Z)

NEW TURBINE - (see plan 159 Z)



SPARE PARTS ACCESSORIES

C 51

18-10-2014

Part List ID

LX3614

8

Pos	Part no.	Qty	Description
1	L08407400	1	Dust filter cpl C51 OBSOLETE
2	L08236800	1	Screw C51 float assy
3	L08163500	1	Washer 421A motor assy
4	L08236700	1	Holder C51 float assy
6	L08215400	1	Washer C51 float assy
7	L08221600	4	Block motor assy C51
8	L08215400	1	Washer C51 float assy
9	L08242900	4	Washer V42 motor cover
10	L08221500	4	Screw motor cover C51
11	L08250900	1	Nut C51 base assy m/stl
12	L08220900	1	Screw filter assy C51
13	L08243900	2	Screw C51 float assy
14	L08251200	2	Nut C51 float assy
15	L08222300	1	Cover C51 motor assy
16	L08242900	1	Washer V42 motor cover
17	L08221500	4	Screw motor cover C51
19	L08220100	4	Screw filter assy C51
20	L08220200	4	Spring filter assy C51
21	L08220300	4	Holder filter assy C51
22	L08306000	1	Seal and jacket C51 float
23	L08214200	1	Suction housing C51
24	33005562	4	NUT SELF L. M6 UNI7473
25	L08221800	1	Seal float assy C51
28	L08221000	1	Washer filter assy C51
29	L08220700	1	Bracket filter assy C51
30	L08221100	1	Float C51
31	L08221200	1	Basket float assy C51

SPARE PARTS ACCESSORIES

18-10-2014

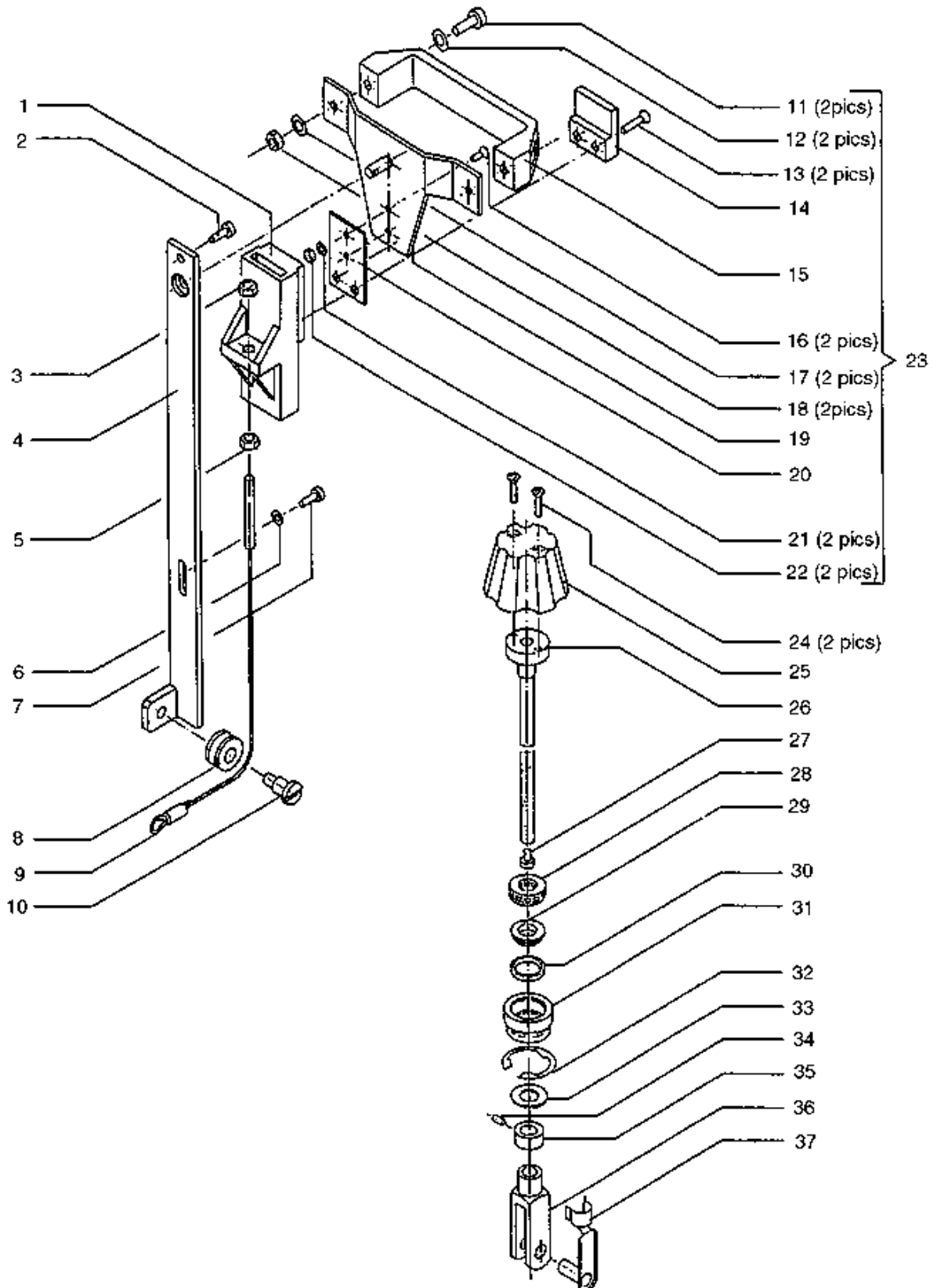
Part List ID DX3615

C 51

9

G

H



SPARE PARTS ACCESSORIES

C 51

18-10-2014

Part List ID
LX3615

10

Pos	Part no.	Qty	Description
1	L08214800	1	Bracket C51 lift assy
2	L08060400	1	Screw 400A handle
3	33005562	1	NUT SELF L. M6 UNI7473
4	L08214700	1	Guide rod C51 lift assy
5	33005562	1	NUT SELF L. M6 UNI7473
6	L08040400	1	Slot Washer
7	L08060400	1	Screw 400A handle
8	L08234100	1	Rope pulley C51
9	L08214300	1	Tackle C51
10	L08234600	1	Screw C51 lift assy
11	L08249100	2	Screw C51 handle lift ass
12	L08050400	2	Slot washer blower mtr
13	L08274600	2	Screw V42 base assy
14	L08320400	1	Stop C51 handle lift assy
15	L08215100	1	Lift handle C51
16	L08101900	2	Screw spray system
17	L08035800	2	Washer suction skirt
18	33005562	2	NUT SELF L. M6 UNI7473
19	L08214900	1	Latch plate C51 lift assy
20	L08215000	1	Spring plate C51 lift ass
21	33005862	2	WASHER M4 UNI8842A
22	L08200500	2	Nut C51 dust filter
23	L08209000	1	Lift handle cpl C51
24	L08215300	2	Screw C51 float assy
25	L08215900	1	Control grip C51
26	L08216000	1	Thread rod C51 float assy
27	L08234800	1	Screw C51 base assy
28	L08215600	1	Bearing C51
29	L08231100	1	Washer C51 lift assy
30	L08231200	1	Washer C51 lift assy
33	L08601166	1	PAD 10.5 VZ
34	L08242100	1	Screw C51 handle lift
35	L08242000	1	Ring C51 handle lift
36	L08215700	1	Forkhead C51
37	L08215800	1	Bolt C51 forkhead

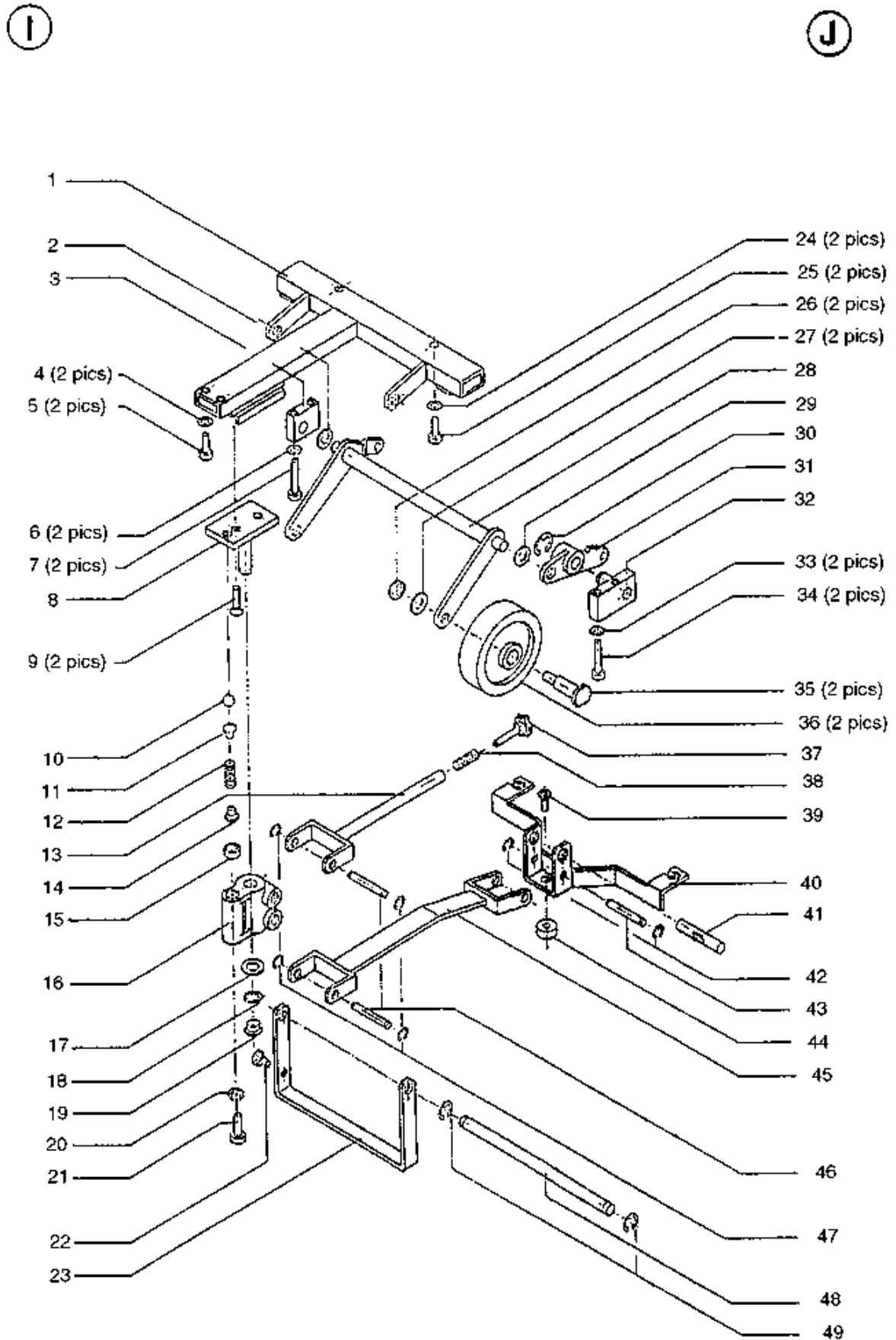
SPARE PARTS ACCESSORIES

18-10-2014

Part List ID
DX3616

C 51

11



SPARE PARTS ACCESSORIES

C 51

18-10-2014

Part List ID
LX3616

12

Pos	Part no.	Qty	Description
1	L08208500	1	Rack C51
2	L08251600	1	Washer C51 tackle assy
3	L08211600	1	Block C51 wheel assy
4	L08050400	2	Slot washer blower mtr
5	L08061800	2	Screw 510 mre assy
6	L08035800	2	Washer suction skirt
7	L08210000	2	Screw C51 base assy
8	L08213500	1	Bolt C51 wheel assy
10	L08212000	1	Ball C51 wheel assy
11	L08233600	1	Bolt C51 base assy
12	L08234400	1	Spring C51 base assy
13	L08291400	1	Bar C51 squeegee sys
14	L08233600	1	Bolt C51 base assy
15	L08212200	1	Bush C51 wheel assy
16	L08213900	1	Holder C51 wheel assy y
17	L08602657	1	DISC WITH HOSE
18	L08247600	1	Washer C51 wheel assy
19	L08214100	1	Stopper C51 wheel assyy
20	L08250900	1	Nut C51 base assy m/stl
21	L08234500	1	Screw C51 base assy
22	L08214600	1	Screw C51 wheel assy
23	L08214400	1	Bar C51 wheel assy y
24	L08050400	2	Slot washer blower mtr
25	L08061800	2	Screw 510 mre assy
26	L08209600	2	Nut C51 wheel assy
27	L08209500	2	Washer C51 wheel
29	L08251600	1	Washer C51 tackle assy
30	L08073500	1	Washer wheel axle 510B
31	L08210700	1	Lever C51 base assy
32	L08209800	1	Holder C51
33	L08035800	2	Washer suction skirt
34	L08210000	2	Screw C51 base assy
35	L08209300	2	Bolt C51 wheel assy ***** obsolete *****
36	L08209400	2	Wheel C51 OBSOLETE
37	L08324100	1	Screw star grip C51
38	L08327200	1	Spring C51 squeegee assy
39	L08264900	1	Screw C51 tackle assy
40	L08212500	1	Holder C51 wheel assy
41	L08212600	1	Bolt C51 wheel assy
42	L08211800	1	Circlip C51 wheel assy
43	L08213400	1	Bolt C51 wheel assy
44	L08257100	1	Stop C51 squeegee assy
45	L08213300	1	Joint ledge C51 wheel ass

SPARE PARTS ACCESSORIES

C 51

18-10-2014

Part List ID
LX3616

13

Pos	Part no.	Qty	Description
46	L08213400	1	Bolt C51 wheel assy
47	L08211800	1	Circlip C51 wheel assy
48	L08214500	1	Rod C51 base assy
49	L08044600	1	Circlip 421A wheel axle

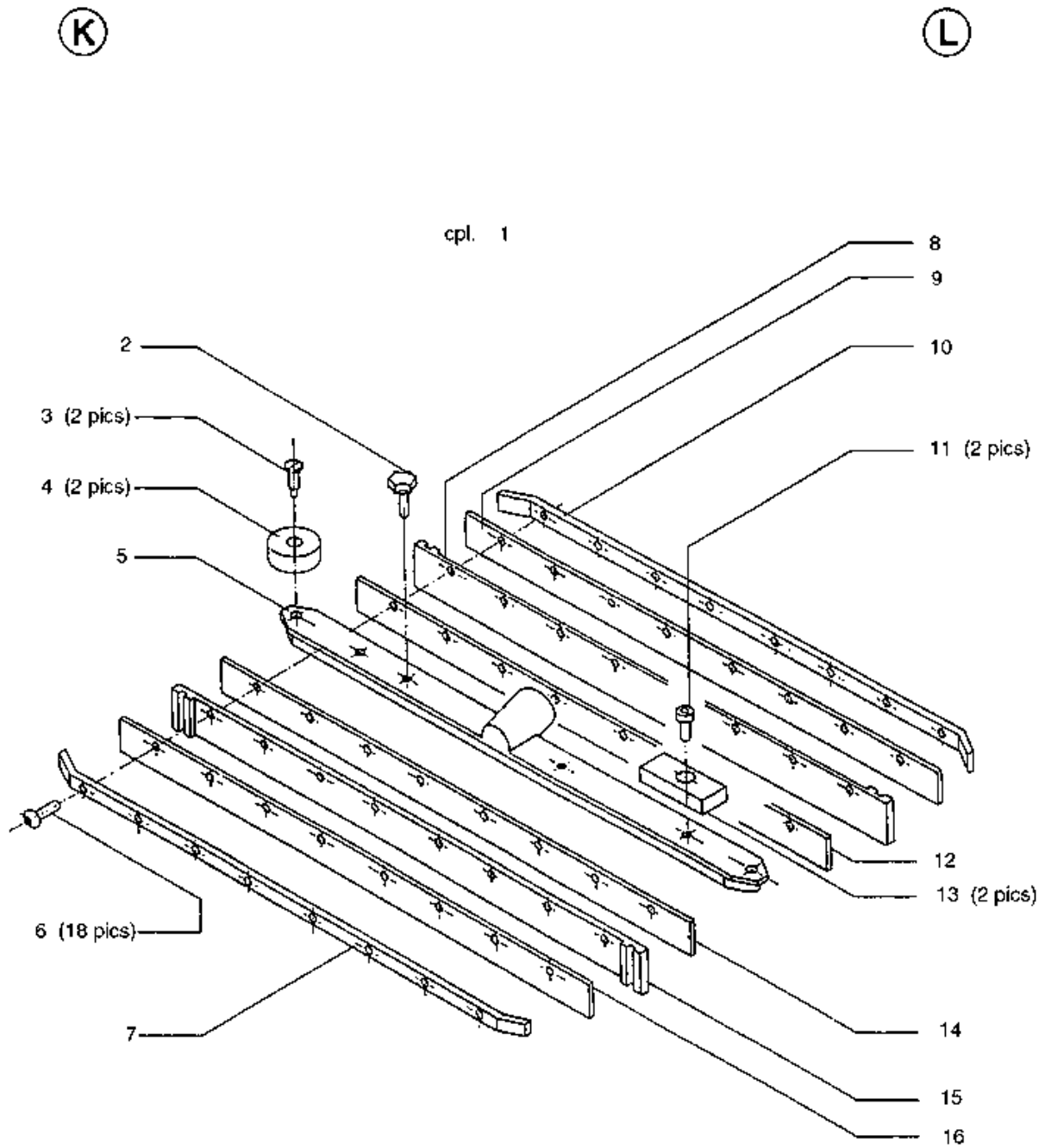
SPARE PARTS ACCESSORIES

C 51

18-10-2014

Part List ID
DX3617

14



SPARE PARTS ACCESSORIES

C 51

18-10-2014

Part List ID
LX3617

15

Pos	Part no.	Qty	Description
1	L08219700	1	Squeegee tool C51 obsolete
2	L08212800	1	S/S By 08602354
3	L08000700	2	Stud B54 Squeegee Assy
4	L08222800	2	Wheel base assy C51
5	L08222900	1	Squeegee lip C51
6	L08222700	18	Screw lift assy C51
7	L08223000	1	Squeegee lip holder C51
8	L08223100	1	Wiper blade C51
9	L08223200	1	Lip C51 squeegee assy OBSOLETE
10	L08223000	1	Squeegee lip holder C51
11	L08043800	1	Screw B54
12	L08223200	1	Lip C51 squeegee assy OBSOLETE
13	L08238500	2	Bush C51 base assy
14	L08223200	1	Lip C51 squeegee assy OBSOLETE
15	L08223100	1	Wiper blade C51
16	L08223200	1	Lip C51 squeegee assy OBSOLETE

SPARE PARTS ACCESSORIES

C 51

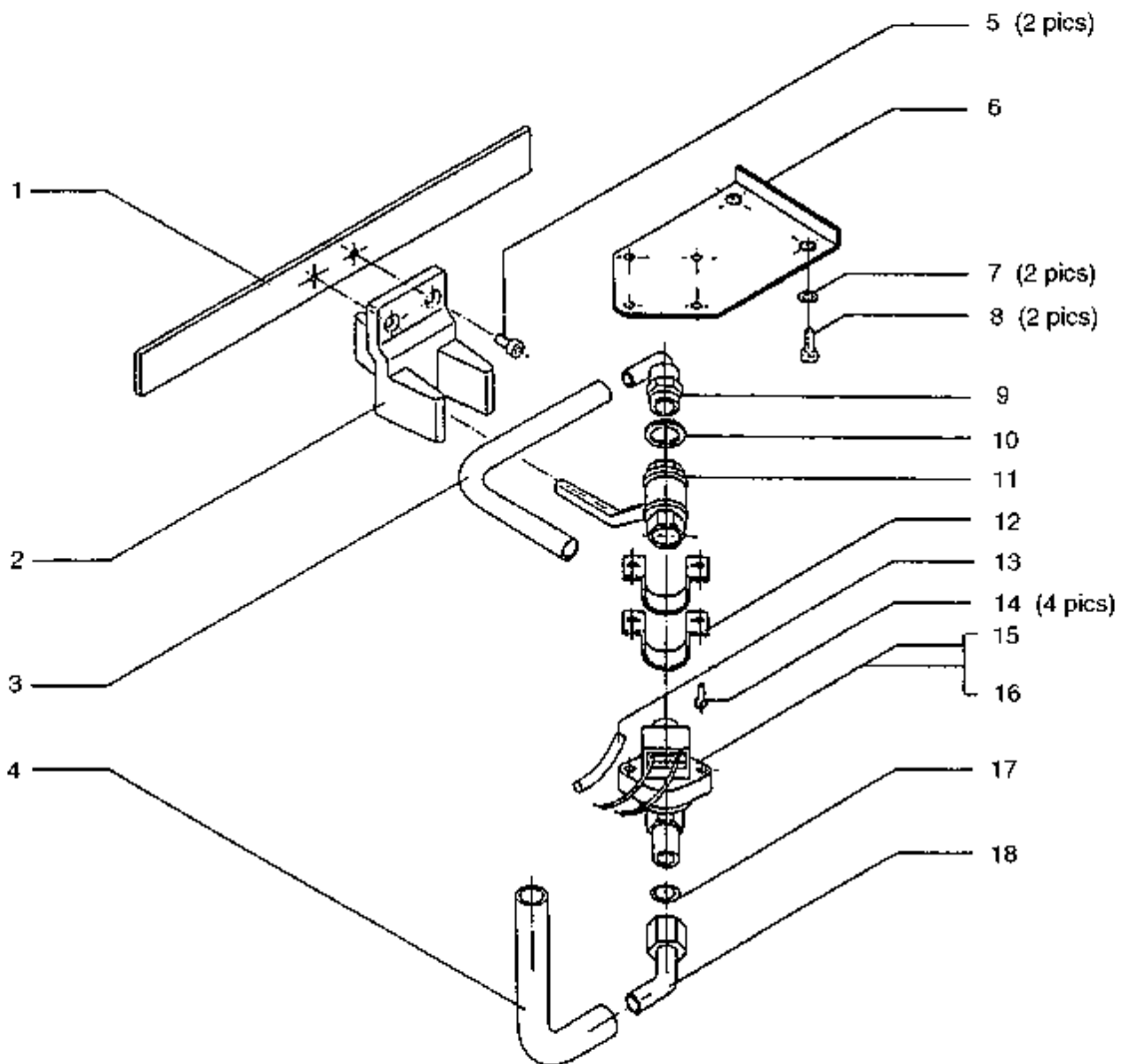
18-10-2014

Part List ID
DX3618

16

(M)

(N)



SPARE PARTS ACCESSORIES

C 51

18-10-2014

Part List ID

LX3618

17

Pos	Part no.	Qty	Description
1	L08226200	1	Ledge C51 base assy
2	L08226300	1	Slide C51 base assy
3	L08225800	1	Hose C51
4	L08601065	1	HOSE
5	L08234800	2	Screw C51 base assy
6	L08226100	1	Holder C51 base assy
7	L08050400	2	Slot washer blower mtr
8	L08043800	2	Screw B54
9	L08225600	1	Hose adaptor C51
10	L08226400	1	Seal C51 tank assy
11	L08225200	1	Tap C51 tank assy
12	L08226000	1	Hose saddle C51
13	L08239800	1	Hose C51
14	L08220000	4	Use 08243900
15	L08224200	1	Solenoid valve 110v C51
16	L08224400	1	Solenoid valve 240v C51
17	L08601070	1	O ring C51 tank assy
18	L08600414	1	Angle tube C38 solenoid

SPARE PARTS ACCESSORIES

18-10-2014

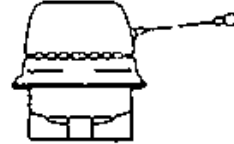
Part List ID DX3619

C 51

18

O

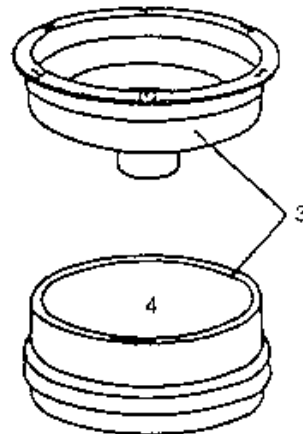
GTES-ch-motor 1 XX



NB! All other spare parts - than below mentioned - to be ordered by A/S Fisker & Nielsen ~ cf. Book 1 - plan 152 and 153.



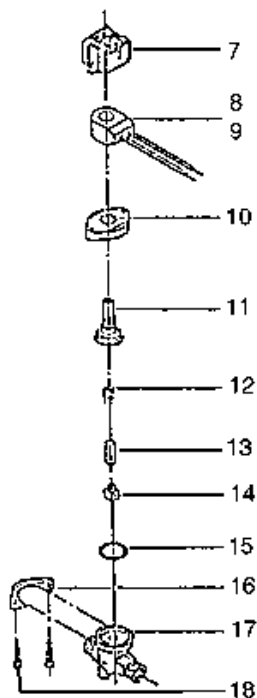
2 CABLE 910 mm.



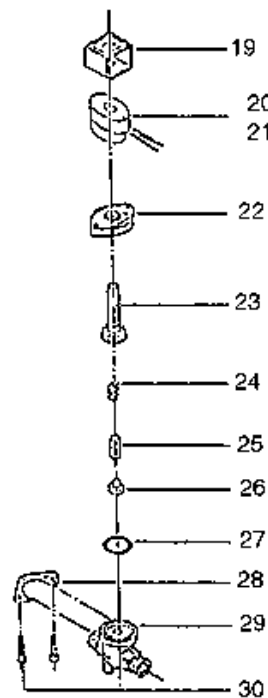
P

compl. 5 110/125 V 50/60 HZ
6 220/250 V 50/60 HZ

FROM SERIAL NO. 502550



8 110/125V 50/60Hz
9 220/250V 50/60Hz



110/125V 50/60HZ
220/250V 50/60HZ

SPARE PARTS ACCESSORIES

C 51

18-10-2014

Part List ID

LX3619

19

Pos	Part no.	Qty	Description
2	L08219800	1	Flex 910mm C51
3	L08241700	1	Gtesch motor base C51
4	L08240200	1	Support C51 mtr base
5	L08224200	1	Solenoid valve 110v C51
6	L08224400	1	Solenoid valve 240v C51
7	L08247900	1	Support C51 coil
8	L08248900	1	Coil 110v C51 solenoid
9	L08224400	1	Solenoid valve 240v C51
10	L08248100	1	Valve body upper C51
11	L08248200	1	Guide tube C51 valve
12	L08248300	1	Armature spring C51
13	L08248400	1	Armature C51 solenoid
14	L08249000	1	Valve plate C51 solenoid
15	L08248500	1	Washer C51 solenoid
16	L08248600	1	Holder C51 solenoid
17	L08248700	1	Valve body lower C51
18	L08248800	1	Screw C51 solenoid
21	L08316300	1	SPOOL
22	L08248100	1	Valve body upper C51
23	L08316400	1	TUBE CPL.
24	L08248300	1	Armature spring C51
25	L08248400	1	Armature C51 solenoid
26	L08249000	1	Valve plate C51 solenoid
27	L08248500	1	Washer C51 solenoid
28	L08248600	1	Holder C51 solenoid
29	L08248700	1	Valve body lower C51
30	L08248800	1	Screw C51 solenoid

SPARE PARTS ACCESSORIES

18-10-2014

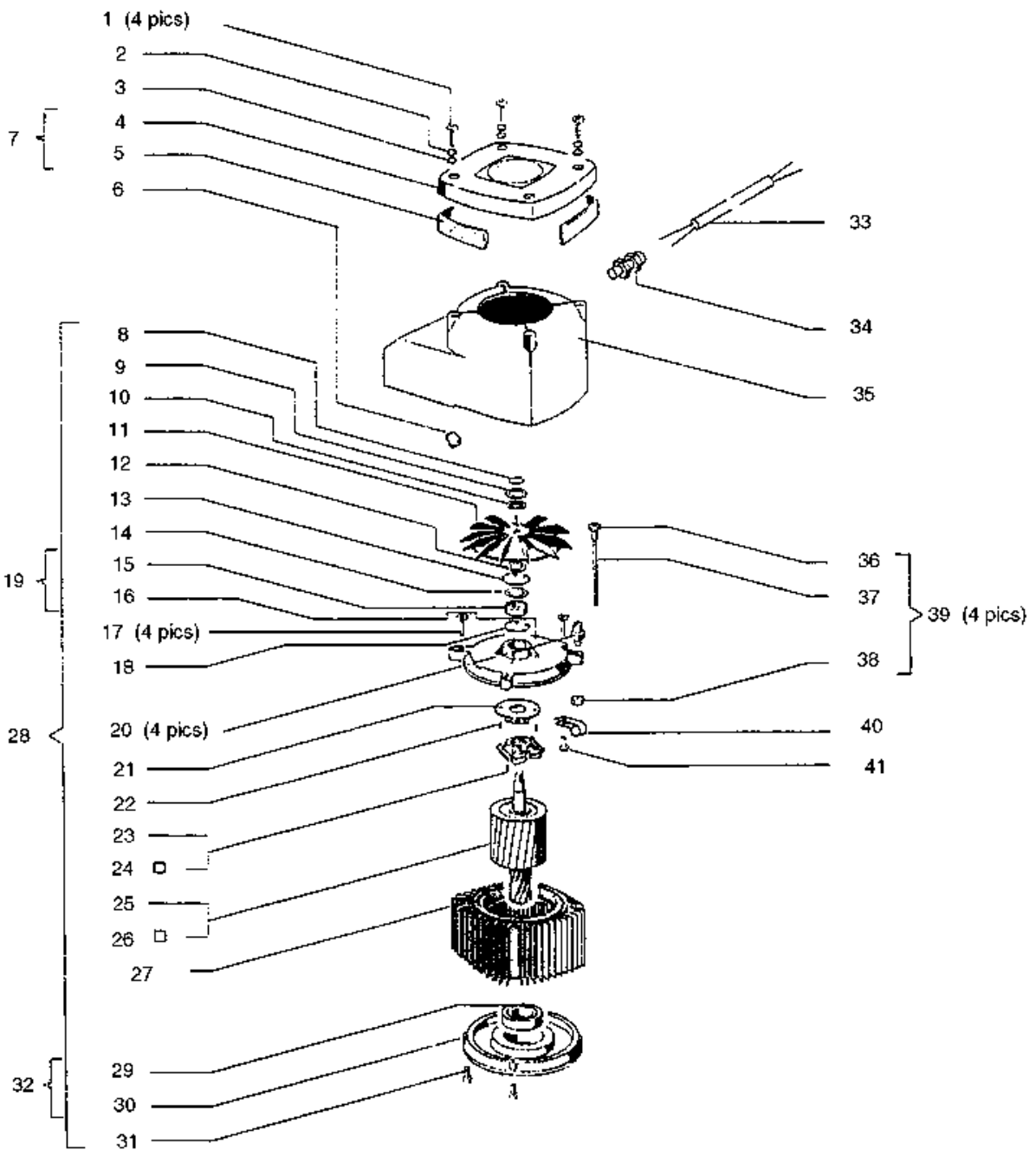
Part List ID DX36110

C 51

20

Q

R



SPARE PARTS ACCESSORIES

C 51

18-10-2014

Part List ID
DX36110

21

Pos	Part no.	Qty	Description
1	L08182800	4	Screw motor top 421A
2	L08040400	1	Slot Washer
3	L08040500	1	Fibre disc 400 mtr assy
4	L08266000	1	Motor cover c/w buff 421A
5	L08180900	1	Buffer mtr cover 421A
6	L08192900	1	Nut 421A mtr cover
8	L08182600	1	Bearing circlip 421A
9	L08183300	1	Washer top fan 421A
10	L08163500	1	Washer 421A motor assy
11	L08166900	1	Fan motor top 421A
12	L08183300	1	Washer top fan 421A
13	L08040900	1	Circlip star wheel assy
14	L08601171	1	BEARING
15	L08040800	1	Top bearing star wheel
17	L08199800	4	Screw
18	L08040900	1	Circlip star wheel assy
19	L08185300	1	MOTOR HOUSING TOP
20	L08185500	4	Insulating bush 421A
21	L08041000	1	Centre switch 421A
22	L08041100	1	Screw blower old style
23	L08041200	1	Centre switch lower 421A
24	L08045600	1	SWITCH
25	L08190400	1	Rotor c/w shaft 50Hz 511A
26	L08190500	1	ROTOR W.SHAFT 60HZ
29	L08051600	1	Bearing 511A mtr
31	L08183000	4	Screw stator plate 421A
32	L08184900	1	END PLATE
33	L08223700	1	Cable motor assy C51
34	L08192800	1	Clamp 421A motor cover
36	L08167300	1	Nut motor casing 421A
37	L08167600	1	Pin motor top 511A
38	L08081100	1	Nut handle ratchet assy
39	L08189800	4	Screw motor top 421A
40	L08239900	1	CLAMP

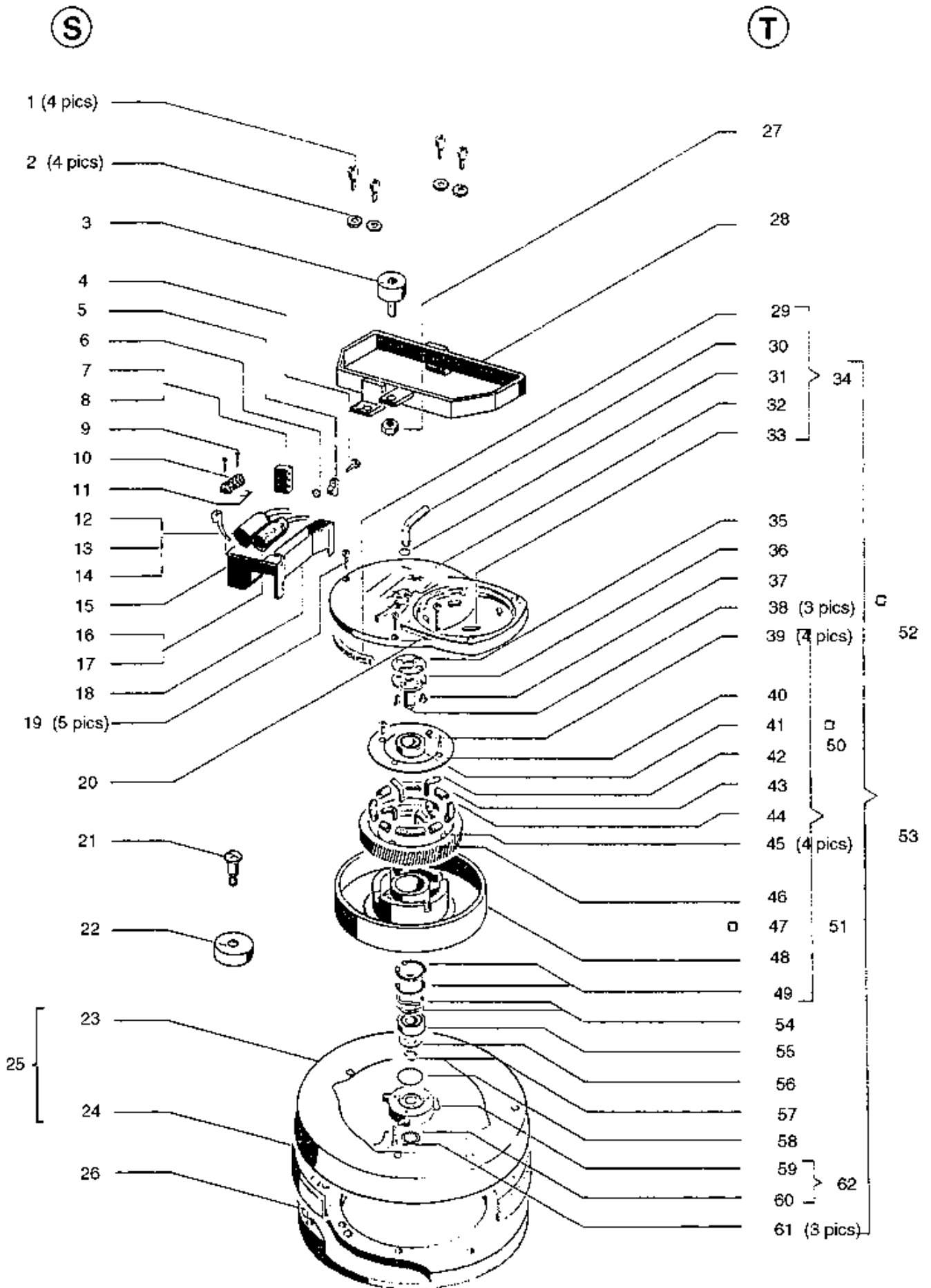
SPARE PARTS ACCESSORIES

C 51

18-10-2014

Part List ID DX36111

22



SPARE PARTS ACCESSORIES

C 51

18-10-2014

Part List ID
DX36111

23

Pos	Part no.	Qty	Description
2	L08050400	4	Slot washer blower mtr
4	L08101900	1	Screw spray system
5	L08193000	1	Clamp 421A
6	33005500	1	NUT HEX M4 UNI5588
7	L08188500	1	Switch 421A motor
8	L08046000	1	Switch 60Hz 400A
9	L08095900	1	Screw blower SG4
10	L08048900	1	Terminal 420A mtr
12	L08188900	1	Condenser
13	L08184700	1	Condenser 40MF 421A
14	L08188900	1	Condenser
16	L08048600	1	Condenser 421A
17	L08364000	1	Condenser
19	L08182900	5	Screw gear assy 421A
20	L08189500	2	Screw gear housing 421A
21	L08000700	1	Stud B54 Squeegee Assy
22	L08222800	1	Wheel base assy C51
24	L08180800	1	Buffer surround 511A
25	L08233500	1	Weight C51 base
26	L08266300	1	COVER D 460 C 51
27	33005504	1	NUT HEX M8 UNI5588
28	L08218900	1	Carrier C51 motor assy
29	L08054900	1	Felt seal 510B mtr
30	L08197000	1	Tube liquid feeder 421A
31	L08091900	1	Washer shampoo system
32	L08197100	1	Gearing plate 421A
33	L08198500	1	GEARPLATE CPL.
34	L08198500	1	GEARPLATE CPL.
35	L08189900	1	Gasket motor assy 421A
36	L08197300	1	Tube 511A liquid feeder
37	L08183200	1	Screw feed tube 421A
38	L08042500	3	Screw 400 motor assy
39	L08035400	4	Screw M6 x 16
40	L08170000	1	Bearing plate 421A
41	L08183900	1	Ball bearing
42	L08162400	1	Bolt 510B motor assy
43	L08042900	1	Clutch spring short 421A
44	L08042800	1	Clutch spring 421A
45	L08190600	4	PIN M 8
46	L08170700	1	Gear wheel 511A
47	L08183600	1	Gear wheel 60Hz 511A
48	L08170400	1	Gear box 511A
49	33006176	1	SEEGER J47

SPARE PARTS ACCESSORIES

C 51

18-10-2014

Part List ID
DX36111

24

Pos	Part no.	Qty	Description
50	L08191200	1	GEAR BOX 60 HZ CPL.
51	L08191100	1	Gear box 50Hz 511A
52	L08177601	1	GEAR SYSTEM 60HZ-F.C51U
53	L08177501	1	Gearing 511A+C51
54	L08183500	1	Distance washer 421A
55	L08183900	1	Ball bearing
56	L08167900	1	Bearing washer 421A
57	L08182700	1	Bearing circlip 421A
58	L08348500	1	Ring 421A boss assy
60	L08348600	1	Seal 421A boss assy
61	L08183400	3	Screw 421A boss assy
62	L08349000	1	Brush boss 511A

SPARE PARTS ACCESSORIES

18-10-2014

Part List ID DX36112

25

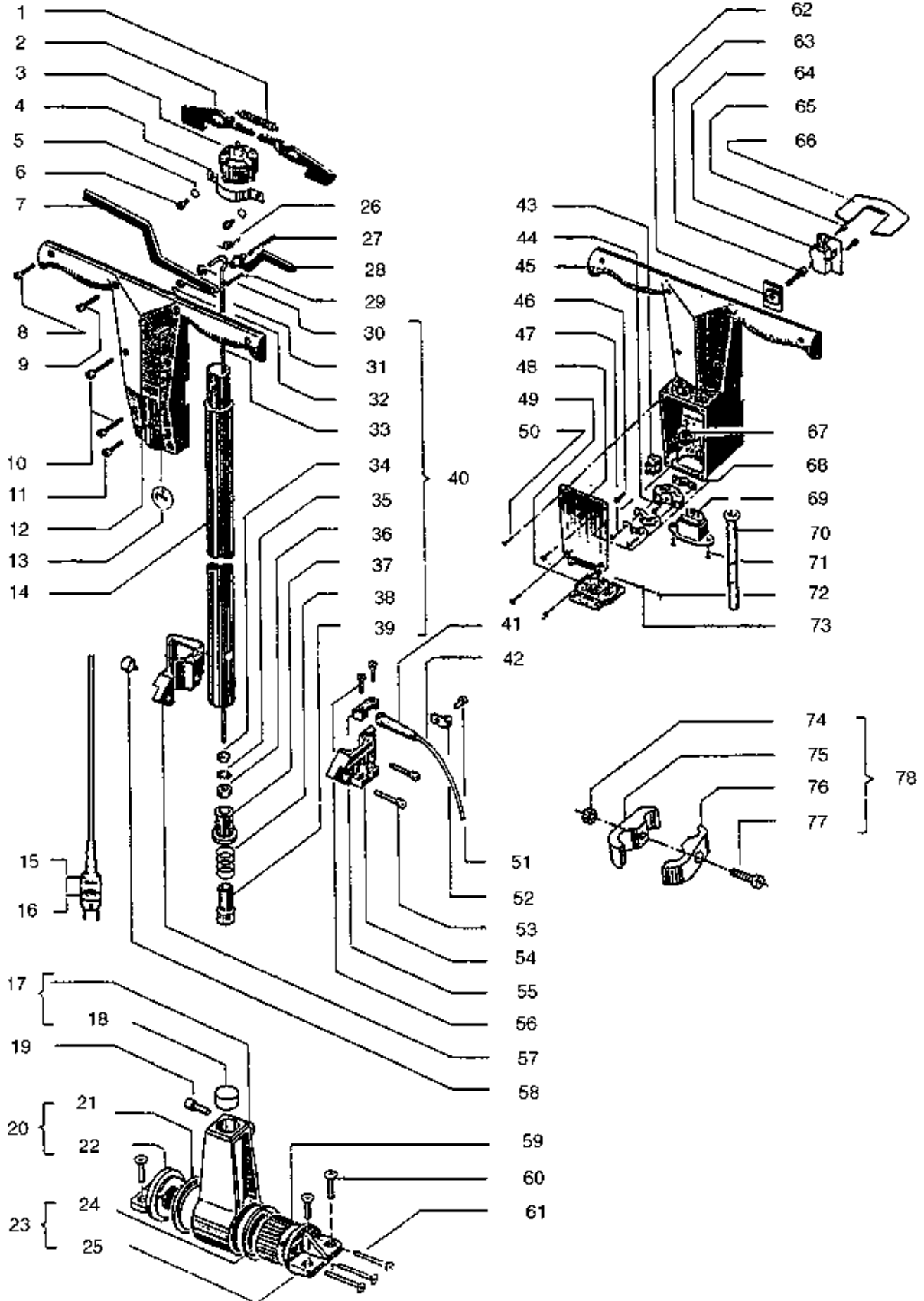
C 51

U

V

W

X



SPARE PARTS ACCESSORIES

C 51

18-10-2014

Part List ID
DX36112

26

Pos	Part no.	Qty	Description
1	L08608541	1	TENSION SPRING
2	L08080200	1	Lever 511A handle assy
3	L08080300	1	Switch 511A handle assy
4	L08088800	1	Clamp
5	33005862	1	WASHER M4 UNI8842A
6	L08070400	1	Screw 400A handle
7	L08080500	1	Lever 511A handle assy
9	L08080800	1	Screw 511A handle
10	L08080900	1	Screw 511A handle
11	L08080700	1	Screw 511A handle
12	L08186300	1	Switch case c/w socket
13	L08241800	1	Symbol C51 handle assy
14	L08601398	1	Handle Tube 440mm
15	L08227100	1	Cable 20mtr C51
16	L08227800	1	CABLE 20M CA340
17	L08188600	1	Ratchet handle release
18	L08346600	1	BEARING
19	33004365	1	SCREW M8X20 UNI5931
20	L08605035	1	HOLDER
21	L08160200	1	Seal handle assy
22	L08605035	1	HOLDER
23	L08605035	1	HOLDER
24	L08160200	1	Seal handle assy
25	L08605035	1	HOLDER
26	L08244200	1	Spring C51 handle assy
27	L08081800	1	Pin handle lever assy
28	L08227600	1	Lever C51 liquid feed
29	L08082000	1	Pivot bar handle assy
30	L08082100	1	Collar handle assy
31	L08082200	1	Washer handle assy
32	L08082300	1	Circlip handle assy
33	L08227200	1	Handle rise bar C51
34	L08081100	1	Nut handle ratchet assy
35	L08040300	1	Spring washer 400 mtr top
36	33005505	1	NUT HEX M10 UNI5588
37	L08081300	1	Sleeve handle ratchet ass
38	L08081400	1	Spring handle rathcet ass
39	L08081500	1	Ratchet handle assy
40	L08226600	1	Handle Rise Bar C51
41	L08088000	1	Grommet 400 handle
42	L08227700	1	Cable C51
43	L08187300	1	Luster terminal
44	L08070400	1	Screw 400A handle

SPARE PARTS ACCESSORIES

C 51

18-10-2014

Part List ID
DX36112

27

Pos	Part no.	Qty	Description
45	L08186200	1	Switch case c/w socket
46	L08093800	1	Screw blower motor SG3
47	L08080600	1	Screw 511A terminal box
48	L08186500	1	Terminal box cover
49	L08186600	1	Ratchet cover
50	L08101900	1	Screw spray system
51	L08105400	1	Screw C51
52	L08239900	1	CLAMP
53	L08043800	1	Screw B54
54	L08601414	1	TRACTION RELIEF
55	L08187000	1	Clamp 421A
56	L08080600	1	Screw 511A terminal box
57	L08601413	1	CABLE HOLDER
58	L08234700	1	Shock absorber C51 hndle
59	L08084500	1	Ratchet segment
60	L08084400	1	Screw brush top
61	L08084700	1	Screw ratchet assy
62	L08228100	1	Holder C51 switch assy
63	L08056400	1	Screw Suction skirt
64	L08227900	1	Switch assy C51
65	L08228000	1	Screw C51 switch assy
66	L08227500	1	Insulation C51 handle ass
67	L08082900	1	RUBBERRING
68	L08080400	1	Cable clamp 511A handle
69	L08187400	1	Socket 2 Phase
70	L08081700	1	Cable sleeve handle
71	L08196200	1	Screw handle assy
72	L08095400	1	Spring terminal box
73	L08095600	1	Pin terminal box
74	L08081100	1	Nut handle ratchet assy
75	L08601415	1	TRACTION RELIEF
76	L08601416	1	TRACTION RELIEF
77	L08080800	1	Screw 511A handle
78	L08601417	1	TRACTION RELIEF

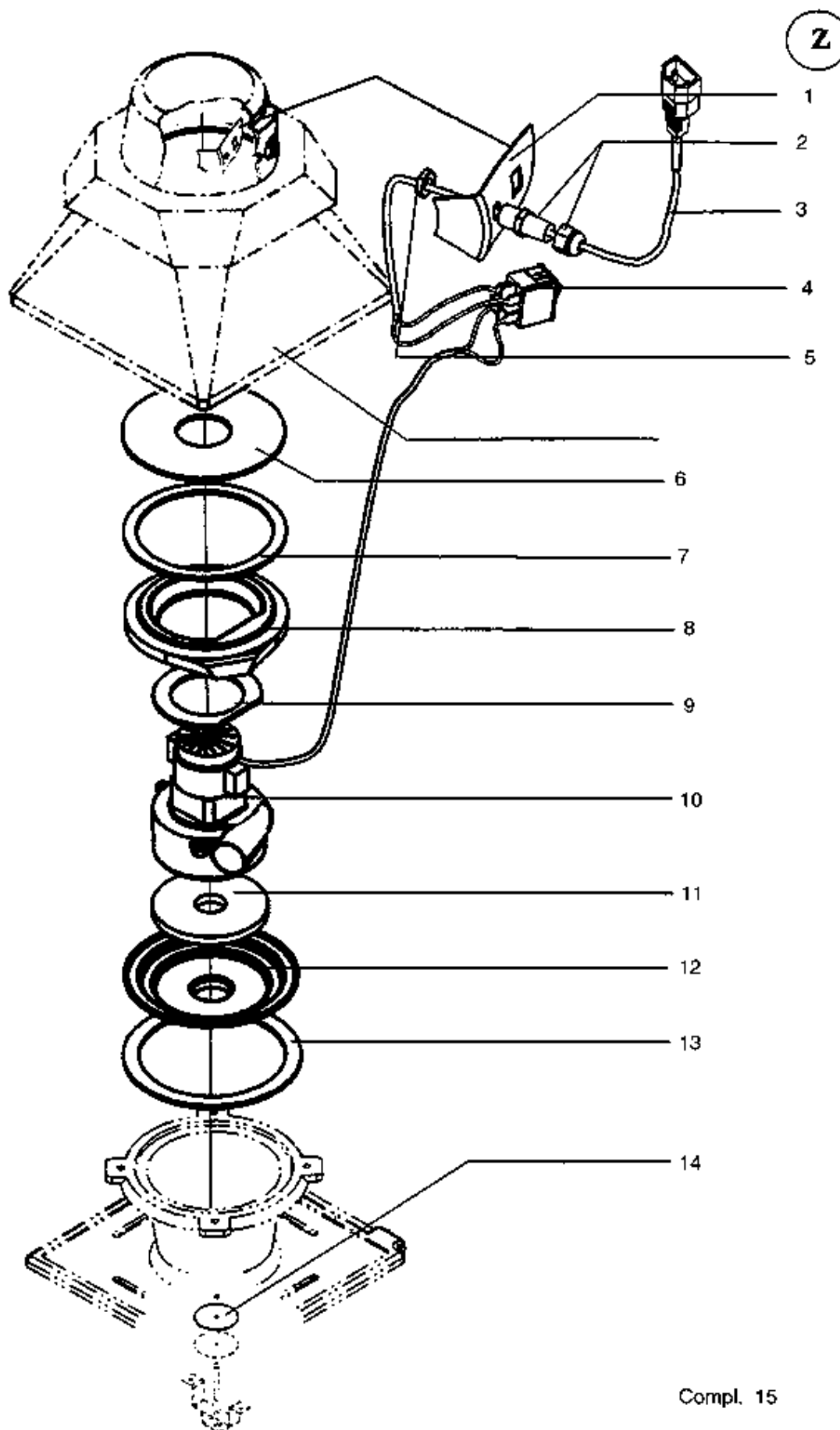
SPARE PARTS ACCESSORIES

18-10-2014

Part List ID DX36113

C 51

28



SPARE PARTS ACCESSORIES

C 51

18-10-2014

Part List ID
DX36113

29

Pos	Part no.	Qty	Description
1	L08602686	1	ANGLE
4	L08602696	1	SWITCH
12	L08602685	1	SUCTION HOLDER LOWER PART
14	L08221000	1	Washer filter assy C51
15	L08602708	1	Gtesch 240v motor

SPARE PARTS ACCESSORIES

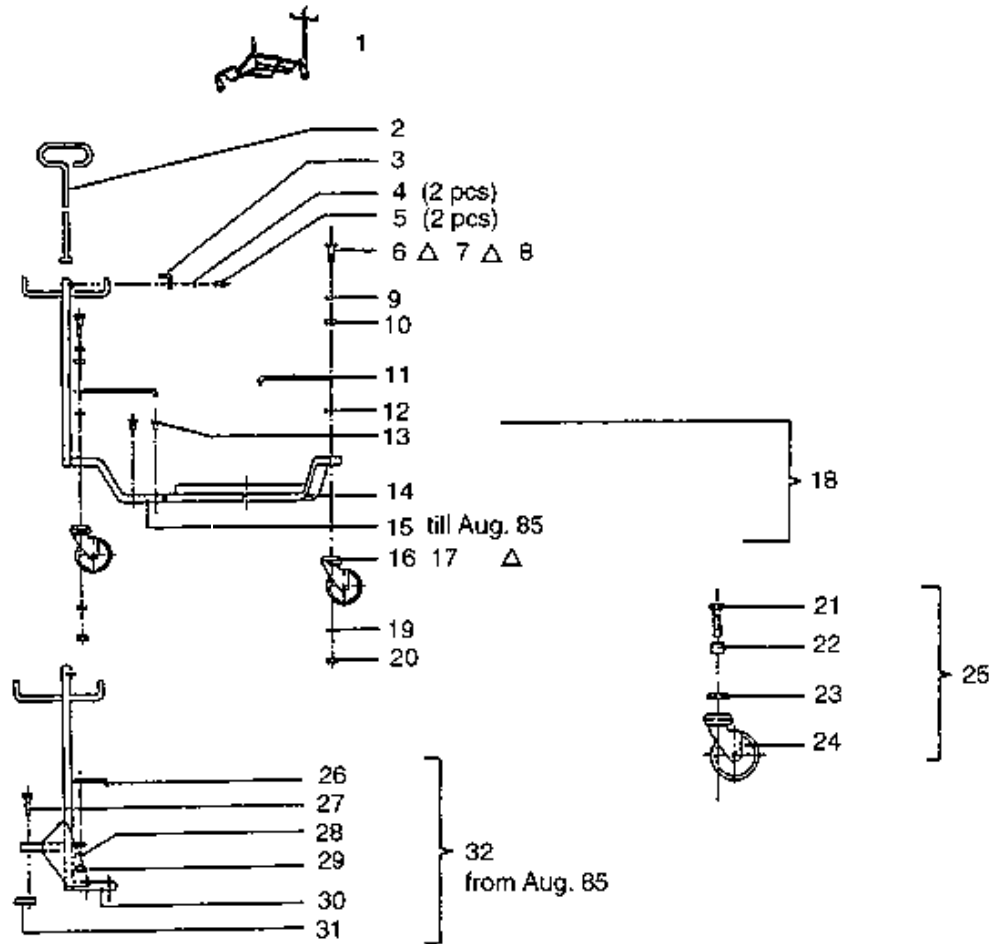
18-10-2014

Part List ID DX36117

C 51

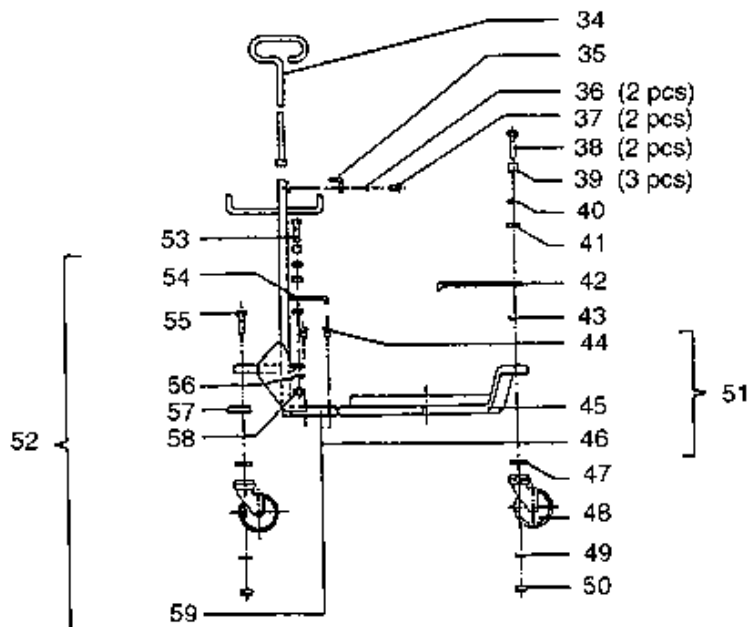
30

(A)



available from May 1986 on
Carriage complete
33

(A)



SPARE PARTS ACCESSORIES

C 51

18-10-2014

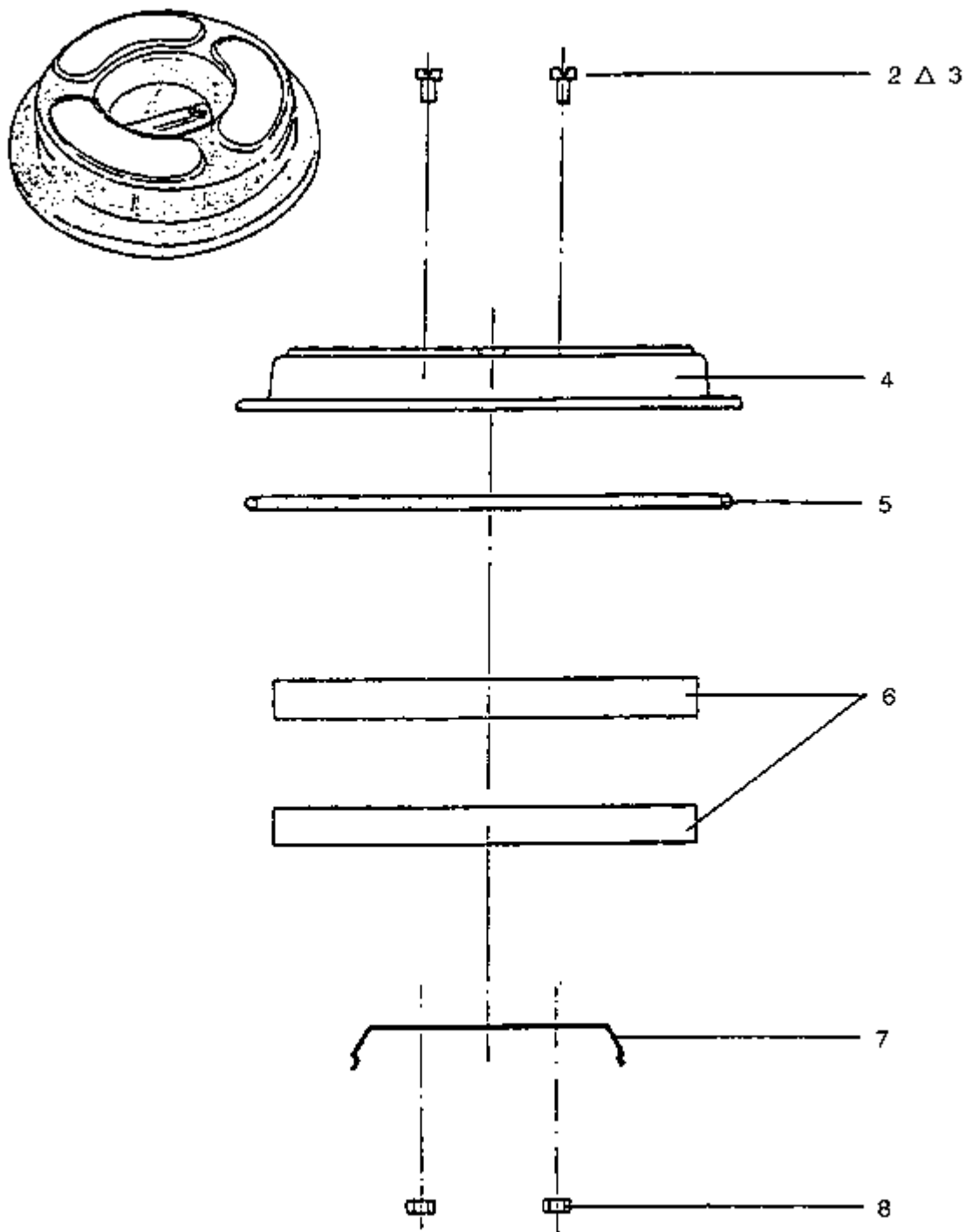
Part List ID
DX36117

31

Pos	Part no.	Qty	Description
1	L08238600	1	Machine Transporter For C
2	L08238100	1	Handle C51 transporter
3	L08238200	1	Catch C51 transporter
4	L08040400	2	Slot Washer
9	L08238300	1	Washer C51 transporter
11	L08237900	1	Angle bar C51 transporter
12	L08238300	1	Washer C51 transporter
13	L08042500	1	Screw 400 motor assy
15	L08238600	1	Machine Transporter For C
16	L08238400	1	Castor
17	L08297400	1	Wheel cpl C51 transporter
18	L08238000	1	CARRIER CPL.
19	L08244100	1	Circlip V42 wheel assy
20	33005505	1	NUT HEX M10 UNI5588
21	L08315000	1	Screw C51 wheel assy
24	L08297300	1	WHEEL
25	L08297400	1	Wheel cpl C51 transporter
27	L08284500	1	Screw C51 transporter
28	L08244100	1	Circlip V42 wheel assy
29	33005505	1	NUT HEX M10 UNI5588
32	L08238600	1	Machine Transporter For C
33	L08238600	1	Machine Transporter For C
34	L08238100	1	Handle C51 transporter
35	L08238200	1	Catch C51 transporter
36	L08040400	2	Slot Washer
38	L08315000	2	Screw C51 wheel assy
40	L08238300	1	Washer C51 transporter
42	L08237900	1	Angle bar C51 transporter
43	L08238300	1	Washer C51 transporter
44	L08042500	1	Screw 400 motor assy
48	L08297300	1	WHEEL
49	L08244100	1	Circlip V42 wheel assy
50	33005505	1	NUT HEX M10 UNI5588
51	L08238000	1	CARRIER CPL.
52	L08238600	1	Machine Transporter For C
53	L08284500	1	Screw C51 transporter
55	L08284500	1	Screw C51 transporter
56	L08244100	1	Circlip V42 wheel assy
58	33005505	1	NUT HEX M10 UNI5588

1 DUST FILTER COMPLETE

B



SPARE PARTS ACCESSORIES

C 51

18-10-2014

Part List ID
DX36118

33

Pos	Part no.	Qty	Description
1	L08407400	1	Dust filter cpl C51 OBSOLETE
2	L08200900	1	Screw suction ring
4	L08244800	1	Filter frame C51
6	L08244900	2	Filter element C51
7	L08245000	1	Clamp C51 dust filter
8	L08200500	1	Nut C51 dust filter

SPARE PARTS ACCESSORIES

18-10-2014

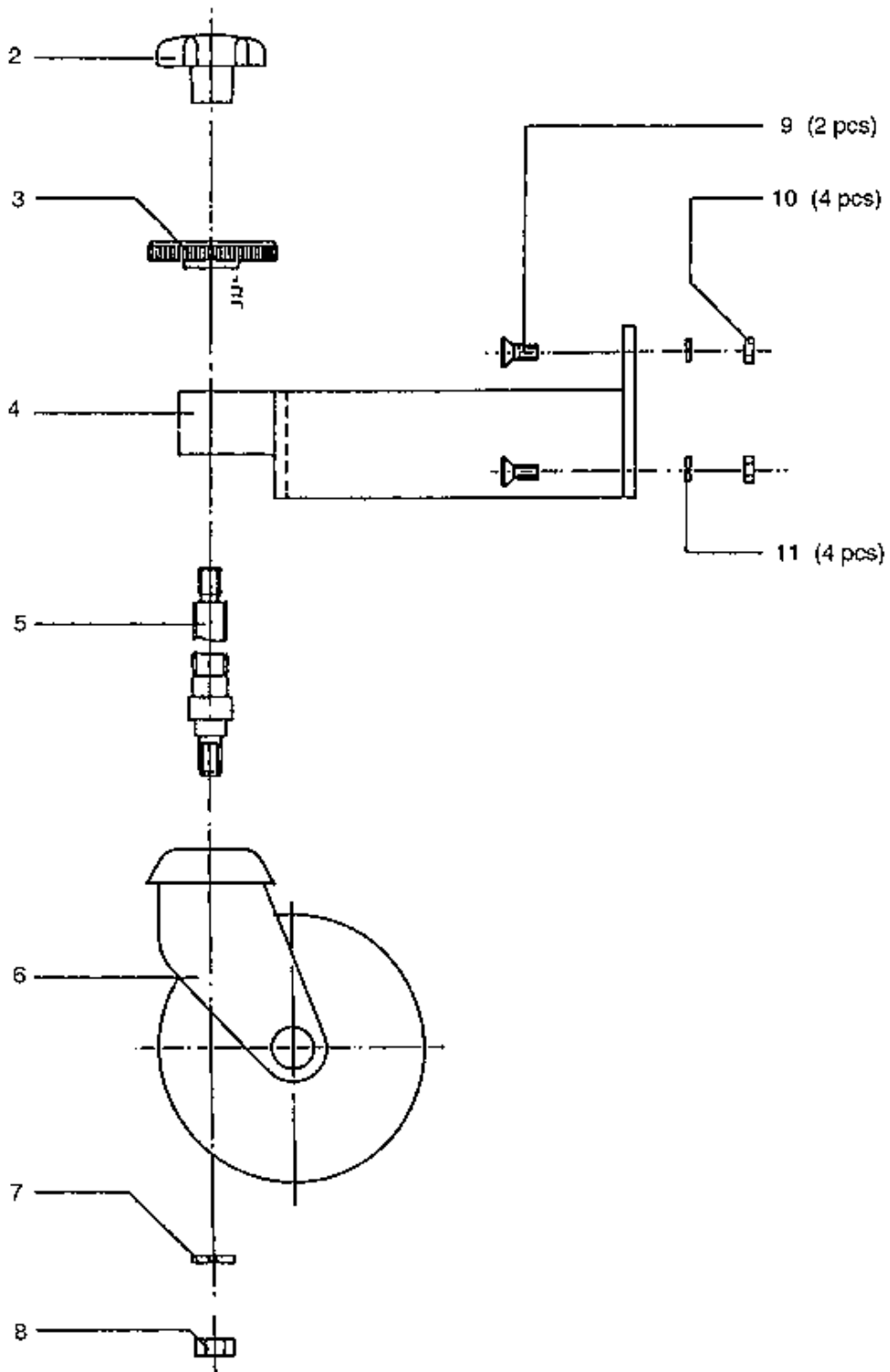
Part List ID DX36119

C 51

34

S

compl. 1



SPARE PARTS ACCESSORIES

C 51

18-10-2014

Part List ID
DX36119

35

Pos	Part no.	Qty	Description
1	L08407500	1	WHEEL C 51
2	L08246000	1	SCREW
3	L08245900	1	NUT M16
5	L08271100	1	BOLT
6	L08222100	1	CASTER WHEEL
7	L08244100	1	Circlip V42 wheel assy
8	33005505	1	NUT HEX M10 UNI5588
9	L08035400	2	Screw M6 x 16
10	33005502	4	NUT HEX M6 UNI5588
11	L08035800	4	Washer suction skirt