

**IPC Integrated Professional Cleaning**

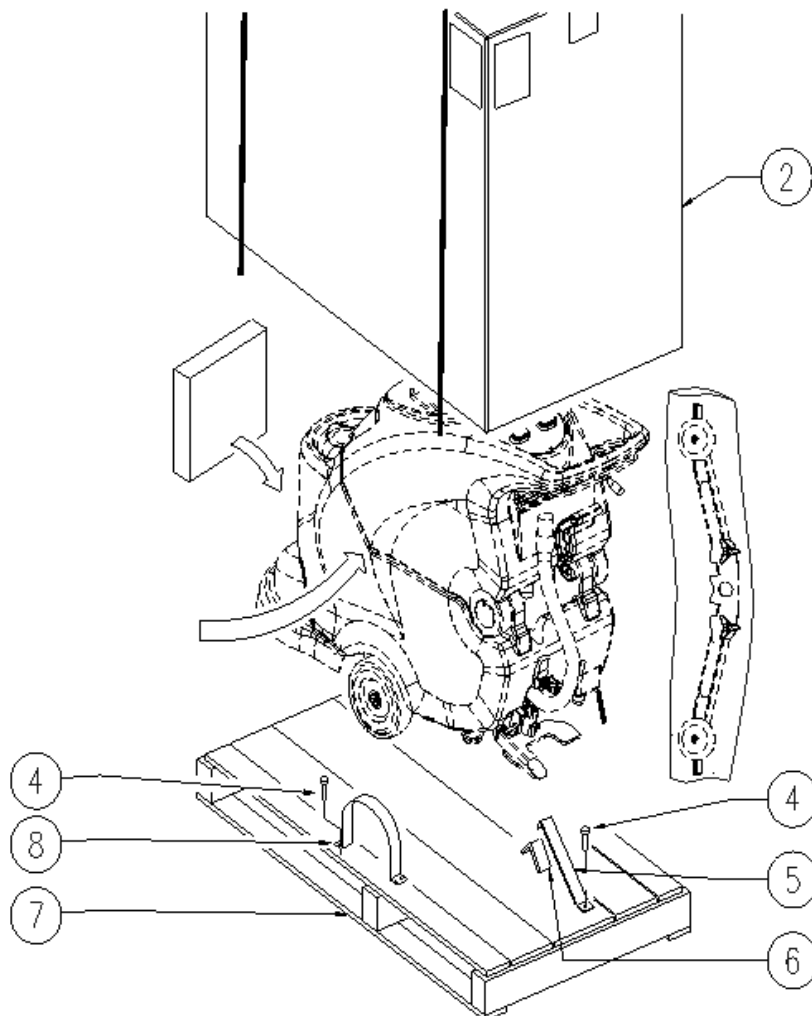
**IPC Gansow**

## Spare Parts List

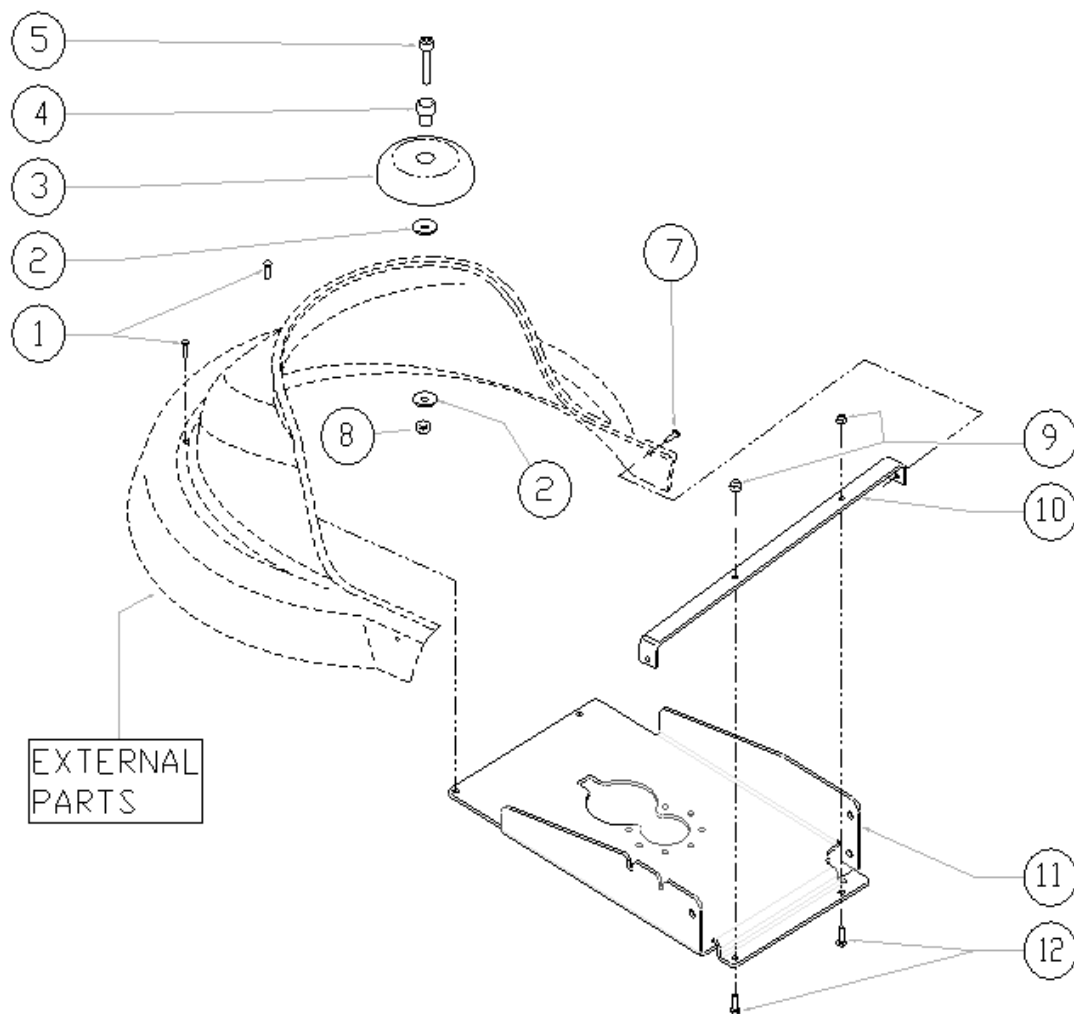
ICA

Ref: LPTB01570

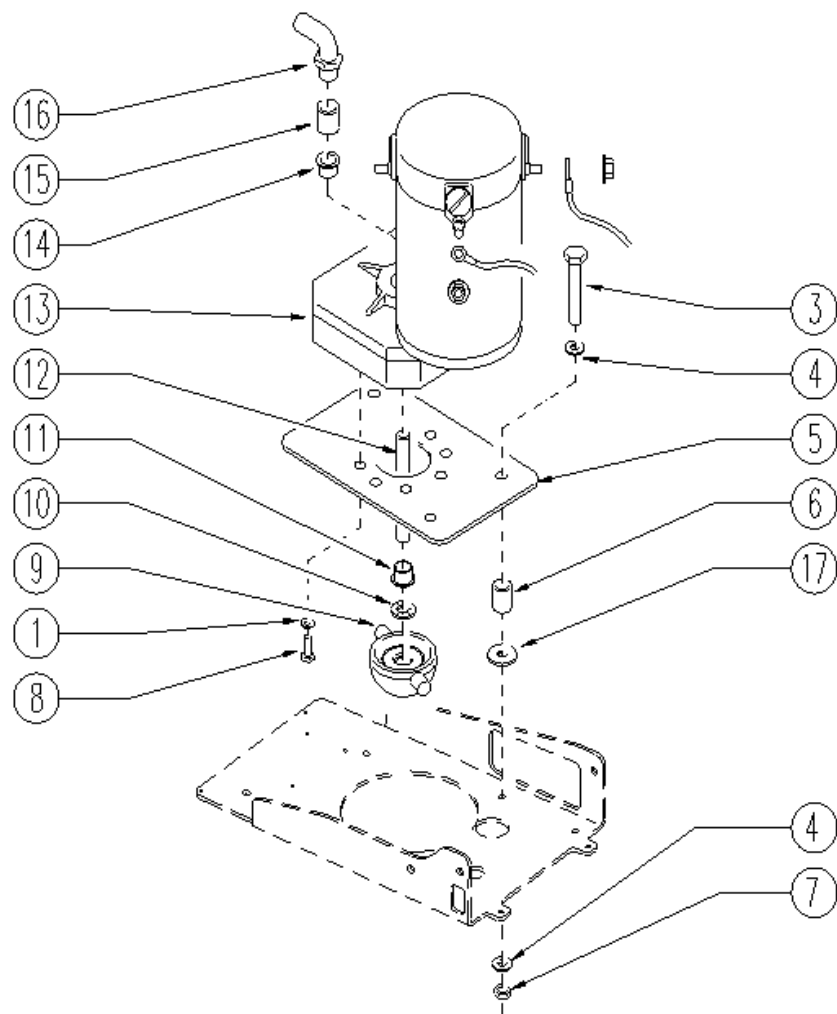
Model: CT55 BT55+CB+BAT GR/VE ICA



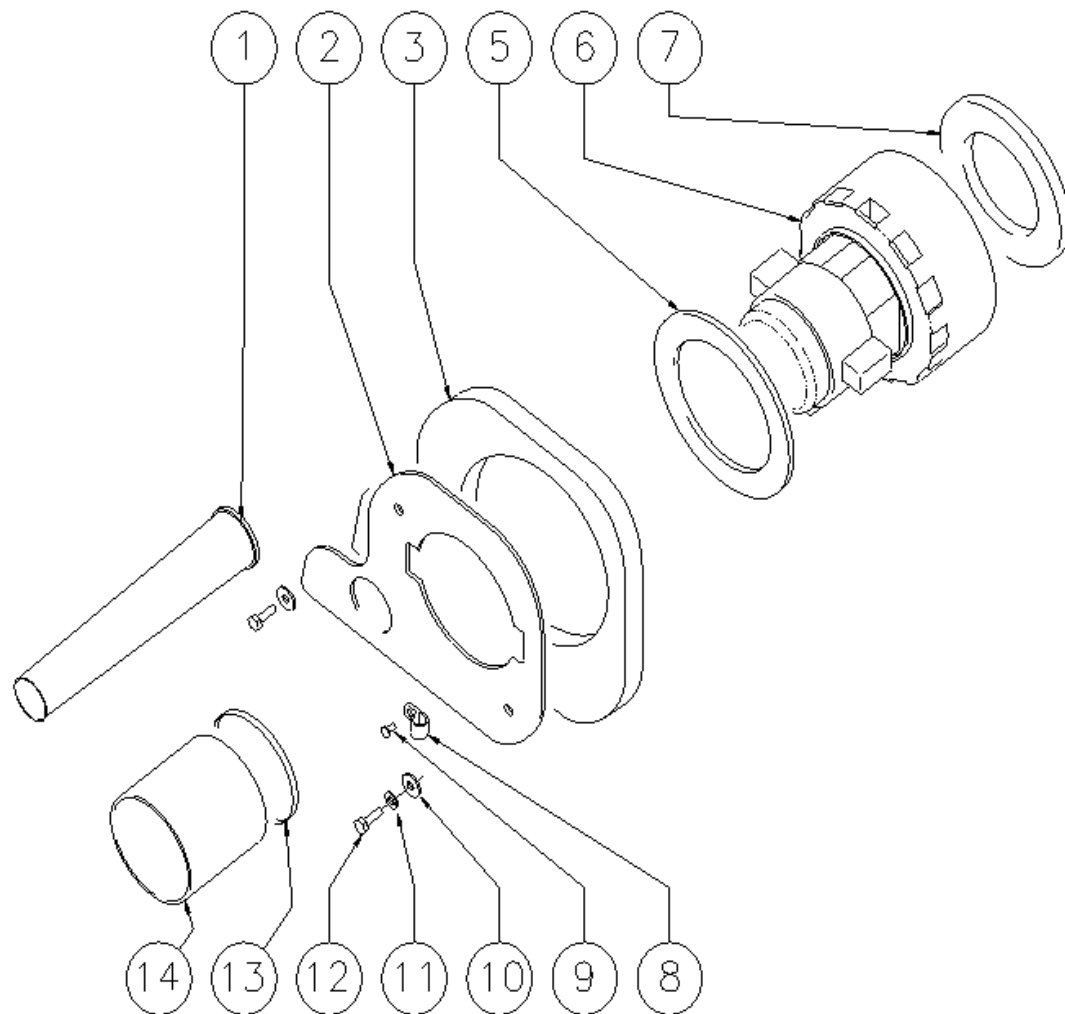
Ref. K	Part N.	Customer Part N.	Description	Qty	Validity:		Price
					From	To	
0002	MICT00147		BOITE CARTON IMBALLO RULLI	1,00			--
0004	VTVT00043		VIS AUTOF.LEGNO 4,5X25 TS BR	9,00			--
0005	MIVR00137		BLOCAGE RUOTA POSTERIORE X IMBAL.	1,00			--
0006	GUGO00009		MOUSSE	0,05			--
0007	MIBA00077		PALETTE RULLI	1,00			--
0008	MIVR00135		BLOCAGE RUOTA POSTERIORE X IMBAL.	2,00			--



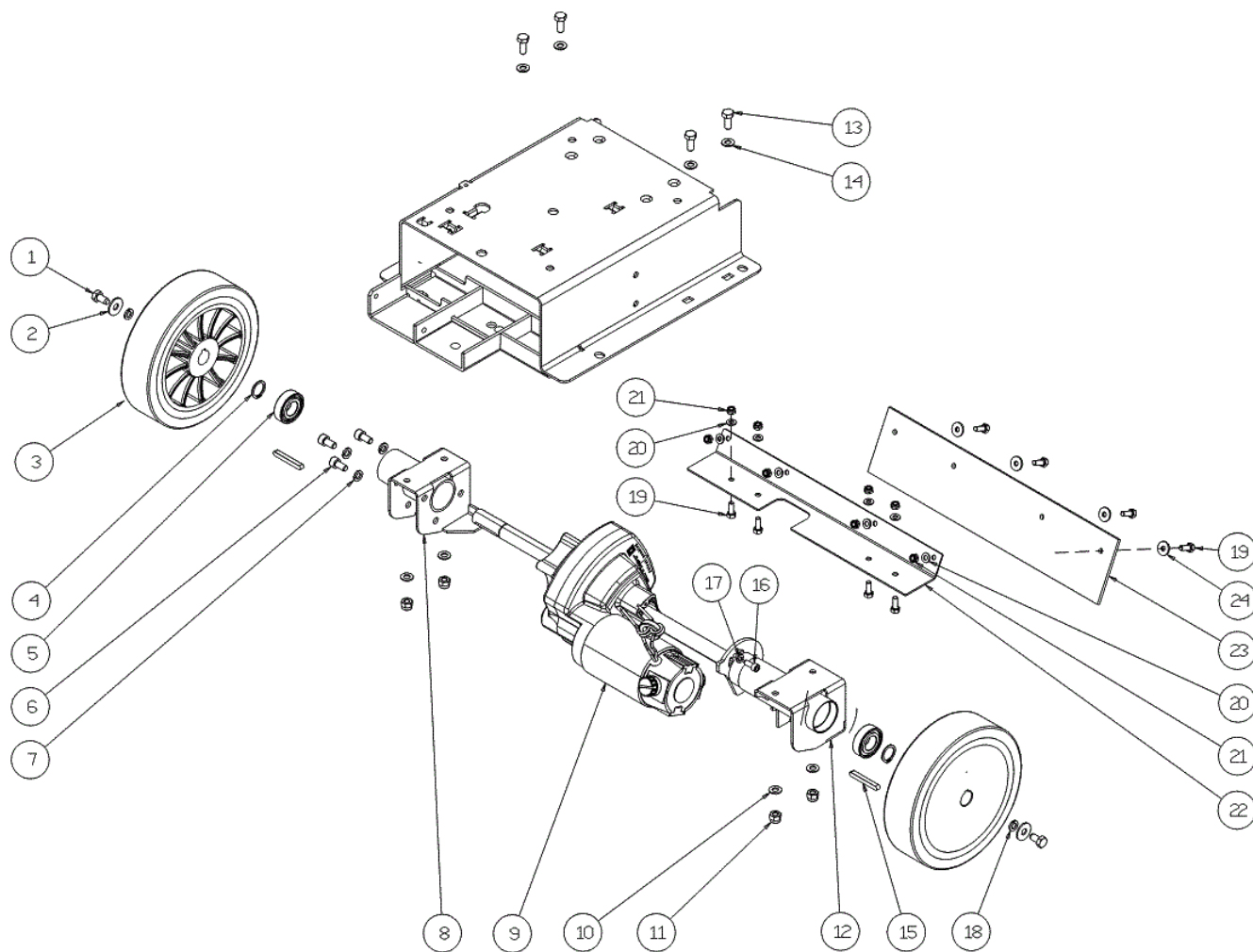
Ref.	K	Part N.	Customer Part N.	Description	Qty	Validity:		Price
						From	To	
0001		VTVT00659		VIS TC+ M. 4-15	2,00		02/2010	--
0001		VTVT01366		VIS M4X16	2,00	02/2010		--
0002		VTRS13946		RONDELLE D. 8 X24 INX UNI 6593	2,00			--
0003		MPVR05290		GALET TENDEUR PARACOLPI	1,00			--
0004		LAFN03915		DOUILLE NUOVO RUOTINO STRONG	1,00			--
0005		VTVT00822		VIS TCEI M 8-30	1,00	06/2009		--
0005		VTVT17349		VIS TCEI M 8X30	1,00		06/2009	--
0007		VTVT01366		VIS M4X16	2,00			--
0008		VTDD01695		ECROU M 8 INX	1,00			--
0009		VTDD15518		ECROU M 6 INX	2,00			--
0010		LAFN05899		ETRIER SUPPORT CARTER 1 EXTREME	1,00			--
0011		LAFN07373		PLAQUE RIDUTTORE	1,00			--
0012		VTVT15143		VIS TE 6X16 UNI5739	2,00			--



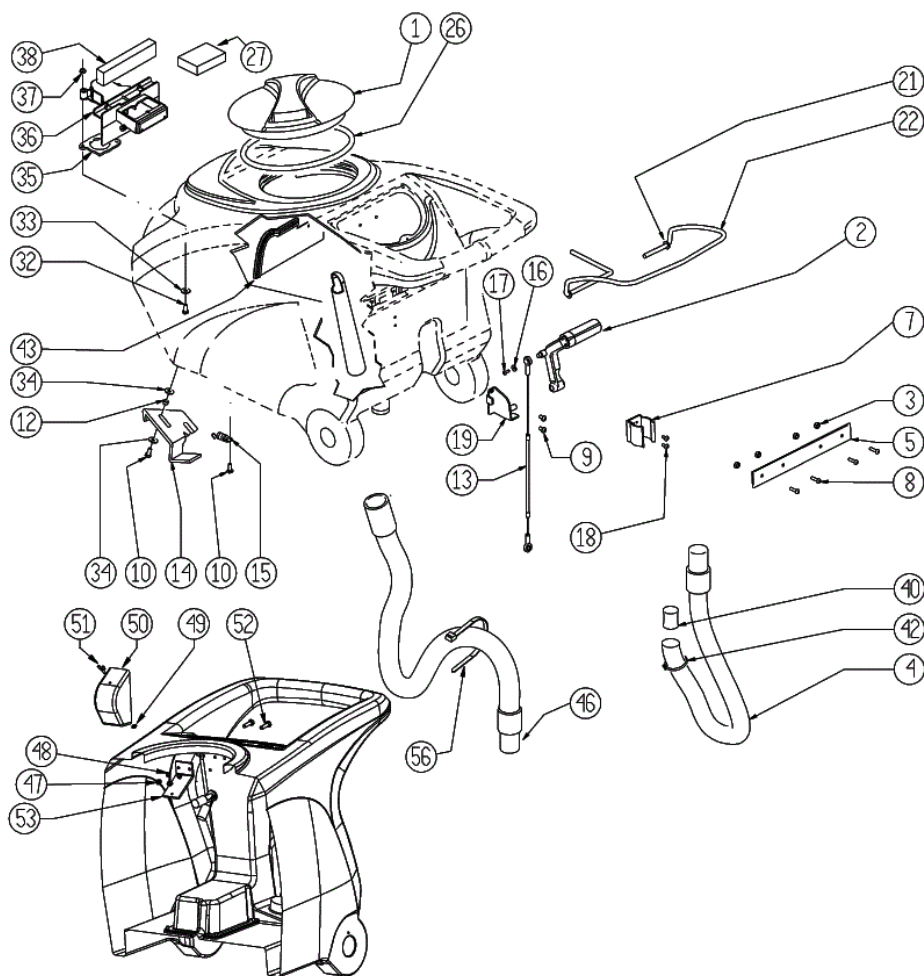
Ref.	K	Part N.	Customer Part N.	Description	Qty	Validity:		Price
						From	To	
0001		VTRS15144		RONDELLE D. 6 INX GRW UNI 1751	8,00			--
0003		VTVT13937		VIS TE M 8X 30 INX UNI 5739	4,00		03/2008	--
0004		VTRS13947		RONDELLE D. 8 INX UNI 6592	4,00		03/2008	--
0005		LAFN05920		BRIDE RIDUTTORE	1,00		03/2008	--
0006		RCDS34717		DOUILLE D. 9X12X 8.3	4,00		03/2008	--
0007		VTDD01695		ECROU M 8 INX	4,00		03/2008	--
0008		VTVT15906		VIS TE 6X 12 A2 UNI 5739	8,00			--
0009		MFVR00134		DISQUE D'ENTR. SPAZZOLE	1,00			--
0010		VTVR00416		PETIT VOLANT M 6MAX110 D.35	1,00	05/2009		--
0010		MPVR02997		AGRAFE ANELLO X PERNO D10	1,00		05/2009	--
0011		CUVR43254		DOUILLE CB 85 1010 18T	1,00		07/2013	--
0012		LAFN04202		TUYAU SOLUZIONE INOX D10	1,00		07/2013	--
0013		MOCC00327		MOTEUR GEARBOX 24V 550W	1,00	02/2008	07/2013	--
0013		MOCC00344		BROSSE -	4,00			--
0013		MOCC00405		MOTEUR	1,00	07/2013		--
0013		MOCC00298		MOTOREDUCTEUR MRP6	1,00		02/2008	--
0014		CUVR43254		DOUILLE CB 85 1010 18T	1,00		07/2013	--
0015		LAFN51028		DOUILLE	1,00		07/2013	--
0016		RCVR45752		RACC. P. TUYAU "L" 3/8M - D.10 PLS.	1,00		07/2013	--
0017		VTRS00241		RONDELLE D. 8-24	4,00		03/2008	--



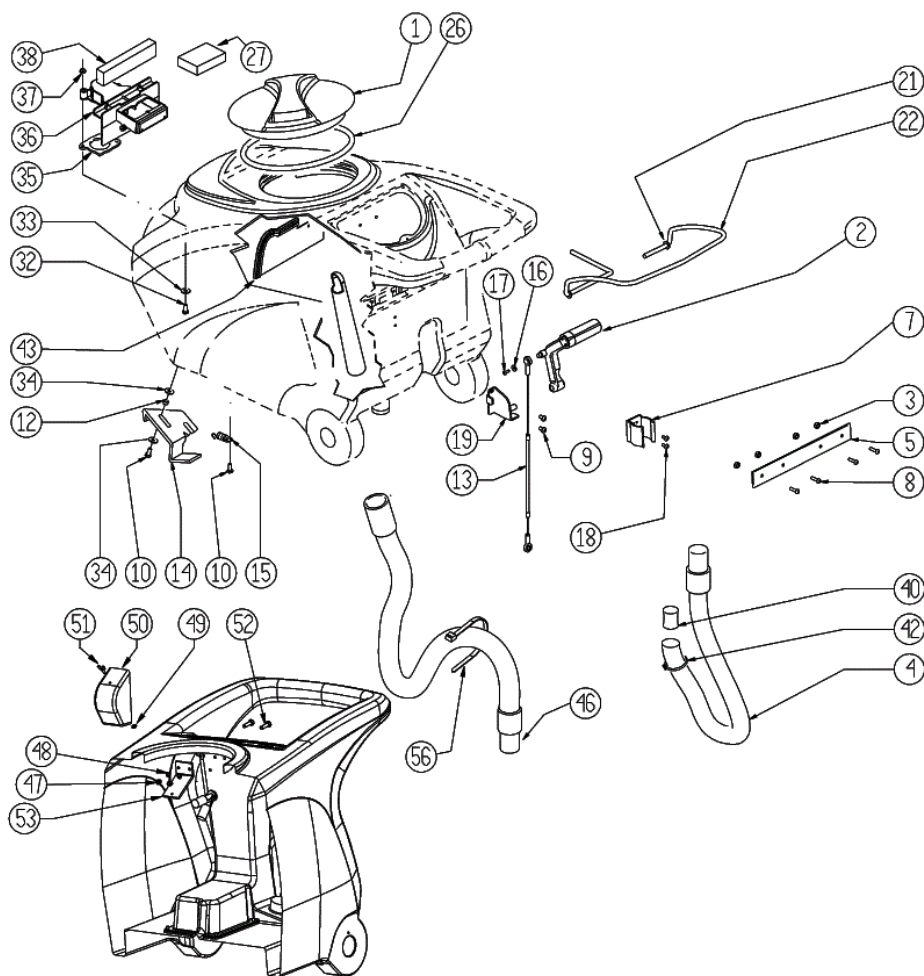
Ref.	K	Part N.	Customer Part N.	Description	Qty	Validity:		Price
						From	To	
0001		MPVR05259		TUYAU SCARICO	1,00	06/2007		--
0001		TBFX00244		TUYAU D 34 L200MM	1,00		06/2007	--
0002		LAFN06363		BRIDE ASPIRATEUR	1,00			--
0003		MPVR05103		INSONORISATION ASPIRATEUR	1,00			--
0005		MPVR04724		BRIDE IN NYLON	1,00			--
0006		MEVR05200		CHARBON MOTORE ASP.AMET.116599-13	2,00			--
0006		MOCC00253		MOTEUR ASPIR.BIST.24V	1,00		11/2008	--
0006		MOCC00349		MOTEUR VACUUM 2 STAGES 24V	1,00	11/2008		--
0007		GUGO00272		JOINT VACUUM MOTOR CT	1,00			--
0008		FSVR00099		COLLIER FERMATUBO	1,00			--
0009		VTVT00813		VIS M 4X 8 TCB-TC UNI 8112	1,00			--
0010		VTRS13945		RONDELLE D. 6X18 INX UNI 6593	2,00			--
0011		VTRS15144		RONDELLE D. 6 INX GRW UNI 1751	2,00			--
0012		VTVT15143		VIS TE 6X16 UNI5739	2,00			--
0013		FSVR00118		COLLIER D.94	1,00	05/2007		--
0013		FSVR00500		COLLIER 80-100 INOX	1,00		04/2007	--
0014		TBFX00312		TUYAU ASPIRAZIONE	1,00	05/2007		--
0014		TBFX00268		TUYAU ASPIRATE. D80 L=80MM	1,00		04/2007	--



Ref.	K	Part N.	Customer Part N.	Description	Qty	Validity:		Price
						From	To	
0001		VTVT15916		VIS TE M 8X 16 UNI 5739 A2	2,00			--
0002		VTRS13946		RONDELLE D. 8 X24 INX UNI 6593	2,00			--
0003		RTRT00546		ROUE D.200	2,00			--
0004		VTAE06193		BAGUE D'ARRET D. 20 UNI 7435	2,00			--
0005		CUVR00190		ROULEMENT 6004	2,00			--
0006		VTVT00876		VIS TCEI M.8-16	3,00			--
0007		VTRS15146		RONDELLE D. 8 INX GRW UNI 1751	3,00			--
0008		LAFN07811		SUPPORT -	1,00			--
0009		MOCC00022		CHARBON X MOT.COD.MOCC86902	2,00			--
0009		MOCC00396		MOTEUR	1,00			--
0010		VTRS13947		RONDELLE D. 8 INX UNI 6592	4,00			--
0011		VTDD01695		ECROU M 8 INX	4,00			--
0012		LAFN07813		SUPPORT -	1,00			--
0013		VTVT15916		VIS TE M 8X 16 UNI 5739 A2	4,00			--
0014		VTRS13947		RONDELLE D. 8 INX UNI 6592	4,00			--
0015		VTVR00566		CLAVETTE 6X10X40	2,00			--
0016		VTVT00717		VIS TCEI M. 6-16	2,00			--
0017		VTRS15144		RONDELLE D. 6 INX GRW UNI 1751	2,00			--
0018		VTRS15144		RONDELLE D. 6 INX GRW UNI 1751	2,00			--
0019		VTVT15143		VIS TE 6X16 UNI5739	8,00			--
0020		VTRS00245		RONDELLE D.6 UNI 6592 INOX	8,00			--
0021		VTDD01694		ECROU M6 INOX	8,00			--
0022		LAFN07951		BRIDE CT40-90	1,00			--
0023		MPVR06073		FLAP -	1,00			--
0024		VTRS13945		RONDELLE D. 6X18 INX UNI 6593	4,00			--

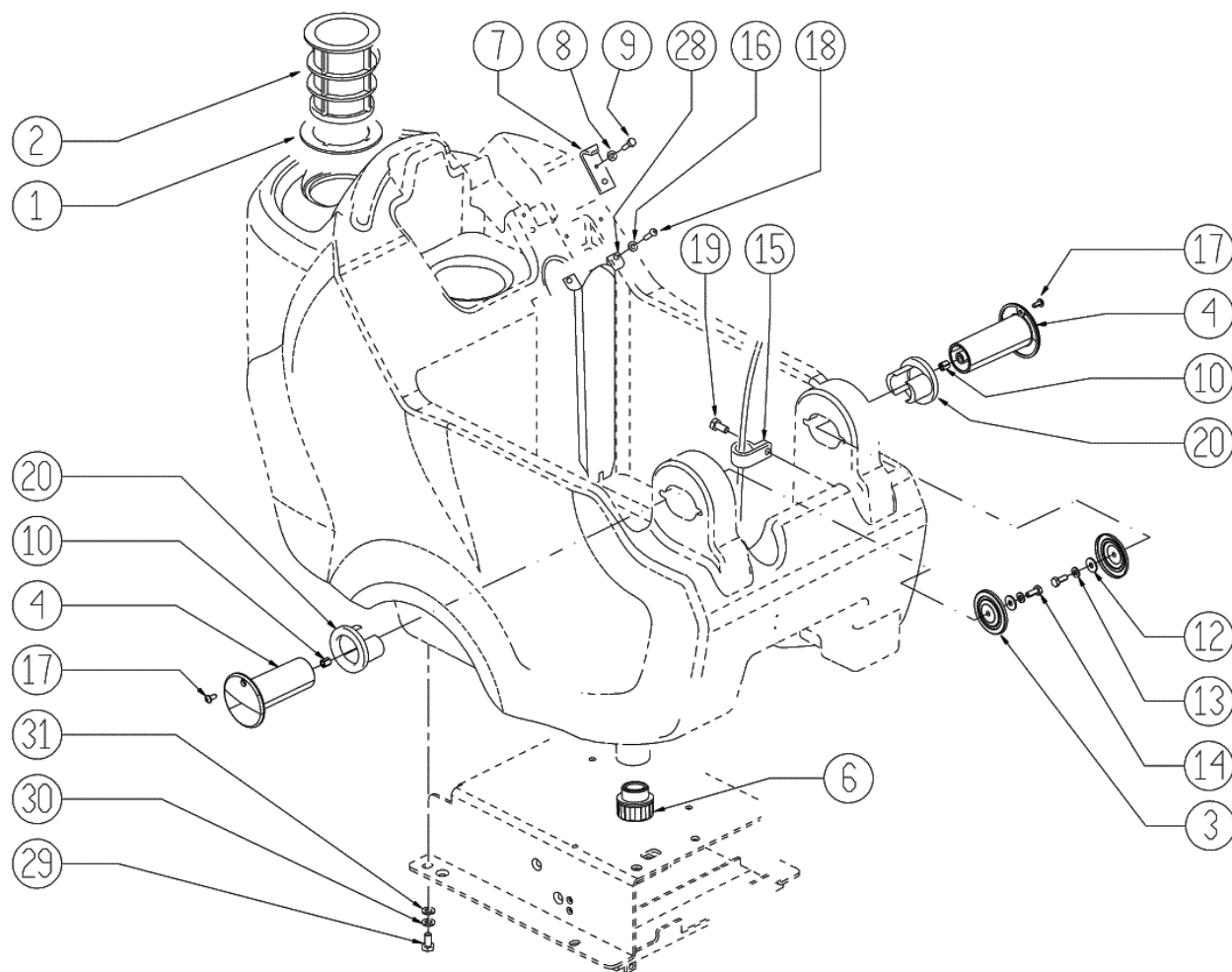


Ref. K	Part N.	Customer Part N.	Description	Qty	Validity:		Price
					From	To	
0001	MPVR04051		BOUCHON RESERV.	1,00			--
0002	MPVR49942		LEVIER SHK PP	1,00			--
0003	VTDD15518		ECROU M 6 INX	4,00			--
0004	TBFX00348		TUYAU CT40-70-90 HOSE DRAIN	1,00			--
0005	LAFN05865		PLAT COPRILEVA CONSENSO	1,00			--
0007	MPVR46988		AGRAFE LAV. SHK	1,00			--
0008	VTVT07726		VIS TE 5X20	4,00			--
0009	VTVT01300		VIS TE M5X12 INOX	2,00			--
0010	VTVT15143		VIS TE 6X16 UNI5739	3,00			--
0012	LAFN03626		ENTRETOISE	2,00			--
0013	CMCV00460		CABLE SOLLEVAMENTO TERGI	1,00			--
0014	LAFN06849		POIGNEE CT 70	1,00			--
0015	MLML34726		RESSORT TR E350 N	1,00			--
0016	VTRS05904		RONDELLE D. 4 X16 2.083	1,00			--
0017	VTVT00718		VIS TC+ M. 4,8-13	1,00			--
0018	VTVT37012		VIS M 4X 10 TCB-TC INX	2,00			--
0019	LAFN05870		BRIDE LEVA SOLLEVAM. SQUEEGEE	1,00			--
0021	VTRS13947		RONDELLE D. 8 INX UNI 6592	2,00			--
0022	LAFN05861		LEVIER CONSENSO SPAZZOLE	1,00		07/2014	--
0022	LAFN09339		LEVIER -	1,00	07/2014		--
0026	GUGO00263		JOINT CIRCOLARE TAPPO	1,00			--
0027	FTDP00133		FILTRE	1,00			--
0032	VTVT00814		VIS TE M.4-25	2,00			--
0033	VTRS00251		RONDELLE 4-16 INOX A2	2,00			--
0034	VTRS00274		RONDELLE NYLON 66 D.8,4-17-2 UNI	4,00			--
0035	GUGO00417		JOINT SCATOLA ASPIRAZIONE	1,00			--
0036	MPVR05482		BOITE -	1,00			--
0037	VTDD15925		ECROU M 4 INX	2,00			--
0038	GUGO00449		JOINT CT55	1,00			--
0040	GUGO00245		JOINT	1,00			--
0042	FSVR43136		COLLIER D. 35-40 DF.	1,00			--
0043	MPVR06063		PLAT CT55	1,00			--
0046	TBFX00353		TUYAU PU CT70-CT90	1,00			--
0047	VTDD01693		ECROU M 5 INX	2,00			--
0048	VTRS00516		RONDELLE D. 5 INX	2,00			--
0049	VTVR01038		RONDELLE -	1,00			--
0050	MPVR05596		PROTECTION -	1,00			--
0051	VTVT01150		VIS 4x10	1,00			--
0052	VTVT00641		VIS	2,00			--

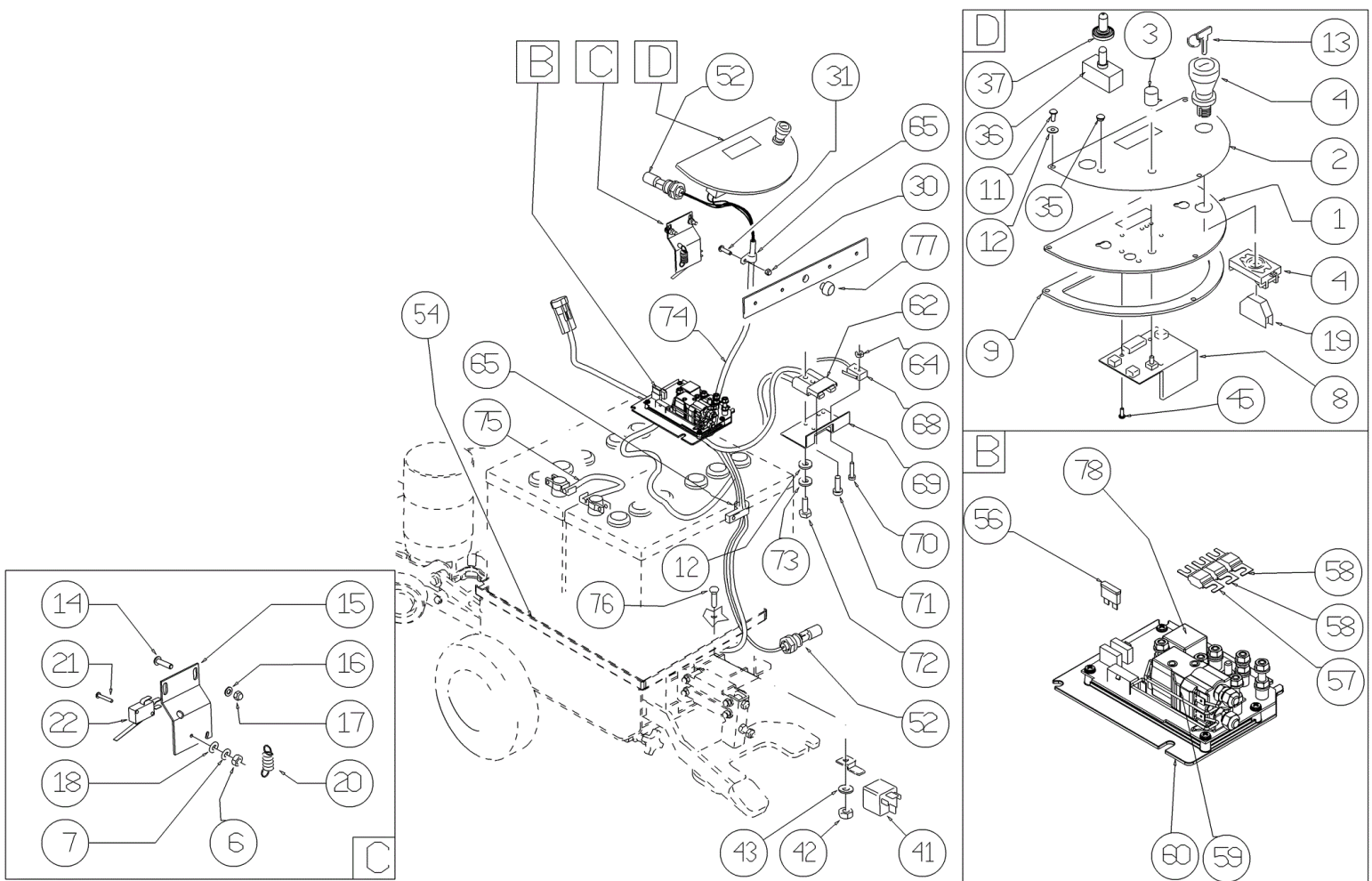


Ref.	K	Part N.	Customer Part N.	Description	Qty	Validity:		Price
						From	To	
0053		LAFN07631		BRIDE -	1,00			--
0056		FSVR00248		COLLIER -	1,00			--

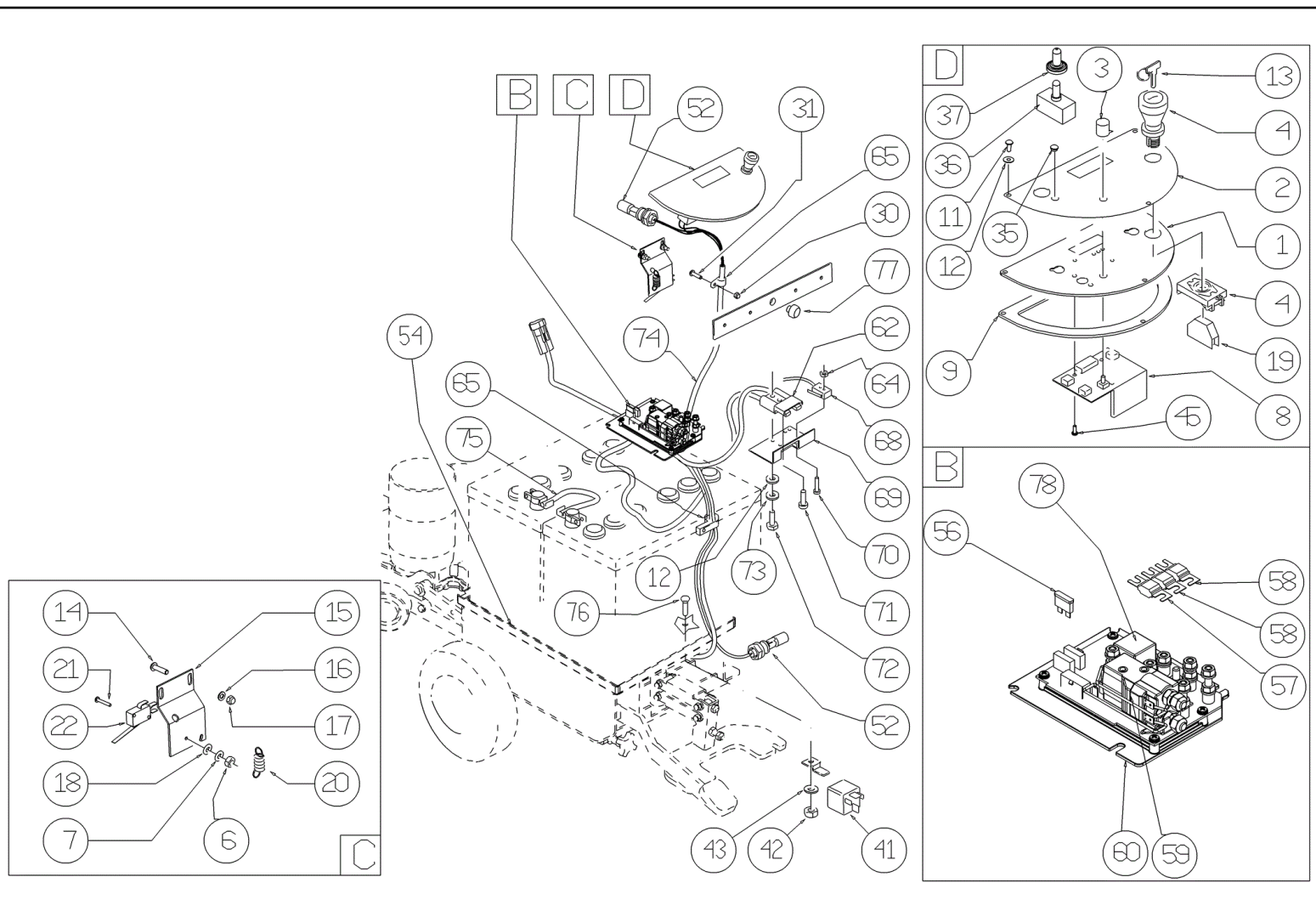




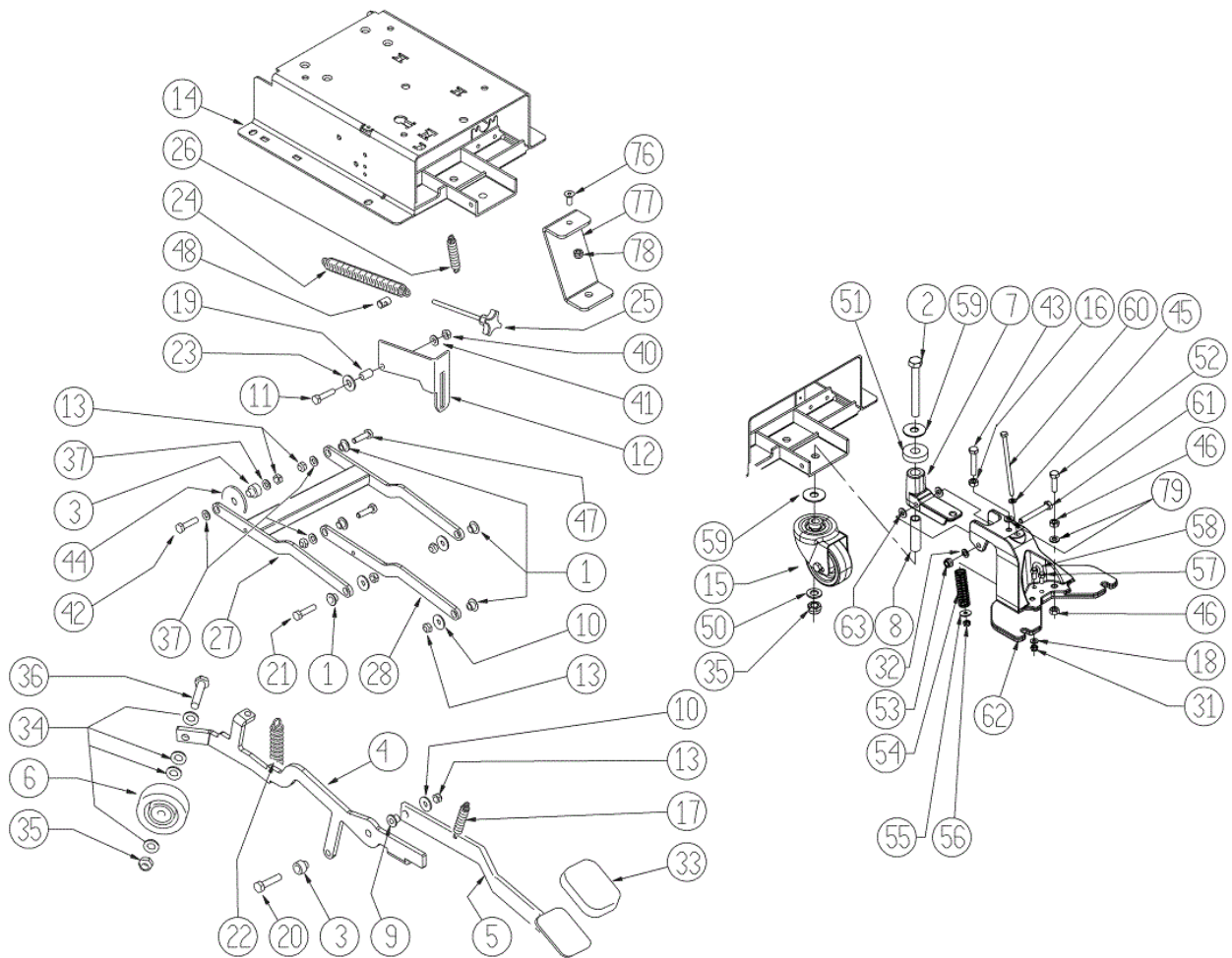
Ref.	K	Part N.	Customer Part N.	Description	Qty	Validity:		Price
						From	To	
0001		GUGO00450		JOINT CT55	1,00			--
0002		FTAC00040		FILTRE -	1,00		05/2013	--
0002		FTAC48857		FILTRE ASP. ACQUA SERB. LAVAP.	1,00	05/2013		--
0003		LAFN07800		TOLE -	2,00			--
0004		MPVR48695		PIVOT SHK.BK	2,00			--
0006		MPVR08003		BOUCHON	1,00			--
0007		LAFN06489		PLAQUE	1,00			--
0008		VTRS15144		RONDELLE D. 6 INX GRW UNI 1751	1,00			--
0009		VTVT01303		VIS TE M6-10 INOX	1,00			--
0010		VTVR48693		PLAQUETTE M6 D.9	2,00			--
0012		VTRS13945		RONDELLE D. 6X18 INX UNI 6593	2,00			--
0013		VTRS15144		RONDELLE D. 6 INX GRW UNI 1751	2,00			--
0014		VTVT15143		VIS TE 6X16 UNI5739	2,00			--
0015		FSVR00244		COLLIER -	1,00	04/2013		--
0015		MPVR02933		FIXE-TUYAU D.9,5	2,00		04/2013	--
0016		VTRS00515		RONDELLE D. 4 INX	2,00			--
0017		VTVT48694		VIS TCB TC 5 X12 UNI 9707 TZ	2,00			--
0018		VTVT37012		VIS M 4X 10 TCB-TC INX	2,00			--
0019		VTVT15961		VIS M 5X 16 TCB TC UNI 7687	1,00		04/2013	--
0019		VTVT01300		VIS TE M5X12 INOX	1,00	04/2013		--
0020		PMVR02028		CAOUTCHOUC GRUPPO MONTAGGIO	2,00			--
0028		MPVR51085		FLAP POSTER.TERGI 950 MAGG.	1,00			--
0029		VTVT15916		VIS TE M 8X 16 UNI 5739 A2	4,00			--
0030		VTRS00269		RONDELLE D. 8 DIN 6798-A INX A2	4,00			--
0031		VTRS13947		RONDELLE D. 8 INX UNI 6592	4,00			--



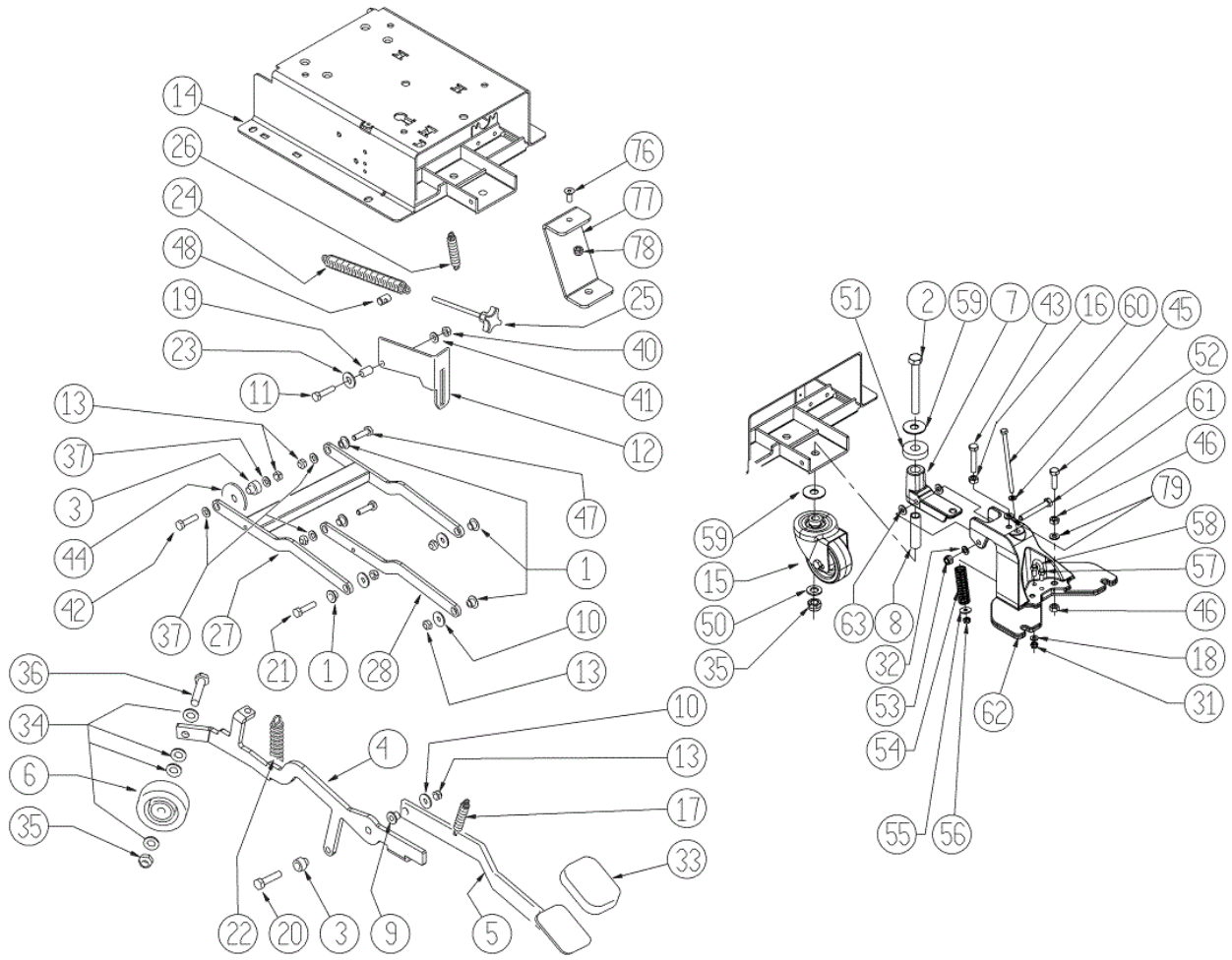
Ref.	K	Part N.	Customer Part N.	Description	Qty	Validity:		Price
						From	To	
0001		LAFN08989		SUPPORT -	1,00			--
0002		ETET01717		ETICHETTE -	1,00			--
0003		MEVR01666		POIGNEE POTENTIOMETER	1,00			--
0004		MECI00402		BOUTON A FUNGO	1,00			--
0006		VTDD21115		ECROU M 3 INOX	5,00			--
0007		VTRS00268		RONDELLE D.3	5,00			--
0008		MECB01329		FICHE BT CT70 H2O - NEW	1,00			--
0009		GUGO38417		JOINT PANN.COM.EXTREME	1,00			--
0011		VTVT37012		VIS M 4X 10 TCB-TC INX	3,00			--
0012		VTRS00515		RONDELLE D. 4 INX	10,00			--
0013		CHVR00051		SERRURE PULSANTE FUNGO	1,00			--
0014		VTVT07725		VIS TE 5X16 UNI5739 INX	2,00			--
0015		LAFN05904		PLAQUETTE MICRO LEVA	1,00			--
0016		VTRS00516		RONDELLE D. 5 INX	2,00			--
0017		VTDD01693		ECROU M 5 INX	6,00			--
0018		VTRS21116		RONDELLE D. 3 INX	2,00			--
0019		MECI00403		CONTACT -	1,00			--
0020		MLML00203		RESSORT	1,00			--
0021		VTVT01316		VIS TC+ M3-16	2,00			--
0022		MECI36393		MICROINTERRUPT.TRZ. DRW	1,00			--
0030		VTDD15925		ECROU M 4 INX	1,00			--
0031		VTVT00704		VIS TE M 4X 16 UNI5739 INOX	5,00			--
0035		RCVR00164		SAC DE TRANSP.	1,00			--
0036		MECI30499		INTERRUPTEUR 10A - 250VAC	1,00			--
0037		MEVR01975		CAOUTCHOUC DEVIATORE	1,00			--
0041		MECI00005		RELAIS 24V 10/20A	1,00			--
0042		VTDD01694		ECROU M6 INOX	1,00			--
0043		VTRS00245		RONDELLE D.6 UNI 6592 INOX	1,00			--
0045		VTVT00722		VIS	3,00			--
0052		MECI00516		CAPTEUR DI LIVELLO ORIZZONTALE	2,00			--
0054		LAFN35588		SUPPORTBATTERIELAV. BT	1,00			--
0056		MEVR01428		FUSIBLE A LAMA 2 A. UNIVAL	1,00			--
0057		MEVR02061		FUSIBLE 80A	1,00			--
0058		MEVR02060		FUSIBLE 40A	2,00			--
0059		METT00085		TELERUPTEUR 100A	1,00			--
0060		MECE00574		FICHE CT40-70-90	1,00			--
0062		MEVR01079		GOUPILLE M CB50 A 600V RD.	1,00			--
0064		VTDD08634		ECROU M2	2,00			--
0065		FSVR00099		COLLIER FERMATUBO	2,00			--



Ref.	K	Part N.	Customer Part N.	Description	Qty	Validity:		Price
						From	To	
0068		MECI00334		MICROINTERRUPT.V4	1,00			--
0069		LAFN06409		SUPPORT -	1,00			--
0070		VTVT00671		VIS TC- M.2-16 OTTONE	2,00			--
0071		VTVT00872		VIS TSP+ 2.9X13 AUTOFIL. INOX	1,00			--
0072		VTVT00814		VIS TE M.4-25	2,00			--
0073		VTRS15913		RONDELLE D. 4 GROVER A2 UNI1751	2,00			--
0074		MECB01334		CABLAGE CT40-55-70 BT	1,00			--
0075		MEVR34820		CABLAGE B 450 BT	1,00			--
0076		VTVT01676		VIS TSTC UNI 7688 M6X16	1,00			--
0077		MPVR00043		BOUCHON CHIUS.FORO PORTAFUS.L 15	1,00			--

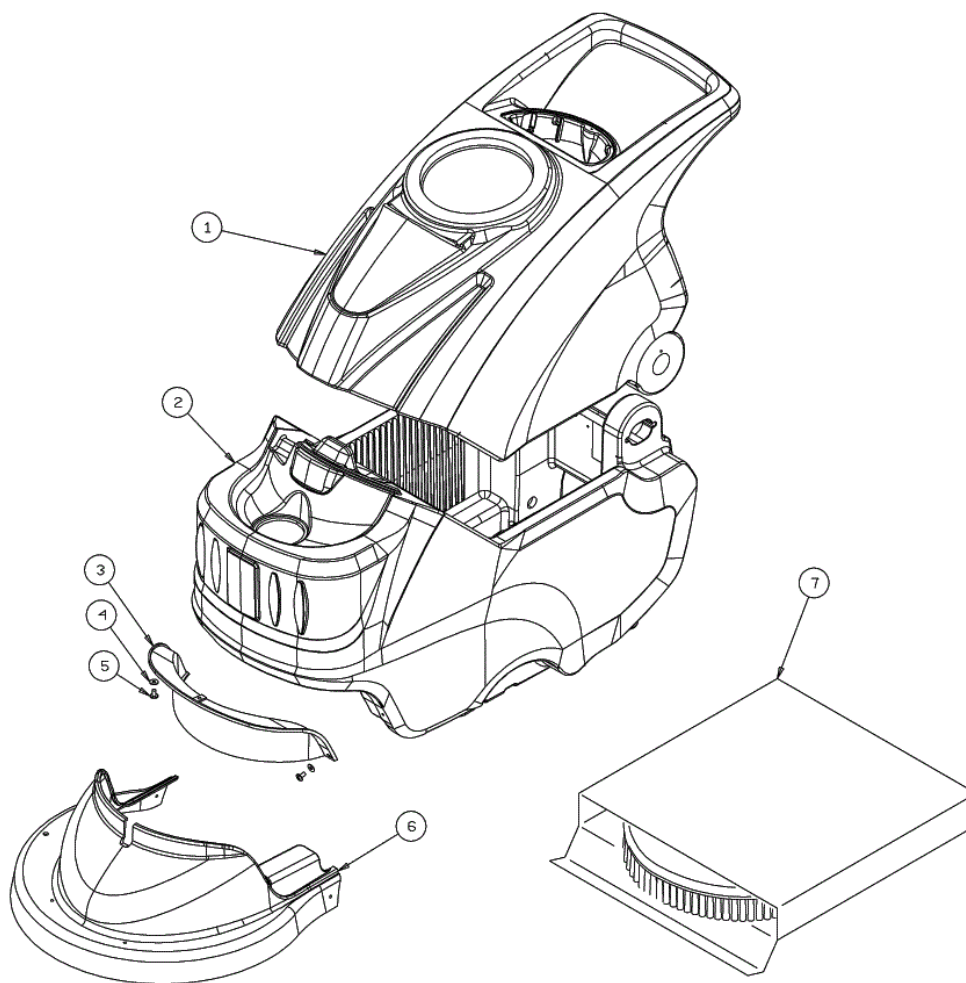


Ref.	K	Part N.	Customer Part N.	Description	Qty	Validity:		Price
						From	To	
0001		LAFN06391		DOUILLE PARALLELOGRAMMA	5,00			--
0002		VTVT00285		VIS TE M12X110	1,00			--
0003		LAFN04190		DOUILLE PARALLELOGR.TEST.GR.	2,00			--
0004		LAFN07872		LEVIER -	1,00			--
0005		LAFN09270		PEDALE -	1,00	04/2013		--
0005		LAFN07602		LEVIER -	1,00		04/2013	--
0006		RTRT49171		ROULETTE D. 80-12	1,00			--
0007		MFVR00226		SUPPORT SQUEEGEE	1,00			--
0008		LAFN09006		PIVOT -	1,00			--
0009		LAFN51068		DOUILLE LEVA POSTER.	1,00			--
0010		VTRS13946		RONDELLE D. 8 X24 INX UNI 6593	4,00			--
0011		VTVT00161		VIS TE M6X20	1,00			--
0012		LAFN10124		PLAQUE	1,00			--
0013		VTDD01695		ECROU M 8 INX	7,00			--
0014		LAFN07293		SOUBASSEMENT SERBATOIO	1,00			--
0015		RTRT00395		ROUE CASTOR D.80X25 PU	1,00			--
0016		VTDD15521		ECROU M 8 INX A2 UNI 5588	1,00			--
0017		MLML34726		RESSORT TR E350 N	1,00			--
0018		VTRS00245		RONDELLE D.6 UNI 6592 INOX	2,00			--
0019		LAFN03840		DOUILLE	1,00			--
0020		VTVT15917		VIS TE M 8X50 INOX A2 UNI	1,00			--
0021		VTVT15907		VIS TE 8X25 UNI5739 INX	3,00			--
0022		MLML00313		RESSORT -	1,00			--
0023		VTRS00274		RONDELLE NYLON 66 D.8,4-17-2 UNI	1,00			--
0024		MLML31130		RESSORT D. 17.5 X110 N38	1,00			--
0025		VTVR35749		PETIT VOLANT M 6MAX110 D.35	1,00			--
0026		MLML00303		RESSORT REGISTRAZIONE FLAP	1,00			--
0027		LAFN06388		BRAS TESTATA SUPERIORE	1,00			--
0028		LAFN06389		BRAS PARALLELOGRAMMA	1,00			--
0031		VTDD01694		ECROU M6 INOX	2,00			--
0032		VTRS13947		RONDELLE D. 8 INX UNI 6592	1,00			--
0033		MPVR05186		COUVERTURE -	1,00			--
0034		VTRS15978		RONDELLE D.12X24 UNI 6592 INX	4,00			--
0035		VTDD00176		ECROU M.12 INOX A2 BASSO AUTOB.	2,00			--
0036		VTVT00836		VIS TE M12-60 INOX	1,00			--
0037		VTRS13947		RONDELLE D. 8 INX UNI 6592	4,00			--
0040		VTDD01694		ECROU M6 INOX	1,00			--
0041		VTRS00245		RONDELLE D.6 UNI 6592 INOX	1,00			--
0042		VTVT00410		VIS TE M8x35 UNI5739 INOX	1,00			--

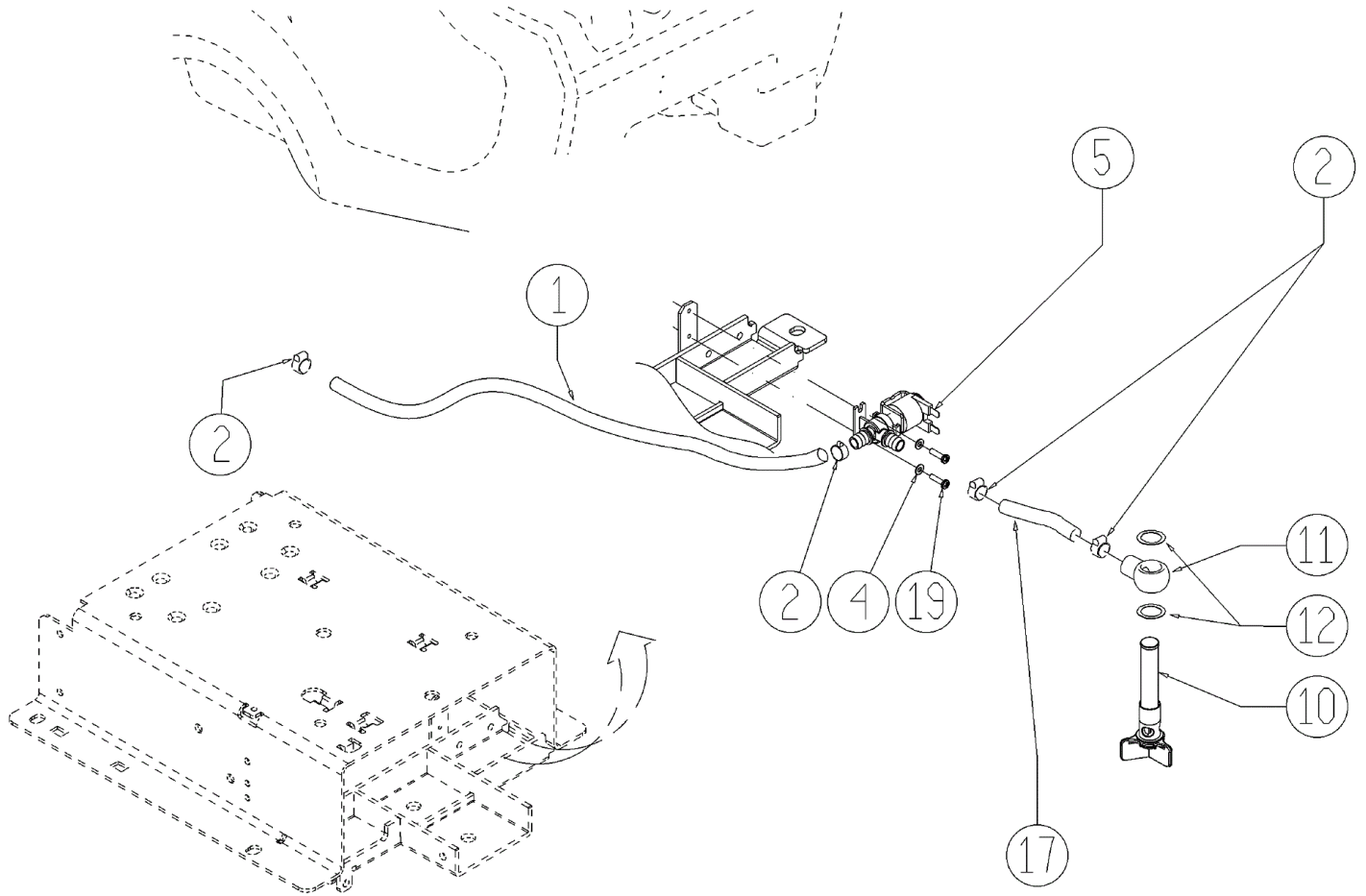


Ref.	K	Part N.	Customer Part N.	Description	Qty	Validity:		Price
						From	To	
0043		VTVT15371		VIS TE M 8X45 INOX A2 UNI	1,00			--
0044		MPVR05134		JOINT D.60 FORO D.12 SP.2	1,00			--
0045		VTRS00245		RONDELLE D.6 UNI 6592 INOX	1,00			--
0046		VTDD15521		ECROU M 8 INX A2 UNI 5588	2,00			--
0047		VTVT13937		VIS TE M 8X 30 INX UNI 5739	2,00			--
0048		LAFN35747		SUPPORT RESSORTLAV. E/B 450	1,00			--
0050		VTRS15978		RONDELLE D.12X24 UNI 6592 INX	1,00			--
0051		MPVR06069		RONDELLE 15X40	1,00			--
0052		VTVT13937		VIS TE M 8X 30 INX UNI 5739	1,00			--
0053		VTDD01695		ECROU M 8 INX	1,00			--
0054		MLML00338		RESSORT -	1,00			--
0055		VTRS13945		RONDELLE D. 6X18 INX UNI 6593	1,00			--
0056		VTDD01694		ECROU M6 INOX	1,00			--
0057		VTDD00053		ECROU M6 INOX UNI5589	2,00			--
0058		LAFN09231		BRIDE M6X11X29	1,00			--
0059		VTRS09142		RONDELLE D.12 X 36	2,00			--
0060		VTVT01008		VIS 6X110	1,00			--
0061		VTVT01009		VIS 8X60	1,00			--
0062		MFVR00227		SUPPORT SQUEEGEE	1,00			--
0063		VTRS00274		RONDELLE NYLON 66 D.8,4-17-2 UNI	2,00			--
0076		VTVT00224		VIS	1,00			--
0077		LAFN06860		BRIDE CT70	1,00			--
0078		VTDD01695		ECROU M 8 INX	1,00			--
0079		VTRS15146		RONDELLE D. 8 INX GRW UNI 1751	2,00			--

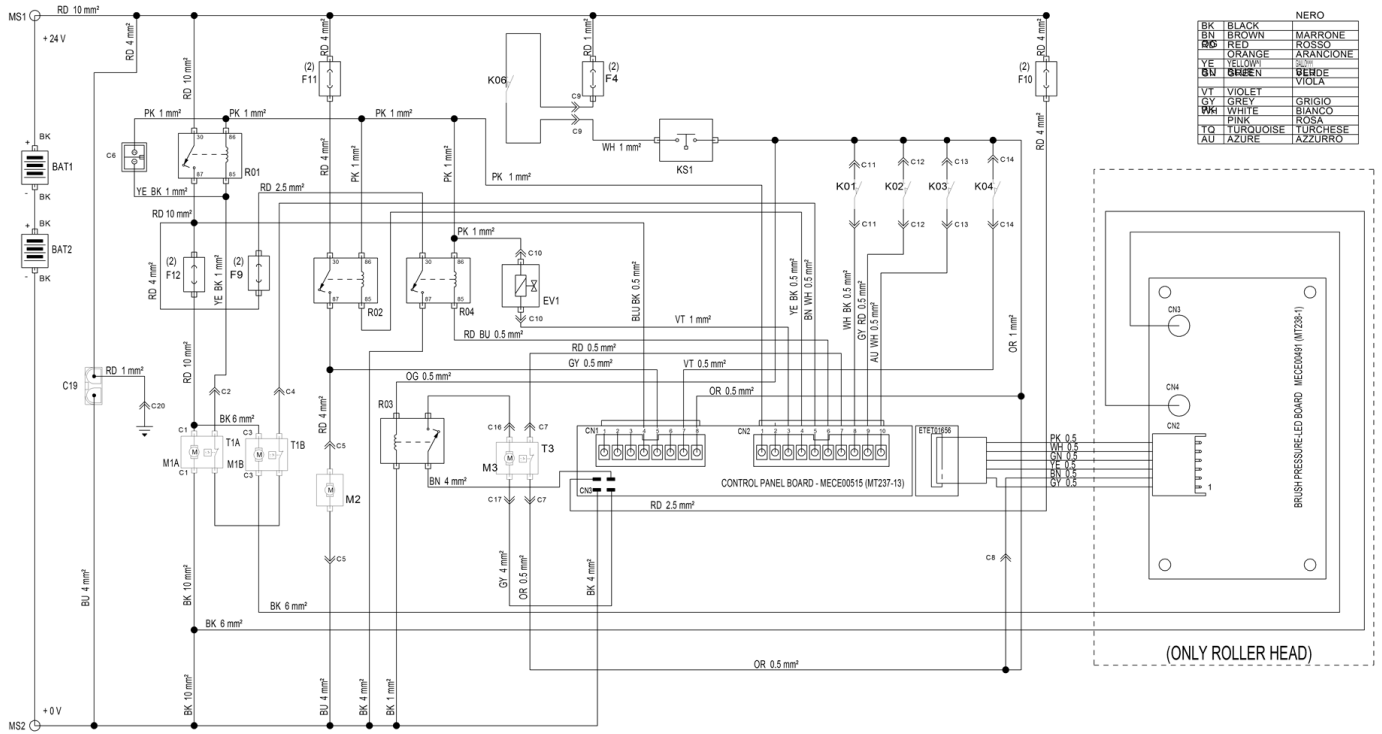




Ref. K	Part N.	Customer Part N.	Description	Qty	Validity:		Price
					From	To	
0001	MPVR04997		RESERVOIR RECOVERY CT50	1,00			--
0002	MPVR04996		RESERVOIR SOLUTION CT50	1,00			--
0003	MPVR04998		COUVERTURE CT55	1,00			--
0004	VTRS13750		RONDELLE D. 5X14 INX	4,00			--
0005	VTVT15961		VIS M 5X 16 TCB TC UNI 7687	4,00			--
0006	MPVR04722		PROTECT. BROSSE55	1,00			--
0007	SPPV43964		BROSSE NYL 0.8 530	1,00			--



Ref.	K	Part N.	Customer Part N.	Description	Qty	Validity:		Price
						From	To	
0001		TBFX48011		TUYAU FLEX D.12X3 ARMORV.PVC TR	0,71			--
0002		FSVR00428		COLLIER D. 12-20	4,00			--
0004		VTRS00515		RONDELLE D. 4 INX	2,00			--
0005		MEEV00036		SOUPAPE ELECTR.HOLE 8mm CLEANTIME	1,00			--
0010		MPVR05221		FILTRE COMPLETO	1,00		02/2013	--
0010		MPVR06303		FILTRE CT40-70-90	1,00	02/2013		--
0011		LAFN07783		RACCORD -	1,00			--
0012		VTRS00567		RONDELLE 1/2	2,00			--
0017		TBFX48011		TUYAU FLEX D.12X3 ARMORV.PVC TR	0,17			--
0019		VTVT01158		VIS M4x16	2,00			--



BK	BLACK	NERO
BN	BROWN	MARRONE
RD	RED	ROSSO
OR	ORANGE	ARANCIONE
YE	YELLOW	GIALLO
BN	GREEN	VERDE
VT	VIOLET	VIOLA
GY	GREY	GRIGIO
WH	WHITE	BIANCO
PK	PINK	ROSA
TO	TURQUOISE	TURCHESE
AU	AZURE	AZZURRO

CONNECTORS: VIEW FROM WIRE SIDE PLDC01888\_2

Ref.	K	Part N.	Customer Part N.	Description	Qty	Validity:		Price
						From	To	
EV1		MEEV00036		SOUPAPE ELECTR.HOLE 8mm CLEAN TIME	1,00			--
F04		MEVR01428		FUSIBLE A LAMA 2 A. UNIVAL	1,00			--
F09		MEVR02060		FUSIBLE 40A	1,00			--
F10		MEVR02061		FUSIBLE 80A	1,00			--
F11		MEVR02060		FUSIBLE 40A	1,00			--
F12		MEVR02061		FUSIBLE 80A	1,00			--

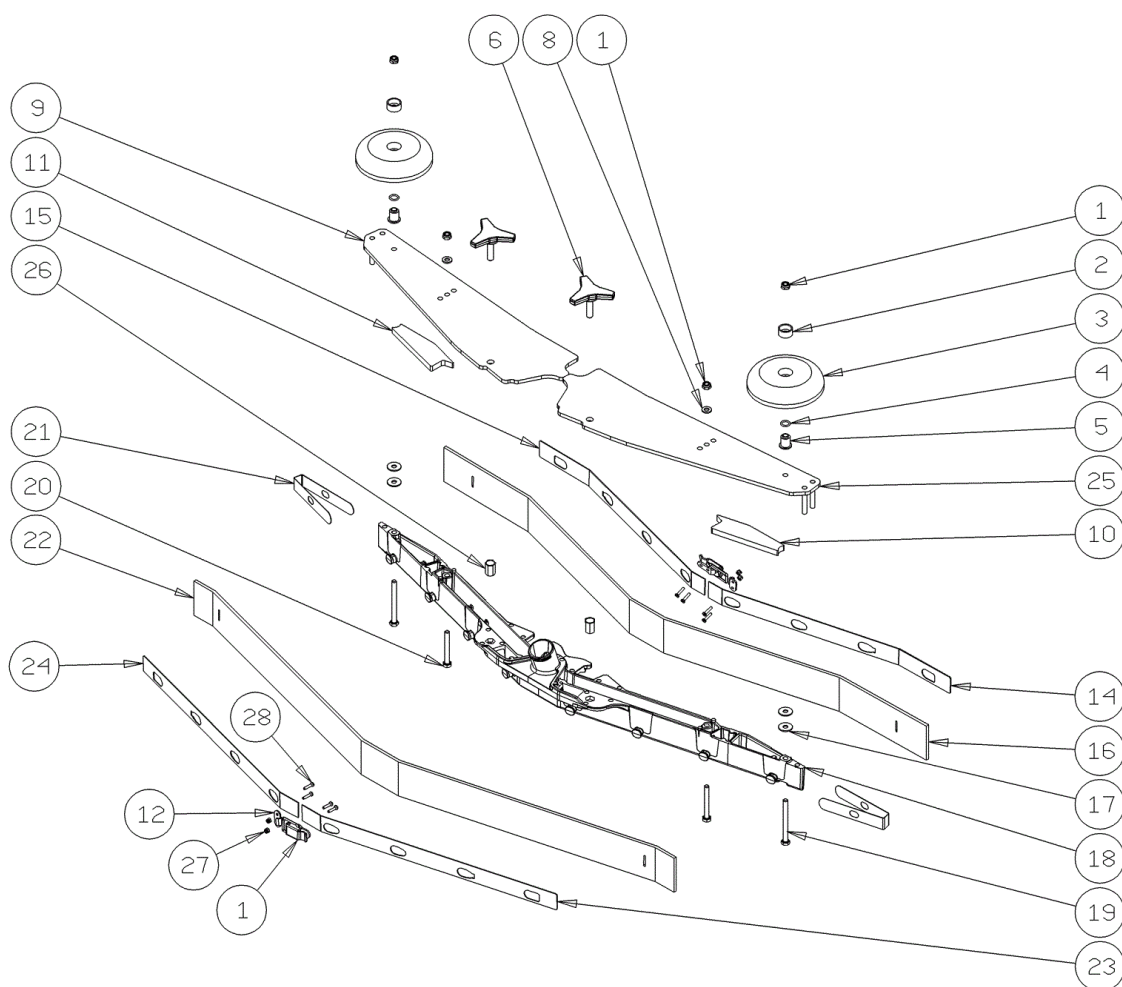


COMPONENTS			
(2)	F12	FUSE- BRUSH MOTORS (50 A)	FUSIBILE SPAZZOLE POTENZA (50 A)
(2)	F11	FUSE-VACUUM MOTOR (40 A)	FUSIBILE ASPIRATORE POTENZA (40 A)
(2)	F10	FUSE-TRACTION MOTORS (30 A)	FUSIBILE MOTORE TRAZIONE (30 A)
(2)	F9	FUSE-BRUSHES RELEASE (40 A)	FUSIBILE SGANCIO SPAZZOLE (40 A)
(2)	F4	FUSE-CONTROL PANEL (2 A)	FUSIBILE PLANCIA (2 A)
	R01	RELAY- BRUSH MOTORS	TELERUTTORE SPAZZOLE
	R02	RELAY- VACUUM MOTOR	RELE' ASPITATORE
	R03	RELAY- TRACTION MOTOR	RELE' MOTORE TRAZIONE
	R04	RELAY- BRUSH RELEASE	RELE' SCANCIO SPAZZOLE
	EV1	ELECTRO-VALVE	ELETTRIVALVOLA ACQUA
	KS1	GENERAL KEY	CHIAVE AVVIAMENTO
	K01	SWITCH- HAND LEVER	INTERRUTTORE LEVA TRAZIONE
	K02	SWITCH- RECOVERY TANK LEVEL (MAX)	LIVELLO TROPPO PIENO (N.O.)
	K03	SWITCH- SOLUTION TANK LEVEL ( MIN )	LIVELLO MINIMO SERBATOIO (N.O.)
	K04	SWITCH- FORWARD / REWARD	INTERRUTTORE MARCIA AVANTI INDIETRO
	K06	SWITCH- BATTERY RECHARGE SAFETY	MICRO SICUREZZA RICARICA BATTERIE
	M1A	MOTOR- BRUSH 1	MOTORE SPAZZOLA -1
	M1B	MOTOR- BRUSH 2	MOTORE SPAZZOLA -2
	M2	MOTOR- VACUUM	MOTORE ASPIRATORE
	M3	MOTOR- TRACTION	MOTORE TRAZIONE
	T1A	THERMIC SWITCH BRUSH MOTOR 1	TERMICA MOTORE SPAZZOLA -1
	T1B	THERMIC SWITCH BRUSH MOTOR 2	TERMICA MOTORE SPAZZOLA -2
	T3	THERMIC SWITCH TRACTION MOTOR	TERMICA MOTORE TRAZIONE

COMPONENTS			
	MS1	CONNECTOR- BATTERY POSITIVE	MORSETTO BATTERIA POSITIVO
	MS2	CONNECTOR- BATTERY NEGATIVE	MORSETTO BATTERIA NEGATIVO
	C1	CONNECTOR- BRUSH MOTOR 1	CONN. MOTORE SPAZZOLA -1
	C2	CONNECTOR- THERMIC SW. BRUSH MOTOR 1	CONN. TERMICA MOTORE SPAZZOLA -1
	C3	CONNECTOR- BRUSH MOTOR 2	CONN. MOTORE SPAZZOLA -2
	C4	CONNECTOR- THERMIC SW. BRUSH MOTOR 2	CONN. TERMICA MOTORE SPAZZOLA -2
	C5	CONNECTOR- VACUUM MOTOR	CONN. MOTORE ASPIRAZIONE
	C6	CONNECTOR- "CHEM DOSE" ACCESSORY	CONN. CHEM-DOS
	C7	CONNECTOR THERMIC SWITCH-TRACTION MOTOR	CONN. TERMICA MOTORE TRAZIONE
	C8	CONNECTOR- PRESSURE BOARD	CONN. POSITIVO SCHEDA PRESSIONE
	C9	CONNECTOR- BATTERY RECHARGE SAFETY	CONN.SICUREZZA RICARICA BATTERIE
	C10	CONNECTOR- BOARD/ ELECTROVALVE	CONN. E.V. H2O DA SCHEDA ELETTRONICA
	C11	CONNECTOR- HAND LEVER	CONN. LEVA TRAZIONE
	C12	CONNECTOR- RECOVERY TANK LEVEL (MAX)	CONN. LIVELLO TROPPO PIENO
	C13	CONNECTOR- SOLUTION TANK LEVEL ( MIN )	CONN. LIVELLO MINIMO
	C14	CONNECTOR- FORWARD / REWARD	CONN. SELETORE MARCIA
	C15	CONNECTOR- EXTERNAL BATT.CHARGER	CONN. MICRO C.B. ESTERNO
	C16	CONNECTOR- TRACTION MOTOR	CONN. MOTORE TRAZIONE
	C17	CONNECTOR- TRACTION MOTOR	CONN. MOTORE TRAZIONE
	C19	CONNECTOR- BATTERY RECHARGE	SPINA ANDERSON RICARICA BATTERIE
	C20	RING TERMINAL Ø8	CAPICORDA CON OCCHIELLO Ø8
	CN1	CONNECTOR- CONTROL PANEL BOARD	CONN. 1 SCHEDA PLANCIA
	CN2	CONNECTOR- CONTROL PANEL BOARD	CONN. 2 SCHEDA PLANCIA
	CN3	CONNECTOR- CONTROL PANEL BOARD	CONN. 3 SCHEDA PLANCIA
	CN4	CONNECTOR- CONTROL PANEL BOARD	CONN. 4 SCHEDA PLANCIA

PLDC01888\_2

Ref.	K	Part N.	Customer Part N.	Description	Qty	Validity:		Price
						From	To	
EV1		MEEV00036		SOUPAPE ELECTR.HOLE 8mm CLEAN TIME	1,00			--
F04		MEVR01428		FUSIBILE A LAMA 2 A. UNIVAL	1,00			--
F09		MEVR02060		FUSIBILE 40A	1,00			--
F10		MEVR02061		FUSIBILE 80A	1,00			--
F11		MEVR02060		FUSIBILE 40A	1,00			--
F12		MEVR02061		FUSIBILE 80A	1,00			--



Ref. K	Part N.	Customer Part N.	Description	Qty	Validity:		Price
					From	To	
0001	LAFN09302		FERMETURE -	2,00	09/2013		--
0002	MPVR49229		DOUILLE SHK	2,00			--
0003	MPVR05290		GALET TENDEUR PARACOLPI	2,00			--
0004	GUGO00164		JOINT	2,00			--
0005	LAFN04100		ENTRETOISE PER RUOTINO PARACOLPI	2,00			--
0006	MPVR06003		POIGNEE AISI 304	2,00		03/2013	--
0006	MPVR06004		POIGNEE AISI 304	2,00	03/2013		--
0008	VTRS00245		RONDELLE D.6 UNI 6592 INOX	2,00			--
0009	LAFN09012		PLAQUE -	1,00			--
0010	GUVR00301		JOINT -	1,00			--
0011	GUVR00300		JOINT -	1,00			--
0012	LAFN09301		PRISE -	2,00	09/2013		--
0014	LAFN08948		BRIDE -	1,00		09/2013	--
0014	LAFN09279		TOLE -	1,00	09/2013		--
0015	LAFN08949		BRIDE -	1,00		09/2013	--
0015	LAFN09280		TOLE -	1,00	09/2013		--
0016	MPVR08039		LAME S LATEX	1,00			--
0017	VTRS13945		RONDELLE D. 6X18 INX UNI 6593	4,00			--
0018	KTRI02048		CORPS SQUEEGEE PRESSOFUSO "S"	1,00			--
0019	VTVT00841		VIS TE M 6X65 UNI 5739 INX	2,00			--
0020	VTVT15515		VIS TE M 6X 50 INOX A2	2,00			--
0021	MPVR05897		FERMETURE S	2,00			--
0022	MPVR08035		LAME S LATEX	1,00			--
0023	LAFN08950		BRIDE -	1,00		09/2013	--
0023	LAFN09281		TOLE -	1,00	09/2013		--
0024	LAFN09283		TOLE -	1,00	09/2013		--
0024	LAFN08951		BRIDE -	1,00		09/2013	--
0025	LAFN09013		PLAQUE -	1,00			--
0026	VTVR00565		PLAQUETTE -	2,00			--
0027	VTDD00210		ECROU M 3 INOX	8,00	09/2013		--
0028	VTVT01070		VIS TSTC M3X8	8,00	09/2013		--