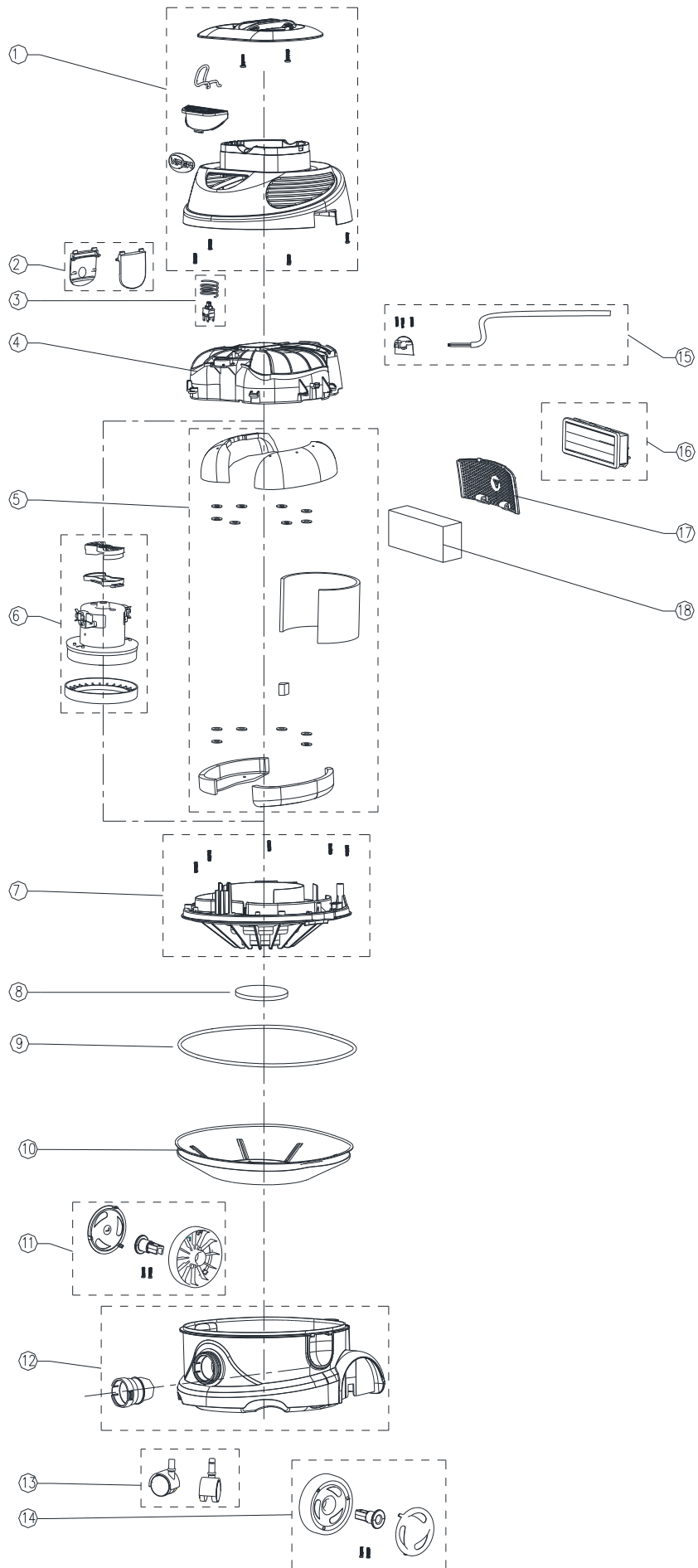


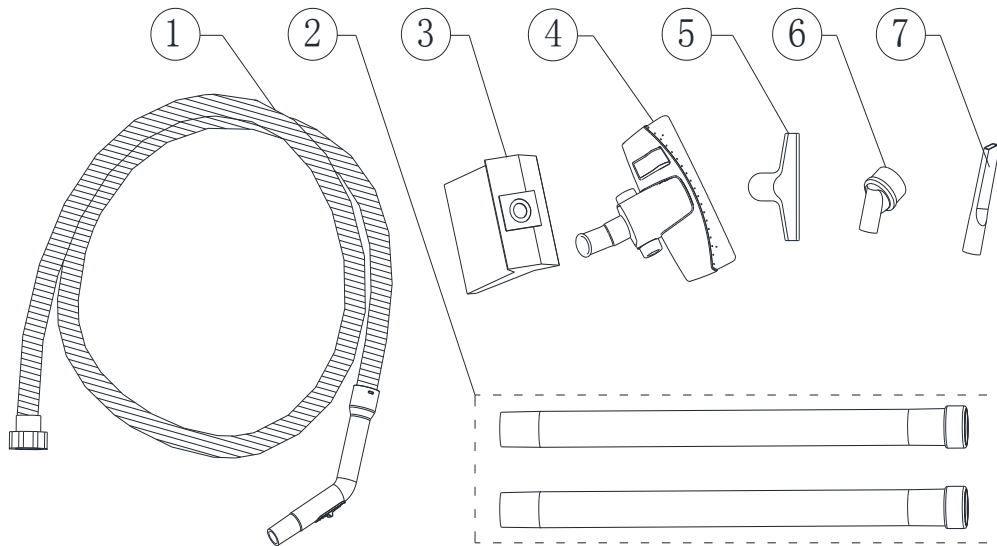
# DSU8-EU/UK AND DSU10-EU/UK PART LIST



DSU8 EU/UK AND DSU10 EU/UK PART LIST

DIA NO	PART NUMBER	PART DISCRIPTION	QTY
1	VA81359	DSU8/ DSU10 MACHINE HEAD COVER KIT	1
2	VA81360	EAGLE2 LATCH KIT	1
3	VA81395	DSU8/DSU10 FOUR FEET SWITCH KIT	1
4	VA85013	DSU8 AND DSU10 MOTOR COVER KIT	1
5	VA81362	DSU8/DSU10 NOISE REDUCTION SPONGE KIT	1
6	VA81363	DSU8 AND DSU10 MOTOR ASSEMBLY KIT	1
7	VA81364	DSU8/DSU10 MOTOR MOUNTING BASE KIT	1
8	VA85064	EAGLE2 MOTR FRONT FILTER PLATE	1
9	VA81212	DSU8 AND DSU10 GASKET KIT	1
10	VA81235	DSU8/DSU10 MAIN FILTER ASSEMBLY KIT	1
11	VA81368	EAGLE2 RIGHT REAR BIG WHEEL KIT	1
12	VA81369	DSU8 TANK + INTAKE KIT	1
	VA81370	DSU10 TANK + INTAKE KIT	1
13	VA81599	40mm CASTER KIT	1
14	VA81371	EAGLE2 LEFT REAR BIG WHEEL KIT	1
15	VA81365	DSU8/DSU10 EU POWER CORD KIT	1
	VA81366	DSU8/DSU10 UK POWER CORD KIT	1
16	VA85065	EAGLE2 HEPA KIT OPTIONAL	1
17	VA85016	DSU8 AND DSU10 EXHAUST COVER KIT	1
18	VA81218	EAGLE2 AIR EXHAUST SPONGE KIT	1

**DSU8 AND DSU10 ACCESSORY PARTS**



DIA NO	PART NUMBER	PART DISCRIPTION	MACHINE	QTY
1	VA81232	2M SUNCTION HOSE ASSY	DSU8 AND DSU10	1
2	VA81373	E-COATING IRON SUCTION TUBE ASSEMBLY	DSU8 AND DSU10	1
3	VA81223-001	8L HEPA BAG	DSU8	1
	VA81223-002	10L HEPA BAG	DSU10	1
	VA81408	8L SMS BAG OPTIONAL	DSU8	1
	VA81409	10L SMS BAG OPTIONAL	DSU10	1
4	VA85059	COMBINATION TOOL	DSU8 AND DSU10	1
5	VA81227	UPHOLSTERY TOOL	DSU8 AND DSU10	1
6	VA81226	DUSTING TOOL	DSU8 AND DSU10	1
7	VA20805-001	CREVICE TOOL	DSU8 AND DSU10	1

**DSU8 AND DSU10 Wear and Tear Parts**

ITEM	PART NUMBER	PART DISCRIPTION	MACHINE	QTY
1	VA81232	2M SUNCTION HOSE ASSY	DSU8 AND DSU10	1
2	VA81373	E-COATING IRON SUCTION TUBE ASSEMBLY	DSU8 AND DSU10	1
3	VA81223-001	8L HEPA BAG	DSU8	1
	VA81223-002	10L HEPA BAG	DSU10	1
	VA81408	8L SMS BAG OPTIONAL	DSU8	1
	VA81409	10L SMS BAG OPTIONAL	DSU10	1
4	VA85059	COMBINATION TOOL	DSU8 AND DSU10	1
5	VA81227	UPHOLSTERY TOOL	DSU8 AND DSU10	1
6	VA81226	DUSTING TOOL	DSU8 AND DSU10	1
7	VA20805-001	CREVICE TOOL	DSU8 AND DSU10	1
8	VA81218	EAGLE2 AIR EXHAUST SPONGE KIT	DSU8 AND DSU10	1