



LISTA PEZZI DI RICAMBIO
SPARE PARTS LIST

E36B 12V



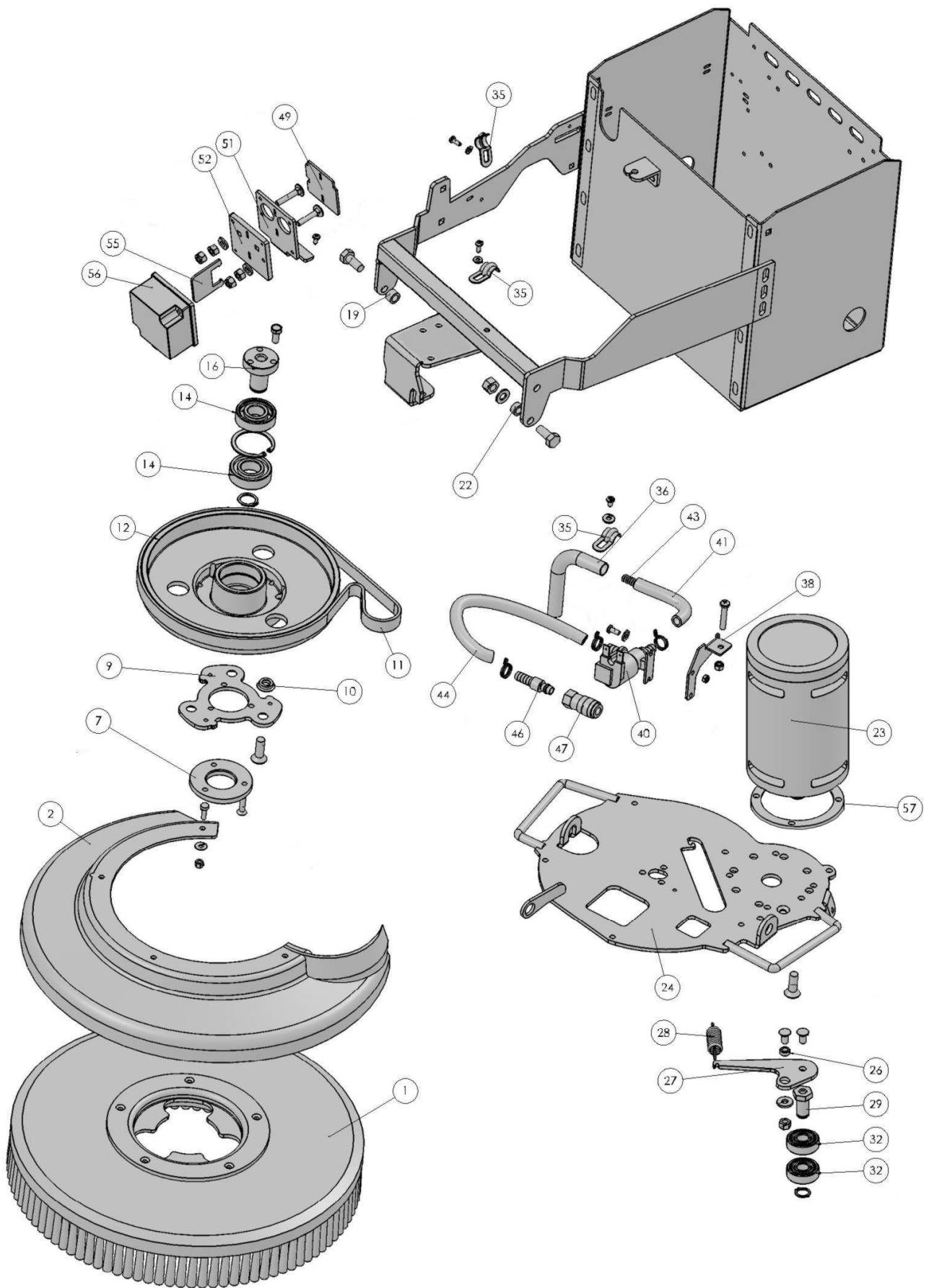
EUREKA S.R.L.

VIA DELL'INDUSTRIA 32, 35013 CITTADILLA (PD) ITALY

TEL. ++39 - 049 - 9481800

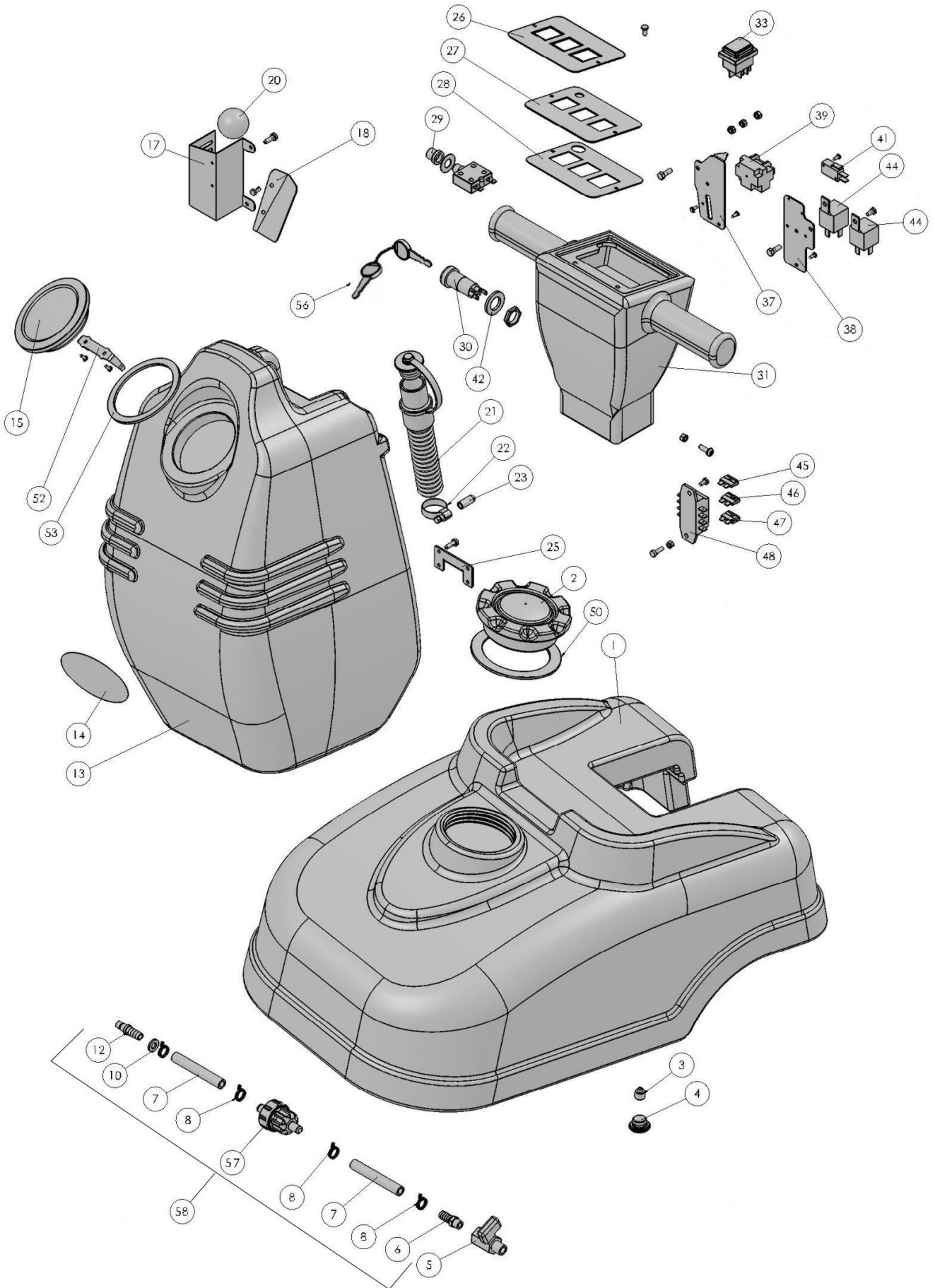
FAX. ++39 - 049 - 9481899

INTERNET: WWW.EUREKASWEEPERS.COM E-MAIL: INFO@EUREKASWEEPERS.COM



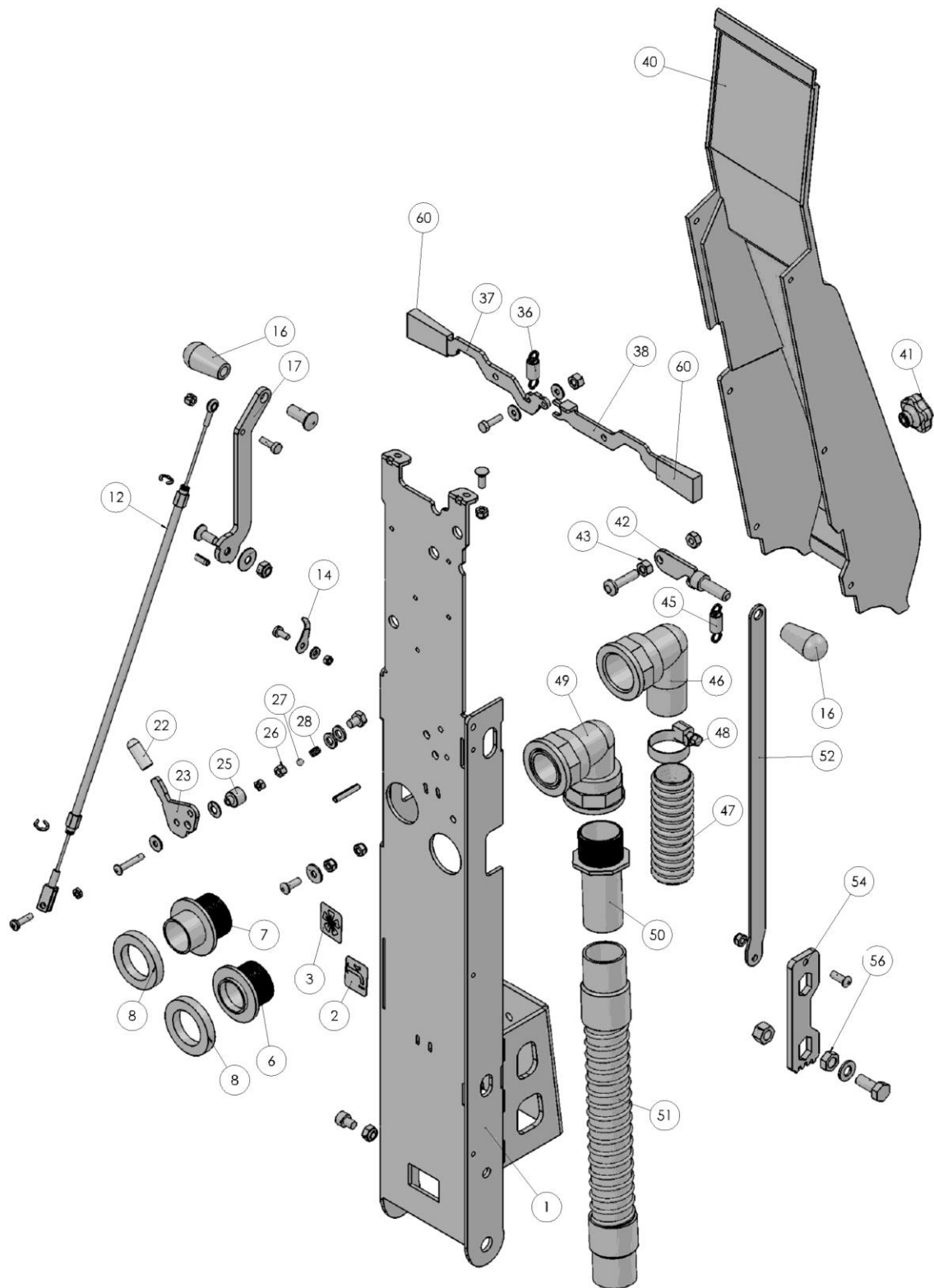
E36B TAV1

N°	COD.	E36B DESCRIZIONE TAV.1	E36B DESCRIPTION TAB.1	Q.TY
1	LR3653	SPAZZOLA NYLON 0.65 F5Z	NYLON BRUSH 0.65 F5Z	1
2	LR3686	CARTER SPAZZOLA	BRUSH CASE	1
7	LR3661	CENTRAGGIO SPAZZOLA	CENTERING BRUSH	1
9	LR3714	FARFALLA TRASCINAMENTO	BUTTERFLY DRIVE	1
10	LR3662	DISTANZIALE FARFALLA	BUTTERFLY SPACER	3
11	LR3658	CINGHIA POLI PV 790-J-6	POLI BELT PV 790-J-6	1
12	LR3659	CORPO VOLANO COMPLETO	FULL FLYWHEEL BODY	1
14	410006	CUSCINETTO 6004 2RS	BEARING 6004 2RS	2
16	LR3660	PERNO VOLANO CON FORO ALLARGATO	FLYWHEEL SUPPORT PIN WITH BIGGER HOLE	1
19	LR3664	BOCCOLA DX BASE MOTORE	RIGHT BUSH MOTOR BASIS	1
22	LR3672	BOCCOLA PER COPERCHIO	BUSH FOR COVER	1
	LR3656	MOTORE SPAZZOLE 12V 250W MOVIMOTOR	BRUSH MOTOR 12V 250W MOVIMOTOR	1
23	LR3643	MOTORE SPAZZOLE 12V 250W DALLA MATR.9739 ALLA MATR.9743 – DALLA MATR.9779 IN POI	BRUSH MOTOR 12V 250W FROM S/N 9739 TO S/N 9743 – FROM S/N 9779	1
24	LR3698/1	BASE ANTERIORE SPAZZOLA	FRONT BASIS BRUSH	1
26	LR3668	BOCCOLA PER TENDICINGHIA	BUSH FOR JOCKEY	1
27	LR3712	SUPPORTO TENDICINGHIA	JOCKEY SUPPORT	1
28	LR3667	MOLLA PER TENDICINGHIA	SPRING JOCKEY	1
29	LR3665	PERNO X TENDICINGHIA	PIN JOCKEY	1
32	410001	CUSCINETTO 6201 2RS	BEARING 6201 2RS	2
35	LR1262	GRAFFETTA MET.D.14-15 GW50813	CLIP ϕ 14-15	3
36	LR3757	CURVA GOMMA FINO A MATR.8897	RUBBER CURVE UNTIL S/N 8897	1
	LR3805	CURVA RAME D.10 SP.1 L.84 DA MATR.8898	COPPER CURVE FROM S/N 8898	1
38	LR3889	SUPPORTO ELETTROVALVOLA	SOLENOID SUPPORT	1
40	LR3692	ELETTROVALVOLA 12V	SOLENOID 12V	1
41	LR3758	TUBO ATTACCO - ELETTROVALVOLA	PIPE COUPLING SOLENOID	1
43	LR3898	MOLLA INOX FILO 0,5 D.EST.7,4	WATER CABLE SPRING	1
44	LR3759	TUBO ELETTROVALVOLA - VOLANO	SOLENOID-FLYWHEEL PIPE	1
46	LR3842	PORTAGOMMA 1/4" ϕ 9	HOSE 1/4 ϕ 9	1
47	LR3766	INNESTO RAPIDO FEMMINA 1/4"	FAST FEMALE JOINT 1/4"	1
49	LR3911	CHIUSURA POST.NODI DERIV.PPL DA MATR.8992	CLOSING BACK KNOTS DERIV. FROM S/N 8992	1
51	LR3908	SUPP.NODO DI DERIV. DA MATR.8992	KNOTS DERIVATION SUPPORT FROM S/N 8992	1
52	LR3909	BASETTA NODO DERIV.PPL NERO DA MATR.8992	KNOTS DERIVATION BASE FROM S/N 8992	1
55	LR3910	SEPARAT.NODO DERIV.PPL NERO DA MATR.8992	KNOTS DERIV. SEPARATOR FROM S/N 8992	1
56	LR3912	COPRIMORSETTIERA 50/56 DA MATR.8992	TERMINAL BLOCK COVER FROM S/N 8992	1
57	LR3930	FLANGIA PER MOTORE LR3643 DALLA MATR.9739 ALLA MATR.9743 – DALLA MATR.9779 IN POI	BRUSH MOTOR FLANGE FROM S/N 9739 TO S/N 9743 – FROM S/N 9779	1



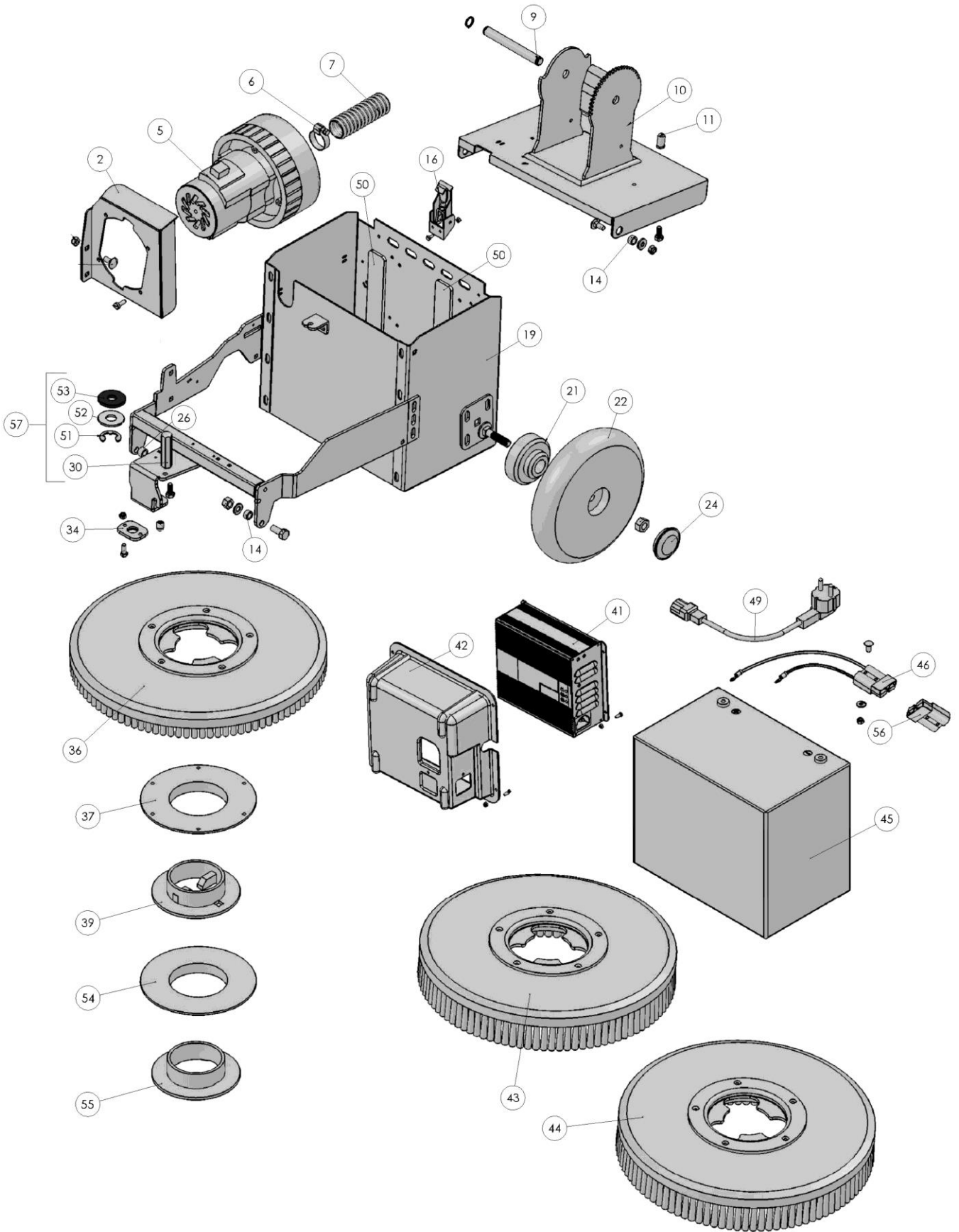
E36B TAV2

RIF.	COD.	E36B DESCRIZIONE TAV.2	E36B DESCRIPTION TAB.2	Q.TY
1	LR3790VE	SERBATOIO SOLUZIONE	SOLUTION TANK	1
2	LR0882	TAPPO SERBATOIO SOLUZIONE	SOLUTION TANK CAP	1
3	LR3806	RIDUZIONE M.1/2" - F.3/8"	ADAPTATION M.1/2" - F. 3/8"	1
4	LR3904	TAPPO MASCH.CIL.ZIGR.3/8	KNURLED CAP 3/8"	1
5	LR3755	RUBINETTO M1/4" F1/8" FINO A MATR.8897	BALL VALVE M1/4" F1/8" UNTIL S/N 8897	1
	LR3840	RUBINETTO F.1/4-M.1/4 DA MATR.8898	BALL VALVE M1/4" F1/4" FROM S/N 8898	1
6	LR3763	PORTAGOMMA 1/8" FINO A MATR.8897	HOSE COUPLING 1/8" UNTIL S/N 8897	1
	LR3842	PORTAGOMMA 1/4" Ø 9 DA MATR.8898	HOSE COUPLING 1/4" Ø 9 FROM S/N 8898	1
7	LR3764	TUBO VALVOLA-FILTRO FINO A MATR.8897	VALVE-FILTER PIPE UNTIL S/N 8897	2
	LR3799	TUBO VALVOLA-FILTRO DA MATR.8898	VALVE-FILTER PIPE FROM S/N 8898	2
8	LR1743	FASCETTE BIFILARI D.11.3 ZNT FINO A MATR.8897	TIE WIRES Ø 11,3 UNTIL S/N 8897	4
	LR1274	FASCETTE BIFILARI D.13.3 ZNT DA MATR.8898	TIE WIRES Ø 13,3 FROM S/N 8898	4
10	LR8072	RONDELLA PLASTICA Ø 8	PLASTIC WASHER Ø 8	1
12	LR3765	INN. PORTAG.8 SERIE 215 FINO A MATR.8897	HOSE COUPLING BARB UNTIL S/N 8897	1
	LR3905	INNESTO RAPIDO MASCHIO DA MATR.8898	FAST MALE JOINT FROM S/N 8898	1
13	LR3791VE	SERBATOIO RECUPERO	RECOVERY TANK CAP	1
14	510322	ADESIVO OVALE SERBATOIO EUREKA	OVAL TANK ADHESIVE EUREKA	1
15	LR0367	TAPPO SERBATOIO RECUPERO	RECOVERY TANK CAP	1
17	LR3719	SCATOLA GALLEGGIANTE INOX	BALLCOCK BOX STAINLESS STEEL	1
18	LR3780	DEFLETTORE ASPIRAZIONE INOX	SUCTION DEFLECTOR STAINLESS STEEL	1
20	LR3734	GALLEGGIANTE PALLA Ø 40	BALLCOCK Ø 40	1
21	LR3680	TUBO FLESSIBILE SCARICO	DRAIN HOSE	1
22	LR1770	FASCETTA A VITE 19/28 NORD M19 ZNT	JUBILEE CLIP 20/32	1
23	LR6102	PROTEZIONE EPS VERDE	GREEN EPS PROTECTION	1
25	LR3746	APPOGGIO SERBATOIO INOX	TANK SUPPORT STAINLESS STEEL	1
26	LR0390/2	ADESIVO QUADRO BATTERIA	BATTERY PANEL ADHESIVE	1
27	LR3717	QUADRO COMANDI BATTERIA	BATTERY CONTROL PANEL	1
28	LR3792	ADESIVO GOMMA SPUGNA	FOAM RUBBER ADHESIVE	1
29	LR3769	INTERRUTTORE TERMICO K 700 35A	THERMAL SWITCH	1
30	660070	INTERRUTTORE CON CHIAVI 0-1	SWITCH 0-1 WITH KEY	1
31	LR3688	IMPUGNATURA COMANDI	HANDLE CONTROLS	1
33	LR6114	INTERRUTTORE LUMINOSO	LIGHT SWITCH	3
37	LR3701	SUPPORTO POLO-MOLLA	POLE-SPRING SUPPORT	1
38	LR3716	SUPPORTO RELE-MICRO	RELAIS-MICRO SUPPORT	1
39	LR6227	MORSETTIERA UNIPOLARE 3 VIE	TERMINAL BOARD 3 VIE	1
41	LR3770	MICRO INTERRUTTORE 16 A 230V	MICRO SWITCH 16A 230V	1
42	LR1766	RONDELLA DENT. INT. DIN 6798 M.18 ZNT	INDENTED WASHER M.18 GALVANIZED	1
44	LR3730	RELE' CON SUPPORTO 12V 40A	RELAIS WITH SUPPORT 12V 40A	2
45	LR3751	FUSIBILE UNIVAL 1 AMP	UNIVAL FUSE 1 AMP	1
46	LR3752	FUSIBILE UNIVAL 5 AMP	UNIVAL FUSE 5 AMP	1
47	LR3753	FUSIBILE UNIVAL 20 AMP	UNIVAL FUSE 20 AMP	1
48	LR6105	PORTAFUSIBILE 4 VIE	4 WAYS FUSE HOLDER	1
50	LR3839	GOMMA SPUGNA Ø110x90x3	FOAM RUBBER GASKET Ø110x90x3	1
52	LR3787	MOLLA X COP.A/S INOX	RECOVERY TANK SPRING S/STEEL	1
53	LR3684	GUARN.GOMMA SPUGNA Ø100x83x3	FOAM RUBBER GASKET Ø100x83x3	1
56	660072	COPPIA DI CHIAVI CON CAPPUCCIO	COUPLE OF KEY HOOD	1
57	LR3807	FILTRO CHIUSO FINO ALLA MATR.8897	FILTER UNTIL S/N 8897	1
	LR3920	FILTRO APRIBILE DALLA MATR.8898	DECOMPOSABLE FILTER FROM S/N 8898	1
58	LR3921	KIT FILTRO CON TUBI SOST. LR3807	KIT FILTER REPLACE P/N LR.3807	1



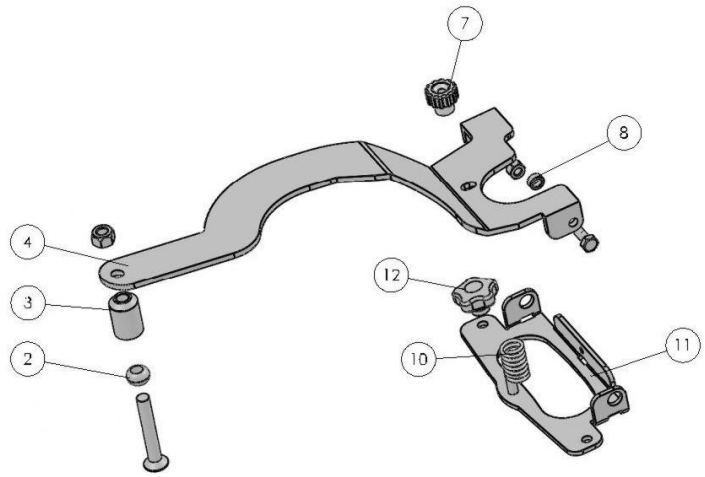
E36B TAV3

RIF.	COD.	E36B DESCRIZIONE TAV.3	E36B DESCRIPTION TAB.3	Q.TY
1	LR3699/1	SOSTEGNO MANICO	HANDLE SUPPORT	1
2	LR0432	ADESIVO VISIONE TERGIPAVIMENTO	SQUEEGEE VISIBLE ADHESIVE	1
3	LR0433	ADESIVO VISIONE ASPIRATORE	VAKUUM VISIBLE ADHESIVE	1
6	LR3677	PORTAGOMMA X TERGIPAVIMENTO	SQUEEGEE HOSE HOLDER	1
7	LR3678	PORTAGOMMA ASPIRATORE	VAKUUM HOSE HOLDER	1
8	LR3683	GUARNIZIONE INTERNO Ø 29 EPDM	INTERNAL GASKET Ø 29 EPDM	2
	LR3913	GUARNIZIONE INTERNO Ø 29 NEOPRENE	INTERNAL GASKET Ø 29 NEOPRENE	2
12	LR3721	CAVO TERGIPAVIMENTO COMPLETO	COMPLETE SQUEEGEE CABLE	1
14	LR3857	MOLLA A NASTRO PER LEVA	SPRING BAND FOR LEVER	1
16	LR3695	POMELLO PM3/36/FFC-M8	KNOB PM3/36/FFC-MB	2
17	LR3706	LEVA TERGIPAVIMENTO	SQUEEGEE LEVER	1
22	LR6102	PROTEZIONE EPS VERDE	GREEN EPS PROTECTION	1
23	LR3702	ECCENTRICO SERBATOIO RECUPERO	RECOVERY TANK ECCENTRIC CAM	1
25	LR3767	PERNO LEVA SERBATOIO RECUPERO	RECOVERY TANK LEVER PIN	1
26	LR3768	ESAGONO CH.10 PER SFERA ZNT	HEX CH. 10 FOR BALL GALVANIZED	1
27	LR1022	SFERA 3/16" Ø 4,7	BALL 3/16" Ø 4,7	1
28	LR3777	MOLLA FILO Ø0.8 Ø4.3 L.6 C.72	SPRING WIRE Ø 0.8 Ø 4.3 L.6 C.72	1
36	LR3689	MOLLA LEVE COMANDO	CONTROL LEVER SPRING	1
37	LR3707	LEVA COMANDO ARRESTO DX	RIGHT LEVER STOP	1
38	LR3708	LEVA COMANDO ARRESTO SX	LEFT LEVER STOP	1
40	LR3687	CARTER POSTERIORE MANICO	HANDLE BACK CASE	1
41	LR3794	VOLANTINO V1/20 BFP M6	KNOB V1/30 BFP M6	1
42	LR3703/1	LEVA COMANDO CRICCHETTO	RATCHET LEVER	1
43	LR3733	DISTANZIALE SERBATOIO RECUPERO	RECOVERY TANK SPACER	1
45	LR3727	MOLLA CRICCHETTO	RATCHET LEVER	1
46	LR3676	RACCORDO CURVO ASPIR. Ø28 FINO A MATR.9738	VAKUUM ELBOW Ø28 UNTIL S/N 9738	1
	LR3676/1	RACCORDO CURVO ASPIR. Ø30 DALLA MATR.9739	VAKUUM ELBOW Ø30 FROM S/N 9739	1
47	LR3682	TUBO SENZA MANIC. Ø28 X ASPIR. FINO A MATR.9738	VAKUUM FLEXIBLE TUBE UNTIL S/N 9738	1
	LR3774	TUBO CON MANIC. Ø30 X ASPIR. DALLA MATR.9739	VAKUUM FLEXIBLE TUBE FROM S/N 9739	1
48	LR1708	FASCETTA A VITE 20/32 NORD M20 Z	JUBILEE CLIP 20/32 NORD M20 Z	3
49	LR3666	RACCORDO CURVO F-F 1"	ELBOW UNION F-F 1"	1
50	LR3679	PORTAGOMMA.DRITTO 1" M	STRAIGHT HOSE HOLDER 1" M	1
51	LR3773	TUBO SUPERFLEX KLL PU/ET D.25 TERGI	SQUEEGEE FLEXIBLE TUBE	1
52	LR3704	COLLEGAMENTO LEVA-CRICCHETTO	LEVER-RATCHET CONNECTION	1
54	LR3705	CRICCHETTO DENTATO	TOOTHED RATCHET	1
56	LR3663	RULLINO CRICCHETTO ESAGONALE	HEX RATCHET ROLLER	2
60	LR3720	MANOPOLA IN PVC A PRESS.MOD.1018	PVC PRESSURE HANDLE GRIP	2

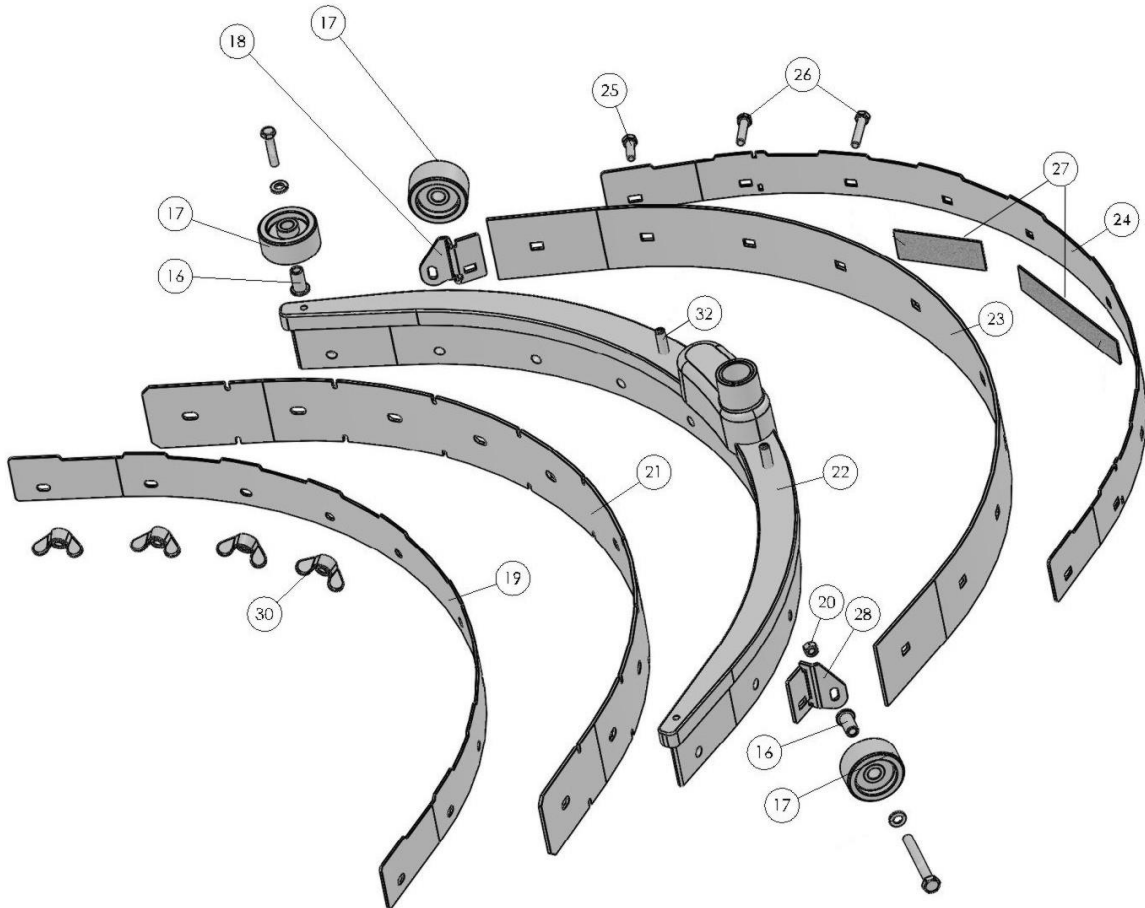


E36B TAV4

RIF	COD.	E36B DESCRIZIONE TAV.4	E36B DESCRIPTION TAB.4	Q.T Y
2	LR3711	SUPPORTO ASPIRATORE	VAKUUM SUPPORT	1
5	LR3651	MOTORE ASPIRAZIONE 12V	VAKUUM MOTOR 12V	1
6	LR1708	FASCETTA A VITE 20/32 NORD M20 Z	JUBILEE CLIP 20/32 NORD M20 Z	1
7	LR3682	TUBO FLESSIBILE ASPIRATORE	VAKUUM FLEXIBLE TUBE	1
9	LR3715	PERNO ROTAZIONE MANICO Ø 12	HANDLE ROTATION PIN ø 12	1
10	LR3697/1	COPERCHIO BATTERIA	BATTERY COVER	1
11	LR3670	PERNO CENTRAGGIO SERBATOIO A/S	RECOVERY TANK CENTERING PIN	1
14	LR3672	BOCCOLA PER COPERCHIO Ø 12x5.8	BUSH FOR COVER ø 12X5.8	3
16	LR3671	CHIUSURA A LEVA REGOLABILE	ADJUSTABLE TOGGLE LATCH	2
19	LR3696/1	TELAIO E VANO BATTERIE	BATTERY CHASSIS AND SPACE	1
21	LR3673	SUPPORTO RUOTA Ø 35x17 ZNT	WHEEL SUPPORT ø 35X17 GALVANIZED	2
22	LR3674	RUOTA D.200 2X2RS	WHEEL D.200 2X2RS	2
24	LR3674/2	COPRIMOZZO G-48 GRIGIO 7016	COVER G-48 GREY 7016	2
26	LR3664	BOCCOLA DX BASE MOTORE	BASE MOTOR DX BUCKLE	1
30	LR3675	PERNO SERBATOIO SOLUZIONE	SOLUTION TANK PIN	1
31	LR6102	PROTEZIONE EPS VERDE	GREEN EPS PROTECTION	1
34	LR3713	PIASTRINA SNODO TERGIPAVIMENTO	SQUEEGEE PIVOT PLATE	1
36	LR3654	DISCO TRASCINATORE C0-355L	PAD DRIVER CO-335L	1
37	LR3784	CENTER LOCK FEMMINA TRAS. NERO	FEMALE PAD DRIVER CENTER LOCK BLACK	1
39	LR3785	CENTER LOCK MASCHIO TRAS. NERO	MALE PAD DRIVER CENTER LOCK BLACK	1
41	LR3650	CARICA BATTERIE CBHD1-LBF 12V 8A SPE	BATTERY CHARGER CBHD1-LBF 12V 8A SPE	1
	LR3645	CARICA BATTERIE N.E. DALLA MATR.9739 ALLA MATR.9743 – DALLA MATR.9779 IN POI	BATTERY CHARGER N.E. FROM S/N 9739 TO S/N 9743 – FROM S/N 9779	1
42	LR3772	CARTER CARICA BATTERIA FINO A MAT.9424	BATTERY CHARGER CASE UNTIL S/N 9424	1
	LR3915/KIT	CARTER CARICA BATTERIE SOST. LR3772	BATTERY CHARGER CASE REPLACE LR.3772	1
	LR3915/1	CARTER CARICA BATTERIE DA MAT.9425	BATTERY CHARGER CASE FROM S/N 9425	1
	LR3917/1	CARTER CARICA BATTERIE DALLA MATR.9739 ALLA MATR.9743 – DALLA MATR.9779 IN POI	BATTERY CHARGER CASE FROM S/N 9739 TO S/N 9743 – FROM S/N 9779	1
43	LR3657	SPAZZOLA PPL 0.45 OPTIONAL	PPL BRUSH 0.45 OPTIONAL	1
44	520105	SPAZZOLA TYNEX 1.2 OPTIONAL	TYNEX BRUSH 1.2 OPTIONAL	1
45	LR3648	BATTERIA 12V 85A AGM (C20)	BATTERY 12V 85A AGM (C20)	1
46	LR6251/1	CABLAGGIO BATTERIA COMPLETO	FULL BATTERY WIRING	1
49	LR3650/1	CAVO CARICA BATTERIE EUROPEO	EUROPEAN BATTERY CHARGER CABLE	1
	LR3650/2	CAVO CARICA BATTERIE AMERICANO	AMERICAN BATTERY CHARGER CABLE	1
50	LR3907	GOMMA ADES.EPDM SP.4X215X30 SH.70	ADHESIVE RUBBER 4X215X30 SH.70	2
51	LR1773	SEEGER E D.12-RS RADIALE	RADIAL SEEGER D.12	1
52	LR1774	ROND.F.LARGA M.12 -14 X 36 ZNT	WASHER M.12 -14 X 36 GALVANIZED	1
53	LR3922	GOMMA ADES.EPDM D.13 X 38 SP.4	GASKET EPDM D.13 X 38 SP.4	1
54	520103	CENTER LOCK FEMMINA TRAS. VERDE	FEMALE PAD DRIVER CENTER LOCK GREEN	1
55	520104	CENTER LOCK MASCHIO TRAS. VERDE	MALE PAD DRIVER CENTER LOCK GREEN	1
56	640140	CONNETT.ROSSO SR50R X CAV.16 X BATT.	SR50R RED CONNECTOR	1
57	LR3675CPL	PERNO SERBATOIO COMPLETO DALLA MATR.9425	COMPLETE SOLUTION TANK PIN FROM S/N 9425	1



31



RIF.	COD.	E36B DESCRIZIONE TAV.5	E36B DESCRIPTION TAB.5	Q.TY
2	LR3685	SNODO TERGIPAVIMENTO Ø 14.8x10	SQUEEGEE JOINT ø 14.8X10	1
3	LR3776	DISTANZIALE SNODO ZNT	JOINT SPACER GALVANIZED	1
4	LR3710	TIMONE TERGIPAVIMENTO	SQUEEGEE RUDDER	1
7	LR3794	VOLANTINO V1/20 BFP M 6	WASHER ø 6 STAINLESS STEEL	1
8	LR3668	BOCCOLA TERGIPAVIMENTO	SQUEEGEE BUSH	2
10	LR3725	MOLLA TERGIPAVIMENTO	SQUEEGEE SPRING	1
11	LR3709/1	STAFFA TERGIPAVIMENTO	SQUEEGEE CLAMP	1
12	LR3775	VOLANTINO V1/30 BFP M6	HANDWHEEL V1/30 BFP M6	2
16	LR3735	BOCCOLA PER RUOTA	BUSH FOR WHEEL	4
17	LR3736	RUOTA Ø 38/40 PLASTICA	WHEEL ø 38/40 PLASTIC	4
18	LR3737	SUPPORTO DX RUOTA INOX	RIGHT WHEEL SUPPORT S/STEEL	1
19	LR3740	FASCIA ANTERIORE TERGIPAV. INOX	SQUEEGEE FRONT BAND S/STEEL	1
20	720011	DADO BLOCK M.5 ZNT	BLOCK NUT M.5 GALVANIZED	2
21	380015	GOMMA ANTERIORE TERGIP. IN LINATEX	SQUEEGEE FRONT RUBBER LINATEX	1
	380018	GOMMA ANT. TERGIPAV. POLIURETANO	SQUEEGEE FRONT RUBBER POLIURETAN	1
22	LR3745	CORPO TERGIPAVIMENTO ALLUMINIO FINO A MAT.10212	SQUEEGEE ALUMINIUM BODY UNTIL S/N 10212	1
	LR3745/1	CORPO TERGIPAVIMENTO ALLUMINIO ASOLA 9mm DA MAT.10213	SQUEEGEE ALUMINIUM BODY 9mm SLOT FROM S/N 10213	1
23	380014	GOMMA POST. TERGIPAV. IN LINATEX	SQUEEGEE BACK RUBBER LINATEX	1
	380017	GOMMA POST. TERGIPAV. POLIURETANO	SQUEEGEE BACK RUBBER POLIURETAN	1
24	LR3739	FASCIA POSTERIORE TERGIPAV. INOX	SQUEEGEE BACK BAND S/STEEL	1
25	LR1760	VITE T/T Q.S.T. M.5X20 INOX A2	R.H.S.U. SCREW M.5X20 S/STEEL	2
26	LR1762	VITE T/T Q.S.T. M.5X30 INOX A2	R.H.S.U. SCREW M.5X30 S/STEEL	6
27	M30175	ABRASIVO FASCIA POSTERIORE TERGI	ABRASIVE FOR SQUEEGEE BACK BAND	24cm
28	LR3738	SUPPORTO SX RUOTA INOX	LEFT WHEEL SUPPORT S/STEEL	1
30	LR1754	DADI AD ALETTE M.5 INOX A2	WINGS NUT M.5 S/STEEL	8
31	LR3745CPL	TERGIPAVIMENTO COMPLETO	COMPLETE SQUEEGEE	1
32	LR1750	VITE STEI M6x25	SCREW STEI M6x25	2

LISTE RICAMBI CONSIGLIATI E36B
RECOMMENDED SPARE PARTS LIST - EMPFOHLENE ERSATZTEILE LISTE
LISTE DE PIECES RECOMMANDÉES - LISTA DE PIEZAS ACONSEJADAS

LISTA A (MATERIALI DI CONSUMO)
 LIST A (WEARABLE MATERIAL)
 LISTE A (ABNUTZUNGSMATERIAL)
 LISTE A (MATERIELLES DE CONSOMMATION)
 LISTA A (MATERIALES DE CONSUMO)

CODICE N° PART. NO. CODE NR.	QUANTITÀ QUANTITY Anzahl	DESCRIZIONE	DESCRIPTION
LR3651	1	MOTORE ASPIRAZIONE 12V	VAKUUM MOTOR 12V
LR3653	1	SPAZZOLA LAVARE CO 355L 0.65 STANDARD	CO 355L 0.65 BRUSH DISC STANDARD
LR3654	1	DISCO TRASCINATORE CO-355L 1,0 F5Z	CO-355L 1 F5Z PAD HOLDER DISC
LR3658	1	CINGHIA POLI PV 790-J-6	POLY PV 790-J-6 BELT
LR3680	1	TUBO FLESS.SCARICO D.25MM L.500	D.25 L.500 UNLOAD FLEXIBLE PIPE
LR3681	1	TUBO FLESS.TERGI D.25 L.750	D.25 L.750 WIPER FLEXIBLE PIPE
LR3913	2	GUARNIZIONE INTERNO Ø 29 NEOPRENE	INTERNAL GASKET ø 29 NEOPRENE
LR3692	1	ELETTRORVALVOLA 12V	SOLENOID 12V
LR3721	1	CAVO SOLL.TERGI COMPLETO	WIPER LIFTING CABLE
LR3730	2	RELE CON SUPP.12V 30A	12V30A RELAIS WITH SUPPORT
LR6114	3	INTERR. BIP. LUM.	BRIGHT SWITCH
380014	1	GOMMA TERGI POST. IN LINATEX	LINATEX POSTERIOR WIPER RUBBER
380015	1	GOMMA TERGI ANT. IN LINATEX	LINATEX ANTERIOR WIPER RUBBER
380017	1	GOMMA TERGI POST. POLIURETANO	POLIURETAN POST. WIPER RUBBER
380018	1	GOMMA TERGI ANT. POLIURETANO	POLIURETAN ANT. WIPER RUBBER
LR3751	1	FUSIBILE UNIVAL 2 AMP	UNIVAL 2A FUSE
LR3752	1	FUSIBILE UNIVAL 5 AMP	UNIVAL 5A FUSE
LR3753	1	FUSIBILE UNIVAL 20 AMP	UNIVAL 20A FUSE
LR3920	1	FILTRO APRIBILE	DECOMPOSABLE FILTER
LR3905	1	INNESTO RAPIDO MASCHIO	FAST MALE JOINT
LR3766	1	INNESTO RAPIDO FEMMINA	FAST FEMALE JOINT
660070	1	INTERUTTORE CON CHIAVI 0-1 ESTRAZI	KEY SWITCH 0-1
640140	1	CONNETT.ROSSO SR50R X CAV.16 MM2	SR50R C16MM2 RED CONNECTOR

LISTA B (MATERIALI PER INTERVENTI ORDINARI)
 LIST B (MATERIAL FOR ORDINARY MAINTENANCE)
 LISTE B (MATERIAL FÜR ORDENTLICHE WARTUNG)
 LISTE B (MATERIELLES POUR OPERATIONS ORDINAIRES)
 LISTA B (MATERIALES PARA OPERACIONES ORDINARIAS)

CODICE N° PART. NO. CODE NR.	QUANTITÀ QUANTITY Anzahl	DESCRIZIONE	DESCRIPTION
LR1708	3	FASCETTA A VITE 20/32 NORD M20 Z	20/32 NORD M20 Z JUBILEE CLIP
LR3650	1	CARICA BATT.CBHD1-LBF 12V 8A X L	CBHD1-LBF 12V 8A BATTERY CHARGER
LR3671	2	CHIUSURA A LEVA REGOLAB NICH SEN	ADJUSTABLE CLOSING LEVER
LR3674	2	RUOTA D.200 BOX 2 FORO 10 2X2RS	D.200 BOX F10 2X2RS WHEEL
LR3687	1	CARTER POST.COPERT.MANICO NERO G	POSTERIOR HANDLE BLACK CARTER
LR0882	1	COPERCHIO FIL.SERB.SOLUZIONE A/P	SOLUTION TANK COVER
LR0367	1	COPERCHIO SERB. RECUPERO A/S	RECOVERY TANK COVER
LR3736	4	RUOTA D.38/40 PLASTICA	D.38/40 PLASTIC WHEEL
LR3840	1	VALV.SFERA 1/4 M 1/8 F 40101800G	1/4 M 1/8 F 40101800G SPHERE VALVE
LR3769	1	INTERRUT.TERM.K 700 35A	K700 35A THERMAL INTERRUPTER
LR3770	1	MICRO INTERRUPTORE 16A 230V	16A 230V MICRO INTERRUPTER
LR3784	1	CORPO FILETT. FEMMINA PER TRAS.NERO	PAD HOLDER DISC FEMALE BODY HANDLE BLACK
LR3785	1	CORPO FILETT. MASCHIO PER TRAS.NERO	PAD HOLDER DISC MALE BODY BLACK
520103	1	CORPO FILETT. FEMMINA PER TRAS.VERDE	PAD HOLDER DISC FEMALE BODY HANDLE GREEN
520104	1	CORPO FILETT. MASCHIO PER TRAS.VERDE	PAD HOLDER DISC MALE BODY GREEN