



# Parts List

FANG 24T-EU

FANG 26T-EU

FANG 28T-EU



english	Parts list.....	1-20
deutsch	Betriebsanleitung .....	XXX
français	Notice d'utilisation .....	XXX
nederlands	Gebruiksaanwijzing .....	XXX
italiano	Istruzioni sull'uso .....	XXX
español	Instrucciones de manejo.....	XXX
português	Instruções de operação .....	XXX

Company information:  
[www.vipercleaning.eu](http://www.vipercleaning.eu)  
[info-eu@vipercleaning.com](mailto:info-eu@vipercleaning.com)



**DESCRIPTION****PLAN**

Parts List

3 - 19

Wear and Tear Parts

20

**WHEN ORDERING PARTS**

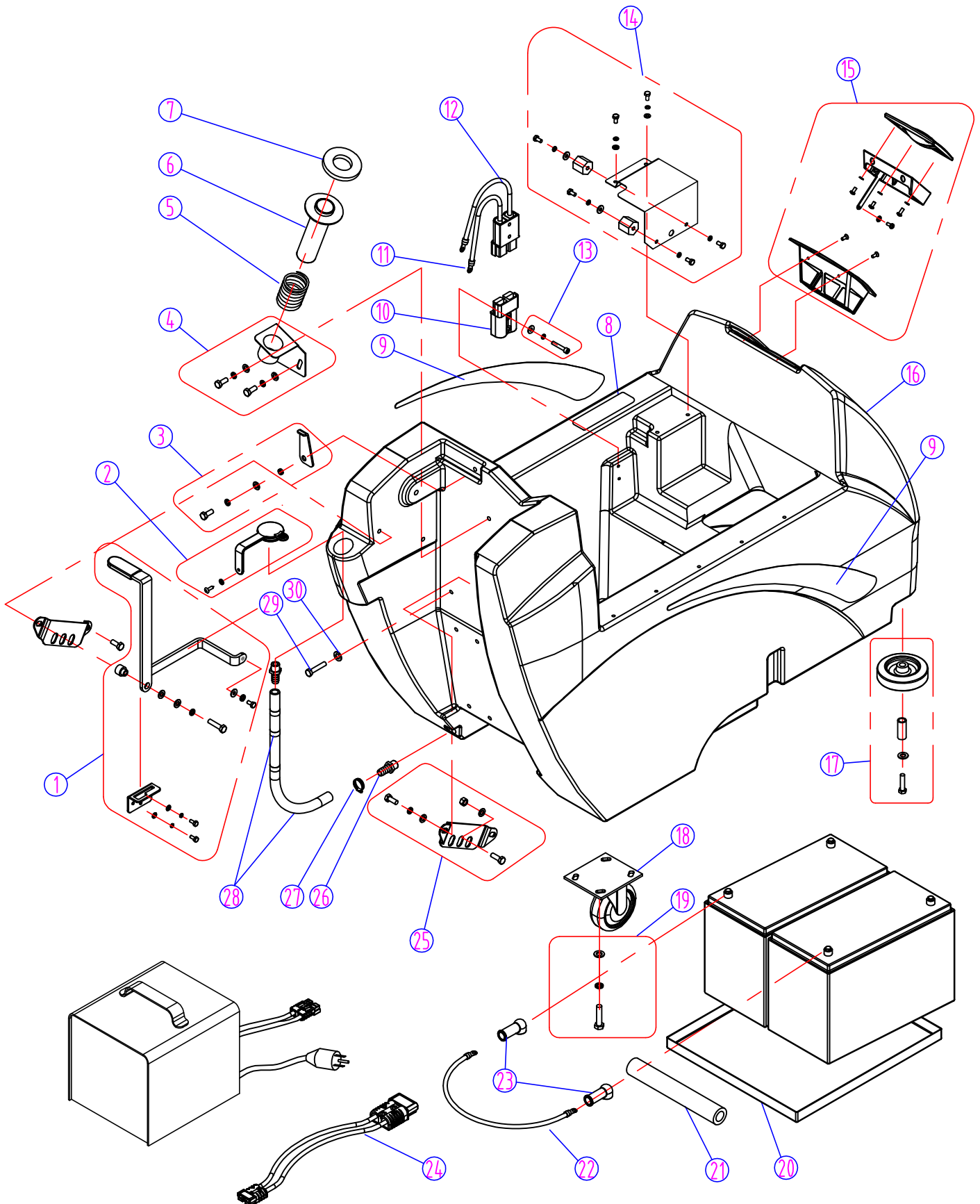
- \* Use the 7,8 or 9 digit part numbers from the "part number" columns in this parts list.
- \* Specify the model and serial number of the machine.
- \* Use the space below to record the model and the serial Number for future reference.

Model\_\_\_\_\_

Serial No.\_\_\_\_\_

# PARTS LIST

## FANG 24T, FANG 26T & FANG 28T - SOLUTION TANK ASSEMBLY



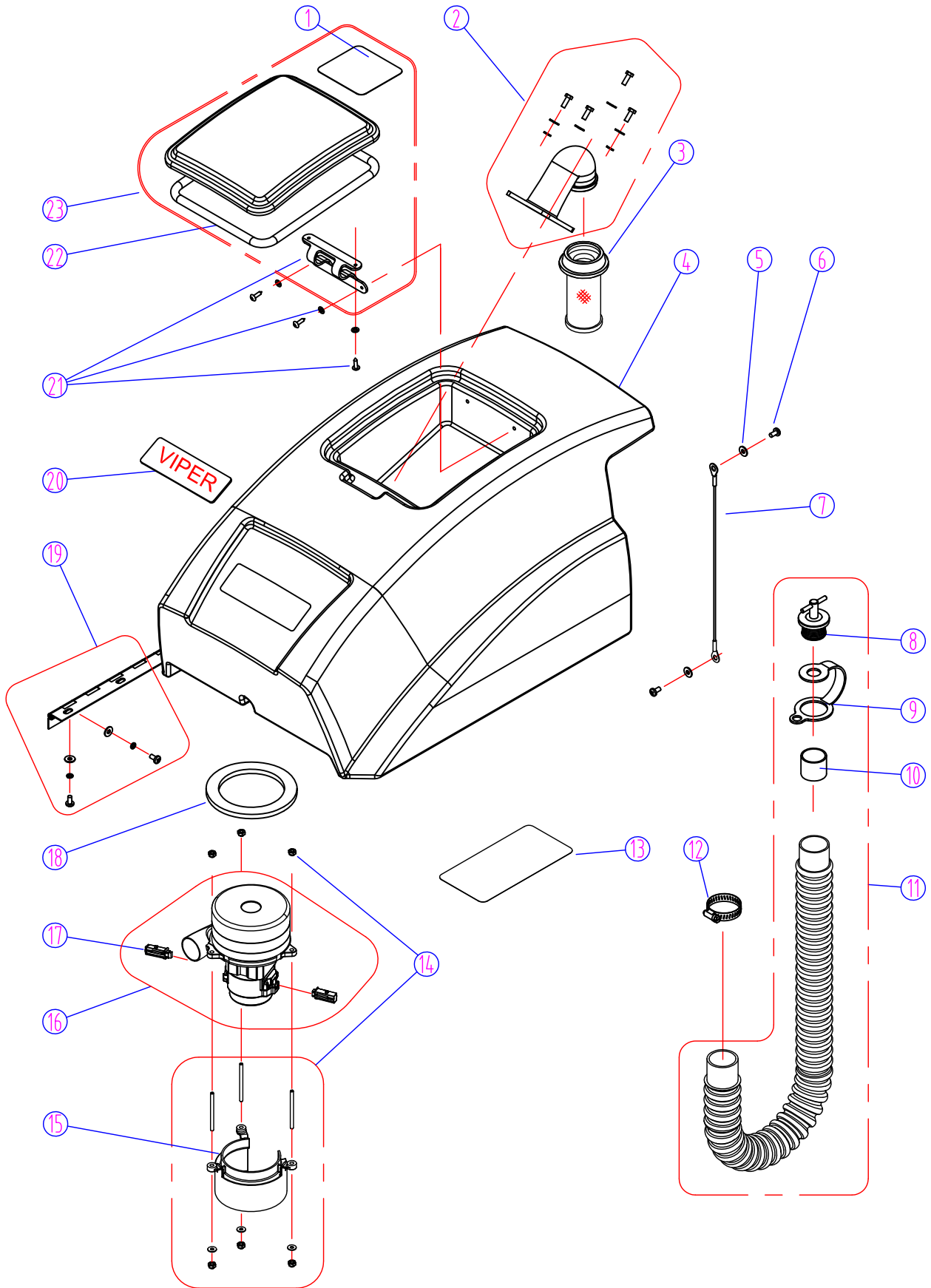
**NOTES:** 1. Needed batteries, 2 x 12 V, Dimension compartment (L\*W\*H) 410\*362\*390 mm  
2. Needed charger, 24V 15A-20A

FANG24T, FANG26T & FANG28T - SOLUTION TANK ASSEMBLY

DIA NO	PART NUMBER	DESCRIPTION	NO REQ'D
1	VF83124A	SQUEEGEE LIFT HANDLE KIT	1
2	VF82154A	REAR FILL PLUG KIT	1
3	VF81404A	SUPPORT KIT RECOVERY TANK	1
4	VF82029B	VAC TUBE BRACKET KIT	1
5	VF82032	SPRING	1
6	VF82030	ADAPTER TUBE	1
7	VF82031A	TUBE ADAPTER GASKET	1
8	VF82123	DECAL	1
9	VF82070A	LEFT & RIGHT LABEL KIT	1
10	VF81306	CONNECTOR 175A	2
11	VF81747	WIRE 6 AWG X 750MM	1
12	VF81748	WIRE 6 AWG X 750 MM	1
13	VF13633E	CONNECTOR MOUNTING KIT	1
14	VF82067A	SOLENOID BRACKET KIT	1
15	VF82081A	FILL SCREEN PLUG KIT	1
16	VF83101	SOLUTION TANK	1
17	VF99001A	4 INCH WHEEL KIT	2
18	VF83111	4 INCH CASTER	2
19	VF13634A	SCREW KIT	2
20	VF83140	TRAY BATTERY	1
21	VF82072	SPACER BATTERY	1
22	VF82403	CABLE BATTERY	1
23	VF81724	BLACK CAPS BATTERY	2
	VF81724R	RED CAPS BATTERY	2
24	VF81307	TRANSITION CABLE CHARGE	1
25	VA81408A	LOCK PLATE KIT	2
26	VF81416	HOSE BARB	2
27	VF82090	CLAMP 16MM-25MM	1
28	VF81123	TUBING KIT WITH LABEL	1
29	VF14248	SCREW M8X100	1
30	VA13516	WASHER PLAIN M10XM30X1.5	1

PARTS LIST

FANG 24T, FANG 26T & FANG 28T - RECOVERY TANK ASSEMBLY

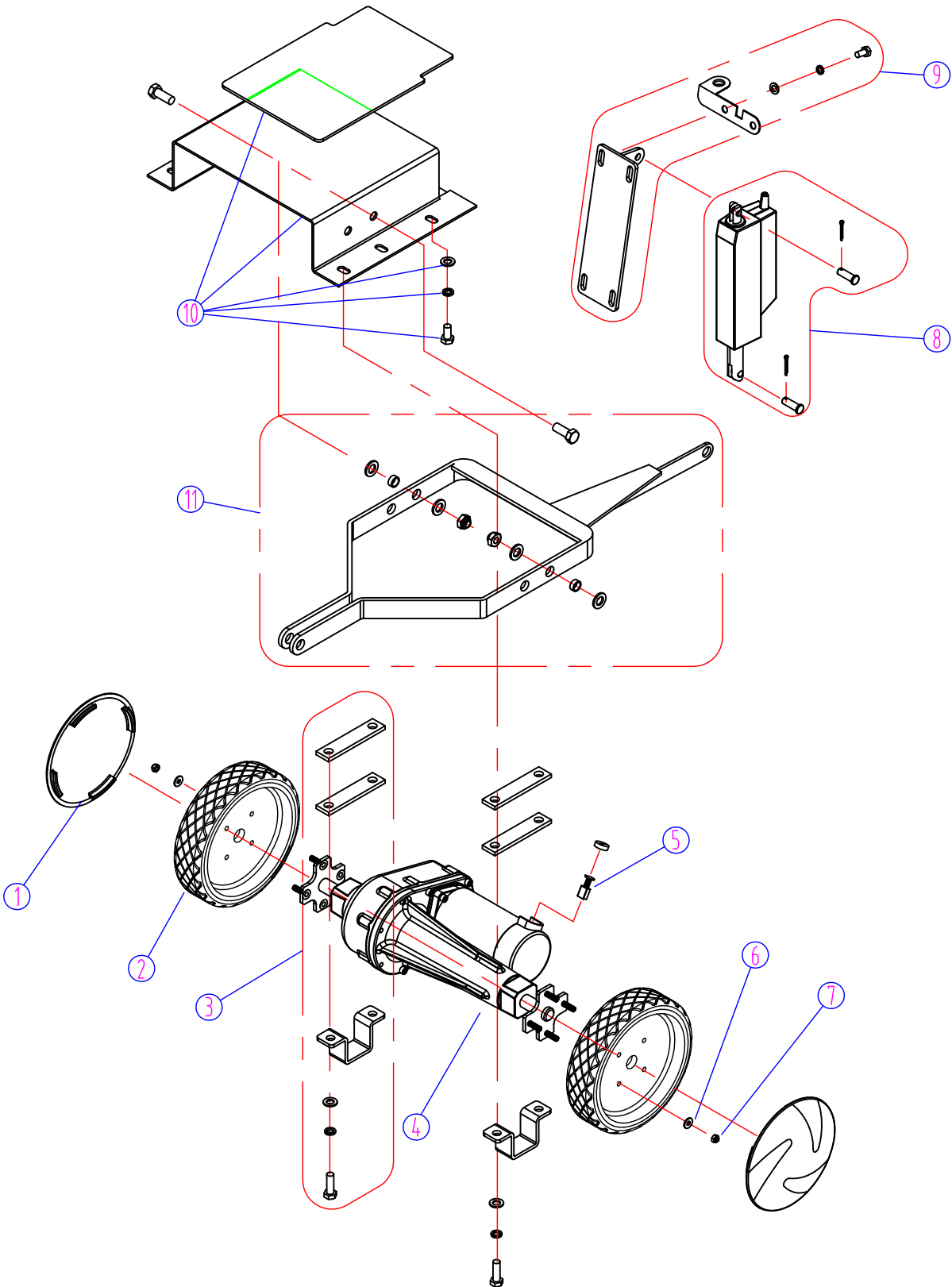


## FANG24T, FANG26T & FANG28T - RECOVERY TANK ASSEMBLY

DIA NO	PART NUMBER	DESCRIPTION	NO REQ'D
1	VF82083	BATTERY WARNING DECAL	1
2	VF82009A	ELBOW ADAPTOR KIT FLOAT	1
3	VF81504	FLOAT	1
4	VF83102	RECOVERY TANK	1
5	VF13528	WASHER TOOTH LOCK M6	2
6	VF13495	SCREW M6 X 16	2
7	VF82028	CABLE	1
8	VF81509	PLUG EXPANSION	1
9	VF81510-9	STRAP DRAINHOSE	1
10	VF81510-2	SLEEVE DRAINHOSE	1
11	VF81510A	DRAIN HOSE ASSEMBLY	1
12	VF83154	DECAL, BATTERY INSTALLATION	1
13	VW10113	2 INCH CLAMP	1
14	VF81135A	VACUUM MOTOR COVER & STUD KIT	1
15	VF81135	VACUUM MOTOR COVER	1
16	ZD54000	VACUUM MOTOR 3 STAGE 24VDC	1
17	ZD53501A	CARBON BRUSH	2
18	VF81503	SEAT	1
19	VF82011A	RECOVERY TANK HINGE KIT	1
20	VF82082	LOGO	1
21	VF82010E	RUBBER HINGE KIT	1
22	VF82010B	GASKET	1
23	VF82010-X	LID KIT	1

# PARTS LIST

## FANG 24T, FANG 26T & FANG 28T - BRUSH LIFT / DRIVE ASSEMBLY



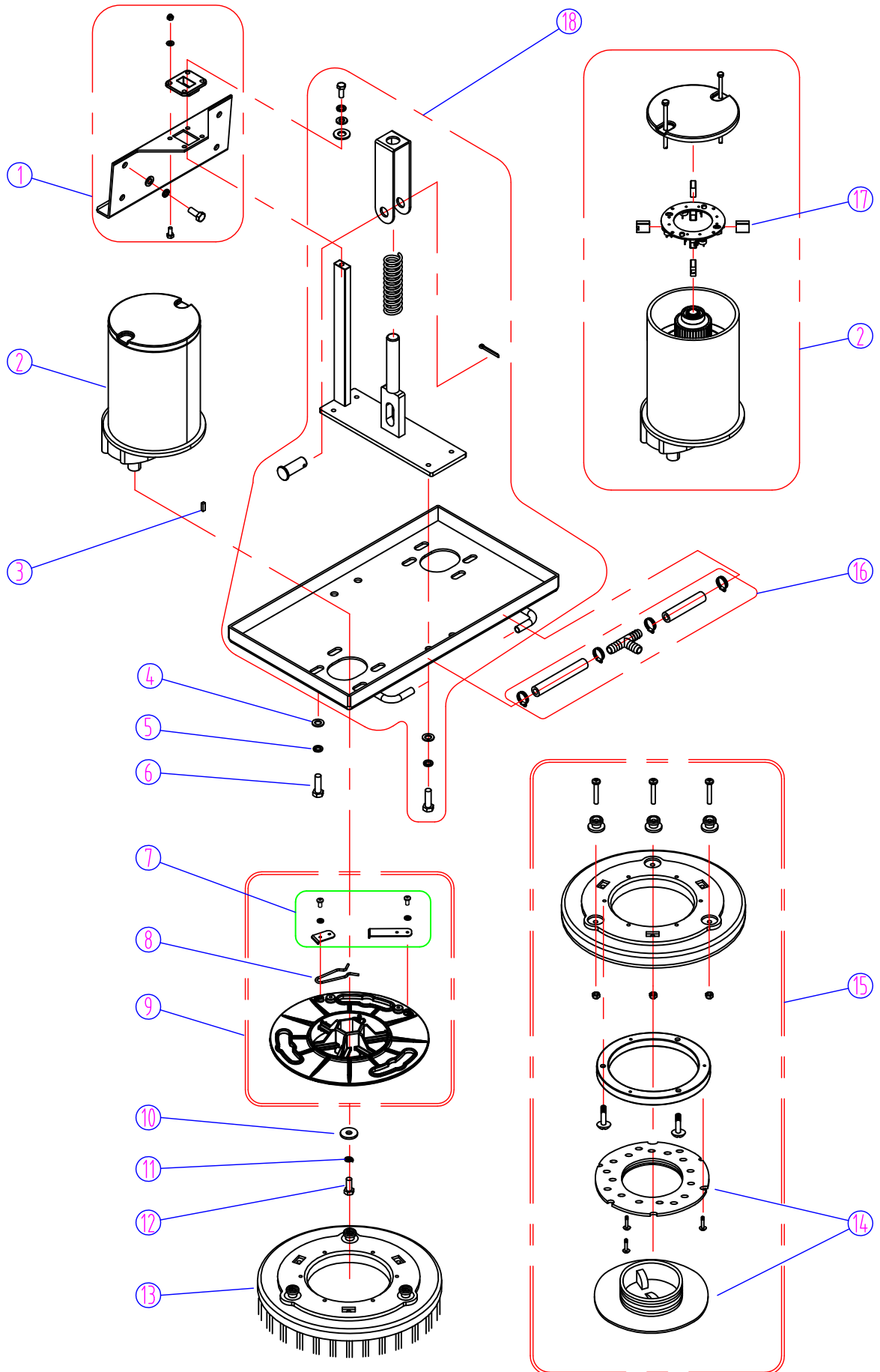
**FANG24T, FANG26T & FANG28T - BRUSH LIFT / DRIVE ASSEMBLY**

<b>DIA NO</b>	<b>PART NUMBER</b>	<b>DESCRIPTION</b>	<b>NO REQ'D</b>
1	VF82080	HUB CAP	2
2	VF81106	8 INCH WHEEL	2
3	VF81102A	BRACKET KIT TRANSAXLE MOUNT	2
4	VF81600	TRANSAXLE 24VDC 250W	1
5	ZD46315	CARBON BRUSH FOR TRANSAXLE MOTOR	2
6	VF13533	WASHER PLAIN M6X M16X2	8
7	VF13502	NUT LOCK M6	8
8	VF81301A	ACTUATOR KIT INCLUDING PIN	1
9	VF83135A	ACTUATOR KIT BRACKET	1
10	VF81101E	FRAME KIT	1
11	VF83136A	BRACKET KIT LIFT DUAL MOTOR	1



# PARTS LIST

## FANG 24T, FANG 26T & FANG 28T - BRUSH / PAD DRIVE ASSEMBLY

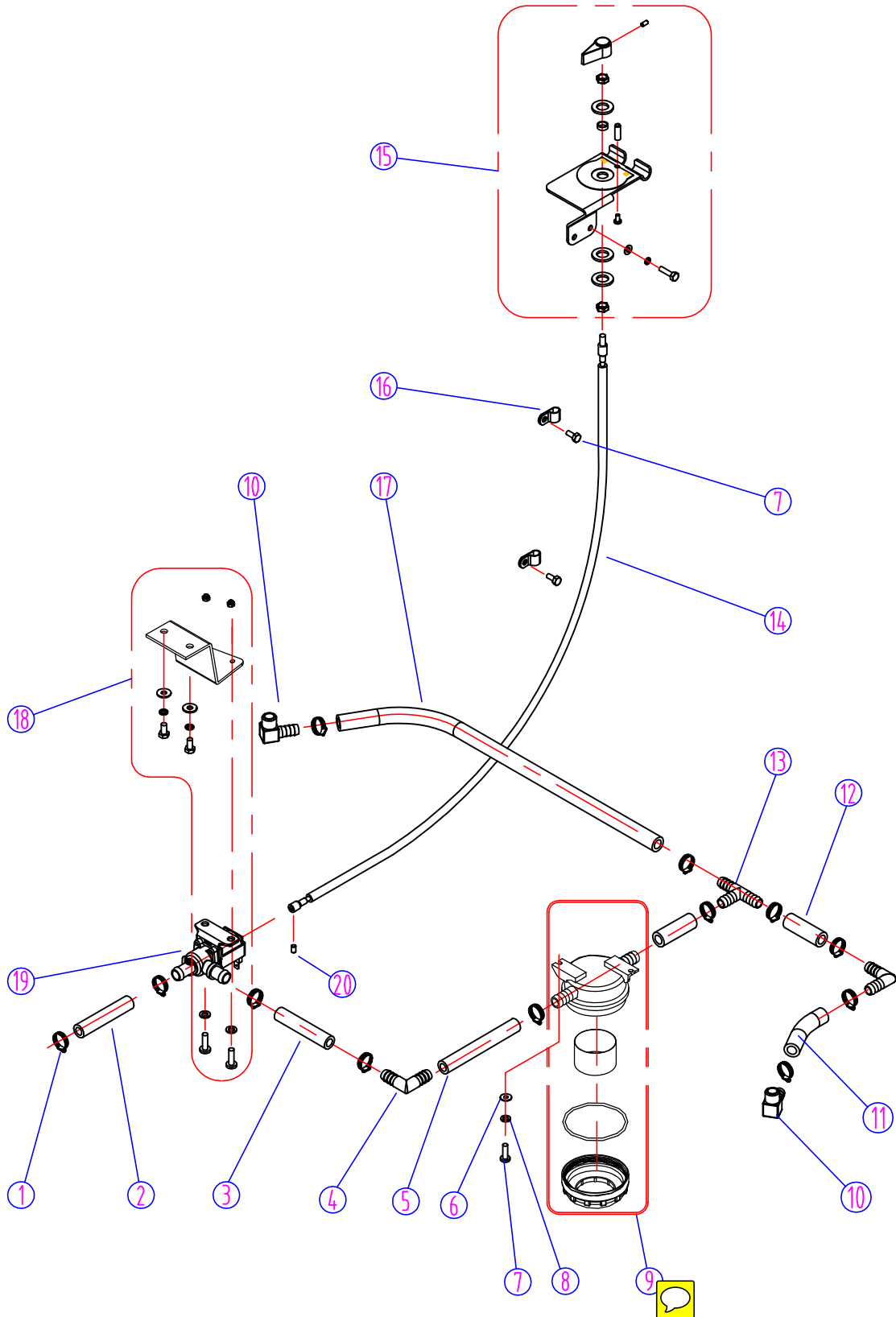


**FANG24T FANG26T & FANG28T - BRUSH / PAD DRIVE ASSEMBLY**

<b>DIA NO</b>	<b>PART NUMBER</b>	<b>DESCRIPTION</b>	<b>NO REQ'D</b>
1	VF83116B	SKIRT SUPPORT PLATE KIT	1
2	ZD45000	BRUSH MOTOR 24VDC 0.75HP	2
3	ZD45407	KEY 6.35 X 25	2
4	VF13537	WASHER PLAIN M10 X M26X2	8
5	VV13620	WASHER LOCK 3/8 INCH	8
6	VF14242	SCREW 3/8 INCH -1 INCH	8
7	VF83134A	STOP & DRIVE RELEASE KIT	2
8	VF83132	SPRING	2
9	VF83130A	PLATE DRIVE ASSY	2
10	VF82058	WASHER	2
11	VV20298	WASHER LOCK 5/16 INCH	2
12	VF14241	SCREW 5/16 INCH	2
13	VF81104	11 INCH BRUSH FOR FANG 24T	2
	VF83127	12 INCH BRUSH FOR FANG 26T	2
	VF83206	13 INCH BRUSH FOR FANG 28T	2
14	VF99003A	BIG MOUTH	2
15	VF81105	11 INCH PAD HOLDER FOR FANG 24T	2
	VF83128	12 INCH PAD HOLDER FOR FANG 26T	2
	VF83207	13 INCH PAD HOLDER FOR FANG 28T	2
16	VF81121A	TUBING KIT	1
17	ZD11305	CARBON BRUSH	8
18	VF81112A	24 INCH OR 26 INCH MOTOR MOUNT BRACKET KIT	1
	VF83205A	26 INCH OR 28 INCH MOTOR MOUNT BRACKET KIT	1

# PARTS LIST

## FANG 24T, FANG26T & FANG 28T - SOLUTION CONTROL ASSEMBLY

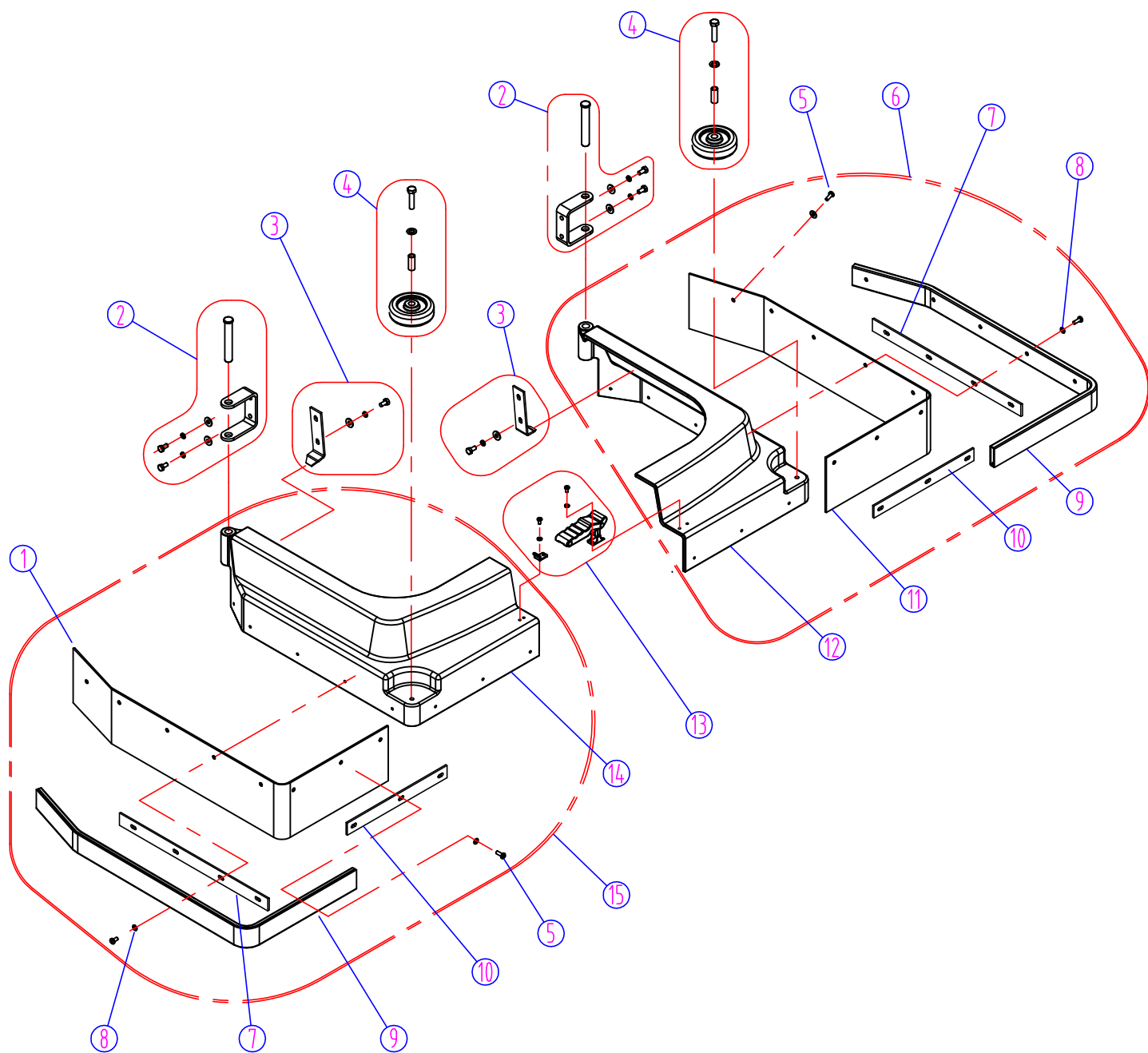


FANG24T, FANG26T & FANG28T - SOLUTION CONTROL ASSEMBLY

DIA NO	PART NUMBER	DESCRIPTION	NO REQ'D
1	VV10114	CLAMP	14
2	VF81127	TUBING 65mm	2
3	VF81126	TUBING 80mm	1
4	VF82042	ELBOW	2
5	VF81125	TUBING 200mm	1
6	VF13532	WASHER PLAIN M5	2
7	VV20509	SCREW M5 X 10	2
8	VV13601	WASHER LOCK M5	2
9	VF80111A	FILTER KIT	1
10	VF81403A	ELBOW SOLUTION TANK	2
11	VF81124	TUBING 115mm	1
12	VF81134	TUBING 50mm	2
13	VF82040	HOSE BARB TEE	1
14	VF83121	CABLE SOLENOID	1
15	VF82038A	VALVE ADJUST KIT	1
16	VF81118	CLAMP	2
17	VF81128	TUBING 320mm	1
18	VF83120A	BRACKET KIT SOLENOID	1
19	VF82033	SOLENOID 24VDC	1
20	VF14245	SCREW M5X6	1

# PARTS LIST

## FANG 24T, FANG 26T & FANG 28T - BRUSH SKIRT ASSEMBLY

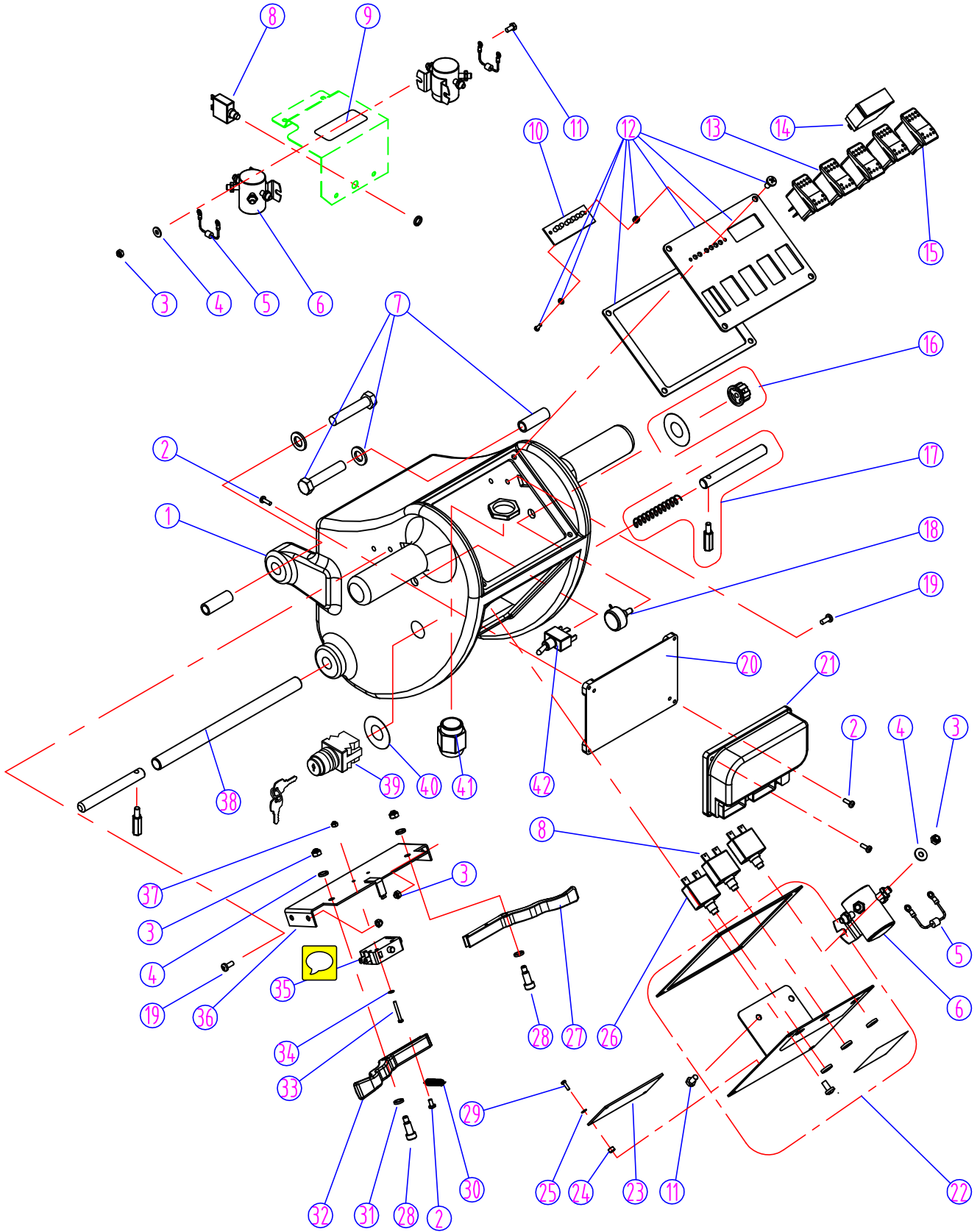


**FANG24T, FANG26T & FANG28T - BRUSH SKIRT ASSEMBLY**

<b>DIA NO</b>	<b>PART NUMBER</b>	<b>DESCRIPTION</b>	<b>NO REQ'D</b>
1	VF81109	BUMPER FOR FANG 24T	2
	VF83105	BUMPER FOR FANG 26T	2
	VF83203	BUMPER FOR FANG 28T	2
2	VF83107A	SKIRT MOUNT BRACKET KIT	2
3	VF83142A	SKIRT BLOCK KIT	2
4	VF82013E	3 INCH WHEEL	2
5	VA13474	SCREW M5 X 16	18
6	VF81108R	RIGHT SKIRT ASSEMBLY FOR FANG 24T	1
	VF83104R	RIGHT SKIRT ASSEMBLY FOR FANG 26T	1
	VF83202R	RIGHT SKIRT ASSEMBLY FOR FANG 28T	1
7	VF81130	BUMPER CLAMP FOR FANG 24T	2
	VF83151	BUMPER CLAMP FOR FANG 26T	2
	VF83214	BUMPER CLAMP FOR FANG 28T	2
8	VF13550	WASHER PLAIN M5 X M25 X 1.5	18
9	VF81117	BUMPER GRIP FOR FANG 24T	2
	VF83147	BUMPER GRIP FOR FANG 26T	4
	VF83212	BUMPER GRIP FOR FANG 28T	2
10	VF81131	CLAMP, BUMPER (FANG 24T)	2
	VF83213	CLAMP, BUMPER (FANG 28T)	2
11	VF81109A	BUMPER LONG FOR FANG 24T	2
	VF83105A	BUMPER LONG FOR FANG 26T	2
	VF83203A	BUMPER LONG FOR FANG 28T	2
12	VF81108	RIGHT SKIRT FOR FANG 24T	1
	VF83104	RIGHT SKIRT FOR FANG 26T	1
	VF83202	RIGHT SKIRT FOR FANG 28T	1
13	VF83109A	SKIRT LATCH KIT	1
14	VF81107	LEFT SKIRT FOR FANG 24T	1
	VF83103	LEFT SKIRT FOR FANG 26T	1
	VF83201	LEFT SKIRT FOR FANG 28T	1
15	VF81107L	LEFT SKIRT ASSEMBLY FOR FANG 24T	1
	VF83103L	LEFT SKIRT ASSEMBLY FOR FANG 26T	1
	VF83201L	LEFT SKIRT ASSEMBLY FOR FANG 28T	1

# PARTS LIST

## FANG 24T, FANG 26T & FANG 28T - CONTROL HOUSING



FANG24T, FANG26T & FANG28T - CONTROL HOUSING

DIA NO	PART NUMBER	DESCRIPTION	NO REQ'D
1	VF82301	HOUSING CONTROL	1
2	VF13491	SCREW M4X12	7
3	VF13502	NUT LOCK M6	10
4	GT13032	WASHER PLAIN M6	6
5	VF81781	DIODE 400V	3
6	VF81726	SOLENOID 24V	3
7	VF81713A	BUSHING KIT	2
8	VF81734	BREAKER CIRCUIT 35 AMP	3
9	VF83149	CIRCUIT BREAKER LABEL	1
10	VF81718	CIRCUIT BREAKER LIGHTS	1
11	VF13495	SCREW M6X16	4
12	VF81708E	SWITCH PANEL KIT FOR FANG24T	1
	VF83138E	SWITCH PANEL KIT FOR FANG26T	1
	VF83209E	SWITCH PANEL KIT FOR FANG28T	1
13	VF81721	SWITCH LIGHTED ROCKER	4
14	VF81727	GAUGE BRUSH PRESSURE	1
15	VF81725	SWITCH BRUSH LIFT	1
16	VF81730A	KNOB SPEED CONTROL KIT	1
17	VF81709A	HANDLE LOCK PIN KIT	2
18	VF81729	POTENTIOMETER 4.7K	1
19	VF14200	SCREW M6X16	4
20	VF82316	PLATE	1
21	VF81739-24T	SPEED CONTROL BOARD	1
22	VF81116A	CONTROL HOUSING PANEL KIT FANG24T	1
	VF83146A	CONTROL HOUSING PANEL KIT FANG26T	1
	VF83211A	CONTROL HOUSING PANEL KIT FANG28T	1
23	VF81703	BATTERY CAPACITY CONTROL BOARD	1
24	VF81719	SPACER	4
25	VA50477	WASHER PLAIN M3XM10X1	4
26	VF99012	CIRCUIT BREAKER 12 AMP	1

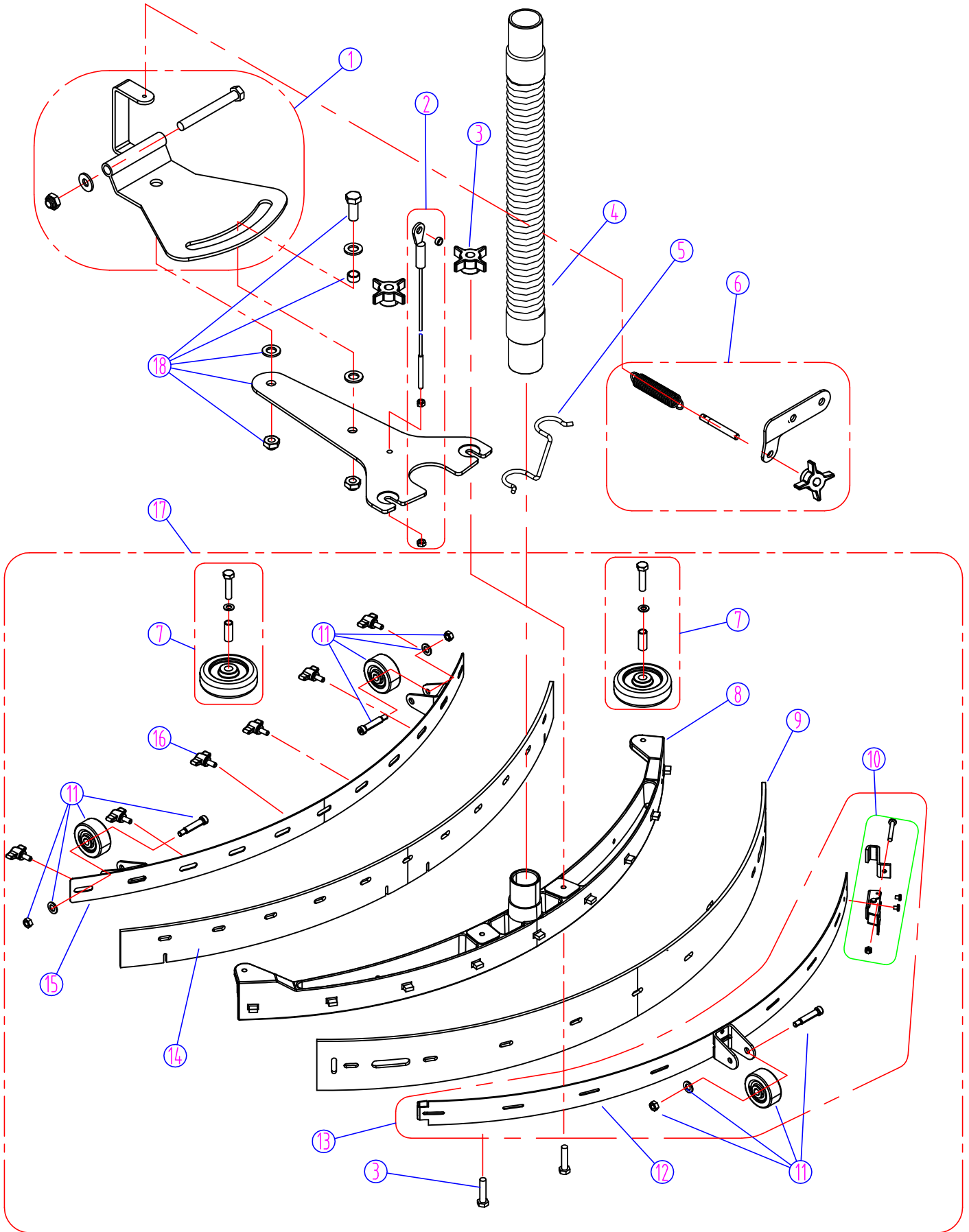


FANG24T, FANG26T & FANG28T - CONTROL HOUSING

DIA NO	PART NUMBER	DESCRIPTION	NO REQ'D
27	VF82107	RIGHT HANDLE	1
28	VF81711	BOLT SHOULDER M8XM15X6	2
29	VF14078	SCREW M3X10	4
30	VF81712	SPRING	1
31	VF13514A	WASHER PLAIN M8XM16.5X1	2
32	VF82106	LEFT HANDLE	1
33	VF14212	SCREW M3X25	2
34	VF13511	WASHER TEETH M3	2
35	VF44203	SWITCH ASSEMBLY	1
36	VF81707	24 INCH SWITCH BRACKET	1
37	VV13652	NUT LOCK M3	2
38	VF81714	HANDLE ADJUSTMENT TUBE	1
39	VF82165	KEY SWITCH	1
40	VF82160	KEY SWITCH LABEL	1
41	VF81744	STRAIN RELIFE CORD	1
42	VF81722	TOGGLE SWITCH	1

PARTS LIST

FANG 24T, FANG 26T & FANG 28T - SQUEEGEE ASSEMBLY



FANG24T, FANG26T & FANG28T - SQUEEGEE ASSEMBLY

DIA NO	PART NUMBER	DESCRIPTION	NO REQ'D
1	VF83122A	MOUNTING PIVOT KIT	1
2	VF81243A	SGUEEGEE CABLE KIT	1
3	VF81210A	KNOB & SCREW KIT M8	2
4	VF81203A	HOSE	1
5	VF83150	HOSE HOLDER	1
6	VF83125A	SPRING BRACKET KIT	1
7	VF82013E	3 INCH WHEEL KIT	2
8	VF81201	SQUEEGEE HOUSING FOR FANG 24T & FANG 26T	1
	VF81231	SQUEEGEE HOUSING FOR FANG 26T & FANG 28T	1
9	VF81206	REAR BLADE SQUEEGEE FOR 24T&26T PU	1
	VF81216	REAR BLADE SQUEEGEE FOR 24T&26T NEOPRENE	1
	VF81237	REAR BLADE SQUEEGEE FOR 28T PU	1
	VF81235	REAR BLADE SQUEEGEE FOR 28T NEOPRENE	1
10	VF81218A	LATCH AND HOOD KIT	1
11	VF81219A	2 INCH WHEEL	3
12	VF81214	BACKUP STRIP REAR SQUEEGEE FOR FANG24T & FANG26T	1
	VF81233	BACKUP STRIP REAR SQUEEGEE FOR FANG28T	1
13	VF81214A	BACKUP STRIP KIT REAR SQUEEGEE FOR FANG24T & FANG26T	1
	VF81233A	BACKUP STRIP KIT REAR SQUEEGEE FOR FANG28T	1
14	VF81205	FRONT BLADE SQUEEGEE FOR 24T&26T PU	1
	VF81215	FRONT BLADE SQUEEGEE FOR 24T&26T NEOPRENE	1
	VF81236	FRONT BLADE SQUEEGEE FOR 28T PU	1
	VF81234	FRONT BLADE SQUEEGEE FOR 28T NEOPRENE	1
15	VF81213	BACKUP STRIP FRONT SQUEEGEE FOR 24T & 26T	1
	VF81232	BACKUP STRIP FRONT SQUEEGEE FOR 28T	1
16	VF82121	KNOB M6	6
17	VF81008A	SQUEEGEE ASSEMBLY FOR FANG24T & FANG26T	1
	VF81008B	SQUEEGEE ASSEMBLY FOR FANG28T	1
18	VF83123A	SQUEEGEE MOUNT BRACKET KIT	1

## WEAR AND TEAR PARTS

PART No.	DESCRIPTION	QTY	MACHINE
VF44203	SWITCH	1	FANG24T&26T&28T
VF81721	SWITCH LIGHTED ROCKER	1	FANG24T&26T&28T
VF83130A	DRIVE PLATE ASSEMBLY	1	FANG24T&26T&28T
VF81600	TRANSAXLE 24VDC	1	FANG24T&26T&28T
ZD72000A	TRANSAXLE MOTOR 24VDC	1	FANG24T&26T&28T
ZD45000	BRUSH MOTOR	1	FANG24T&26T&28T
VF81510A	DRAIN HOSE KIT	1	FANG24T&26T&28T
VF81509	EXPANSION PLUG	1	FANG24T&26T&28T
VF82031	ADAPTER TUBE GASKET	1	FANG24T&26T&28T
VF82033	SOLUTION SOLENOID, VALVE	1	FANG24T&26T&28T
VF80111A	FILTER KIT	1	FANG24T&26T&28T
VF83111	4 INCH SWIVEL CASTER	2	FANG24T&26T&28T
VF81210A	KNOB & SCREW M8 KIT	2	FANG24T&26T&28T
VF81243	SQUEEGEE LIFT CABLE KIT	1	FANG24T&26T&28T
VF82063	BLADE, SQUEEGEE, REAR (PU)	1	FANG24T&26T&28T
VF82062	BLADE, SQUEEGEE, FRONT (PU)	1	FANG24T&26T&28T
VF82010B	GASKET	1	FANG24T&26T&28T
VF82010X	LID KIT	1	FANG24T&26T&28T
ZD54000	MOTOR VACUUM 3 STAGE 24VDC	1	FANG24T&26T&28T
VF81503	GASKET,VACUUM MOTOR	1	FANG24T&26T&28T
VF81306	BATTERY CONNECTOR	1	FANG24T&26T&28T
VF81726	SOLENOID 24VDC	1	FANG24T&26T&28T
VF81734	CIRCUIT BREAKER 35AMP	2	FANG24T&26T&28T
VF99012	CIRCUIT BREAKER 12AMP	1	FANG24T&26T&28T
VF81106	8 INCH WHEEL	2	FANG24T&26T&28T
VF81729	POTENTIOMETER 4.7K	1	FANG24T&26T&28T
VF81739-24T	SPEED CONTROL BOARD	1	FANG24T&26T&28T
VF81109	BUMPER	2	FANG24T
VF81206	REAR SQUEEGEE BLADE	1	FANG24T&26T
VF81205	FRONT SQUEEGEE BLADE	1	FANG24T&26T
VF83105	BUMPER	2	FANG26T
VF83203	BUMPER	2	FANG28T
VF81237	REAR SQUEEGEE BLADE	1	FANG28T
VF81236	FRONT SQUEEGEE BLADE	1	FANG28T