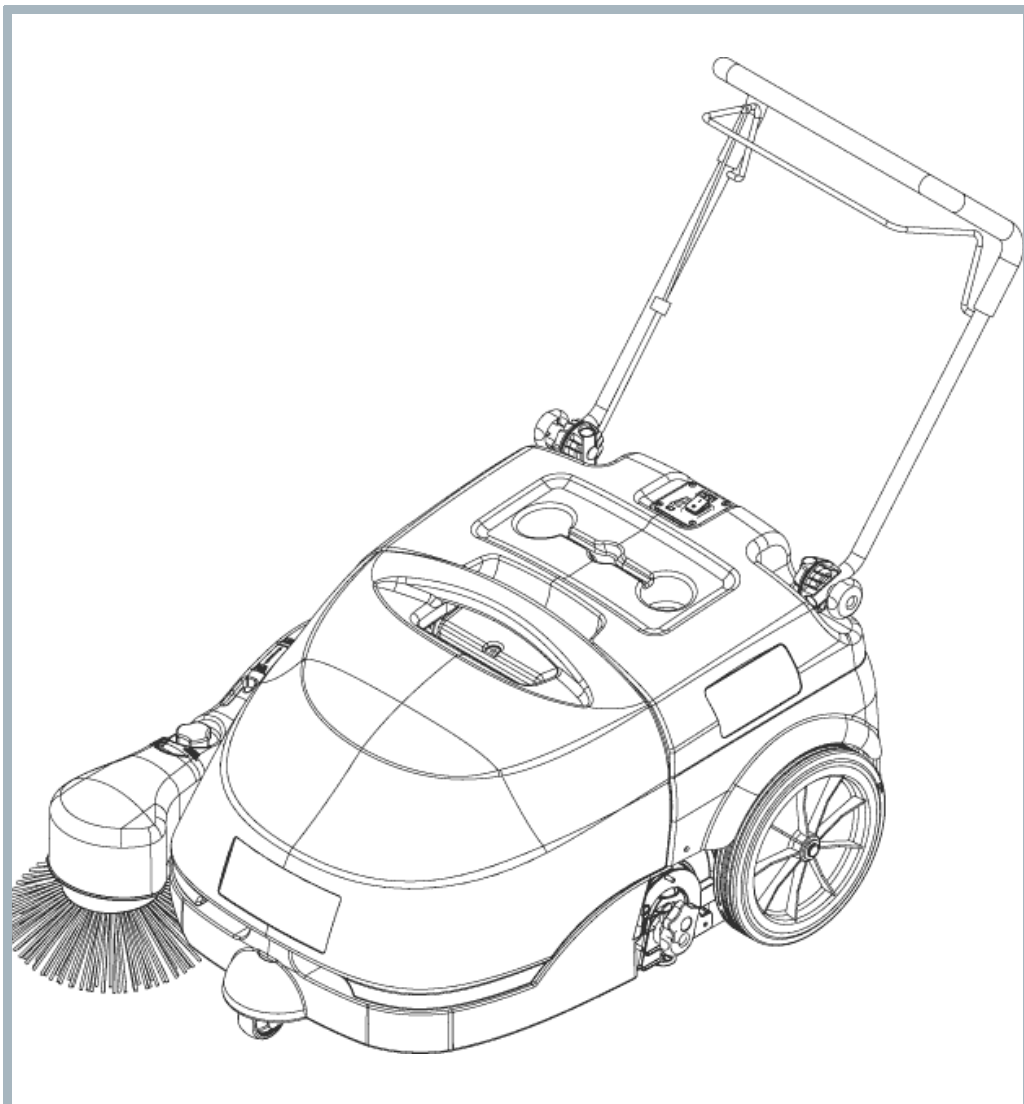


# FLOORTEC 350

---

Model:  
FLOORTEC 350  
FLOORTEC 350 B ALTO



Part List US-English

04-12-2014

# Table of Contents

FLOORTEC 350

|  |           |
|--|-----------|
| <b>General view</b>                            | <b>3</b>  |
| <b>Chassis system</b>                          | <b>5</b>  |
| <b>Side broom assembly</b>                     | <b>7</b>  |
| <b>Hopper system</b>                           | <b>9</b>  |
| <b>Transmission</b>                            | <b>11</b> |
| <b>Right and left hatch assemblies</b>         | <b>13</b> |
| <b>Belt tensioner assemblies</b>               | <b>15</b> |
| <b>Dust control system</b>                     | <b>17</b> |
| <b>Vacuum system and filter assembly</b>       | <b>19</b> |
| <b>Control panel system</b>                    | <b>21</b> |
| <b>Wiring diagram</b>                          | <b>23</b> |
| <b>Recommended spare parts and accessories</b> | <b>25</b> |

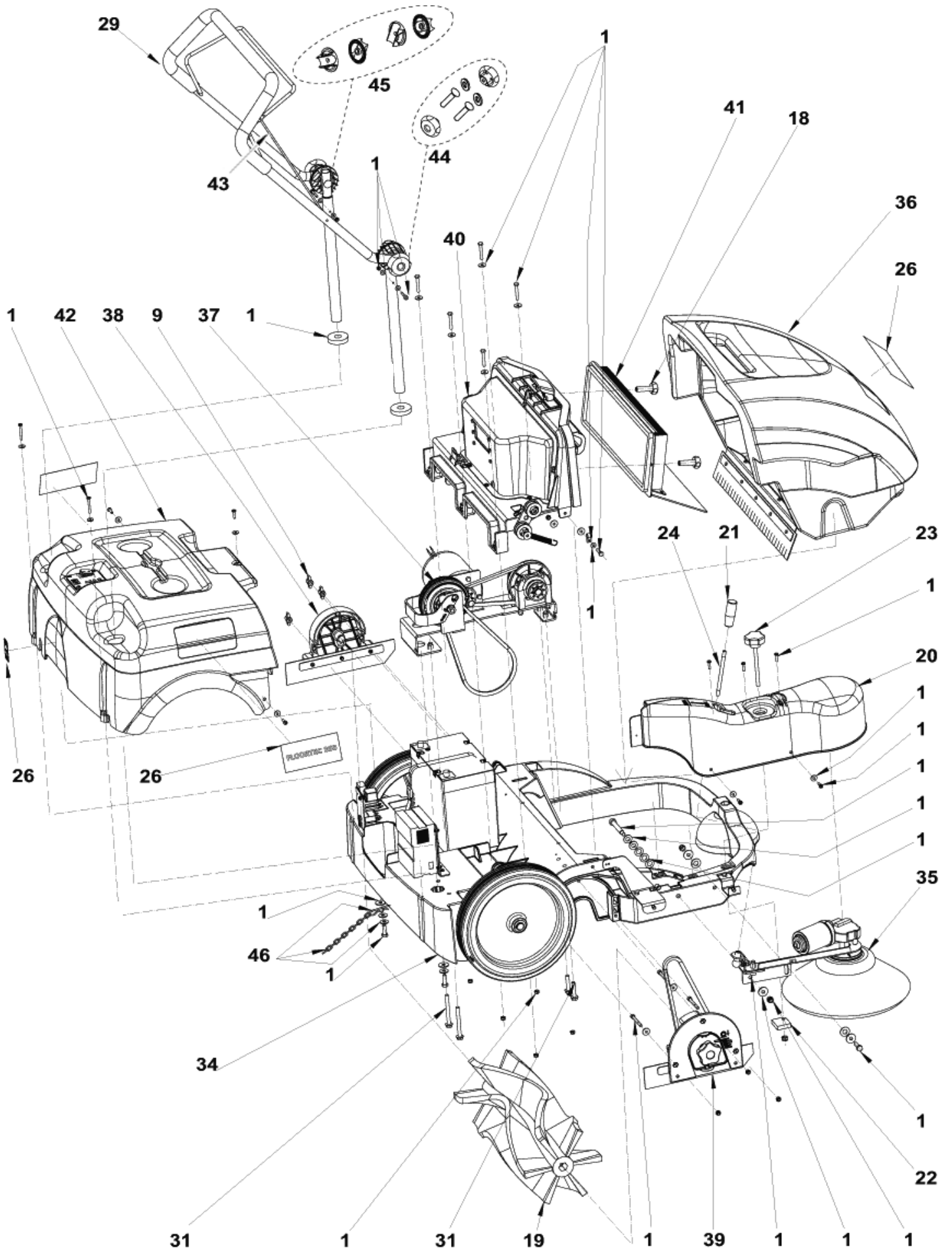
# General view

FLOORTEC 350

04-12-2014

Part List ID  
FLOORTEC35002

3



# General view

## FLOORTEC 350

04-12-2014

Part List ID  
FLOORTEC35002

4

| Pos | Part no.     | Qty | Description                           |                        |
|-----|--------------|-----|---------------------------------------|------------------------|
| 0   | 1463171000   | 1   | CARPET KIT                            | ACCESSORY              |
| 1   | 1463858000   | 1   | GENERAL HARDWARE KIT                  |                        |
| 9   | 145 0461 000 | 3   | NUT WING M6                           |                        |
| 18  | 146 2991 000 | 2   | HANDWHEEL D.30 M6                     |                        |
| 19  | 146 3015 000 | 1   | BROOM MAIN 200X500 CHEVRON 6R PPL 0.3 | ACCESSORY              |
| 19  | 146 3016 000 | 1   | BROOM MAIN 180X500 CHEVRON 6R NYLON   | ACCESSORY              |
| 19  | 1463174000   | 1   | BROOM MAIN 200X500 CHEVRON 6R PPL 0.7 |                        |
| 20  | 146 3034 000 | 1   | CRANKCASE.SIDE BROOM                  |                        |
| 21  | 146 3037 000 | 1   | HANDLE LEVER                          |                        |
| 22  | 146 3038 000 | 1   | ADJUSTER BLOCK F. BROOM               |                        |
| 23  | 146 3039 000 | 1   | KNOB M8X110                           |                        |
| 24  | 146 3040 000 | 1   | LEVER SIDE BROOM                      |                        |
| 26  | 1463935000   | 1   | DECALS FLOORTEC 350 ALTO KIT          | ALTO Brand             |
| 26  | 1463937000   | 1   | DECALS FLOORTEC 350 KIT               | Nilfisk-ALTO Brand     |
| 29  | 146 3067 000 | 1   | HANDLE BAR WITH LEVER                 |                        |
| 31  | 1463868000   | 1   | HARDWARE TRANSMISSION SYST KIT        |                        |
| 34  |              | 1   | USE LINK                              | CHASSIS SYSTEM         |
| 35  |              | 1   | USE LINK                              | SIDE BROOM ASSEMBLY    |
| 36  |              | 1   | USE LINK                              | HOPPER SYSTEM          |
| 37  |              | 1   | USE LINK                              | TRANSMISSION SYSTEM    |
| 38  |              | 1   | USE LINK                              | LEFT HATCH ASSEMBLY    |
| 39  |              | 1   | USE LINK                              | RIGHT HATCH ASSEMBLY   |
| 40  |              | 1   | USE LINK                              | DUST CONTROL SYSTEM    |
| 41  |              | 1   | USE LINK                              | FILTER ASSEMBLY        |
| 42  |              | 1   | USE LINK                              | CONTROL PANEL ASSEMBLY |
| 43  | 146 3119 000 | 1   | CABLE                                 |                        |
| 44  | 1463859000   | 1   | HANDLE FIXING KIT                     |                        |
| 45  | 909 5099 000 | 1   | RATCHET HANDLE ADJUST.KIT             |                        |
| 46  | 1463260000   | 1   | CHAIN GROUND KIT                      | ACCESSORY              |

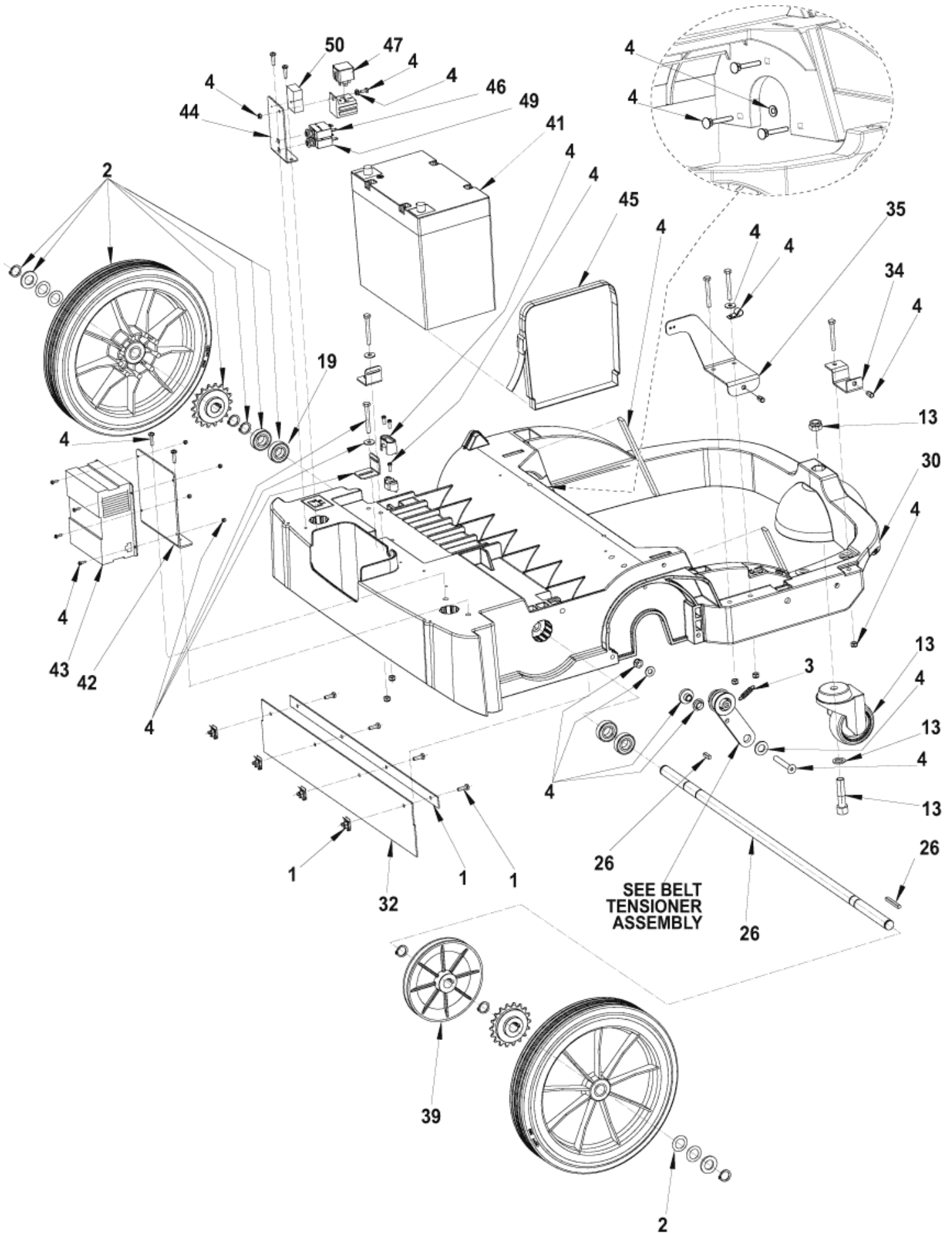
# Chassis system

FLOORTEC 350

04-12-2014

Part List ID  
FLOORTEC35004

5



# Chassis system

## FLOORTEC 350

04-12-2014

Part List ID  
FLOORTEC35004

6

| Pos | Part no.     | Qty | Description   |
|-----|--------------|-----|---|
| 0   | 145 9788 000 | 1   | FUSE BLADE 7.5A   |
| 0   | 146 3052 000 | 1   | HARNESS MACHINE   |
| 0   | 1463167000   | 1   | SKIRTS NO MARKING KIT ACCESSORY                             |
| 0   | 1463201000   | 1   | BATTERY CLAMPS POS.-NEG.KIT                                 |
| 0   | 1463255000   | 1   | SKIRT NEOP.SIDE BROOM KIT STARTING FROM SERIAL NO.072014268 |
| 0   | 909 5633 000 | 1   | CABLE EXTENSION EU PLUG L.1000                              |
| 0   | 909 5676 000 | 1   | CABLE EXTENSION UK PLUG L.1000                              |
| 0   | 9096914000   | 1   | CABLE EXTENSION US PLUG L.1500                              |
| 1   | 146 3124 000 | 1   | PLATES SKIRTS FIXING KIT                                    |
| 2   | 1463976000   | 2   | WHEEL BLUE KIT  |
| 3   | 145 8925 000 | 1   | SPRING  |
| 4   | 1463861000   | 1   | HARDWARE CHASSIS SYSTEM KIT                                 |
| 13  | 1463862000   | 1   | WHEEL CASTOR KIT  |
| 19  | 145 8415 000 | 4   | BEARING BALL 6003 2RS                                       |
| 26  | 1463863000   | 1   | SHAFT WHEELS KIT  |
| 30  | 146 2978 000 | 1   | CHASSIS   |
| 32  | 1463166000   | 1   | SKIRTS KIT  |
| 34  | 146 2983 000 | 1   | BRACKET CARTER FIXING                                       |
| 35  | 146 2984 000 | 1   | BRACKET CARTER FIXING                                       |
| 39  | 146 2998 000 | 1   | PULLEY D.140  |
| 41  | 1464483000   | 1   | BATTERY 12V 49AH AGM MONOBLOC ACCESSORY - TSB IT 2010-058   |
| 41  | 1464853000   | 1   | BATTERY DISCOVER 12V 84Ah ACCESSORY - TSB IT 2010-058       |
| 42  | 146 3050 000 | 1   | BRACKET BAT.CHARGER FIX                                     |
| 43  | 146 3051 000 | 1   | CHARGER BATT. ON BOARD 12V 6A 100-230V                      |
| 44  | 146 3053 000 | 1   | SUPPORT ELECTRONIC COMP.                                    |
| 45  | 146 3054 000 | 1   | BELT BATTERY FIXING   |
| 46  | 146 3090 000 | 1   | CIRCUIT BREAKER 5A  |
| 47  | 146 3113 000 | 1   | RELAIS 12V 70 A TYCO  |
| 49  | 909 5706 000 | 1   | BREAKER CIRCUIT 30A   |
| 50  | 909 6341 000 | 1   | HOLDER FUSE   |

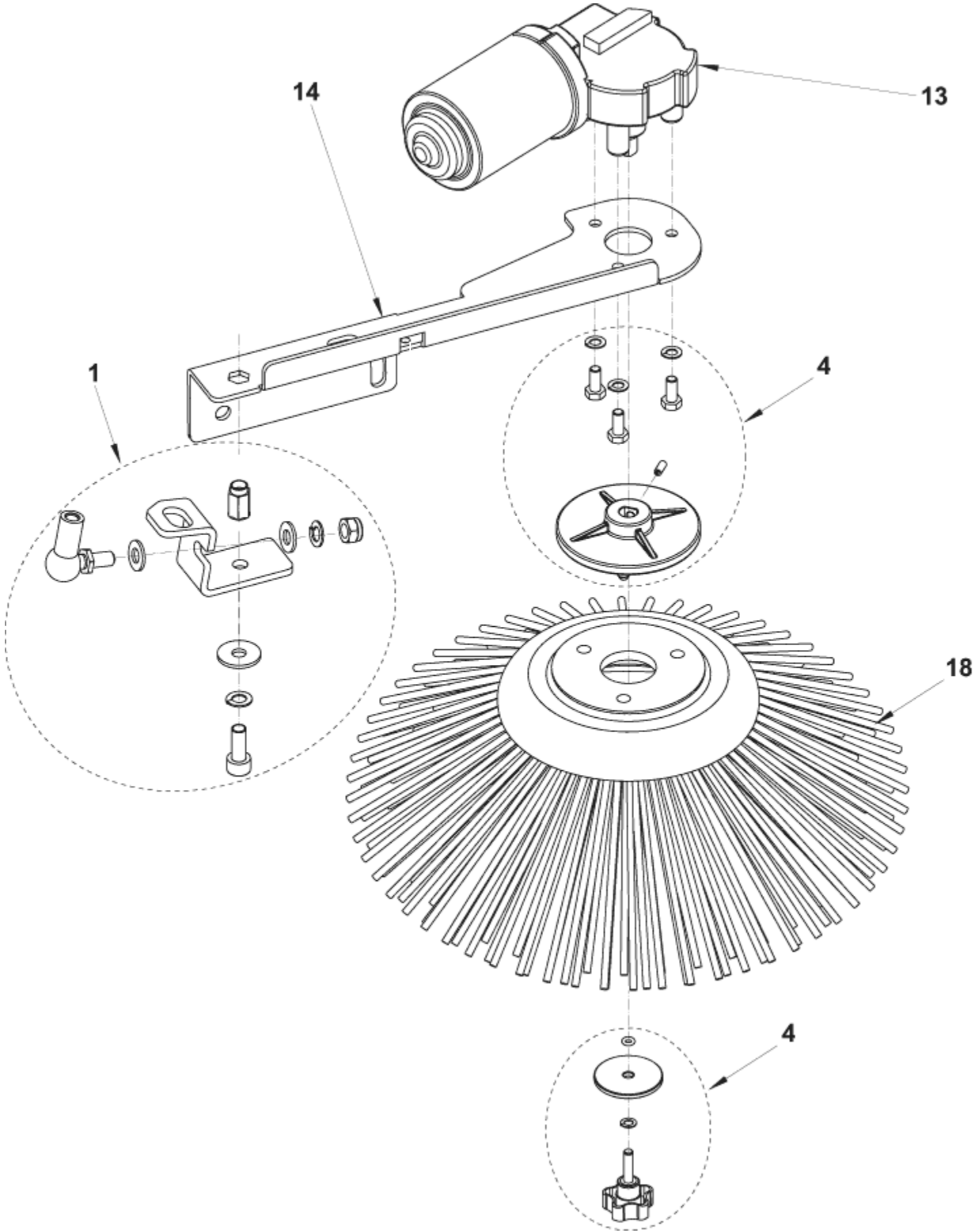
# Side broom assembly

FLOORTEC 350

04-12-2014

Part List ID  
FLOORTEC35006

7



# Side broom assembly

FLOORTEC 350

04-12-2014

Part List ID  
FLOORTEC35006

8

| Pos | Part no.     | Qty | Description                           |
|-----|--------------|-----|---------------------------------------|
| 1   | 1463864000   | 1   | HARDWARE SIDE BROOM KIT               |
| 4   | 1463865000   | 1   | HUB SIDE BROOM FIXING KIT             |
| 13  | 1465999000   | 1   | REDUCTION GEARMOTOR 40W 12V PKD       |
| 14  | 146 3029 000 | 1   | SUPPORT SIDE BROOM                    |
| 18  | 146 3035 000 | 1   | BROOM SIDE 109X315 PPL 0.5            |
| 18  | 146 3036 000 | 1   | BROOM SIDE 145X300 NYLON<br>ACCESSORY |



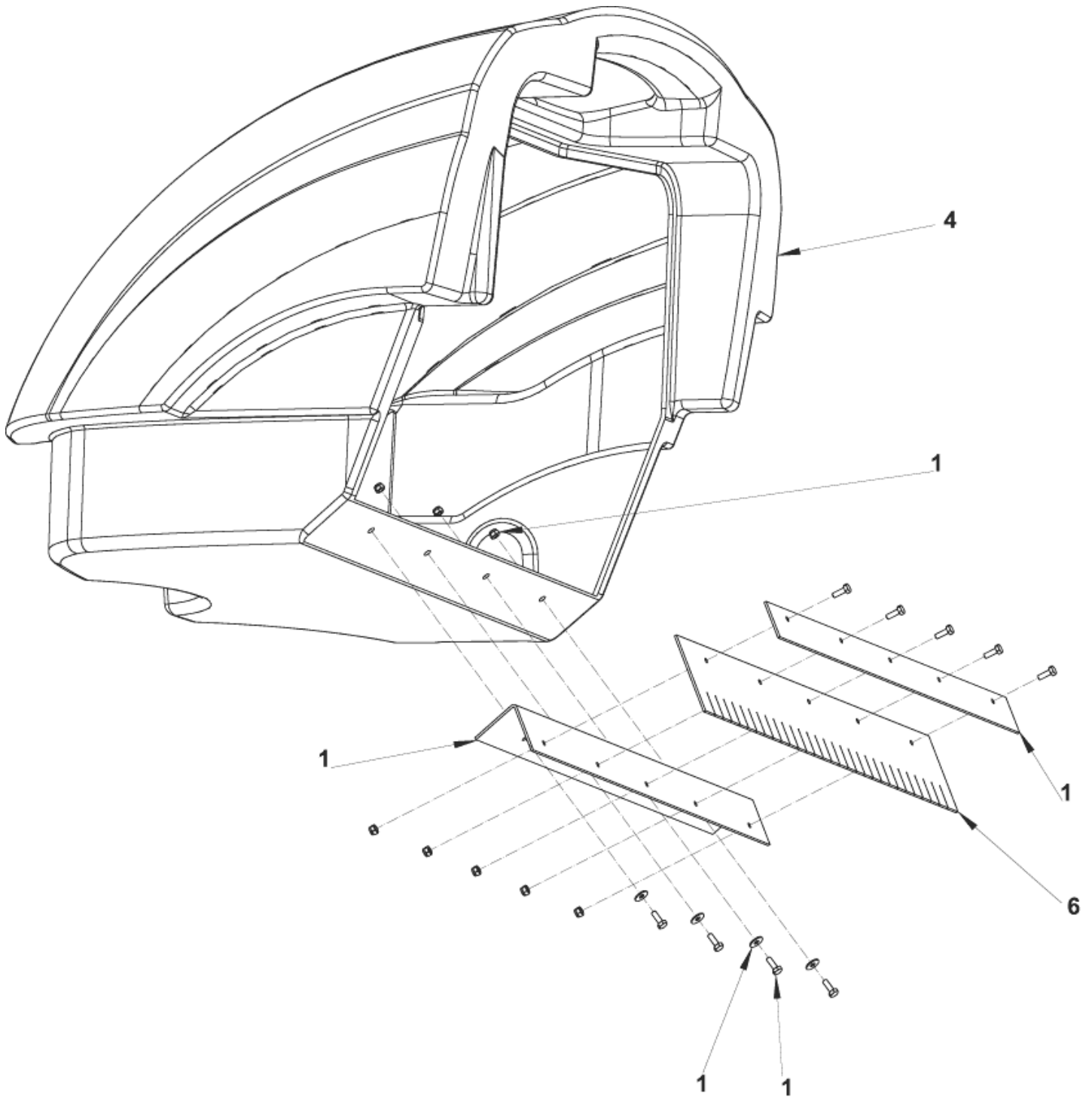
# Hopper system

FLOORTEC 350

04-12-2014

Part List ID  
FLOORTEC35008

9



# Hopper system

FLOORTEC 350

04-12-2014

Part List ID  
FLOORTEC35008

10

| Pos | Part no.     | Qty | Description                |
|-----|--------------|-----|----------------------------|
| 1   | 146 3124 000 | 1   | PLATES SKIRTS FIXING KIT   |
| 4   | 146 3043 000 | 1   | CONTAINER WASTE ROTOMOLDED |
| 6   | 146 3047 000 | 1   | SKIRT NON MARK.DIRT CONT.  |
| 6   | 1463166000   | 1   | SKIRTS KIT                 |

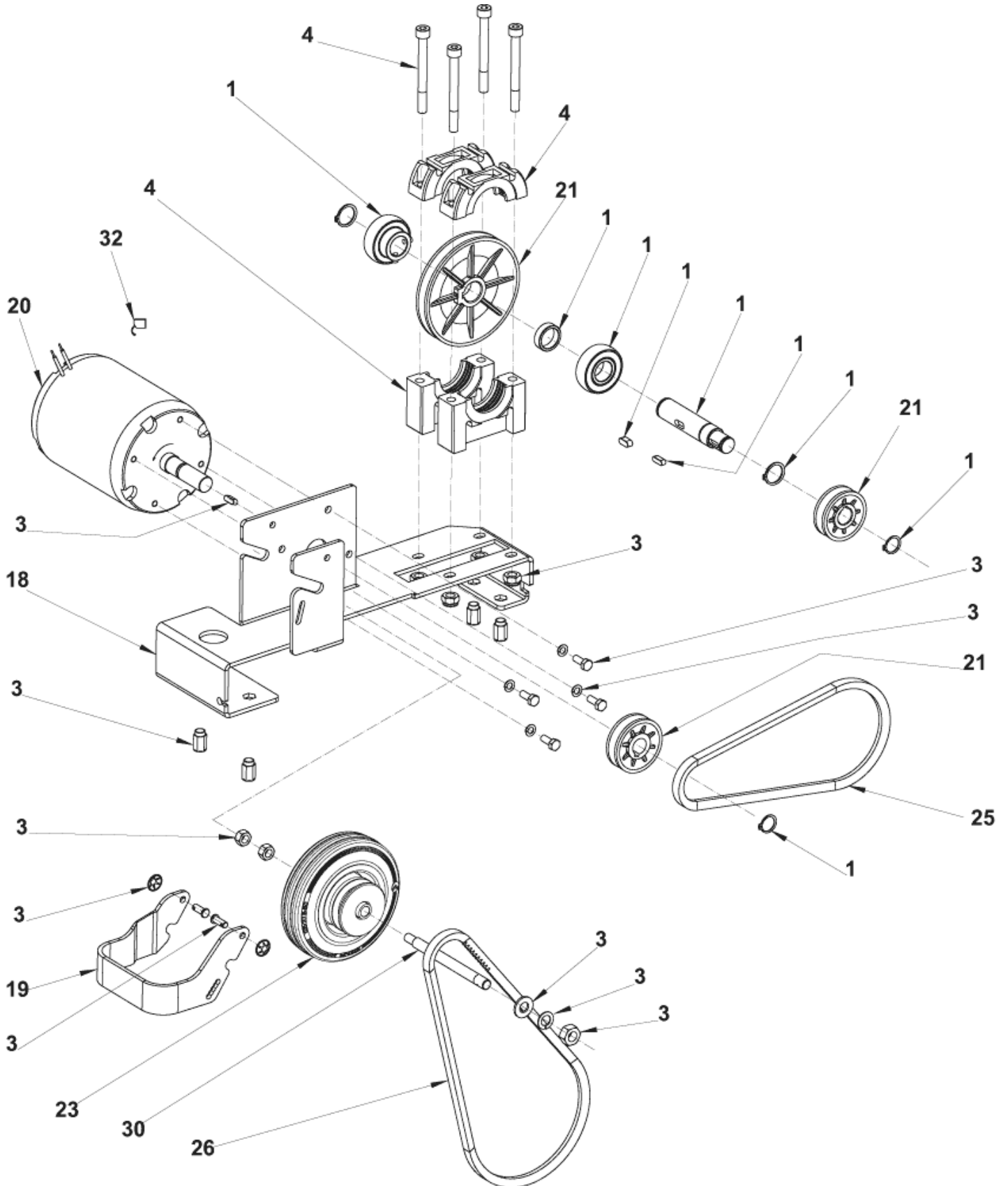
# Transmission

FLOORTEC 350

04-12-2014

Part List ID  
FLOORTEC35010

11



# Transmission

## FLOORTEC 350

04-12-2014

Part List ID  
FLOORTEC35010

12

| Pos | Part no.     | Qty | Description                    |
|-----|--------------|-----|--------------------------------|
| 1   | 1463867000   | 1   | SHAFT PULLEYS KIT              |
| 3   | 1463868000   | 1   | HARDWARE TRANSMISSION SYST KIT |
| 4   | 1463866000   | 1   | BEARING SUPPORTS KIT           |
| 18  | 146 3000 000 | 1   | PLATE MOTOR SUPPORT            |
| 19  | 146 3002 000 | 1   | BRACKET CLUTCH WHEEL           |
| 20  | 1465998000   | 1   | MOTOR ELECTRIC 200W 12V PKD    |
| 21  | 1463869000   | 1   | PULLEYS KIT                    |
| 23  | 146 3006 000 | 1   | WHEEL DRIVE CLUTCH             |
| 25  | 1463305000   | 1   | BELT SPZX 587                  |
| 26  | 1464045000   | 1   | BELT KIT                       |
| 30  | 146 3013 000 | 1   | SHAFT DRIVE CLUTCH WHEEL       |
| 32  | 909 6893 000 | 1   | CARBON BRUSHES KIT 2+2 PCS     |

# Right and left hatch assemblies

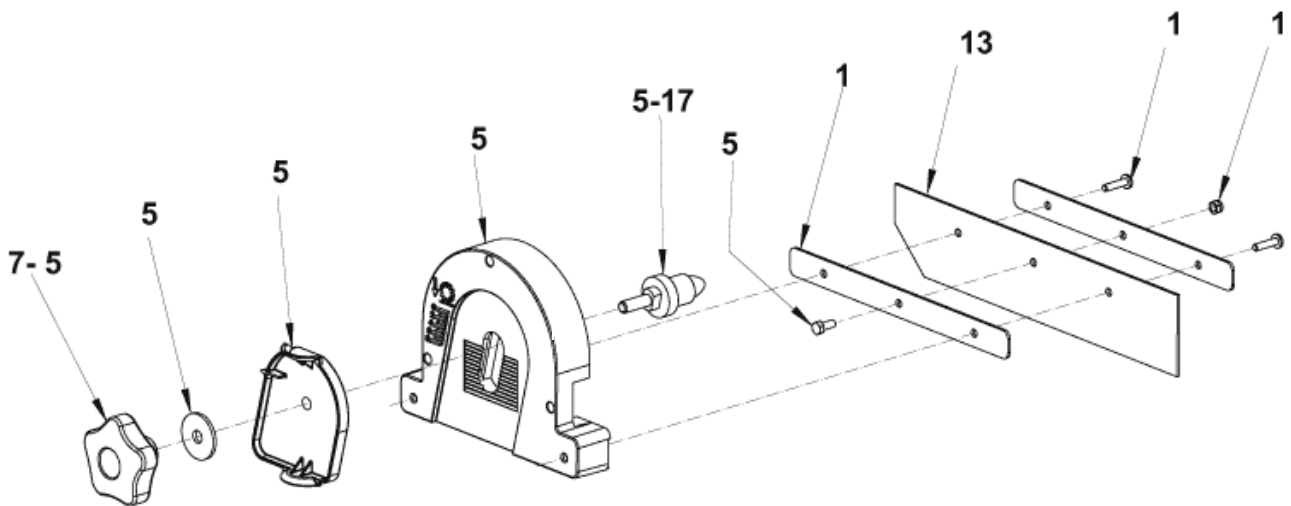
FLOORTEC 350

04-12-2014

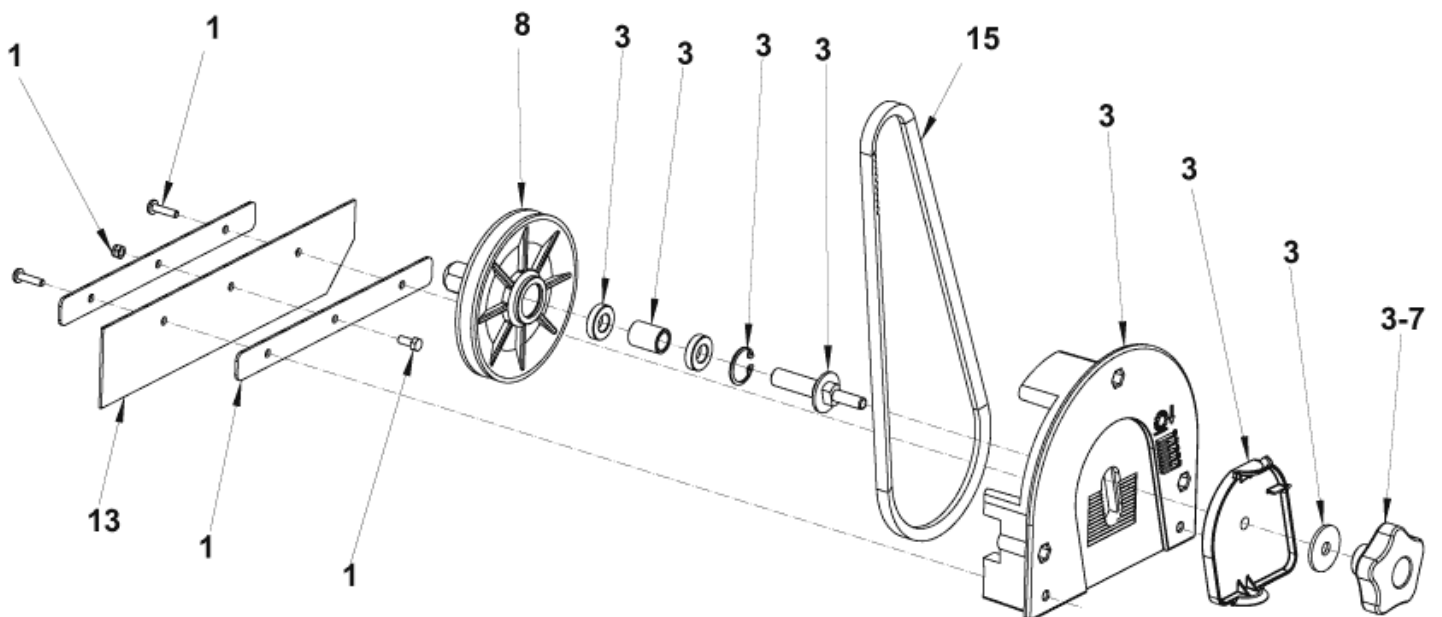
Part List ID  
FLOORTEC35012

13

## ASSIEME PORTELLO SINISTRO - LEFT HATCH ASSEMBLY



## ASSIEME PORTELLO DESTRO - RIGHT HATCH ASSEMBLY



# Right and left hatch assemblies

FLOORTEC 350

04-12-2014

Part List ID  
FLOORTEC35012

14

| Pos | Part no.     | Qty | Description              |
|-----|--------------|-----|--------------------------|
| 1   | 146 3124 000 | 1   | PLATES SKIRTS FIXING KIT |
| 3   | 1463870000   | 1   | HATCH RIGHT FIXING KIT   |
| 5   | 1463871000   | 1   | HATCH LEFT FIXING KIT    |
| 7   | 146 1852 000 | 2   | KNOB M8                  |
| 8   | 146 3014 000 | 1   | PULLEY D. 112            |
| 13  | 1463166000   | 1   | SKIRTS KIT               |
| 15  | 146 3027 000 | 1   | BELT SPZX 787            |
| 17  | 146 3020 000 | 1   | PIN MAIN BROOM           |

# Belt tensioner assemblies

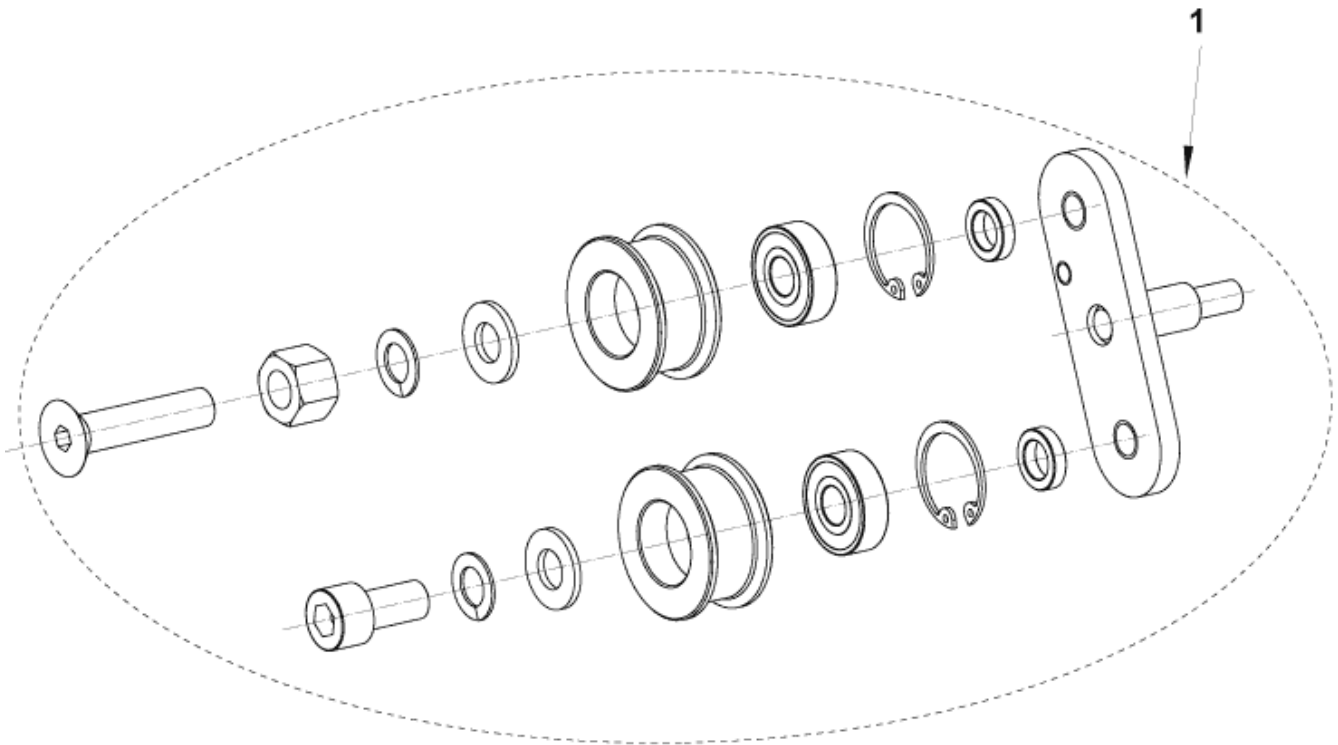
FLOORTEC 350

04-12-2014

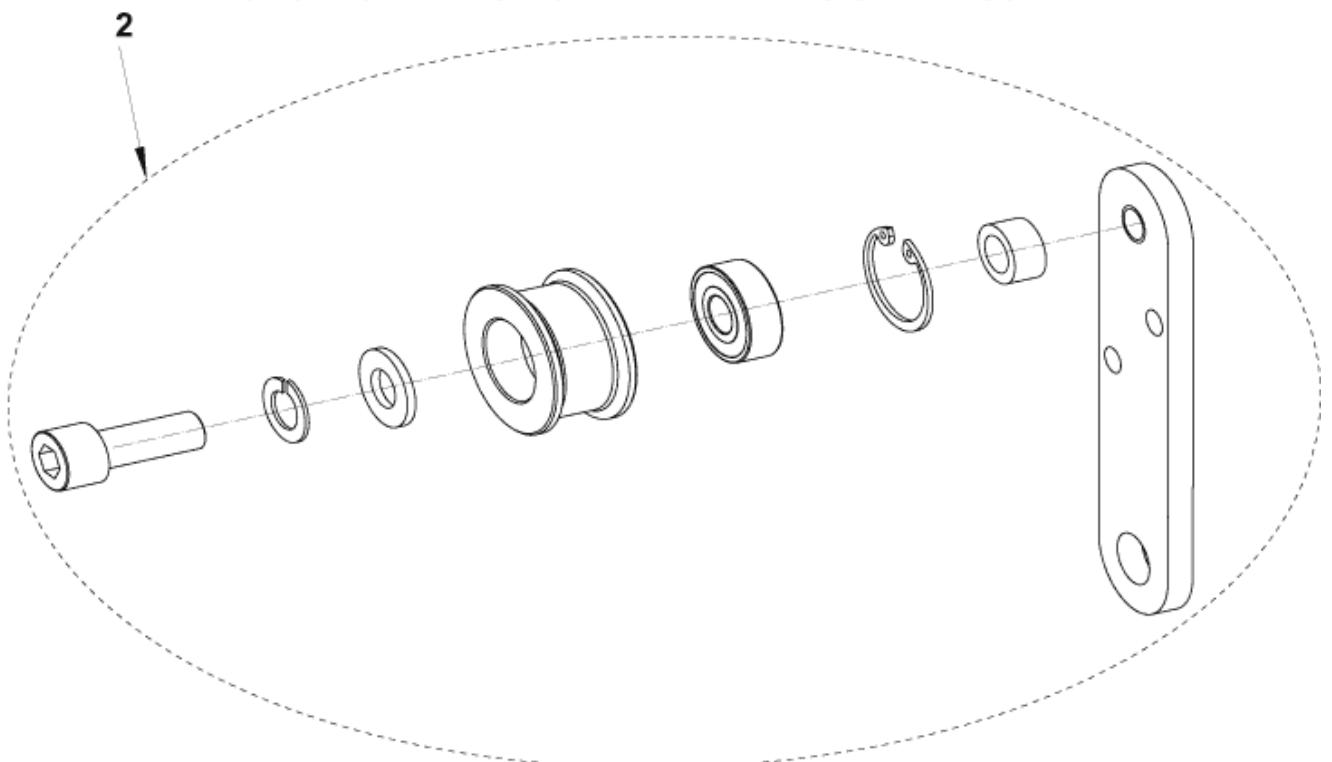
Part List ID  
FLOORTEC35014

15

## GRUPPO TENDICINGHIA DOPPIO - DOUBLE BELT TENSIONER ASSEMBLY



## GRUPPO TENDICINGHIA - BELT TENSIONER ASSEMBLY



# Belt tensioner assemblies

FLOORTEC 350

04-12-2014

Part List ID  
FLOORTEC35014

16

| Pos | Part no.   | Qty | Description               |
|-----|------------|-----|---------------------------|
| 1   | 1463872000 | 1   | BELT TENSIONER DOUBLE KIT |
| 2   | 1463873000 | 1   | BELT TENSIONER KIT        |



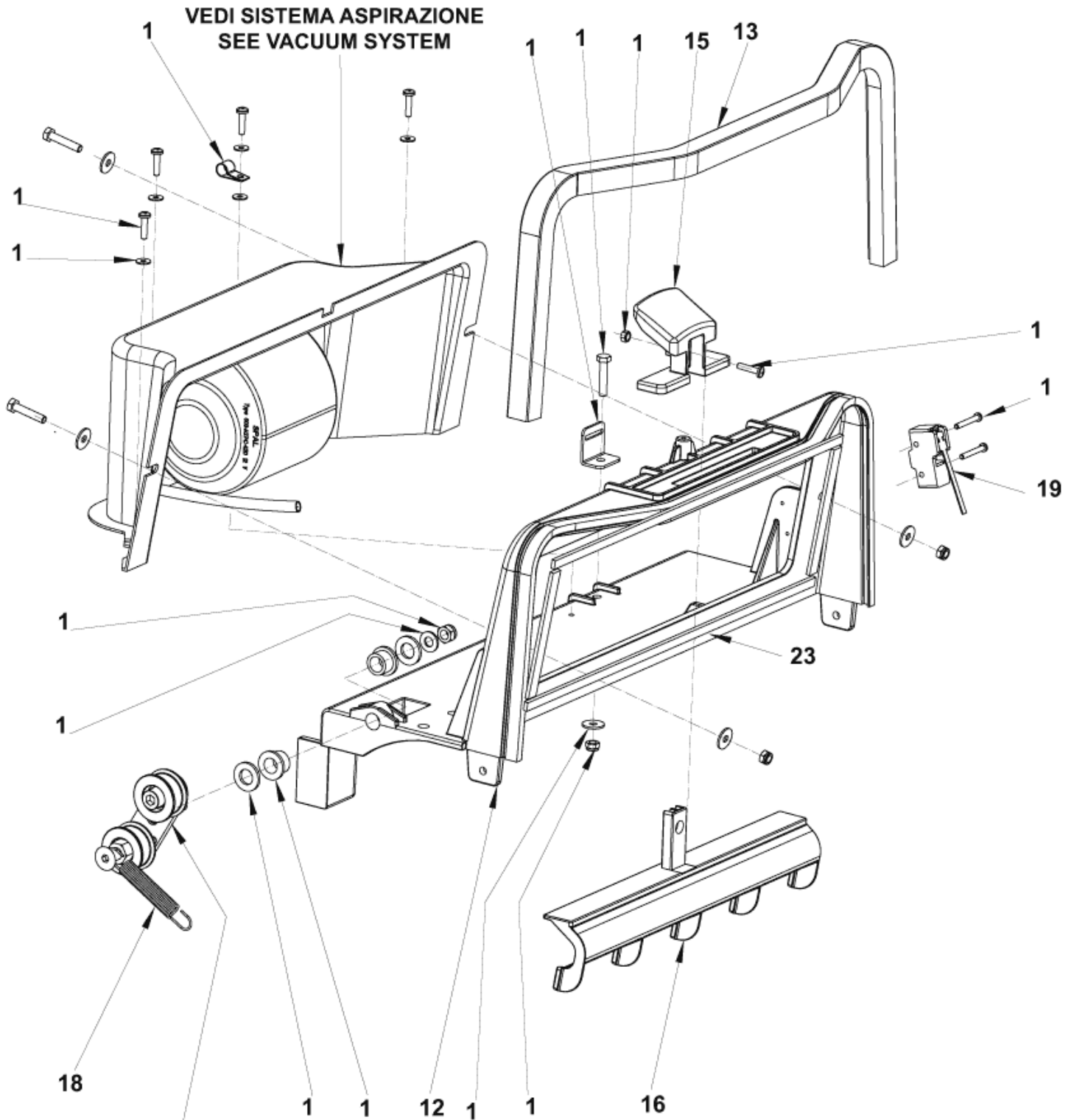
# Dust control system

FLOORTEC 350

04-12-2014

Part List ID  
FLOORTEC35016

17



**VEDI GRUPPO TENDICINGHIA DOPPIO  
SEE DOUBLE BELT TENSIONER ASSEMBLY**

# Dust control system

FLOORTEC 350

04-12-2014

Part List ID  
FLOOR I EC35016

18

| Pos | Part no.     | Qty | Description                    |
|-----|--------------|-----|--------------------------------|
| 1   | 1463874000   | 1   | HARDWARE DUST CONTROL SYST.KIT |
| 12  | 146 2988 000 | 1   | SUPPORT FILTER                 |
| 13  | 1463747000   | 1   | GASKET EXTRUDED L.845MM        |
| 15  | 146 2992 000 | 1   | HANDLE FILTER SHAKER           |
| 16  | 146 2993 000 | 1   | FILTER SHAKER                  |
| 18  | 145 0274 000 | 1   | SPRING                         |
| 19  | 145 9679 000 | 1   | MICROSWITCH 10A 250V           |
| 23  | 1463176000   | 1   | GASKET ADHESIVE FOR FILTER KIT |

# Vacuum system and filter assembly

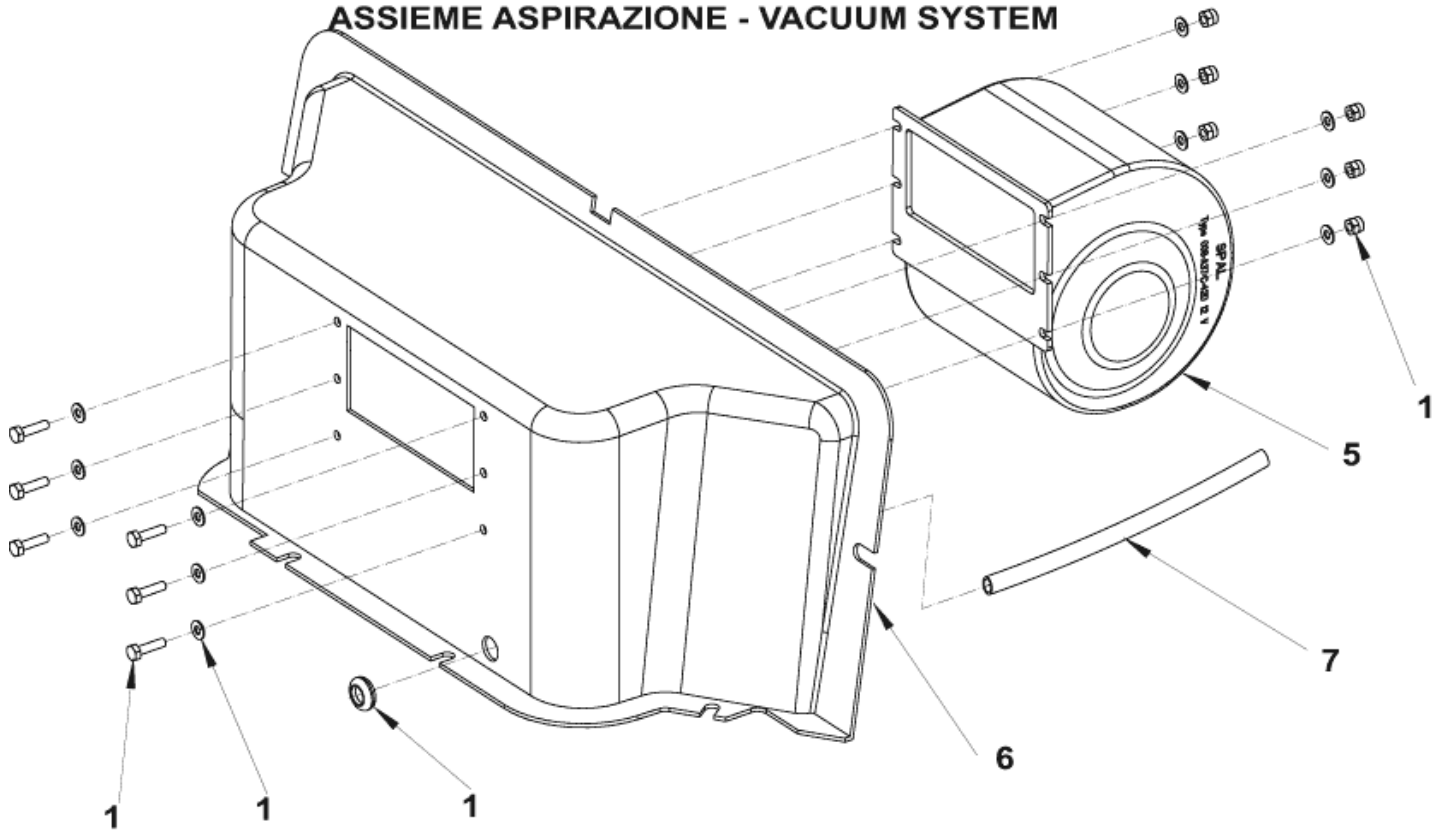
FLOORTEC 350

04-12-2014

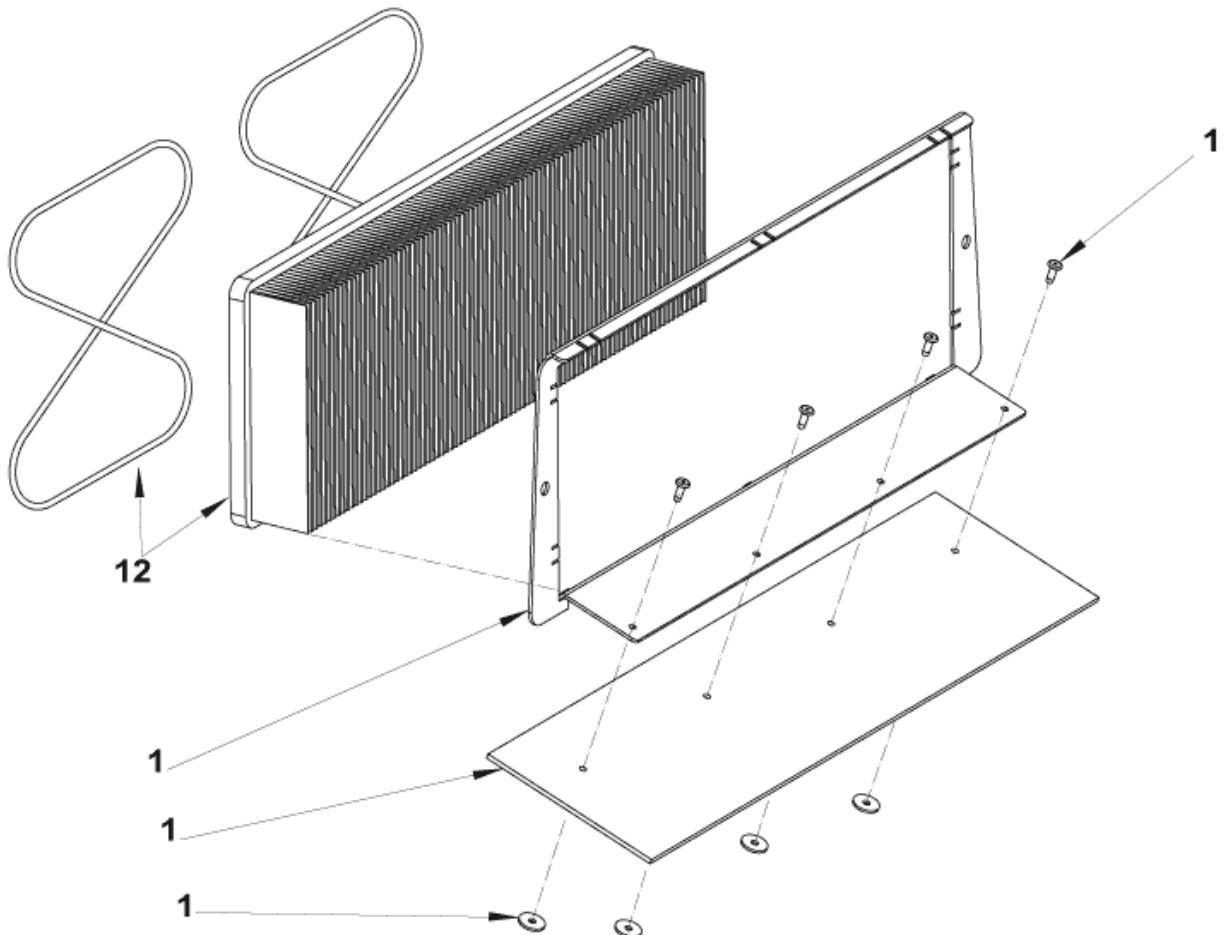
Part List ID  
FLOORTEC35018

19

## ASSIEME ASPIRAZIONE - VACUUM SYSTEM



## GRUPPO FILTRO - FILTER ASSEMBLY



# Vacuum system and filter assembly

FLOORTEC 350

04-12-2014

Part List ID  
FLOORTEC35018

20

| Pos | Part no.     | Qty | Description                |
|-----|--------------|-----|----------------------------|
| 1   | 1463875000   | 1   | HARDWARE FILTER FIXING KIT |
| 5   | 146 1804 000 | 1   | BLOWER CENTRIFUGAL 12V     |
| 6   | 146 3055 000 | 1   | CONVEYOR                   |
| 7   | 146 3125 000 | 1   | SHEATH D.6XD.7 L 200       |
| 12  | 1463161000   | 1   | FILTER POLYESTER KIT       |

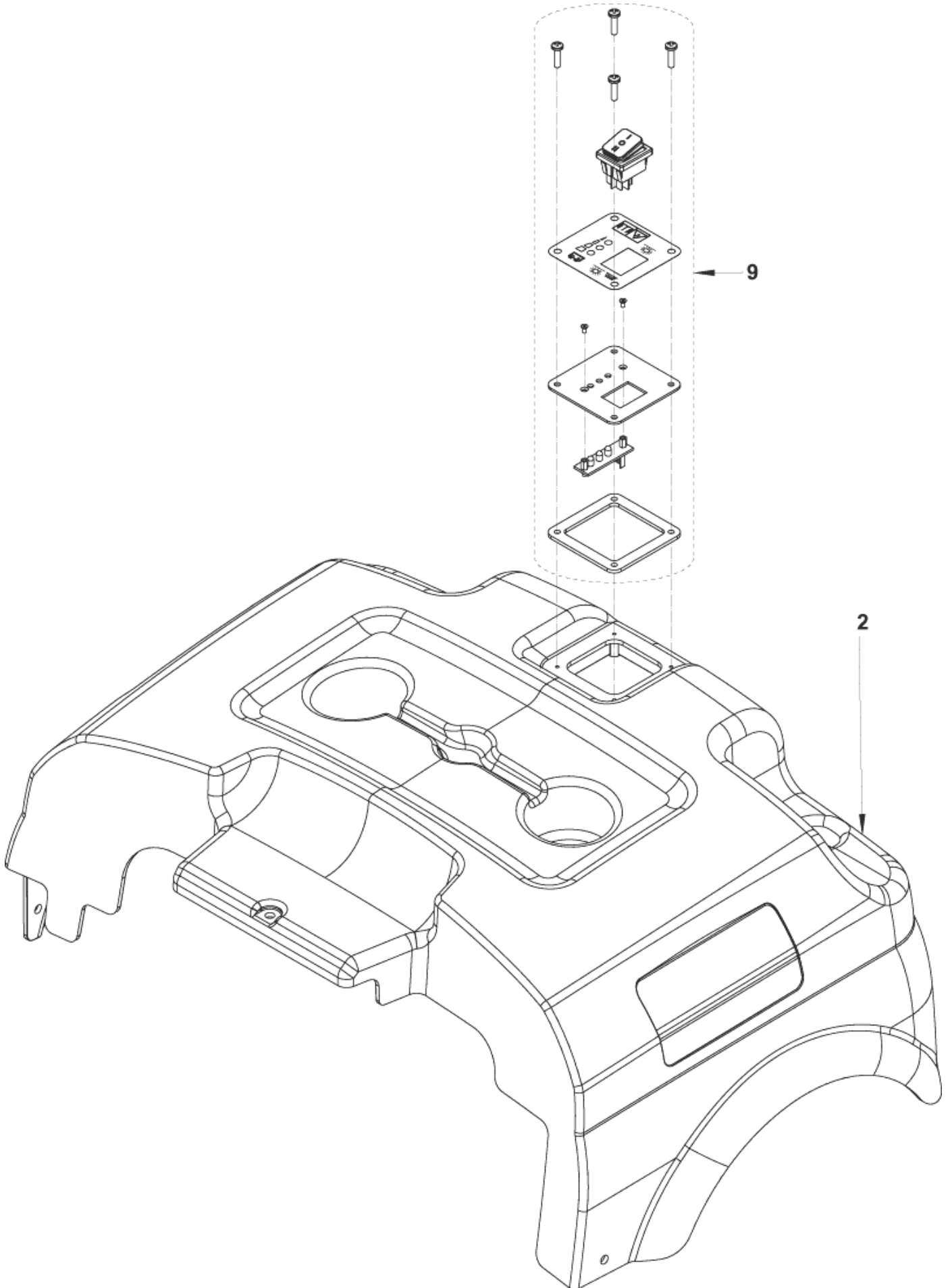
# Control panel system

FLOORTEC 350

04-12-2014

Part List ID  
FLOORTEC35020

21



# Control panel system

FLOORTEC 350

04-12-2014

Part List ID  
FLOORTEC35020

22

| Pos | Part no.     | Qty | Description               |
|-----|--------------|-----|---------------------------|
| 2   | 146 3070 000 | 1   | COVER REAR BLACK          |
| 9   | 1463183000   | 1   | PANEL CONTROL W/DECAL KIT |

# Wiring diagram

FLOORTEC 350

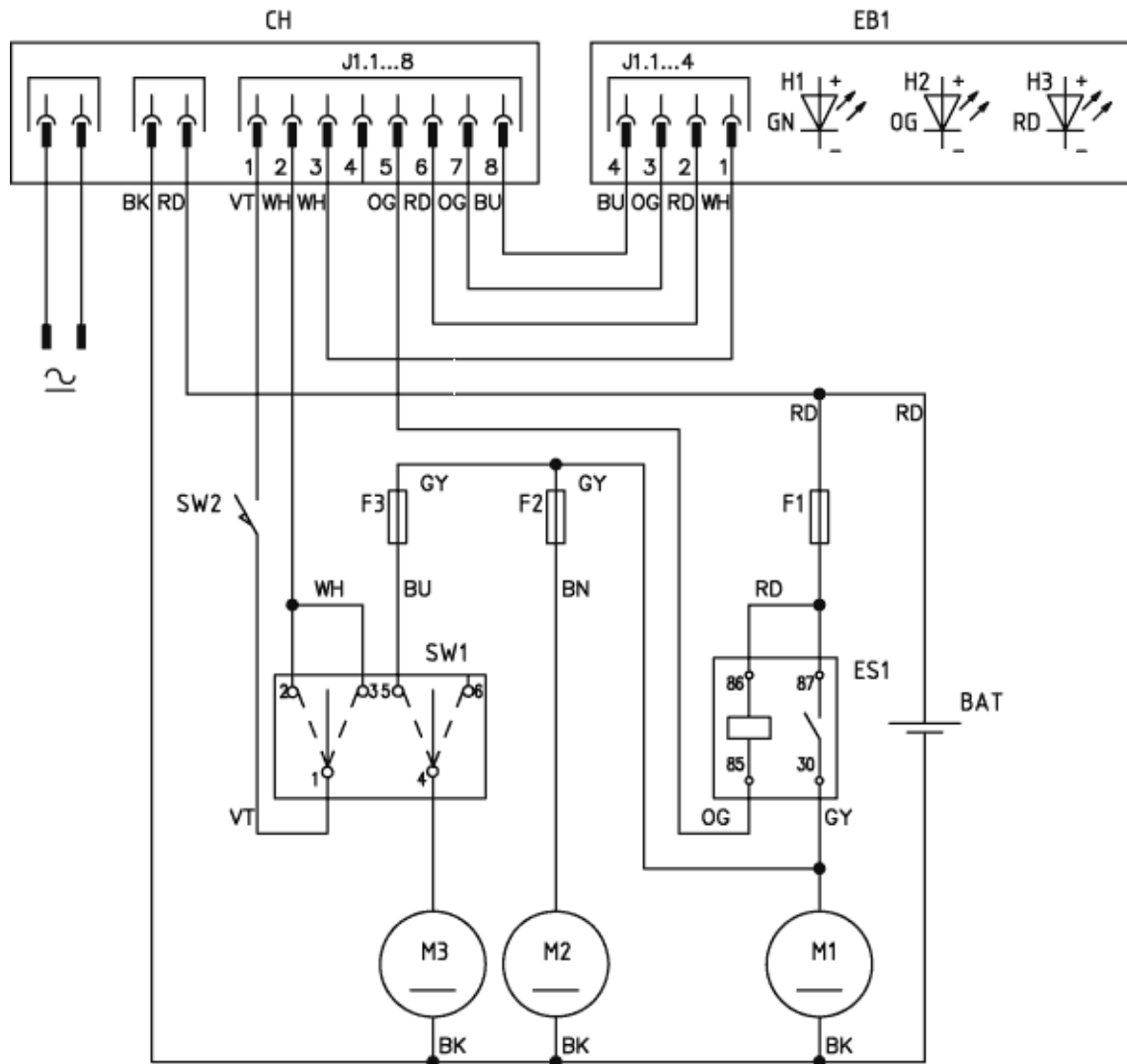
04-12-2014

Part List ID  
FLOORTEC35022

23

## WIRING DIAGRAM

146 3089 000 - Rev.B



| COMPONENTS |                                     |
|------------|-------------------------------------|
| BAT        | 12V Battery                         |
| CH1        | Batt. charger / Function controller |
| EB1        | LED board                           |
| ES1        | Relais                              |
| F1         | Main circuit breaker                |
| F2         | Fan fuse                            |
| F3         | Side broom circuit breaker          |
| H1         | Full charge led                     |
| H2         | Half charge led                     |
| H3         | Empty charge led                    |
| M1         | Main motor                          |
| M2         | Fan                                 |
| M3         | Side broom motor                    |
| SW1        | Switch                              |
| SW2        | Hopper microswitch                  |

# Wiring diagram

FLOORTEC 350

04-12-2014

Part List ID  
FLOORTEC350Z2

24



# Recommended spare parts and accessories

FLOORTEC 350

04-12-2014

Part List ID  
FLOORTEC35024

25

No Drawing For Part List

# Recommended spare parts and accessories

## FLOORTEC 350

04-12-2014

Part List ID  
FLOORTEC35024

26

| Pos | Part no.     | Qty | Description                            |                           |
|-----|--------------|-----|--|---------------------------|
| 1   | 1463166000   | 1   | SKIRTS KIT                             | WEAR PARTS                |
| 2   | 146 3035 000 | 1   | BROOM SIDE 109X315 PPL 0.5             | WEAR PARTS                |
| 3   | 1463174000   | 1   | BROOM MAIN 200X500 CHEVRON 6R PPL 0.7  | WEAR PARTS                |
| 4   | 146 3027 000 | 1   | BELT SPZX 787                          | WEAR PARTS                |
| 5   | 1463161000   | 1   | FILTER POLYESTER KIT                   | ORDINARY MAINTENANCE      |
| 6   | 1464045000   | 1   | BELT KIT                               | ORDINARY MAINTENANCE      |
| 7   | 1463305000   | 1   | BELT SPZX 587                          | ORDINARY MAINTENANCE      |
| 8   | 1463976000   | 1   | WHEEL BLUE KIT                         | EXTRAORDINARY MAINTENANCE |
| 9   | 146 1804 000 | 1   | BLOWER CENTRIFUGAL 12V                 | EXTRAORDINARY MAINTENANCE |
| 10  | 909 5706 000 | 1   | BREAKER CIRCUIT 30A                    | EXTRAORDINARY MAINTENANCE |
| 11  | 146 3051 000 | 1   | CHARGER BATT. ON BOARD 12V 6A 100-230V | EXTRAORDINARY MAINTENANCE |
| 12  | 1464483000   | 1   | BATTERY 12V 49AH AGM MONOBLOC          | EXTRAORDINARY MAINTENANCE |
| 13  | 146 3113 000 | 1   | RELAIS 12V 70 A TYCO                   | EXTRAORDINARY MAINTENANCE |
| 14  | 146 3090 000 | 1   | CIRCUIT BREAKER 5A                     | EXTRAORDINARY MAINTENANCE |
| 15  | 1463183000   | 1   | PANEL CONTROL W/DECAL KIT              | EXTRAORDINARY MAINTENANCE |
| 16  | 1465998000   | 1   | MOTOR ELECTRIC 200W 12V PKD            | EXTRAORDINARY MAINTENANCE |
| 17  | 145 9679 000 | 1   | MICROSWITCH 10A 250V                   | EXTRAORDINARY MAINTENANCE |
| 18  | 1465999000   | 1   | REDUCTION GEARMOTOR 40W 12V PKD        | EXTRAORDINARY MAINTENANCE |
| 19  | 1464853000   | 1   | BATTERY DISCOVER 12V 84Ah              | ACCESSORY                 |
| 20  | 146 3016 000 | 1   | BROOM MAIN 180X500 CHEVRON 6R NYLON    | ACCESSORY                 |
| 21  | 146 3015 000 | 1   | BROOM MAIN 200X500 CHEVRON 6R PPL 0.3  | ACCESSORY                 |
| 22  | 146 3036 000 | 1   | BROOM SIDE 145X300 NYLON               | ACCESSORY                 |
| 23  | 1463171000   | 1   | CARPET KIT                             | ACCESSORY                 |
| 24  | 1463167000   | 1   | SKIRTS NO MARKING KIT                  | ACCESSORY                 |
| 25  | 1463255000   | 1   | SKIRT NEOP.SIDE BROOM KIT              | ACCESSORY                 |