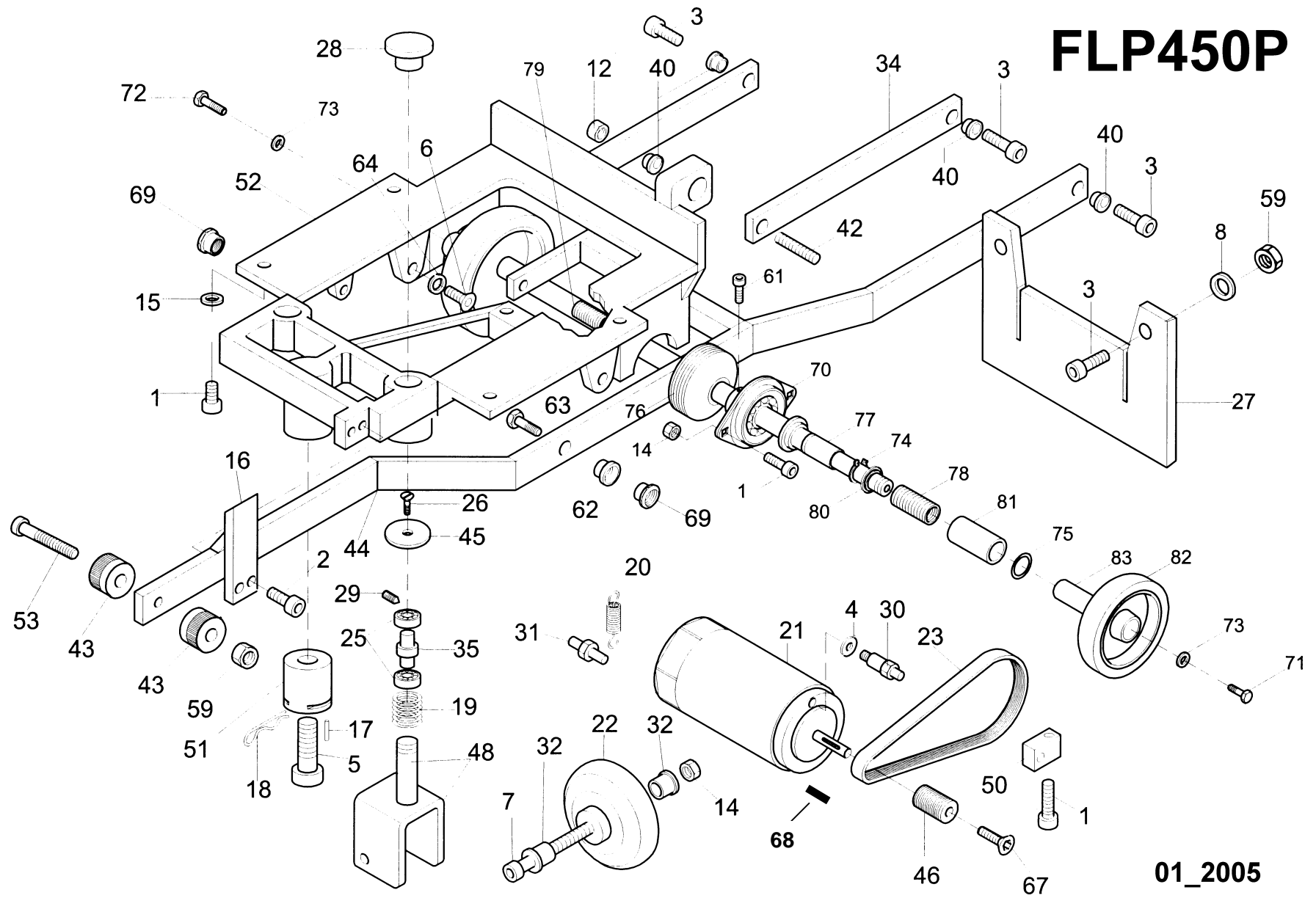


FLP450P



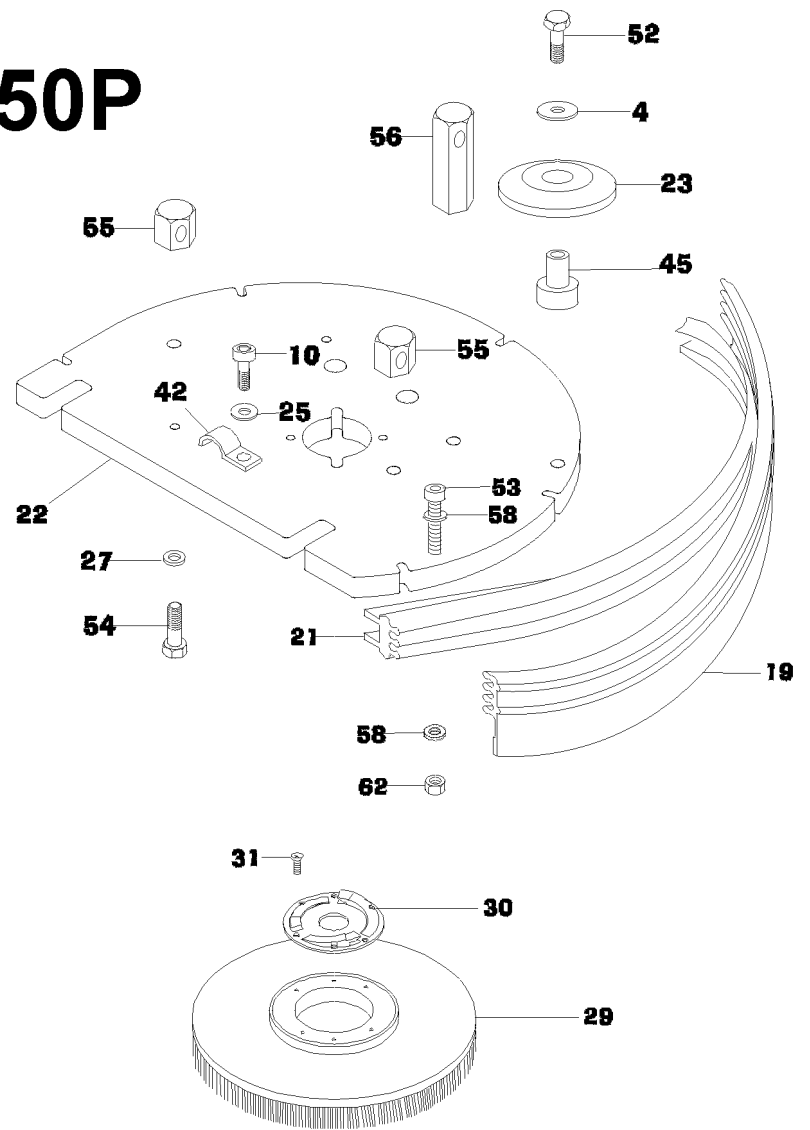
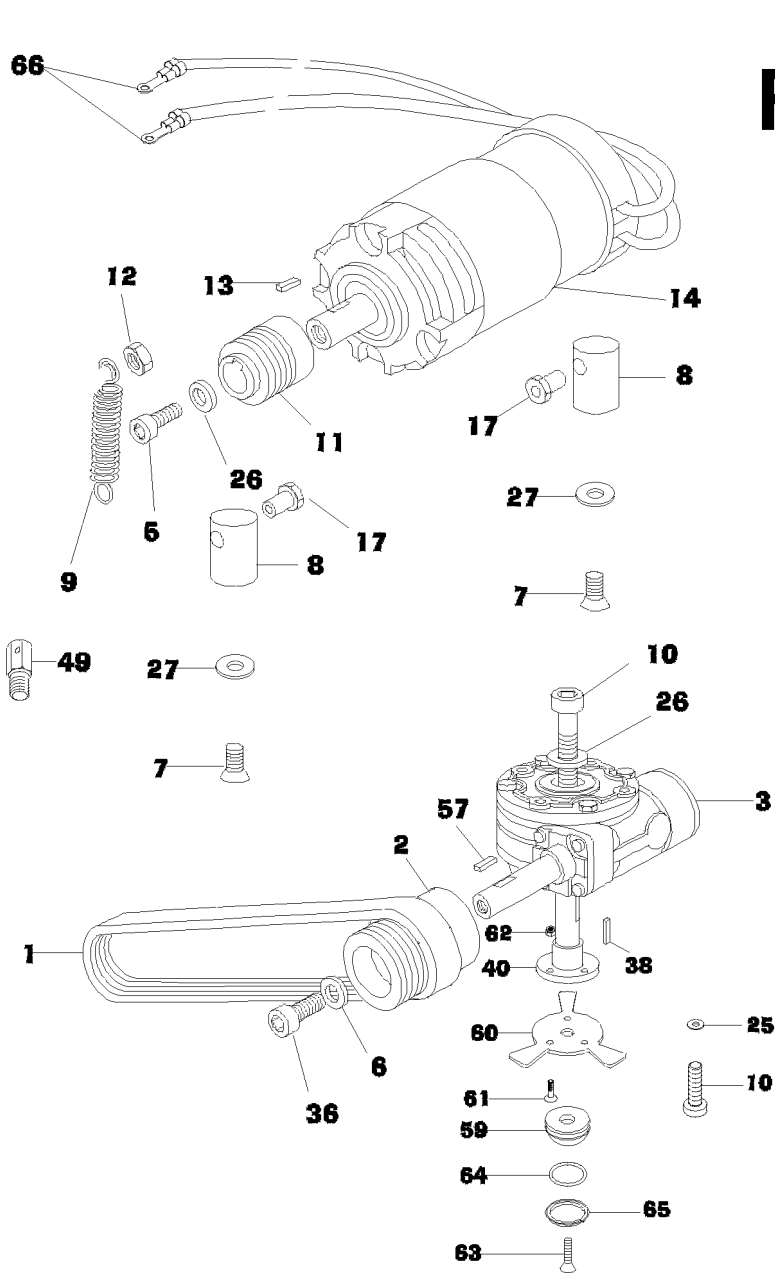
01_2005

Pos.	Code	Omschrijving	Description	Description	Description	Description
01.001	FLP450P_01_001	Schroef TCEI M8x20 Inox	Vis TCEI M8x20 Inox	Screw TCEI M8x20 Stainless steel	Screw TCEI M8x20 Stainless steel	Tornillo M8x20
01.002	FLP450P_01_069	Schroef TCEI M6x20 Inox	Vis TCEI M6x20 Inox	Screw TCEI M6x20 Stainless steel	Screw TCEI M6x20 Stainless steel	Tornillo M6x20 Acero inoxidable
01.003	FLP450P_01_003_1	Schroef TCEI M10x35 Inox	Vis TCEI M10x35 Inox	Screw TCEI M10x35 Stainless steel	Screw TCEI M10x35 Stainless steel	Tornillo TCEI M10x35
01.004	FLP450P_02_020	Bus	Bague	Bushing	Bushing	Casquillo de tracción
01.005	FLP450P_01_005	Schroef TCEI M10x25 Inox	Vis TCEI M10x25 Inox	Screw TCEI M10x25 Stainless steel	Screw TCEI M10x25 Stainless steel	Tornillo M10x25
01.006	FLP450P_01_065	Schroef TCEI M10x50 Inox	Vis TCEI M10x50 Inox	Screw TCEI M10x50 Stainless steel	Screw TCEI M10x50 Stainless steel	Tornillo M10x50 Acero inoxidable
01.007	FLP450P_01_007	Schroef TCEI M8x65 Inox	Vis TCEI M8x65 Inox	Screw TCEI M8x65 Stainless steel	Screw TCEI M8x65 Stainless steel	Tornillo M8x65 Acero inoxidable
01.008	FLP450P_01_060	Rondsel ø6x18 Sp.1,6	Rondelle ø6x18 Sp.1,6	Washer ø6x18 Sp.1,6	Washer ø6x18 Sp.1,6	Arandela 6x18 s=1,6
01.012	FLP450P_01_012	Moer M10, zelfborgend, Inox	Ecrou autobloccant M10, Inox	Nut M10, Selfblocking, Stainless st.	Nut M10, Selfblocking, Stainless st.	Tuerca de torsión dominante M10
01.014	FLP450P_01_014	Moer M8, zelfborgend, Inox	Ecrou autobloccant M8, Inox	Nut M8, Selfblocking, Stainless st.	Nut M8, Selfblocking, Stainless st.	Tuerca de torsión dominante M8
01.015	FLP450P_01_015	Rondsel ø8x24 Sp.2	Rondelle ø8x24 Sp.2	Washer ø8x24 Sp.2	Washer ø8x24 Sp.2	Arandela d=8 D=24
01.016	FLP450P_01_016	Blokeerplaatje borstelhevel	Plaque arrêt levier de brosse	Stop plate, brush lever	Stop plate, brush lever	Placa de tope, palanca de escobilla
01.017	FLP450P_01_017	Spanbus 3x12	Goupille élastique 3x12	Spring type staight pin slotted 3x12	Spring type staight pin slotted 3x12	Pasador ranurado recto tipo muelle 3x12
01.018	FLP450P_01_018	Veersluiting ø2	Epingle ø2	Spring closure ø2	Spring closure ø2	Muelle de cierre
01.019	FLP450P_01_019	Veer ophanging piv. Wiel	Ressort support roue piv.	Spring, wheel support	Spring, wheel support	Muelle, soporte de rueda
01.020	FLP450P_01_020	Veer tractie-motor	Ressort moteur de traction	Spring, traction motor	Spring, traction motor	Muelle, motor de tracción
01.021	FLP450P_01_021	Tractiemotor 200W-24V-750tr/min.	Moteur de traction 200W-24V-750tr	Traction motor 200W-24V-750RPM	Traction motor 200W-24V-750RPM	Motor de tracción 200W-24V-750RPM
01.022	FLP450P_01_022	Pivoterend wiel ø80x25	Roue pivotante ø80x25	Castor wheel ø80x25	Castor wheel ø80x25	Rueda orientable ø80x25
01.023	FLP660P_02_015	Tractieriem PJ432/170	Courroie de traction PJ432/170	Traction belt PJ432/170	Traction belt PJ432/170	Correa PJ 432/170-8
01.025	ER.6003 2 RS	Lager 6003 2RS	Roulement 6003 2RS	Bearing 6003 2RS	Bearing 6003 2RS	Cojinete 6003 2RS
01.026	FLP450P_02_034	Schroef TSPEI M5x25 Inox	Vis TSPEI M5x25 Inox	Screw TSPEI M5x25 Stainless st.	Screw TSPEI M5x25 Stainless st.	Tornillo M5x25
01.027	FLP450P_01_027	Spatrubber, achter	Bavette, arrière	Rear flap	Rear flap	Aleta trasera
01.028	FLP450P_01_028	Stop met schroefdraad	Bouchon fileté	Threaded stop	Threaded stop	Tope roscado
01.029	FLP450P_01_070	Stelschroef M6x12	Vis sans tête M6x12	Socket set screw M6x12	Socket set screw M6x12	Tornillo de fijación de zócalo M6x12
01.030	FLP450P_01_030	Pin motorhouder	Axe support moteur	Pin motor support	Pin motor support	Pasador del soporte del motor
01.031	FLP450P_01_031	Pin motorhouder	Axe support moteur	Pin motor support	Pin motor support	Pasador del soporte del motor
01.032	FLP450P_01_032	Bus ø15ext. - ø8int.	Bague ø15ext. - ø8int.	Bushing ø15ext. - ø8int.	Bushing ø15ext. - ø8int.	Casquillo ø15ext. - ø8int.

01.033	FLP450P_01_033_1	Ring	Anneau	Ring	Ring	Aro
01.034	FLP450P_01_034	Stang	Barre	Tie rod	Tie rod	Barra de acoplamiento IV
01.035	FLP450P_01_073	Pin	Axe	Pin	Pin	Pasador
01.037	FLP450P_01_081	Schroef M10x130 Inox	Vis M10x130 Inox	Screw M10x130 Stainless st.	Screw M10x130 Stainless st.	Banda de conexión
01.038	FLP450P_03_008	Moer M10, Inox	Ecrou M10, Inox	Nut M10, Stainless steel	Nut M10, Stainless steel	Tuerca de torsión dominante M10
01.039	FLP450P_01_082	Rondsel 11x30 Inox	Rondelle 11x30 Inox	Washer 11x30 Stainless steel	Washer 11x30 Stainless steel	Arandela 11x30 Acero inoxidable
01.040	FLP450P_01_040	Excentrische bus	Bague excentrique	Exentric bushing	Exentric bushing	Casquillo exentrico
01.042	FLP450P_01_054	Stelschroef M10x50	Vis sans tête M10x50	Socket set screw M10x50	Socket set screw M10x50	Tornillo de cabeza hueca hexagonal M10x50
01.043	FLP450P_01_043	Pedaal borstelbediening	Pédale commande brosse	Pedal brush command	Pedal brush command	Pedal de control de escobilla
01.044	FLP450P_01_044	Hevel borstelbediening	Levier commande brosse	Lever brush command	Lever brush command	Control de palanca de escobilla
01.045	FLP450P_01_078	Rondsel 6,4x20 Sp.1,5	Rondelle 6,4x20 Sp.1,5	Washer 6,4x20 Sp.1,5	Washer 6,4x20 Sp.1,5	Arandela 6,4x20 Sp.1,5
01.046	FLP450P_01_046_1	Riemschijf tractie-motor	Poulie moteur de traction	Pulley traction motor	Pulley traction motor	Polea de motor de tracción
01.048	FLP450P_01_048	Vork in Inox, pivoterend wiel	Fourche roue piv.en Inox	Fork castor wheel, stainless st.	Fork castor wheel, stainless st.	Rueda orientable de horquilla, acero inoxidable
01.050	FLP450P_01_050	Houderblokje tractiemotor	Bloc support moteur	Motor support bloc	Motor support bloc	Soporte del motor de tracción
01.051	FLP450P_01_051	Houder zuigmond	Support suceur	Squeegee support	Squeegee support	Soporte de escurridor
01.052	FLP450P_01_052	Onderstel	Chassis	Frame	Frame	Bastidor
01.053	FLP450P_03_040	Schroef TCEI M6x30 Inox	Vis TCEI M6x30 Inox	Screw TCEI M6x30, Stainless st.	Screw TCEI M6x30, Stainless st.	Tornillo TCEI M6x30, Acero inoxidable
01.059	FLP450P_03_030	Moer M6, zelfborgend, Inox	Ecrou autobloccant M6, Inox	Nut M6, Selflocking, Stainless st.	Nut M6, Selflocking, Stainless st.	Tuerca de autorretención M6, Acero inoxidable
01.061	FLP450P_01_083	Schroef STEI M6x6	Vis STEI M6x6	Screw STEI M6x6	Screw STEI M6x6	Tornillo STEI M6x6
01.062	FLP450P_01_033	Bus ø15ext. - ø10int.	Bague ø15ext. - ø10int.	Bushing ø15ext. - ø10int.	Bushing ø15ext. - ø10int.	Casquillo 15/10
01.063	FLP450P_01_065	Schroef M10x50 Inox	Vis M10x50 Inox	Screw M10x50 Stainless st.	Screw M10x50 Stainless st.	Tornillo M10x50 Acero inoxidable
01.064	FLP450P_01_084	Bus	Anneau	Ring	Ring	Anillo
01.065	FLP450P_01_085	Rondsel intern voor riemschijf	Rondelle interne pour poulie	Internal washer for pulley	Internal washer for pulley	Arandela interna para la polea
01.066	FLP450P_01_086	Rondsel extern voor riemschijf	Rondelle externe pour poulie	External washer for pulley	External washer for pulley	Arandela externa para la polea
01.067	FLP450P_01_067	Schroef TSPEI M5x16 Inox	Vis TSPEI M5x16 Inox	Screw TSPEI M5x16 Stainless st.	Screw TSPEI M5x16 Stainless st.	Tornillo M5x16 Acero inoxidable
01.068	FLP450P_01_087	Sleufpin 3x3x15	Clavette3x3x15	Key 3x3x15	Key 3x3x15	Llave 3x3x15
01.069	FLP500P_01_024	Bus met schroefdraad	Bague filetée	Threaded bushing	Threaded bushing	Pasador
01.070	FLP450P_01_024	Lager met houder SB204	Roulement + support SB204	Bearing with holder SB204	Bearing with holder SB204	Cojinete con soporte SB204
01.071	FLP450P_01_076	Schroef M8x12 Inox	Vis M8x12 Inox	Screw M8x12, Stainless steel	Screw M8x12, Stainless steel	Tornillo M8x12, Acero inoxidable
01.072	FLP450P_01_077	Schroef M8x12 Inox, linkse draad	Vis M8x12 Inox, filetée gauche	Screw M8x12, Stainless steel, left thr.	Screw M8x12, Stainless steel, left thr.	Tornillo M8x12, Acero inoxidable, rosca izquierda
01.073	FLP450P_01_015	Rondsel 8x24 Sp.2	Rondelle 8x24 Sp.2	Washer 8x24 Sp.2	Washer 8x24 Sp.2	Arandela d=8 D=24
01.074	FLP450P_01_011	Zekeringsring ø20	Circlips ø20	Retaining ring ø20	Retaining ring ø20	Anillos de retención para el eje ø20
01.075	FLP450P_01_071	O-ring 4125	Joint torique 4125	O-ring 4125	O-ring 4125	Junta tórica 4125

01.076	FLP450P_01_045	Riemschijf tractie	Poulie de traction	Traction pulley	Traction pulley	Polea de tracción
01.077	FLP450P_01_036	Wielas	Axe de roue	Wheel axle	Wheel axle	Eje de rueda
01.078	FLP450P_01_039	Veer, links	Ressort gauche	Left spring	Left spring	Muelle izquierdo
01.079	FLP450P_01_037	Veer, rechts	Ressort droite	Right spring	Right spring	Muelle derecho
01.080	FLP450P_01_074	Rondsel	Rondelle	Washer	Washer	Arandela
01.081	FLP450P_01_042	Buisje	Tuyau	Tube	Tube	tubo
01.082	FLP450P_01_047.GRIJS	Tractiewiel, grijs	Roue de traction, gris	Traction wheel, gray	Traction wheel, gray	Rueda FLP450P superelástica,125 mm
01.083	FLP450P_01_088	Wielbus	Bague roue	Wheel bushing	Wheel bushing	Casquillo de rueda
	FLP450P_01_000	Wielas compleet met wielen	Axe de roues complet avec roues	Complete wheelaxle	Complete wheelaxle	Eje de rueda completa

FLP450P

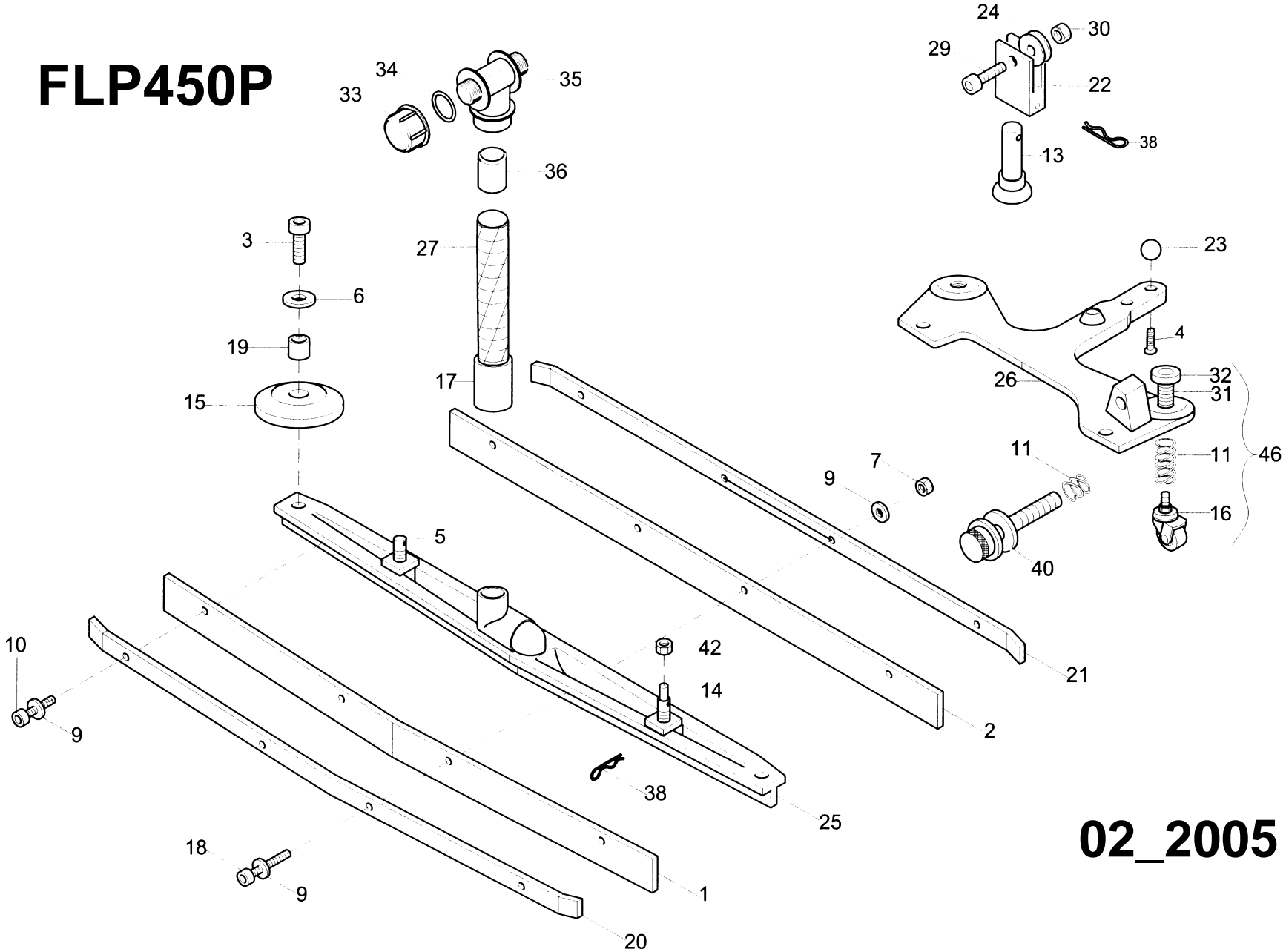


02_2005

Pos.	Code	Omschrijving	Description	Description	Description	Descripción
02.001	FLP450P_02_015	Riem J483-190-8	Courroie J483-190-8	Belt J483-190-8	Belt J483-190-8	Correa J 483-6
02.002	FLP450P_02_028	Riemschijf Reduktie	Poulie reduction	Pulley reduction gear	Pulley reduction gear	Polea
02.003	FLP450P_02_014	Reduktiekast	Réducteur	Reduction gear	Reduction gear	Engranaje reductor
02.004	FLP450P_01_056	Rondsel 11x30, Inox	Rondelle 11x30, Inox	Washer 11x30, Stainless steel	Washer 11x30, Stainless steel	Arandela FE ZNT 10x20
02.005	FLP450P_02_002	Schroef M6x12, Inox	Vis M6x12, Inox	Screw M6x12, Stainless steel	Screw M6x12, Stainless steel	Tornillo M6x12
02.006	FLP450P_01_055	Rondsel 5x15 Sp.1,2, Inox	Rondelle 5x12 Sp. 1,2 Inox	Washer 5x12 Sp. 1,2 Stainless st.	Washer 5x12 Sp. 1,2 Stainless st.	Arandela 5x12 Sp. 1,2 Acero inoxidable
02.007	FLP450P_01_079	Schroef TPS M8x35	Vis TPS M8x35	Screw TPS M8x35	Screw TPS M8x35	Tornillo TPS M8x35 Acero inoxidable
02.008	FLP450P_02_029	Motor houder	Support moteur	Motor support	Motor support	Soporte del motor
02.009	FLP450P_02_012_2	Veer ø2,2 L=81mm øExt. =16mm	Ressort ø2,2 L=81mm øExt. =16mm	Spring ø2,2 L=81mm øExt. =16mm	Spring ø2,2 L=81mm øExt. =16mm	Muelle de motor de escobilla
02.010	FLP450P_02_001	Schroef M6x25, Inox	Vis M6x25, Inox	Screw M6x25, Stainless steel	Screw M6x25, Stainless steel	Tornillo M6x25
02.011	FLP450P_02_027_2	Riemschijf borstelmotor ø30	Poulie brosse moteur ø30	Pulley brush motor ø30	Pulley brush motor ø30	Polea de motor, diám.30
02.012	FLP450P_02_035	Zelfborgende moer M5, Inox	Ecrou autobloccant M5, Inox	Self retaining nut, M5 Inox	Self retaining nut, M5 Inox	Tuerca M5
02.013	FLP450P_02_017	Inlegsple 5x5x20	Clavette 5x5x20	Key 5x5x20	Key 5x5x20	Llaves paralelas 5x5x20
02.014	FLP450P_02_013	Borstelmotor 24V 600W	Moteur de brosse 24V 600W	Brush motor 24V 600W	Brush motor 24V 600W	Motor de escobilla 24V 600W
02.017	FLP500P_01_043	Pin motorhouder	Axe support moteur	Axle motor support	Axle motor support	Pasador del soporte del motor
02.019	FLP450P_02_110	Spatrubber L=1025mm	Bavette de protection L=1025mm	Splash guard L=1025mm	Splash guard L=1025mm	Salpicadero L=1025 mm
02.021	FLP450P_02_109	Houder spatrubber L=1025mm	Support bavette L=1025mm	Holder splash guard L=1025mm	Holder splash guard L=1025mm	Soporte de salpicadero L=1025mm
02.022	FLP450P_02_082	Borstelplaat	Plaque support brosse	Brush holder plate	Brush holder plate	Placa de soporte de escobilla FLP500P
02.023	FLP450P_02_083	Stootwiel	Roue butée	Bumper wheel	Bumper wheel	Paragolpes de rueda KE
02.025	FLP450P_01_060	Rondsel 6x18 Sp. 1,6 Inox	Rondelle 6x18 Sp. 1,6 Inox	Washer 6x18 Sp. 1,6 Inox	Washer 6x18 Sp. 1,6 Inox	Arandela 6x18 Sp. 1,6 Inoxidable
02.026	FLP450P_02_009	Rondsel 6x24 Sp. 2 Inox	Rondelle 6x24 Sp. 2 Inox	Washer 6x24 Sp. 2 Inox	Washer 6x24 Sp. 2 Inox	Arandela d=6x24
02.027	FLP450P_02_031	Rondsel 12x24 Sp.2,5 Inox	Rondelle 12x24 Sp.2,5 Inox	Washer 12x24 Sp.2,5 Inox	Washer 12x24 Sp.2,5 Inox	Arandela 12x24
02.029	PPL_FLP450P	Borstel nylon compleet met flens in metaal	Brosse nylon, complet+flasque en métal	Nylon brush, complete+flange in metal	Nylon brush, complete+flange in metal	Cepillo FLP450P modelo antiguo
02.029	PPL_TYPH82_LEFT	Borstel nylon compleet met flens in pvc	Brosse nylon, complet+flasque en pvc	Nylon brush, complete+flange in pvc	Nylon brush, complete+flange in pvc	Cepillo FLP450P modelo nuevo
02.030	FLP450P_02_024	Borstelflens in metaal	Flasque brosse, en métal	Brush flange in metal	Brush flange in metal	Brida de escobilla
02.030	FLP500P_02_024	Borstelflens, metaal	Flasque de brosse, métal	Metal brush flange	Metal brush flange	Placa cepillo metalica
02.030	TY45080291	Borstelflens in PVC, wit	Flasque brosse, en PVC blanc	Brush flange in PVC, white	Brush flange in PVC, white	Placa cepillo izquierda

02.031	FLP450P_02_034	Schroef TSPEI M5x25, Inox	Vis TSPEI M5x25, Inox	Screw TSPEI M5x25, Stainless steel	Screw TSPEI M5x25, Stainless steel	Tornillo M5x25
02.036	FLP450P_02_004	Schroef TCEI M5x12, Inox	Vis TCEI M5x12, Inox	Screw TCEI M5x12, Stainless steel	Screw TCEI M5x12, Stainless steel	Tornillo TCCE M5x12
02.038	FLP450P_02_018	Inlegspie 6x6x30	Clavette 6x6x30	Key 6x6x30	Key 6x6x30	Llaves paralelas 6x6x30
02.040	FLP450P_02_023_2	Flensas	Arbre d'épaulement	Flanged shaft	Flanged shaft	Eje con plato
02.042	FLP450P_02_085	Klem voor slangbevestiging	Crochet fixation tuyau	Hose clamp	Hose clamp	Abrazadera de manguera
02.045	FLP450P_02_087	Houder voor stootwiel	Support roue butée	Bumper wheel support	Bumper wheel support	Soporte de paraolpes de rueda
02.049	FLP450P_02_091	Veerbevestiging	Fixation ressort	Spring	Spring	Soporte del muelle
02.052	FLP450P_01_065	Schroef M10x50 Inox	Vis M10x50 Inox	Screw M10x50, Stainless steel	Screw M10x50, Stainless steel	Tornillo M10x50 Acero inoxidable
02.053	FLP450P_03_040	Schroef TCEI M6x30, Inox	Vis TCEI M6x30, Inox	Screw M6x30, Stainless steel	Screw M6x30, Stainless steel	Tornillo TCEI M6x30, Acero inoxidable
02.054	FLP450P_02_093	Schroef M12x35, Inox	Vis M12x35, Inox	Screw M12x35, Stainless steel	Screw M12x35, Stainless steel	Tornillo M12x35, Acero inoxidable
02.055	FLP450P_02_094	Ophanging borstelplaat, klein	Support plateau brosse, petit	Brush plate holder, small	Brush plate holder, small	Soporte de placa de escobilla, pequeño
02.056	FLP450P_02_095	Ophanging borstelplaat, groot	Support plateau brosse, grand	Brush plate holder, large	Brush plate holder, large	Soporte de placa de escobilla, grande
02.057	FLP450P_02_096	Inlegspie 4x4x15	Clavette 4x4x15	Key 4x4x15	Key 4x4x15	Llave 4x4x15
02.058	FLP450P_02_097	Rondsel 6,4x12,5, Inox	Rondelle 6,4x12,5 Inox	Washer 6,4x12,5 Inox	Washer 6,4x12,5 Inox	Arandela 6,4x12,5 Inox
02.059	FLP450P_02_022_1	Centralisatiestuk	Cone centralisation brosse	Center ring	Center ring	Anillo central
02.060	FLP450P_02_021_3	Borstelkoppeling	Raccord brosse	Brush connection	Brush connection	Conexión de escobilla
02.061	FLP450P_02_020	Bus	Bague	Bushing	Bushing	Casquillo de tracción
02.062	FLP450P_03_030	Moer, zelfborgend M6, Inox	Ecrou autobloccant M6, Inox	Self retaining nut M6, Stainless st.	Self retaining nut M6, Stainless st.	Tuerca de autorretención M6, Acero inoxidable
02.063	FLP450P_05_005	Schroef TPS M6x20 INOX	Vis TPS M6x20 INOX	Screw TPS M6x20 St. Steel	Screw TPS M6x20 St. Steel	Tornillo M6x20
02.064	FLP450P_02_099	O-Ring 615037.47X5.34	Joint torique	O-ring	O-ring	Junta tórica
02.065	FLP450P_02_100	Tussenring	Anneau séparateur	Spacer ring	Spacer ring	Anillo
02.066	FLP450P_02_101	Kabelverbinding	Connecteur cable	Cable connector	Cable connector	Conexión de cable
02.067	FLP500P_02_067	Borstelkoppeling compleet	Raccord brosse complet	Brush coupling complete	Brush coupling complete	Acoplamiento cepillo completo

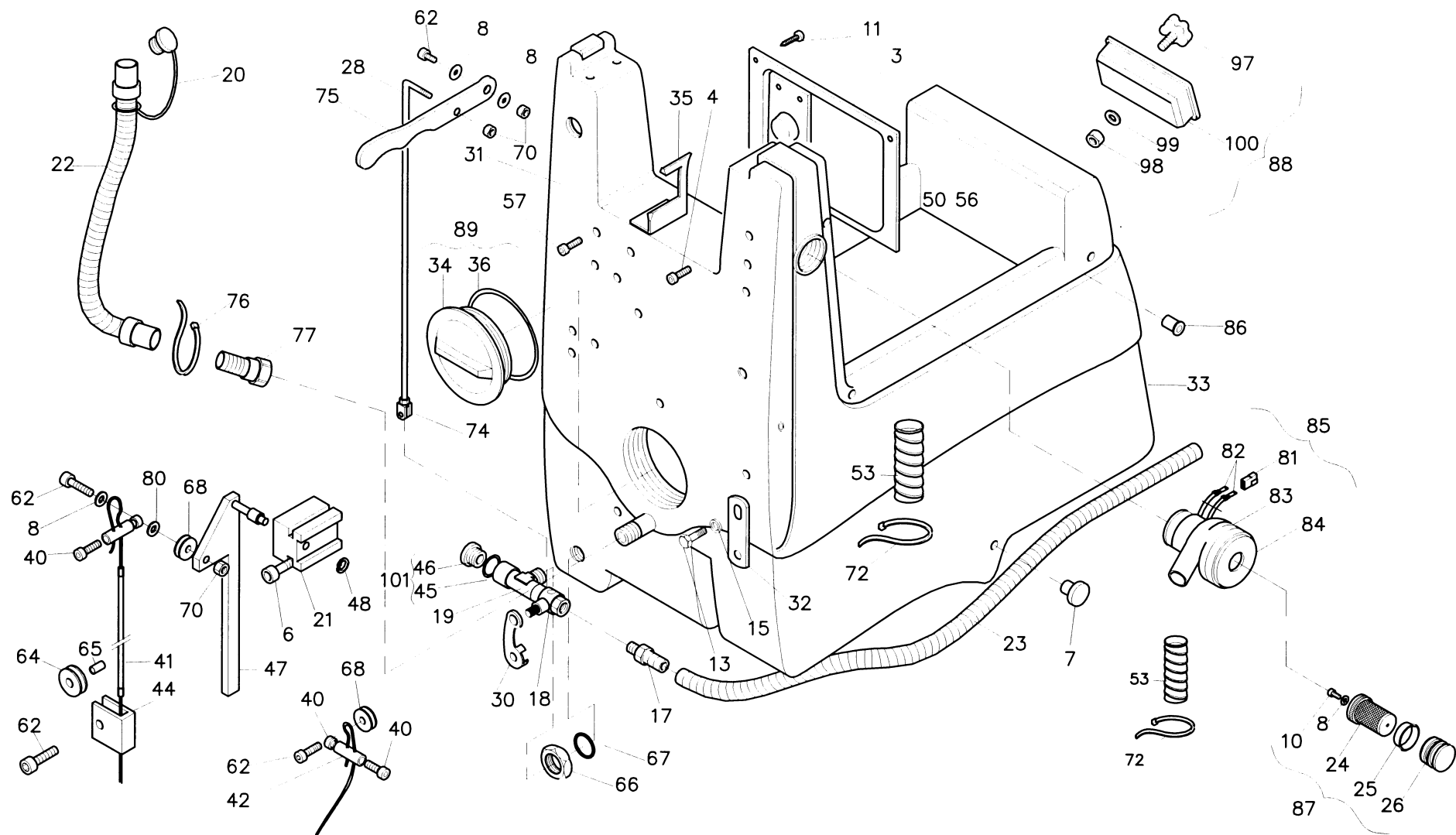
FLP450P



02_2005

Pos.	Code	Omschrijving	Description	Description	Description	Descripción
03.001	FLP450P_03_001	Zuigrubber, achter 750mm	Lamelle suceur arrière 750mm	Rear squeegee rubber	Rear squeegee rubber	Goma trasera
03.002	FLP450P_03_002	Zuigrubber, voor 750mm	Lamelle suceur avant 750mm	Front squeegee rubber	Front squeegee rubber	Goma delantera
03.003	FLP450P_03_003	Schroef TCEI M6x35	Vis TCEI M6x35	Screw TCEI M6x35	Screw TCEI M6x35	Tornillo M6x35
03.004	FLP500P_03_004_3	Schroef M10X40INOX	Vis TCEI M10x40	Screw TCEI M10x40	Screw TCEI M10x40	Tornillo (Allen) M10x40 Acero inoxidable
03.005	FLP450P_03_005_3	Ophangbout	Boulon spécial	Stud bolt	Stud bolt	Perno prisionero
03.006	FLP450P_02_009	Rondsel 6x24 Sp.2	Rondelle 6x24 Sp.2	Washer 6x24 Sp.2	Washer 6x24 Sp.2	Arandela d=6x24
03.007	FLP450P_01_014	Zelfborgende moer M8, Inox	Ecrou autobloccant M8, Inox	Self retaining nut M8, Stainless St.	Self retaining nut M8, Stainless St.	Tuerca de torsión dominante M8
03.009	FLP450P_01_015	Rondsel 8x24 Sp.2	Rondelle 8x24 Sp.2	Washer 8x24 Sp.2	Washer 8x24 Sp.2	Arandela d=8 D=24
03.010	FLP450E_03_010	Schroef M8x55, Inox	Vis M8x55, Inox	Screw M8x55, Stainless steel	Screw M8x55, Stainless steel	Tornillo M8x55 Acero inoxidable
03.011	FLP450P_03_011	Veer	Ressort	Spring	Spring	Muelle de soporte de rueda de escurridor
03.013	FLP450P_03_013_NT	Draagpin	Axe support suceur	Squeegee support pin	Squeegee support pin	Pasador de soporte
03.014	FLP450P_03_014_3	Ophangbout	Boulon spécial	Stud bolt	Stud bolt	Consulte: FLP450P_03_014NT
03.015	FLP450P_03_015_1	Stootwiel ø110mm	Roue butée ø110mm	Bumper wheel ø110mm	Bumper wheel ø110mm	Paragolpes de rueda ø110mm
03.016	FLP450P_03_016_NM	Wieltje zuigmond	Roue suceur	Squeegee wheel	Squeegee wheel	Rueda orientable, escurridor
03.017	FLP450P_03_017	Mof , polyrex 32/38	PVC en polyrex 32/38	Cuff in polyrex 32/38	Cuff in polyrex 32/38	Puño de polyrex 32/39
03.018	FLP450P_01_007	Schroef M8x65 INOX	Vis M8x65, Inox	Screw M8x65, Stainless steel	Screw M8x65, Stainless steel	Tornillo M8x65 Acero inoxidable
03.019	FLP450P_03_019	Bus	Bague	Bushing	Bushing	Separador
03.020	FLP450P_03_020	Spanlijst, achter	Listelle de fixation arrière	Rear blade	Rear blade	Pala trasera
03.021	FLP450P_03_021	Spanlijst, voor	Listelle de fixation avant	Front blade	Front blade	Pala delantera
03.022	FLP450P_03_022_NT	Verbinding trekkabel	Connection cable tirant	Cable connection	Cable connection	Conexión de cable
03.023	FLP450P_03_023	Kogel	Bille	Ball	Ball	Bola giratoria
03.024	FLP450P_03_024NM	Rolletje	Rouleau	Roll	Roll	Anillo
03.025	FLP450P_03_025	Chassis zuigmond	Chassis suceur	Squeegee body	Squeegee body	Armazón de escurridor
03.026	FLP450P_03_026_NT	Houder zuigmond	Support suceur	Squeegee support	Squeegee support	Soporte de escurridor
03.027	FLP450P_03_027	Aanzuigslang	Tuyau d'aspiration	Suction hose	Suction hose	Manguera de succión
03.029	FLP450P_01_069	Schroef M6x20, Inox	Vis M6x20, Inox	Screw M6x20, Stainless steel	Screw M6x20, Stainless steel	Tornillo M6x20 Acero inoxidable
03.030	FLP450P_03_030	Zelfborgende moer M6, Inox	Ecrou autobloccant M6, Inox	Selfretaining nut M6, Stainless st.	Selfretaining nut M6, Stainless st.	Tuerca de autorretención M6, Acero inoxidable
03.031	FLP450P_03_010	Regelschroef M14 ext. M10 int.	Vis de réglage M14 ext. M10 int.	Adjusting screw M14 ext. M10 int.	Adjusting screw M14 ext. M10 int.	Tornillo de ajuste M14x40 (M10x20)

03.032	FLP450P_03_032_NT	Bus	Bague	Ring	Ring	Casquillo
03.033	FLP450P.03.035NT	Schroefdop 1 1/4"	Bouchon 1 1/4"	Stop 1 1/4"	Stop 1 1/4"	Tope 1 1/4"
03.034	FLP450P.03.034	Dichting	Joint	Gasket	Gasket	Junta
03.035	FLP450P.03.037	T - koppeling	Connection à "T"	T - connection	T - connection	Conexión en T
03.036	FLP450P_03_038	Rechte koppeling	Connection droite	Connection straight	Connection straight	Conector recto
03.038	FLP450P_01_018	Speld ø2 L=50	Epingle ø2 L=50	Pin ø2 L=50	Pin ø2 L=50	Muelle de cierre
03.039	FLP450P_03_032_3	Verbindingsstuk	Connection	Connection plate	Connection plate	Conexión de soporte de escurridor
03.040	FLP450P_03_039_3	Regelschroef	Vis de réglage	Adjusting screw	Adjusting screw	Tornillo de ajuste
03.042	FLP450P_03_008	Moer M10, Inox	Ecrou M10, Inox	Nut M10, Stainless steel	Nut M10, Stainless steel	Tuerca de torsión dominante M10
03.046	FLP450P.03.046	Wieltje zuigmond compleet	Roue suceur complet	Complete squeegee wheel	Complete squeegee wheel	Rueda boquilla, completa
	FLP450P_03_000	Zuigmond compleet	Suceur complet	Complete squeegee	Complete squeegee	Escurridor completo



Ed. 2005

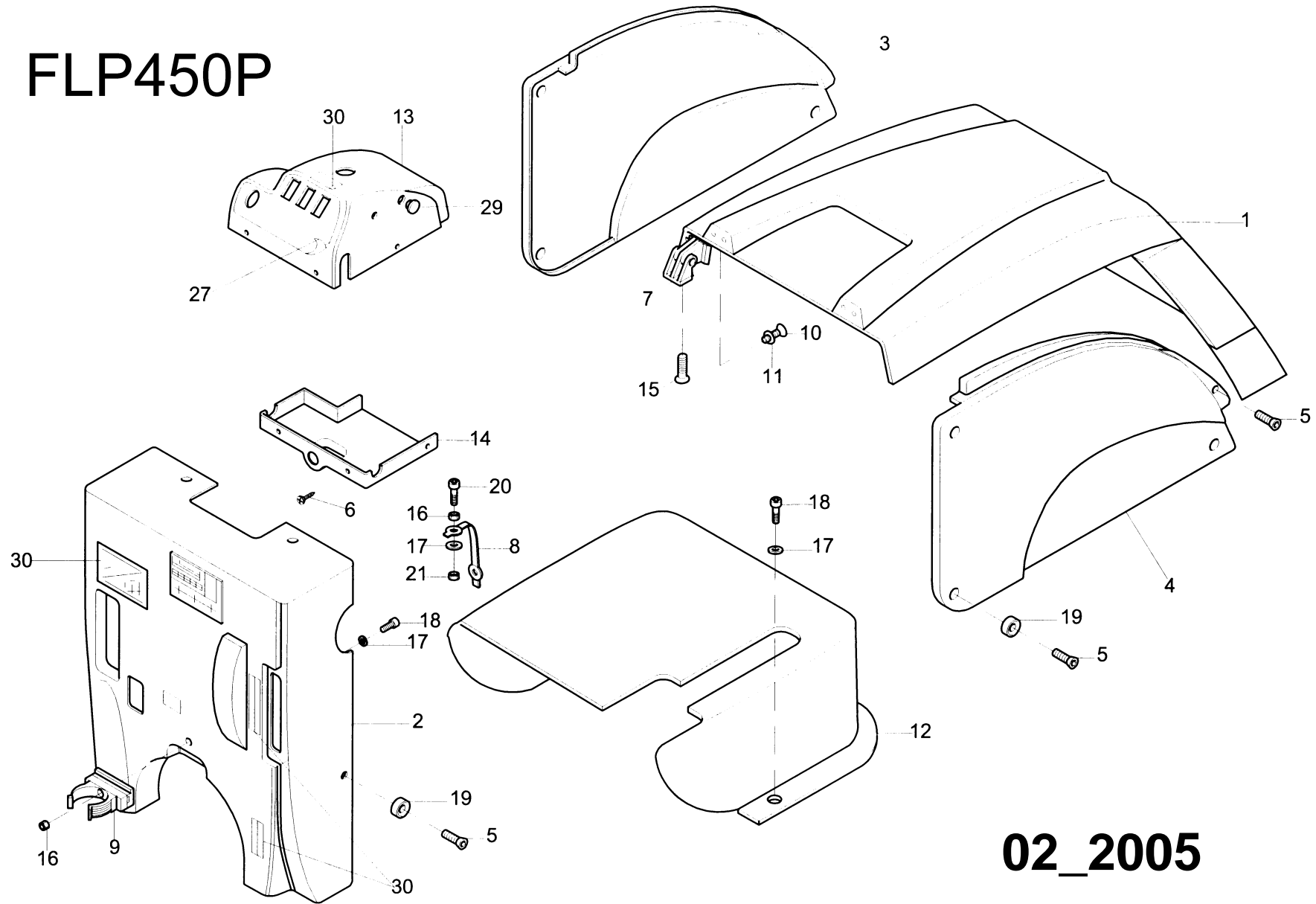
FLP450P

Pos.	Code	Omschrijving	Description	Description	Description	Descripción
04.003	FLP450P_04_003	Afdekplaat	Plaque de protection	Protection plate	Protection plate	Placa protectora
04.004	FLP450P_03_040	Schroef M6x30 INOX	Vis M6x30	Screw M6x30	Screw M6x30	Tornillo TCEI M6x30, Acero inoxidable
04.006	FLP450P_04_006	Schroef M6x60	Vis M6x60	Screw M6x60	Screw M6x60	Tornillo M6x60
04.007	FLP450P_04_084	Stop	Bouchon	Tap	Tap	Bottone panda
04.008	FLP450P_01_060	Rondsel FE ZNT 6x18	Rondelle FE ZNT 6x18	Washer FE ZNT 6x18	Washer FE ZNT 6x18	Arandela 6x18 s=1,6
04.010	FLP450P_06_036	Schroef TCEI M6x12	Vis TCEI M6x12	Screw TCEI M6x12	Screw TCEI M6x12	Tornillo M6x12
04.011	FLP450P_04_011	Zelfborende schroef 3,5x16	Vis autoperceuse 3,5x16	Selfdrilling screw 3,5x16	Selfdrilling screw 3,5x16	Tornillo autorroscante 3,5x16
04.013	FLP500P_02_052	Schroef TE M6X16	Vis TE M6X16	Screw TE M6X16	Screw TE M6X16	Tornillo M6X16
04.015	FLP450P_04_075	Rondsel 6X14 S=1 INOX	Rondelle 6X14 S=1 INOX	Washer 6X14 S=1 INOX	Washer 6X14 S=1 INOX	Arandela Diám.6x14 S=1
04.017	FLP450P_04_017	Fitting 1/2"	Raccord 1/2"	Fitting 1/2"	Fitting 1/2"	Conector 1/2"
04.018	FLP450P_04_018	Waterkraantje	Robinet	Cock	Cock	Grifo
04.019	FLP450P_04_019	Fitting "T" 1/2"	Raccord à "T" 1/2"	"T" fitting 1/2"	"T" fitting 1/2"	Conector en "T" 1/2"
04.020	FLP450P_04_020	Aflaatstop vuilwatertank	Bouchon de vidange	Exhaust tap	Exhaust tap	Tapón de escape
04.021	FLP450P_04_045	Houder voor hevel	Support levier	Lever support	Lever support	Soporte de la palanca
04.022	FLP450P_04_022	Aflaatslang	Tuyau de vidange	Drain hose	Drain hose	Manguera de drenaje
04.023	FLP450P_04_023	Waterslang	Tuyau d'eau	Waterhose	Waterhose	Manguera de agua
04.024	FLP450P_04_051	Aanzuigfilter	Filtre d'aspiration	Suction filter	Suction filter	Filtro de succión
04.025	FLP450P_04_052	Dichting	Joint	Gasket	Gasket	Junta
04.026	FLP450P_04_055	Filterstop	Bouchon filtre	Filterstop	Filterstop	Tope de filtro
04.028	FLP450P_04_079	Trekstang waterkraan	Tirant, robinet	tie rod cock	tie rod cock	Barra de acoplamiento
04.030	FLP450P_04_080	Hevel waterkraan	Levier robinet	Water cock lever	Water cock lever	Palanca de grifo
04.031	FLP450P_04_031	Vuilwater tank	Réservoir eau récupération	Recovery tank	Recovery tank	Depósito de recuperación

04.032	FLP450P_04_081	Verbindingslipje	Languette de connection reserv.	Connection stripe	Connection stripe	Banda de conexión
04.033	FLP450P_04_032	Proper water tank	Réservoir eau propre	Fresh water tank	Fresh water tank	Depósito de agua fresca
04.034	FLP450P_04_034	Deksel controleklep	Couvercle trappe de vidange	Cover	Cover	Cubierta
04.035	FLP450P_04_035	Houder zuigmotor	Support moteur d'aspiration	Suction motor support	Suction motor support	Soporte de motor de succión
04.036	FLP450P_04_001	Dichting controleklep	Joint trappe de vidange	Gasket control cover	Gasket control cover	Junta de cubierta del control
04.040	FLP450P_02_004	Zelfborende schroef M5x12	Vis autoperceuse M5x12	Selfdrilling screw M5x12	Selfdrilling screw M5x12	Tornillo TCCE M5x12
04.041	FLP450P_04_041	Kabel, zuigmond opheffing	Cable de relevage suceur	squeegee lift cable	squeegee lift cable	cable de elevación de escurridor
04.042	FLP450P_04_042	Houder voor kabel	Support cable	Cable support	Cable support	Soporte de cable
04.044	FLP450P_04_082	Houder voor rolletje	Support rotule	Roll support	Roll support	Soporte de rodillo
04.045	FLP450P_04_021	O-ring 3068 17x2,5	Joint torique 3068 17x2,5	O-ring 3068 17x2,5	O-ring 3068 17x2,5	Junta tórica 17x2,72
04.046	FLP450P_04_037	Aflaatstop proper water	Bouchon de vidange eau propre	Stop, solution tank	Stop, solution tank	Tope, depósito de la solución
04.047	FLP450P_04_047	Hevel	Levier	Lever	Lever	Palanca
04.048	FLP450P_04_087	Ring Diam.8	Anneau Diam.8	Ring Diam.8	Ring Diam.8	Anillo de retención d=8
04.053	FLP450P_04_053	Slang luchtuitlaat	Tuyau d'évacuation air	Air evacuation hose	Air evacuation hose	Manguera de evacuación de aire
04.057	FLP450P_01_002	Schroef M6x16 INOX	Vis M6x16 INOX	Screw M6x16 Stainless steel	Screw M6x16 Stainless steel	Tornillo M6x16
04.062	FLP500P_07_010	Schroef M6x20 INOX	Vis M6x20 INOX	Screw M6x20 stainless steel	Screw M6x20 stainless steel	Tornillo M6x20 Acero inoxidable Acero
04.064	FLP450P_04_088	Rolletje	Rouleau	Roll	Roll	Soporte de rodillo
04.065	FLP450P_03_012_3	Bus voor wielkje	Bague	Bushing	Bushing	Pasador roscado
04.066	FLP450P_04_071	Rondsel voor O-ring 4087	Rondelle pour joint torique 4087	Washer for O-ring 4087	Washer for O-ring 4087	Arandela
04.067	FLP450P_04_072	O-ring 4087	Joint torique 4087	O-ring 4087	O-ring 4087	Junta tórica
04.068	FLP450P_04_095	Rolletje	Rouleau	Roll	Roll	rodillo
04.070	FLP450P_02_008	Moer M6 INOX	Ecrou M6 INOX	Nut M6 stainless steel	Nut M6 stainless steel	Tuerca M6
04.072	FLP450P_04_024	Spanbandje 4,8x290	Collier 4,8x290	Strap 4,8x290	Strap 4,8x290	Correa 4,8x290
04.074	FLP450P_04_077	Vork M6 + clip	Fourchette M6+clip	Fork M6 + clip	Fork M6 + clip	Horquilla ajustable M6
04.075	FLP450P_04_078	Hevel bediening waterkraan	Levier commande eau	Water control lever	Water control lever	Palanca de control de grifo
04.076	FLP450P_04_090	Spanbandje, zwart 360 x 7,8	Strip de serrage 360 X 7,8	Tightner 360 x 7,8	Tightner 360 x 7,8	Tensor 360 x 7,8
04.077	FLP450P_04_009	Fitting Diam.32	Raccord Diam.32	Fitting Diam.32	Fitting Diam.32	Pieza de ref. FLP450P.04.022
04.078	FLP450P_05_005	Schroef TPS M6x20 INOX	Vis M6x20 INOX	Screw TPS M6x20 Stainless steel	Screw TPS M6x20 Stainless steel	Tornillo M6x20
04.080	FLP450P_04_070	Rondsel	Rondelle	Washer	Washer	Arandela
04.081	FLP500P_04_090	Connectorhuls	Connecteur	Connector	Connector	Conector

04.082	FLP500P_04_091	Connector	Connecteur	Connector	Connector	Contacto conector
04.083	FLP450P_04_050	Zuigmotor	Moteur d'aspiration	Suction motor	Suction motor	Motor de succión
04.084	FLP500P_04_056	Dichting zuigmotor	Join moteur aspiration	Gasket suction motor	Gasket suction motor	Junta del motor de succión
04.085	FLP450P_04_050_KIT	Kit zuigmotor	Kit moteur d'aspiration	Kit suction motor	Kit suction motor	Kit motor de aspiración 24V-2 etapas
04.086	FLP500P_04_057	Bus	Insertion	Insertion	Insertion	Inserito
04.087	FLP450P_04_000	Filter compleet	Complete filter	Filter complete	Filter complete	Filtro de succión completo
04.088	FLP500P_04_082	Stop properwatertank compleet	Bouchon complet réservoir solution	Solution tank stop complete	Solution tank stop complete	Kit tope del depósito
04.089	FLP500P_04_085	Kit deksel controleklep	Kit couvercle trappe de vidange	Cover kit	Cover kit	Kit Cubierta
04.097	FLP450P_04_059	Schroefknop	Pommeau	Knob	Knob	Mango
04.098	FLP500P_07_008	Moer, zelfborgend M8 inox	Ecrou autoblocc. M8	Selfretaining nut M8	Selfretaining nut M8	Tuerca de torsión dominante M8 Acero inoxidable
04.099	FLP450P_01_015	Rondsel 8x24 s=2 Inox	Rondelle 8x24 s=2 Inox	Washer 8x24 s=2 Stainless steel	Washer 8x24 s=2 Stainless steel	Arandela d=8 D=24
04.100	FLP450P_04_002	Vuldop	Bouchon de remplissage	Tank stop	Tank stop	Tope del depósito
04.101	FLP500P_04_100	Aflaatstop properwater compleet	Bouchon complet	Complete tap	Complete tap	Kit tope, depósito de la solución

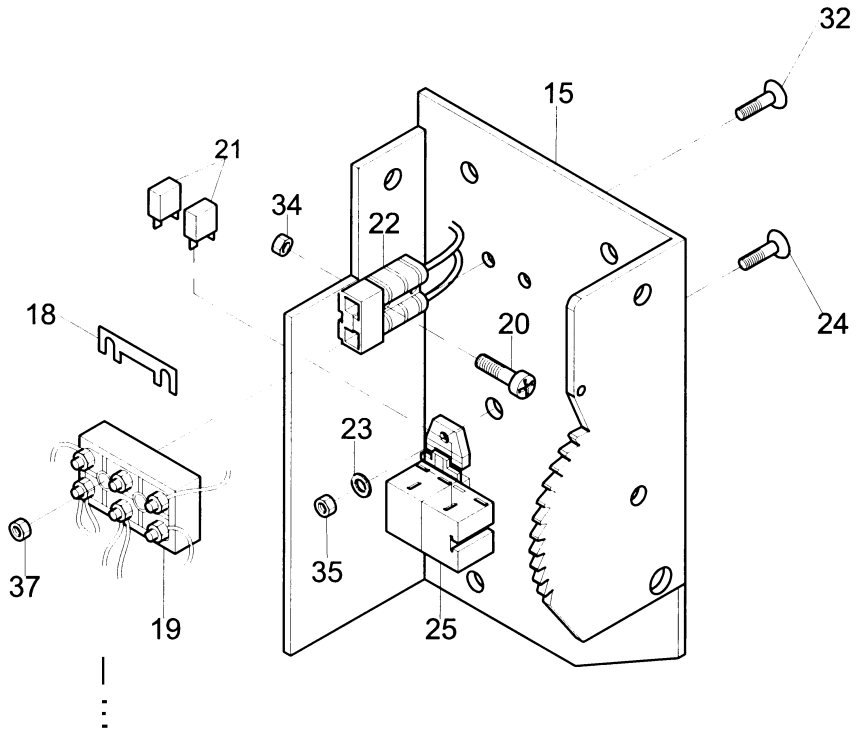
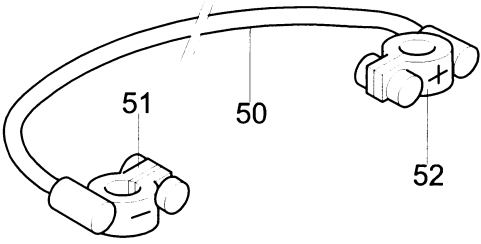
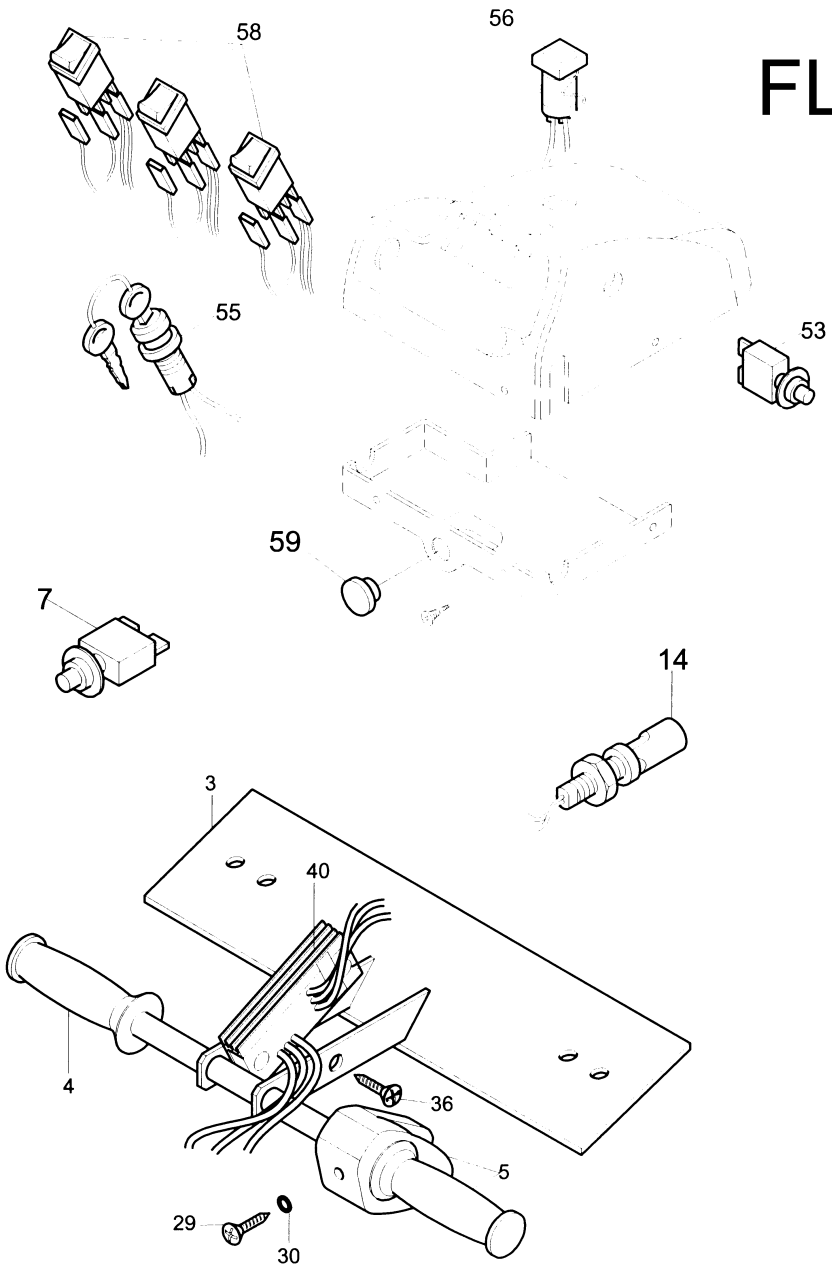
FLP450P



02_2005

Pos.	Code	Omschrijving	Description	Description	Description	Descripción
05.001	FLP450P_05_001	Bovenkap, blauw	Capot, bleu	Bonnet, blue	Bonnet, blue	Cubierta de protección (azul)
05.002	FLP450P_05_002_2	Afdekkap, achter	Capot arrière	Rear bonnet	Rear bonnet	Cubierta de protección trasera
05.003	FLP450P_05_003	Zijplaat, links	Panneau, gauche	Side plate, left	Side plate, left	Placa lateral, izquierda
05.004	FLP450P_05_004	Zijplaat, rechts	Panneau, droite	Side plate, right	Side plate, right	Placa lateral, derecha
05.005	FLP450P_05_005	Schroef M6x20 Inox	Vis M6x20 Inox	Screw M6x20 Stainless steel	Screw M6x20 Stainless steel	Tornillo M6x20
05.006	FLP500P_06_013	Zelftappende schroef 2,9x19	Vis autofil. 2,9x19	Selftapping screw 2,9x19	Selftapping screw 2,9x19	Tornillo autorroscante 2,9x19
05.007	FLP450P_05_007	Scharnier	Charnière	Hinge	Hinge	Articulación
05.008	FLP450P_05_008	Elastiek	Elastique	Elastic	Elastic	Elástico
05.009	FLP450P_05_009	Slang houder	Support tuyau	Hose support	Hose support	Soporte de la manguera
05.010	FLP450P_05_006	Schroef (Inbus) M5x16	Vis (Allen) M5x16	Screw (Allen) M5x16	Screw (Allen) M5x16	Tornillo (Allen) M5x16
05.011	FLP450P_01_055	Rondsel 5x15 s=2 Inox	Rondelle 5x15 s=2 Inox	Washer 5x15 s=2 Stainless steel	Washer 5x15 s=2 Stainless steel	Arandela 5x12 Sp. 1,2 Acero inoxidable
05.012	FLP450P_05_020	Motor kap, blauw	Capot de protection moteur, Bleu	Motor cap, Blue	Motor cap, Blue	Tapa del motor, azul
05.013	FLP450P_06_011	Deksel handvat, boven	Couvercle manette, supérieur	Upper cover for handle	Upper cover for handle	Cubierta superior para mango
05.014	FLP450P_06_012	Deksel handvat, onder	Couvercle manette inférieur	Lower cover for handle	Lower cover for handle	Cubierta inferior del mango
05.015	FLP450P_01_090	Schroef (Inbus) M5x16 Inox	Vis (Allen) M5x16 Inox	Screw (Allen) M5x16 St. St.	Screw (Allen) M5x16 St. St.	Tornillo (Allen) M5x16 Acero inoxidable
05.016	FLP450P_02_008	Moer M6 Inox	Ecrou M6 Inox	Nut M6 Stainless steel	Nut M6 Stainless steel	Tuerca M6
05.017	FLP450P_01_060	Rondsel 6x18 s=1,6 Inox	Rondelle 6x18 s=1,6 Inox	Washer 6x18 s=1,6 Stainless steel	Washer 6x18 s=1,6 Stainless steel	Arandela 6x18 s=1,6
05.018	FLP450P_01_002	Schroef M6x16 Inox	Vis M6x16 Inox	Screw M6x16 Stainless steel	Screw M6x16 Stainless steel	Tornillo M6x16
05.019	FLP450P_05_019	Rondsel nylon	Rondelle, nylon	Washer, nylon	Washer, nylon	Arandela de nylon
05.020	FLP450P_02_001	Schroef TCEI (Inbus) M6x25 Inox	Vis TCEI (Allen) M6x25 Inox	Screw TCEI (Allen) M6x25 St. St.	Screw TCEI (Allen) M6x25 St. St.	Tornillo M6x25
05.021	FLP450P_03_030	Zelfborgende moer M6 Inox	Ecrou M6 autofrein. Inox	Selflocking nut M6 Stainless steel	Selflocking nut M6 Stainless steel	Tuerca de autorretención M6, Acero inoxidable
05.027	FLP450P_06_055	Serie etiketten bediening	Serie d'étiquettes commandes	Kit adhesifs commands	Kit adhesifs commands	Kit de etiquetas adhesivas de comandos
05.029	FLP450P_06_039	Stopje	Bouchon	Button	Button	Botón
05.030	FLP450P_06_056	Etiket "2 symbolen"	Etiquette "2 symboles"	Adhesif "2 symbols"	Adhesif "2 symbols"	Etiqueta adhesiva "2 símbolos"

FLP450P

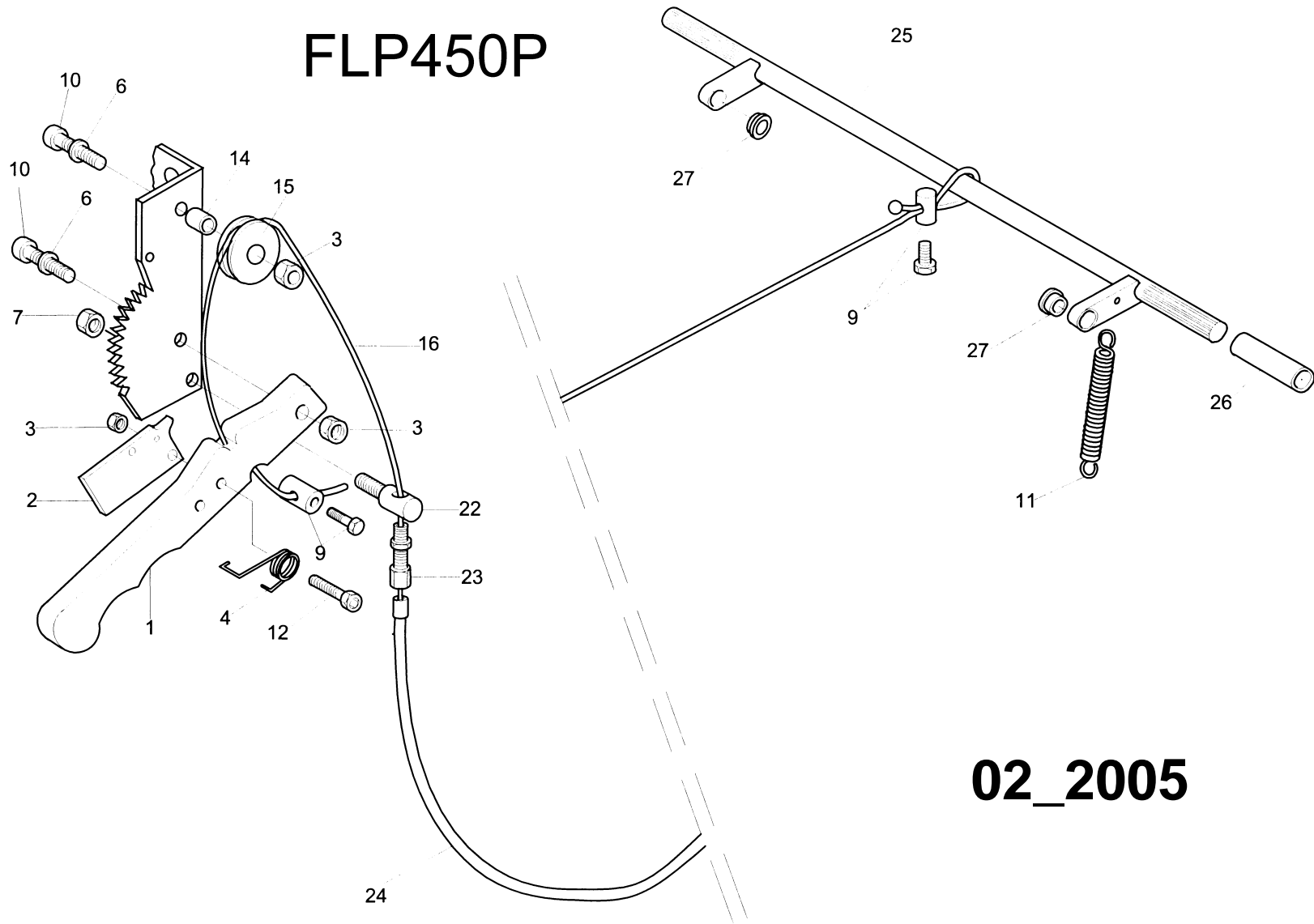


02_2005

Pos.	Code	Omschrijving	Description	Description	Description	Descripción
06.003	FLP450P_06_030	Hendel	Manche	Handle	Handle	Mango
06.004	FLP450P_06_004	Handvat links	Manette gauche	Left hand grip	Left hand grip	Empuñadura izquierda
06.005	FLP450P_06_005	Handvat rechts met regeling	Manette droite + controle de vit.	Right hand grip + speed control	Right hand grip + speed control	Empuñadora de mano derecha con control de velocidad
06.007	FLP450P_06_037	Overstroombeveiliging 35A	Disjoncteur 35A	Overload switch 35A	Overload switch 35A	Interruptor de sobrecarga 35A
06.014	FLP450P_06_014	Vlotter	Flotteur	Float	Float	Flotador
06.015	FLP450P_06_025_2	Houderplaatje	Plaque support	Holder plate	Holder plate	Placa de soporte
06.018	FLP450P_06_028	Zekering 80A	Fusible lam. 80A	Fuse 80A	Fuse 80A	Fusible 80A
06.019	FLP450P_06_019	Connector 70x45 6contacten	Connecteur 70x45 6contactes	Connector 70x45 6 contacts	Connector 70x45 6 contacts	Conector 70x45 de 6 contactos
06.020	FLP450P_06_045	Schroef TCCE M4x25	Vis TCCE M4x25	Screw TCCE M4x25	Screw TCCE M4x25	Tornillo TCCE M4x25
06.021	FLP450P_06_022	Relais 24V	Relais 24v	Relais 24v	Relais 24v	Relé 24v CB1 AP - 70A
06.022	C_14_0001	Batterijconnector, grijs	Prise de charge batteries, grise	Charge connector, gray	Charge connector, gray	Conector bipolar 50A fem. Rojo
06.022	72700012	Batterijconnector, rood	Prise de charge batteries, rouge	Charge connector, red	Charge connector, red	Conector bipolar 50A fem. Gris
06.023	FLP450P_04_058	Rondsel D.5x10 SP.=1	Rondelle D.5x10 SP.=1	Washer D.5x10 SP.=1	Washer D.5x10 SP.=1	Arandela D.5X10 SP.=1
06.024	FLP500P_06_024	Schroef M5x10	Vis M5x10	Screw M5X10	Screw M5X10	Tornillo M5x10
06.025	FLP450P_06_023	Relais houder	Support relais	Relais support	Relais support	Soporte de relé
06.029	FLP450P_06_029	Schroef TPS 4,8x25	Vis TPS 4,8x25	Screw TPS 4,8x25	Screw TPS 4,8x25	Tornillo TPS 4,8x25
06.030	FLP450P_05_019	Rondsel, nylon	Rondelle, nylon	Washer, nylon	Washer, nylon	Arandela de nylon
06.032	FLP500P_06_025	Schroef M6X20	Vis M6X20	Screw M6X20	Screw M6X20	Tornillo M6x20
06.034	FLP450P_06_033	Moer M4, zelfborgend	Ecrou M4, autobloc.	Nut M4,	Nut M4,	Tuerca M4,
06.035	FLP450P_04_099	Moer M5	Ecrou M5	Nut M5	Nut M5	Tuerca M5
06.036	FLP450P_06_036	Schroef TC M6X12	Vis TC M6X12	Screw TC M6X12	Screw TC M6X12	Tornillo M6x12
06.037	FLP450P_02_008	Moer M6 INOX	Ecrou M6 INOX	Nut M6 Inox	Nut M6 Inox	Tuerca M6
06.040	FLP450P_06_018	Kontrolekaart tractiemotor	Carte de controle mot. de traction	Control card tract. motor	Control card tract. motor	Panel de control de motor de tracción
06.050	FLP450P_06_031	Verbindingskabel batterijen	Cable de connection batteries	Connection cable batteries	Connection cable batteries	Cables de conexión de batería
06.051	AUCON78114	Batterijklem NEG.	Borne batterie NEG.	Batterie connector NEG.	Batterie connector NEG.	Abrazadera batería neg.
05.052	AUCON78113	Batterijklem POS.	Borne batterie POS.	Batterie connector POS.	Batterie connector POS.	Abrazadera batería pos.
06.053	FLP500P_06_017	Overstroombeveiliging 12A	Disjoncteur 12A	Overload switch 12A	Overload switch 12A	Interruptor de sobrecarga 12A
06.055	FLP450P_06_024	Sleutelschakelaar	Interrupteur à clé	Key switch	Key switch	Llave de contacto

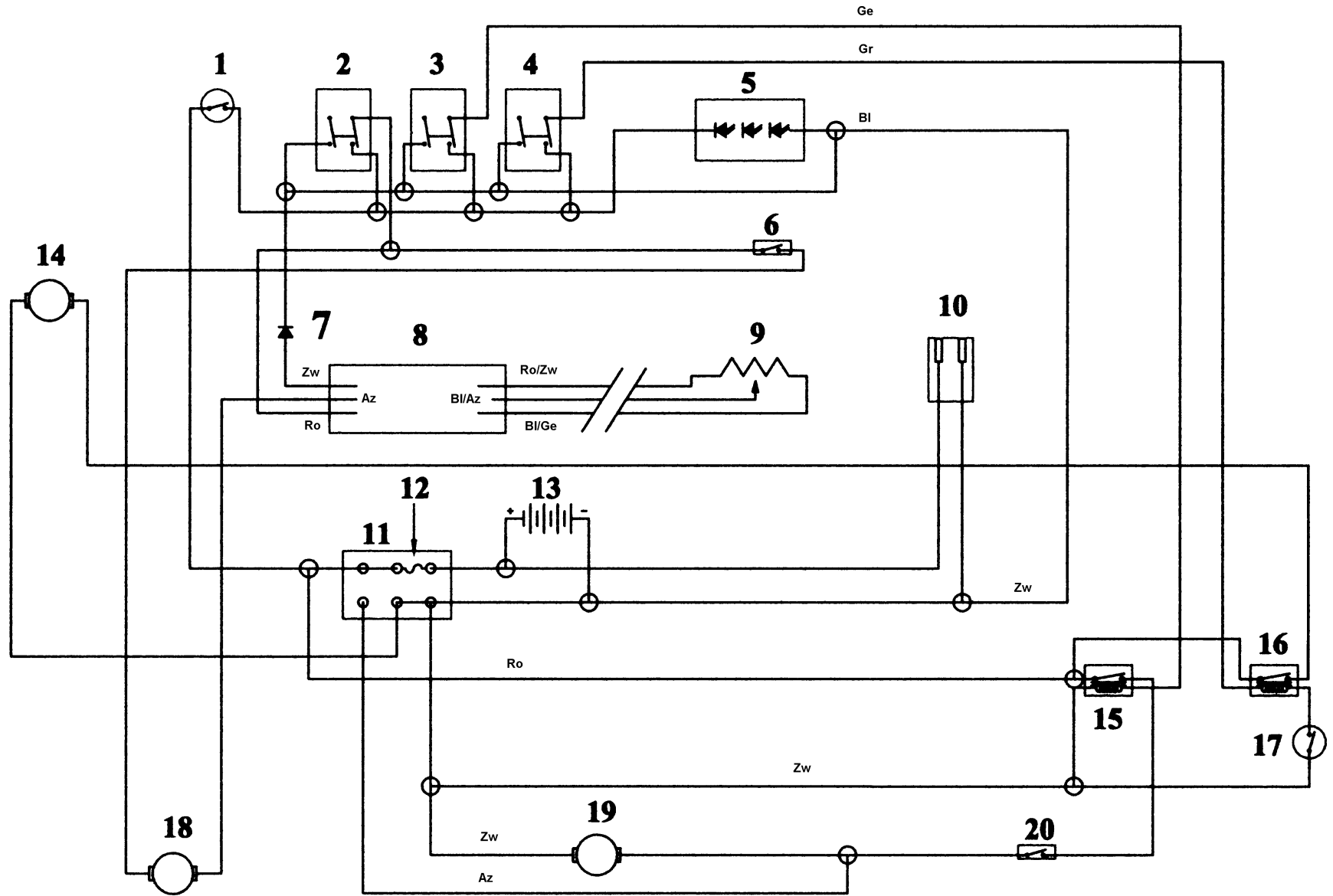
06.056	FLP450P_06_016	Batterijcontrole	Controle batteries	Battery control	Battery control	Control de la batería
06.058	FLP450P_06_015	Kipschakelaar, rood	Interrupteur, rouge	Switch, red	Switch, red	Interruptor
06.059	FLP450P_06_040	Stop	Bouchon	Plug	Plug	Botón

FLP450P



02_2005

Pos.	Code	Omschrijving	Description	Description	Description	Descripción
07.001	FLP500P_07_001	Handvat	Poignée	Handle	Handle	Mango
07.002	FLP500P_07_002	Blokkeerplaatje	Plaque de blocage	Blocking plate	Blocking plate	Placa de retención
07.003	FLP500P_07_017	Zelfborgende moer M6	Ecrou autobloccant M6	Oreavailing torque nut M6	Oreavailing torque nut M6	Tuerca de torsión dominante M6
07.004	FLP450P_07_004	Veer voor remhendel	Ressort pour poignée de frein	Spring for brake handle	Spring for brake handle	Muelle
07.006	FLP450P_01_060	Rondsel 6x18 s=1,6 Inox	Rondelle 6x18 s=1,6 Inox	Washer 6x18 s=1,6 Stainless steel	Washer 6x18 s=1,6 Stainless steel	Arandela 6x18 s=1,6
07.007	FLP450P_01_014	Zelfborgende moer M8 Inox	Ecrou autobloccant M8 Inox	Oreavailing torque nut M8 Stainl. St.	Oreavailing torque nut M8 Stainl. St.	Tuerca de torsión dominante M8
07.009	FLP450P_07_009	Kabelhouder met schroefje	Support cable + vis	Cable support + screw	Cable support + screw	Soporte de cable + tornillo
07.010	FLP450P_01_069	Schroef (Inbus) M6x20 Inox	Vis (Allen) M6x20 Inox	Screw (Allen) M6x20 Stainl. steel	Screw (Allen) M6x20 Stainl. steel	Tornillo M6x20 Acero inoxidable
07.011	FLP500P_07_011	Veer	Ressort	Spring	Spring	Muelle
07.012	FLP450P_02_001	Schroef (Inbus) M6x25 Inox	Vis (Allen) M6x25 Inox	Screw (Allen) M6x25 Inox	Screw (Allen) M6x25 Inox	Tornillo M6x25
07.014	FLP500P_07_014	Bus	Bague	Bushing	Bushing	Casquillo
07.015	FLP500P_07_015	Rolletje	Rouleau	Roll	Roll	Rodillo
07.016	FLP500P_07_016_2	Remkabel 1800mm	Cable de frein 1800mm	Brake cable 1800mm	Brake cable 1800mm	Cable de freno 1800 mm
07.022	FLP500P_07_022	Houder regelschroef	Support vis de réglage	Adjusting screw support	Adjusting screw support	Tornillo de ajuste de soporte
07.023	FLP500P_07_023_2	Regelschroef M8x40	Vis de réglage M8x40	Adjusting screw M8x40	Adjusting screw M8x40	Tornillo de ajuste M8x40
07.024	FLP500P_07_024_3	Kabelkous	Gaine	Cable protection	Cable protection	Protección de cable
07.025	FLP450P_07_025	Remas	Axe de frein	Brake axle	Brake axle	Eje del freno
07.026	FLP500P_07_026	Remschoen	Protection frein	Brake rubber	Brake rubber	Goma de freno
07.027	FLP500P_01_024	Bus	Bague	Bushing	Bushing	Pasador



Pos.	Omschrijving	Description	Description	Description	Descripción
1	Sleutelschakelaar	Interrupteur à clé	Key switch	Key switch	Interruptor llave
2	Hoofdschakelaar	Interrupteur général	Master switch	Master switch	Interruptor general
3	Schakelaar borstelmotor	Interrupteur brosse	Brush switch	Brush switch	Interruptor motor cepillo
4	Schakelaar zuigmotor	Interrupteur aspiration	Suction switch	Suction switch	Interruptor motor succion
5	Batterijcontrole	Controle batteries	Battery control	Battery control	Señal baterias
6	Automatische zekering	Disjoncteur	Contact breaker	Contact breaker	Disyuntor
7	Diode	Diode	Diode	Diode	Diode
8	Electronische kaart tractie	Carte électronique traction	Chopper card traction	Chopper card traction	Ficha chopper
9	Pot-meter snelheid	Potentiomètre vitesse	Pot-meter speed	Pot-meter speed	Potenciometro
10	Laadstekker	Connecteur de charge	Charger plug	Charger plug	Conectador carga
11	Contactblokje	Bloque de contact	Contact	Contact	Caja de bornes
12	Zekering 80A	Fusible 80A	Fuse 80A	Fuse 80A	Fusible 80A
13	Batterij 24V	Batterie 24V	Battery 24V	Battery 24V	Bateria 24V
14	Zuigmotor	Moteur aspiration	Suction motor	Suction motor	Motor succion
15	Relais	Relais	Remote control switch	Remote control switch	Rele
16	Relais	Relais	Remote control switch	Remote control switch	Rele
17	Vlotter	Flotteur	Float	Float	
18	Tractiemotor	Moteur de traction	Traction motor	Traction motor	Motor tración
19	Borstelmotor	Moteur de brosse	Brush motor	Brush motor	Motor cepillo
20	Aut.zekering borstelmotor	Disjoncteur moteur de brosse	Contact breaker brush motor	Contact breaker brush motor	Disyuntor motor cepillo