

# GD 1000

---

Model:

GD 1005

GD 1010

GDS 1010

HDS 1005

HDS 1010

Nilfisk mop GD 1000



Part List US-English

06-08-2009

# Table of Contents

GD 1000

<b>Motor and cord types, all models</b>	<b>3</b>
<b>Upper parts, all models</b>	<b>5</b>
<b>Electric operating switch units</b>	<b>7</b>
<b>Filterl, HEPA filter and sound suppressors</b>	<b>9</b>
<b>Bottom parts</b>	<b>11</b>
<b>Accessories: nozzles, tubes, hoses and dust bags</b>	<b>13</b>
<b>Accessories: NILFISKMOP</b>	<b>15</b>
<b>Accessories: nozzles, special consumer</b>	<b>17</b>

# Motor and cord types, all models

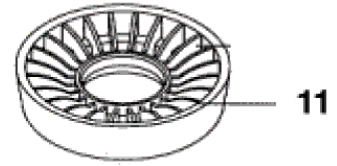
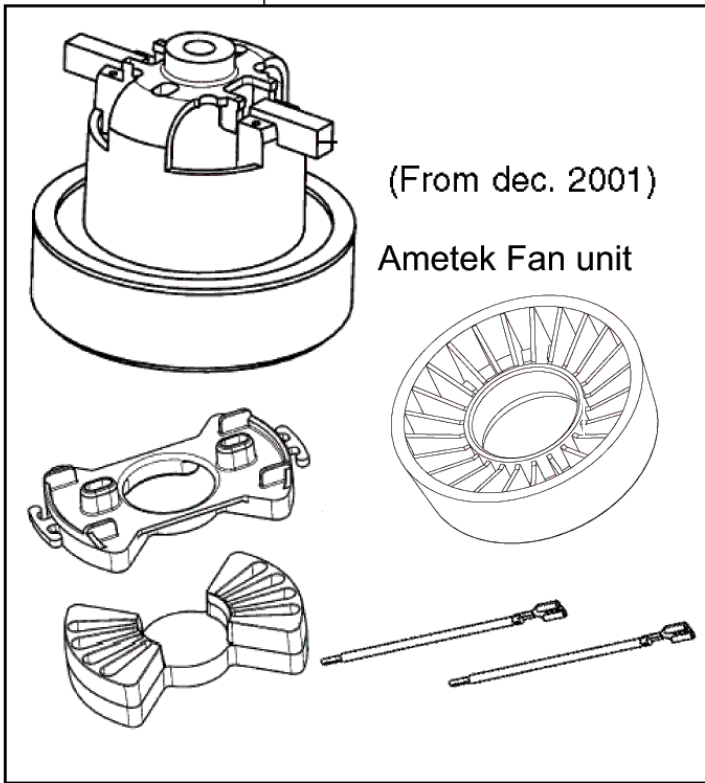
GD 1000

06-08-2009

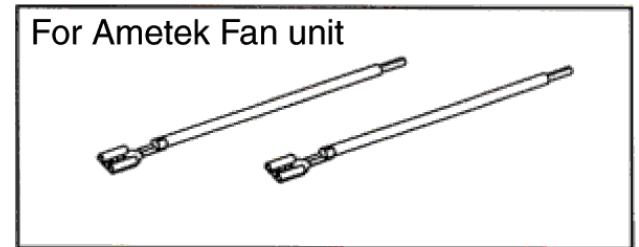
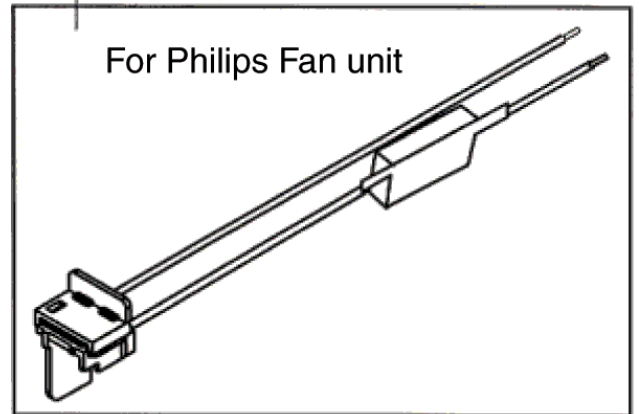
Part List ID B2332

3

1A

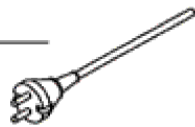


2A  
2B

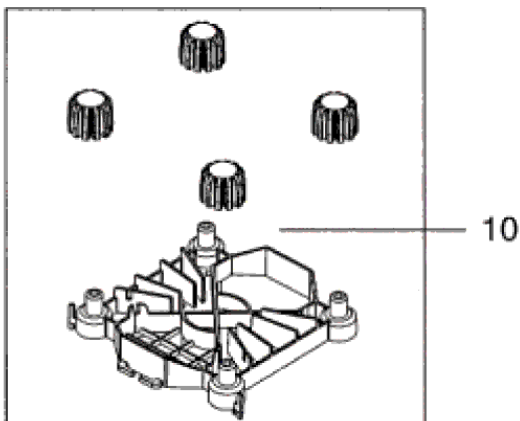


2C

3



For Philips Fan unit



	Voltage	Plug type	
Europa	250		
UK	250		
AUS/NZ	250		
CH	-		
USA/Japan	120		
Italy	250		

# Motor and cord types, all models

GD 1000

06-08-2009

Part List ID

B2332

4

Pos	Part no.	Qty	Description	EAN
3	12003801	1	CORD SET EU CPL. L 15M	5715492003
3	12003802	1	CORD SET UK CPL. L 15M	5715492003
3	12003803	1	CORD SET AU/NZ CPL. L 15M	5715492003
3	12003804	1	CORD SET CH CPL. L 15M	5715492003
3	12003805	1	CORD SET US/JP CPL. L 15M	5715492003
3	12003806	1	CORD NO PLUG L 15M	5715492003
3	12003807	1	CORD SET IT CPL. L 15M	5715492003
3	12003809	1	CORD SET US/JP AWG16 L 15M	5715492011
3	12222501	1	CORD SET EU L 10M	5715492008
3	12222503	1	CORD SET UK L 10M	5715492008
3	12222506	1	CORD SET AU/NZ L 10M	5715492008
3	12222507	1	CORD SET CH L 10M	5715492008
3	82003815	1	CABLE 15MTR ORANGE GD1005FOR RUSSIAN RAILWAY	
10	22231100	1	MOTOR GROMMETS AND FRAME	5715492007
11	22399800	1	GASKET FOR INLET	5715492014
1A	22352200	1	MOTOR 230V KIT KING/GD 1000	7319519623
1A	22352201	1	MOTOR 100-120V	7319519641
2A	12117900	1	INT. WIRE KIT	5715492003
2B	12118000	1	INT. WIRE KIT	5715492003
2C	22388400	1	INT. WIRE KIT FOR AMETEK FAN	5715492017

**Note:**

The motor fan unit kit of 22352200 is altered. The gasket and motor fixation is now included in this kit.

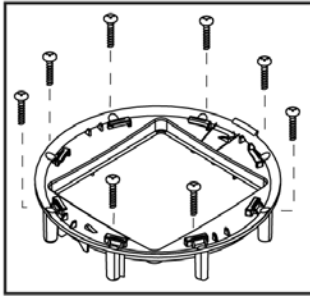
# Upper parts, all models

GD 1000

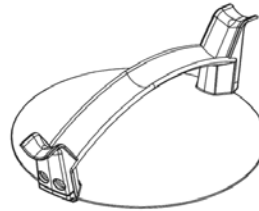
06-08-2009

Part List ID B2334

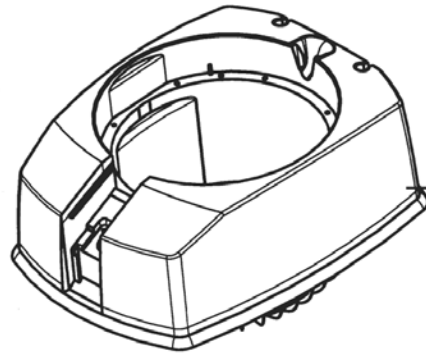
5



10



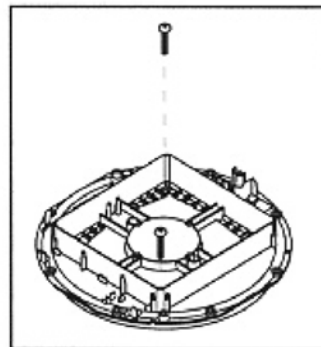
3



2



1



15

# Upper parts, all models

GD 1000

06-08-2009

Part List ID

B2334

6

Pos	Part no.	Qty	Description	EAN
1	12004300	1	LOCK ASSEMBLY	5715492003
2	12010700	1	UPPER PART GD 1000 LIGHT GREY	5715492023
3	12001200	1	HANDLE COVER W.CORD HOLDER	5715492003
10	22231000	1	TOP COVER	5715492007
10	22231001	1	TOP COVER DARK GREY	7319519619
15	22299601	1	MOTOR COVER	5715492017

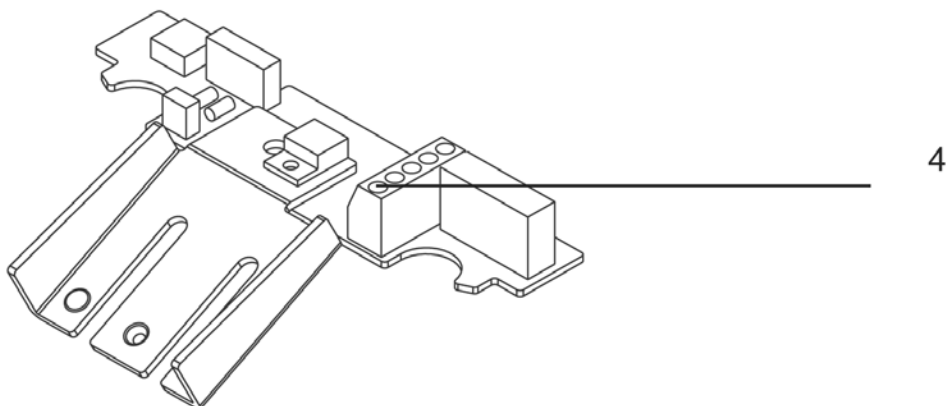
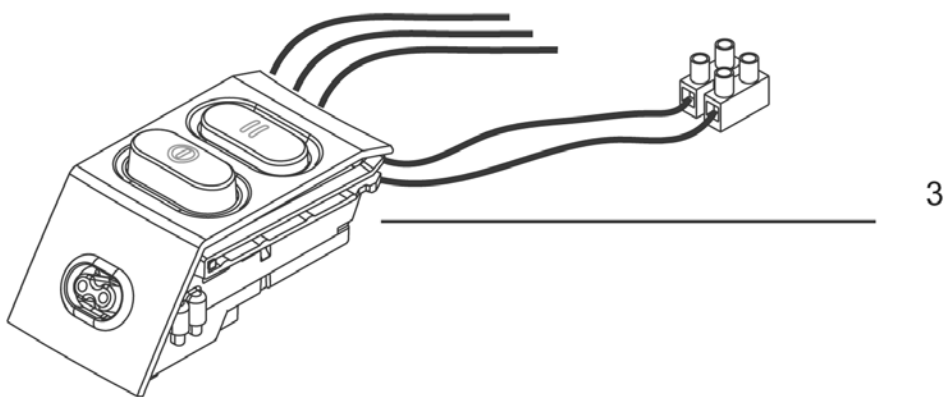
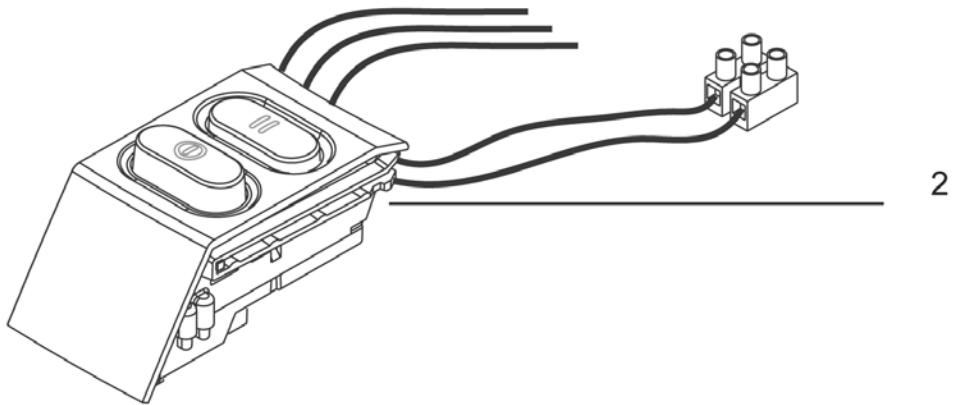
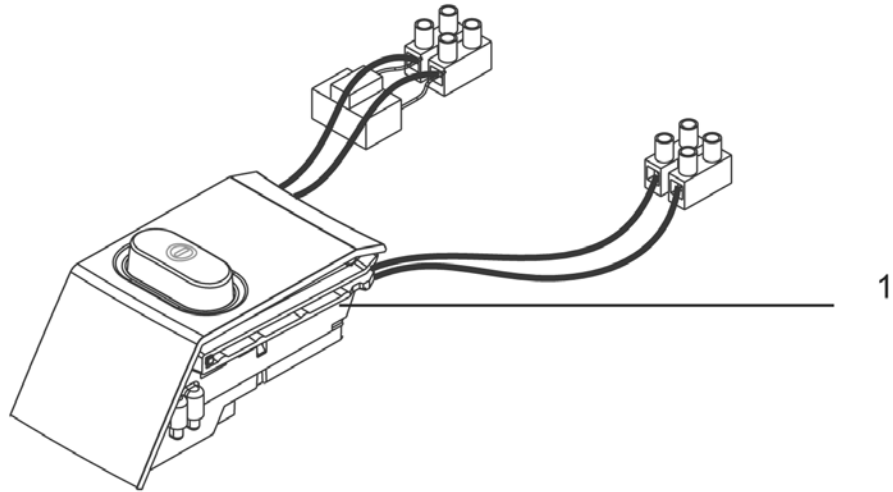
# Electric operating switch units

GD 1000

06-08-2009

Part List ID B2336

7



# Electric operating switch units

GD 1000

06-08-2009

Part List ID

B2336

8

Pos	Part no.	Qty	Description	EAN
1	12019610	1	ELECTRICAL UNIT GD 1005/1010	5715492009
2	12019710	1	ELECTRICAL UNIT GDS 1010	5715492008
3	12019810	1	EL UNIT HDS 1005	5715492008
4A	12010921	1	WIRING BOARD 2SPEED AMETEK FAN	5715492017
4A	12010922	1	WIRING BOARD 2SPEED AMETEK FAN	5715492017
4A	12010924	1	WIRING BOARD 2SPEED AMETEK FAN	5715492017
4A	12010925	1	WIRING BOARD 2SPEED AMETEK FAN	5715492017



# Filterl, HEPA filter and sound suppressors

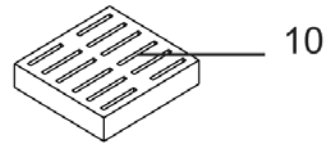
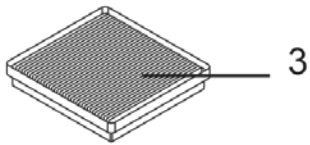
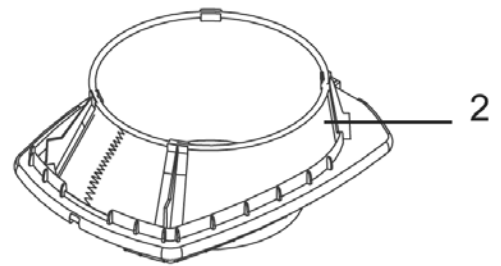
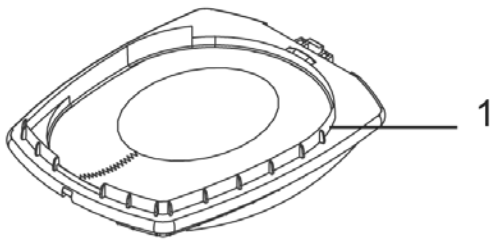
GD 1000

06-08-2009

Part List ID

B2338

9



# Filterl, HEPA filter and sound suppressors

GD 1000

06-08-2009

Part List ID B2338

10

Pos	Part no.	Qty	Description	EAN
1	12014103	1	FILTER UNIT GREEN 1200 CM2	5715492013
1	12014201	1	FILTER UNIT BLUE 1200 CM2	5715492013
2	12014301	1	FILTER UNIT BLUE 2300 CM2	5715492013
3	12015500	1	HEPA FILTER HDS 1005	5715492003
10	22230900	1	SOUND SUPPRESSOR UPPER	5715492007

NOTE Part number 22299301 sound suppressor for Philips fan unit is depleted. This suppressor is replaced by 22299302 sound suppressor for Philips and Ametek fan.

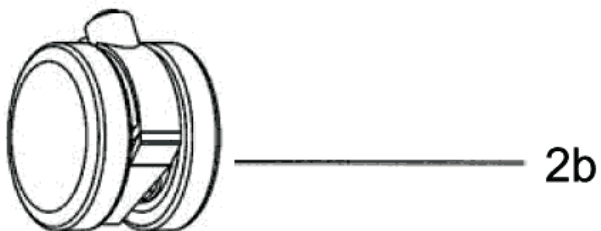
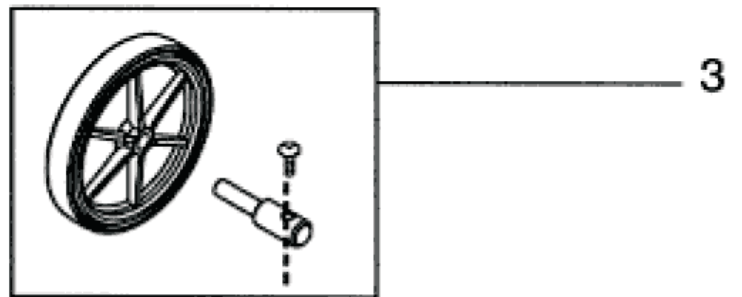
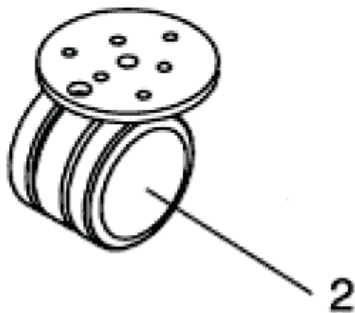
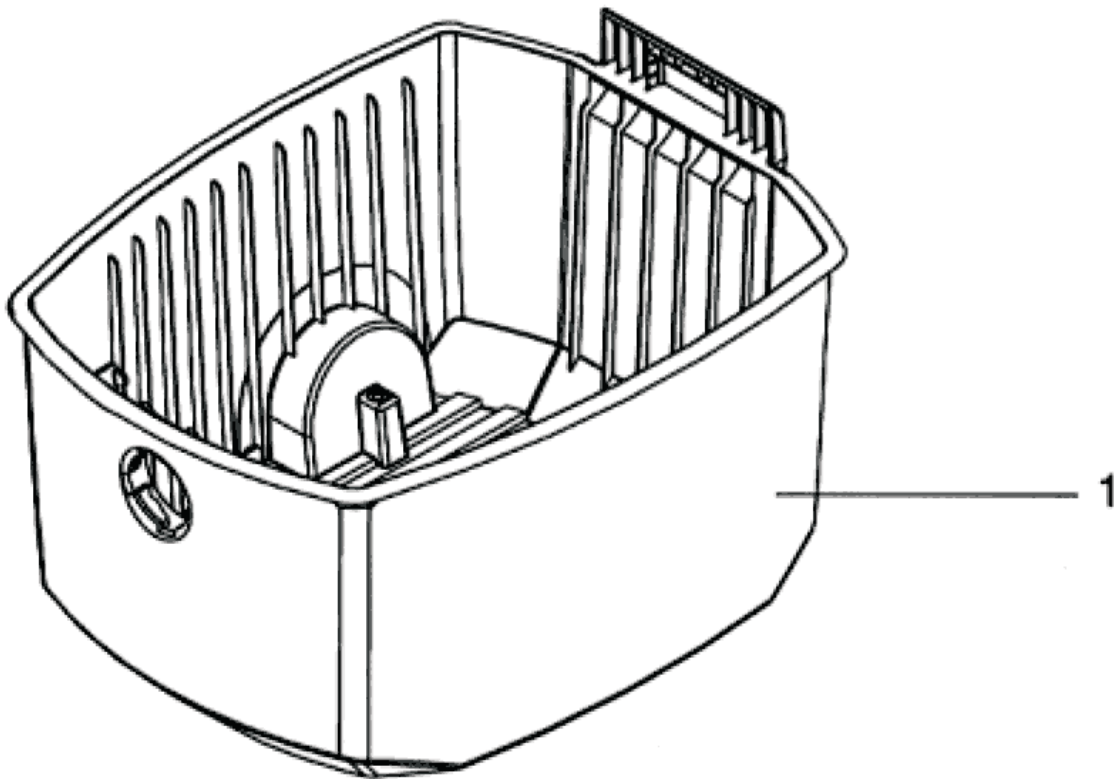
# Bottom parts

GD 1000

06-08-2009

Part List ID  
B23310

11



# Bottom parts

GD 1000

06-08-2009

Part List ID  
B23310

12

Pos	Part no.	Qty	Description	EAN
1	12000500	1	CONTAINER 8.75 LITRE	5715492023
1	12000502	1	CONTAINER 5L DUST BAG LOCK	5715492024
1	12000600	1	CONTAINER 16 LITRE	5715492023
1	12000602	1	CONTAINER 10L DUST BAG LOCK	5715492024
1	22246700	1	CONTAINER 5L HEAVY DUTY	5715492008
1	22246800	1	CONTAINER 10L HEAVY DUTY	5715492008
2	147 1040 500	1	FRONT WHEEL KIT POWER/EXTREME.	7319519656
			includes 3 screws	
3	12009300	1	FIXED WHEELS FOR GD 1000/GS 90	5715492003
2B	147 1040 510	1	FRONT WHEEL KIT WITHOUT AXLE	7319519660

# Accessories: nozzles, tubes, hoses and dust ba

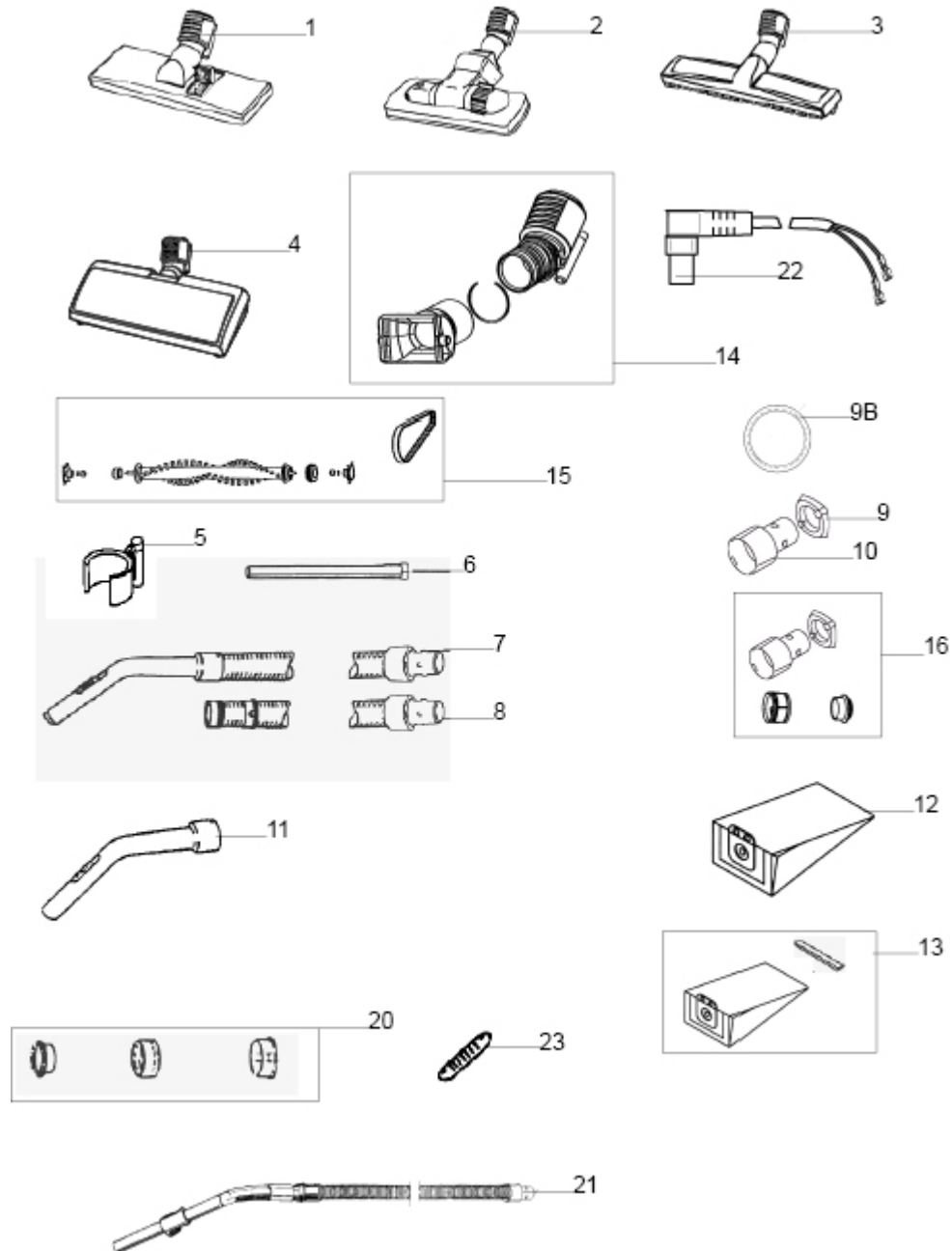
GD 1000

06-08-2009

Part List ID

B23312

13



# Accessories: nozzles, tubes, hoses and dust ba

GD 1000

06-08-2009

Part List ID

B23312

14

Pos	Part no.	Qty	Description	EAN
1	12019401	1	COMBI NOZZLE 32MM	5715492003
2	12018501	1	COMBI NOZZLE 32 MM	5715492003
3	12017001	1	NOZZLE F. HARD FLOOR 32 MM	5715492003
4	12010100	1	ELEC. NOZZLE	5715492003
4	82220700	1	ELECTRO FL. NOZZ. 100-120V	5715492014
5	12018201	1	PARKING CLIP	5715492003
6	11112401	1	EXTENSION TUBE CPL.	5715492003
7	12018001	1	HOSE 38/32 W. CURVED TUBE GD	5715492003
8	22042401	1	HOSE 38/32 WITH GD-COUPLING	5715492003
9	11542001	1	GASKET GS/GD COUPLING	5715492003
10	12018101	1	HOSE COUPLING F. HOSE 38MM	5715492003
11	21640503	1	BENDED TUBE WITH SHUTTER GREY	5715492003
12	82016801	1	DUST BAGS 5LBOX OF 250 UNITS	
12	82016901	1	DUST BAGS 10LBOX OF 250 UNITS	
12	82222900	1	BAG 10 L WITH CLOSURE 5 PCS.	5715492007
12	82367805	1	DUST BAG SET 5 PCS GD1005	5715492012
13	22251800	1	DUST BAG CLOTH KIT GD 1000	7319519627
14	22367500	1	KOBLING FOR R Ø R GD1000	
15	22365000	1	BRUSH AND DRIVE BELT KITSET	
16	147 0210 520	1	HOSE CONNECTOR KIT DARK GREY	7319519657
20	22350900	1	RINGS F.TAPERED OR CONIC	5715492010
21	82321300	1	HOSE PLASTIC 2M CPL.	7319519631
22	22201500	1	CABLE FOR ELECTRO NOZZ.	5715492006
23	22351000	1	SHUTTER FOR BEDNED TUBE.GREY	5715492010
9B	010 9299 540	1	GASKET CPL	7319519666

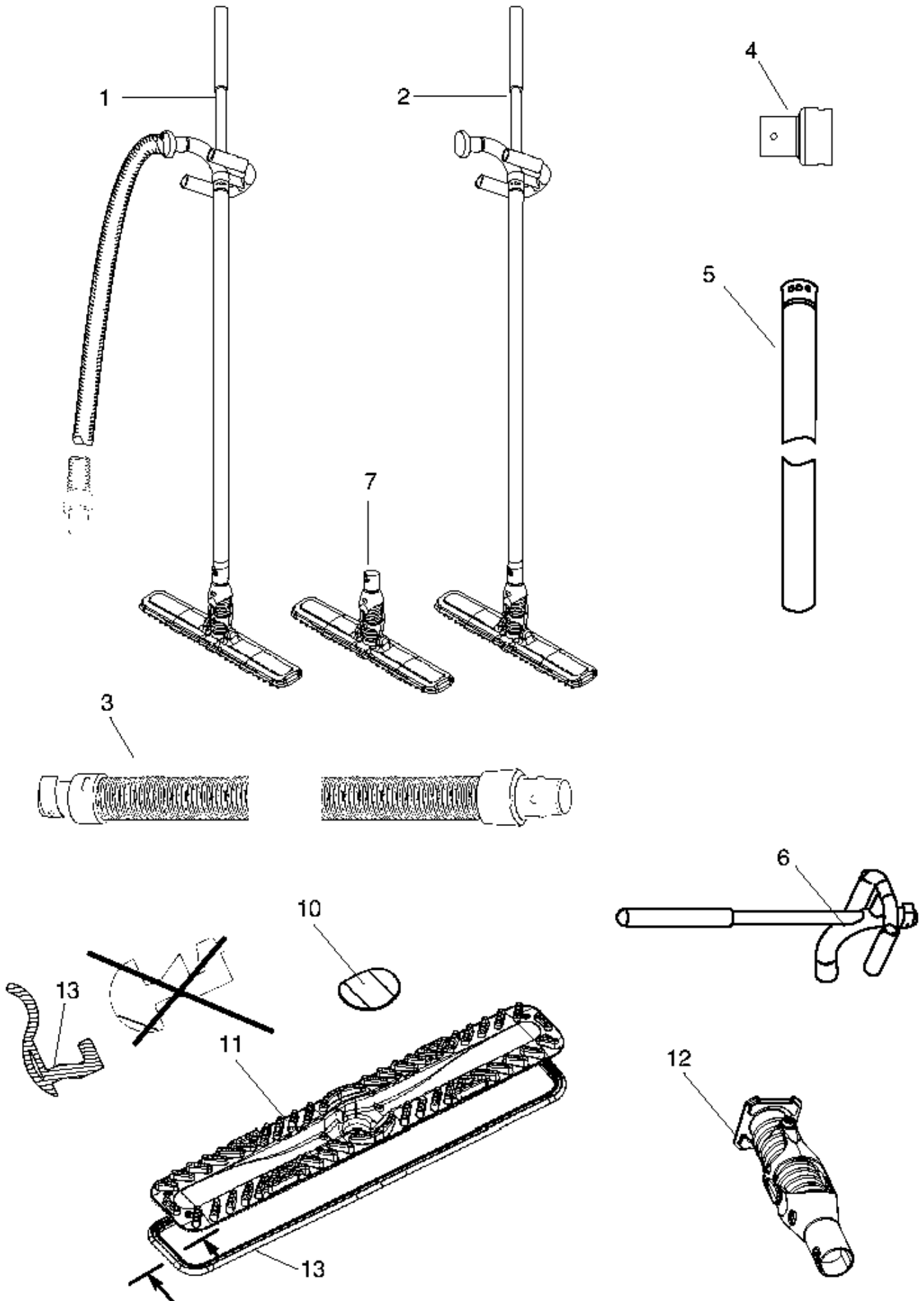
# Accessories: NILFISKMOP

06-08-2009

Part List ID  
B23314

GD 1000

15



# Accessories: NILFISKMOP

GD 1000

06-08-2009

Part List ID  
B23314

16

Pos	Part no.	Qty	Description	EAN
1	17830000	1	NILFISK MOP GD1000	5715492005
1	17830001	1	NILFISK MOP GD1000	5715492005
1	17830002	1	NILFISK MOP GD1000	5715492005
2	17830007	1	MOP WITHOUT HOSE 1000 MM MED.	5715492005
3	62139100	1	PLASTIC HOSE GD 1000-SERIES	5715492005
4	82149500	1	ADAPTOR FOR NUMATIC	5715492005
4	82149600	1	HOSE CPL MOP GD 930/S2	5715492005
4	82149700	1	ADAPTOR FOR TASKI	5715492005
5	62188100	1	TUBE LENGTH 800 MM	5715492005
5	62188300	1	TUBE LENGTH 1180 MM	5715492005
5	62188300	1	TUBE LENGTH 1180 MM	5715492005
6	62188400	1	HANDLE	5715492005
7	22201800	1	MOP NOZZLE	5715492006
11	22144600	1	FOOT PLATE WITH FENDER	5715492005
12	22144300	1	FLEXIBLE NECK	5715492005
13	22145500	1	FENDER LIST	5715492007



# Accessories: nozzles, special consumer

GD 1000

06-08-2009

Part List ID

B23316

17

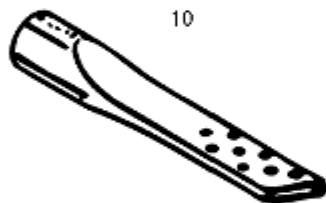
1



2



10



11



12



# Accessories: nozzles, special consumer

GD 1000

06-08-2009

Part List ID

B23316

18

Pos	Part no.	Qty	Description	EAN
1	32043700	1	UPHOLSTERY NOZZLE	5715492002
2	11276901	1	BRUSH ROUND GREY 100 NATU	5715492005
2	22103600	1	ROUND BRUSH BLUE BRISTLES	5715492002
2	22302500	1	ROUND BRUSH	5715492009
10	81530400	1	CREVICE NOZZLE WIDTH 245 MM	7319519604
11	11530500	1	RADIATORBØRSTE	
12	81140900	1	CREVICE NOZZLE KIT	7319519658