

GD 910

Model:
GD 910



Part List US-English

07-07-2009

Table of Contents

GD 910

Cover and container parts	3
Filters, fan units and cordset	5
Nozzles, hoses and tubes 32 mm	7

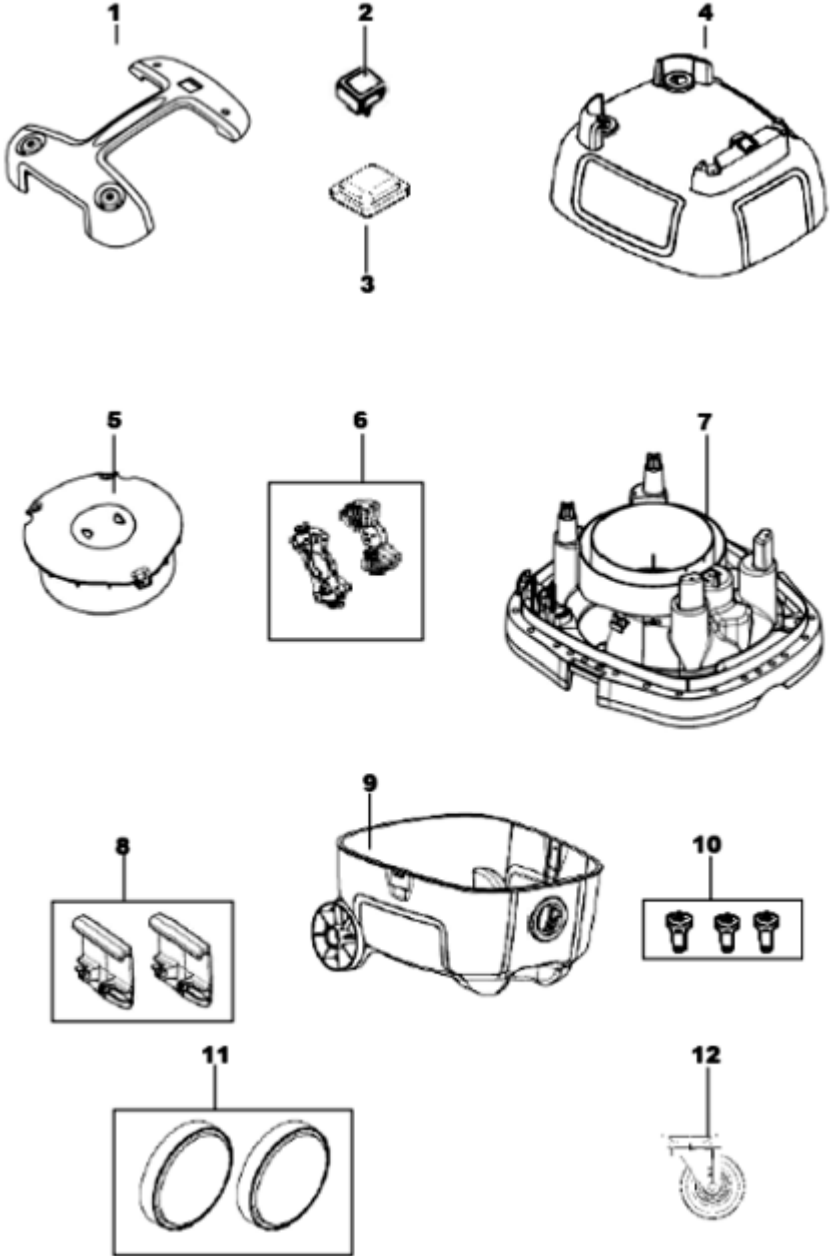
Cover and container parts

GD 910

07-07-2009

Part List ID B6313

3



Cover and container parts

GD 910

07-07-2009

Part List ID

B6313

4

Pos	Part no.	Qty	Description	EAN
1	147 0654 500	1	HANDLE GD 910	7319519651
2	140 5496 510	1	SWITCH UL KIT	7319519631
3	140 5497 000	1	SWITCH PROTECTION	7319519387
4	147 0655 500	1	TOP COVER GD910	7319519651
4	147 0655 510	1	TOP COVER GD910 UL	7319519651
5	147 0659 500	1	NOISE TRAP GD910	7319519651
5	147 0659 510	1	NOISE TRAP GD910 UL	7319519651
6	147 0660 500	1	MOTOR SUSPENSION KIT	7319519652
7	147 0656 500	1	CHASSIS GD910	7319519651
7	147 0656 510	1	CHASSIS GD910 UL	7319519651
8	147 0677 500	2	LATCHES KIT GD910	7319519651
9	147 0657 500	1	CONTAINER CPL GD910	7319519651
10	140 9214 500	11	SCREW KIT PT K 40X14 FZB	7319519651
11	140 8458 500	2	WHEEL REAR KIT	7319519632
12	140 8445 500	1	CASTOR WHEEL KIT	7319519629

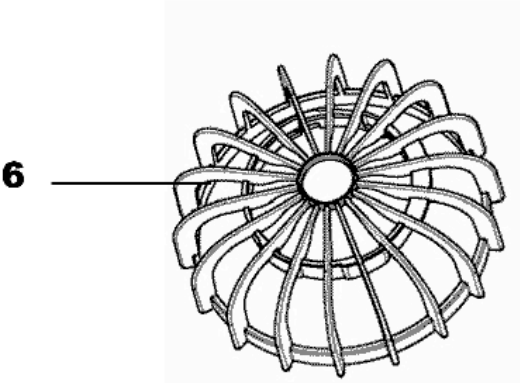
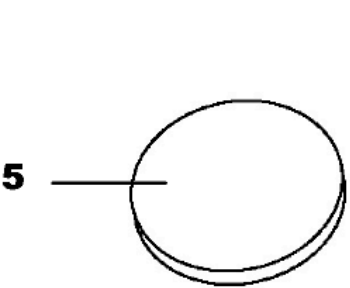
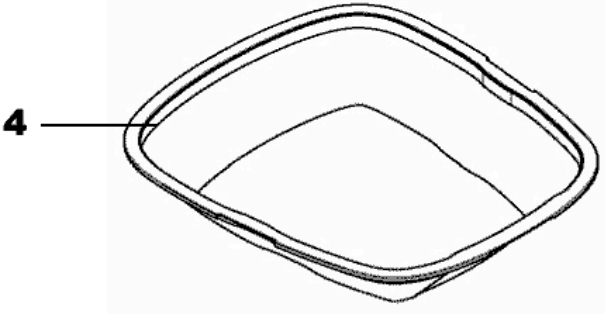
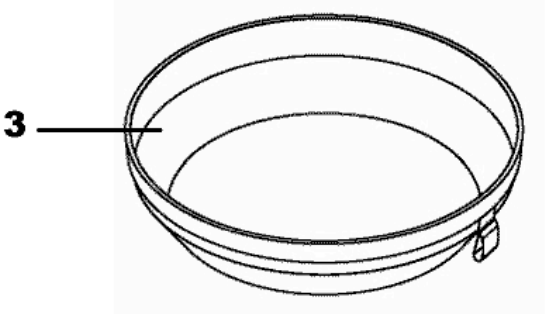
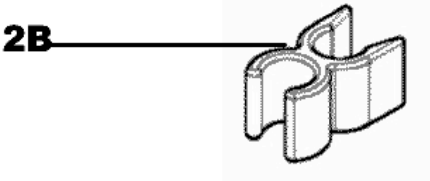
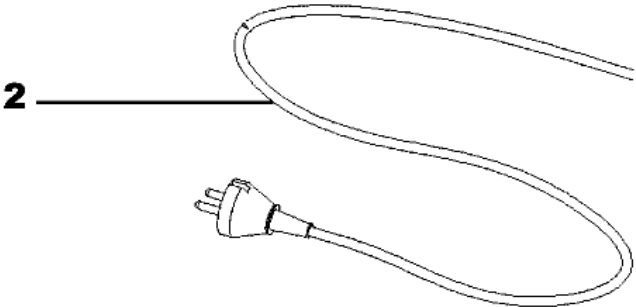
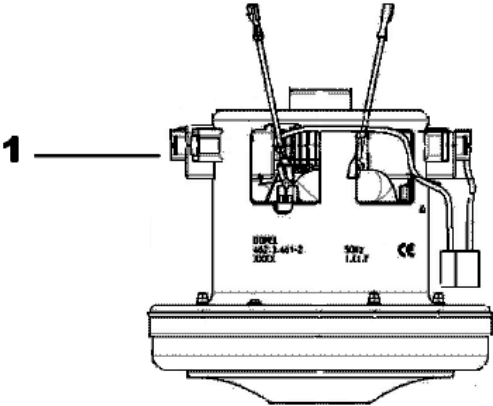
Filters, fan units and cordset

GD 910

07-07-2009

Part List ID B6315

5



Filters, fan units and cordset


GD 910

07-07-2009

Part List ID

B6315

6

Pos	Part no.	Qty	Description	EAN
 1	147 1152 500	1	FAN UNIT 220-240V NILFISK	7319519661
1	147 1167 500	1	FAN UNIT 120V NILFISK GD910	7319519661
1	147 1167 500	1	FAN UNIT 120V NILFISK GD910	7319519661
1	147 1168 500	1	FAN UNIT 100V NILFISK	7319519661
2	12222501	1	CORD SET EU L 10M	5715492008
2	12222503	1	CORD SET UK L 10M	5715492008
2	12222506	1	CORD SET AU/NZ L 10M	5715492008
2	140 6702 500	1	CORD SET JP 15.5M	7319519651
2	147 0504 500	1	CORD SET CN 10 5M	7319519651
2	147 0716 510	1	CORD SET US/TW 10.5M	7319519651
3	147 0663 500	1	SACK FILTER INNER GD910	7319519651
4	147 0678 500	1	SACK FILTER OUTER GD910	7319519651
5	147 0670 500	3	FILTER MOTOR KIT	7319519651
6	147 0669 500	1	BASKET SACK FILTER	7319519651
2B	147 0808 500	1	CORD CLIP KIT	7319519656
2B	147 0808 510	1	CORD CLIP KIT.JP	7319519656

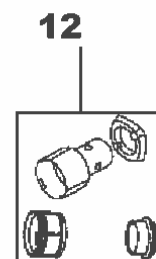
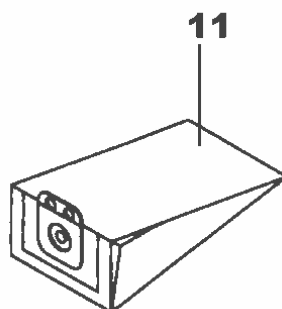
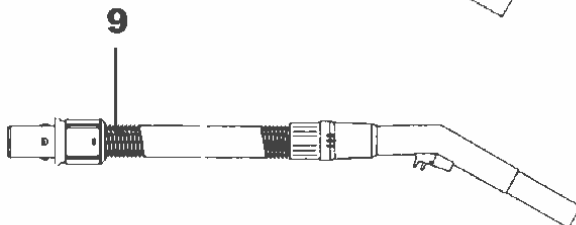
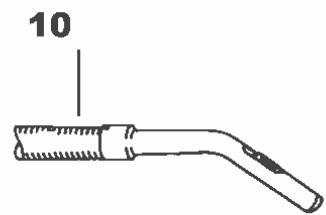
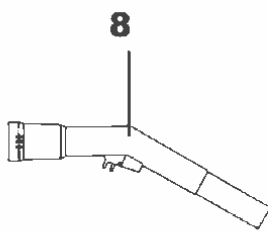
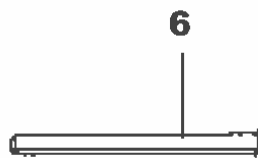
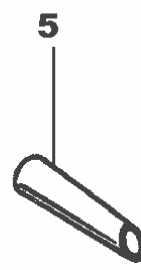
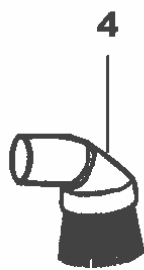
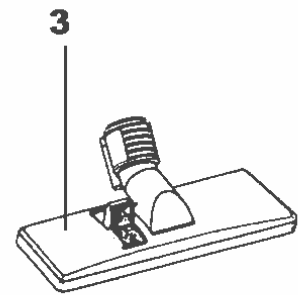
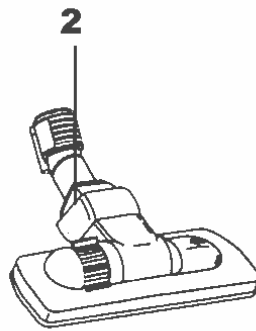
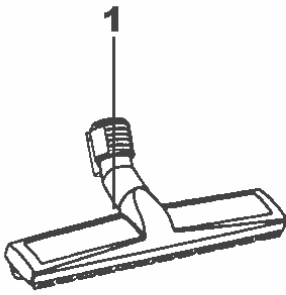
Nozzles, hoses and tubes 32 mm

GD 910

07-07-2009

Part List ID B6317

7



Nozzles, hoses and tubes 32 mm

GD 910

07-07-2009

Part List ID

B6317

8

Pos	Part no.	Qty	Description	EAN
1	140 6700 540	1	NOZZLE MULTI SURFACE 32 MM	7319519636
2	12018503	1	NOZZLE DE LUX W. CLIP GREY	7319519632
3	12019401	1	COMBI NOZZLE 32MM	5715492003
4	11276901	1	BRUSH ROUND GREY 100 NATU	5715492005
5	22302100	1	CREVICE NOZZLE BLACK	5715492009
5	81140900	1	CREVICE NOZZLE KIT	7319519658
6	011 6431 500	1	EXTENSION TUBE ALUMINIUM	7319519631
6	140 8246 000	1	EXTENSION TUBE CHROME STEEL	7319519300
6	140 8246 040	1	EXTENSION TUBE STEEL D32	7319519607
7	81906500	1	TUBE TELESC.LENGTH MAX 1130 MM	5715492011
8	140 7584 500	1	HOSE HANDLE CPL.	7319519631
9	147 0765 500	1	HOSE CPL BLACK	7319519651
10	12018001	1	HOSE 38/32 W. CURVED TUBE GD	5715492003
11	140 8618 000	10	DUST BAG 10L 10 PCS	7319519628
11	22251800	1	DUST BAG CLOTH KIT GD 1000	7319519627
12	147 0210 520	1	HOSE CONNECTOR KIT DARK GREY	7319519657
4B	140 8244 500	1	BRUSH NOZZLE KIT	7319519658