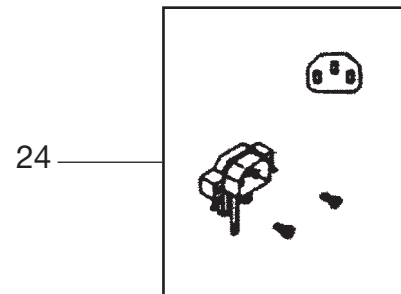
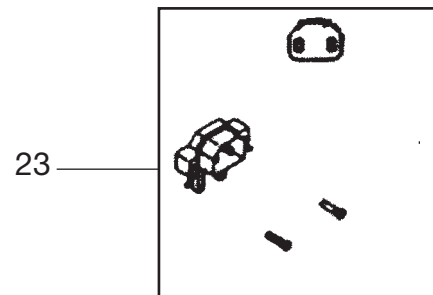
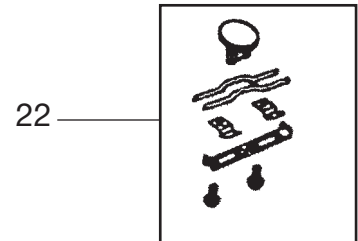
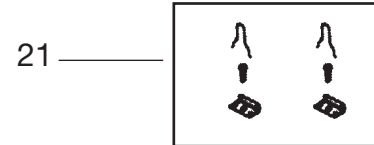
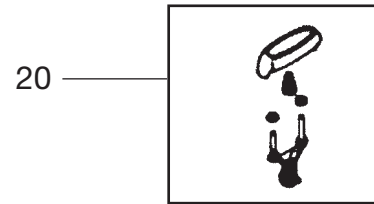
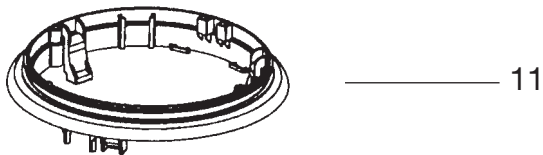
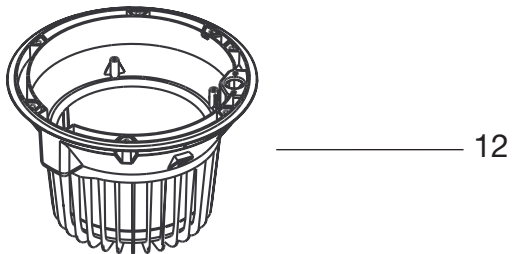
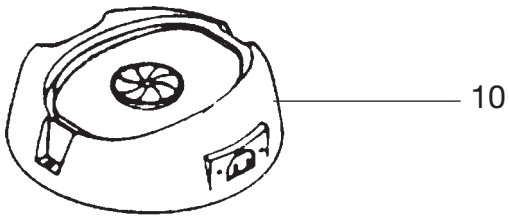
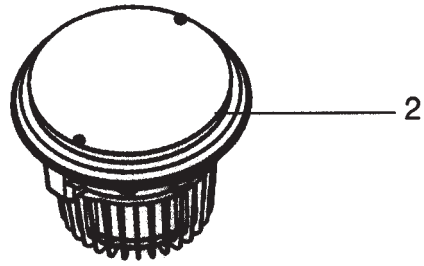
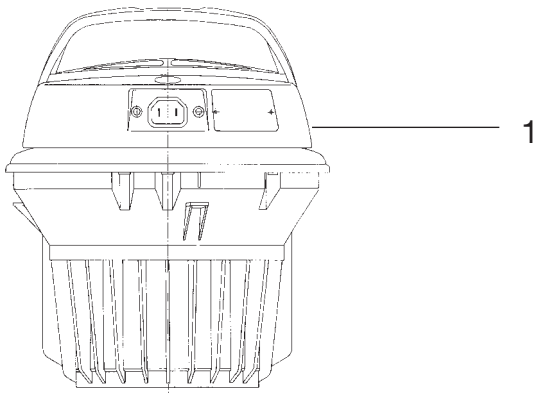


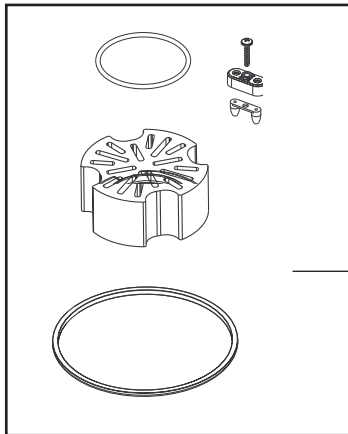
DESCRIPTION	PLAN
Motor head, all models	B - 3.9.3 - 2
Motor and on/off switch	B - 3.9.3 - 4
Cords	B - 3.9.3 - 6
Dust bag and accessories	B - 3.9.3 - 8
Diffuser, filter	B - 3.9.3 - 10
Upper/lower container with accessories	B - 3.9.3 - 12
Hoses, connections and tubes, 38mm and 32mm	B - 3.9.3 - 14
Nozzles 32mm	B - 3.9.3 - 16

Spare Parts for Nozzles - see hose program

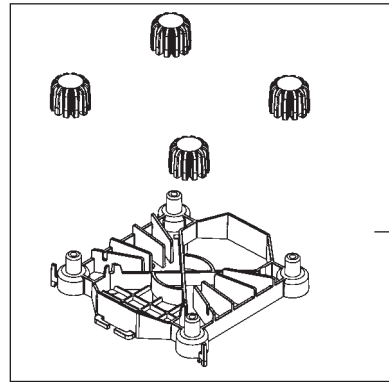


01-10	MOTOR SERVICE KIT, GS/GM 90P, COMMERCIAL	BOOK B		
02-10	MOTOR HEADS, ALL MODELS	B	3.9.3	3

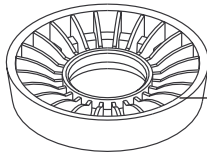
Pos.	Part No.	Qty.	Desc.1	Desc.2,	EAN
					005715492+
1	12108127	1	Motor gsp 100v.japan		+004164
1	12108129	1	Motor gsp 110-120v.ul		+004171
1	12108148	1	Motor gsp 200v.japan		+004218
1	12108153	1	Motor gsp 220-240v.eu/aus		+004195
1	12108229	1	Motor gsp w/cord ul		+004188
1	12108253	1	Motor gsp w/cord eu/aus		+004201
1	12108329	1	Motor gspj 110-120v.ul		+004270
1	12108348	1	Motor gspj 200v.japan		+004294
1	12108353	1	Motor gspj 220-240v.aus		+004287
1	12108429	1	Motor gsp 110-120v.ul		+007431
1	12108529	1	Motor gspj 110-120v.ul		
1	12108629	1	Motor gsp w/cord ul		
1	12110127	1	Motor gmp 100v.japan		+004263
1	12110129	1	Motor gmp 110-120v.ul		+004225
1	12110229	1	Motor gmp, fixed cord, ul		+004232
1	12110327	1	Motor gmpj 100v.japan		+004317
1	12110329	1	Motor gmpj 110-120v.ul		+004300
1	12110429	1	Motor gmp 110-120v. ce		
1	12112153	1	Motor gmp 220-240v.eu/aus		+004249
1	12112253	1	Motor gmp m.f.led.220-240		+004256
1	12112353	1	Motor gmpj 220-240v.eu-ud		+004324
10	22232300	1	Top housing for gs/gm	Motors	+007738
11	22232500	1	Support ring for gs/gm	Motors	+007745
12	22231200	1	Bottom housing with valve	For gs/gm motor	+007714
12	22231201	1	Bottom housing with valve	For gs/gm motor ul-appro.	+007721
20	22410500	1	On/off device for gs/gm	Motors	+018055
21	22410400	1	Locking device for handle	Gs/gm motors	+018048
22	20705300	1	Thermo valve compl.w.part	For motor head gs/ gm	+026241
23	20705400	1	Socket standard w.parts	For motor head gs/ gm	+026258
24	20705500	1	Socket earthed w.parts	For motor head gs/ gm	+026265



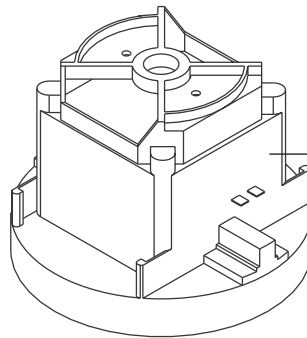
11



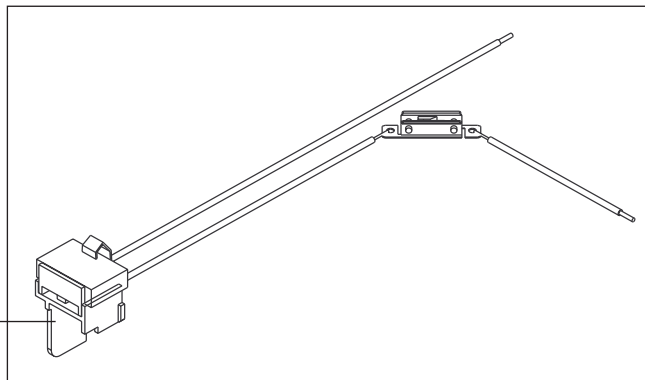
10



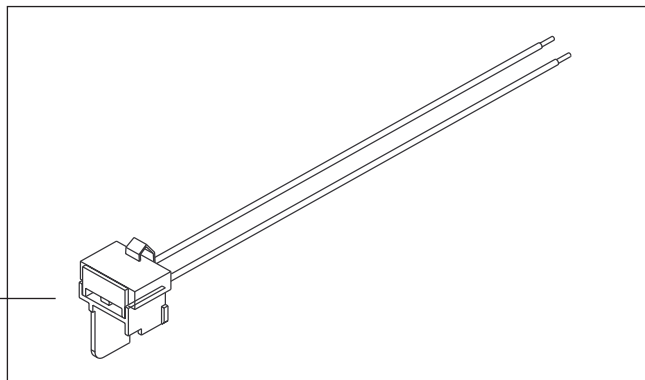
12



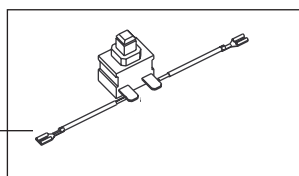
1



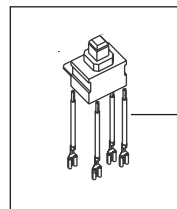
2



2



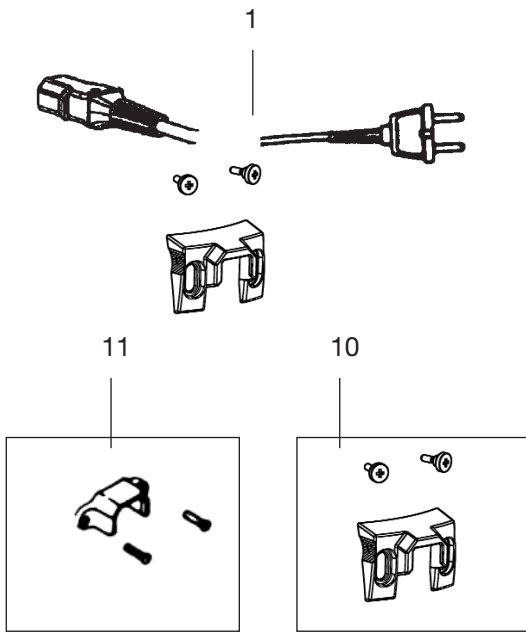
3



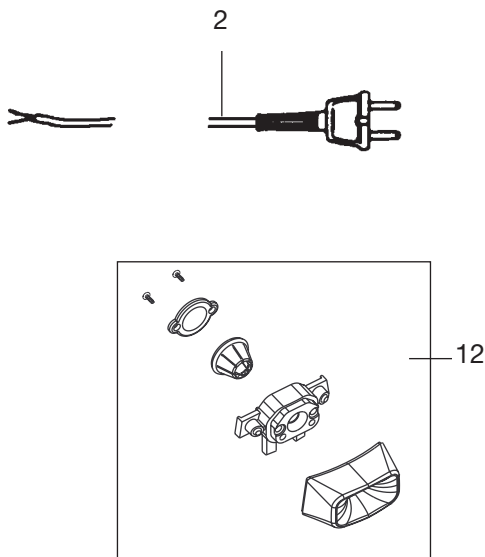
4

01-10	MOTOR SERVICE KIT, GS/GM 90P, COMMERCIAL	BOOK B		
02-10	MOTOR AND MOTOR WIRES	B	3.9.3	5

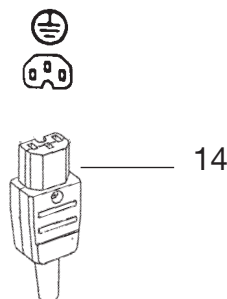
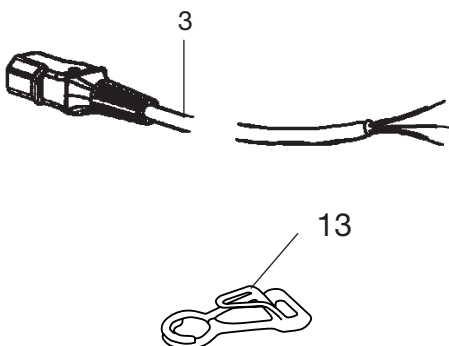
Pos.	Part No.	Qty.	Desc.1	Desc.2	EAN
					005715492
1	12125001	1	Motor gsp 100-120v		+003594
1	12125002	1	Motor gsp 200-240v		+003600
1	12125003	1	Motor 110-120v		+003020
1	12125005	1	Motor 220-240v		+003013
2	22130500	1	Wire kit/thermo switch ul	Only ul approved motor	+003563
2	22130501	1	Internal wire and	Capacitor	+006687
2	22130502	1	Internal wire and	Capacitor	
3	22131100	1	On/off switch 1-pole		+003570
4	22131200	1	On/off switch 2-pole		+003587
10	22231100	1	Motor suspension-phillips	Motors gm400/king/gd1000	+007691
11	22365300	1	Sound absorber and gasket	Gs/gm motor	+011865
12	22399800	1	Gasket for inlet	For phillips motor	+014187



Cord with plug/socket for bracket, item 10 or 11, for GM 80-90 series			
	Rating	Plug type	
EU	250		
UK	250		
AUS/NZ	250		
CH	250		
USA/CAN	120		
USA/CAN Grounded	120		
Italy Institutional	250		



Fixed cord for GD 90C only			
	Voltage	Plug type	
EU	250		
UK	250		
AUS/NZ	250		
CH	250		
USA/CAN	120		
Italy	250		



01-09	MOTOR HEAD SERVICE KIT, GS/GM 90P, COMMERCIAL	BOOK B		
	CORDS FOR MOTOR HEAD	B	3.9.3	7

Cord w. connector mounted (permanent with bracket item 11) or detachable with bracket item 10 to motor head

Item	Typical regional use	Type of cord	Part No. for domestic use	Part No. for institutional use	EAN code 5715492+
1	EU	2x1.0-7m	21548000	21545900	+011476
	EU	2x1.0-10m			+009596
	EU	2x1.0-30m			21584900
	UK	2x1.0-7m	21746500	21746600	+009626
	UK	2x1.0-10m			+009633
	US/CAN	2x18AWG-30ft	21952200	21952200	+009695
	US/CAN	3x18AWG-30ft			21827400
	AUS/NZ	2x1.0-7m	21905400	21905600	+009657
	AUS/NZ	2x1.0-10m			+009664
	CH	2x1.0-7m	21907900	21907800	+009688
	CH	2x1.0-10m			+009671
ITALY	2x1.0-10m		22146000	+011483	

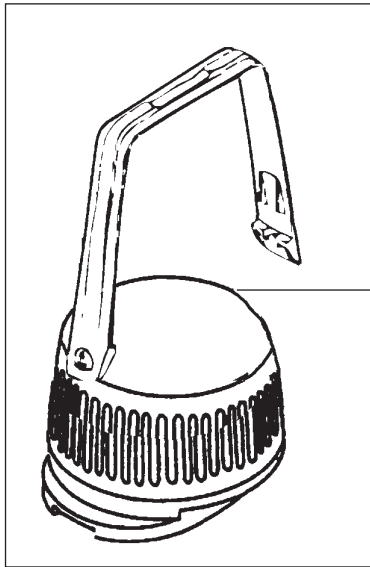
Fixed cord to be used with GMPC motor-heads for GD 90C

Item	Typical regional use	Type of cord	Part No. for institutional use	EAN code 5715492+
2	EU	2x1.0-10m	12141100	+003976
	UK	2x1.0-10m	12141200	+003983
	US/CAN	2x18AWG-30ft	12141400	+004003
	AUS/NZ	2x1.0-10m	12141300	+003990
	CH	2x1.0-10m	12141500	+004010
	ITALY	2x1.0-10m	12141600	+004027

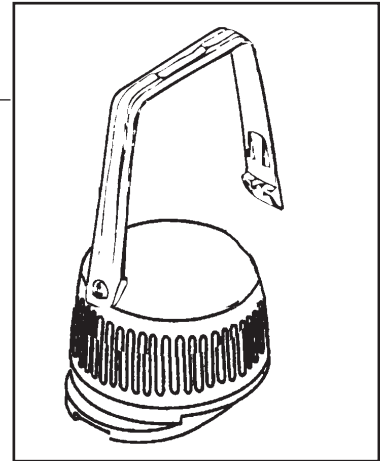
Item	Ref.No.	Description	Note	EAN code (5715492+)
10	22361000	Bracket with screws for detachable mounting of cords		+011469
11	22131600	Bracket with screws for permanent mounting of cords item 1		+003563
12	12141800	Cord clamp kit (GD 90C only)		+004409
13	82195800	Cord release	Plastic	
14	00191024	Replacement connector with grounded terminal (not to be used with brackets item No. 10 or 11)		

Cord with socket only, no plug

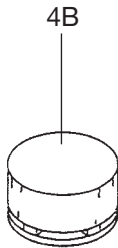
Item	Type of cord	Part No. for domestic use	Part No. for institutional use	EAN code 5715492+
3	3x1.0-10m (grounded)	21545400	21545700	+009701
	2x1.0-7m			+009589
	2x1.0-10m		21547900	+010400



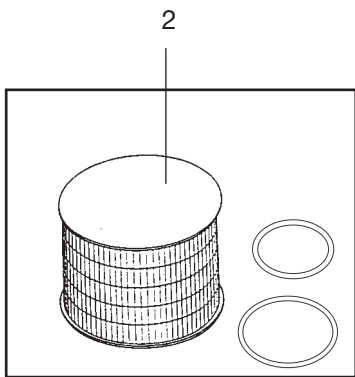
1



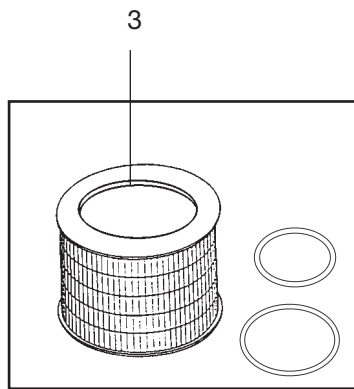
4



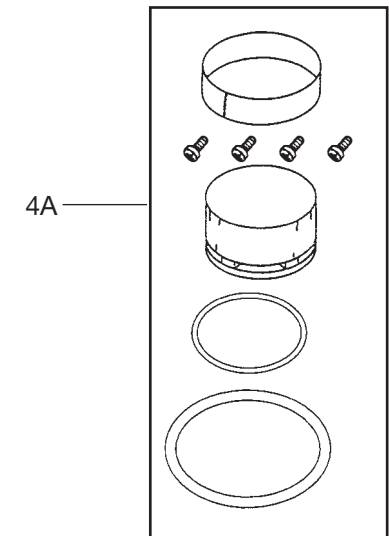
4B



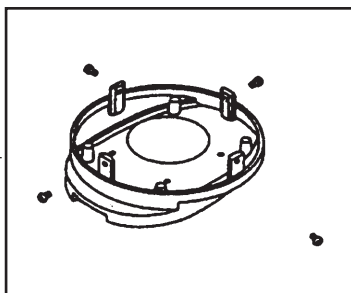
2



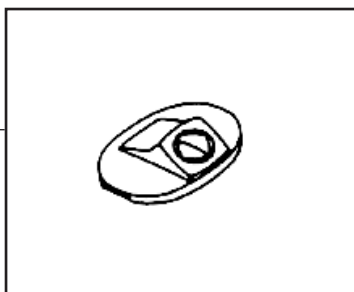
3



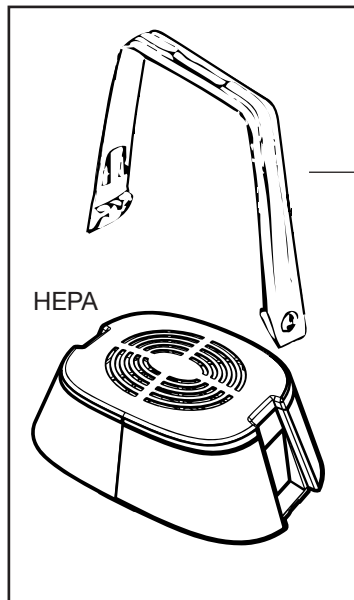
4A



9

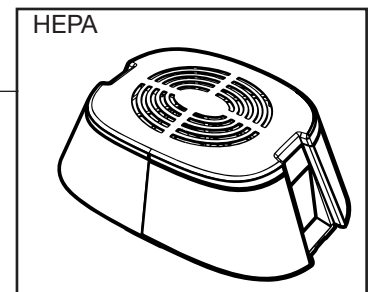


5



6

HEPA



7

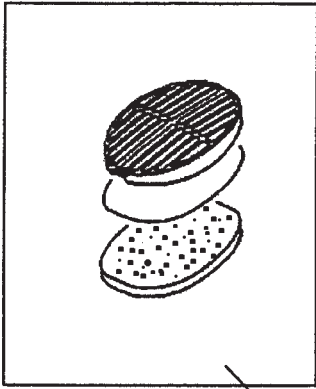
HEPA

01-10	MOTOR SERVICE KIT, GS/GM 90P, COMMERCIAL	BOOK B		
02-10	EXHAUST FILTERS AND SOUND SUPPRESSOR	B	3.9.3	9

Item	Ref.No.	Qty	Description	EAN code
				5715492
1	11731003	1	Mounting kit for exhaust filter	+00 3730
2	21738000	1	Exhaust filter element type HEPA with gaskets	+00 3747
3	21739000	1	Exhaust filter element type ULPA with gaskets	+00 3754
4	11750703	1	Sound suppressor complete	+00 3761
4A	22384100	1	Sound suppressor kit	+01 4835
>> 4B	21750900	1	Sound cartridge	
5	11562000	1	Blow coupling	+00 3549
6	82146700	1	Exhaust filter HEPA Starter kit Domestic use only	+00 5215
7	82147100	1	Exhaust filter HEPA Replacement kit Domestic use only	+00 5208
>> 9	22383900	1	Base for Filters	+01 4811

Note

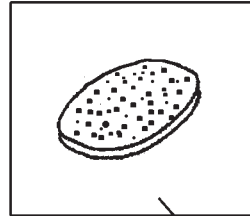
>> means: New or changed ref. no.



1



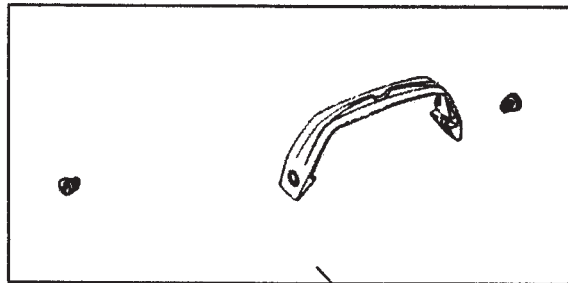
2



10



4



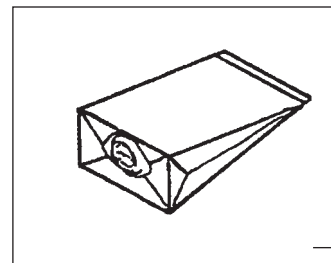
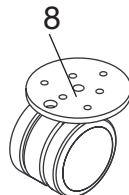
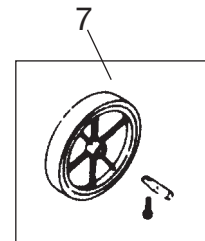
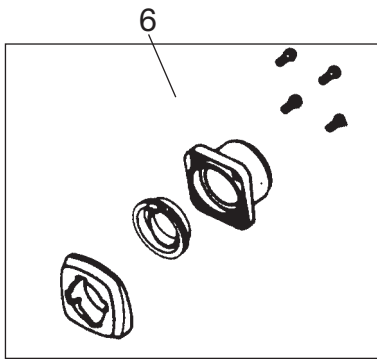
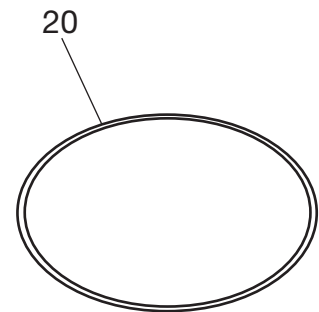
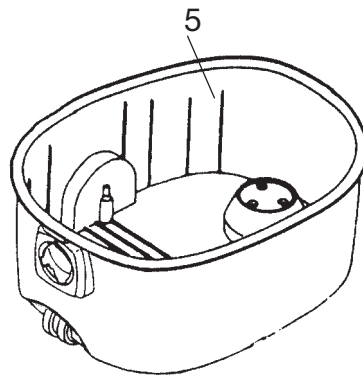
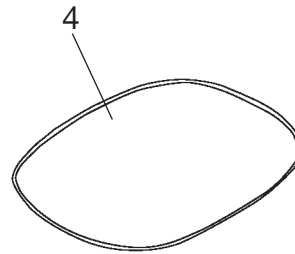
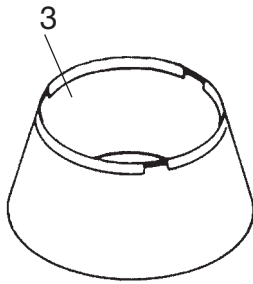
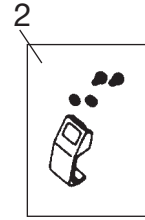
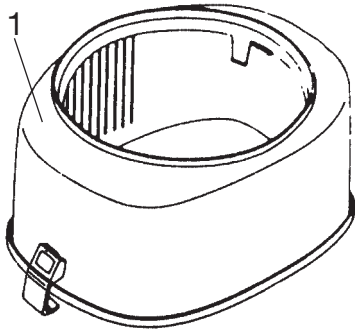
5

02-10	MOTOR HEAD SERVICE KIT, GS/GM 90P, COMMERCIAL	BOOK B		
02-11	DIFFUSER AND FILTER	B	3.9.3	11

Pos.	Part No.	Qty	Description	Note	EAN code
					005715492+
1	21573001	1	Exhaust with diffuser		+001033
2	11693700	1	Diffuser filters 2 pcs		+005994
4	11730400	1	Motor protection filter		+173044
5	22132000	1	Handle complete		+003532
>> 10	82135800	1	Diffuser pad	For gs/gm motor	+024124

Note

>> means: New or changed ref. no.

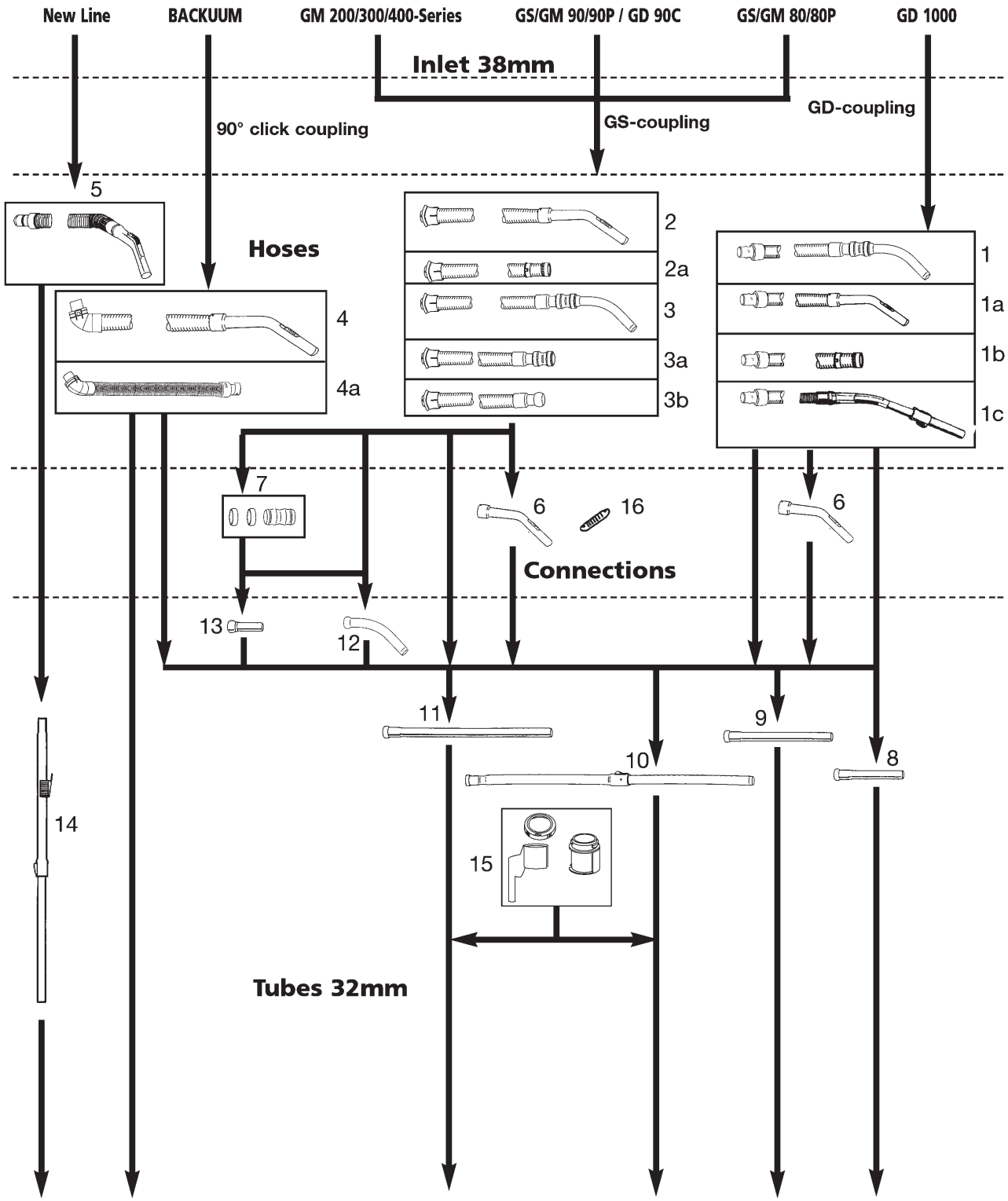


01-09	CONTAINER SERVICE KIT, GS/GM 90P, COMMERCIAL	BOOK B		
	UPPER / LOWER CONTAINER WITH ACCESSORIES	B	3.9.3	13

Pos.	Part.No.	Qty	Desc. 1	Desc. 2	EAN code 005715492+
0	81718001	1	Cardboard box packing	F. gs/gm 80/90 proff	+017997
1	22142000	1	Upper container gd90c	With filter	+004089
2	22142100	1	Clip for gs/gm 90 2 pcs.		+004072
3	61588200	1	Cotton filter 90 series	2200 cm¥2	+004102
4	81991300	1	Cotton filter gs 90 c	800 cm¥2	+004096
5	22142200	1	Lower container dark grey		+004065
6	22142300	1	Bayonet inlet complete	80-90 series	+004058
7	12009300	1	Fixed wheel for gd 1000	And gs/gm 90 series	+003297
8	22136000	1	Swivel wheel for gs/gm 90		+004423
13	81620000	1	Dust bag 6,5 litres 5 pcs		+002665
20	82190600	1	Gasket for motor head		

Part List remarks:

Pos No.0 = Not shown



See New-Line nozzles

See nozzles for 32mm

02-03	GS/GM 90P	BOOK B		
02-10	HOSES AND TUBES, 32 mm	B	3.9.3	15

Pos.	Part No.	Qty.	Desc.1	Desc.2	EAN
					005715492
2	12041500	1	Hose 38/32mm 2m plastic	Gs + curved plastic tube	+002580
2	22041400	1	Hose 38/32mm/2m plastic	With gs coupling wo.tube	+021147
2	22147600	1	Parking service kit	Grey	+005642
3	11543600	1	Hose 38-32mm/2m rubber	W. gs-coupling + muff	+019724
3	11543700	1	Hose 32/38 mm l=2m rubber	With ball joint	
3	11717000	1	Hose 38/32mm 2m rubber	Gs-coupling + curved tube	+019700
3	12097500	1	Hose 38/32mm 2m plastic	W.curved steel tube gs 38	+020935
3	12097600	1	Hose 38/32mm 2m plastic	With muff + gs coupling	+021062
3	22097400	1	Hose 38/32mm 2m plastic	Gs + ball joint	+021123
6	21640503	1	Curved tube 32mm plast		+003464
7	22344400	1	Muff kit 32mm black+grey	Antistatisk + olieresist	+010745
7	22344600	1	Consumer muff kit 32mm	Standard	+010752
8	11182500	1	Extension tube 32mm	L=0,2m	+012077
9	11112400	1	Extension tube 32m	L = 560mm chromed steel	+005932
9	11112401	1	Tube extension 32mm 560mm	Chromed steel	+003419
10	81906500	1	Tube telescopic 32mm	Max l. 1130mm	+011872
11	11262400	1	Tube 32mm alu l=1.0m		
12	21112600	1	Curved tube 32mm steel		+018598
13	11141900	1	Steel tube 32mm l=0,14m		
14	22190400	1	Telescopic tube f/newline		+006199
16	22351000	1	Shutter for curved tube	32mm grey 5 pieces	+010950

Note

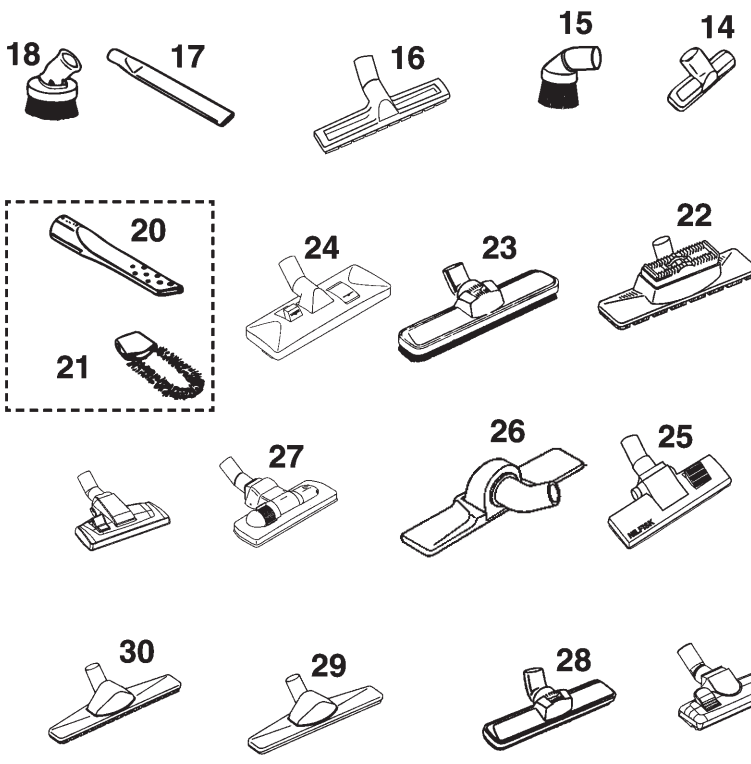
>> means: New or changed ref. no.

See hose connection diagram for 38mm hoses

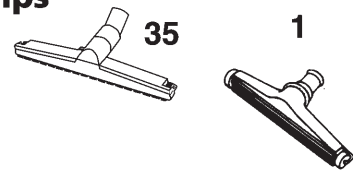
32

See hose connection diagram for Tapered 38/32mm and 32mm

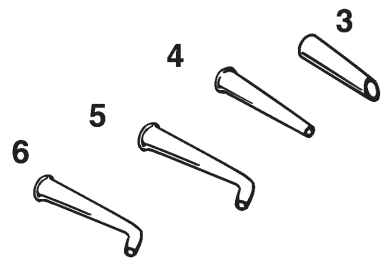
Brushes & nozzles



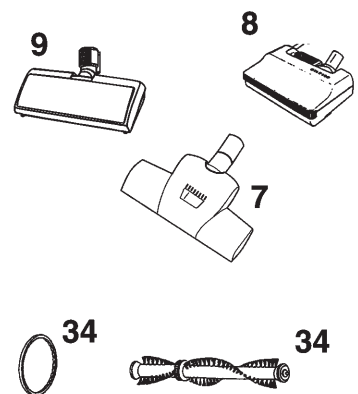
Aluminium nozzle with adjustable lips



Flexible nozzles



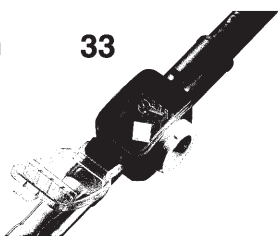
Special nozzle



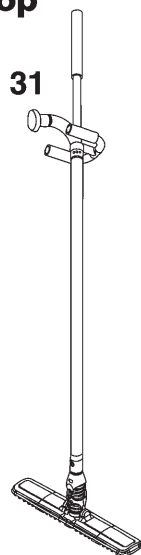
Pre-serarators 36



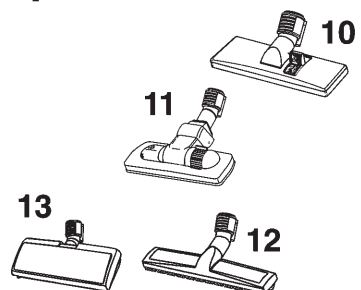
Pelican 33



NilfiskMop



Nozzles with parking clip for GD 1000



02-10	GS/GM 90 P	BOOK B		
03-02	NOZZLES 32 mm	B	3.9.3	17

Pos.	Part No.	Qty	Description	Note	EAN code 005715492+
1	11142200	1	Floor nozzle 300mm/32mm	Alu 2 rub lips	
1	11505100	1	Floor nozzle 400mm/32mm	Alu 2 rubber	
1	12294400	1	Floor nozzle 300mm alu	Inlet 32mm brush rub lips	
3	81140900	1	Nozzle flexible 150mm	Neck 32mm plastic	+001026
3	81140902	1	Flexible nozzle 150mm	Inlet 32mm for auto-clave	
4	81141000	1	Flexible nozzle 200mm	Inlet 32mm rubber	
5	81141101	1	Flexible nozzle 240mm	Inlet 32mm rub 65 shore	
6	81932600	1	Flexible nozzle	Inlet 32mm antistatic	
7	11685000	1	Turbo nozzle dry 2832		
7	21982000	1	Turbo nozzle dry 2832	Inlet 32mm plastic	
7	22360000	1	Turbo nozzle black		+010882
8	14010952	1	Nozzle elec.esb 106 gs	32mm	
8	15010452	1	Electro nozzle esb 109 gs	For gs/gm80/90 gs81 32mm	
9	22203000	1	Nozzle elektro	Inlet 32mm	007319519502312
14	22302300	1	Nozzle upholstery black	W/seperate grid f.32mm	+009244
14	32043700	1	Nozzle upholstery gray	W/separate grid f.32mm	+002658
15	11276901	1	Brush round grey 100%natu	32mm brown bristles	+005451
15	22103600	1	Brush round 70mm blue	Neck 32mm blue bristles	+002726
15	22302500	1	Brush round black 100%	Natural fibre f.32mm tube	+009251
16	22303500	1	Nozzle hard floor 32mm		+009305
17	81141200	1	Crevice nozzle 360mm	Inlet 32mm plastic	
18	11142100	1	Round brush 80mm	Neck 32mm alu/wood	+015276
19	11140300	1	Brush narrow 150 mm oval	Neck 32mm bakelite	+015283
20	81530400	1	Crevice nozzle 32mm 245mm long with holes		007319519604320
21	11530500	1	Brush ring f/crevice noz.		
22	11450201	1	Three-in-one nozzle 305mm	Inlet 32mm plastic	
23	11426700	1	Brush nozzle 32mm 280mm	Plastic	+015245
24	11980300	1	Nozzle combi 270mm f/32mm	Gray	
24	22304100	1	Nozzle roller combi	For gm time 32mm	+009190
24	22412900	1	Nozzle combi black	F/32mm tube - 270mm	+018321
26	00396347	1	French floor nozzle hard	32mm	
26	00396348	1	French floor nozzle soft	32mm	
26	00396349	1	French floor nozzle hard	38mm	
27	12041000	1	Roller combi nozzle 3032	Inlet 32 mm	
27	22303900	1	Nozzle roller combi	For arnoldi kit 32mm	+009183
27	22359800	1	Nozzle combi deluxe	Black f/32mm tube	+010868
28	11276800	1	Nozzle carpet 32mm 280mm	Plastic	+015252
29	11476200	1	Nozzle carpet 32mm 400mm	Alu/plastic	+015269
30	11476301	1	Brush nozzle 32mm 400mm	Alu/plastic	+011582
31	17830003	1	Nilfisk mop gs/gm	Small vers./hose 3m	+005253
31	17830004	1	Nilfisk mop gs/gm	Medium vers./hose 3m	+005260
31	17830005	1	Nilfisk mop gs/gm	Large vers./hose 3m	+005277
31	17830006	1	Mop without hose,800 mm,s	Mall	+005284
31	17830007	1	Mop without hose,1000 mm,	Med.	+005291
31	17830008	1	Mop without hose,1180 mm,	Large	+005307
32	11503100	1	Reducing tube 38-32 mm		007319519604979
33	22424800	1	Pelican for king		+025114
34	81684500	1	Brush f. turbo nozzles 11	685000,21982000,22360000	
34	81684600	1	Drive belt for brush on	Turbo nozzle 11685000	
35	82366900	1	Nozzle w/rbberlips f/32mm	Alu/pl. 370mm adjustable	
36	1407700000	1	Pre separator cyclon phas	E 1	007319519487459

Note

>> means: New or changed ref. no.