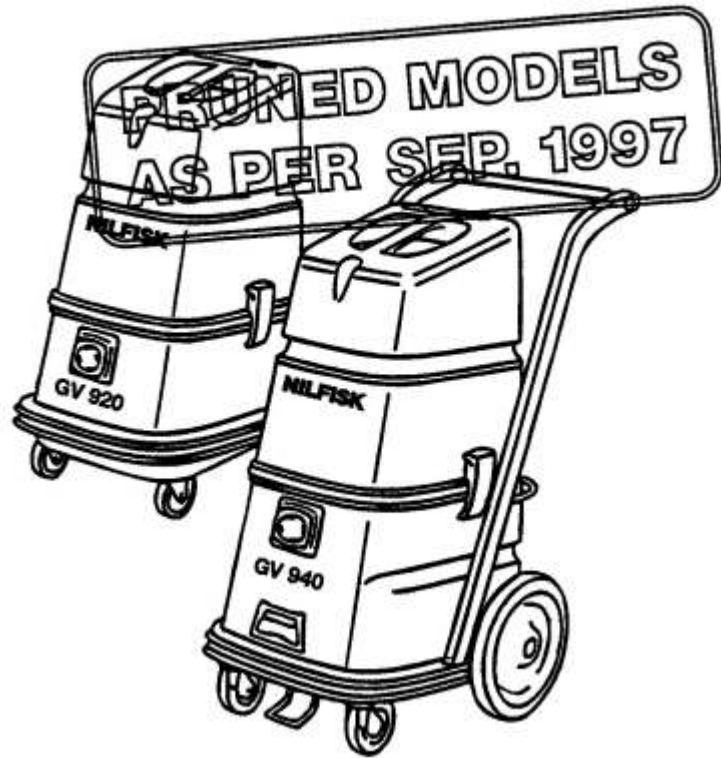


GV 920/ 940

Model:
GV 920
GV 940



Part List US-English

10-05-2011

Table of Contents

GV 920/940

INLET/COUPLING/VERSUS MODEL-OVERVIEW	3
HOSES CONNECTION DIAGRAM GS COUPLING 38MM	5
FAN PARTS GV 920 / 940	7
MOTOR PARTS GV 920 / 940	9
ELECTRICAL DIAGRAM	11
GV 920 AND GV 940 UPPER PART / WET/DRY MODELS	13
GV 920/940 FILTER PARTS	15
GV 920 AND GV 940 CONTAINER SPARE PARTS	17
GV 920 AND GV 940 TROLLEY SPARE PARTS	19
Nozzles 38 mm	21

INLET/COUPLING/VERSUS MODEL-OVERVIEW















10-05-2011

Part List ID

97820HP1

GV 920/ 940

3

Inlet/coupling/ versus Model																			
	GB 1033	GB 933	GB 833	GB 733	GB 826	GB 726	GB 725	GM 626	GM 625	GS/GM 83	GS/GM 82	GS/GM 81	GA 70	GV 920/940	IW 2050	IW 1040	GW 1020/1030	GV 21	GT 31
100mm p. 2	■	■																	
70mm p. 4			■							■									
50mm p. 5			■	■	■	■	■	■	■	■	■				■				
38mm steel/brass p. 7																		■	■
38mm GD p. 9																■	■		
38mm GS p. 10											■		■						
38mm Push-pull p. 11												■	■						

INLET/COUPLING/VERSUS MODEL-OVERVIEW

GV 920/ 940

10-05-2011

Part List ID

97820HP1

4

Pos	Part no.	Qty	Description	EAN
0		0	NOTE COMMENT	5701715456
			See part list with nozzle	

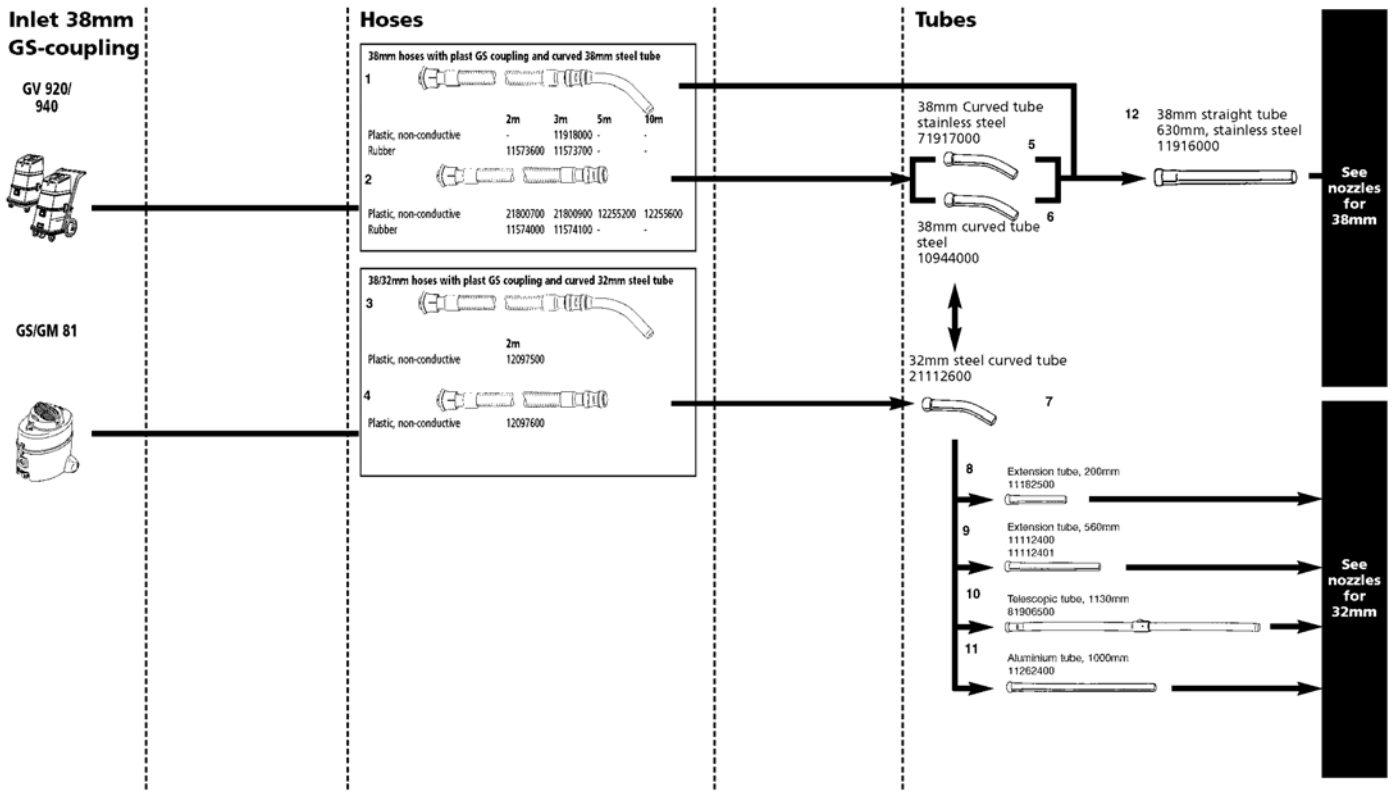
HOSES CONNECTION DIAGRAM GS COUPLING 38

GV 920/ 940

10-05-2011

Part List ID 97820HP10

5



HOSES CONNECTION DIAGRAM GS COUPLING 38

GV 920/ 940

10-05-2011

Part List ID

97820HP10

6

Pos	Part no.	Qty	Description	EAN
1	11573600	1	SE 38/2M RUBBER COMPLETE.GS	5715492019
1	11573700	1	HOSE 38/3M RUBBER COMPLETE.GS	5715492019
1	11918000	1	HOSE 38/3M PLAST.GS+PIPE	5715492020
2	11574000	1	HOSE 38/2M RUBBER GS+SLEEVE	5715492019
2	11574100	1	HOSE 38/3M RUBBER GS+SLEEVE	5715492019
2	12255200	1	HOSE 38/5M PLAST. GS+SLEEVE	5715492020
2	12255600	1	HOSE 38/10M PL GS + NOZZLE	5715492020
2	21800700	1	HOSE 38/2M PLAST. GS+SLEEVE	5715492020
2	21800900	1	HOSE 38/3M PLAST. GS+SLEEVE	5715492020
5	71917000	1	SS BENT JUNCTION D38	5711141089
6	10944000	1	BENT JUNCTION D38	5711141088
7	107402630	1	TUBE BENT END D32 STEEL KIT	7319519682
8	11182500	1	PIPE	5715492012
9	11112401	1	EXTENSION TUBE CPL.	5715492003
10	81906500	1	TUBE TELESC.LENGTH MAX 1130 MM	5715492011
11	11262400	1	PIPE 32MM X 1M ALU	
12	11916000	1	SS TUBE 630MM	5715492020
13	11183000	1	FITTING WITH REDUCTION D38	

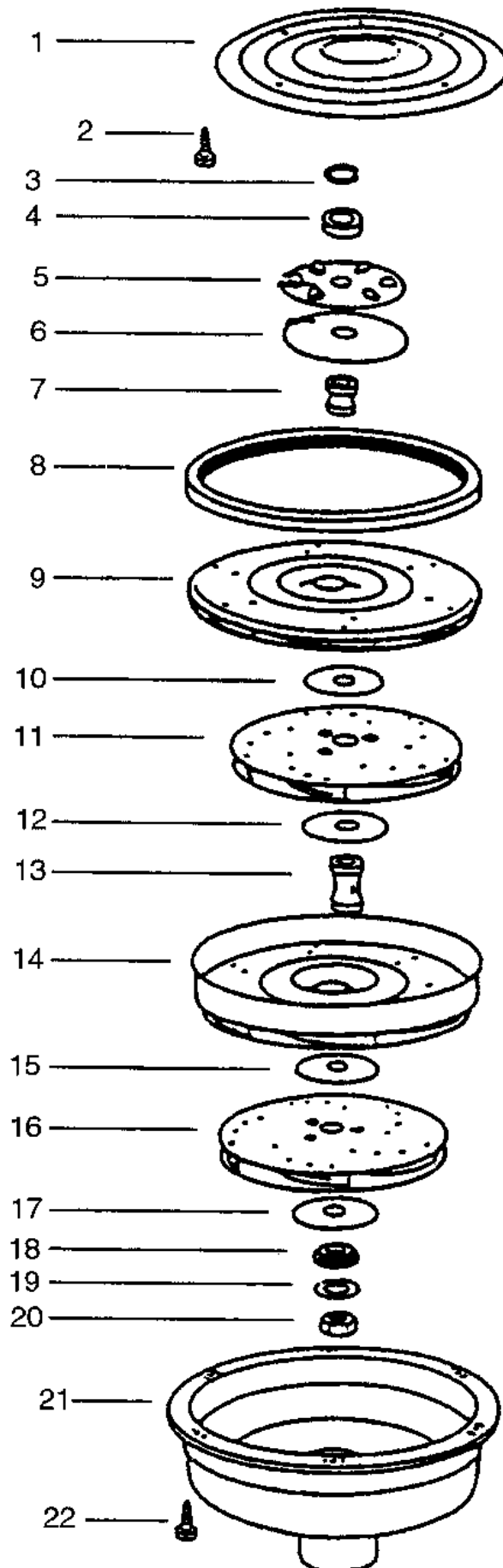
FAN PARTS GV 920 / 940

GV 920/ 940

10-05-2011

Part List ID GX4332

7



FAN PARTS GV 920 / 940

GV 920/ 940

10-05-2011

Part List ID

GX4332

8

Pos	Part no.	Qty	Description	EAN
2	81730600	6	SKRUE KB40X12 EJOT RUSTFR	
3	81254700	1	RING	
4	71254800	1	STOPRING	
5	71300600	1	LØBEHJUL	
6	71300700	1	PLADE	
7	71300500	1	BØSNING	
8	81302400	1	SEAL	
9	21945500	1	ØV.LEDEHJUL KPL.	
10	71255000	1	STYRESKIVE	
11	21945400	1	LØBEHJUL GV. Ø130	
12	71255000	1	STYRESKIVE	
13	71254900	1	BØSNING	
14	21945600	1	NED.LEDEHJUL KPL.	
15	71255000	1	STYRESKIVE	
16	21945400	1	LØBEHJUL GV. Ø130	
17	71255000	1	STYRESKIVE	
19	81180700	1	FJEDER	
21	81302201	1	BOWL	
22	81730600	6	SKRUE KB40X12 EJOT RUSTFR	

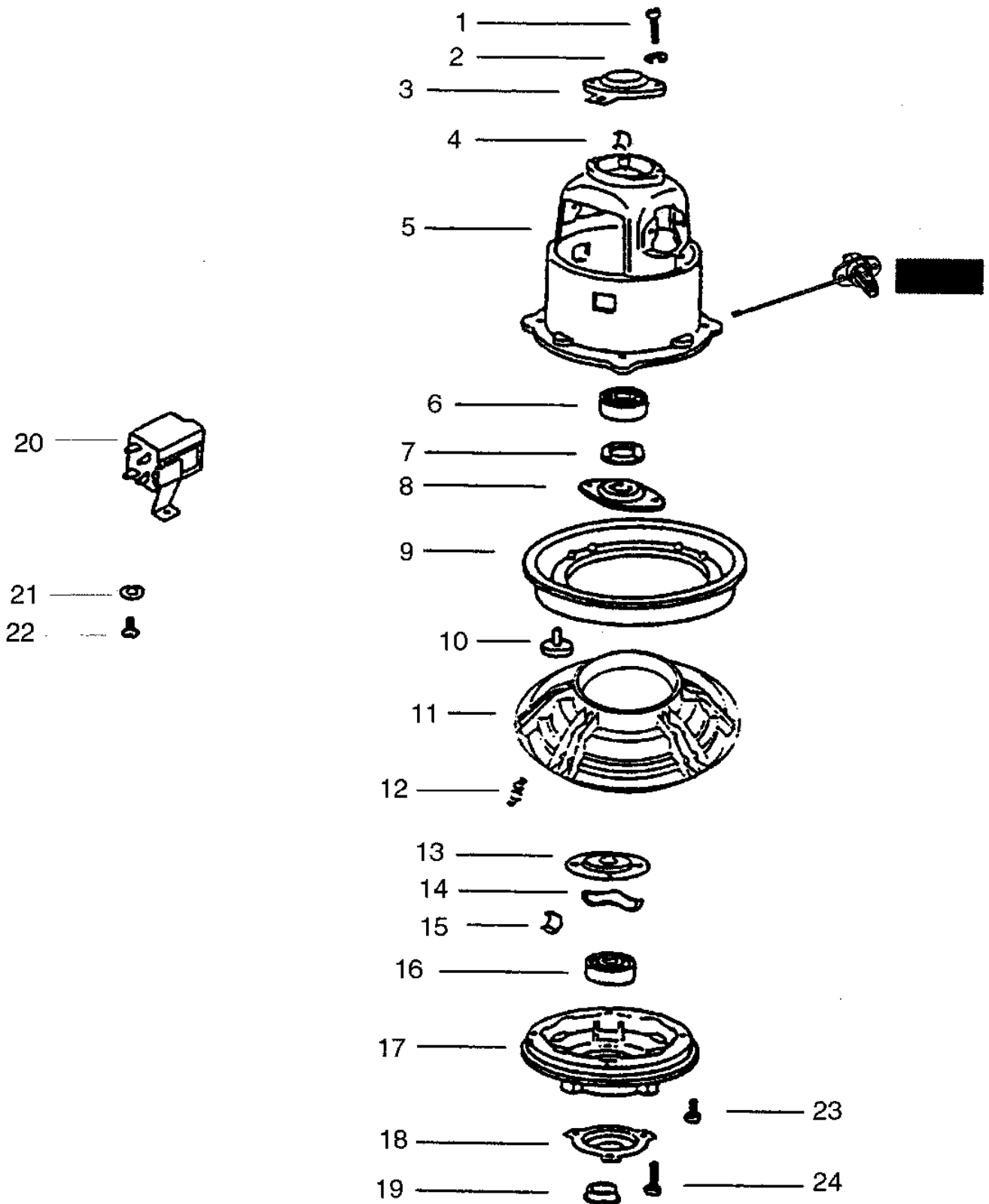
MOTOR PARTS GV 920 / 940

GV 920/ 940

10-05-2011

Part List ID
GX4333

9



MOTOR PARTS GV 920 / 940

GV 920/ 940

10-05-2011

Part List ID

GX4333

10

Pos	Part no.	Qty	Description	EAN
2	80552100	2	SPRING WASHER M4	
4	81437900	2	FJEDERELEMENT	
6	80731501	1	KUGLELEJE	
12	81878501	3	VIBRATION DAMPER	
14	81404401	1	FJEDER	
15	81437900	2	FJEDERELEMENT	
16	80731501	1	KUGLELEJE	
19	81251400	1	DISC	
20	81717200	1	KONDENSA TOR	
21	80552100	1	SPRING WASHER M4	
22	81541200	1	SCREW M4X6 PAN HEAD	5715492023
23	81907200	4	SCREW M4X12 PANH TORX	

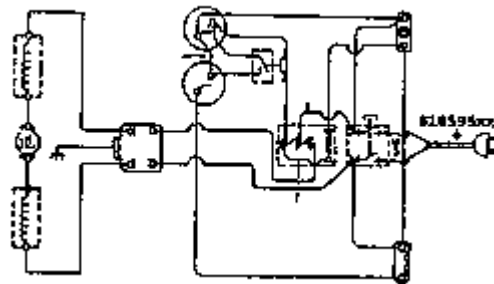
ELECTRICAL DIAGRAM

GV 920/ 940

10-05-2011

Part List ID
GX4334

11



ELECTRICAL DIAGRAM

GV 920/ 940

10-05-2011

Part List ID

GX4334

12

GV 920 AND GV 940 UPPER PART / WET/DRY MOD

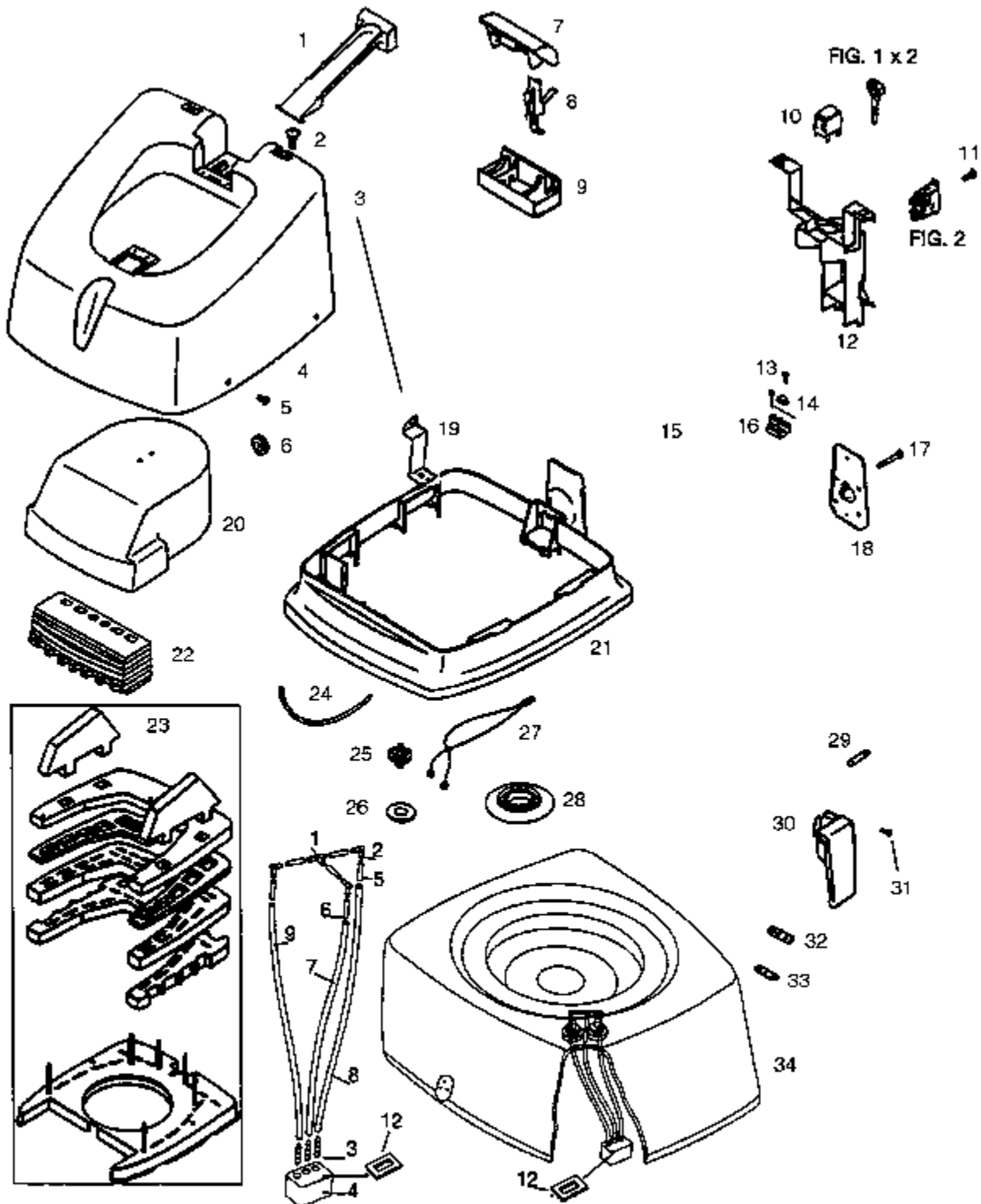
10-05-2011

Part List ID

GX4335

13

GV 920/ 940



See page
1 D 14

Tube and fitting kit:
Item 1 to 12 incl.

GV 920 AND GV 940 UPPER PART / WET/DRY MOD

10-05-2011

Part List ID

GX4335

GV 920/ 940

14

Pos	Part no.	Qty	Description	EAN
1	81872301	1	HANDLE F.MOTOR COVER	
2	81776501	4	SKRUE KB40X12	
4	51872201	1	MOTORKAPPE	
5	81776700	4	SKRUE	
7	81873601	1	START/STOP KNAP	
8	81871200	1	KONTAKTARM	
9	81873700	1	INSERT F.BUTTON	
10	81776300	1	2 POLED SWITCH	
12	81878201	1	KONTAKTBRO	
19	71919900	4	Z-BESLAG	
21	81871901	1	EXHAUST PART	
22	81777700	1	SOUND INSUL. RADIATOR COVER	
23	51949500	1	SILENCER SET	
25	81775901	2	PRESSOSTAT	
26	81875600	2	PAKNING F.PRESSOSTAT	
27	81859800	1	THERMO RELAY	
28	81871700	1	GASKET F.TURBINE SHELL	
29	71615400	2	NUT PLATE	
30	51918700	2	LUKKER	
31	81923500	5	PANHOVEDSKRUE M4X8	
33	71774400	4	BAJONETSKINNE	
34	71870201	1	MOTOR MOUNTING	

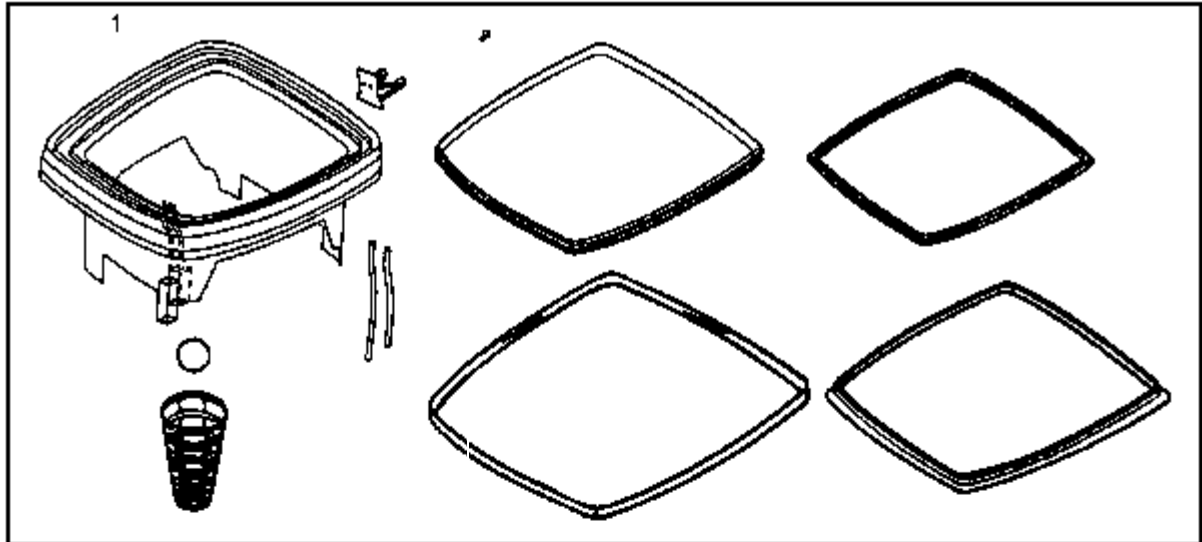
GV 920/940 FILTER PARTS

10-05-2011

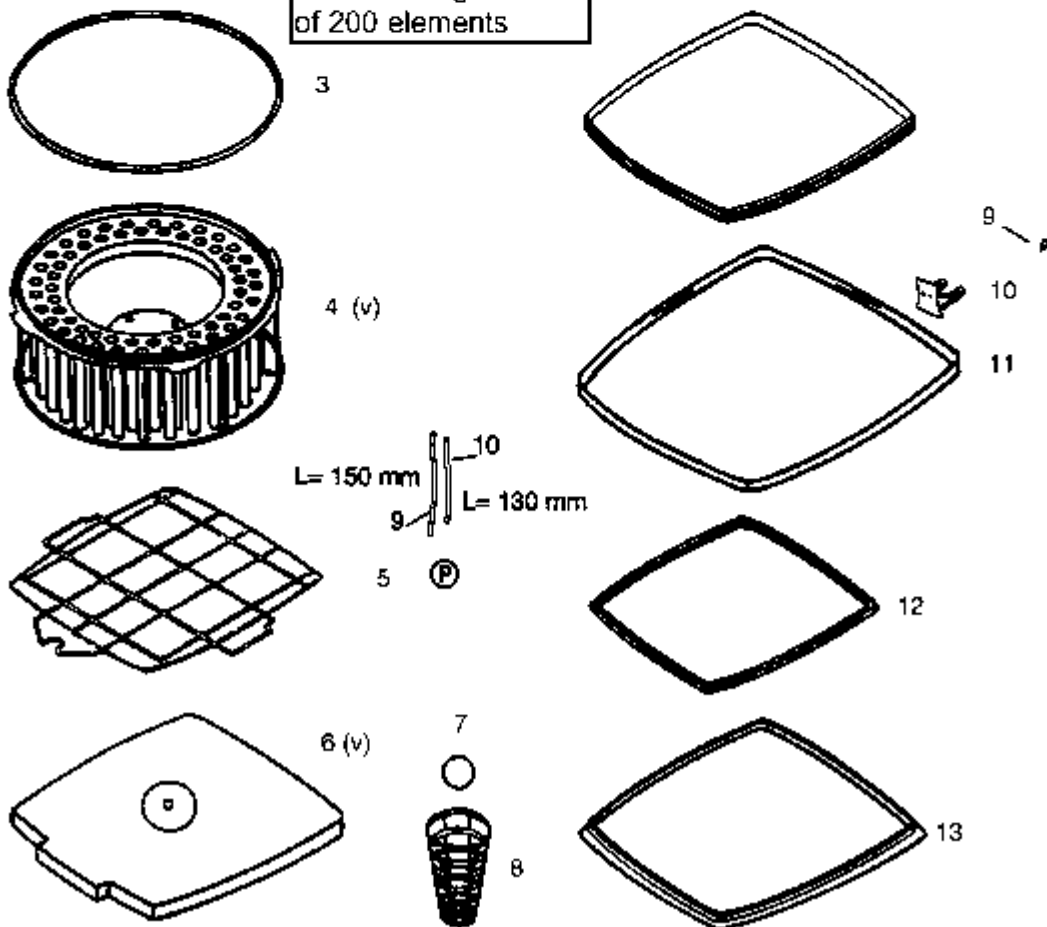
Part List ID
GX4336

GV 920/940

15



2
Candle elements for
the main filter.
Min. ordering carton
of 200 elements



GV 920/940 FILTER PARTS

GV 920/ 940

10-05-2011

Part List ID

GX4336

16

Pos	Part no.	Qty	Description	EAN
1	71949900	1	FILTERSKØRT KOMPL.	5715492019
2	81870501	1	FILTER ELEMENT	
3	21949800	1	FILTERENHED	5715492014
4	21949800	1	FILTERENHED	5715492014
5	81933800	1	WIRE FRAME	
6	52098000	1	FORFILTER KOMP. GV920/940	
7	71949900	1	FILTERSKØRT KOMPL.	5715492019
8	71949900	1	FILTERSKØRT KOMPL.	5715492019
12	81949300	1	PAKNING F.FILTERSKØRT	
13	81949200	1	PAKNING F.BEHOLDER	

GV 920 AND GV 940 CONTAINER SPARE PARTS

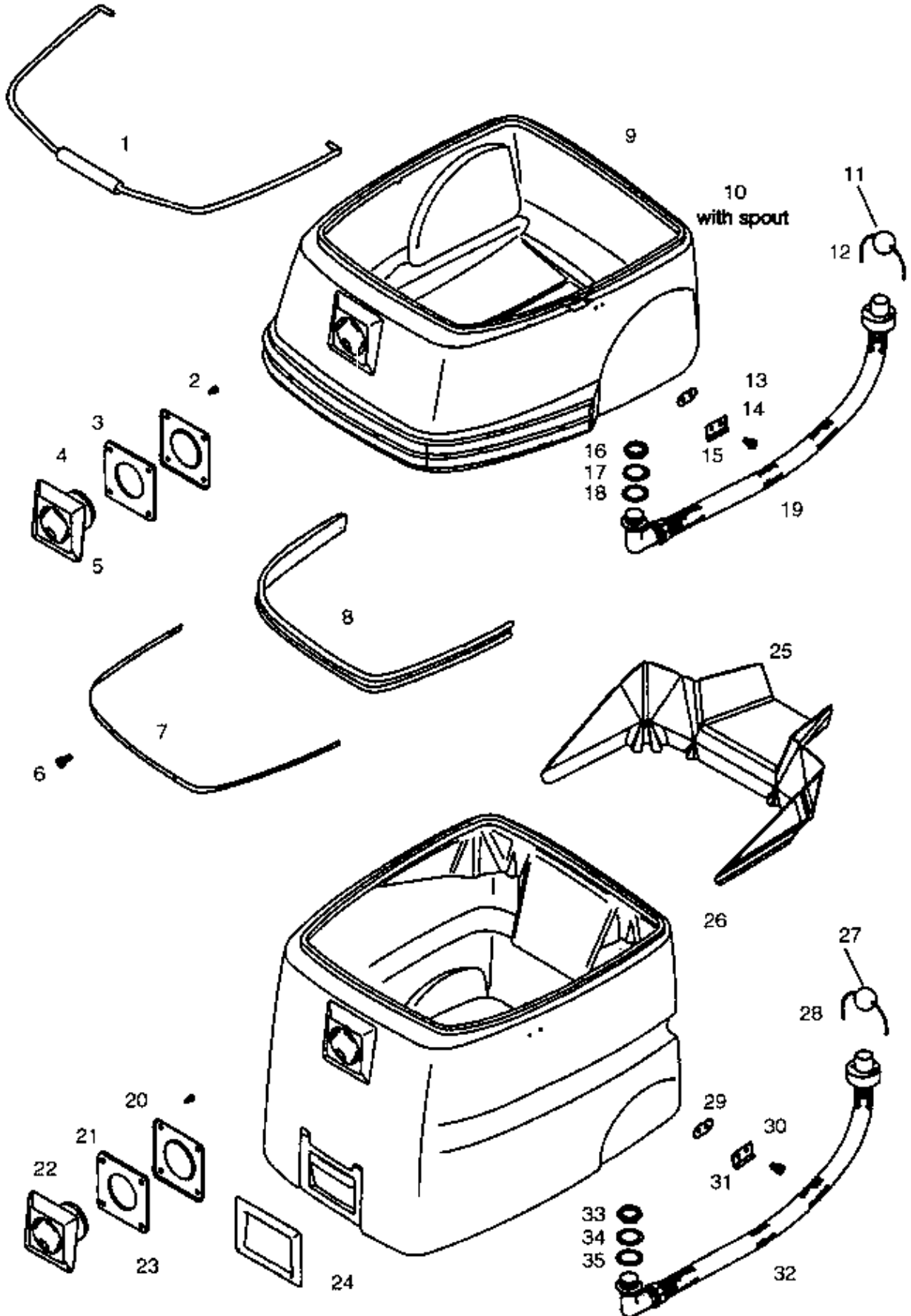
10-05-2011

Part List ID
GX4337

GV 920/940

17

For GV 920



GV 920 AND GV 940 CONTAINER SPARE PARTS

10-05-2011

Part List ID

GX4337

GV 920/ 940

18

Pos	Part no.	Qty	Description	EAN
1	81662500	4	TOP NUT M5	
2	21949800	4	FILTERENHED	5715492014
3	71876301	1	BAGPLADE	
5	81874801	1	INDSUGNINGSKOBLING	
10	51946800	1	CONTAINER WITH POURING LIP	
11	81938500	1	BALL	
12	81938400	1	GUMMISNOR	
13	71364200	2	CLAMP PLATE	
14	71918600	2	LUKKEHAGE	
15	81950600	4	SKRUE M4X12	
16	81913700	1	MØTRIK PG 21	
17	81948100	1	SKIVE	
18	81938200	1	RUBBER SEAL	
19	81938301	1	TØMMESLANGE 400MM	
20	21949800	4	FILTERENHED	5715492014
21	71876301	1	BAGPLADE	
23	81874801	1	INDSUGNINGSKOBLING	
27	81938500	1	BALL	
28	81938400	1	GUMMISNOR	
29	71364200	2	CLAMP PLATE	
30	71918600	2	LUKKEHAGE	
31	81950600	4	SKRUE M4X12	
32	81938300	1	DRAIN HOSE 560M GV 940	
33	81913700	1	MØTRIK PG 21	
34	81948100	1	SKIVE	
35	81938200	1	RUBBER SEAL	

GV 920 AND GV 940 TROLLEY SPARE PARTS

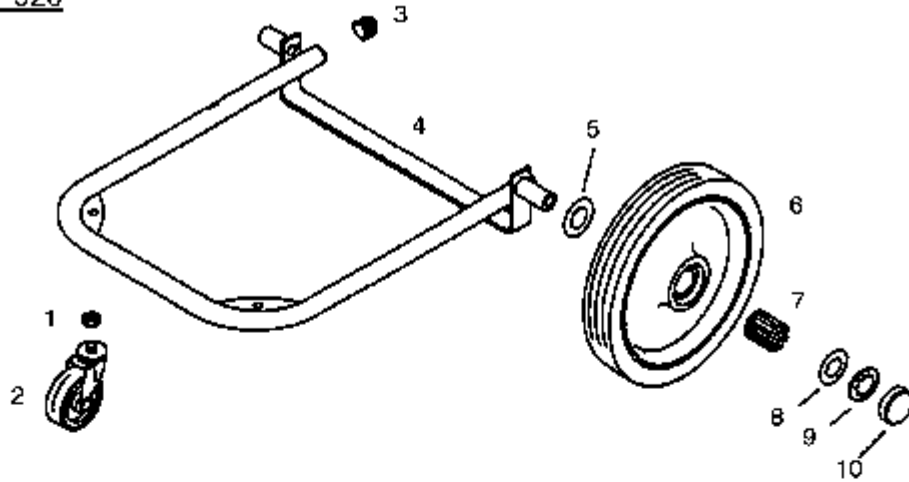
10-05-2011

Part List ID
GX4338

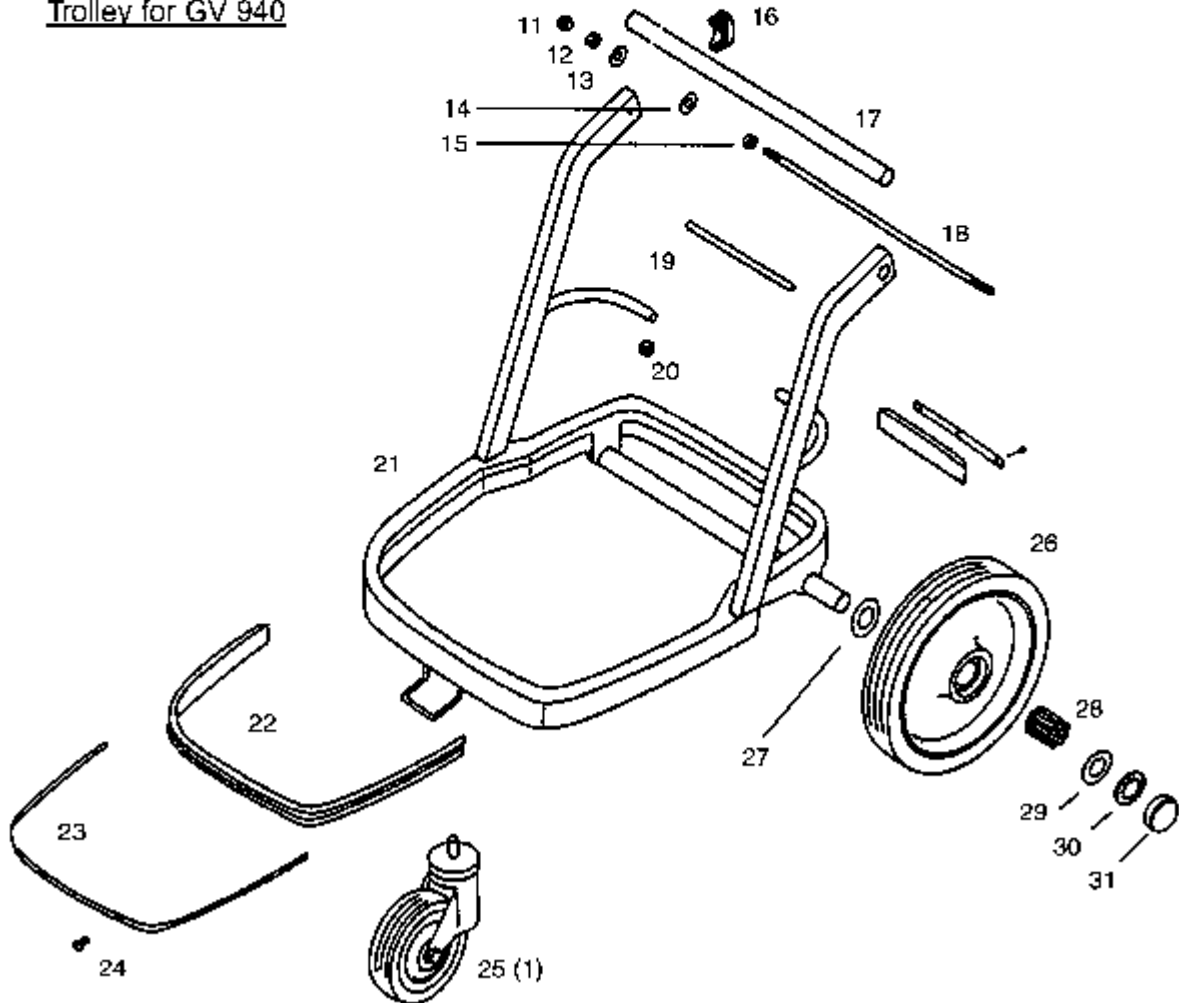
GV 920/ 940

19

Trolley for GV 920



Trolley for GV 940



GV 920 AND GV 940 TROLLEY SPARE PARTS

10-05-2011

Part List ID
GX4338

GV 920/ 940

20

Pos	Part no.	Qty	Description	EAN
2	81874001	2	DREJEHJUL F/GV920	
5	71776801	2	SKIVE	
6	81933100	2	BAGHJUL	
7	81933300	2	RULLELEJE	
8	71776801	2	SKIVE	
9	81776901	2	WHEEL LOCK RING GV940	
10	81933200	2	KAPSEL	
12	81350500	2	NUT	Machine outphased 2007 5711141075
15	81156500	2	NUT M8	
17	81873301	1	HANDLE SUPPORT GV940	
18	81873301	1	HANDLE SUPPORT GV940	
25	81873101	1	FORHJUL F/GV940	
26	81933100	2	BAGHJUL	
27	71776801	2	SKIVE	
28	81933300	2	RULLELEJE	
29	71776801	2	SKIVE	
30	81776901	2	WHEEL LOCK RING GV940	
31	81933200	2	KAPSEL	

Nozzles 38 mm

GV 920/ 940

10-05-2011

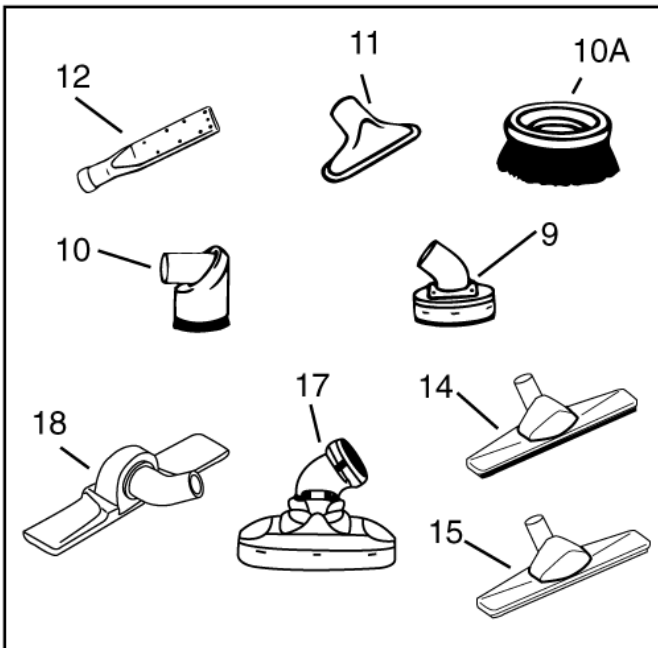
Part List ID

HOSE15

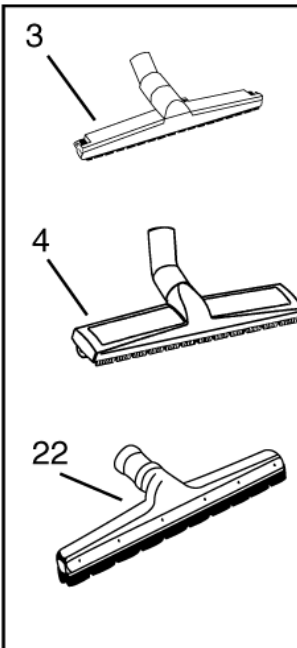
21

See hoses con-
nection diagram
for 38mm

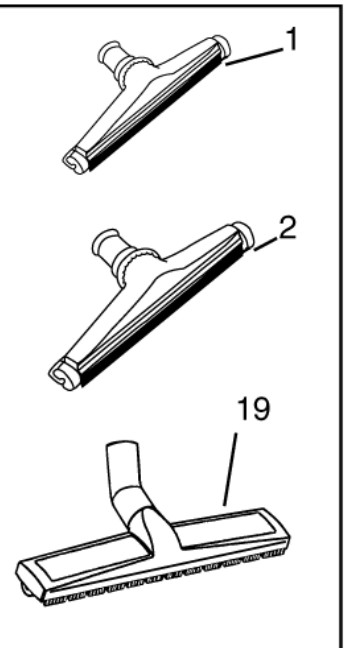
Brushes & nozzles



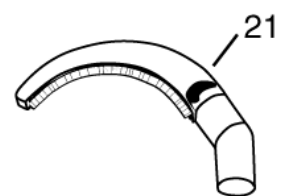
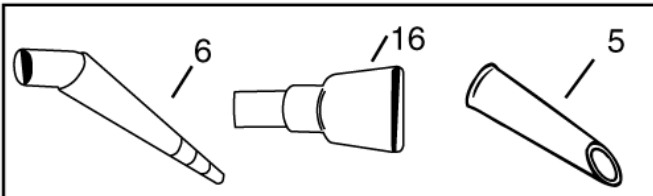
Wet pick-up



Wheeled floor nozzle



Cones



Wood/plastic
blades

26



Plastic/Lips

26 A



Wood/brush

25



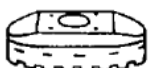
Plastic/Brush

25 A



Wood/plastic
blades

24



Plastic/Lips

24 A



Wood/brush

28

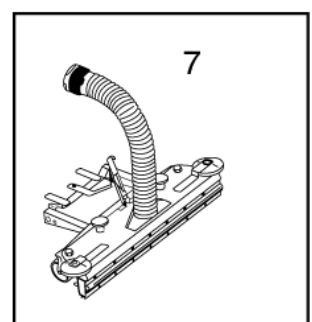


Plastic/Brush

28 A



Fixed floor nozzle



Nozzles 38 mm

GV 920/ 940

10-05-2011

Part List ID
HOSE15

22

Pos	Part no.	Qty	Description	EAN
1	140 3816 020	1	NOZZLE W/BRISTLES F/38MM	7319519376
2	10947300	1	GULVMUNDSTYKKE	5715492015
3	140 3816 020	1	NOZZLE W/BRISTLES F/38MM	7319519376
3	82168000	1	FLOOR NOZZLE D38 X IW	5711141090
4	12126700	1	LIQUID NOZZLE D38	5711141000
5	80956200	1	RUBBER CONDE D38	5711141075
5	L02956200	1	CONE D38	5711141090
6	82167900	1	CONIC ACC D38 X IW	5711141090
9	10989000	1	NOZZLE BRUSH 38MM 100	5715492015
10	10950200	1	ROUND BRUSH BLACK FOR 38MM BRUSH 70M	5715492012
10	10950201	1	ROUND BRUSH RED FOR 38MM BRUSH 70M	5715492014
10	10950202	1	ROUND BRUSH GREEN FOR 38MM BRUSH 70M	5715492014
10	10950203	1	ROUND BRUSH BLUE FOR 38MM BRUSH 70M	5715492014
10	10950204	1	ROUND BRUSH WHITE FOR 38MM BRUSH 70M	5715492029
10	10950205	1	ROUND BRUSH YELLOW FOR 38MM BRUSH 70M	5715492029
10	12422500	1	ROUND BRUSH NATURAL BRISTLES 70MM F/ 38	5715492024
11	70945300	1	NOZZLE	
12	10949500	1	STEEL FLAT LANCE D38	5711141000
14	11476101	1	BRUSH D38 MM400	5711141088
15	11476000	1	CARPET NZL 38 X 400MM	5711141088
16	82169700	1	FLAT NOZZLE D38 X IW	5711141090
17	11346800	1	FLOOR NOZZ. 38MM 150MM WOOD	5715492015
17	11346900	1	FLOOR NOZZ. 38MM 220MM WOOD	5715492015
17	11347000	1	FLOOR NOZZ. 38MM 300MM WOOD	5715492012
18	L00396349	1	FRENCH FLOOR NOZZLE HARD	
19	12126800	1	HARD FLOOR NOZZ.	
20	82191000	1	BENT BRUSH D38	
21	82191200	1	BENT BRUSH D38	
22	11339500	1	NOZZLE 38/400 ALU.	5715492015
23	10957400	1	SWIVEL SOCKET 38MM	5715492015
23	10957411	1	SWIVEL SOCKET 38MM ST. STEEL	5715492028
24	10651400	1	MUNDSTYKKE 300MM OVAL	
25	10657900	1	MUNDSTYKKE T.RØR 400MM ½	5715492015
25	10661600	1	MUNDSTYKKE T.RØR 200MM	5715492015
25	10663400	1	MUNDSTYKKE T.RØR 300MM	5715492015
25	10666400	1	MUNDSTYKKE T.RØR 600MM ½	5715492015
25	10669800	1	MUNDSTYKKE T.RØR 100MM	5715492015
26	10674600	1	MUNDSTYKKE T.RØR 100MM ½	
26	10674700	1	MUNDSTYKKE T.RØR 200MM ½	
26	10674800	1	MUNDSTYKKE T RØR 300MM ½	
26	10674900	1	MUNDSTYKKE T.RØR 400MM ½	

Nozzles 38 mm

GV 920/ 940

10-05-2011

Part List ID

HOSE15

23

Pos	Part no.	Qty	Description	EAN
26	10675000	1	MUNDSTYKKE T.RØR 600MM ½	
27	10647500	1	MUNDSTYKKE	
28	10647300	1	base FLOOR NOZZ. 150MM WOOD	5715492015
28	10651500	1	base FLOOR NOZZ. 220MM WOOD	5715492015
28	10651600	1	base FLOOR NOZZ. 300MM WOOD	5715492015
30	22430101	1	NOZZLE LIPS 38MM ST. STEEL FOR PIPE 100M	5715492026
30	22430102	1	NOZZLE LIPS 38MM FE/ZN FOR PIPE 100MM BL	5715492026
30	22430103	1	NOZZLE LIPS 38MM ST. STEEL FOR PIPE 100M	5715492026
30	22430104	1	NOZZLE LIPS 38MM ST. STEEL FOR PIPE 100M	5715492026
30	22430105	1	NOZZLE LIPS 38MM ST. STEEL FOR PIPE 100M	5715492026
30	22430106	1	NOZZLE LIPS 38MM ST. STEEL FOR PIPE 100M	5715492026
30	22430107	1	NOZZLE LIPS 38MM ST. STEEL FOR PIPE 100M	5715492026
30	22430201	1	NOZZLE LIPS 38MM ST. STEEL FOR PIPE 200M	5715492026
30	22430202	1	NOZZLE LIPS 38MM FE/ZN FOR PIPE 200MM BL	5715492026
30	22430203	1	NOZZLE LIPS 38MM ST. STEEL FOR PIPE 200M	5715492026
30	22430204	1	NOZZLE LIPS 38MM ST. STEEL FOR PIPE 200M	5715492026
30	22430205	1	NOZZLE LIPS 38MM ST. STEEL FOR PIPE 200M	5715492026
30	22430206	1	NOZZLE LIPS 38MM ST. STEEL FOR PIPE 200M	5715492026
30	22430207	1	NOZZLE LIPS 38MM ST. STEEL FOR PIPE 200M	5715492026
30	22430301	1	NOZZLE LIPS 38MM ST. STEEL FOR PIPE 100M	5715492026
30	22430302	1	NOZZLE LIPS 38MM FE/ZN FOR PIPE 300MM BL	5715492026
30	22430303	1	NOZZLE LIPS 38MM ST. STEEL FOR PIPE 300M	5715492026
30	22430304	1	NOZZLE LIPS 38MM ST. STEEL FOR PIPE 300M	5715492026
30	22430305	1	NOZZLE LIPS 38MM ST. STEEL FOR PIPE 300M	5715492026
30	22430306	1	NOZZLE LIPS 38MM ST. STEEL FOR PIPE 300M	5715492026
30	22430307	1	NOZZLE LIPS 38MM ST. STEEL FOR PIPE 300M	5715492026
31	22430900	1	NOZZLE BRUSH 38MM FE/ZN FOR PIPE 100MM G	5715492027
31	22430901	1	NOZZLE BRUSH 38MM ST. STEEL FOR PIPE 100	5715492027
31	22430902	1	NOZZLE BRUSH 38MM FE/ZN FOR PIPE 100MM B	5715492027
31	22430904	1	NOZZLE BRUSH 38MM ST. STEEL FOR PIPE 100	5715492028
31	22430905	1	NOZZLE BRUSH 38MM ST. STEEL FOR PIPE 100	5715492028
31	22430906	1	NOZZLE BRUSH 38MM ST. STEEL FOR PIPE 100	5715492028
31	22430907	1	NOZZLE BRUSH 38MM ST. STEEL FOR PIPE 100	5715492028
31	22431000	1	NOZZLE BRUSH 38MM FE/ZN FOR PIPE 200MM G	5715492027
31	22431001	1	NOZZLE BRUSH 38MM ST. STEEL FOR PIPE 200	5715492027
31	22431002	1	NOZZLE BRUSH 38MM FE/ZN FOR PIPE 200MM B	5715492027
31	22431004	1	NOZZLE BRUSH 38MM ST. STEEL FOR PIPE 200	5715492028
31	22431005	1	NOZZLE BRUSH 38MM ST. STEEL FOR PIPE 200	5715492028
31	22431006	1	NOZZLE BRUSH 38MM ST. STEEL FOR PIPE 200	5715492028
31	22431007	1	NOZZLE BRUSH 38MM ST. STEEL FOR PIPE 200	5715492028
31	22431100	1	NOZZLE BRUSH 38MM FE/ZN FOR PIPE 300MM G	5715492027

Nozzles 38 mm

GV 920/ 940

10-05-2011

Part List ID

HOSE15

24

Pos	Part no.	Qty	Description	EAN
31	22431101	1	NOZZLE BRUSH 38MM ST. STEEL FOR PIPE 300	5715492027
31	22431102	1	NOZZLE BRUSH 38MM FE/ZN FOR PIPE 300MM B	5715492027
31	22431104	1	NOZZLE BRUSH 38MM ST. STEEL FOR PIPE 300	5715492028
31	22431105	1	NOZZLE BRUSH 38MM ST. STEEL FOR PIPE 300	5715492028
31	22431106	1	NOZZLE BRUSH 38MM ST. STEEL FOR PIPE 300	5715492028
31	22431107	1	NOZZLE BRUSH 38MM ST. STEEL FOR PIPE 300	5715492028
32	22430801	1	NOZZLE LIPS 38MM ST. STEEL FLAT 300MM DA	5715492026
32	22430802	1	NOZZLE LIPS 38MM FE/ZN FLAT 300MM BLACK	5715492027
32	22430803	1	NOZZLE LIPS 38MM ST. STEEL FLAT 300MM WH	5715492027
32	22430804	1	NOZZLE LIPS 38MM ST. STEEL FLAT 300MM YE	5715492027
32	22430805	1	NOZZLE LIPS 38MM ST. STEEL FLAT 300MM RE	5715492027
32	22430806	1	NOZZLE LIPS 38MM ST. STEEL FLAT 300MM GR	5715492027
32	22430807	1	NOZZLE LIPS 38MM ST. STEEL FLAT 300MM BL	5715492027
33	22431600	1	NOZZLE BRUSH 38MM FE/ZN FLAT 300MM GREY	5715492027
33	22431601	1	NOZZLE BRUSH 38MM ST. STEEL FLAT 300MM D	5715492027
33	22431602	1	NOZZLE BRUSH 38MM FE/ZN FLAT 300MM BLACK	5715492027
33	22431604	1	NOZZLE BRUSH 38MM ST. STEEL FLAT 300MM Y	5715492028
33	22431605	1	NOZZLE BRUSH 38MM ST. STEEL FLAT 300MM R	5715492028
33	22431606	1	NOZZLE BRUSH 38MM ST. STEEL FLAT 300MM G	5715492028
33	22431607	1	NOZZLE BRUSH 38MM ST. STEEL FLAT 300MM B	5715492028
10A	80630800	1	ROUND BRUSH RING BLACK 70	5715492021
10A	80630801	1	ROUND BRUSH RING RED 70MM	5715492021
10A	80630802	1	ROUND BRUSH RING GREEN 70MM	5715492021
10A	80630803	1	ROUND BRUSH RING BLUE 70MM	5715492021
10A	80630805	1	ROUND BRUSH RING YELLOW 70MM	5715492029
23A	42430904	1	NOZZLE PART WITH BRUSH YELLOW FOR PIPE C	5715492028
23A	42430905	1	NOZZLE PART WITH BRUSH RED FOR PIPE CLEA	5715492028
23A	42430906	1	NOZZLE PART WITH BRUSH GREEN FOR PIPE CL	5715492028
23A	42430907	1	FLOOR NOZZ PART WITH BRUSH BLUE	5715492028
23A	42431004	1	FLOOR NOZZ PART WITH BRUSH YELLOW	5715492028
23A	42431005	1	FLOOR NOZZ PART WITH BRUSH RED	5715492028
23A	42431006	1	FLOOR NOZZ PART WITH BRUSH GREEN	5715492028
23A	42431007	1	NOZZLE PART WITH BRUSH BLUE FOR PIPE CLE	5715492028
23A	42431104	1	FLOOR NOZZ PART WITH BRUSH YELLOW	5715492028
23A	42431105	1	FLOOR NOZZ PART WITH BRUSH RED	5715492028
23A	42431106	1	FLOOR NOZZ PART WITH BRUSH GREEN	5715492028
23A	42431107	1	FLOOR NOZZ PART WITH BRUSH BLUE	5715492028
24A	32430801	1	FLOOR NOZZ PART WITH RAIL DARK GRE	5715492027
24A	32430802	1	FLOOR NOZZ PART WITH RAIL BLAC	5715492027
24A	32430803	1	NOZZLE PART W.LIPS WHITE FLAT 300MM FDA	5715492027
24A	32430804	1	NOZZLE PART WITH LIPS YELLOW FLAT 300MM	5715492027

Nozzles 38 mm

GV 920/ 940

10-05-2011

Part List ID

HOSE15

25

Pos	Part no.	Qty	Description	EAN
24A	32430805	1	NOZZLE WITH LIPS RED (FDA) FLAT 300MM	5715492027
24A	32430806	1	NOZZLE PART WITH LIPS GREEN FLAT 300MM	5715492027
24A	32430807	1	NOZZLE WITH LIPS BLUE (FDA) FLAT 300MM	5715492027
25A	42430900	1	NOZZLE PART WITH BRUSH GREY FOR PIPE CL	5715492027
25A	42430901	1	FLOOR NOZZ PART WITH BRUSH DARK GREY	5715492027
25A	42430902	1	NOZZLE PART WITH BRUSH BLACK FOR PIPE C	5715492027
25A	42431000	1	FLOOR NOZZ PART WITH BRUSH GRE	5715492027
25A	42431001	1	FLOOR NOZZ PART WITH BRUSH DARK GREY	5715492027
25A	42431002	1	NOZZLE PART WITH BRUSH BLACK FOR PIPE C	5715492027
25A	42431100	1	FLOOR NOZZ PART WITH BRUSH GRE	5715492027
25A	42431101	1	FLOOR NOZZ PART WITH BRUSH DARK GREY	5715492027
25A	42431102	1	FL. NOZZ. PART WITH BRUSH BLAC	5715492027
25A	42431604	1	NOZZLE PART WITH BRUSH YELLOW FLAT 300MM	5715492028
25A	42431605	1	FLOOR NOZZ PART WITH BRUSH RED	5715492028
25A	42431606	1	FLOOR NOZZ PART WITH BRUSH GREE	5715492028
25A	42431607	1	FLOOR NOZZ PART WITH BRUSH	5715492028
26A	32430101	1	FLOOR NOZZ PART WITH RAIL DARK GREY	5715492027
26A	32430102	1	FLOOR NOZZ PART WITH RAIL BLACK	5715492027
26A	32430103	1	FLOOR NOZZ PART WITH RAIL WHITE	5715492027
26A	32430104	1	NOZZLE PART WITH LIPS YELLOW FOR PIPE CL	5715492027
26A	32430105	1	FLOOR NOZZ PART WITH RAIL RED	5715492027
26A	32430106	1	FLOOR NOZZ PART WITH RAIL GREEN	5715492027
26A	32430107	1	FLOOR NOZZ PART WITH RAIL BLUE	5715492027
26A	32430201	1	FLOOR NOZZ PART WITH RAIL DARK GREY	5715492027
26A	32430202	1	FLOOR NOZZ. WITH RAIL BLACK ESD	5715492027
26A	32430203	1	FLOOR NOZZ PART WITH RAIL WHITE	5715492027
26A	32430204	1	FLOOR NOZZ PART WITH RAIL YELLOW	5715492027
26A	32430205	1	FLOOR NOZZ PART WITH RAIL RED	5715492027
26A	32430206	1	FLOOR NOZZ PART WITH RAIL GREEN	5715492027
26A	32430207	1	FLOOR NOZZ PART WITH RAIL BLUE	5715492027
26A	32430301	1	FLOOR NOZZ PART WITH RAIL DARK GREY	5715492027
26A	32430302	1	FLOOR NOZZ PART WITH RAIL BLACK	5715492027
26A	32430303	1	FLOOR NOZZ PART WITH RAIL WHITE	5715492027
26A	32430304	1	FLOOR NOZZ PART WITH RAIL YELLOW	5715492027
26A	32430305	1	NOZZLE PART WITH LIPS RED FOR PIPE CLEAN	5715492027
26A	32430306	1	FLOOR NOZZ PART WITH RAIL GREEN	5715492027
26A	32430307	1	FLOOR NOZZ PART WITH RAIL BLUE	5715492027
28A	42431600	1	NOZZLE PART WITH BRUSH GREY FLAT 300M	5711141090
28A	42431601	1	NOZZLE PART WITH BRUSH DARK GREEN FLAT	5715492027
28A	42431602	1	NOZZLE PART W.BRIST.BLACK FLAT 300MM ESD	5715492027