

# GWD 320 / 335 / 350 /375

---

Model:

GWD 320 STEEL  
GWD 320/ 320 C  
GWD 335 STEEL  
GWD 335/ 335 C  
GWD 350  
GWD 350 STEEL  
GWD 350-2  
GWD 350-2 STEEL  
GWD 360 C  
GWD 375  
GWD 375 STEEL  
GWD 375-2  
GWD 375-2 STEEL  
GWD 380 C



Part List US-English

11-07-2009

# Table of Contents

GWD 320 / 335 / 350 /375

<b>Motor top GD 320</b>	<b>3</b>
<b>Motor top GWD 320, GWD 335</b>	<b>5</b>
<b>Motor top GWD 320 Craftsman</b>	<b>7</b>
<b>Motor top one motor,GWD 350, GWD 375</b>	<b>9</b>
<b>Motor top two motor, GWD 350, GWD 375</b>	<b>11</b>
<b>Container, GWD 320, GWD 335</b>	<b>13</b>
<b>Container, GWD 350, GWD 375</b>	<b>15</b>
<b>Trolleys, GD 320, GWD 320, 335, 350, 375</b>	<b>17</b>
<b>Front nozzle, GWD 350, GWD 375 (EU-UK-AU/NZ-JP)</b>	<b>19</b>
<b>Nozzles and hoses. All models</b>	<b>21</b>
<b>Filter and dustbags. All models</b>	<b>23</b>

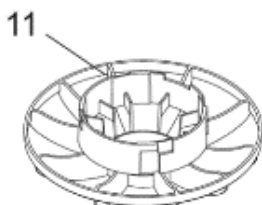
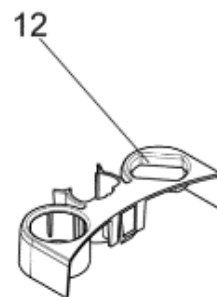
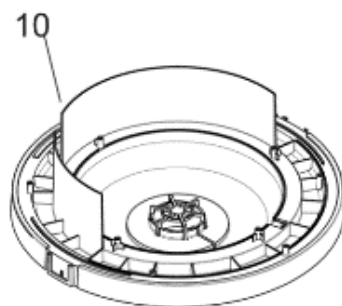
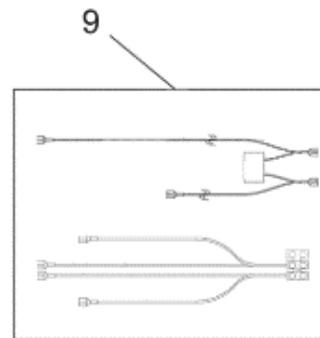
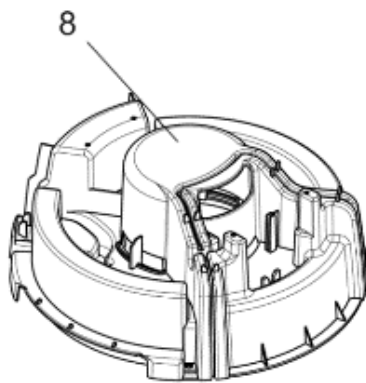
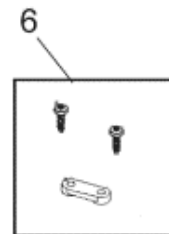
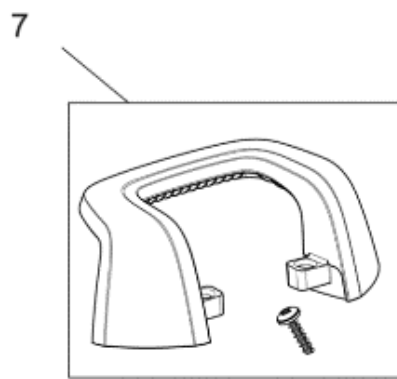
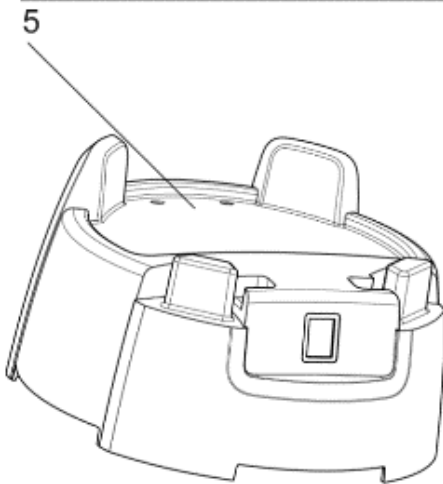
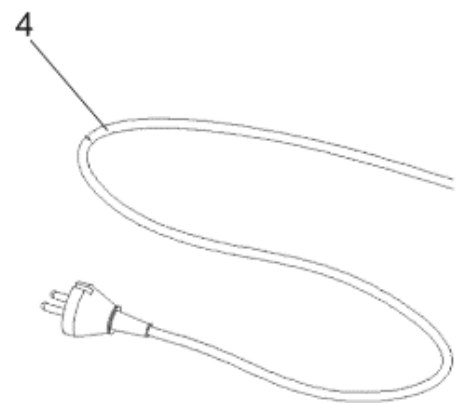
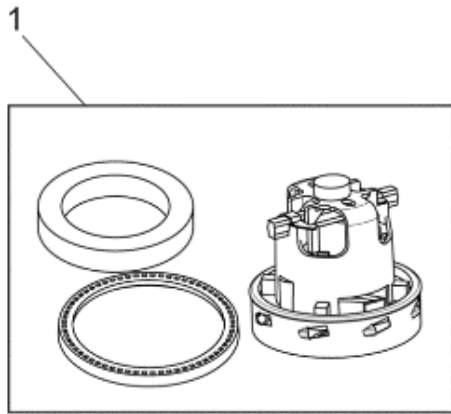
# Motor top GD 320

GWD 320 / 335 / 350 / 375

11-07-2009

Part List ID B5933

3



# Motor top GD 320

GWD 320 / 335 / 350 / 375

11-07-2009

Part List ID

B5933

4

Pos	Part no.	Qty	Description	EAN
1	140 8689 500	1	FAN UNIT BP 1350W 220-240V	7319519639
1	140 8689 510	1	FAN UNIT BP 1350W 100-120V	7319519639
1	140 8689 520	1	FAN UNIT BP 1000W 100-120V	7319519658
3	140 9537 500	2	SWITCH TWO POLE 2 PCS	7319519639
4	12003805	1	CORD SET US/JP CPL. L 15M	5715492003
4	12222501	1	CORD SET EU L 10M	5715492008
4	12222503	1	CORD SET UK L 10M	5715492008
4	12222506	1	CORD SET AU/NZ L 10M	5715492008
5	140 8652 500	1	COVER OUTER	7319519640
6	140 6560 500	1	ANTI STRAIN CLIP	7319519640
7	140 8650 500	1	HANDLE	7319519640
8	140 8653 500	1	COVER FAN UNIT	7319519640
9	140 7042 500	1	WIRE INTERNAL FOR GWD 300	7319519640
10	140 8664 500	1	CHASSIS	7319519640
11	140 8659 500	1	BASKET GD 320	7319519640
12	140 8698 510	1	HOLDER ACCESSORIES 32MM BLACK	7319519646
NI	140 9582 000	1	CARTON GWD 320 LINEDRAWING	7319519638
			BOX FOR RE-PACK	

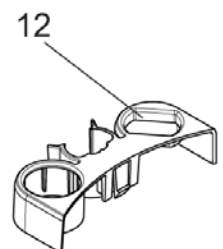
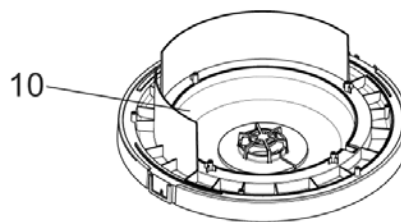
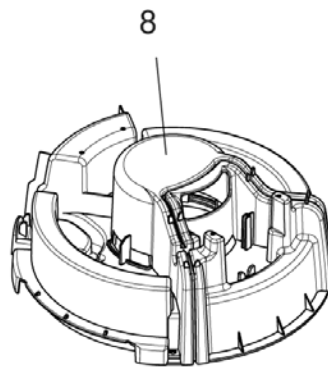
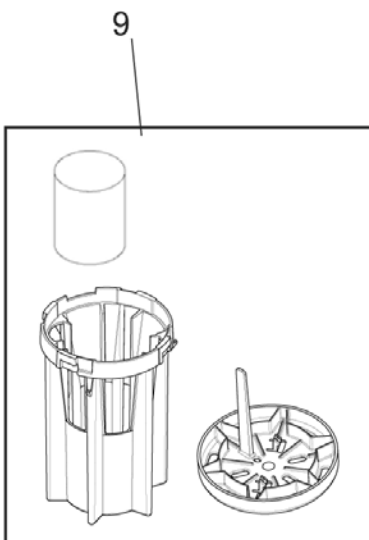
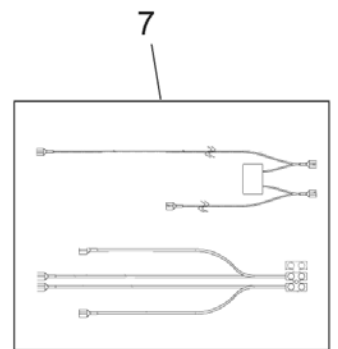
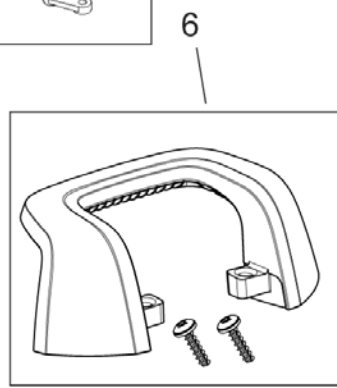
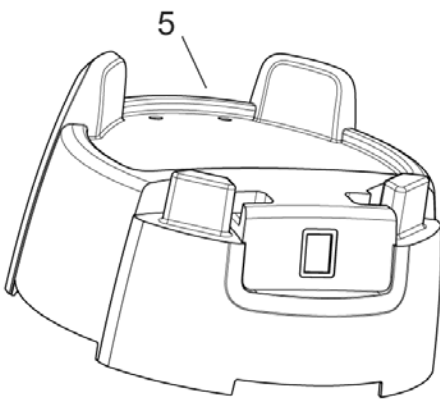
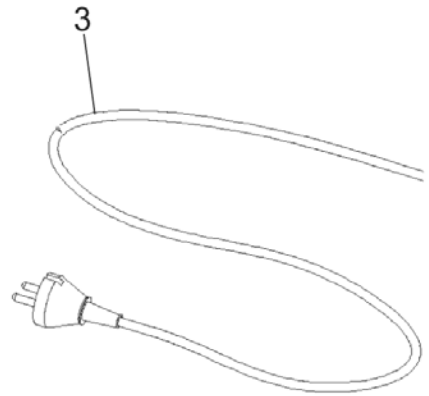
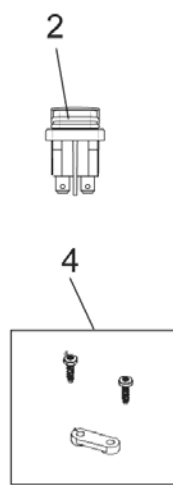
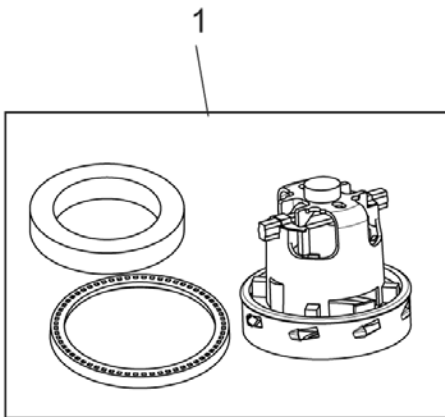
# Motor top GWD 320, GWD 335

GWD 320 / 335 / 350 / 375

11-07-2009

Part List ID  
B5935

5



# Motor top GWD 320, GWD 335

GWD 320 / 335 / 350 /375

11-07-2009

Part List ID

B5935

6

Pos	Part no.	Qty	Description	EAN
1	140 8689 500	1	FAN UNIT BP 1350W 220-240V	7319519639
1	140 8689 510	1	FAN UNIT BP 1350W 100-120V	7319519639
2	140 9537 500	2	SWITCH TWO POLE 2 PCS	7319519639
3	12003805	1	CORD SET US/JP CPL. L 15M	5715492003
3	12222501	1	CORD SET EU L 10M	5715492008
3	12222503	1	CORD SET UK L 10M	5715492008
3	12222506	1	CORD SET AU/NZ L 10M	5715492008
3	147 1042 010	1	CORD SET CHINA 12.5M	7319519659
4	140 6560 500	1	ANTI STRAIN CLIP	7319519640
5	140 8652 500	1	COVER OUTER	7319519640
6	140 8650 500	1	HANDLE	7319519640
7	140 7042 500	1	WIRE INTERNAL FOR GWD 300	7319519640
8	140 8653 500	1	COVER FAN UNIT	7319519640
9	140 8680 500	1	FLOAT BASKET	7319519640
10	140 8664 500	1	CHASSIS	7319519640
11	147 1119 500	1	FLOAT BASKET ADAPTER	7319519660
12	140 8698 510	1	HOLDER ACCESSORIES 32MM BLACK	7319519646
NI	140 9583 000	1	CARTON GWD 335 LINEDRAWING	7319519638
			BOX FOR RE-PACK	

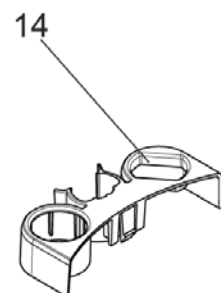
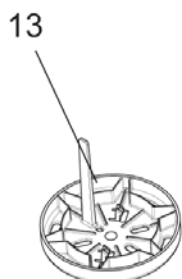
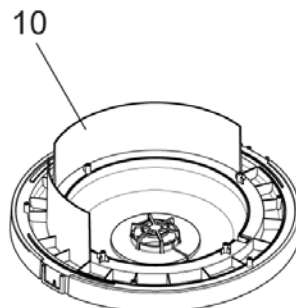
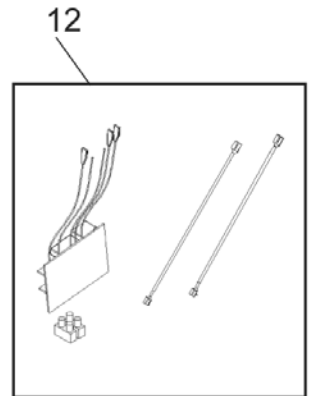
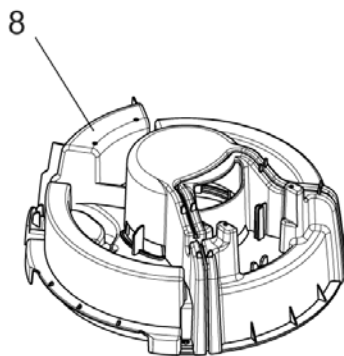
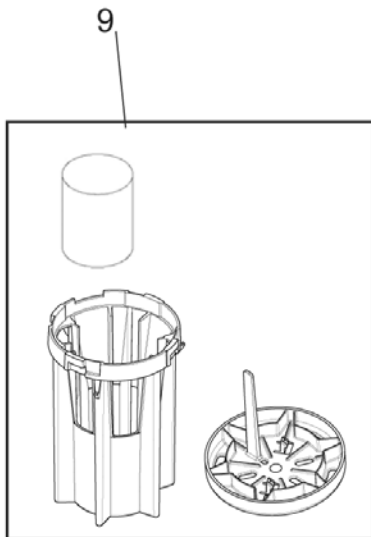
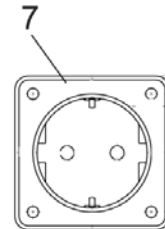
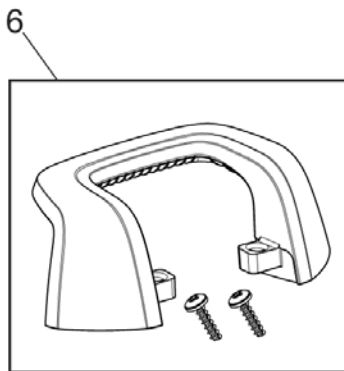
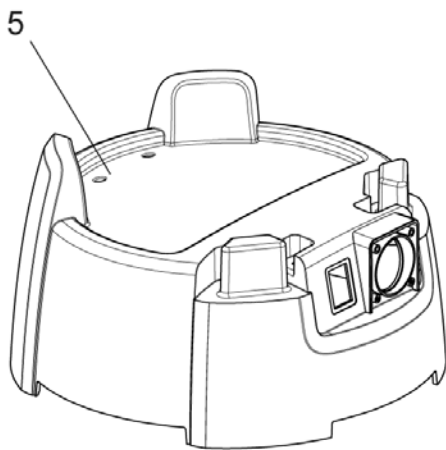
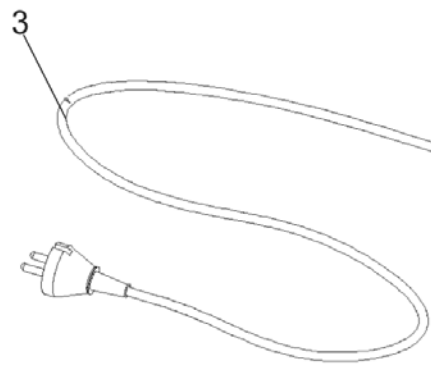
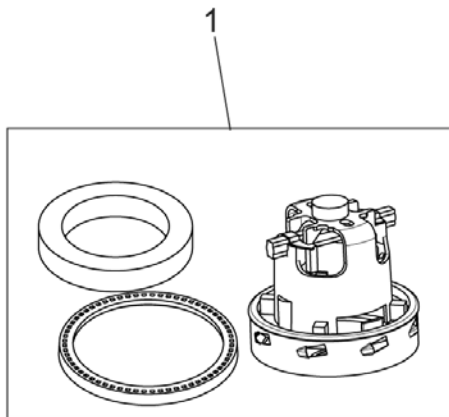
# Motor top GWD 320 Craftsman

GWD 320 / 335 / 350 / 375

11-07-2009

Part List ID B5937

7



# Motor top GWD 320 Craftsman

GWD 320 / 335 / 350 / 375

11-07-2009

Part List ID

B5937

8

Pos	Part no.	Qty	Description	EAN
1	140 8689 500	1	FAN UNIT BP 1350W 220-240V	7319519639
1	140 8689 510	1	FAN UNIT BP 1350W 100-120V	7319519639
1	140 8689 520	1	FAN UNIT BP 1000W 100-120V	7319519658
2	140 8677 500	2	SWITCH CRAFTSMAN GWD 320	7319519640
3	140 5669 500	1	CORD SET EU 10.5M	7319519640
3	140 6777 500	1	CORD SET UK 10M	7319519640
3	140 6777 510	1	CORD SET AU/NZ 10MCRAFTSMAN	7319519640
4	140 6560 500	1	ANTI STRAIN CLIP	7319519640
5	140 8666 500	1	COVER OUTER CRAFTSMAN GREY	7319519641
6	140 8650 500	1	HANDLE	7319519640
7	140 8690 500	1	ELECTRICAL OUTLET F/EU-PLUG	7319519640
7	140 8690 510	1	ELECTRIC OUTLET F/UK-PLUG	7319519640
7	140 8690 520	1	ELECTRIC OUTLET F/AU/NZ PLUG	7319519640
8	140 8653 500	1	COVER FAN UNIT	7319519640
9	140 8680 500	1	FLOAT BASKET	7319519640
10	140 8664 500	1	CHASSIS	7319519640
12	140 8679 500	1	CIRCUIT BOARD	7319519640
13	147 1119 500	1	FLOAT BASKET ADAPTER	7319519660
14	140 8698 510	1	HOLDER ACCESSORIES 32MM BLACK	7319519646



# Motor top one motor, GWD 350, GWD 3

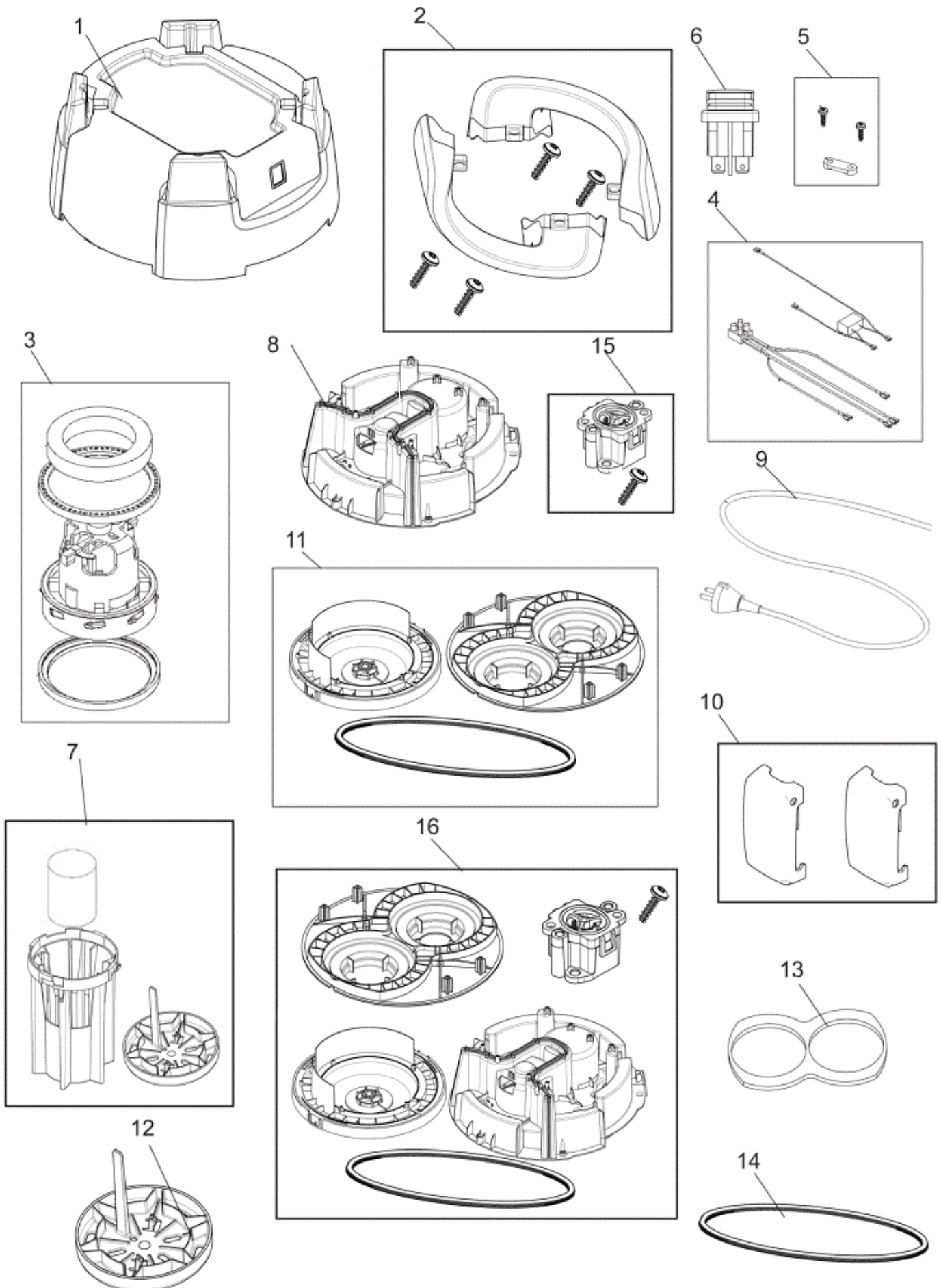
GWD 320 / 335 / 350 / 375

11-07-2009

Part List ID

B5939

9



# Motor top one motor,GWD 350, GWD 3

GWD 320 / 335 / 350 /375

11-07-2009

Part List ID

B5939

10

Pos	Part no.	Qty	Description	EAN
1	140 9531 500	1	COVER OUTER GWD 350/375	7319519640
2	140 9527 500	2	HANDLE GWD 350/375	7319519640
3	140 8689 500	1	FAN UNIT BP 1350W 220-240V	7319519639
3	140 8689 510	1	FAN UNIT BP 1350W 100-120V	7319519639
4	140 7620 500	1	SUPPRESSOR EU/UK/AU/NZ	7319519640
5	140 6560 500	1	ANTI STRAIN CLIP	7319519640
6	140 9537 500	2	SWITCH TWO POLE 2 PCS	7319519639
7	140 8680 500	1	FLOAT BASKET	7319519640
8	140 9523 500	1	COVER FAN UNIT GWD350/375	7319519640
9	12003805	1	CORD SET US/JP CPL. L 15M	5715492003
9	12222501	1	CORD SET EU L 10M	5715492008
9	12222503	1	CORD SET UK L 10M	5715492008
9	12222506	1	CORD SET AU/NZ L 10M	5715492008
10	140 8691 500	2	LATCHES DARK GREY 2 PCS	7319519639
11	140 9508	1	CHASSIS GWD 350/375	1-motor Grey 7319519640
13	140 9529 500	1	SOUND ABSORBER	7319519660
14	140 9509 500	1	GASKET FOR GWD 350/375	7319519665
15	147 1225 520	1	VACUUM VALVE CPL.	For 1350 Fan unit 7319519671
16	147 1448 500	1	CONVERSION KIT GWD 350/375	1 motor grey 7319519671
16	147 1448 520	1	CONVERSION KIT GWD 350/375	1 motor grey UL 7319519671
NI	140 9588 000	1	CARTON GWD 350 LINEDRAWING	BOX FOR RE-PACK 7319519638
NI	140 9588 010	1	CARTON GWD 350	BOX FOR RE-PACK 7319519640
NI	140 9589 000	1	CARTON GWD 375 LINEDRAWING	BOX FOR RE-PACK 7319519638
NI	140 9589 010	1	CARTON GWD 375	BOX FOR RE-PACK 7319519638

Since the vacuum safety valve (Part number 147 1225 520) was introduced, an old motor cover could no longer be fitted with a new chassis and vice versa. Therefore the conversion kit (Item number 16) Part number 147 1448 5x0 are introduced. The conversion kit contains all the necessary parts to rebuild the motor tops to the new design. After this modification the machine will be according to the new updated specs with safety valve and can be fitted with separately spare parts.

In other words, this modification needs only to be performed once.

Machines that are older than serial no.; 0803 067937 needs this modification to be able to fit a new part

# Motor top two motor, GWD 350, GWD :

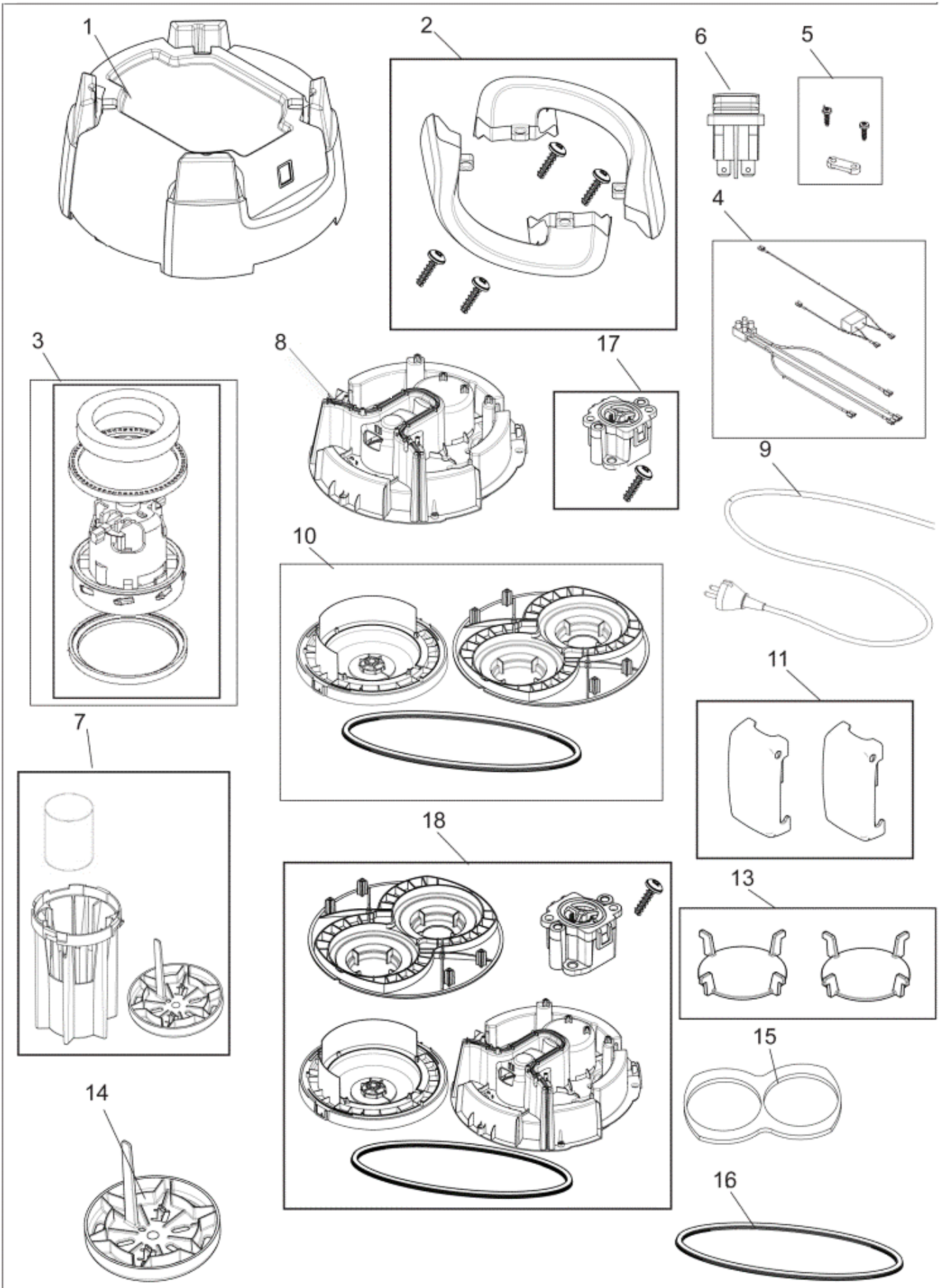
GWD 320 / 335 / 350 / 375

11-07-2009

Part List ID

B59311

11



# Motor top two motor, GWD 350, GWD :

## GWD 320 / 335 / 350 /375

11-07-2009

Part List ID

B59311

12

Pos	Part no.	Qty	Description	EAN
1	140 9531 500	1	COVER OUTER GWD 350/375	7319519640
1	140 9533 500	1	COVER OUTER GWD 350/375 1 FAN UNIT	7319519640
2	140 9527 500	2	HANDLE GWD 350/375	7319519640
3	140 8689 500	1	FAN UNIT BP 1350W 220-240V	7319519639
3	140 8689 510	1	FAN UNIT BP 1350W 100-120V	7319519639
4	140 7620 530	1	SUPPRESSOR EU/UK/AU/NZ	7319519640
5	140 6560 500	1	ANTI STRAIN CLIP	7319519640
6	140 9537 500	2	SWITCH TWO POLE 2 PCS	7319519639
7	140 8680 500	1	FLOAT BASKET	7319519640
8	140 9523 500	1	COVER FAN UNIT GWD350/375	7319519640
9	12003805	1	CORD SET US/JP CPL. L 15M	5715492003
9	12222501	1	CORD SET EU L 10M	5715492008
9	12222503	1	CORD SET UK L 10M	5715492008
9	12222506	1	CORD SET AU/NZ L 10M	5715492008
10	140 9508 510	1	CHASSIS GWD 350/375	7319519640
			2-motor grey	
11	140 8691 500	2	LATCHES DARK GREY 2 PCS	7319519639
13	140 9526 500	2	VALVE DISC GWD 350/375	7319519640
14	147 1119 500	1	FLOAT BASKET ADAPTER	7319519660
15	140 9529 500	1	SOUND ABSORBER	7319519660
16	140 9509 500	1	GASKET FOR GWD 350/375	7319519665
17	147 1225 510	1	VACUUM VALVE CPL.	7319519671
			For 1000W Fan unit	
17	147 1225 520	1	VACUUM VALVE CPL.	7319519671
			For 1350W Fan unit	
18	147 1448 510	1	CONVERSION KIT GWD 350/375	7319519671
			2-motor	
18	147 1448 530	1	CONVERSION KIT GWD 350/375	7319519671
			2-motor UL	

Since the vacuum safety valve (Part number 147 1225 520) was introduced, an old motor cover could no longer be fitted with a new chassis and vice versa. Therefore the conversion kit (Item number 18) Part number 147 1448 5x0 are introduced. The conversion kit contains all the necessary parts to rebuild the motor tops to the new design. After this modification the machine will be according to the new updated specs with safety valve and can be fitted with separately spare parts.

In other words, this modification needs only to be performed once.

Machines that are older than serial no.; 0803 067937 needs this modification to be able to fit a new part

# Container, GWD 320, GWD 335

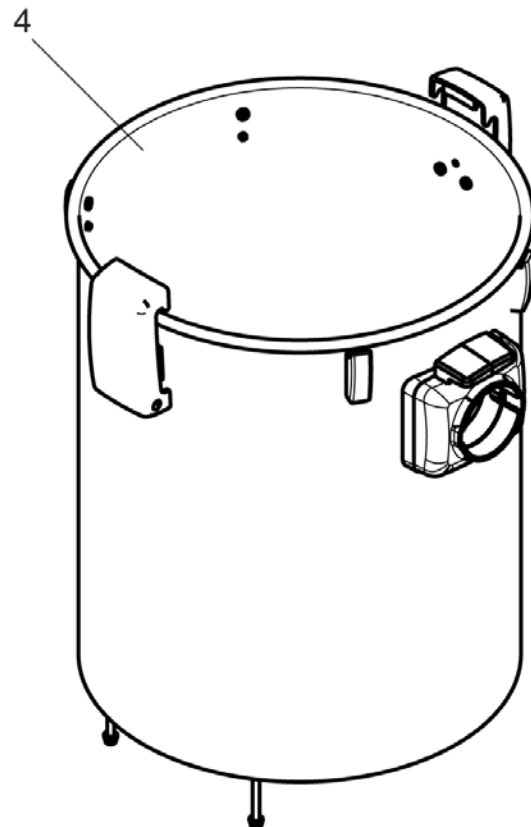
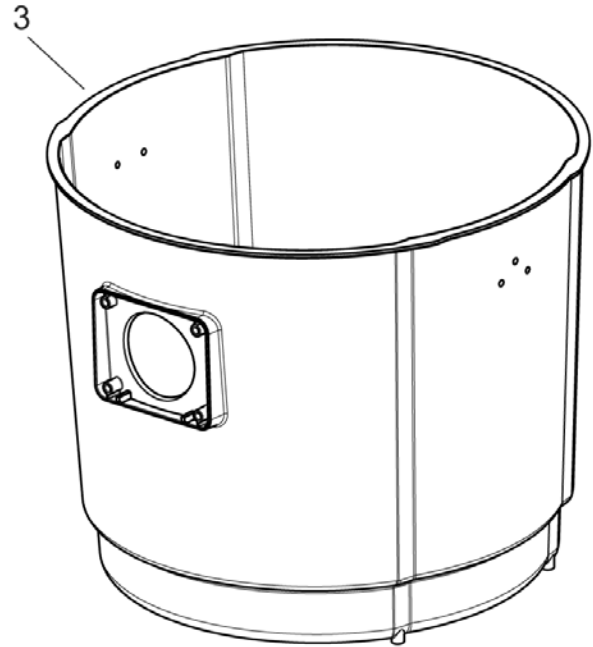
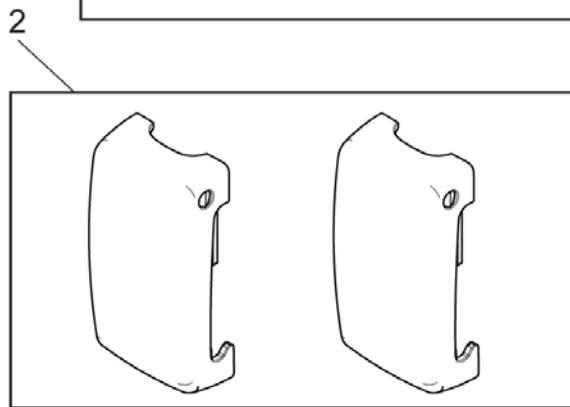
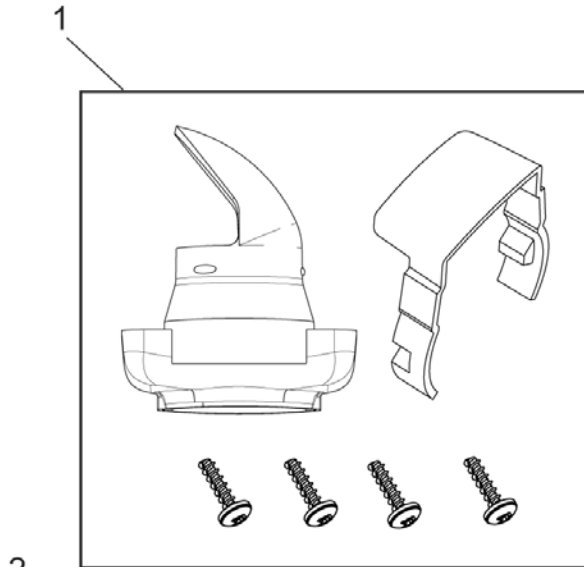
GWD 320 / 335 / 350 / 375

11-07-2009

Part List ID

B59313

13



# Container, GWD 320, GWD 335

GWD 320 / 335 / 350 /375

11-07-2009

Part List ID

B59313

14

Pos	Part no.	Qty	Description	EAN
1	140 7204 500	1	INLET	7319519640
2	140 8691 500	2	LATCHES DARK GREY 2 PCS	7319519639
3	140 8660 500	1	CONTAINER 20L	7319519640
3	140 8672 500	1	CONTAINER 35L	7319519640
4	147 1122 500	1	CONTAINER 35L CPL STEEL D.GREY	7319519660

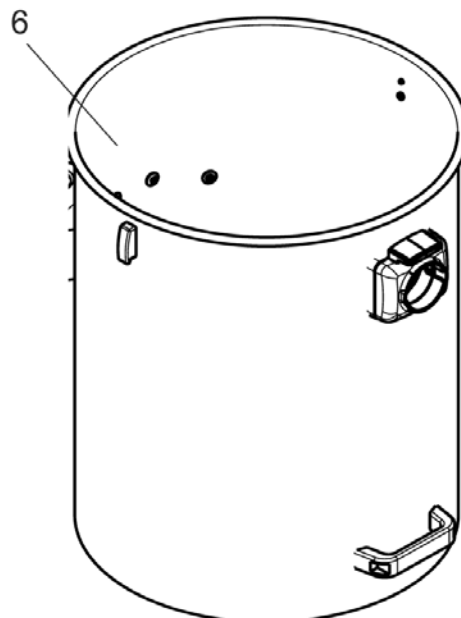
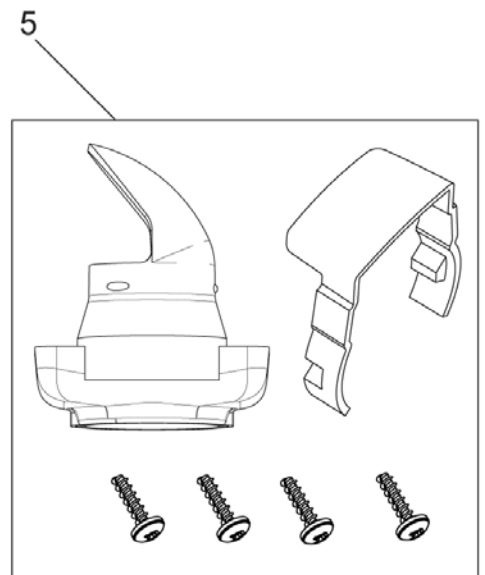
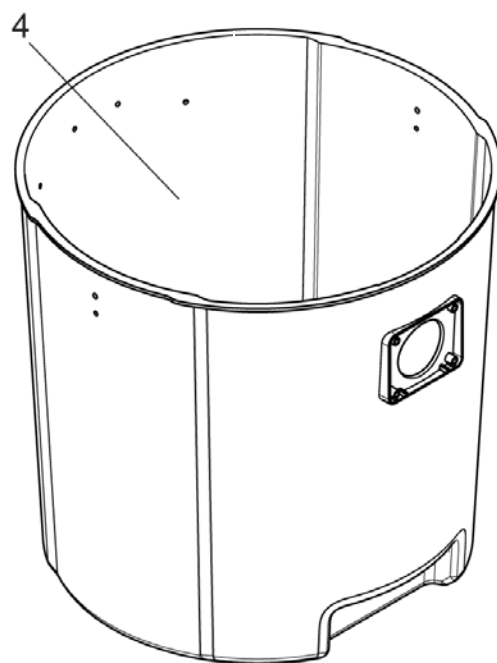
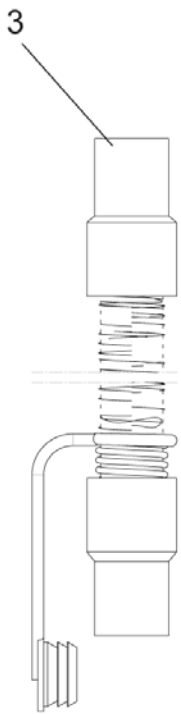
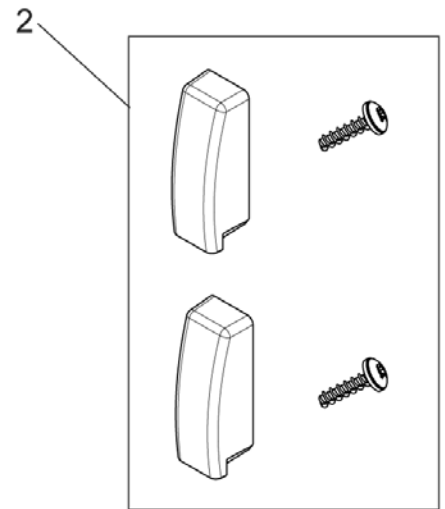
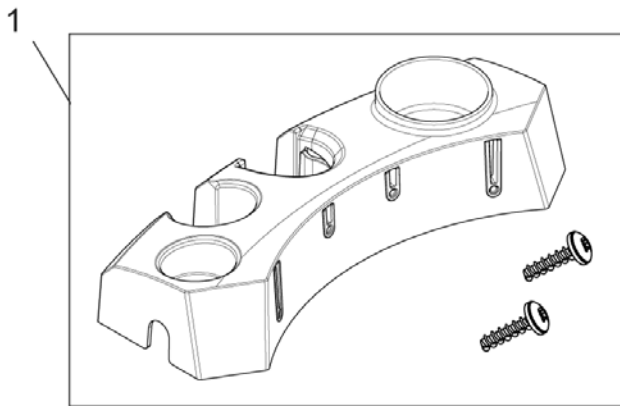
# Container, GWD 350, GWD 375

GWD 320 / 335 / 350 / 375

11-07-2009

Part List ID  
B59315

15



# Container, GWD 350, GWD 375

GWD 320 / 335 / 350 /375

11-07-2009

Part List ID

B59315

16

Pos	Part no.	Qty	Description	EAN
1	140 9517 500	1	BRACKET CONTAINER	7319519640
2	140 8685 500	2	HOOK CONTAINER	7319519640
3	140 7604 500	1	HOSE 32X530 GWD/MAXXI	7319519640
4	140 9514 500	1	CONTAINER 75L GWD 375	7319519640
4	140 9515 500	1	CONTAINER 50L GWD 350	7319519640
5	140 7204 500	1	INLET	7319519640
6	147 1123 500	1	CONTAINER 75L CPL STEEL D.GREY	7319519660



# Trolleys, GD 320, GWD 320, 335, 350, 3

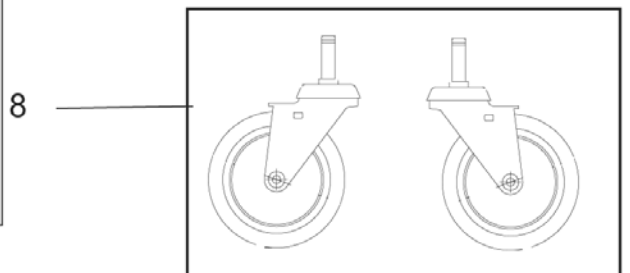
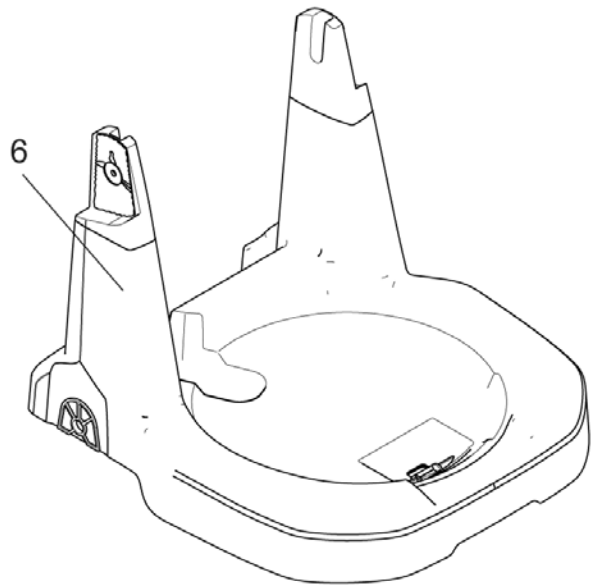
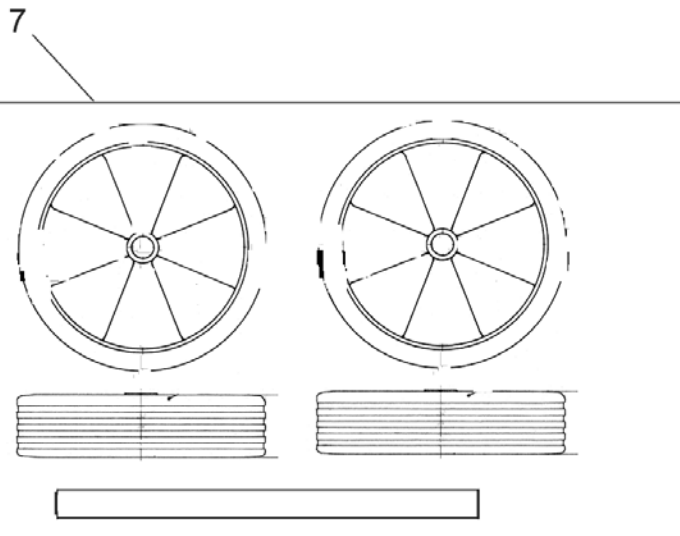
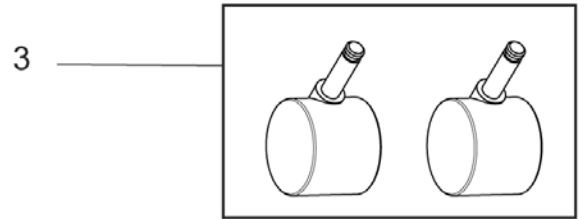
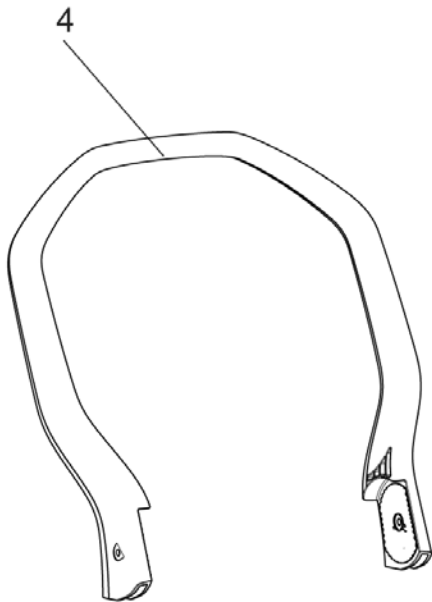
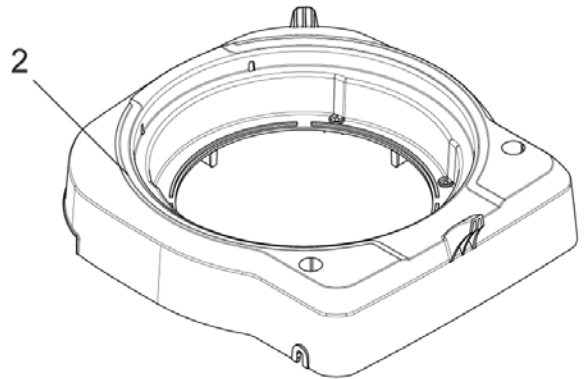
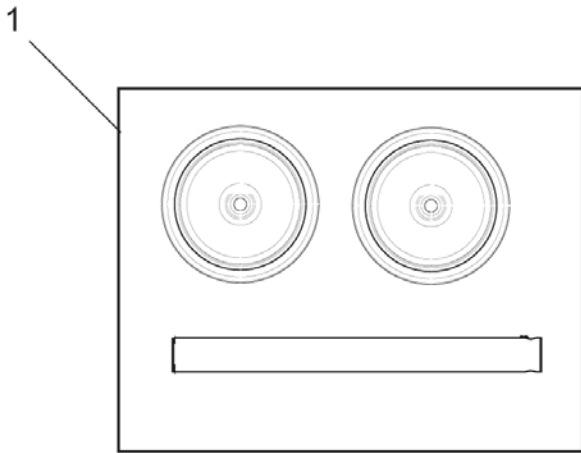
GWD 320 / 335 / 350 / 375

11-07-2009

Part List ID

B59317

17



# Trolleys, GD 320, GWD 320, 335, 350, 3

GWD 320 / 335 / 350 / 375

11-07-2009

Part List ID

B59317

18

Pos	Part no.	Qty	Description	EAN
1	140 8446 600	2	WHEEL REAR 2 PCS	7319519639
2	140 8662 500	1	FRAME FOR TROLLEY	7319519641
3	140 6422 500	2	WHEELS LINK 50MM	7319519631
4	140 9519 500	1	HANDLE TROLLEY	7319519641
5	140 9544 500	1	SHAFT	7319519641
6	140 9518 500	1	FRAME FOR TROLLEY	7319519641
7	140 8156 500	2	WHEEL TROLLEY 2 PCS	7319519641
8	140 5476 500	2	WHEEL LINK TROLLEY 2-P	7319519641

**Note:**

Item 1 to 3 are related to: 320 GWD 320, GWD 335

Item 4 to 8 are related to: GWD 350 & GWD 375

# Front nozzle, GWD 350, GWD 375 (EU-UK-AI)

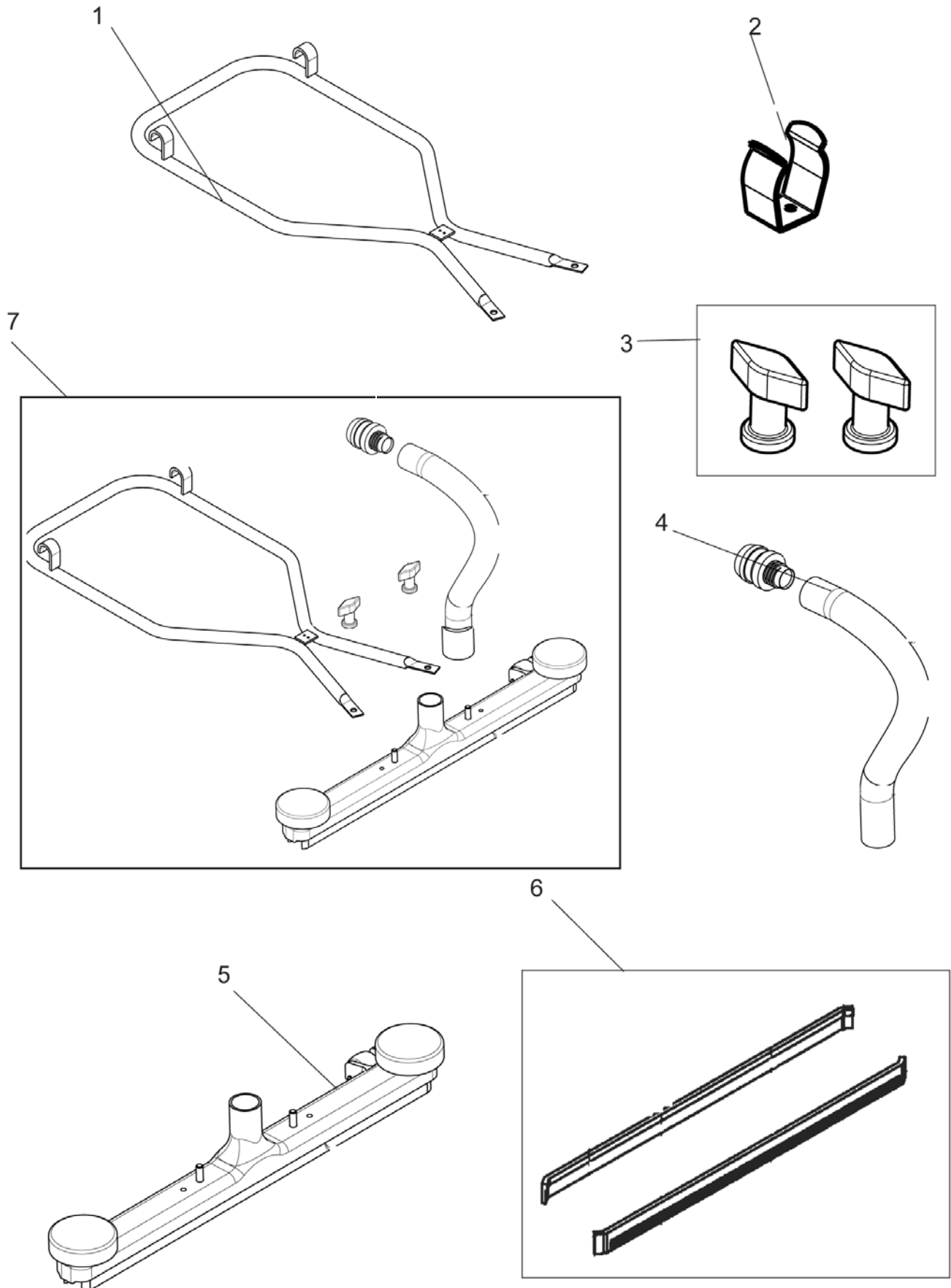
GWD 320 / 335 / 350 / 375

11-07-2009

Part List ID

B59319

19



# Front nozzle, GWD 350, GWD 375 (EU-UK-AI)

GWD 320 / 335 / 350 / 375

11-07-2009

Part List ID

B59319

20

Pos	Part no.	Qty	Description	EAN
1	140 9546 500	1	FRAME F. FRONT NOZZLE	7319519641
2	140 9558 500	1	CLAMP 22MM	7319519641
3	140 7947 500	2	NUT THUMB 5/16	7319519641
4	140 2148 500	1	HOSE D38 FOR FRONT NOZZLE	7319519641
5	56209088	1	24 SQUEEGEE ASSY.	
6	56105533	2	BLADE BLUE FOR 24 E00601	
7	140 9556 500	1	FRONT NOZZLE COMPL.	7319519641

# Nozzles and hoses. All models

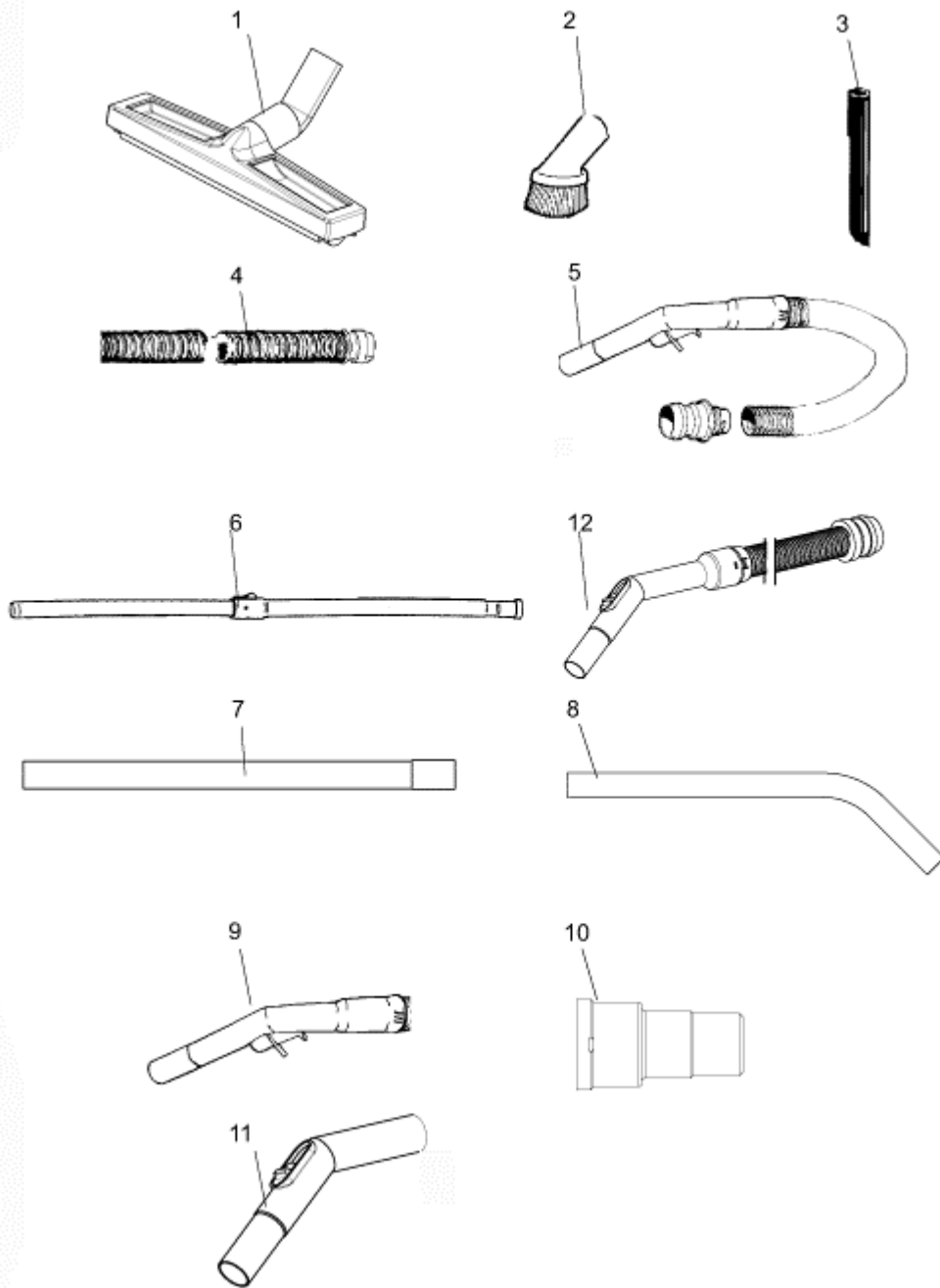
GWD 320 / 335 / 350 / 375

11-07-2009

Part List ID

B59321

21



# Nozzles and hoses. All models

GWD 320 / 335 / 350 /375

11-07-2009

Part List ID

B59321

22

Pos	Part no.	Qty	Description	EAN
1	140 9598 500	1	NOZZLE WET RUBB.STRIP D32	7319519639
1	140 9598 510	1	NOZZLE DRY BRUSH D32	7319519639
1	140 9598 520	1	NOZZLE WET D40	7319519641
1	140 9598 530	1	NOZZLE DRY BRUSH D40	7319519641
2	140 8244 500	1	BRUSH NOZZLE KIT	7319519658
3	140 8012 000	1	CREVICE NOZZLE D32	7319519607
3	140 9599 500	1	NOZZLE CREVICE D40 BLACK	7319519641
4	140 9595 500	1	HOSE PLASTIC 40MM	7319519641
5	140 6430 500	1	HOSE PLASTIC D32	7319519631
6	81906500	1	TUBE TELESC.LENGTH MAX 1130 MM	5715492011
7	140 8246 040	1	EXTENSION TUBE STEEL D32	7319519607
7	140 9597 500	1	EXTENSION TUBE STEEL 40MM	7319519641
8	140 9596 500	1	HOSE HANDLE STEEL 40MM	7319519641
9	140 7584 500	1	HOSE HANDLE CPL.	7319519631
10	60916	1	TOOL SOCKET D27/35/38	4005337609
11	147 1003 500	1	BENT END D32	7319519657
			For Craftsman versions	
12	147 1002 500	1	HOSE CPL GWD CRAFTSMAN	7319519656

## NOTE

Ø32 mm accessories for GD 320, GWD 320 GWD 335.

Ø40 mm accessories for GWD 350 and GWD 375.

60916 Tool socket Ø27/35/38, is used between the hose and the electrical tool, at the models GWD 320 Craftsman, GWD 335 Craftsman.

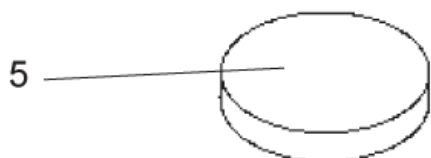
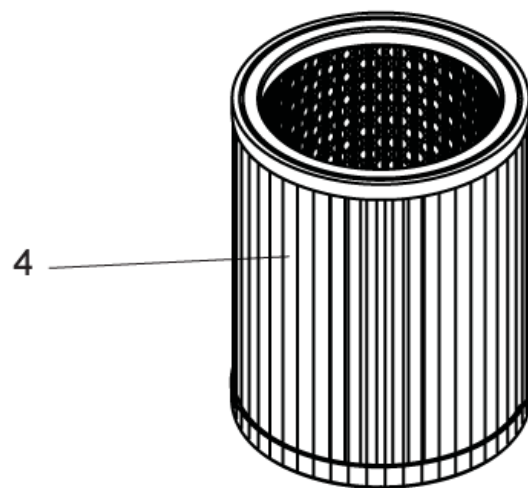
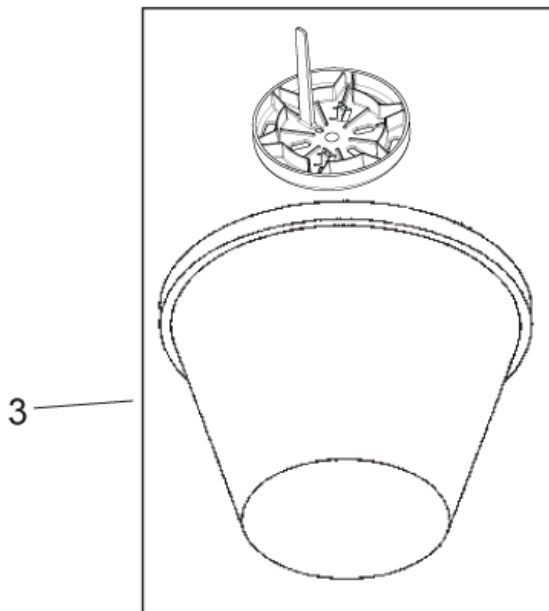
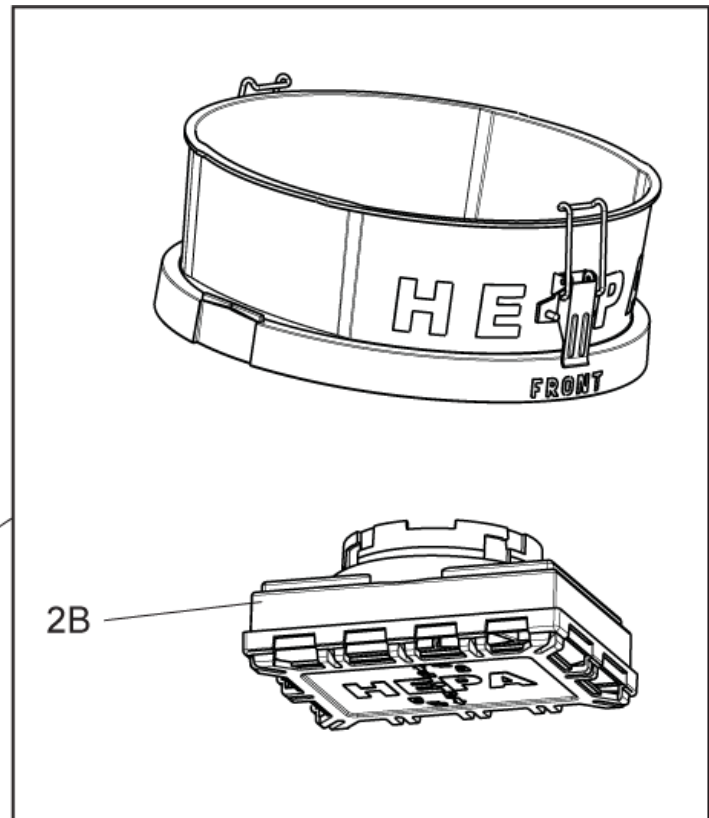
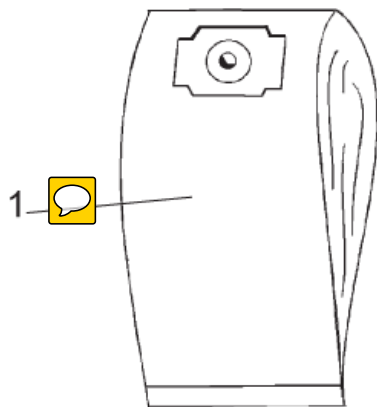
# Filter and dustbags. All models

GWD 320 / 335 / 350 / 375

11-07-2009

Part List ID  
B59323

23



# Filter and dustbags. All models



GWD 320 / 335 / 350 /375

11-07-2009

Part List ID

B59323

24

Pos	Part no.	Qty	Description	EAN
1	147 0745 010	3	DUST BAG GWD/MAXXI 3PCS 	5715492032
1	147 0746 010	3	DUST BAG SELF CLOSE 3 PCS 	5715492032
2	140 8670 500	1	COVER HEPA GWD 320/335	7319519647
			Not for model 350 and 375	
3	140 8658 500	1	FILTER SACK GWD/MAXXI	7319519639
			Wet & Dry filter, for GWD 320, 335	
3	140 8658 510	1	FILTER SACK GD 320	7319519639
			Dry filter, for GD 320	
3	140 8658 520	1	FILTER SACK NYLON CPL GWD 300	7319519656
			Nylon filter, for GWD 320, 335	
3	140 8658 530	1	FILTER SACK WET GWD/MAXXI	7319519671
			Wet filter, for GWD 320, 335	
3	140 9512 500	1	FILTER SACK GWD/MAXXI	7319519641
			Wet & Dry filter, for GWD 350, 375	
3	140 9512 510	1	FILTER SACK WET GWD/MAXXI	7319519671
			Wet filter, for GWD 350, 375	
4	140 8686 500	1	FILTER CARTRIDGE	7319519641
5	140 8682 500	1	MOTOR FILTER	7319519639
2B	140 8678 500	1	FILTER HEPA CPL.	7319519644