

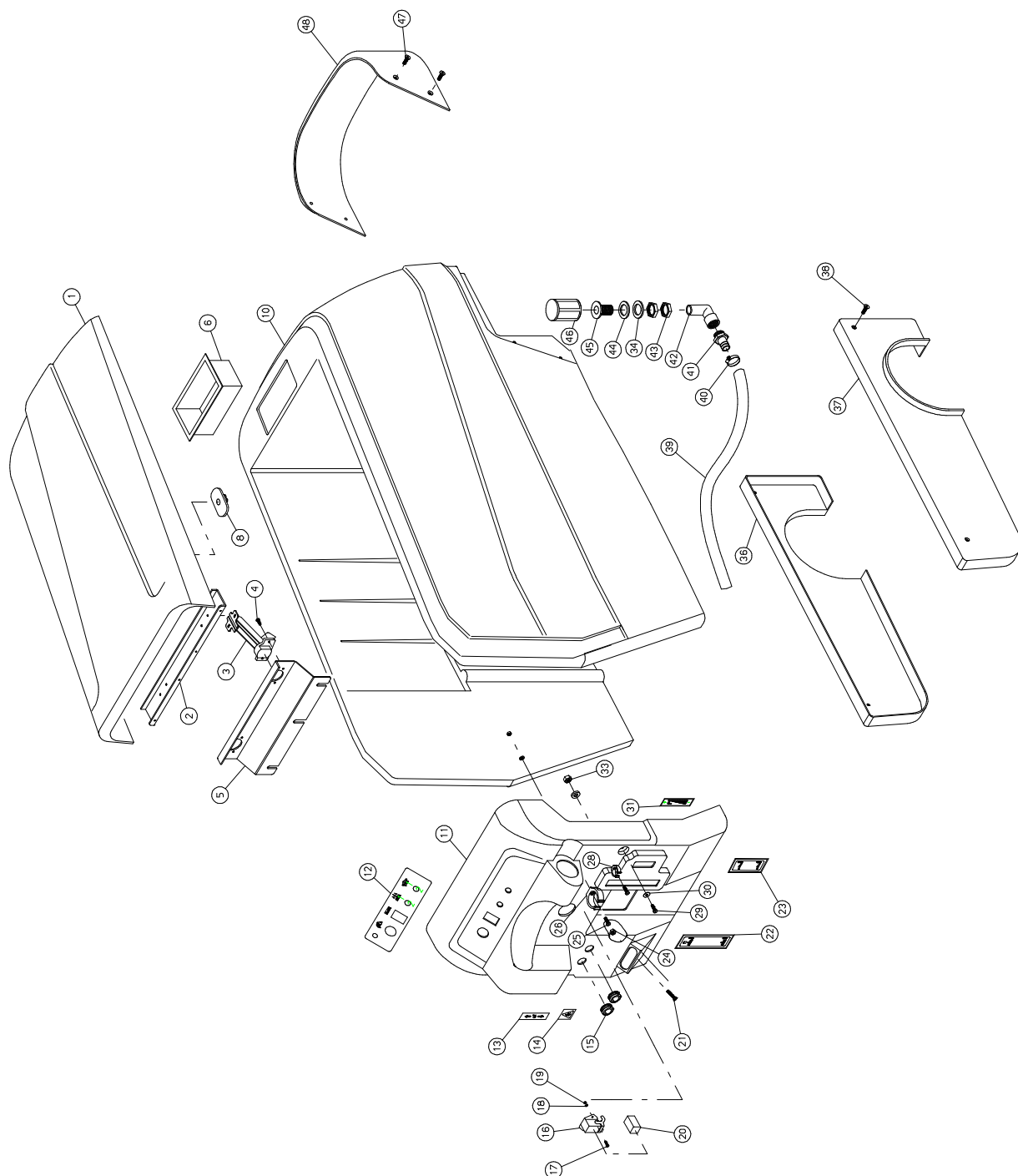


I21-I26 NEW

PARTI DI RICAMBIO
SPARE PARTS
PIECES DETACHEES
ERSATZTEILE



ING. O. FIORENTINI
INDUSTRIAL CLEANING MACHINE

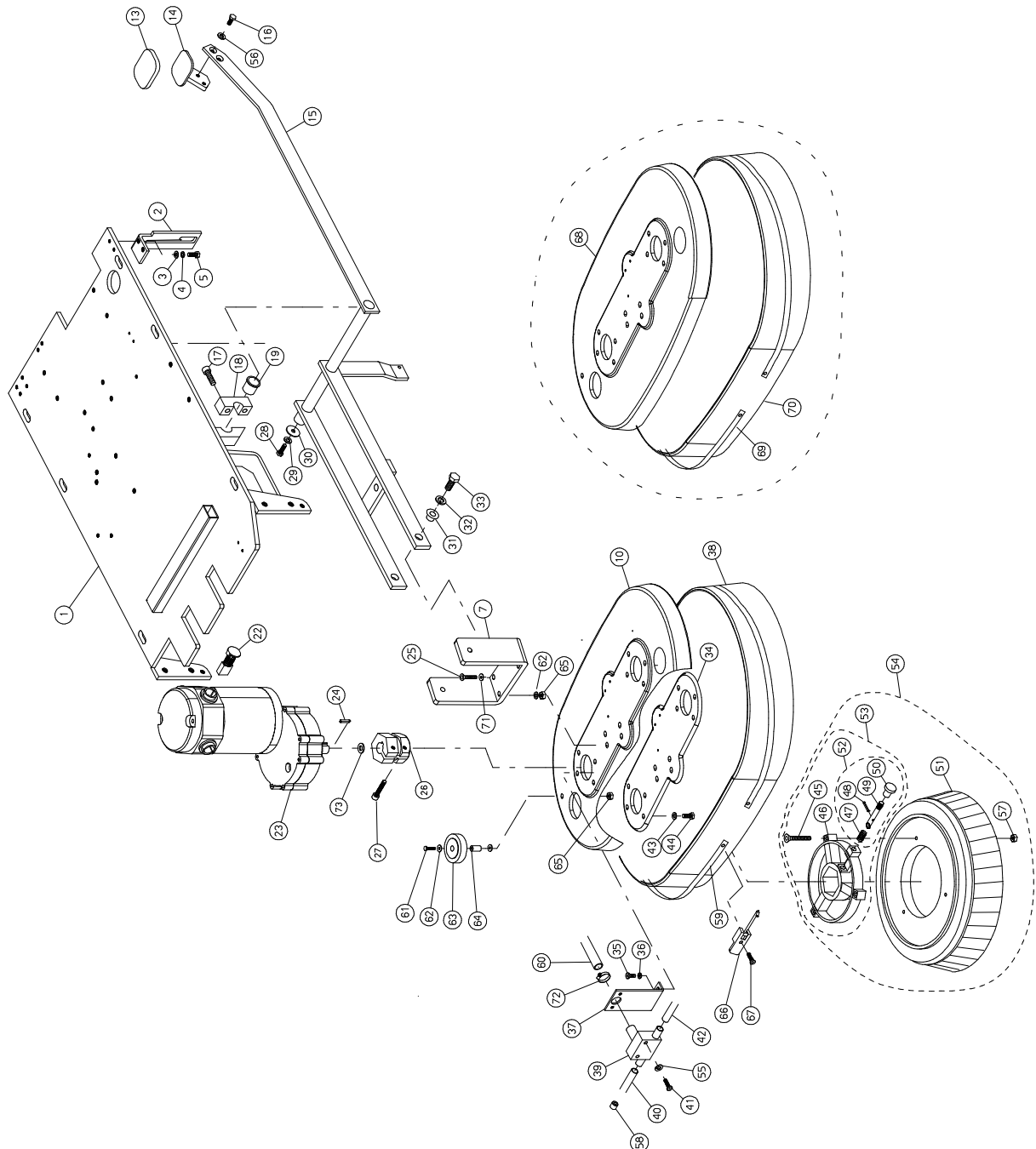




N.Position	Code Num	Qta	Descrizione	Description	Description	Bezeichnung
32N.01.001	CO138G	1	COFANO VANO BATT.I21/26 GRI	BATTERY COVER	COUVERCLE	DECKEL
32N.01.002	LM336	1	LAMIERA ATTACCO CERNIERE COFANO ANT	SHEET	TOLE	BLECH
32N.01.003	MI043	2	CERNIERA SOLL.SERB.+BASETTA	LIFT. HINGE	CHARNIERE	SCHARNIER
32N.01.004	VC403	8	VITE CILIN.CROCE M4x12 UNI 7687 INO	SCREW	VIS	SCHRAUBE
32N.01.005	LM335	1	LAMIERA SUPPORTO COFANO ANTERIORE	SHEET	TOLE	BLECH
32N.01.006	RE013	1	RETE PER SERBATOIO SOLUZIONE	TANK FILTER	FILTRE	FILTER
32N.01.008	SU511	1	CARTER SUPPORTO VITE	PLAQUE	PLAQUE	PLATTCHEN
32N.01.010	SB078	1	SERBATOIO SOLUZIONE I21-26 -BIANCO-	SOLUTION TANK	RESERVOIR	BEHAELTER
32N.01.011	PL031G	1	CARTER PLAN.COM.GRIGIA	PLAQUE	PLAQUE	PLATTCHEN
32N.01.012	TG092	1	TARGHETTA PLANCIA COMANDI	DASH BOARD STICKER	ETIQUETTE	INSTRUMENTENBRETTSCHE
32N.01.013	TG043	1	TARGHETTA MARCIA AVANTI-INDIETRO	PLATE	PLAQUE	GEFAHRSSCHILD
32N.01.014	TG042	1	TARGHETTA INTERRUPTORE EMERGENZA	PLATE	PLAQUE	SCHILD
32N.01.015	PY240	2	PASSACAVO TELAIO MEDIO	FAIRLEAD	PASSE-CABLE	KABELDURCHGANG
32N.01.016	PY701	1	CUSTODIA PER SPINA FEMMINA 90°	RUBBER TOP CASE	CAOUTCHOUC	REIFEN
32N.01.017	VC302	2	VITE CILIN. TAGLIO M3x20 UNI 7689-	SCREW M3x20	VIS	SCHRAUBE
32N.01.018	RO306	2	RONDELLA SLARGATA 3x10	INOX WASHER	RONDELLE	SCHEIBE
32N.01.019	DD250	2	DADO AUTOBLOCCANTE M3	SELF-LOCKING NUT	ECROU DE SURETE	MUTTER
32N.01.020	PY527	1	CONNETTORE FEMMINA 4 POLI	CONNECTOR	CONNECTEUR	STECKER
32N.01.021	VC416	2	VITE CILIN.CROCE M5x30 UNI 7687 IN	SCREW	VIS	SCHRAUBE
32N.01.022	TG044	1	TARGHETTA ALZA-ABBASSA SPAZZOLE	PLATE	PLAQUE	GEFAHRSSCHILD
32N.01.023	TG045	1	TARGHETTA ALZA-ABBASSA SQUEEGEE	PLATE	PLAQUE	GEFAHRSSCHILD
32N.01.024	DD452	2	DADO AUTOBLOCCANTE M5 INOX	INOX SELF-LOCKING NUT	ECROU DE SURETE	SICHERUNGSMUTTER
32N.01.025	VC413	2	VITE CILIN.CROCE M5x16 UNI 7687 INO	SCREW	VIS	ZYLINDERSCHRAUBE
32N.01.026	ML022	1	MOLLA PER TUBO FLEX	SPRING	RESSORT	FEDER
32N.01.028	ML191	1	MOLLA ATTACCO TUBO D.16	SPRING	RESSORT	FEDER
32N.01.029	VS414	2	VITE SVASATA TC M5x16 UNI7688 INOX	SCREW	VIS	SENKSCHRAUBE
32N.01.030	RO500	4	RONDELLA SLARG.D.5X15 UNI6592/69 IN	INOX WASHER	RONDELLE	SCHEIBE
32N.01.031	TG041	1	TARGHETTA RUBINETTO SOLUZIONE	PLATE	PLAQUE	HEBELSCHILD
32N.01.033	DD252	2	DADO AUTOBLOCCANTE M5	SELF-LOCKING NUT M5	ECROU DE SURETE	SICHERUNGSMUTTER
32N.01.034	RO420	1	RONDELLA NORM.DIAM. 20 UNI 6592/69	INOX WASHER	RONDELLE	SCHEIBE
32N.01.036	PA167	1	MINIGON.LAT. SX BLU -	BUMPER	GARDE-BOUE	PUFFER
32N.01.037	PA166	1	MINIGON.LAT.DX. BLU -	BUMPER	GARDE-BOUE	PUFFER
32N.01.038	VS413	4	VITE SVASATA TC M5x12 UNI 7688 INOX	SCREW	VIS	SENKSCHRAUBE
32N.01.039	TB132	1	TUBO TELATO D.13 L=280	PIPE	TUYAU	ROHR
32N.01.040	FS033	1	FASCETTA INOX 16x25	CLAMP	BANDE	SHELLE
32N.01.041	RC051	1	RACCORDO 1/2 MASCHIO P/GOMMA	UNION	RACCORD	ANSCHLUSS
32N.01.042	RC072	1	RACCORDO F/F 90 1/2"	UNION	RACCORD	VERBINDUNG
32N.01.043	GH023	2	GHIERA RUBINETTO SOLUZIONE 1/2"	RING NUT	EMBOUT	LOESUNGHAHNSRING
32N.01.044	RO5002	1	RONDELLA RAME 1/2	WASHER	RONDELLE	SCHEIBE
32N.01.045	RC091	1	RACCORDO SCARICO SERBATOIO SOLUZION	UNION	RACCORD	ANSCHLUSS
32N.01.046	FT029	1	FILTRO SERB.(DI PESCA D.25)	FILTER	FILTRE	FILTER
32N.01.047	VS424	4	VITE SVASATA TC M 6x20 UNI 7688 INO	SCREW	VIS	SCHRAUBE
32N.01.048	CA100	1	CARTER SUPER.SPAZ.I21/26 BLU	BRUSH CASE	COUVERCLE BROSSE	BUERSTENGEHAUESE



N.Position	C.N.	Qta	Descrizione	Description	Description	Bezeichnung
NEW.02.001	TP088	1	TELAIO BASE	BASE FRAME	CHASSIS	UNTERLAGERARMEN
NEW.02.002	ST055	1	STAFFA A L GUIDA LEVA SOLL.SPAZZOLE	BRACKET	SUPPORT	BUEGEL
NEW.02.003	RO403	2	RONDELLA NORM.DIAM. 6 UNI 6592/69 I	INOX WASHER	RONDELLE	SCHEIBE
NEW.02.004	RO454	2	RONDELLA SPACCATA DIAM. 6 UNI 1751	INOX WASHER	RONDELLE	SCHEIBE
NEW.02.005	VE443	2	VITE ESAGONALE M6x16 UNI 5737/77 IN	SCREW	VIS	SECHSECKIGE SCHRAUBE
NEW.02.007	SU508	1	SUPPORTO PIATTO SPAZZOLE I26PF	LEVER SUPPORT	SUPPORT LEVIERS	HEBELSYSTEMSTUETZE
NEW.02.010	SB182	1	PIATTO I26 IN ROTAZIONALE	BRUSH SHEET	PLATEAU BROSSES	FLACH
NEW.02.013	IS001	1	RIVESTIMENTO PEDALE (grande)	PEDAL COVER	REVETEMENT	PEDALSVERKLEIDUNG
NEW.02.014	LM175	1	PEDALE LEVA SOLL. PIATTO E SQUEEGEE	LIFT.LEVER PEDAL	PEDALE	HEBELSPEDAL
NEW.02.015	LV167	1	LEVA SOLLEVAMENTO SPAZZOLE	BRUSH LIFT. LEVER	LEVIER	HEBEL
NEW.02.016	VE443	2	VITE ESAGONALE M6x16 UNI 5737/77 IN	SCREW	VIS	SECHSECKIGE SCHRAUBE
NEW.02.017	VB434	4	VITE CIL.BRUGOLA M8X25 UNI5931 INOX	SCREW	VIS	ZYLINDERSCHRAUBE
NEW.02.018	SU069	2	SUPPORTO LEVERISMI SVAS.(FUS.)	SUPPORT	SUPPORT	HEBELSYSTEMSTUETZE
NEW.02.019	BN003	2	BOCCOLA NYRELAN DIAM.mm. 19,05	NYRELAN BUSH D19,05mm	DOUILLE	BUCHSE
NEW.02.022	MP084	8	SPAZZOLA MOTORE 9x19 Lg=28 ELETTRIC	BRUSH	CHARBON	KOEHLE
NEW.02.023	MO277	2	MOTORIDUTTORE 36/24V 500/375W CON M	GEAR MOTOR	MOTOREDUCTEUR	REDUZIERER
NEW.02.024	CH030	2	LINGUETTA 6,3x6,3x20 FORMA A	TONGUE 6,2x25	CLAVETTE	PASSFEDER
NEW.02.025	VE464	4	VITE ESAGONALE M8x35 UNI 5737/77 IN	SCREW	VIS	SECHSECKIGE SCHRAUBE
NEW.02.026	AL012	2	ALBERO SPAZZOLE ESAGONALE	HEX. BRUSHES SHAFT	ARBRE BROSE	SECHSWINKLIGE BUEERSTE
NEW.02.027	VB419	4	VITE CIL.BRUGOLA M6X20 UNI5931-77 I	SCREW	VIS	ZYLINDERSCHRAUBE
NEW.02.028	VE441	1	VITE ESAGONALE M6x10 UNI 5737/77 IN	SCREW	VIS	SCHRAUBE
NEW.02.029	RO454	1	RONDELLA SPACCATA DIAM. 6 UNI 1751	INOX WASHER	RONDELLE	SCHEIBE
NEW.02.030	RO503	1	ROSETTA SLARGATA D6x24 UNI6592/69 I	INOX WASHER	RONDELLE	SCHEIBE
NEW.02.031	BO009	2	BOCCOLA LEVE SOLLEVAMENTO GRUPPO SP	BRUSH LIF.LEVER BUSH	DOUILLE	BUCHSE
NEW.02.032	RO456	2	ROSETTA SPACCATA D.10 UNI 1751 INOX	INOX WASHER	RONDELLE	SCHEIBE
NEW.02.033	VE492	2	VITE ESAGONALE M10X25 UNI 5737/77 I	SCREW	VIS	SCHRAUBE
NEW.02.034	PT277	1	PIASTRA SUPPORTO PIATTO ROTAZIONALE	PALTE	PLAQUE SUPPORT	TELLER
NEW.02.035	VE441	2	VITE ESAGONALE M6x10 UNI 5737/77 IN	SCREW	VIS	SCHRAUBE
NEW.02.036	RO454	2	RONDELLA SPACCATA DIAM. 6 UNI 1751	INOX WASHER	RONDELLE	SCHEIBE
NEW.02.037	ST013	1	STAFFA DISTRIBUTORE	DISTRIBUTOR BRACKET	SUPPORT	BUEGEL
NEW.02.038	BP275	1	BUMPER PROTEZIONE SPAZZOLE	BRUSH PROTECTION	PROTECTION BROSSES	BUEERSTENSTOSSFAENGER
NEW.02.039	TB108	1	DISTRIBUTORE SOLUZIONE	DISTRIBUTOR	DISTRIBUTEUR	LOESUNGSGEBER
NEW.02.040	TB050	1	TUBO SOLUZIONE SPAZZOLE D.10 L.150	PIPE	TUYAU	ROHR
NEW.02.041	VC416	2	VITE CILIN.CROCE M5x30 UNI 7687 IN	SCREW	VIS	SCHRAUBE
NEW.02.042	TB072	1	TUBO SOLUZIONE D.10 L=260	PIPE	TUYAU	ROHR
NEW.02.043	RO456	8	ROSETTA SPACCATA D.10 UNI 1751 INOX	INOX WASHER	RONDELLE	SCHEIBE
NEW.02.044	WE261	8	VITE A TESTA ESAGONALE 3/8"x1"	SCREW	VIS	SECHSECKIGE SCHRAUBE
NEW.02.045	VS416	6	VITE SVASATA TC M5X30 UNI 7688 INOX	SCREW	VIS	SCHRAUBE
NEW.02.046	FL004	2	FLANGIA ATTACCO SPAZZOLA ESAGONALE	HEX.BRUSH CONN.FLANGE	FLASQUE	ANSATZFLANSCH
NEW.02.047	ML042	2	MOLLA D= 1 INOX SALTEREL. ATT.SPAZZ	SPRING	RESSORT	FEDER
NEW.02.048	SP002	2	SPINA ELASTICA 3x20 UNI 6874/71	TENSION PIN	CONNECTEUR	SPANNSTIFT
NEW.02.049	PE064	2	PERNO ATTACCO SPAZZOLA	BRUSH CONNECTION PIN	PIVOT	BOLZEN
NEW.02.050	GH008	2	GHIERA ATTACCO SPAZZOLA	BRUSH CONN. RING NUT	EMBOUT	GITTER
NEW.02.051	SZ014	2	SPAZZOLA NYLON 13" 330x126	13" NYLON BRUSH	BROSSE NYLON 13"	NYLON- STAHLBUEERSTE
NEW.02.051	SZ014A	2	SPAZZOLA ACCIAIO 13" 330x126	BRUSH	BROSSE	STAHLBUEERSTE
NEW.02.051	SZ014B	2	SPAZZOLA BASSINE 13" 330x126	BRUSH	BROSSE	BUEERSTE
NEW.02.051	SZ014C	2	SPAZZOLA CARBONIO 13" 330x126	BRUSH	BROSSE CHARBON 13"	BUEERSTE
NEW.02.051	SZ014Y	2	SPAZZOLA NYLON ACCIAIO 13" 330x126	NYLON/STEEL BRUSH 13"	BROSSE	NYLON- STAHLBUEERSTE
NEW.02.051	TS010	2	DISCO TRASCINATORE 13" 330x126	PAD HOLDERS 13"	DISQUE ENTRAINEUR 13"	MITNEHMERSCHEIBE
NEW.02.052	KIT145	2	ASS.BLOCCA SNODO SPAZZ. *FANT*	BRUSH JOINT RELEASE A	ASS.BLOC.JOINT	GELENKSPERREZUSAMM.
NEW.02.053	KIT161	2	ATTAC.SPAAZ.ESAG. *FANT*	HEX.BRUSH CONNECTION	CONNEX.BROSSE	BUEERSTENANSCHLUSS
NEW.02.054	KIT236	2	ASS.SPAZZ. NYLON 13" 330x126 *FANT*	NYLON BRUSH ASSY 13"	ASS.BROSSE	BUEERSTENZUSAMMENBAU
NEW.02.054	KIT236A	2	ASS.SPAZZ. ACCIAIO 13" 330x126 *FAN	STEEL BRUSH ASSY 13"	ASS.BROSSE	BUEERSTENZUSAMMENBAU
NEW.02.054	KIT236B	2	ASS.SPAZZ. BASSINE 13" 330x126 *FAN	BASSINE BRUSH ASSY	ASS.BROSSE	BUEERSTENZUSAMMENBAU
NEW.02.054	KIT236C	2	ASS.SPAZZ.CARBONIO 13" 330x126 *FANT	CARBON BRUSH ASSY 13"	ASS.BROSSE TYNEX 13"	BUEERSTENZUSAMMENBAU
NEW.02.054	KIT236Y	2	ASS.SPAZZ.NYLON ACC.13" 330x126 *FA	NY/STEEL BRUSH ASSY	ASS.BROSSE	BUEERSTENZUSAMMENBAU
NEW.02.054	KIT237	2	ASS.DISCO TRASC. 13" 330x126 *FANT*	DRIVING PAD ASSY 13"	PLATEAU SUPPORT PAD 1	SCHEIBENZUSAMMENBAU
NEW.02.055	RO453	2	ROSETTA SPACCATA D.5 UNI 1751 INOX	INOX WASHER	RONDELLE	SCHEIBE
NEW.02.056	RO454	2	RONDELLA SPACCATA DIAM. 6 UNI 1751	INOX WASHER	RONDELLE	SCHEIBE
NEW.02.057	DD452	6	DADO AUTOBLOCCANTE M5 INOX	INOX SELF-LOCKING NUT	ECROU DE SURETE	SICHERUNGSMUTTER
NEW.02.058	DT055	2	DISTANZIALE IN PLASTICA	PLASTIC SPACER	ENTRETOISE	ABSTANDSTUECK
NEW.02.059	LM521	1	LISTELLO FISSAGGIO BUMPER I26NEW	LISTEL	LISTEL	LEISTE
NEW.02.060	TU077	1	TUBO CON LAMINA IN ACCIAIO D=14 L=6	STEEL PIPE	TUYAU	ROHR

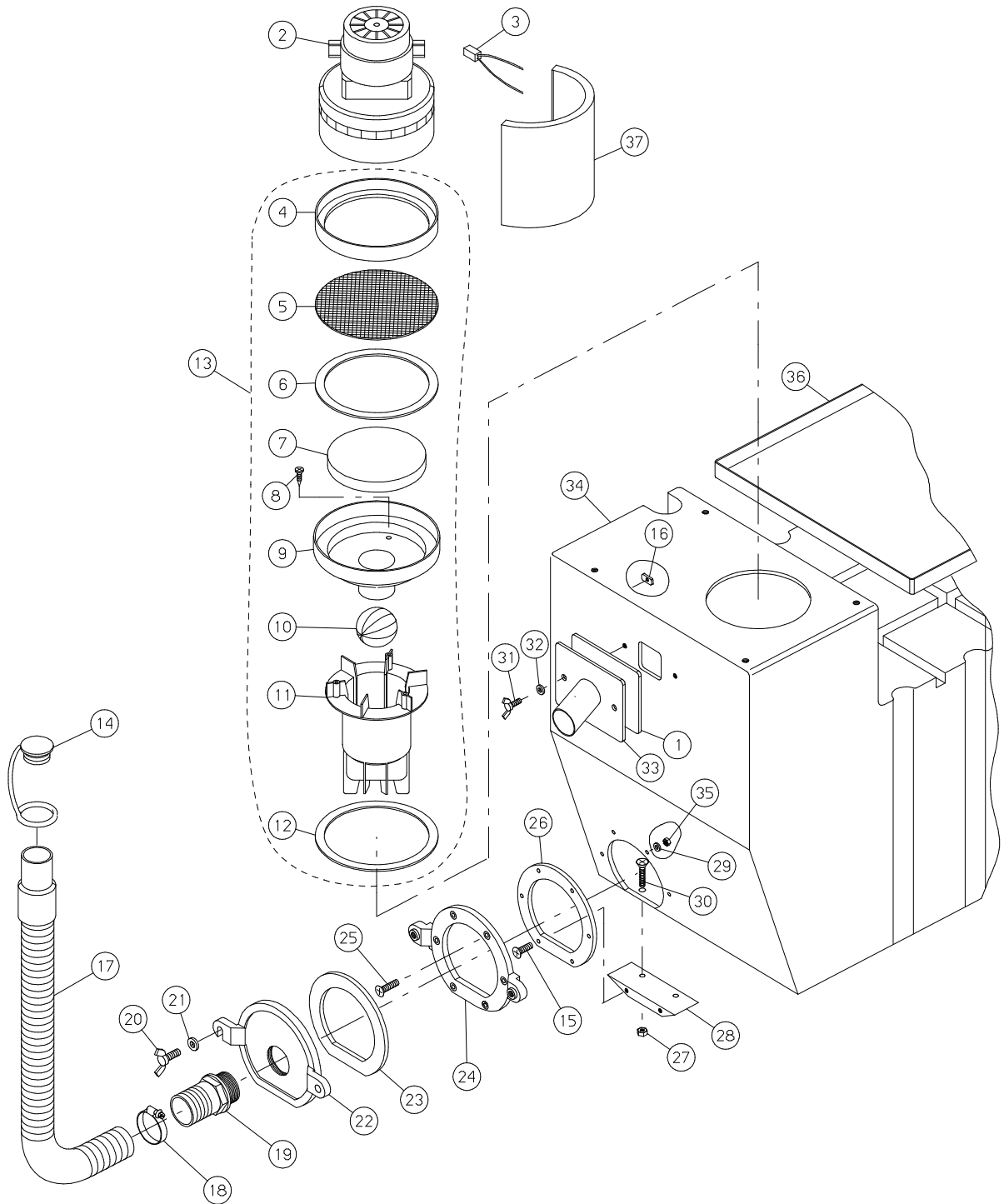




N.Position	C.N.	Qta	Descrizione	Description	Description	Bezeichnung
NEW.02.061	VE467	1	VITE ESAGONALE M8x50 UNI5737/77 INO	HEXAGONAL SCREW	VIS	SECHSECKIGE SCHRAUBE
NEW.02.062	RO502	6	RONDELLA SLARG. D.8X24 UNI6592/69 I	INOX WASHER	RONDELLE	SCHEIBE
NEW.02.063	RT056	1	RUOTA PARACOLPI 100x19	SHOCKPROOF WHEEL 100x	ROUE	RAD
NEW.02.064	BO073	1	BOCCOLA RUOTA PARACOLPI	SHOCK ABS. WHEEL BUSH	DOUILLE	BUCHSE
NEW.02.065	DD454	5	DADO AUTOBLOCCANTE M8 INOX	INOX SELF-LOCKING NUT	ECROU DE SURETE	SICHERUNGSMUTTER
NEW.02.066	CC001	1	CHIUSURA A SCATTO	SNAP CLOSURE	FERMETURE A RESSORT	FEDERSCHLUSS
NEW.02.067	VC400	1	VITE CILIN.CROCE M3X16 INOX	SCREW	VIS	SCHRAUBE
NEW.02.068	LM488	1	LAMIERA PIATTO SPAZZOLE I26PF-V.ZAO	BRUSH SHEET	PLATEAU BROSSES	LEISTE
NEW.02.069	LM521	1	LISTELLO FISSAGGIO BUMPER I26NEW	LISTEL	LISTEL	LEISTE
NEW.02.070	BP275	1	BUMPER PROTEZIONE SPAZZOLE	BRUSH PROTECTION	PROTECTION BROSSES	BUERSTENSTOSSFAENGER
NEW.02.071	RO404	4	RONDELLA NORMALE DIAM 8	INOX WASHER	RONDELLE	SCHEIBE
NEW.02.072	RO002	1	FASCETTA 12/22	CLAMP 12/20	BANDE	SHELLE
NEW.02.073	DT064	2	DISTANZIALE	SPACER	ENTRETOISE	DISTANZSTUECK

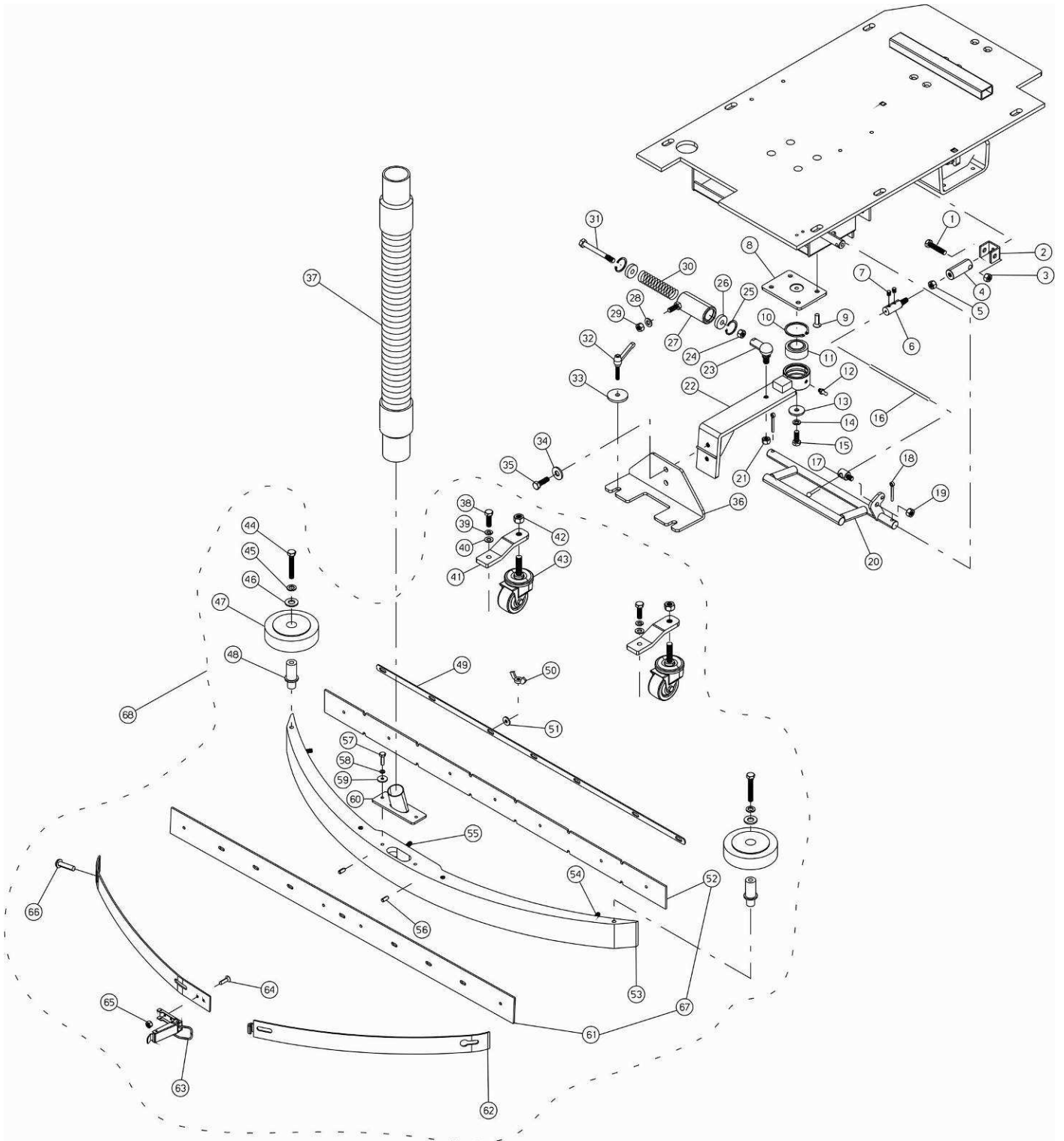
ICM 21

N.Position	C.N.	Qta	Descrizione	Description	Description	Bezeichnung
NEW.02.010	SB184	1	PIATTO I21 IN ROTAZIONALE	BRUSH SHEET	PLATEAU BROSSES	FLACH
NEW.02.034	PT279	1	PIASTRA SUPPORTO PIATTO ROTAZIONALE	PALTE	PLAQUE SUPPORT	TELLER
NEW.02.038	BP292	1	BUMPER PROTEZIONE SPAZZOLE	BRUSH PROTECTION	PROTECTION BROSSES	BUERSTENSTOSSFAENGER
NEW.02.051	SZ017	2	SPAZZOLA NYLON 10" 330x126	13" NYLON BRUSH	BROSSE NYLON 13"	NYLON- STAHLBUERSTE
NEW.02.051	SZ017A	2	SPAZZOLA ACCIAIO 10" 330x126	BRUSH	BROSSE	STAHLBUERSTE
NEW.02.051	SZ017B	2	SPAZZOLA BASSINE 10" 330x126	BRUSH	BROSSE	BUERSTE
NEW.02.051	SZ017C	2	SPAZZOLA CARBONIO 10" 330x126	BRUSH	BROSSE CHARBON 13"	BUERSTE
NEW.02.051	SZ017Y	2	SPAZZOLA NYLON ACCIAIO 10" 330x126	NYLON/STEEL BRUSH 13"	BROSSE	NYLON- STAHLBUERSTE
NEW.02.051	TS014	2	DISCO TRASCINATORE 10" 330x126	PAD HOLDERS 13"	DISQUE ENTRAINEUR 13"	MITNEHMERSCHEIBE
NEW.02.054	KIT245	2	ASS.SPAZZ. NYLON 10"	NYLON BRUSH ASSY 13"	ASS.BROSSE	BUERSTENZUSAMMENBAU
NEW.02.054	KIT245A	2	ASS.SPAZZ. ACCIAIO 10"	STEEL BRUSH ASSY 13"	ASS.BROSSE	BUERSTENZUSAMMENBAU
NEW.02.054	KIT245B	2	ASS.SPAZZ. BASSINE 10"	BASSINE BRUSH ASSY	ASS.BROSSE	BUERSTENZUSAMMENBAU
NEW.02.054	KIT245C	2	ASS.SPAZZ.CARBONIO 10"	CARBON BRUSH ASSY 13"	ASS.BROSSE TYNEX 13"	BUERSTENZUSAMMENBAU
NEW.02.054	KIT245Y	2	ASS.SPAZZ.NYLON ACC.10"	NY/STEEL BRUSH ASSY	ASS.BROSSE	BUERSTENZUSAMMENBAU
NEW.02.054	KIT246	2	ASS.DISCO TRASC. 10"	DRIVING PAD ASSY 13"	PLATEAU SUPPORT PAD 1	SCHEIBENZUSAMMENBAU
NEW.02.059	LM560	1	LISTELLO FISSAGGIO BUMPER I26NEW	LISTEL	LISTEL	LEISTE
NEW.02.068	LM558	1	LAMIERA PIATTO SPAZZOLE I26PF-V.ZAO	BRUSH SHEET	PLATEAU BROSSES	LEISTE
NEW.02.069	LM559	1	LISTELLO FISSAGGIO BUMPER I21NEW	LISTEL	LISTEL	LEISTE
NEW.02.070	BP291	1	BUMPER PROTEZIONE SPAZZOLE	BRUSH PROTECTION	PROTECTION BROSSES	BUERSTENSTOSSFAENGER



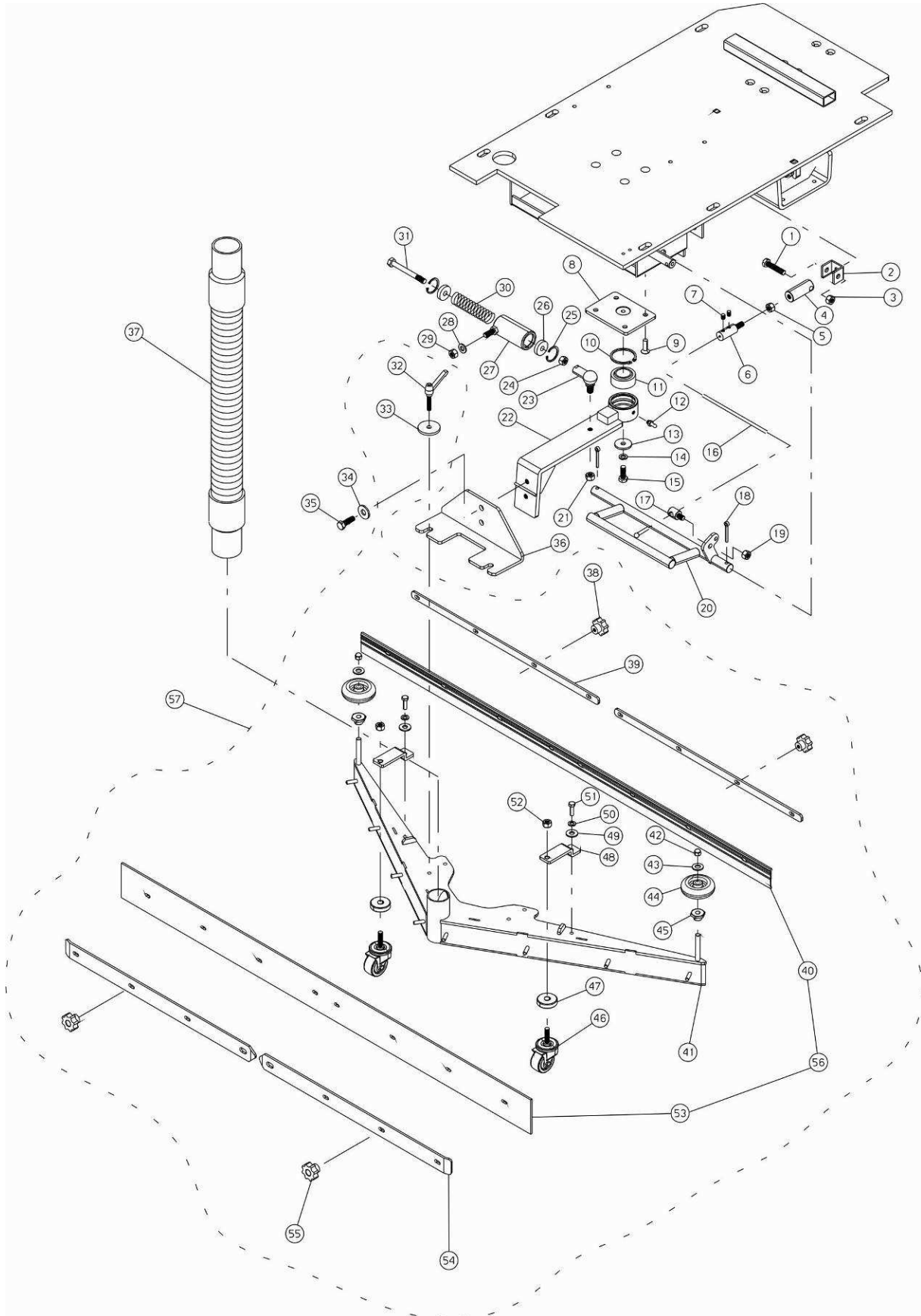


N.Position	C.N.	Qta	Descrizione	Description	Description	Bezeichnung
NEW.03.001	GR115	1	GUARNIZIONE OBLO' SERBATOIO	GASKET	JOINT	TANKSDICHTUNG
NEW.03.002	MO180	1	MOTORE ASPIRAZIONE 24V	24V BY-PASS VACUUM MO	MOTEUR	SAUGMOTOR 24V
NEW.03.003	MP239	2	CARBONCINO x MOTORE ISKRA 24V MO180	MOTOR BRUSH	CHARBON	KOEHLE
NEW.03.004	GR005	1	GUARNIZIONE A L MOTORE 145x5	MOTOR GASKET	GARNITURE	L-DICHTUNG
NEW.03.005	RE002	1	RETE GALLEGGIANTE	FLOATING NET	FILET	SCHWIMMERNETZ
NEW.03.006	GR006	1	GUARNIZIONE GALLEGGIANTE	FLOAT GASKET	GARNITURE	SCHWIMMERDICHTUNG
NEW.03.007	FT002	1	FILTRO GALLEGGIANTE	MOTOR FLOAT FILTER	FILTRE	SCHWIMMERFILTER
NEW.03.008	VA403	3	VITE AUTOFIL. TC 4,2x19 UNI 6954/71	SCREW	VIS	SCHRAUBE MIT GEWINDE
NEW.03.009	GL005	1	FLANGIA GALLEGGIANTE	FLOATING FLANGE	FLOTTEUR	SCHWIMMERFLANSCH
NEW.03.010	GL004	1	SFERA GALLEGGIANTE	FLOATING BALL	FLOTTEUR	SCHWIMMERKUGEL
NEW.03.011	GL006	1	CORPO GALLEGGIANTE	FLOAT BODY	CORPS FLOTTEUR	SCHWIMMERKOEPPER
NEW.03.012	GR006	1	GUARNIZIONE GALLEGGIANTE	FLOAT GASKET	GARNITURE	SCHWIMMERDICHTUNG
NEW.03.013	KIT013	1	GALLEGG.COMPL.*FANT* -	COMPLETE FLOAT	FLOTTEUR	SCHWIMMERZUSAMMENBAU
NEW.03.014	TA002	1	TAPPO TUBO SCARICO SERBATOIO RECUPE	PLUG	BOUCHON	DECKEL
NEW.03.015	VS414	2	VITE SVASATA TC M5x16 UNI7688 INOX	SCREW	VIS	SENKSCRAUBE
NEW.03.016	VI029	4	DADO FERMA VITE M6	NUT	ECROU	MUTTER
NEW.03.017	TB130	1	TUBO FLEX ANIMA IN ACCIAIO D.40 L=6	PIPE	TUYAU	ROHR
NEW.03.018	FS011	1	FASCETTA 25/40 INOX 9mm	FLOAT.SUPPORT CLAMP	BANDE	SHELLE
NEW.03.019	RC084	1	RACCORDO P/GOMMA M/M 1"X1/4X38	UNION	RACCORD	ANSCHLUSS
NEW.03.020	VL411	2	VITE AD ALETTE M8x30 INOX	SCREW	VIS	SCHRAUBE
NEW.03.021	RO502	2	RONDELLA SLARG. D.8X24 UNI6592/69 I	INOX WASHER	RONDELLE	SCHLEIBE
NEW.03.022	TA008	1	TAPPO SCARICO SERBATOIO RECUPERO	PLUG	BOUCHON	STOPFEN
NEW.03.023	GR002	1	GUARNIZIONE BOCCHETTONE DI SCARICO	DRAIN UNION GASKET	JOINT	DICHTUNG
NEW.03.024	FL090	1	FLANGIA TAPPO SCARICO SERB. RECUPER	DRAIN PLUG FLANGE	FLASQUE	FLANSCH
NEW.03.025	VS415	4	VITE SVASATA TC M5x25 UNI 7688 INOX	SCREW	VIS	SCHRAUBE
NEW.03.026	GR007	1	GUARNIZIONE BOCCHETT.DI SCAR. CON F	DRAIN UNION GASKET	JOINT	DICHTUNG
NEW.03.027	DD252	2	DADO AUTOBLOCCANTE M5	INOX SELF-LOCKING NUT	ECROU DE SURETE	SICHERUNGSMUTTER
NEW.03.028	ST041	1	STAFFA ATTACCO FLANGIA SCARICO	BRACKET	SUPPORT	BUEGEL
NEW.03.029	RO500	4	RONDELLA SLARG.D.5X15 UNI6592/69 IN	INOX WASHER	RONDELLE	SCHLEIBE
NEW.03.030	VS415	2	VITE SVASATA TC M5x25 UNI 7688 INOX	SCREW	VIS	SCHRAUBE
NEW.03.031	VL401	2	VITE AD ALETTE M6x16 INOX	SCREW	VIS	SCHRAUBE
NEW.03.032	RO501	2	RONDELLA SLARG.D.6X18 UNI6592/69 IN	INOX WASHER	RONDELLE	SCHLEIBE
NEW.03.033	SB033	1	BOCCHETTA SERBATOIO RECUPERO	RECOV.TANK MOUTH	SUCEUR	MUND
NEW.03.034	SB097	1	SERBATOIO RECUPERO -BIANCO-	RECOVERY TANK	RESERVOIR	BEHAELTER
NEW.03.035	DD403	4	DADO M5 UNI 5588/65 INOX	INOX NUT	ECROU	MUTTER
NEW.03.036	SB100	1	VASCHETTA BATTERIE	BATTERY TRAY	CUVE	BATTERIEWANNE
NEW.03.037	FO035	1	MANICOTTO POLIURETANO 70mm D.106x16	POLIESTIC MAT.	MAT.POLIESTIC	POLIESTIC



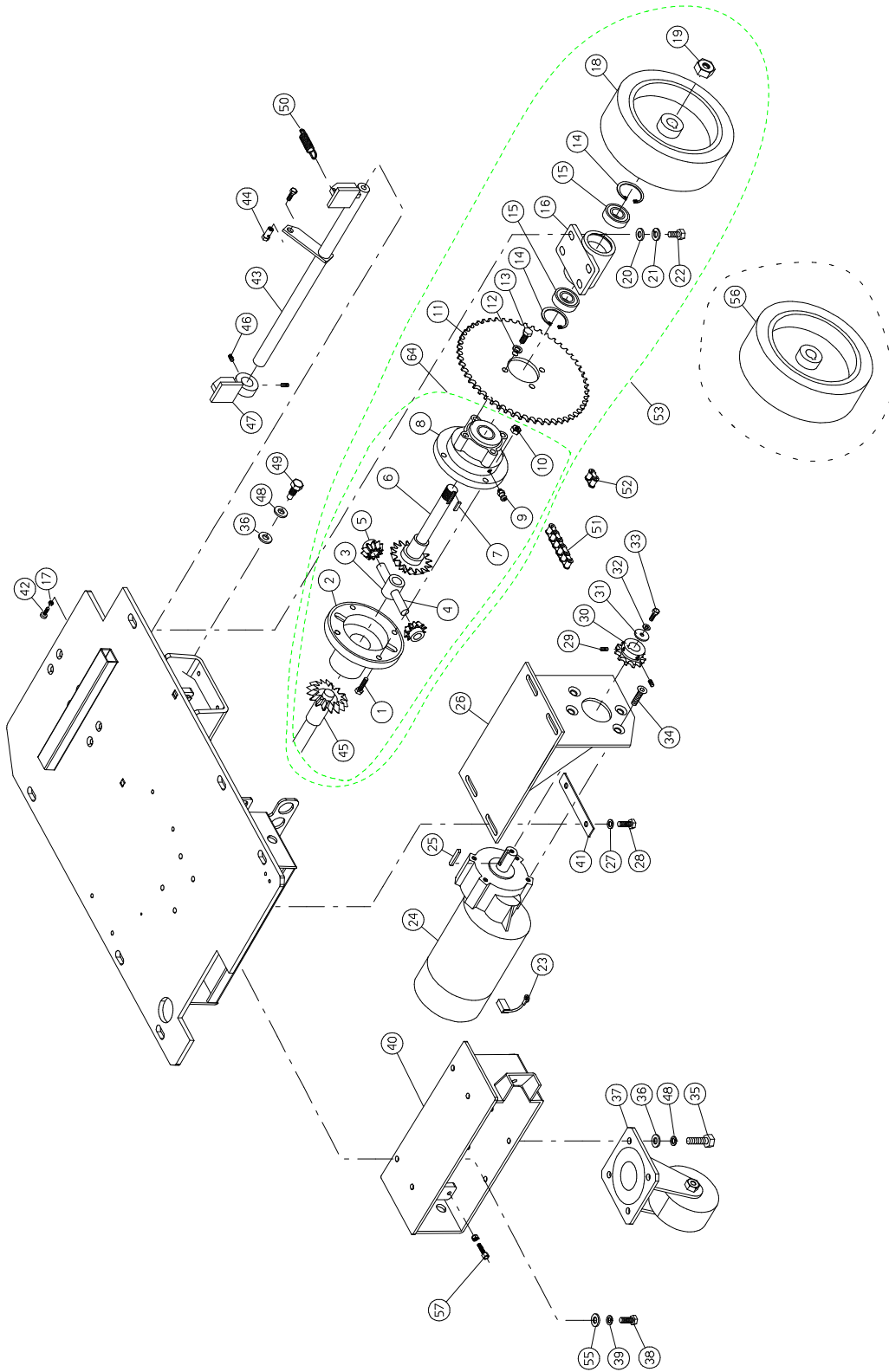


N.Position	Code Num	Qta	Descrizione	Description	Description	Bezeichnung
NEW.04.001	VE465	1	VITE ESAGONALE M8x40 UNI 5737/77 IN	SCREW	VIS	SECHSECKIGE SCHRAUBE
NEW.04.002	ST160	1	STAFFA SUPPORTO PERNO SOLL. SQUEEGG	SUPPORT	SUPPORT	BUEGEL
NEW.04.003	DD454	1	DADO AUTOBLOCCANTE M8 INOX	SELFLOCKING NUT	ECROU DE SURETE	SICHERUNGSMUTTER
NEW.04.004	PE235	1	PERNO PER ATTACCO FILO SOLL. SQUEEG	PIN	PIVOT	BOLZEN MIT FEDER
NEW.04.005	DD405	1	DADO M8 UNI 5588 INOX	INOX NUT	ECROU	MUTTER
NEW.04.006	MI115	1	FERMA CAVO FRENO	WIRE TERMINAL	ETAU	DRAHTKLEMME
NEW.04.007	VG020	2	GRANO M6x8 C/PUNTA UNI 5927	DOWEL	GRAIN	DUEBEL MIT SPITZE
NEW.04.008	PT245	1	PIASTRA PER SUPPORTO SQUEEGEE	PLATE	PLAQUETTE	TELLER
NEW.04.009	VV439	4	VITE SVAS.BRUGOLA M8x16 UNI5933/77	COUNTERSUNK SCREW	VIS	SENKSCRAUBE
NEW.04.010	SG065	1	ANELLO SEEGER PER INT.DIAM.42 UNI	O-RING	SEEGER	SEEGERRING
NEW.04.011	CS034	1	SNODO GE25ES	BEARING	ROULEMENT	LAGER
NEW.04.012	IR001	1	INGRASSATORE C/CHIUS.A SFERA M6 UNI	GREASER	GRAISSEUR	FETTBUECHSE
NEW.04.013	RO516	1	RONDELLA SLARG. D.8x30 UNI6592/69 I	WASHER	RONDELLE	SCHIBE
NEW.04.014	RO455	1	RONDELLA SPACCATA DIAM. 8 UNI 1751	WASHER	RONDELLE	SCHIBE
NEW.04.015	VE461	1	VITE ESAGONALE M8x20 UNI 5739 INOX	SCREW	VIS	SECHSECKIGE SCHRAUBE
NEW.04.016	MI305	1	FILO SOLLEVAMENTO SQUEEGEE L=1000	SQUEEGEE LIFTING WIRE	FIL FREIN	DRAHTBREMSE
NEW.04.017	MI228	1	REGISTRO FERMA GUAINA SQUEEGEE	RECORD STILL SHEATH	ENREGISTREMENT ENCORE GAINÉ	REKORD NOCH SHEATH
NEW.04.018	SP012	2	SPINA ELASTICA 5x30 UNI 6873	SQUEEGEE	RACLETTE	SQUEEGEE
NEW.04.019	DD454	1	DADO AUTOBLOCCANTE M8 INOX	TENSION PIN	CONNECTEUR	SPANNSTIFT
NEW.04.020	SU519	1	SUPPORTO ALZA SQUEEGEE	SELFLOCKING NUT	ECROU DE SURETE	SICHERUNGSMUTTER
NEW.04.021	DD405	1	DADO M8 UNI 5588 INOX	SUPPORT	SUPPORT	HALTER
NEW.04.022	LV332	1	DADO M8 UNI 5588 INOX	INOX NUT	ECROU	MUTTER
NEW.04.022	LV332	1	LEVA OSCILLAZIONE SQUEEGEE	SQUEEGEE FLUCTUATION	LEVIER	HEBEL
NEW.04.023	MI5022	1	SNODI ORIENTABILI M 6	BALL JOINT	JOINT A ROTULE	KUGELGELENK
NEW.04.024	DD405	1	DADO M8 UNI 5588 INOX	INOX NUT	ECROU	MUTTER
NEW.04.025	SG050	2	ANELLO SEEGER PER INT.DIAM.26 UNI 7	RING	SEEGER	SEEGERRING
NEW.04.026	VI5010	2	RONDELLA De26 Di8,5 sp 6	WASHER	RONDELLE	SCHIBE
NEW.04.027	AM5001	1	AMMORTIZZATORE RITORNO P.P.V. ZINCA	DAMPER	AMORTISSEUR	DAMPFER
NEW.04.028	RO404	1	RONDELLA NORM.DIAM. 8 UNI 6592 INOX	WASHER	RONDELLE	SCHIBE
NEW.04.029	DD454	1	DADO AUTOBLOCCANTE M8 INOX	SELFLOCKING NUT	ECROU DE SURETE	SICHERUNGSMUTTER
NEW.04.030	ML167	1	MOLLA GUIDA SQUEEGEE	GUIDE SPRING	RESSORT	FEDER
NEW.04.031	VB496	1	VITE TESTA A BRUGOLA M8x150 INOX -	SCREW	VIS	SECHSECKIGE SCHRAUBE
NEW.04.032	VP042	2	POMELLO A LEVA M.8 x20-	KNOB	POMMEAU	KUGELGRIF
NEW.04.033	VI060	2	ROND. INOX CON FILETTO M8	WASHER	RONDELLE	SCHIBE
NEW.04.034	RO404	2	RONDELLA NORM.DIAM. 8 UNI 6592 INOX	WASHER	RONDELLE	SCHIBE
NEW.04.035	VE462	2	VITE ESAGONALE M8x25 UNI 5739 INOX	SCREW	VIS	SECHSECKIGE SCHRAUBE
NEW.04.036	TP229	1	TELAIO SUPPORTO SQUEEGEE	BASE FRAME	CHASSIS	UNTERLAGERAHMEN
NEW.04.037	TB131	1	TUBO FLEX ANIMA IN ACCIAIO D.38 L=8	HOSE	TUYAU FLEX D.38 L=850	ROHR
NEW.04.038	VE461	2	VITE ESAGONALE M8x20 UNI 5739 INOX	SCREW	VIS	SECHSECKIGE SCHRAUBE
NEW.04.039	RO455	2	RONDELLA SPACCATA DIAM. 8 UNI 1751	WASHER	RONDELLE	SCHIBE
NEW.04.040	RO404	2	RONDELLA NORM.DIAM. 8 UNI 6592 INOX	WASHER	RONDELLE	SCHIBE
NEW.04.041	PT253	2	SUPPORTO RUOTINE SQUEEGEE	SUPPORT	SUPPORT	HALTER
NEW.04.042	DD406	2	DADO M10 UNI 5588-65 INOX	INOX NUT	ECROU	MUTTER
NEW.04.043	RT020	2	RUOTA PIVOTTANTE	WHEEL	ROUE	RAD
NEW.04.044	VE469	2	VITE ESAGONALE M8x60 UNI5737/77 INO	SCREW	VIS	SECHSECKIGE SCHRAUBE
NEW.04.045	RO455	2	RONDELLA SPACCATA DIAM. 8 UNI 1751	WASHER	RONDELLE	SCHIBE
NEW.04.046	RO404	2	RONDELLA NORM.DIAM. 8 UNI 6592 INOX	WASHER	RONDELLE	SCHIBE
NEW.04.047	RT056	2	RUOTA PARACOLPI 100x19	SHOCKPROOF WHEEL 100x	ROUE	RAD
NEW.04.048	BO109	2	BOCCOLA RUOTA PARACOLPI	BUSH	DOUILLE	BUCHSE
NEW.04.049	LM644	1	LISTELLO ANTERIORE SQUEEGEE I21NEW	LISTEL	LISTEL	VORDERLEISTE
NEW.04.050	VL450	7	DADO AD ALETTE M6 UNI 5448 INOX -	NUT	ECROU	MUTTER
NEW.04.051	RO501	7	RONDELLA SLARG.D.6X18 UNI6592/69 IN	WASHER	RONDELLE	SCHIBE
NEW.04.052	BP367	1	LAMA ANTERIORE SQUEEGEE TRASPARENTE	FRONT BLADE	LAME AVANT	RUECKMESSER
NEW.04.053	SQ075	1	CORPO SQUEEGEE PER I21NEW	ALU SQUEEGEE	SUCEUR PARABOLIQUE	SAUGFUSS
NEW.04.054	MI121	6	PRIGIONIERO M6X35 15/15	THREAD	TREFILE	GEWINDESTIFT
NEW.04.055	MI382	1	PRIGIONIERO M6 SQUEEGEE TAGLIATO	THREAD	TREFILE	GEWINDESTIFT
NEW.04.056	PE275	2	PERNO CENTRALE FISSAGGIO LAMA SQUEE	CENTRAL PIN	PIVOT CENTRAL	ZENTRALSTIFT
NEW.04.057	VE442	2	VITE ESAGONALE M6x12 UNI 5739 INOX	SCREW	VIS	SECHSECKIGE SCHRAUBE
NEW.04.058	RO454	2	RONDELLA SPACCATA DIAM. 6 UNI 1751	WASHER	RONDELLE	SCHIBE
NEW.04.059	RO403	2	RONDELLA NORM.DIAM. 6 UNI 6592/69 I	WASHER	RONDELLE	SCHIBE
NEW.04.060	SB165	1	BOCCHETTA ASPIRAZIONE SQUEEGEE I26P	SQUEEGEE VAC OPENING	BOUCHE D'ASPIRATION	SAUGDUESE
NEW.04.061	BP366	1	LAMA POSTERIORE SQUEEGEE	SQUEEGEE REAR BLADE GRAY	TOLE ARRIERE SUCEUR	SAUGFUSSRUECKMESSER
NEW.04.062	LM645	1	LISTELLO POSTERIORE Dx SQUEEGEE I21	RIGHT REAR LISTEL	BORD ARRIERE DROITE	RUECKLEISTE RECHTS
NEW.04.063	CC5000	1	GANCIO CHIUSURA COPERCHIO FILTRI	FILTER COVER HOOK	CROCHET COUVERCLE FIL	VERZINKTER HAKEN
NEW.04.064	VS405	2	VITE SVASATA T/C M4x16 UNI 7688 INO	SCREW	VIS	SCHRAUBE
NEW.04.065	DD451	2	DADO AUTOBLOCCANTE M4 INOX UNI 7473	NUT	ECROU DE SURETE	SELBSTSICHERNDE SCHRA
NEW.04.066	VB474	2	VITE TESTA BOMBATA M8x16 INOX	COUNTERSUNK SCREW	VIS	HALBRUNDSCHRAUBE
NEW.04.067	KIT827	1	KIT SERIE LAME PER I21NEW	RUBBER BLADES KIT FOR	JEU DE BAVETTES	MESSERSBAUSATZ
NEW.04.068	KIT828	1	KIT SQUEEGEE COMPLETO PER I21NEW	SQUEEGEE COMPLETE	JEU SUCEUR	SAUGFUSSBAUSATZ



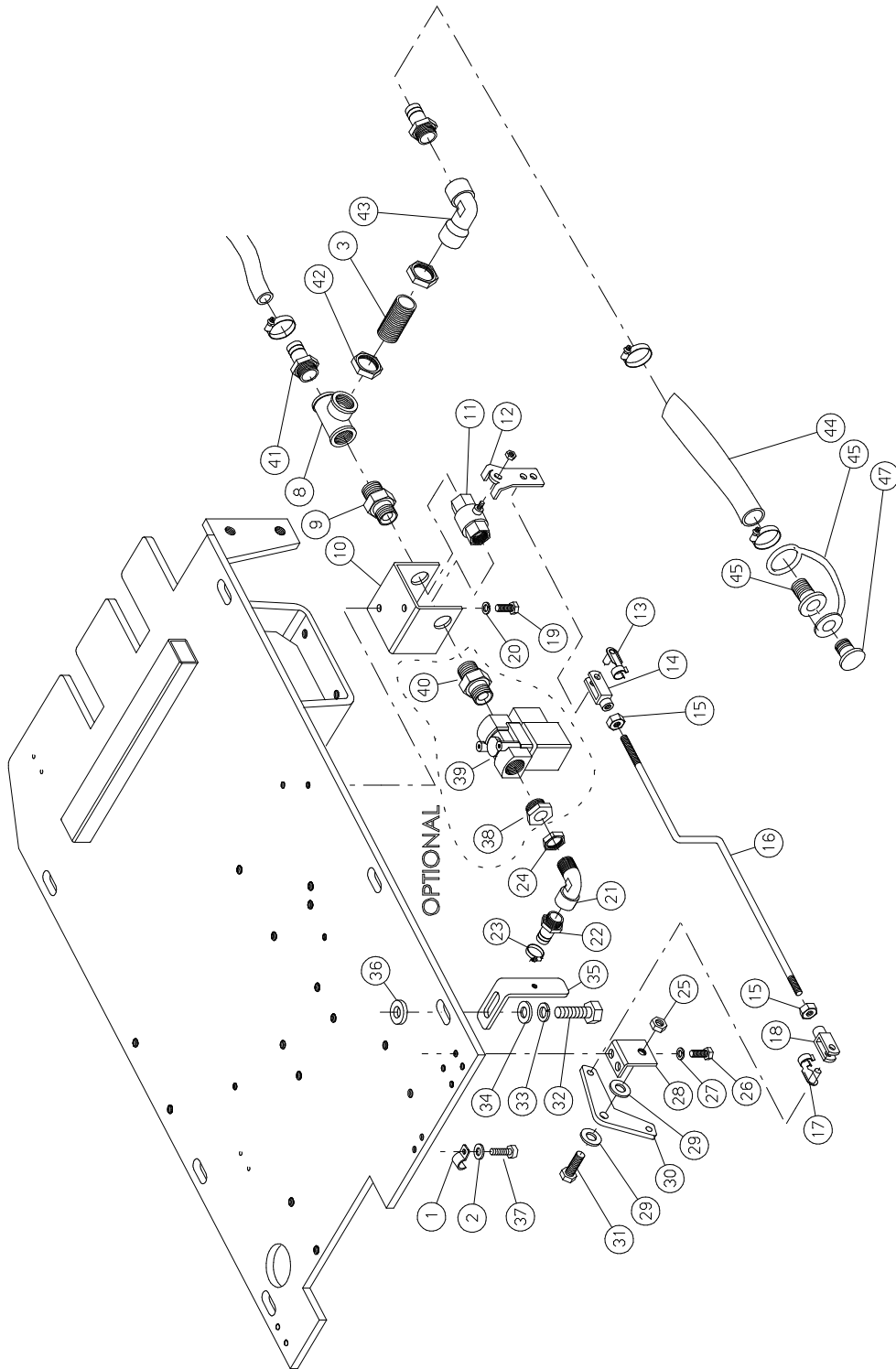


N.Position	Code Num	Qta	Descrizione	Description	Description	Bezeichnung
NEW.04.001	VE465	1	VITE ESAGONALE M8x40 UNI 5737/77 IN	SCREW	VIS	SECHSECKIGE SCHRAUBE
NEW.04.002	ST160	1	STAFFA SUPPORTO PERNO SOLL. SQUEEGG	SUPPORT	SUPPORT	BUEGEL
NEW.04.003	DD454	1	DADO AUTOBLOCCANTE M8 INOX	SELFLOCKING NUT	ECROU DE SURETE	SICHERUNGSMUTTER
NEW.04.004	PE235	1	PERNO PER ATTACCO FILO SOLL. SQUEEG	PIN	PIVOT	BOLZEN MIT FEDER
NEW.04.005	DD405	1	DADO M8 UNI 5588 INOX	INOX NUT	ECROU	MUTTER
NEW.04.006	MI115	1	FERMA CAVO FRENO	WIRE TERMINAL	ETAU	DRAHTKLEMME
NEW.04.007	VG020	2	GRANO M6x8 C/PUNTA UNI 5927	DOWEL	GRAIN	DUEBEL MIT SPITZE
NEW.04.008	PT245	1	PIASTRA PER SUPPORTO SQUEEGEE	PLATE	PLAQUETTE	TELLER
NEW.04.009	VV439	4	VITE SVAS.BRUGOLA M8x16 UNI5933/77	COUNTERSUNK SCREW	VIS	SENKSCHRAUBE
NEW.04.010	SG065	1	ANELLO SEEGER PER INT.DIAM.42 UNI	O-RING	SEEGER	SEEGERRING
NEW.04.011	CS034	1	SNODO GE25ES	BEARING	ROULEMENT	LAGER
NEW.04.012	IR001	1	INGRASSATORE C/CHIUS.A SFERA M6 UNI	GREASER	GRAISSEUR	FETTBUECHSE
NEW.04.013	RO516	1	RONDELLA SLARG. D.8x30 UNI6592/69 I	WASHER	RONDELLE	SCHIEBE
NEW.04.014	RO455	1	RONDELLA SPACCATA DIAM. 8 UNI 1751	WASHER	RONDELLE	SCHIEBE
NEW.04.015	VE461	1	VITE ESAGONALE M8x20 UNI 5739 INOX	SCREW	VIS	SECHSECKIGE SCHRAUBE
NEW.04.016	MI305	1	FILO SOLLEVAMENTO SQUEEGEE L=1000	SQUEEGEE LIFTING WIRE	FIL FREIN	DRAHTBREMSE
NEW.04.017	MI228	1	REGISTRO FERMA GUAINA SQUEEGEE	RECORD STILL SHEATH	ENREGISTREMENT ENCORE GAINÉ	REKORD NOCH SHEATH
NEW.04.018	SP012	2	SPINA ELASTICA 5x30 UNI 6873	SQUEEGEE	RACLETTE	SQUEEGEE
NEW.04.019	DD454	1	DADO AUTOBLOCCANTE M8 INOX	TENSION PIN	CONNECTEUR	SPANNSTIFT
NEW.04.020	SU519	1	SUPPORTO ALZA SQUEEGEE	SELFLOCKING NUT	ECROU DE SURETE	SICHERUNGSMUTTER
NEW.04.021	DD405	1	DADO M8 UNI 5588 INOX	SUPPORT	SUPPORT	HALTER
NEW.04.022	LV332	1	DADO M8 UNI 5588 INOX	INOX NUT	ECROU	MUTTER
NEW.04.023	MI5022	1	LEVA OSCILLAZIONE SQUEEGEE	SQUEEGEE FLUCTUATION	LEVIER	HEBEL
NEW.04.024	MI5022	1	SNODI ORIENTABILI M 6	BALL JOINT	JOINT A ROTULE	KUGELGELENK
NEW.04.024	DD405	1	DADO M8 UNI 5588 INOX	INOX NUT	ECROU	MUTTER
NEW.04.025	SG050	2	ANELLO SEEGER PER INT.DIAM.26 UNI 7	RING	SEEGER	SEEGERRING
NEW.04.026	VI5010	2	RONDELLA De26 Di8,5 sp 6	WASHER	RONDELLE	SCHIEBE
NEW.04.027	AM5001	1	AMMORTIZZATORE RITORNO P.P.V. ZINCA	DAMPER	AMORTISSEUR	DAMPFER
NEW.04.028	RO404	1	RONDELLA NORM.DIAM. 8 UNI 6592 INOX	WASHER	RONDELLE	SCHIEBE
NEW.04.029	DD454	1	DADO AUTOBLOCCANTE M8 INOX	SELFLOCKING NUT	ECROU DE SURETE	SICHERUNGSMUTTER
NEW.04.030	ML167	1	MOLLA GUIDA SQUEEGEE	SCREW	VIS	SECHSECKIGE SCHRAUBE
NEW.04.031	VB496	1	VITE TESTA A BRUGOLA M8x150 INOX -	KNOB	POMMEAU	KUGELGRIFF
NEW.04.032	VP042	2	POMELLO A LEVA M.8 x20-	KNOB	POMMEAU	KUGELGRIFF
NEW.04.033	VI060	2	ROND. INOX CON FILETTO M8	WASHER	RONDELLE	SCHIEBE
NEW.04.034	RO404	2	RONDELLA NORM.DIAM. 8 UNI 6592 INOX	WASHER	RONDELLE	SCHIEBE
NEW.04.035	VE462	2	VITE ESAGONALE M8x25 UNI 5739 INOX	SCREW	VIS	SECHSECKIGE SCHRAUBE
NEW.04.036	TP229	1	TELAIO SUPPORTO SQUEEGEE	BASE FRAME	CHASSIS	UNTERLAGERAHMEN
NEW.04.037	TB131	1	TUBO FLEX ANIMA IN ACCIAIO D.38 L=8	HOSE	TUYAU FLEX D.38 L=850	ROHR
NEW.04.038	VP015	8	POMELLO A 6 LOBI FEMMINA M6	KNOB	POMMEAU	KUGELGRIFF
NEW.04.039	LM787	2	LISTELLO POSTERIORE SQUEEGEE MOD. A	SQUEEGEE REAR LISTEL	LISTEL POSTERIEUR SUC	RUECKLEISTE RECHTS
NEW.04.040	BP438	1	LAMA ANTERIORE POLIURETANO SQUEEGEE	SQUEEGEE FRONT BLADE	BAVETTE ANTERIEURE EN	RUECKMESSER
NEW.04.041	SQ083	1	CORPO SQUEEGEE PINKY26 MODELLO A "V	SQUEEGEE BODY FOR ET/	CORP SUCEUR ET/65R A	SAUGFUSS
NEW.04.042	DD261	2	DADO CIECO M8 ZN C/CALOTTA NERA	CAP NUT	ECROU BORGNE	HUTMUTTER
NEW.04.043	RO404	2	RONDELLA NORM.DIAM. 8 UNI 6592 INOX	WASHER	RONDELLE	SCHIEBE
NEW.04.044	RT063	2	RUOTA D.80x25 TIPO A01080	WHEEL	ROUE	RAD
NEW.04.045	BO141	2	BOCCOLA LEVE DI SOLLEV.PIATTO SPAZZ	LIFTING LEVER BUSH	BAGUE LEVIER SOULEV.	BUSCH
NEW.04.046	RT020	2	RUOTA PIVOTTANTE	WHEEL	ROUE	RAD
NEW.04.047	GH051	2	GHIERA PER REGOLAZIONE SQUEEGEE	RING NUT FOR SQUEEGEE	BAGUE POUR REGULATION	RING FÜR EINSTELLUNG
NEW.04.048	SU705	2	SUPPORTO RUOTA PIVOTTANTE SQUEEGEE	CASTOR WHEEL SUPPORT	SUPPORT ROUE PIVOTTAN	LENKRADEUR SUPPORT
NEW.04.049	RO404	2	RONDELLA NORM.DIAM. 8 UNI 6592 INOX	WASHER	RONDELLE	SCHIEBE
NEW.04.050	RO455	2	RONDELLA SPACCATA DIAM. 8 UNI 1751	WASHER	RONDELLE	SCHIEBE
NEW.04.051	VE460	2	VITE ESAGONALE M8x16 UNI 5739 INOX	SCREW	VIS	SECHSECKIGE SCHRAUBE
NEW.04.052	DD405	1	DADO M8 UNI 5588 INOX	INOX NUT	ECROU	MUTTER
NEW.04.053	BP435	1	LAMA POSTERIORE SQUEEGEE MOD."V" PI	SQUEEGEE REAR BLADE "	BAVETTE POSTERIEURE S	SAUGFUSSRUECKMESSER
NEW.04.054	LM787	2	LISTELLO POSTERIORE SQUEEGEE MOD. A	SQUEEGEE REAR LISTEL	LISTEL POSTERIEUR SUC	RUECKLEISTE
NEW.04.055	VP015	8	POMELLO A 6 LOBI FEMMINA M6	KNOB	POMMEAU	KUGELGRIFF
NEW.04.056	KIT1078	1	KIT LAME SQUEEGEE A "V" PINKY26 -	SQUEEGEE BLADE SET "V	JEU DES BAVETTES A "V	MESSERSBAUSATZ
NEW.04.057	KIT1077	1	KIT SQUEEGEE COMPLETO A "V" PINKY26	COMPLETE SQUEEGEE ASS	ASSEMBLAGE SUCEUR COM	SAUGFUSSBAUSATZ



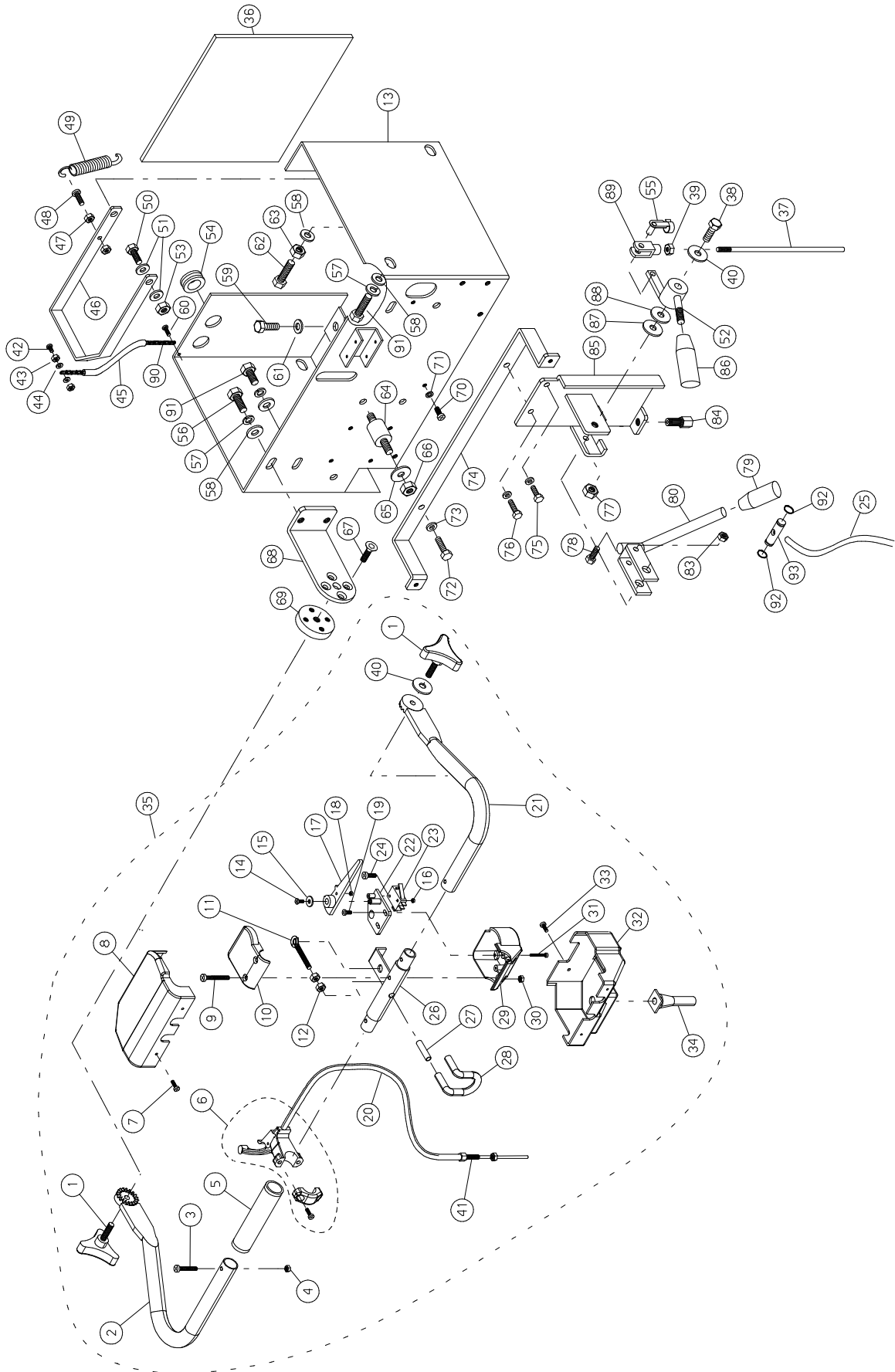


N.Position	C.N.	Qta	Descrizione	Description	Description	Bezeichnung
NEW.05.001	VE465	4	VITE ESAGONALE M8x40 UNI 5737/77 IN	SCREW	VIS	SECHSECKIGE SCHRAUBE
NEW.05.002	FU003	1	SEMISCATOLA SX.	L.H. HALF-BOX	DEMI-BOITE	HALBSCHACHTEL L.
NEW.05.003	SU008	1	SUPPORTO PERNO SATELLITI	PIN SUPPORT	SUPPORT	BOLZENHALTER
NEW.05.004	PE031	1	PERNO SATELLITE DIFFERENZIALE	DIFFER.SIDE PINION PI	PIVOT	BOLZEN
NEW.05.005	IG002	2	SATELLITE DIFFERENZIALE	DIFFER. SIDE PINION	SATELLITE DIFFER.	AUSGLEICHSSATELLIT
NEW.05.006	IG006	1	SEMIASSE DX DIFFERENZIALE	RH DIFFER. AXLE SHAFT	DEMI-ESSIEU	HALBACHSE, R.
NEW.05.007	CH023	2	LINGUETTA 6x6x30 UNI6604-A	TONGUE	CLAVETTE	PASSFEDER
NEW.05.008	FU002	1	SEMISCATOLA DX.	R.H. HALF-BOX	DEMI-BOITE	HALBSCHACHTEL, R.
NEW.05.009	IR001	1	INGRASSATORE C.CHIUS.A SFERA M6 UNI	GREASER	GRAISSEUR	SCHMIERBUECHSE
NEW.05.010	DD254	4	DADO AUTOBLOCCANTE M8	INOX SELF-LOCKING NUT	ECROU DE SURETE	SICHERUNGSMUTTER
NEW.05.011	XD002	1	CORONA 1/2"x3/16" Z=40	RING GEAR	COURONNE	KRANZ
NEW.05.012	RO455	4	RONDELLA SPACCATA DIAM. 8 UNI 1751	INOX WASHER	RONDELLE	SCHEIBE
NEW.05.013	WE243	4	VITE A TESTA ESAGONALE 5/16"x3/4"	SCREW	VIS	SECHSECKIGE SCHRAUBE
NEW.05.014	SG065	4	ANELLO SEEGER PER INT.DIAM.42 UNI 7	SEEGER	SEEGER	SEEGERRING
NEW.05.015	CS005	4	CUSCINETTO A SFERE 6004 2RS1	BALL BEARING	ROULEMENT A BILLES	KUGELLAGER
NEW.05.016	SU042	2	SUPPORTO DIFF.	DIFFER. SUPPORT	SUPPORT	ABSTANDSTUECKSTUETZE
NEW.05.017	DD403	1	DADO M5 UNI 5588/65 INOX	INOX NUT	ECROU	MUTTER
NEW.05.018	RT093	2	RUOTA TRAZIONE 200X50 ANTITRACCIA	DRIVE WHEEL	ROUE MOTRICE	TREIBRAD
NEW.05.019	DD5004	2	DADO M18x1,5	NUT	ECROU	MUTTER
NEW.05.020	RO404	8	RONDELLA NORM.DIAM. 8 UNI 6592/69 I	INOX WASHER	RONDELLE	SCHEIBE
NEW.05.021	RO455	8	RONDELLA SPACCATA DIAM. 8 UNI 1751	INOX WASHER	RONDELLE	SCHEIBE
NEW.05.022	VE461	8	VITE ESAGONALE M8X20 UNI 5737-77 IN	SCREW	VIS	SECHSECKIGE SCHRAUBE
NEW.05.023	MP189	1	SERIE CARBONCINI COMPLETA MBT1141S	MOTOR BRUSH	CARBON	KOHL
NEW.05.023	MP084	4	SPAZZOLA MOTORE 9x19 Lg=28 x MO415	BRUSH	CHARBON	KOHL
NEW.05.024	MO171	1	MOTORIDUTTORE 370W 24V MBT1141S	GEARMOTOR	MOTOREDUCTEUR	GETRIEBEMOTOR
NEW.05.024	MO415	1	MOTORE TRAZ.I21-I26NEW 24V 370W 360 rpm	TRACTION MOTOR	MOTEUR DE TRACTION	MOTOR
NEW.05.025	CH035	1	LINGUETTA 6,3x6,3x30 FORMA B	TONGUE 6,3x6,3X30	CLAVETTE	PASSFEDER
NEW.05.026	SU294	1	SUPPORTO MOTORE TRAZIONE	SUPPORT	SUPPORT	HALTER
NEW.05.027	RO455	4	RONDELLA SPACCATA DIAM. 8 UNI 1751	INOX WASHER	RONDELLE	SCHEIBE
NEW.05.028	VE460	4	VITE ESAGONALE M8x16 UNI 5737/77 IN	SCREW	VIS	SECHSECKIGE SCHRAUBE
NEW.05.029	VG020	2	GRANO M6x8 C/PUNTA	DOWEL	GRAIN	DUEBEL MIT SPITZE
NEW.05.030	XD019	1	PIGNONE 1/2" 3/16" Z13	PINION	PIGNON	RITZEL
NEW.05.031	RO502	1	RONDELLA SLARG. D.8X24 UNI6592/69 I	INOX WASHER	RONDELLE	SCHEIBE
NEW.05.032	RO455	1	RONDELLA SPACCATA DIAM. 8 UNI 1751	INOX WASHER	RONDELLE	SCHEIBE
NEW.05.033	WE241	1	VITE A TESTA ESAGONALE 5/16"x1/2"	SCREW	VIS	SCHRAUBE
NEW.05.034	WV041	4	VITE A BRUGOLA SVASATA 3/8"-16 X 3/	SCREW	VIS	SENKSCHRAUBE
NEW.05.035	VE481	4	VITE ESAGONALE M10X20 UNI 5737/77 I	SCREW	VIS	SCHRAUBE
NEW.05.036	RO405	6	RONDELLA NORM.DIAM. 10 UNI 6592/69	INOX WASHER	RONDELLE	SCHEIBE
NEW.05.037	RT194	1	RUOTA PIVOTTANTE	WHEEL	ROUE	RAD
NEW.05.038	VE460	4	VITE ESAGONALE M8x16 UNI 5737/77 IN	SCREW	VIS	SECHSECKIGE SCHRAUBE
NEW.05.039	RO455	4	RONDELLA SPACCATA DIAM. 8 UNI 1751	INOX WASHER	RONDELLE	SCHEIBE
NEW.05.040	SU605	1	SUPPORTO RUOTA PIVOTTANTE	WHEEL SUPPORT	SUPPORT ROUE	RADHALTER
NEW.05.041	LM041	2	PIASTRINA VITI FISSAGGIO MOTORE	SCREW PLATE	PLAQUE	SCHRAUBENPLATTE
NEW.05.042	VC413	1	VITE CILIN.CROCE M5x16 UNI 7687 INO	SCREW	VIS	ZYLINDERSCHRAUBE
NEW.05.043	PE130	1	PERNO AZIONAMENTO GANASCE FRENO	PIN	PIVOT	BOLZEN
NEW.05.044	MV054	1	MORSETTO FILO	WIRE TERMINAL	ETAU	DRAHTKLEMME
NEW.05.045	IG005	1	SEMIASSE SX DIFFERENZIALE	LH DIFFER. AXLE SHAFT	DEMI-ESSIEU	HALBACHSE, L.
NEW.05.046	VG031	2	GRANO M8x10 UNI 5927/67	DOWEL	GRAIN	DUEBEL
NEW.05.047	FN010	1	GANASCIA FRENO	BRAKE SHOE	GRIFFE	BREMSBACKE
NEW.05.048	RO456	6	ROSETTA SPACCATA D.10 UNI 1751 INOX	INOX WASHER	RONDELLE	SCHEIBE
NEW.05.049	VI032	2	VITE M10 SPECIALE	SCREW	VIS	SCHRAUBE
NEW.05.050	ML055	1	MOLLA RITORNO BLOCCAGGIO	SPRING	RESSORT	FEDER
NEW.05.051	CT003	1	CATENA PSS.1/2" LARGH.INT.4,88 PASS	CHAIN	CHAINE	KETTE
NEW.05.052	CT012	1	GIUNTO CATENA	JUNCTION MESH	MAILLE	GLIED
NEW.05.053	KIT034	1	DIFFER.COMPL.*FANT*	COMPLETE DIFFERENTIAL	DIFFERENTIAL COMPLET	DIFFERENTIAL KPL.
NEW.05.054	KIT551	1	DIFFER.ICM21-26*FANT*	DIFFERENTIAL	DIFFERENTIAL	DIFFERENTIAL
NEW.05.055	RO404	4	RONDELLA NORM.DIAM. 8 UNI 6592/69 I	INOX WASHER	RONDELLE	SCHEIBE
NEW.05.056	RT002	2	RUOTA MOTRICE (ROSSA)	DRIVE WHEEL (RED)	ROUE MOTRICE (ROUGE)	TREIBRAD (ROT)
NEW.05.057	MI104	1	REGISRTO FRENO M8	BRAKE WIRE	REGLAGE FIL FREIN	BREMSE DER FADEN



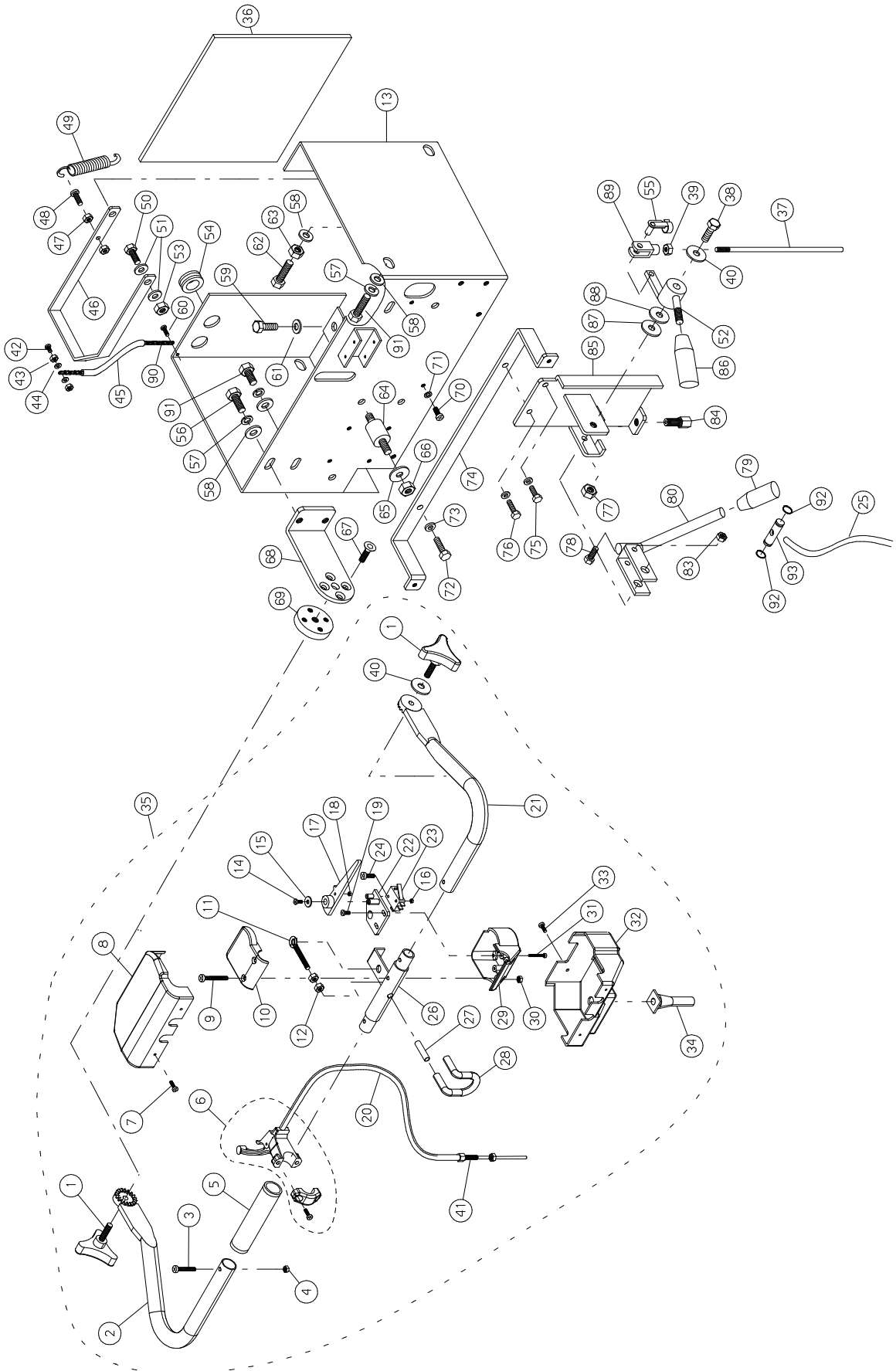


N.Position	C.N.	Qta	Descrizione	Description	Description	Bezeichnung
NEW.06.001	MI221	2	FERMACAVO	FIRM CABLE	ARRÊTÉ CÂBLE	ES HÄLT KABEL AN
NEW.06.002	RO505	2	RONDELLA SLARG.D.4x12 UNI6592/69 IN	WASHER	RONDELLE	SCHEIBE
NEW.06.003	RC203	1	RACCORDO IN OTTONE L=55 1/2 G	UNION	RACCORD	ANSCHLUSS
NEW.06.008	RC067	1	RACCORDO A T F/F 1/2 G	UNION	RACCORD	ANSCHLUSS
NEW.06.009	RC5023	1	NIPLES M-N 3/8 1/2 G	UNION	RACCORD	ANSCHLUSS
NEW.06.010	ST053	1	STAFFA SUPPORTO RUBINETTO SOLUZIONE	SUPPORT	SUPPORT	BUEGEL
NEW.06.011	RB007	1	RUBINETTO SOLUZIONE F/F 3/8G L=51mm	SOLUTION VALVE	ROBINET	HAHN
NEW.06.012	LV178	1	LEVA RUBINETTO SOLUZIONE	VALVE LEVER	LEVIER	HEBEL
NEW.06.013	MI028	1	PERNO CON MOLLA PER FORCELLA M6 (lu	PIN	PIVOT	BOLZEN MIT FEDER
NEW.06.014	SN002	1	SNODO (forcella) M6 (lunga)	JOINT	JOINT	LANGES GELENK
NEW.06.015	DD404	2	DADO M6 UNI 5588/65 INOX	INOX NUT	ECROU	MUTTER
NEW.06.016	TI185	1	TIRANTE RUBINETTO SOLUZIONE	TIE ROD	TIRANT	SPANNSTANGE
NEW.06.017	MI006	1	CLIPS PER FORCELLA M6 -	PIN WITH SPRING	PIVOT	BOLZEN FUER SN001
NEW.06.018	SN001	1	SNODO (forcella) M6	JOINT	JOINT	GELENK
NEW.06.019	VE441	2	VITE ESAGONALE M6x10 UNI 5737/77 IN	SCREW	VIS	SECHSECKIGE SCHRAUBE
NEW.06.020	RO454	2	RONDELLA SPACCATA DIAM. 6 UNI 1751	INOX WASHER	RONDELLE	SCHEIBE
NEW.06.021	RC073	1	RACCORDO M/F 90° 3/8	UNION	RACCORD	ANSCHLUSS
NEW.06.022	RC002	1	RACCORDO 3/8 MASCHIO P/GOMMA 12	UNION	RACCORD	ANSCHLUSS
NEW.06.023	FS002	4	FASCETTA 12/22	CLAMP 12/20	BANDE	SCHELLE
NEW.06.024	GH007	1	GHIERA RUBINETTO SOLUZIONE 3/8	SOLUT.VALVE RING NUT	EMBOUT	GITTER
NEW.06.025	DD405	1	DADO M8 UNI 5588/65 INOX	INOX NUT	ECROU	MUTTER
NEW.06.026	VE441	2	VITE ESAGONALE M6x10 UNI 5737/77 IN	SCREW	VIS	SCHRAUBE
NEW.06.027	RO454	2	RONDELLA SPACCATA DIAM. 6 UNI 1751	INOX WASHER	RONDELLE	SCHEIBE
NEW.06.028	LM067	1	SQUADRO LEVA RINVIO TIRANTE SOLUZIO	EL.GROUP COVER SHEET	EQUERRE	WINKEL
NEW.06.029	RO404	2	RONDELLA NORM.DIAM. 8 UNI 6592/69 I	INOX WASHER	RONDELLE	SCHEIBE
NEW.06.030	LV046	1	LEVA RINVIO SOLUZIONE	TRANSMISSION LEVER	LEVIER	HEBEL
NEW.06.031	VE461	1	VITE ESAGONALE M8X20 UNI 5737-77 IN	SCREW	VIS	SECHSECKIGE SCHRAUBE
NEW.06.032	VE492	6	VITE ESAGONALE M10x25 UNI 5737/77 I	SCREW	VIS	SCHRAUBE
NEW.06.033	RO456	4	ROSETTA SPACCATA D.10 UNI 1751 INOX	INOX WASHER	RONDELLE	SCHEIBE
NEW.06.034	RO405	6	RONDELLA NORM.DIAM. 10 UNI 6592/69	INOX WASHER	RONDELLE	SCHEIBE
NEW.06.035	PT059	2	PIASTRINA GRANDE ATTACCO MINIGONNA	PLATE	PLAQUETTE	TELLER
NEW.06.036	DT143	6	DISTANZIALE TELAIO-SERBATOIO	SPACER	ENTRETOISE	DISTANZSTUECK
NEW.06.037	VC403	2	VITE CILIN.CROCE M4x12 UNI 7687 INO	SCREW	VIS	SECHSECKIGE SCHRAUBE
NEW.06.038	RC017	1	RACCORDO M/F 1/2"3/8"	UNION	RACCORD	ANSCHLUSS
NEW.06.039	RB015	1	ELETTROVALVOLA COMPLETA DI BOBINA 2	SOLENOID VALVE	SOUPAPE ELECTRIQUE	ELEKTROVENTIL KPL.
NEW.06.040	RC5023	1	NIPLES M-N 3/8 1/2 G	UNION	RACCORD	ANSCHLUSS
NEW.06.041	RC051	2	RACCORDO 1/2" MASCHIO PORTAGOMMA D.16	UNION	RACCORD	ANSCHLUSS
NEW.06.042	GH023	2	GHIERA RUBINETTO SOLUZIONE 1/2	SOLUT.VALVE RING NUT	EMBOUT	GITTER
NEW.06.043	RC072	1	RACCORDO F/F A 90 1/2	UNION	RACCORD	ANSCHLUSS
NEW.06.044	TB341	1	TUBO SCARICO SOLUZIONE L=730	PIPE	TUYAU	ROHR
NEW.06.045	RC089	1	RACCORDO F.1/2" IN PVC P/GOMMA 15-	UNION	RACCORD	ANSCHLUSS
NEW.06.046	GR126	1	GUARNIZIONE FERMA TAPPO SBR 2 mm	GASKET	GARNITURE	DICHTUNG
NEW.06.047	RC132	1	TAPPO 1/2" IN PVC CON LAVORAZ	PLUG	BOUCHON	STOPFEN





N.Position	C.N.	Qta	Descrizione	Description	Description	Bezeichnung
NEW.07.001	VP022	2	POMELLO M8x30 A 3 LOBI	KNOB	POMMEAU	KNOPF
NEW.07.002	MN067	1	SEMIMANICO SINISTRO	SEMI-HANDLE L.	SEMI MANCHE GAUCHE	SAMEN LINKER GRIFF
NEW.07.003	VC407	1	VITE CILIN.CROCE M4x30 UNI 7687 INO	SCREW	VIS	ZYLINDERSCHRAUBE
NEW.07.004	DD402	1	DADO M4 UNI 5588-65 INOX	INOX NUT	ECROU	MUTTER
NEW.07.005	MN065	2	MANOPOLA CON FORO ART.738	HAND GRIP	POIGNEE	KNOPF
NEW.07.006	LV296	1	LEVA FRENO PER TUBO 22mm	BRAKE LEVER	LEVIER FREIN	BREMSHEBEL
NEW.07.007	VA251	2	VITE AUTOFILETTANTE TC 3.9x13 UNI 6954/71	SCREW	VIS	SCHRAUBE
NEW.07.008	CA184	1	CARTER COPRIMANICO SUPERIORE	HANDLE COVER	CARTER SUP.POIGNEE	OBENGEHAEUSE
NEW.07.009	VS419	2	VITE SVASATA TC M5x35 INOX	SCREW	VIS	SENKSCHRAUBE
NEW.07.010	CO176	1	COPERCHIO INFERIORE LEVA AVANZAMENT	COVER	COUVERCLE	UNTENDECKEL
NEW.07.011	MI112	1	GOLFARE M6	EYEBOLT	OILLET	OESENSCHRAUBE
NEW.07.012	DD408	2	DADO M6 BASSO INOX	INOX SELF-LOCKING NUT	ECROU DE SURETE	SICHERUNGSMUTTER
NEW.07.013	LM314	1	LAMIERA SEPARAZIONE VANO BATTERIE	SHEET	TOLE	BLECH
NEW.07.014	VA264	1	VITE AUTOFILET. TC 3.5x13 UNI 6954/	SELF THREADING SCREW	VIS	BLECHSCHRAUBE
NEW.07.015	RO501	1	RONDELLA SLARG.D.6X18 UNI6592/69 IN	INOX WASHER	RONDELLE	SCHEIBE
NEW.07.016	DD450	1	DADO AUTOBLOCCANTE M3 INOX	INOX SELF-LOCKING NUT	ECROU DE SURETE	SICHERUNGSMUTTER
NEW.07.017	LV297	1	LEVA AVANZAMENTO IN PLASTICA	DRIVE LEVER	LEVIER	PLASTIKVORSCHUBSHEBEL
NEW.07.018	DD452	1	DADO AUTOBLOCCANTE M5 INOX	INOX SELF-LOCKING NUT	ECROU DE SURETE	SICHERUNGSMUTTER
NEW.07.019	VA560	2	VITE AUTOFORANTE TC 3,5x16 UNI 6954	SCREW	VIS	SCHRAUBE
NEW.07.020	MI268	1	GUAINA FILO FRENO L=1020	SHEATH	GAINE	HUELSE
NEW.07.021	MN068	1	SEMIMANICO DESTRO	SEMI-HANDLE R.	SEMI MANCHE DROIT	SAMEN RECHTER GRIFF
NEW.07.022	SU170	1	BASSETTA IN PLASTICA SUPPORTO MICRO	PLASTIC BASE	SUPPORT	SOCKEL
NEW.07.023	IN009	1	MICRO SWITCH	MICROSWITCH	MICRO INTERRUPTEUR	MIKROSCHALTER
NEW.07.024	VS429	1	VITE SVASATA TC 3x18 INOX	SCREW	VIS	SENKSCHRAUBE
NEW.07.025	MI305	1	CAVO ALZA SQUEEGEE	CABLE	CABLE	BATTERIEKABEL
NEW.07.026	MN064	1	GIUNTO MANICO	HANDLE COUPLING	JOINT POIGNEE	GRIFFSVERBINDUNG
NEW.07.027	BO190	1	BOCCOLA IN OTTONE D=8 d=6 L=34	BUSH	DOUILLE	BUCHSE AUS MESSING
NEW.07.028	LV326	1	LEVA COMANDO INVERSIONE MARCIA	REVERSE SPEED LEVER	LEVIER MARCHE ARRIERE	BEDIENUNGSHEBEL FUER
NEW.07.029	CO175	1	COPERCHIO SUPERIORE LEVA AVANZAMENT	COVER	COUVERCLE	OBENDECKEL
NEW.07.030	DD452	2	DADO AUTOBLOCCANTE M5 INOX	INOX SELF-LOCKING NUT	ECROU DE SURETE	SICHERUNGSMUTTER
NEW.07.031	VA258	1	VITE AUTOFILET. TC 3,9x45 UNI 6954/	SCREW	VIS	BLECHSCHRAUBE
NEW.07.032	CA185	1	CARTER COPRIMANICO INFERIORE	HANDLE COVER	CARTER INF.POIGNEE	UNTENGEHAEUSE
NEW.07.033	VC403	1	VITE CILINDRICA CROCE M4x12 INOX	SCREW	VIS	SENKSCHRAUBE
NEW.07.034	PY309	1	PASSACAVO IN GOMMA NERA	BLACK RUBBER FAIRLEAD	PASSE-CABLE	KABELDURCHGANG AUS SC
NEW.07.035	KIT472	1	KIT ASSEMBLAGGIO MANICO	COMPLETE HANDLE	MANCHE COMPLET	VOLLSTÄNDIGER GRIFF
NEW.07.036	PA170	1	PARATIA SEPARAZIONE VANO BATTERIE	BULKHEAD	CLOISON	SCHOTT
NEW.07.037	TI133	1	TIRANTE LEVA SOLUZIONE	TIE ROD	TIRANT	SPANNSTANGE
NEW.07.038	VE465	1	VITE ESAGONALE M8x40 UNI 5737/77 IN	SCREW	VIS	SECHSECKIGE SCHRAUBE
NEW.07.039	DD404	1	DADO M6 UNI 5588/65 INOX	INOX NUT	ECROU	MUTTER
NEW.07.040	RO502	1	RONDELLA SLARGATA 8x24	INOX WASHER	RONDELLE	SCHEIBE
NEW.07.041	MI233	1	FILO FRENO L=1640	BRAKE WIRE	FIL FREIN	DRAHTBREMSE
NEW.07.042	VC440	1	VITE CILIN.CROCE M4x20 UNI 7687 INO	SCREW	VIS	ZYLINDERSCHRAUBE
NEW.07.043	DD451	2	DADO AUTOBLOCCANTE M4 INOX	SELF-LOCKING NUT	ECROU DE SURETE	SICHERUNGSMUTTER
NEW.07.044	RO401	2	ROSETTA DIAM. 4 UNI 6592/69 INOX	INOX WASHER	RONDELLE	SCHEIBE
NEW.07.045	PY544	1	GUAINA NERA D=10mm L=300mm	SHEATH	GAINE	HUELSE
NEW.07.046	LM326	1	LAMIERA FERMA MOTORE ASPIRAZIONE	SHEET	TOLE	BLECH
NEW.07.047	DD403	2	DADO M5 UNI 5588/65 INOX	INOX NUT	ECROU	MUTTER
NEW.07.048	VC414	1	VITE CILIN.CROCE M5x20 UNI 7687 IN	SCREW	VIS	ZYLINDERSCHRAUBE
NEW.07.049	ML065	1	MOLLA L=80	BRUSH PRESSURE SPRING	RESSORT	FEDER
NEW.07.050	VE461	1	VITE ESAGONALE M8X20 UNI 5737-77 IN	SCREW	VIS	SECHSECKIGE SCHRAUBE
NEW.07.051	RO404	6	RONDELLA NORM.DIAM. 8 UNI 6592/69 I	INOX WASHER	RONDELLE	SCHEIBE
NEW.07.052	LV234	1	LEVA RUBINETTO SOLUZIONE	LEVER	LEVIER	HEBEL
NEW.07.053	PY240	2	PASSACAVO TELAIO MEDIO	FAIRLEAD	PASSE-CABLE	KABELDURCHGANG
NEW.07.054	VE460	1	VITE ESAGONALE M8x16 UNI 5737/77 IN	SCREW	VIS	SECHSECKIGE SCHRAUBE
NEW.07.055	MI006	1	CLIPS PER FORCELLA M6	PIN WITH SPRING	PIVOT	BOLZEN FUER SN001
NEW.07.056	VE461	2	VITE ESAGONALE M8X20 UNI 5737-77 IN	SCREW	VIS	SECHSECKIGE SCHRAUBE
NEW.07.057	RO455	6	RONDELLA SPACCATA DIAM. 8 UNI 1751	INOX WASHER	RONDELLE	SCHEIBE
NEW.07.058	RO502	8	RONDELLA SLARG. D.8X24 UNI6592/69 I	INOX WASHER	RONDELLE	SCHEIBE
NEW.07.059	VE445	4	VITE ESAGONALE M6x25 UNI 5737/77 IN	SCREW	VIS	SCHRAUBE
NEW.07.060	VA221	1	VITE AUTOFILETTANTE 4.8x9 SENZA PUNTA	SCREW	VIS	SCHRAUBE
NEW.07.061	RO501	4	RONDELLA SLARG.D.6X18 UNI6592/69 IN	INOX WASHER	RONDELLE	SCHEIBE
NEW.07.062	VE463	2	VITE ESAGONALE M8X30 UNI 5737-77 IN	SCREW	VIS	SECHSECKIGE SCHRAUBE
NEW.07.063	DD405	2	DADO M8 UNI 5588/65 INOX	INOX NUT	ECROU	MUTTER
NEW.07.064	PY263	2	SUPPORTO PER FUSE MORSETTIERA	TERMINAL BOARD SUPPOR	SUPPORT	HALTER
NEW.07.065	RO502	4	RONDELLA SLARG. D.8X24 UNI6592/69 I	INOX WASHER	RONDELLE	SCHEIBE
NEW.07.066	DD905	2	DADO M8 UNI 5588/65 OTTONE	BRASS NUT	ECROU DE SUR. LAITON	MUTTERSCHRAUBE
NEW.07.067	VS421	8	VITE SVASATA TC M6x12 UNI 7688 INOX	SCREW	VIS	SENKSCHRAUBE
NEW.07.068	SU344	2	SUPPORTO MANICO	HANDLE SUPPORT	SUPPORT MANCHE	HALTER
NEW.07.069	MV068	2	CERNIERA DENTATA PER ROTAZIONE MANI	HANDLE ROT. HINGE	CHARNIERE ROT.POIGNEE	CHARNIER
NEW.07.070	VC410	6	VITE CILIN.CROCE M5x12 UNI 7687 INO	SCREW	VIS	ZYLINDERSCHRAUBE

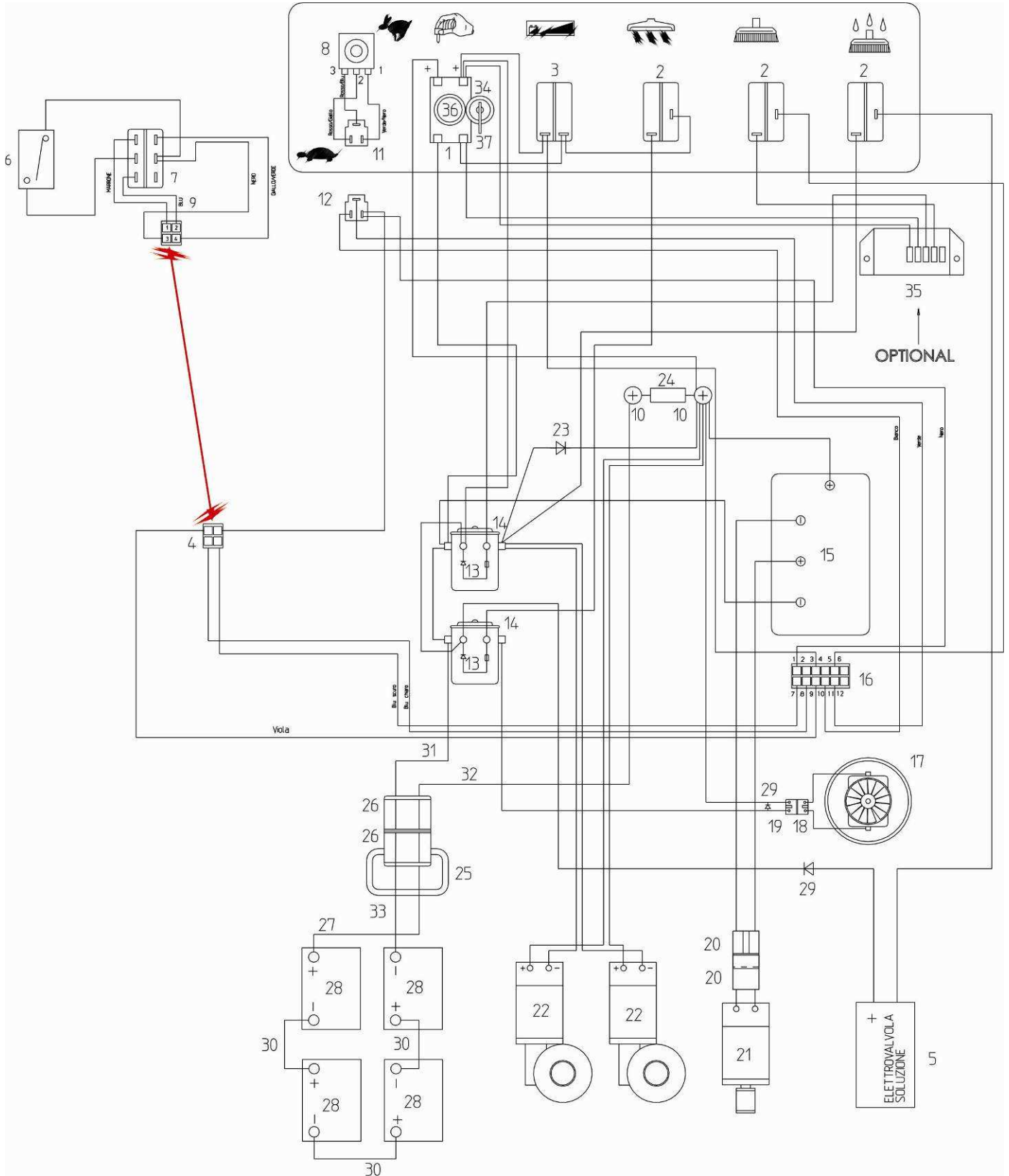




N.Position	C.N.	Qta	Descrizione	Description	Description	Bezeichnung
NEW.07.071	RO453	4	ROSETTA SPACCATA D.5 UNI 1751 INOX	INOX WASHER	RONDELLE	SCHEIBE
NEW.07.072	VE442	1	VITE ESAGONALE M6x12 UNI 5737/777 IN	SCREW	VIS	SECHSECKIGE SCHRAUBE
NEW.07.073	RO454	3	RONDELLA SPACCATA DIAM. 6 UNI 1751	INOX WASHER	RONDELLE	SCHEIBE
NEW.07.074	LM315	1	LAMIERINO SUPPORTO CARTER POSTERIOR	SHEET	TOLE	BLECH
NEW.07.075	VE441	1	VITE ESAGONALE M6x10 UNI 5737/777 IN	SCREW	VIS	SCHRAUBE
NEW.07.076	VE444	1	VITE ESAGONALE M6x20 UNI 5737/777 IN	SCREW	VIS	SECHSECKIGE SCHRAUBE
NEW.07.077	DD405	1	DADO M8 UNI 5588/65 INOX	INOX NUT	ECROU	MUTTER
NEW.07.078	VE443	2	VITE ESAGONALE M6x16 UNI 5737/777 IN	SCREW	VIS	SECHSECKIGE SCHRAUBE
NEW.07.079	VP003	1	POMELLO M10	KNOB	POMMEAU	KNOPF
NEW.07.080	LV241	1	LEVA FRENO	BRAKE LEVER	LEVIER FREIN	HANDBREMSE
NEW.07.081	SG001	2	ANELLO SEEGER PER EST.DIAM.10 UNI 7	SEEGER RING	SEEGER	SEEGERRING
NEW.07.082	PE236	1	PERNO SUPPORTO FILO SQUEEGEE	PIN	PIVOT	BOLZEN
NEW.07.083	DD253	2	DADO AUTOBLOCCANTE M6	INOX NUT	ECROU	MUTTER
NEW.07.084	MI104	1	REGISTRO FILO FRENO M8	BRAKE WIRE	REGLAGE FIL FREIN	BREMSE DER FADEN
NEW.07.085	SU345	1	SUPPORTO LEVA FRENO	BRAKE LEVER SUPPORT	SUPPORT LEVIER FREIN	HALTER
NEW.07.086	VP002	1	POMELLO M8	KNOB	POMMEAU	BALLENGRIFF
NEW.07.087	RO314	1	RONDELLA ONDULATA D=10	WASHER	RONDELLE	SCHEIBE
NEW.07.088	BO021	2	BOCCOLA FRIZIONE LEVA SOLUZIONE	SOLUT.LEV.CLUTCH BUSH	DOUILLE	BUCHSE
NEW.07.089	SN001	1	SNODO (forcella) M6	JOINT	JOINT	GELENK
NEW.07.090	MI206	1	CATENE CON 31 MAGLIE	CHAIN	CHAINE	KETTE
NEW.07.091	VE460	4	VITE ESAGONALE M8x16 INOX	SCREW	VIS	ZYLINDERSCHRAUBE



N.Position	C.N.	Qta	Descrizione	Description	Description	Bezeichnung
NEW.08.001	IN099	2	FRUTTO NORMALMENTE APERTO	NORMALLY OPEN CONTACT	CONTAT NORMAL.OUVERT	KONTAKT
NEW.08.002	IN022	3	INTERRUTTORE A SCATTO	SNAP SWITCH	INTERRUPTEUR A RESSOR	FEDERSCHALTER
NEW.08.003	PY378	1	INDICATORE DI CARICA BATTERIA 24V	BATTERY INDICATOR	INDICATEUR	STATUSANZEIGER
NEW.08.004	PY699	1	CONNETTORE 4 POLI FEMMINA	CONNECTOR	CONNECTEUR	4-POLIGER KONTAKTSTIF
NEW.08.005	RB015	1	ELETTROVALVOLA COMPLETA DI BOBINA 2	SOLENOID VALVE	SOUPAPE ELECTRIQUE	ELEKTROVENTIL KPL.
NEW.08.006	IN009	1	MICRO INTERRUTTORE	MICROSWITCH AM15039	MICRO INTERRUPTEUR	MIKROSCHALTER
NEW.08.007	IN063	1	INTERRUTTORE A SCATTO 6 CONTATTI	SWITCH	INTERRUPTEUR	FEDERSCHALTER
NEW.08.008	KIT226	1	ASSEMBL.POTENZ.REGOL.PRESS.SPAZZ-F	POTENTIOMETER ASSY	ASS.POTENTIOMETRE	POTENTIOMETERZUSAMM.
NEW.08.009	PY698	1	CONNETTORE MASCHIO 4 POLI	CONNECTOR	CONNECTEUR	STECKER
NEW.08.010	PY263	2	SUPPORTO PER FUSE MORSETTIERA	TERMINAL BOARD SUPPOR	SUPPORT	HALTER
NEW.08.011	PY302	1	CONNETTORE 3 POLI FEMM ATT FASTON	3-POLE CONNECTOR	CONNECTEUR	3-POLIGE STECKERHUELS
NEW.08.012	PY301	1	CONNETTORE 3 POLI MASCHIO ATT FASTO	3-POLE CONNECTOR	CONNECTEUR	3-POLIGER KONTAKTSTIF
NEW.08.013	PY460	2	FILTRO ANTIDISTURBO SENZA FILI	NET	RESEAU	NETZ
NEW.08.014	SL001	2	SOLENOIDE 24 VOLT	SOLENOID	SOLENOIDE 24 VOLT	SOLENOID
NEW.08.015	PY501	1	GRUPPO ELETTRONICO 24V 60A	ELETRIC SYSTEM	GROUPE ELECTRIC	ELETRICGRUPPE
NEW.08.016	CW512	1	CAVO SCHEDA DI CONTROLLO	CHECK CABLE CARD	CABLE CONSEIL DE CONTRÔLE	KABEL KONTROLLSTELLE
NEW.08.017	MO180	1	MOTORE ASPIRAZIONE 24V	24V BY-PASS VACUUM MO	MOTEUR	SAUGMOTOR 24V
NEW.08.018	PY031	1	SPINA MASCHIO TIPO 163/2	MALE PLUG	CONNECTEUR	STECKER
NEW.08.019	PY030	1	SPINA FEMMINA TIPO 160BU	FEMALE PLUG	CONNECTEUR	STECKHUELSE
NEW.08.020	PY032	2	SPINA 50A	BATTERY CHARGE PLUG	CONNECTEUR	STECKER
NEW.08.021	MO171	1	MOTORIDUTTORE 370W 24V MBT1141S	GEARMOTOR	MOTOREDUCTEUR	GETRIEBEMOTOR
NEW.08.021	MO415	1	MOTORE TRAZ.I21-I26NEW 24V 370W 360 rpm	TRACTION MOTOR	MOTEUR DE TRACTION	MOTOR
NEW.08.022	MO277	2	MOTORIDUTTORE 36/24V 500/375W CON M	GEAR MOTOR	MOTOREDUCTEUR	REDUZIERER
NEW.08.023	PY214A	1	DIODO P 600G CON FILO	DYODE	DIODE	DIODE
NEW.08.024	PY157	1	FUSIBILE LAMELLARE 100A	FUSE LAMELL 100A	FUSIBLE	SICHERUNG
NEW.08.025	PY534	1	MANIGLIA PER SPINA SBE 80 A	HANDLE	POIGNEE	GRIFF
NEW.08.026	PY533	2	SPINA CARICABATTERIA SBE 80 A	PLUG	FICHE	BATTERIELADEGERAETSTE
NEW.08.027	CW040	1	CAVO POSITIVO SPI/BAT S=10mmq L=110	CABLE	CABLE	KABEL
NEW.08.028	BT001	4	BATTERIA 6V 220AH TROJAN	BATTERY 6V 220AH	BATTERIE 6V J.105 217	BATTERIE
NEW.08.029	PY214	2	DIODO P 600G	DIODE	DIODE	DIODE
NEW.08.030	PY001	3	CAVO COLLEGAM. BATTERIE S=10mmq L=3	BATTERY CONNECT.CABLE	CABLE	BATTERIEKABEL
NEW.08.031	CW037	1	CAVO NEGATIVO IMP/SPI S=10mmq L=400	CABLE	CABLE	KABEL
NEW.08.032	CW038	1	CAVO POSITIVO IMP/SPI S=10mmq L=400	CABLE	CABLE	KABEL
NEW.08.033	CW039	1	CAVO NEGATIVO SPI/BAT S=10mmq L=110	CABLE	CABLE	KABEL
NEW.08.034	IN112	1	INTERRUTTORE A CHIAVE	KEY SWITCH	INTERRUPTEUR A CLEF	SCHLUESSELSCHALTER
NEW.08.035	PY1116	1	PORTACONTATTI IN FERRO	IRON CONTACT HOLDER	PORTE CONTACT EN FER	KONTAKTEHALTER AUS STAHL
NEW.08.036	IN096	1	CHIAVE PER INTERRUTTORE	KEY	CLES	SCHALTERSCHLUESSEL





N.Position	C.N.	Qta	Descrizione	Description	Description	Bezeichnung
NEW.08.001	IN099	2	FRUTTO NORMALMENTE APERTO	NORMALLY OPEN CONTACT	CONTAT NORMAL.OUVERT	KONTAKT
NEW.08.002	IN022	3	INTERRUTTORE A SCATTO	SNAP SWITCH	INTERRUPTEUR A RESSOR	FEDERSCHALTER
NEW.08.003	PY378	1	INDICATORE DI CARICA BATTERIA 24V	BATTERY INDICATOR	INDICATEUR	STATUSANZEIGER
NEW.08.004	PY699	1	CONNETTORE 4 POLI FEMMINA	CONNECTOR	CONNECTEUR	4-POLIGER KONTAKTSTIF
NEW.08.005	RB015	1	ELETTRICALE COMPLETA DI BOBINA 2	SOLENOID VALVE	SOUPAPE ELECTRIQUE	ELEKTROVENTIL KPL.
NEW.08.006	IN009	1	MICRO INTERRUTTORE	MICROSWITCH AM15039	MICRO INTERRUPTEUR	MIKROSCHALTER
NEW.08.007	IN063	1	INTERRUTTORE A SCATTO 6 CONTATTI	SWITCH	INTERRUPTEUR	FEDERSCHALTER
NEW.08.008	KIT226	1	ASSEMBL.POTENZ.REGOL.PRESS.SPAZZ-F	POTENTIOMETER ASSY	ASS.POTENTIOMETRE	POTENTIOMETERZUSAMM.
NEW.08.009	PY698	1	CONNETTORE MASCHIO 4 POLI	CONNECTOR	CONNECTEUR	STECKER
NEW.08.010	PY263	2	SUPPORTO PER FUSE MORSETTIERA	TERMINAL BOARD SUPPOR	SUPPORT	HALTER
NEW.08.011	PY302	1	CONNETTORE 3 POLI FEMM ATT FASTON	3-POLE CONNECTOR	CONNECTEUR	3-POLIGE STECKERHUELS
NEW.08.012	PY301	1	CONNETTORE 3 POLI MASCHIO ATT FASTO	3-POLE CONNECTOR	CONNECTEUR	3-POLIGER KONTAKTSTIF
NEW.08.013	PY460	2	FILTRO ANTIDISTURBO SENZA FILI	NET	RESEAU	NETZ
NEW.08.014	SL001	2	SOLENOIDE 24 VOLT	SOLENOID	SOLENOIDE 24 VOLT	SOLENOID
NEW.08.015	PY501	1	GRUPPO ELETTRONICO 24V 60A	ELETRIC SYSTEM	GROUPE ELECTRIC	ELETRICGRUPPE
NEW.08.016	PY458	1	INDICATORE STATO BATTERIA 36V	BATT.STATE INDICATOR	INDICATEUR	STATUSANZEIGER
NEW.08.017	MO180	1	MOTORE ASPIRAZIONE 24V	24V BY-PASS VACUUM MO	MOTEUR	SAUGMOTOR 24V
NEW.08.018	PY031	1	SPINA MASCHIO TIPO 163/2	MALE PLUG	CONNECTEUR	STECKER
NEW.08.019	PY030	1	SPINA FEMMINA TIPO 160BU	FEMALE PLUG	CONNECTEUR	STECKHUELSE
NEW.08.020	PY032	2	SPINA 50A	BATTERY CHARGE PLUG	CONNECTEUR	STECKER
NEW.08.021	MO171	1	MOTORIDUTTORE 370W 24V MBT1141S	GEARMOTOR	MOTOREDUCTEUR	GETRIEBEMOTOR
NEW.08.021	MO415	1	MOTORE TRAZ.I21-I26NEW 24V 370W 360 rpm	TRACTION MOTOR	MOTEUR DE TRACTION	MOTOR
NEW.08.022	MO277	2	MOTORIDUTTORE 36/24V 500/375W CON M	GEAR MOTOR	MOTOREDUCTEUR	REDUZIERER
NEW.08.023	PY214A	1	DIODO P 600G CON FILO	DYODE	DIODE	DIODE
NEW.08.024	PY157	1	FUSIBILE LAMELLARE 100A	FUSE LAMELL 100A	FUSIBLE	SICHERUNG
NEW.08.025	PY534	1	MANIGLIA PER SPINA SBE 80 A	HANDLE	POIGNEE	GRIF
NEW.08.026	PY533	2	SPINA CARICABATTERIA SBE 80 A	PLUG	FICHE	BATTERIELADEGERAETSTE
NEW.08.027	CW040	1	CAVO POSITIVO SPI/BAT S=10mmq L=110	CABLE	CABLE	KABEL
NEW.08.028	BT001	4	BATTERIA 6V 220AH TROJAN	BATTERY 6V 220AH	BATTERIE 6V J.105 217	BATTERIE
NEW.08.029	PY214	2	DIODO P 600G	DIODE	DIODE	DIODE
NEW.08.030	PY001	3	CAVO COLLEGAM. BATTERIE S=10mmq L=3	BATTERY CONNECT.CABLE	CABLE	BATTERIEKABEL
NEW.08.031	CW037	1	CAVO NEGATIVO IMP/SPI S=10mmq L=400	CABLE	CABLE	KABEL
NEW.08.032	CW038	1	CAVO POSITIVO IMP/SPI S=10mmq L=400	CABLE	CABLE	KABEL
NEW.08.033	CW039	1	CAVO NEGATIVO SPI/BAT S=10mmq L=110	CABLE	CABLE	KABEL
NEW.08.034	IN112	1	INTERRUTTORE A CHIAVE	KEY SWITCH	INTERRUPTEUR A CLEF	SCHLUESSELSCHALTER
NEW.08.035	PY640	1	BUZZER SOTTOTENSIONE C/BLOCCO FORCHE	24V BATTERY INDICATOR	BUZZER	UNTERSpannungSCHALLSI
NEW.08.036	PY1116	1	PORTACONTATTI IN FERRO	IRON CONTACT HOLDER	PORTE CONTACT EN FER	KONTAKTEHALTER AUS STAHL
NEW.08.037	IN096	1	CHIAVE PER INTERRUTTORE	KEY	CLES	SCHALTERSCHLUESSEL



Mat. n.
Serial no.
Nr. de serie

Data di spedizione
Date of shipment
Date de spedition

Distributed by:

ING. O. FIORENTINI S.p.A.
“THE BEST IN FLOOR MACHINES”

FILIALI:

20132 MILANO – Fax. 02/2592779

Via Palmanova 211/a – Tel. 02/27207783 - 2564810

00012 Guidonia Montecelio (ROMA) – Fax. (0774)353419 - 353314

Via Ponte Corvo 20 – Tel. (0774)357184 - 353015

STABILIMENTO:

50030 PIANCALDOLI (FI) – Fax. 055/817144

Loc. Rombola – Tel. 055/8173610