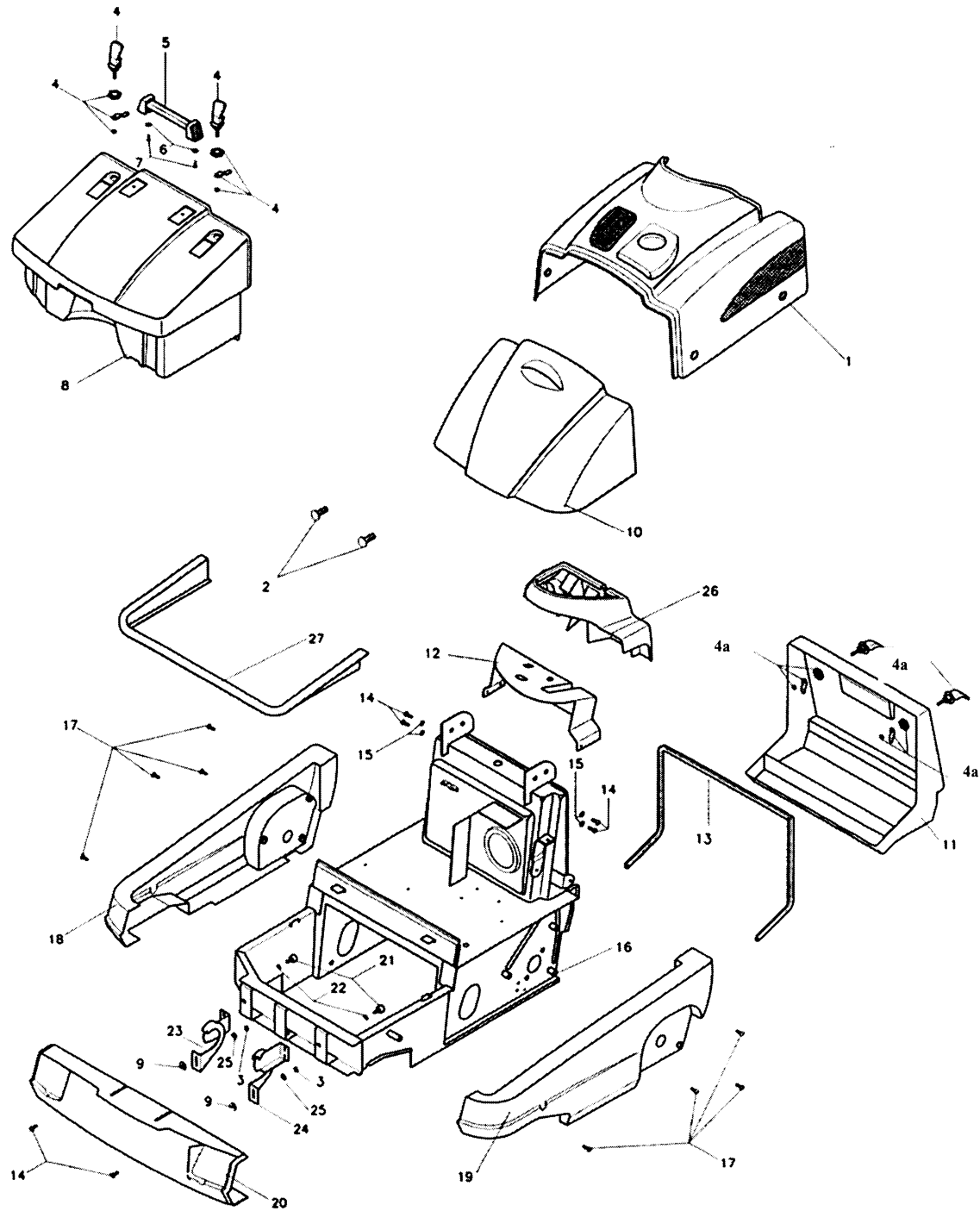


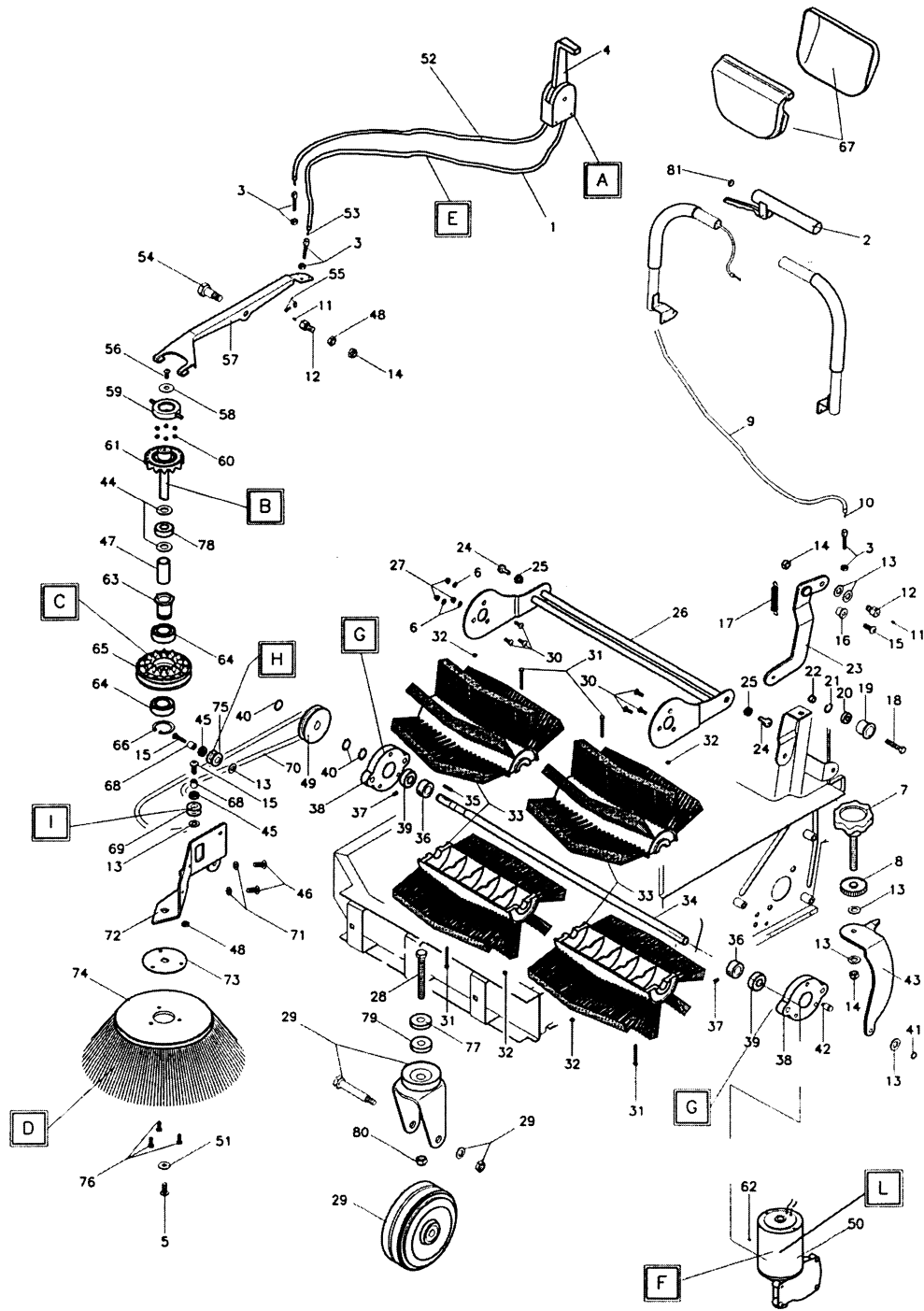


M604E



POS.	REF.	Mach.	N.O.	Omschrijving	Description	Description	Description	Descripción
1	BAL.2120490	A4	1	Bovenkap	Capot supérieur	Upper cover	Upper cover	PANEL DE PROTECCION SUPERIOR, AZUL
2	BAL.2300405	A3	2	Bevestigingsschroef	Vis de fixation	Fixing screw	Fixing screw	TORNILLO DE FIJACIÓN M904
3	ER.12300/080.001	E2	2	Zelfborgende zeskantmoer M8	Ecrou autofreiné hexagonal M8	Prevailing hexagon nut M8	Prevailing hexagon nut M8	TUERCA M8
4	BAL.2300111	C5	4	Sluiting	Serrure complete	Locking	Locking	BLOQUEO
4a	BAL.PMVR00153		2	Sluiting, lang model	Serrure complet, long	Locking, long model	Locking, long model	BLOQUEO MODELO LUNGO
5	BAL.2310097	D5	1	Handvat	Poignée	Handle	Handle	MANGO
6	BAL.1105325	D5	2	Rondsel 6x24x2	Rondelle 6x24x2	Washer 6x24x2	Washer 6x24x2	ARANDELA 6X24X2
7	BAL.1105361	D5	2	Zelftappende schroef 6,3x19	Vis autofil. 6,3x19	Selftapping screw 6,3x19	Selftapping screw 6,3x19	TORNILLO AUTORROSCANTE 6,3X19
8	BAL.2120422	B2	1	Opvangbak vooraan	Bac à déchets frontal	Frontal hub	Frontal hub	CUBO FRONTAL
9	BAL.2110402	D2	2	Schroef, speciaal	Vis spécial	Special screw	Special screw	TORNILLO ESPECIAL
10	BAL.2120432	C3	1	Kap voorkant	Capot frontal	Frontal cap	Frontal cap	TAPA FRONTAL
11	BAL.2120449	D5	1	Opvangbak achteraan	Bac à déchets arrière	Rear hub	Rear hub	CUBO TRASERO
12	BAL.2260406	D3	1	Bedieningsbord	Tableau de bord	Dashbord	Dashbord	TABLERO DE INSTRUMENTOS
13	BAL.2160090	D4	1	Dichting opvangbak, achter	Joint bac à déchets arrière	Gasket rear hub	Gasket rear hub	JUNTA DE CUBO TRASERO
14	BAL.1105239	D1	6	Schroef TBCE M8x16	Vis TBCE M8x16	Screw TBCE M8x16	Screw TBCE M8x16	TORNILLO TBCE M8X16
15	BAL.1105304	C3	4	Rondsel 8x17	Rondelle 8x17	Washer 8x17	Washer 8x17	ARANDELA 8X17
16	BAL.2270407	E3	1	Chassis M604E	Chassis M604E	Frame M604E	Frame M604E	BASTIDOR
17	BAL.1105230	D1	8	Schroef TBCE M8x10	Vis TBCE M8x10	Screw TBCE M8x10	Screw TBCE M8x10	TORNILLO TBCE M8X10
18	BAL.2120440	D2	1	Afdekplaat rechts	Carter latéral droit	Right side casing	Right side casing	CARCASA LATERAL DERECHA
19	BAL.2120441	F3	1	Afdekplaat links	Carter latéral gauche	Left side casing	Left side casing	CARCASA LATERAL IZQUIERDA
20	BAL.2120442	F2	1	Afdekplaat vooraan	Carter frontal	Frontal casing	Frontal casing	CARCASA FRONTAL
21	BAL.1370003	E2	2	Voetje 20x9 M6x18	Pied 20x9 M6x18	Foot 20x9 M6x18	Foot 20x9 M6x18	PATA 20X9 M6X18
22	BAL.1105123	E2	2	Moer M6	Ecrou M6	Nut M6	Nut M6	TUERCA M6
23	BAL.2300414	D2	1	Scharnier, rechts kap voorkant	Charnière, droit capot frontal	Right hinge frontal cap	Right hinge frontal cap	TAPA FRONTAL DE BRIDA DERECHA
24	BAL.2300415	D2	1	Scharnier, links kap voorkant	Charnière, gauche capot frontal	Left hinge frontal cap	Left hinge frontal cap	TAPA FRONTAL DE BRIDA IZQUIERDA
25	BAL.2110403	D2	2	Schroef, speciaal	Vis spécial	Special screw	Special screw	TORNILLO ESPECIAL
26	BAL.2120435	C3	1	Afdekplaat bedieningsbord	Carter tableau de bord	Dashbord cap	Dashbord cap	CUBIERTA DE CUADRO DE INSTRUMENTOS
27	BAL.2120444	D2	1	Beschermingsstrip	Carter de protection	Protection strip	Protection strip	TIRA PROTECTORA

POS.	REF.	Mach.	N.O.	Samengestelde onderdelen	Pièces composées	Assembly's	Assembly's	Despieces compuestos
4,5,6,7,8,	BAL.2310488		1	Opvangbak vooraan, compleet	Bac à déchets avant, complet	Frontal hopper, complete	Frontal hopper, complete	CUBO FRONTAL, COMPLETO 604

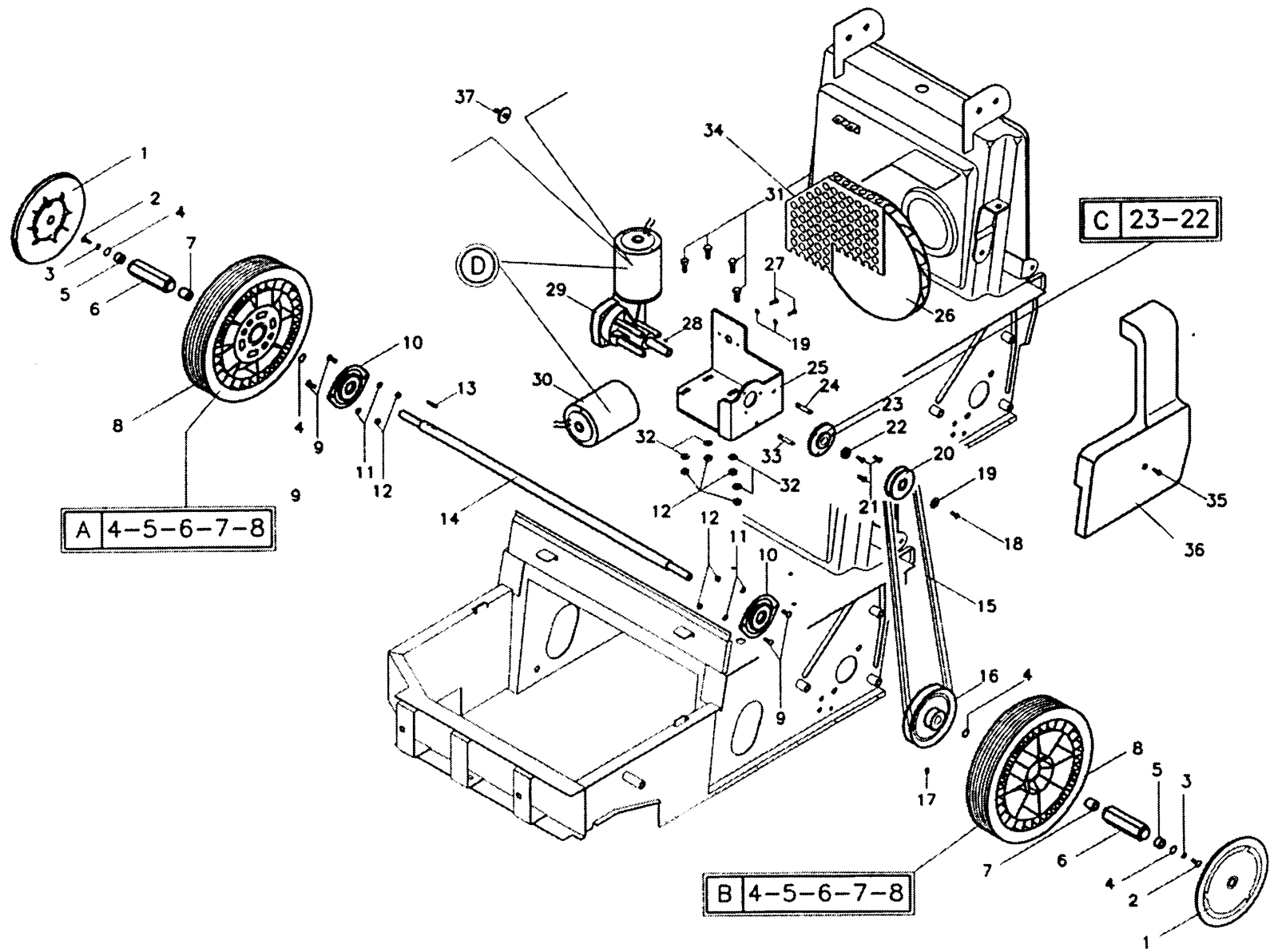


POS.	REF.	Mach.	N.O.	Omschrijving	Description	Description	Description	Descripción
1	BAL.2125017B	B4	1	Beschermkous zijborstel	Gainé brosse latérale	Side brush sheathing	Side brush sheathing	REVESTIMIENTO DEL CABLE DE LA ESCOBILLA LATERAL
2	BAL.2310454	A4	2	Tractiehendel	Poignée de traction	Traction handle	Traction handle	MANGO DE TRACCIÓN
3	BAL.1105229	A2	2	Regelschroef	Barre de réglage tournie ø7	Turned adjuster ø7	Turned adjuster ø7	AJUSTADOR DOBLADO
4	BAL.1125005	A5	1	Hendel zijborstelbediening	Levier de commande brosse latérale	Side brush drive lever	Side brush drive lever	PALANCA DE MANDO DE ESCOBILLA LATERAL
5	BAL.1105162	F1	1	Schroef M6x16	Vis M6x16	Screw M6x16	Screw M6x16	TORNILLO M6X16
6	BAL.1105303	C3	3	Rondsel 6x12	Rondelle 6x12	Washer 6x12	Washer 6x12	ARANDELA 6X12
7	BAL.1320031	D5	1	Schroefknop M12x67	Pommeau M12x67	Handwheel M12x67	Handwheel M12x67	RUEDA DE MANIOBRA M12X67
8	BAL.1110005	D5	1	Gekartelde ring M12	Anneau moltée M12	Curled ring M12	Curled ring M12	TUERCA ANULAR M12
9	BAL.2125013	C5	1	Beschermkous tractiekabel	Gainé câble de traction	Drive cable sheath	Drive cable sheath	REVESTIMIENTO DE CABLE DE MANDO 904
10	BAL.2125013C	C5	1	Tractiekabel	Cable de traction	Drive cable sheath	Drive cable sheath	REVESTIMIENTO DE CABLE DE MANDO 904
11	BAL.1105485	C5	1	Regelschroef	Ergot 5x6	Dowel 5x6	Dowel 5x6	TORNILLO DE FIJACIÓN DE CABLE
12	BAL.2290004	C5	1	Schroef kabelbevestiging	Vis fixation cable	Wire fixing screw	Wire fixing screw	TORNILLO DE FIJACIÓN DE CABLE
13	BAL.1105304	C5	6	Rondsel 8x17	Rondelle 8x17	Washer 8x17	Washer 8x17	ARANDELA 8X17
14	BAL.1105134	C5	4	Zelfborgende moer M8	Ecrou autobloccant M8	Block nut M8	Block nut M8	TUERCA DE RETENCIÓN M8
15	BAL.1105238	C5	4	Schroef M8x25	Vis M8x25	Screw M8x25	Screw M8x25	TORNILLO M8X25
16	BAL.2110025	C5	1	Bus	Douille tendeur courroie	Belt tightener lever's bushing	Belt tightener lever's bushing	CASQUILLO DE LA PALANCA DEL TENSOR DE CORREA
17	BAL.2205005	C5	1	Tractieveer	Ressort traction	Traction spring	Traction spring	MUELLE DE TRACCIÓN
18	BAL.2290001	D5	1	Zelfborgende moer	Vis autobloccant tend. de courroie	Fixing screw belt tightener roller	Fixing screw belt tightener roller	TORNILLO DE FIJACIÓN DE RODILLO TENSOR DE CORREA
19	BAL.2250001	D5	1	Rolletje riemspanner	Rouleau tendeur h15	Belt tightener roll h15	Belt tightener roll h15	RODILLO TENSOR DE CORREA H15
20	ER.608 2RS	D5	1	Lager 608 2RS	Roulement 608 2RS	Bearing 608 2RS	Bearing 608 2RS	COJINETE 608-2RS
21	BAL.1105701	D5	1	Sluitveer int. Ø22	Bague d'arrêt int. Ø22	Inner snap ring ø22	Inner snap ring ø22	ANILLO DE RETENCIÓN INTERIOR DIÁM. 22
22	BAL.2130001	D5	1	Afstandsbus	Entretoise	Spacer	Spacer	SEPARADOR
23	BAL.2190011E	C5	1	Hevel riemspanner	Etrier tendeur de courroie	Belt tightener bracket	Belt tightener bracket	SOPORTE DE APRETADOR DE CORREA
24	BAL.2290007	C3	1	Pin voor wieg	Goujon pour culbuteur	Pin for rocker	Pin for rocker	PASADOR PARA BASCULADOR
25	BAL.2110016	C3	2	Bus voor wieg	Douille culbuteur	Rocker bushing	Rocker bushing	CASQUILLO DE BASCULADOR
26	BAL.2110017	C4	1	Wieg	Culbuteur	Rocker	Rocker	BASCULADOR
27	BAL.1105133	C3	3	Zelfborgende moer M6	Ecrou autobloccant M6	Block nut M6	Block nut M6	TUERCA DE RETENCIÓN M6
28	BAL.1105096	E3	2	Schroef M12x60	Vis M12x60	Screw M12x60	Screw M12x60	TORNILLO M12X60

29	BAL.1250067	E3	2	Voorwiel, zwart, ø100	Roue avant, noir ø100	Wheel ø100, black	Wheel ø100, black	RUEDA (NEGRO) DIÁM.100
30	BAL.1105503	D4	6	Schroef M6x20	Vis M6x20	Screw M6x20	Screw M6x20	TORNILLO M6X20
31	BAL.1105551	C3	6	Schroef M5x70	Vis M5x70	Screw M5x70	Screw M5x70	TORNILLO M5X70
32	BAL.1105122	C3	6	Moer M5	Ecrou M5	Nut M5	Nut M5	TUERCA M5
33	BAL.2350027	D3	1	Centrale borstel	Brosse centrale	Central brush	Central brush	ESCOBILLA CENTRAL M604
34	BAL.2100009	D4	1	Borstelas	Arbre brosse	Brush shaft	Brush shaft	EJE DE ESCOBILLA 604
35	BAL.1105461	D3	1	Sleufpin 5x5x15	Clavette 5x5x15	Key 5x5x15	Key 5x5x15	LLAVE 5X5X15
36	BAL.2130003	E4	2	Afstandsbus borstelas	Entretoise arbre de brosse	Spacer brush'shaft	Spacer brush'shaft	SEPARADOR DE EJE DE ESCOBILLA
37	BAL.1105482	E4	2	Schroef M6x5	Ergot M6x5	Dowel M6x5	Dowel M6x5	ESPIGA M6X5
38	BAL.2260028	E5	2	Lager houder ø80	Support roulement ø80	Bearing support ø80	Bearing support ø80	SOPORTE DE COJINETE DIÁM 80
39	ER.6202 2RS	E4	2	Lager 6202 2RS	Roulement 6202 2RS	Bearing 6202 2RS	Bearing 6202 2RS	COJINETE 6202-2RS
40	BAL.1105405	D2	3	Sluitveer ext. ø15	Bague d'arrêt externe ø15	Outer snap ring ø15	Outer snap ring ø15	ANILLO DE RETENCIÓN EXTERIOR DIÁM 15
41	BAL.1105420	E5	4	Sluitveer ext. ø12	Bague d'arrêt externe ø12	Outer snap ring ø12	Outer snap ring ø12	ANILLO DE RETENCIÓN EXTERIOR DIÁM. 12
42	BAL.2230029	E5	4	Regelschroef	Goujon réglage de brosse	Brush adjusting fixing pivot	Brush adjusting fixing pivot	PIVOTE DE FIJACIÓN DE AJUSTE DE ESCOBILLA
43	BAL.2190005	E5	1	Beugel instelling centr. Borstel	Etrier réglage brosse centr.	Adjustment bracket	Adjustment bracket	PALANCA
44	BAL.2105001	C1	2	Rondsel in vilt	Rondelle feutre/bras latéral	Side arm's felt washer	Side arm's felt washer	ARANDELA DE FIELTRO DE BRAZO LATERAL
45	BAL.1390013	D2	2	Lager HK 1012	Roulement HK 1012	Bearing HK 1012	Bearing HK 1012	COJINETE HK 1012
46	BAL.1105230	D2	3	Schroef M8x10	Vis M8x10	Screw M8x10	Screw M8x10	TORNILLO TBCE M8X10
47	BAL.2130011	C1	1	Afstandsbus zijborstel	Entretoise arbre/brosse latérale	Side brush shaft'spacer	Side brush shaft'spacer	SEPARADOR DE EJE DE ESCOBILLA LATERAL
48	BAL.1105220	B2	1	Moer M8	Ecrou M8	Nut M8	Nut M8	TUERCA M8
49	BAL.2250019	D2	1	Riemschijf	Poulie	Pulley	Pulley	POLEA
50	BAL.1340008	F5	1	Motor met reductie diam.77	Motoreducteur diam.77	Gearmotor diam.77	Gearmotor diam.77	MOTOR DE ESCOBILLA CENTRAL M604E
51	BAL.1105325	F1	1	Rondsel 6x24	Rondelle 6x24	Washer 6x24	Washer 6x24	ARANDELA 6X24X2
52	BAL.2125017D	B3	1	Beschermkous zijborstel	Gaine brosse latérale	Side brush sheathing	Side brush sheathing	REVESTIMIENTO DE ESCOBILLA LATERAL
53	BAL.2125018E	B2	1	Kabel zijborstel	Cable lève-brosse latérale	Side brush lifting cable	Side brush lifting cable	CABLE DE ELEVACIÓN DE ESCOBILLA LATERAL 604
54	BAL.2230002	B2	1	Pin 17x34	Goujon 17x34	Pin 17x34	Pin 17x34	PASADOR 17 X 34
55	BAL.1125004	B2	1	Klem diam.7	Étau diam.7	Clamp diam.7	Clamp diam.7	ABRAZADERA DIÁM. 7
56	BAL.1105231	B1	1	Schroef M8x22	Vis M8x22	Screw M8x22	Screw M8x22	TORNILLO M8 X 22
57	BAL.2190004	B2	1	Hevel zijborstel	Levier soulèvement brosse latérale	Side brush lifting lever	Side brush lifting lever	PALANCA DE ELEVACIÓN DE ESCOBILLA LATERAL
58	BAL.1105327	B1	1	Rondsel 8x32	Rondelle 8x32	Washer 8x32	Washer 8x32	ARANDELA 8 X 32
59	BAL.2100012	B1	1	Ring voor lager zijborstel	Bague palier brosse latérale	Ring for side brush bearing	Ring for side brush bearing	ANILLO PARA COJINETE DE ESCOBILLA LATERAL

60	BAL.1260029	B1	6	Kogels 11/32"	Billes 11/32"	Balls 11/32"	Balls 11/32"	BOLAS 11/32"
61	BAL.2100019N	B1	1	Getande ring	Anneau dentée	Side brush mov. toothed ring	Side brush mov. toothed ring	ANILLO DENTADO DE ESCOBILLA LATERAL
62	BAL.2100019	F4	1	Regelpin voor centrale borstel	Goujon de réglage brosse centr.	Adjustment pivot	Adjustment pivot	PIVOTE DE AJUSTE
63	BAL.2110012N	C1	1	Bus voor lager	Douille porte-paliers	Bushing for bearings	Bushing for bearings	CASQUILLO PARA COJINETES
64	ER.6005 2RS	C1	2	Lager 6005 2RS	Roulement 6005 2RS	Bearing 6005 2RS	Bearing 6005 2RS	COJINETE 6005-2RS
65	BAL.2100020	C1	1	Getande kroon	Bague dentée folle	Idle thooted ring	Idle thooted ring	CORONA DENTADA LIBRE
66	BAL.1105416	D1	1	Sluitring ext. Ø25	Bague d'arrêt externe ø25	Outer snap ring ø25	Outer snap ring ø25	ANILLO DE RETENCIÓN EXTERIOR DIÁM 25
67	BAL.2120448	A5	1	Deksel traktiehendel	Carter poignée de traction	Traction handle casing	Traction handle casing	CARCASA DEL MANGO DE TRACCIÓN
68	BAL.2110042	D2	2	Afstandsbus	Entretoise	Spacer	Spacer	SEPARADOR
69	BAL.2250079	D2	1	Riemschijf ø27x15	Poulie ø27x15	Pulley ø27x15	Pulley ø27x15	POLEA DIÁM 27 X 15
70	BAL.2330102	D2	1	Riem ø8x1000	Courroie ø8 x 1000	Belt ø8x1000	Belt ø8x1000	CORREA DE ESCOBILLA LATERAL M604
71	BAL.1105326	D2	2	Rondsel 8x24	Rondelle 8x24	Washer 8x24	Washer 8x24	ARANDELA 8 X 24
72	BAL.2260024	D2	1	Houder centrale borstel	Support brosse latérale	Side brush support	Side brush support	SOPORTE DE ESCOBILLA LATERAL
73	BAL.2250034	E1	1	Borstelflens zijborstel	Etrier entraînement brosse latérale	Side brush dragging flange	Side brush dragging flange	BRIDA DE ARRASTRE DE ESCOBILLA LATERAL
74	BAL.2350020	E1	1	Zijborstel	Brosse latérale	Side brush	Side brush	ESCOBILLA LATERAL
75	BAL.2250080	D2	1	Riemschijf ø30x15	Poulie ø30x15	Pulley ø30x15	Pulley ø30x15	POLEA DIÁM 30 X 15
76	BAL.1105160	E1	3	Schroef M6x10	Vis M6x10	Screw M6x10	Screw M6x10	TORNILLO M6 X 10
77	BAL.2130005	E3	4	Afstandsbus	Entretoise	Spacer	Spacer	SEPARADOR
78	BAL.1390015	C1	1	Lager HK 1412	Roulement HK 1412	Bearing HK 1412	Bearing HK 1412	COJINETE HK 1412
79	BAL.2130012	E3	1	Bus h=16	Entretoise h=16	Spacer h=16	Spacer h=16	CASQUILLO
80	BAL.1105136	F3	1	Zelfborgende moer M12	Ecrou bloquant M12	Block nut M12	Block nut M12	TUERCO
81	BAL.2110405	A4	1	Bus	Douille	Bushing	Bushing	CASQUILLO PARA COJINETES

POS.	REF.	Mach.	N.O.	Samengestelde onderdelen	Pièces composées	Assembly's	Assembly's	Despieces compuestos
A	BAL.2125100	4+E		Komplete borstelhevel	Levier leve-brosse complete	Complete brush-lifting lever	Complete brush-lifting lever	ESCOBILLA COMPLETA-PALANCA DE ELEVACIÓN
B	BAL.2315003	44+47+56 +58+59+60 +61+78		Komplete overbrenging zijborstel	Bague de mouvement complete	Complete movement ring	Complete movement ring	ANILLO DE MOVIMIENTO COMPLETO
C	BAL.2315008	63+64+65 +66		Getande ring compleet	Bague dentée vide complete	Complete idle tooth ring	Complete idle tooth ring	CORONA DENTADA LIBRE COMPLETA
D	BAL.2310127	73+74+76		Zijborstel compleet PPL70	Brosse laterale complete PPL70	Complete side brush PPL70	Complete side brush PPL70	ESCOBILLA LATERAL PPL70 COMPLETO
E	BAL.2310262	1+52+ 53		Kabel zijborstel compleet	Gaine brosse laterale+cable	Side brush sheathing+cable	Side brush sheathing+cable	REVESTIMIENTO DE ESCOBILLA LATERAL + CABLE M604
F	BAL.1380005			Koolborstels voor elektromotor	Charbons pour mot. Électrique	Carbon brush for electr. Motor	Carbon brush for electr. Motor	ESCOBILLA DE CARBÓN
G	BAL.2310112	38+39		Houder diam.80 met lagers	Support compl.+roulements	Complete bearing support diam.80	Complete bearing support diam.80	SOPORTE DE COJINETE DIÁM 80 COMPLETO
H	BAL.2310291	45+75		Riemschijf ø27x15 compleet	Poulie ø27x15 complete	Complete pulley ø27x15	Complete pulley ø27x15	POLEA COMPLETA DIÁM 27 X 15
I	BAL.2310292	45+69		Riemschijf ø30x15 compleet	Poulie ø30x15 complete	Complete pulley ø30x15	Complete pulley ø30x15	POLEA COMPLETA DIÁM 30 X 15

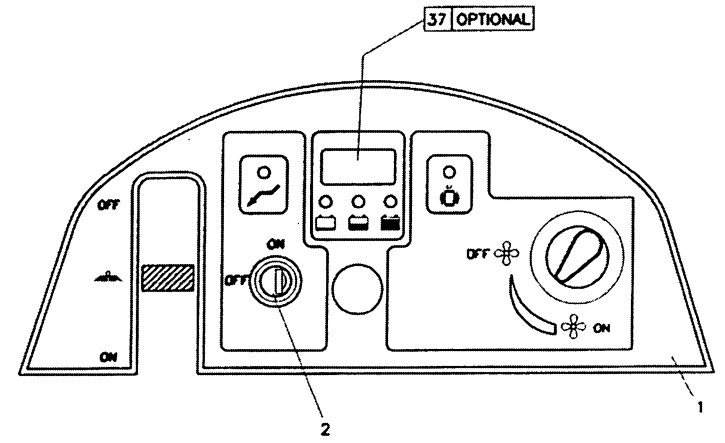
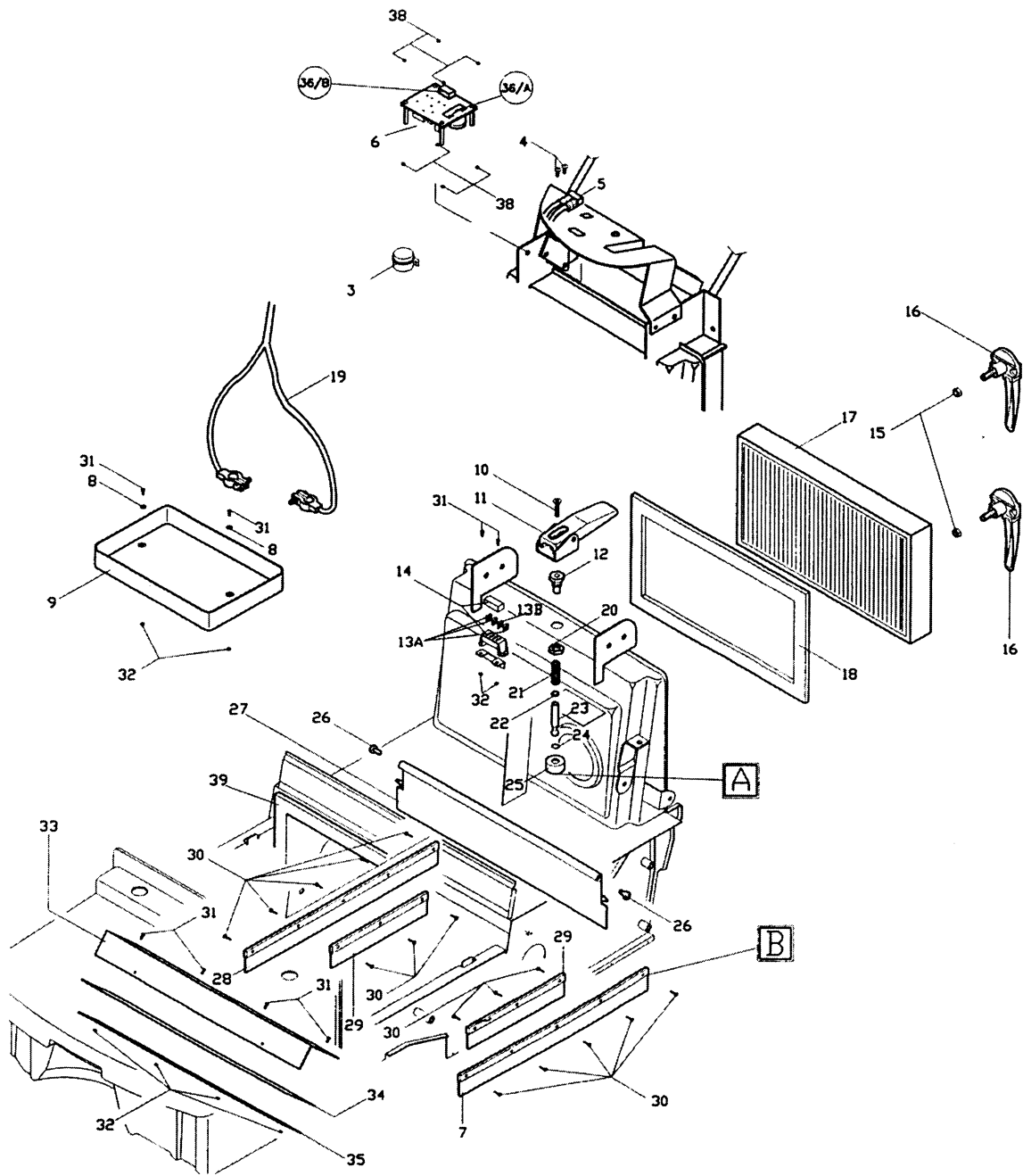


POS.	REF.	Mach.	N.O.	Omschrijving	Description	Description	Description	Description
1	BAL.2120157	C1	2	Wieldeksel	Couvre roueø200	Wheel cover ø200	Wheel cover ø200	CUBIERTA DE RUEDA DIÁM 200
2	BAL.1105234	C1	3	Schroef M6x10	Vis M6x10	Screw M6x10	Screw M6x10	TORNILLO M6 X 10
3	BAL.1105325	C1	3	Rondsel 6x24	Rondelle 6x24	Washer 6x24	Washer 6x24	ARANDELA 6X24X2
4	BAL.1105418	C1	4	Sluitveer ext.ø28	Bague d'arrêt ext. Ø28	Outer snap ring ø28	Outer snap ring ø28	ANILLO DE RETENCIÓN EXTERIOR DIÁM 28
5	BAL.1390016	C1	2	Lager HFL 1426	Roulement HFL 1426	Bearing HFL 1426	Bearing HFL 1426	COJINETE HFL 1426
6	BAL.2110033	C1	2	Bus	Douille exagonale	Exagonal bushing	Exagonal bushing	CASQUILLO HEXAGONAL
7	BAL.1390015	C1	2	Lager HK 1412	Roulement HK 1412	HK 1412 roller bearing	HK 1412 roller bearing	COJINETE HK 1412
8	BAL.2250071	D1	2	Wiel ø250x55, zwart	Roue ø250x55, noir	Wheel ø250x55, black	Wheel ø250x55, black	RUEDA DIÁM 250 X 55 NEGRO
9	BAL.1105222	D2	4	Schroef M6x16	Vis M6x16	Screw M6x16	Screw M6x16	TORNILLO M6 X 16
10	BAL.1390017	D2	2	Houder SBPFL 203	Support SBPFL 203	Support SBPFL 203	Support SBPFL 203	SOPORTE SBPFL 203
11	BAL.1105303	D2	4	Rondsel 6x12	Rondelle 6x12	Washer 6x12	Washer 6x12	ARANDELA 6X12
12	BAL.1105133	D2	12	Zelfborgende moer M6	Ecrou autobloquant M6	Lock nut M6	Lock nut M6	TUERCA DE RETENCIÓN M6
13	BAL.1105464	D2	1	Sleufpin 5x5x25	Clavette 5x5x25	Key 5x5x25	Key 5x5x25	LLAVE 5X5X25
14	BAL.2100006	D2	1	Wiel as	Arbre traction	Drive shaft	Drive shaft	EJE DE LA TRANSMISIÓN
15	ER.RIEM-Z303/4	D4	1	Riem Z30 3/4	Courroie Z30 3/4	Belt Z30 3/4	Belt Z30 3/4	COREA Z30 3/4
16	BAL.2250029	E4	1	Riemschijf diam.140	Poulie diam.140	Pulley diam.140	Pulley diam.140	POLEA DIÁM. 140
17	BAL.1105481	C4	3	Schroefje M6x10	Ergot M6x10	Dowel M6x10	Dowel M6x10	ESPIGA M6 X 10
18	BAL.1105001	D4	1	Schroef TE M4x12	Vis TE M4x12	Screw M4x12	Screw M4x12	TORNILLO TE M4X12
19	BAL.1105323	D4	3	Rondsel 5x20	Rondelle 5x20	Washer 5x20	Washer 5x20	ARANDELA 5X20
20	BAL.2250030	D4	1	Riemschijf diam.55	Poulie diam.55	Pulley diam.55	Pulley diam.55	POLEA
21	BAL.1105235	D4	3	Schroef M6x20	Vis M6x20	Screw M6x20	Screw M6x20	TORNILLO M6X20
22	ER.6000 2RS	D4	1	Lager 6000 2RS	Roulement 6000 2RS	Bearing 6000 2RS	Bearing 6000 2RS	COJONETA 6000-2RS
23	BAL.2260032	D4	1	Lager houder	Support roulement	Bearing support	Bearing support	SOPORTO COJINETA
24	BAL.2230005	D4	1	Pinnetje	Goujon soutien courroie	Belt support pin	Belt support pin	SOPORTO COREA
25	BAL.2260026	D4	1	Motor houder	Support moteur	Motor support	Motor support	SOPORTO MOTOR
26	BAL.1290002	C4	1	Schroef diam.200	Ventilateur diam.200	Fan diam.200	Fan diam.200	VENTILADOR DIAM.200
27	BAL.1105022	C4	2	Schroef M5x10	Vis M5x10	Screw M5x10	Screw M5x10	TORNILLO M5X10
28	BAL.1105463	D3	1	Sleufpin 3x3,7	Clavette 3x3,7	Key 3x3,7	Key 3x3,7	LLAVE 3X3,7
29	BAL.1340008	C3	1	Tractiemotor+reductie diam.77	Motoreducteur diam.77	Drive gearmotor diam.77	Drive gearmotor diam.77	MOTOR DE ESCOBILLA CENTRAL M604E

30	BAL.1340002	D3	1	Motor diam.77	Moteur diam.77	Motor diam.77	Motor diam.77	MOTOR DE SUCCIÓN M604E
31	BAL.1105162	C3	4	Schroef M6x16	Vis M6x16	Screw M6x16	Screw M6x16	TORNILLO M6X16
32	BAL.1105324	D3	4	Rondsel 6x18	Rondelle 6x18	Washer M6x18	Washer M6x18	ARANDELA 6 X 18
33	BAL.2230404	D4	1	Pinnetje	Pivot	Pivot	Pivot	PIVOTE
34	BAL.2260401	C3	1	Beschermrooster voor schroef	Grille de protection	Fan protection grid	Fan protection grid	REJILLA DE PROTECCIÓN DE VENTILADOR
35	BAL.1105160	D5	1	Schroef M6x10	Vis M6x10	Screw M6x10	Screw M6x10	TORNILLO M6 X 10
36	BAL.2120412	D5	1	Luchtgeleider	Convoyeur d'air	Air conveyor	Air conveyor	CONDUCTO DE AIRE
37	BAL.1250059	C2	1	Tandwiel reductiekast	Pignons reducteur	Crown wheel reduction gear	Crown wheel reduction gear	ENGRANAJE DE REDUCCIÓN

M604E

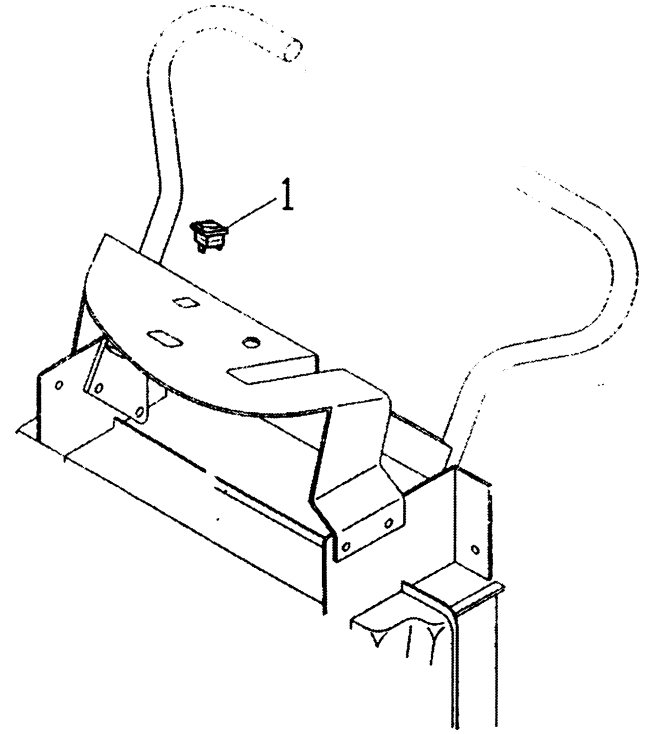
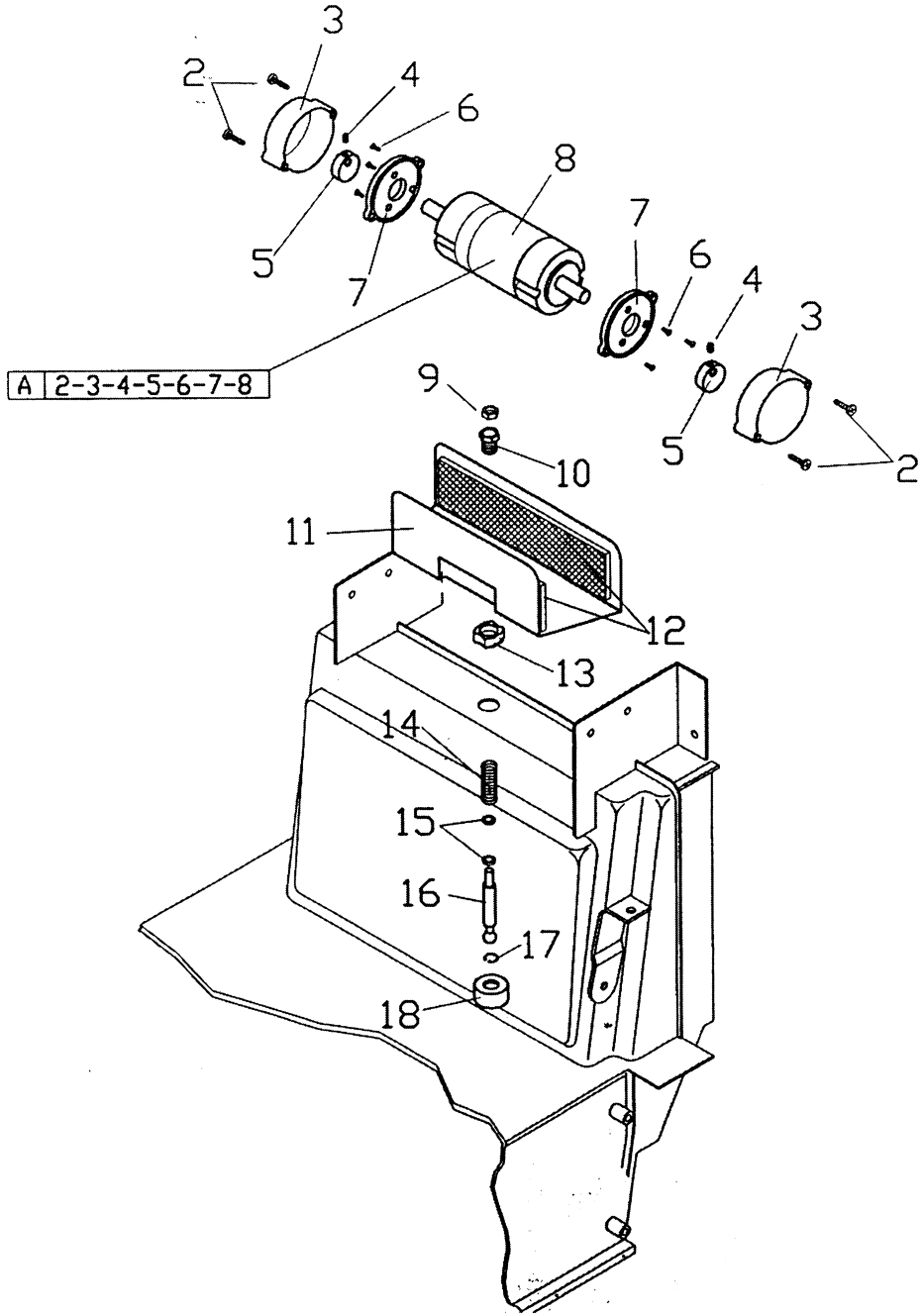
POS.	REF.	Mach.	N.O.	Samengestelde onderdelen	Pièces composées	Assembly's	Assembly's	Despieces compuestos
A	BAL.2310402	4+5+6+7+8		Wiel compleet rechts	Roue complet droite	Right wheel complete	Right wheel complete	RUEDA DERECHA COMPLETA
B	BAL.2310401	4+5+6+7+8		Wiel compleet links	Roue complet gauche	Left wheel complete	Left wheel complete	RUEDA IZQUIERDA COMPLETA
C	BAL.2310117	22+23		Lagerhouder compleet	Support roulement complet	Complete bearing support	Complete bearing support	SOPORTO COJONETA COMPLETA
D	BAL.1380005			Koolborstels elektrische motor	Charbons moteur électrique	Carbon brushes electrical motor	Carbon brushes electrical motor	ESCOBILLA DE CARBÓN



POS.	REF.	Mach.		Omschrijving	Description	Description	Description	Descripción
1	BAL.6911400	B3	1	Etiket bedieningsbord	Etiquette tableau de bord	Dashboard's plate	Dashboard's plate	PLACA DEL CUADRO DE INSTRUMENTOS
2	BAL.13801001	C4	1	Sleutelschakelaar	Interrupteur à clé	Key switch	Key switch	LLAVE DE CONTACTO
3	BAL.1380009	B3	1	Dubbelpolige schakelaar	Interrupteur bipolaire	Bipolar switch	Bipolar switch	INTERRUPTOR BIPOLAR
4	BAL.1105363	C3	2	Zelftappende schroef 5x20	Vis autofil. 5x20	Selftapping screw 5x20	Selftapping screw 5x20	TORNILLO AUTORROSCANTE 5X20
5	BAL.1380008	C3	1	Laadstekker	Connecteur de charge bat.	Battery charge connector	Battery charge connector	CONECTOR DE LA BATERÍA
6	BAL.2180009	C3	1	Electronische kaart	Carte électronique	Electronic chopper card	Electronic chopper card	TARJETA DE CONTROL ELECTRÓNICO 12V
7	BAL.2160060	F3	1	Zijflap links	Flap latéral gauche	Left side flap	Left side flap	ALETA LATERAL IZQUIERDA
8	BAL.1105302	D1	2	Rondsel 5x10	Rondelle 5x10	Washer 5x10	Washer 5x10	ARANDELA 5X10
9	BAL.2120125	D1	1	Batterijbakje	Bac à batterie	Battery container	Battery container	CONTENEDOR DE LA BATERÍA
10	BAL.1105504	D3	1	Schroef M6x25	Vis M6x25	Screw M6x25	Screw M6x25	TORNILLO M6 X 25
11	BAL.2310105	D3	1	Sluiting compleet	Levier complet secoueur de filtre	Complete filter shaker's lever	Complete filter shaker's lever	PALANCA DE AGITADOR DE FILTRO
12	BAL.2165005	D3	1	Doorvoer	Siège secouement filtre	Filter shaker's rail	Filter shaker's rail	RAIL DE AGITADOR DE FILTRO
13A	BAL.1380023	D3	1	Zekering 30A	Fusible 30A	Fuse 30A	Fuse 30A	FUSIBLE 30A
13B	BAL.1380017	D3	3	Zekering 20A	Fusible 20A	Fuse 20 A	Fuse 20 A	FUSIBLE 20A
14	BAL.1380004	D3	1	Zekeringhouder	Boîte porte fusibles	Fuse box	Fuse box	CAJA DE FUSIBLES
15	BAL.1105124	C5	2	Moer M8	Ecrou M8	Nut M8	Nut M8	TUERCA M8
16	BAL.2310410	D5	2	Filter hendel	Poignée filtre	Unlocking filtre handle	Unlocking filtre handle	MANGO DE DESBLOQUEO DE FILTRO
17	BAL.2360008	D4	1	Filter, papier	Filtre en papier	Filter in paper	Filter in paper	FILTRO PAPEL M604
17	BAL.2360010	D4	1	Filter, polyester	Filtre en polyester	Filter in polyester	Filter in polyester	FILTRO POLYESTER M604
18	BAL.2160052	D4	1	Set dichtingen voor filter	Kit de joints pour filtre	Filter gaskets kit	Filter gaskets kit	KIT DE JUNTAS DE FILTRO
19	BAL.1180037	C2	1	Bekabeling	Cablage	Wiring	Wiring	CABLEADO
20	BAL.1105221	D3	1	Moer M18	Ecrou M18	Nut M18	Nut M18	TUERCA M18
21	BAL.2205006	D3	1	Veer	Ressort	Spring	Spring	MUELLE

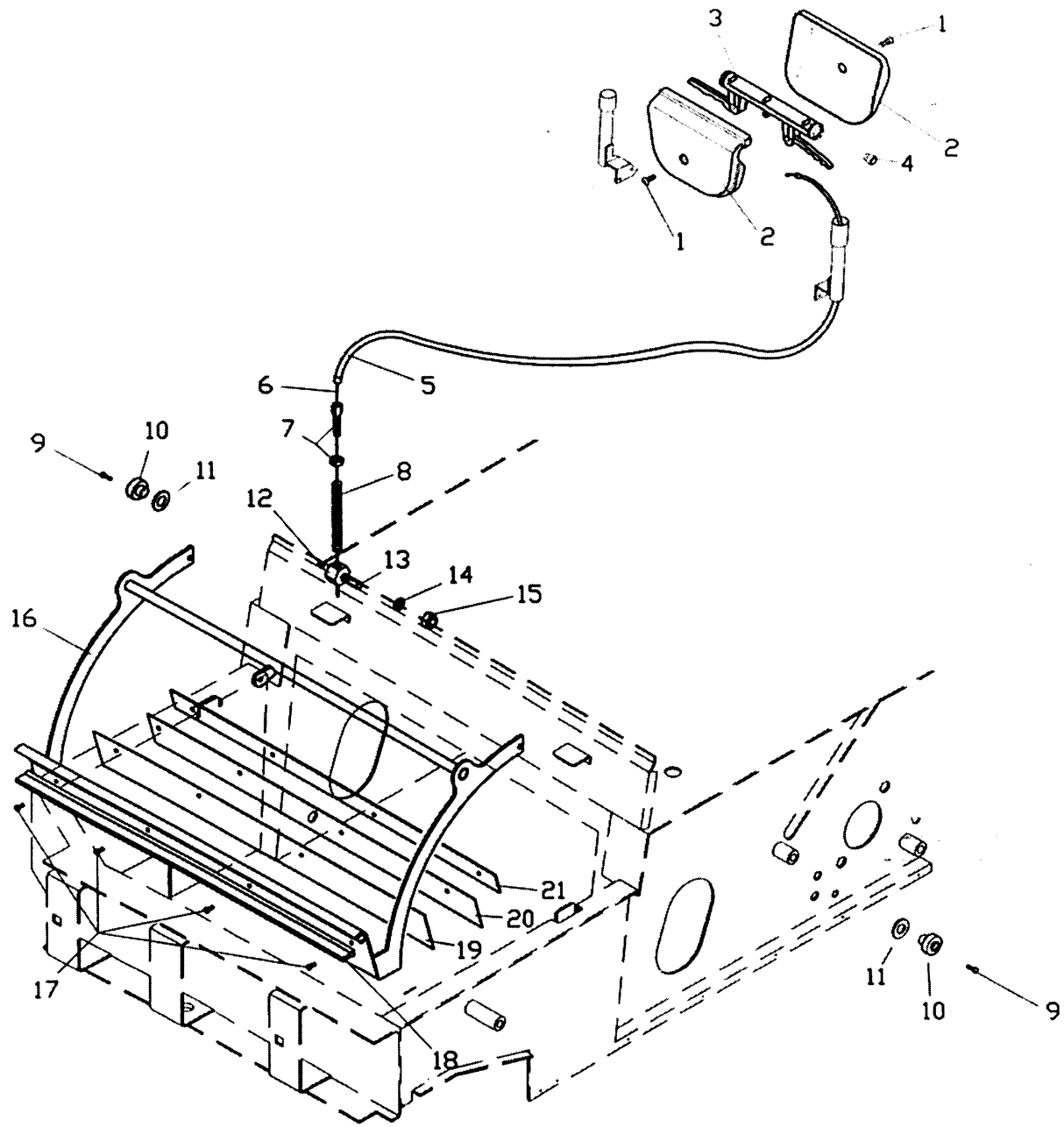
22	BAL.1160049	E3	1	O-ring OR106	Joint torique OR106	O-ring OR106	O-ring OR106	JUNTA TÓRICA OR106
23	BAL.2230018	E3	1	Pin	Goujon	Pin	Pin	PASADOR
24	BAL.1105702	E3	1	Sluistring ø16	Bague d'arrêt ø16	Inner snap ring ø16	Inner snap ring ø16	ANILLO DE RETENCIÓN INT. DIÁM. 16
25	BAL.2205007	E3	1	Ring	Barre articulée	Articulated bar	Articulated bar	BARRA ARTICULADA
26	BAL.1105232	E2	2	Schroef M10x16	Vis M10x16	Screw M10x16	Screw M10x16	TORNILLO M10 X 16
27	BAL.2160035	E3	1	Achterflap	Flap arrière	Rear flap	Rear flap	ALETA TRASERA
28	BAL.2160036	F2	1	Rechter zijflap	Flap latéral droite	Right side flap	Right side flap	ALETA LATERAL DERECHA
29	BAL.2160055	F3	2	Binnen flap	Flap interne	Inner flap	Inner flap	ALETA INTERIOR
30	BAL.1105356	F3	16	Schroef 3,5x9,5	Vis 3,5x9,5	Screw 3,5x9,5	Screw 3,5x9,5	TORNILLO 3,5 X 9,5
31	BAL.1105002	F2	4	Schroef M4x16	Vis M4x16	Screw M4x16	Screw M4x16	TORNILLO M4 X 16
32	BAL.1105121	F1	4	Moer M4	Ecrou M4	Nut M4	Nut M4	TUERCA M4
33	BAL.2150028	F2	1	Flapbevestiging	Fixation flap	Flap fixer	Flap fixer	FIJADOR DE ALETA
34	BAL.2160406	F2	1	Rubber	Caoutchouc	Rubber	Rubber	GOMA
35	BAL.2160407	F2	1	Flap	Flap	Flap	Flap	ALETA
36/A	BAL.1380038	B2	1	Zekering 50A	Fusible 50A	Fuse 50A	Fuse 50A	FUSIBLE 50A
36/B	BAL.1380037	B2	1	Zekering 1,6A	Fusible 1,6A	Fuse 1,6A	Fuse 1,6A	FUSIBLE 1,6A
37	BAL.13801000	A3	1	Uurteller	Compteur horaire	Hour meter	Hour meter	MEDIDOR DE HORAS
38	BAL.1105121	C3	8	Moer M4	Ecrou M4	Nut M4	Nut M4	TUERCA M4
39	BAL.2160033	E2	1	Kit dichtingen opvangbak	Serie de joints bac à déchets	Kit gaskets front hopper	Kit gaskets front hopper	ETIQUETA ADHESIVA

POS.	REF.	Mach.	N.O.	Samengestelde onderdelen	Pièces composées	Assembly's	Assembly's	Assembly's
A	BAL.2310106	12+20+21 +22+23+2 4+25		Komplete manuele filterschudder	Barre articulée complete	Complete filtershaker jointed rod	Complete filtershaker jointed rod	BARRA PLEGABLE DE AGITADOR DE FILTRO COMPLETA
B	BAL.2310095	7+28+ 29		Kit flaps	Kit de flaps pour chassis	Frame's flap kit	Frame's flap kit	KIT DE ALETA DE BASTIDOR

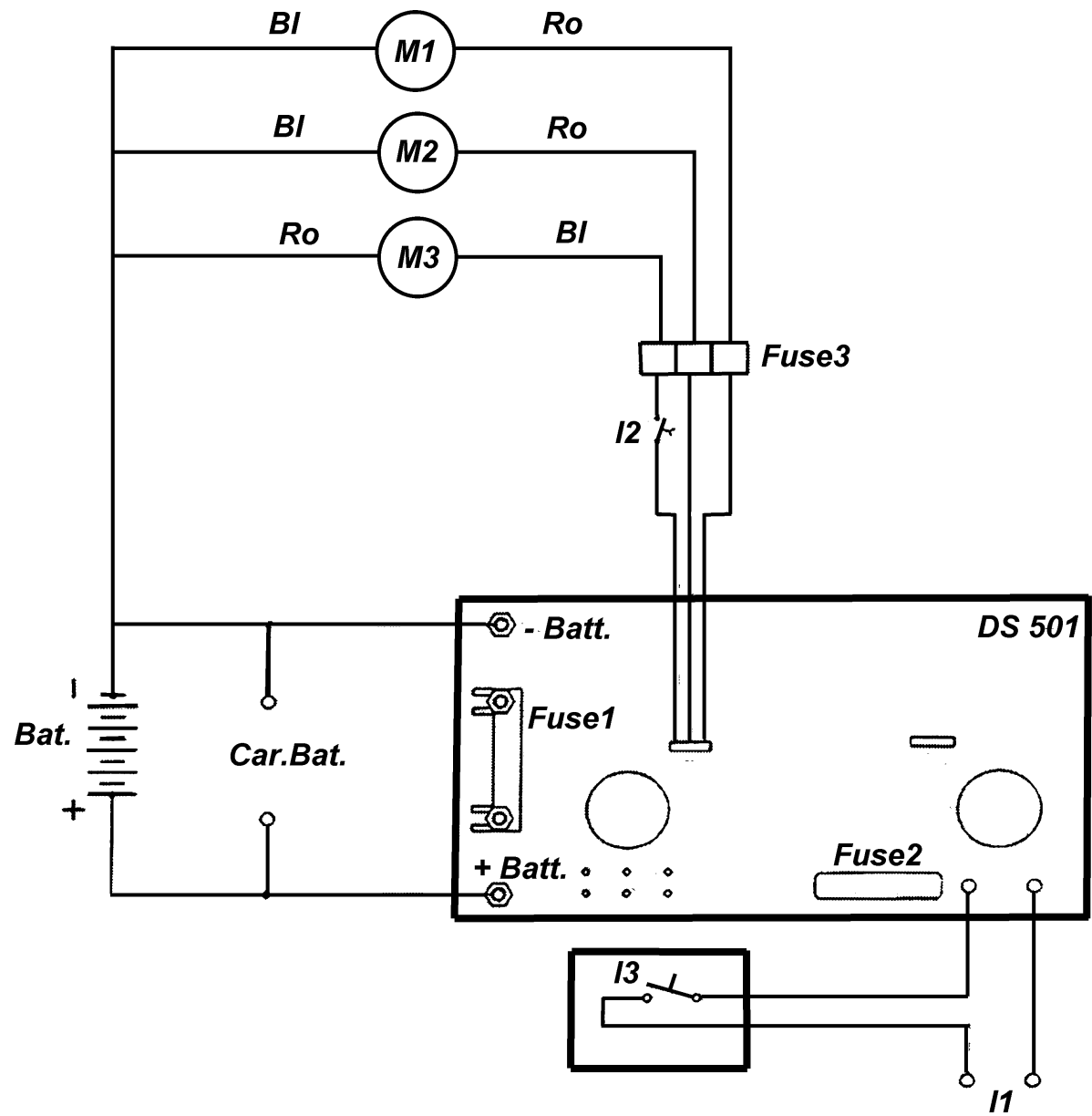


POS.	REF.	Mach.	N.O.	Omschrijving	Description	Description	Description	Descripción
1	BAL.1380073	A3	1	Drukknop	Poussoir	Switch	Switch	INTERRUPTOR DOBLE
2	BAL.1105365	B2	4	Zelftappende schroef 3,9x32	Vis 3,9x32	Screw 3,9x32	Screw 3,9x32	TORNILLO 3,9 X 32
3	BAL.2120288	B2	2	Deksel schudmotor	Couvercle de protection	Protection cover	Protection cover	CUBIERTA PROTECTORA
4	BAL.1105482	B2	2	Schroefje M6x5	Ergot M6x5	Dowel M6x5	Dowel M6x5	ESPIGA M6X5
5	BAL.2110045	B2	2	Contra-gewicht	Douille	Bushing	Bushing	CASQUILLO
6	BAL.1105781	B2	6	Schroef TSCE M4x12	Vis M4x12	Screw M4x12	Screw M4x12	TORNILLO M4 X 12
7	BAL.2150031	B2	2	Motor flens	Bride moteur	Motor flange	Motor flange	BRIDA DE MOTOR
8	BAL.1340019	C3	1	Schud motor 12V - 35W	Moteur secoueur 12V - 35W	Motor 12V - 35W	Motor 12V - 35W	MOTOR 12 V 35 W
9	BAL.1105129	C3	1	Moer M10	Ecrou M10	Nut M10	Nut M10	TUERCA M10
10	BAL.2370003	C3	1	Schokdemper	Anti vibrations	Shock absorber	Shock absorber	AMORTIGUADOR DE IMPACTOS
11	BAL.2260063	C3	1	Motor houder	Support moteur	Support	Support	SOPORTE
12	BAL.2160041	C3	2	Dichting	Joint	Gasket	Gasket	JUNTA
13	BAL.1165008	D3	1	Zelfborgende moer M25x1,5	Frette M25x1,5	Nut ring M25x1,5	Nut ring M25x1,5	TUERCA ANULAR M25 X 1,5
14	BAL.2205017	D3	1	Veer	Ressort	Spring	Spring	MUELLE
15	BAL.1160046	D3	2	O-ring 8x1	Joint torique 8x1	O-ring 8x1	O-ring 8x1	JUNTA TÓRICA 8 X 1
16	BAL.2230017	E3	1	Pin	Goujon	Pin	Pin	PASADOR
17	BAL.1105702	E3	1	Sluit ring int. Ø16	Bague d'arrêt interne ø16	Inner snap ring	Inner snap ring	ANILLO DE RETENCIÓN INT. DIÁM. 16
18	BAL.2205007	E3	1	Ring	Barre articulée	Articulated bar	Articulated bar	BARRA ARTICULADA

POS.	REF.	Mach.	N.O.	Samengestelde onderdelen	Pièces composées	Assembly's	Assembly's	Despieces compuestos
A	BAL.2300400	2+3+4+5+6+7+8		Schudmotor compleet	Moteur secoueur complet	Filter shaker motor complete	Filter shaker motor complete	MOTOR DE AGITADOR DE FILTRO COMPLETO



POS.	REF.	Mach.	N.O.	Omschrijving	Description	Description	Description	Descripción
1	BAL.1105234	B4	2	Schroef M6x10	Vis M6x10	Screw M6x10	Screw M6x10	TORNILLO M6 X 10
2	BAL.2120448	B4	1	Deksel handvat	Carter poignée de traction	Traction handle casing	Traction handle casing	CARCASA DEL MANGO DE TRACCIÓN
3	BAL.2310489	B4	1	Komplete hendel	Poignée complet	Complete handle	Complete handle	MANGO COMPLETO
4	BAL.2110405	B4	1	Bus	Douille	Bushing	Bushing	CASQUILLO PARA COJINETES
5	BAL.2125403	C2	1	Beschermkous	Gaine	Sheathing	Sheathing	REVESTIMIENTO
6	BAL.2125404	C2	1	Flaplabel	Cable flap	Cable	Cable	CABLE
7	BAL.1105229	C2	1	Regelschroef	Vis d'ajustement	Adjustment screw	Adjustment screw	AJUSTADOR DOBLADO
8	BAL.2205400	C2	1	Veer	Ressort	Spring	Spring	MUELLE
9	BAL.1105231	C1	2	Schroef TBCE M5x22	Vis M8x22	Screw M8x22	Screw M8x22	TORNILLO M8 X 22
10	BAL.2110400	C1	2	Bus	Douille	Bushing	Bushing	CASQUILLO
11	BAL.1105326	C1	2	Rondsel 8x24	Rondelle 8x24	Washer 8x24	Washer 8x24	ARANDELA 8 X 24
12	BAL.1105023	D2	1	Schroef TEFR M5x12	Vis M5x12	Screw M5x12	Screw M5x12	TORNILLO M5 X12
13	BAL.2290004	D2	1	Schroef CH 17h28	Vis fixation cable	Wire fixing screw	Wire fixing screw	TORNILLO DE FIJACIÓN DE CABLE
14	BAL.1105304	D2	1	Rondsel 8x17	Rondelle 8x17	Washer 8x17	Washer 8x17	ARANDELA 8X17
15	BAL.1105134	D2	1	Zelfborgende moer M8	Ecrou autobloquant M8	Block nut M8	Block nut M8	TUERCA DE RETENCIÓN M8
16	BAL.2110058	D1	1	Wieg	Culbuteur	Flap rise rocker	Flap rise rocker	BASCULADOR DE ELEVACIÓN DE ALETA
17	BAL.1105792	E1	5	Zelftappende schroef 3,9x9x5	Vis 3,9x9,5	Screw 3,9x9,5	Screw 3,9x9,5	TORNILLO 3,9 X 9,5
18	BAL.2160047	E2	1	Rubber strip	Lamelle en caoutchouc	Rubber strip	Rubber strip	TIRA DE CAUCHO
19	BAL.2160401	E2	1	Rubber	Caoutchouc	Rubber	Rubber	GOMA
20	BAL.2160400	E3	1	Flap	Flap	Flap	Flap	ALETA
21	BAL.2150401	E3	1	Flap bevestiging	Fixation flap	Flap fixer	Flap fixer	FIJADOR DE ALETA



M1	Motor centrale borstel	Moteur brosse centrale	Central brush motor	Central brush motor	Motor cepillo central
M2	Tractiemotor	Moteur de traction	Traction motor	Traction motor	Motor tracción
M3	Zuigmotor	Moteur d'aspiration	Suction motor	Suction motor	Motor aspiración
Fuse1	Zekering 50A	Fusible 50A	Fuse 50A	Fuse 50A	Fusible50A
Fuse2	Zekering 1A	Fusible 1A	Fuse 1A	Fuse 1A	Fusible1A
Fuse3	Zekering 30A	Fusible 30A	Fuse 30A	Fuse 30A	Fusible30A
I1	Sleutelschakelaar	Interrupteur à clé	Key switch	Key switch	Interruptor de llave
I2	Schakelaar zuigmotor	Interrupteur aspiration	Suction switch	Suction switch	Interruptor aspiración
I3	Veiligheidsschakelaar oplading	Interrupteur de sécurité charge batt.	Safety switch recharge	Safety switch recharge	Interruptor seguridad carga
Car.Bat.	Connector batterijlading	Connecteur charge batt.	Battery recharge socket	Battery recharge socket	Conector batería