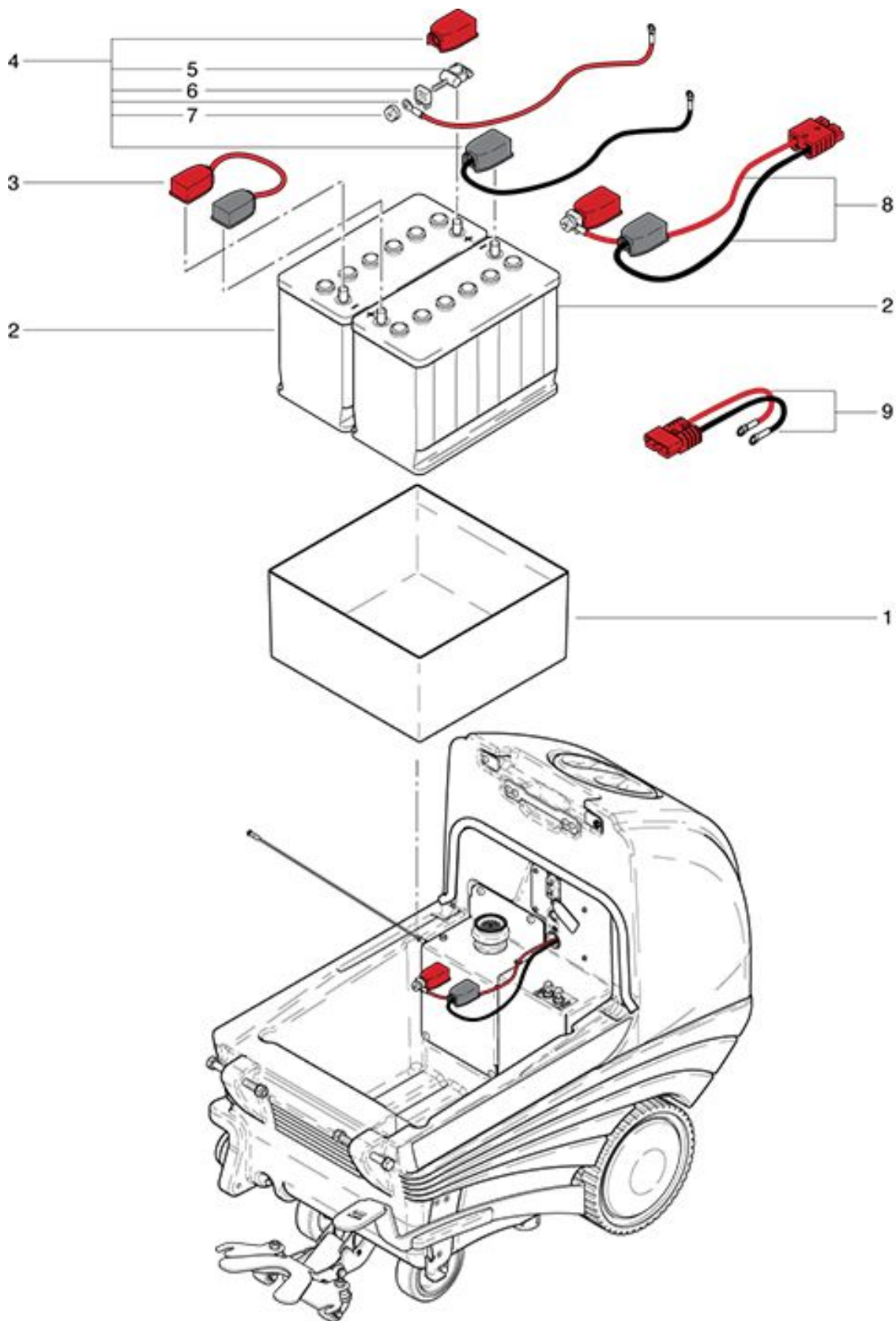


RA 505 IBCT Batterie

As at: 02/16/16 Time:11:18



RA 505 IBCT

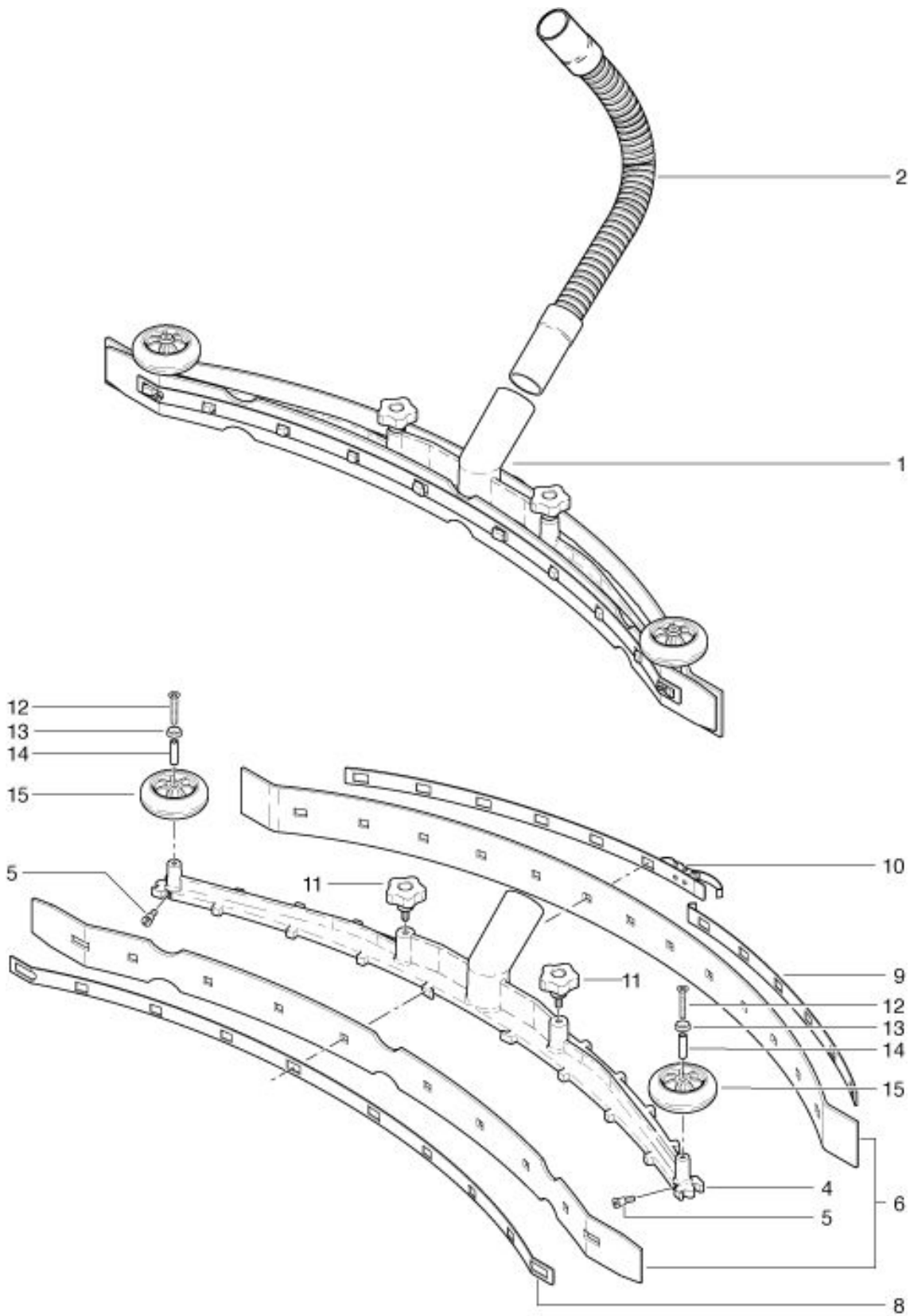
Batterie

As at: 02/16/16 Time:11:18

Pos.	Description	Reference
01	Drain tray	565.494
02	Set of Gel batteries 2x12V/105AH	530.091
03	Batterie connecting cable 10 mm ² , L=200 mm up to machine no. 9137-006	436.985
04	Battery cable tree of compl. inclusive pos. 5,6+7 up to machine no. 9137-006	565.258
05	Battery clamp 1-polig	P...357 E
06	Fuse CF8, 75 A	560.710
07	Isolating nut/mother for CF8	710.353
08	Battery cable including fuse 75A IBC as from machine no. 9137-007	436.983
09	Battery charger as from machine no. 9137-007	565.255

RA 505 IBCT
Suction nozzle curved

As at: 02/16/16 Time:11:19



RA 505 IBCT

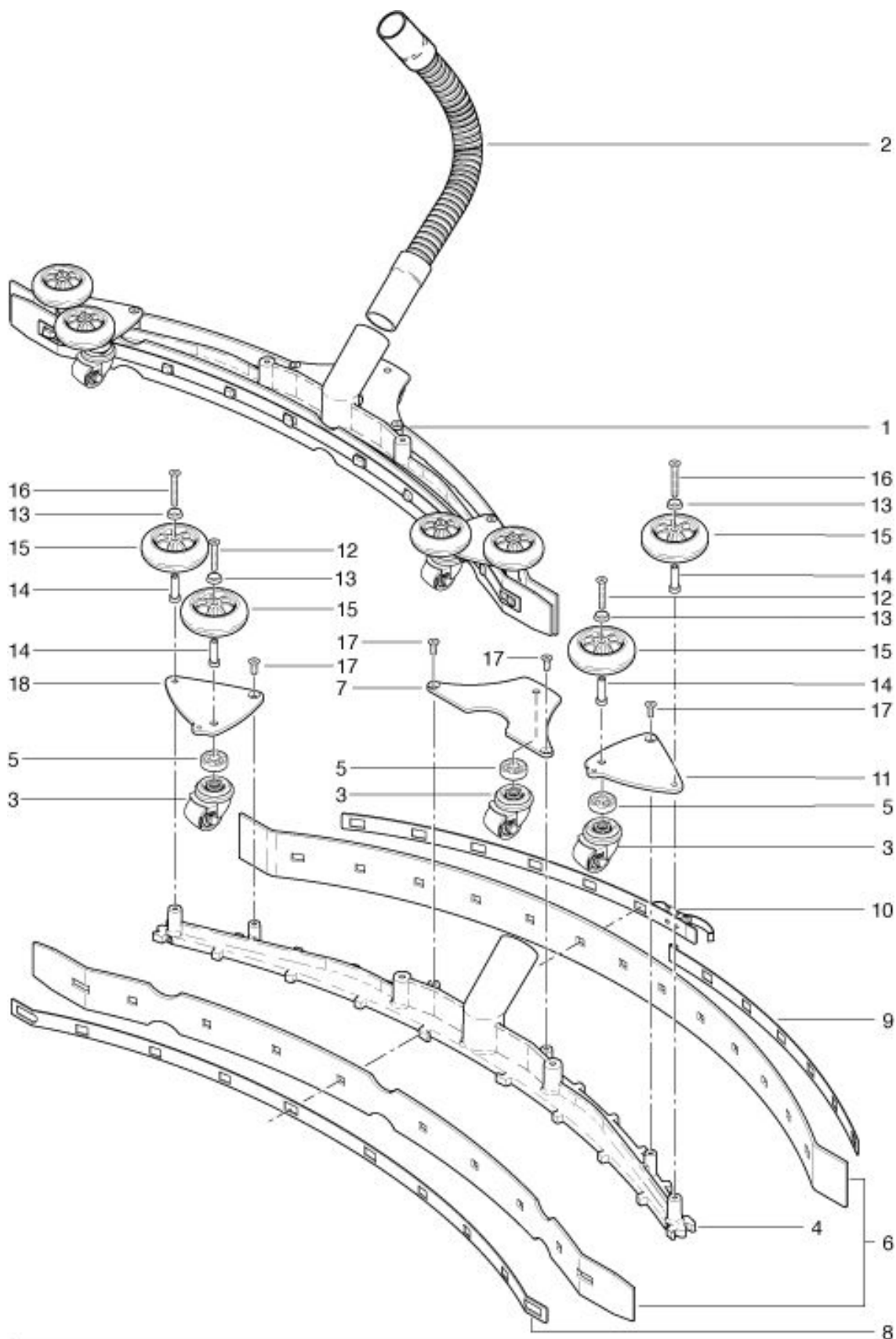
Suction nozzle curved

As at: 02/16/16 Time:11:19

Pos.	Description	Reference
01	Suction nozzle curved standard compl.	555.560
02	Hose complete	701.580
04	Suction nozzle	555.570
05	Shank	555.566
06	Rubber blade oil resistant	565.083
06	Rubber blade oil resistant	565.081
08	Internal fixation	555.564
09	External right fixation	555.562
10	External right fixation	555.563
11	Star handle M 8x18	P253M
12	Screw DIN 7991 M6x40	P...479 NA
13	Washer SN 213912 M6 18/4,8	P...500 Q
14	Shell	555.589
15	Role Ø 75	555.510

RA 505 IBCT
Suction nozzle curved-a

As at: 02/16/16 Time:11:19



RA 505 IBCT

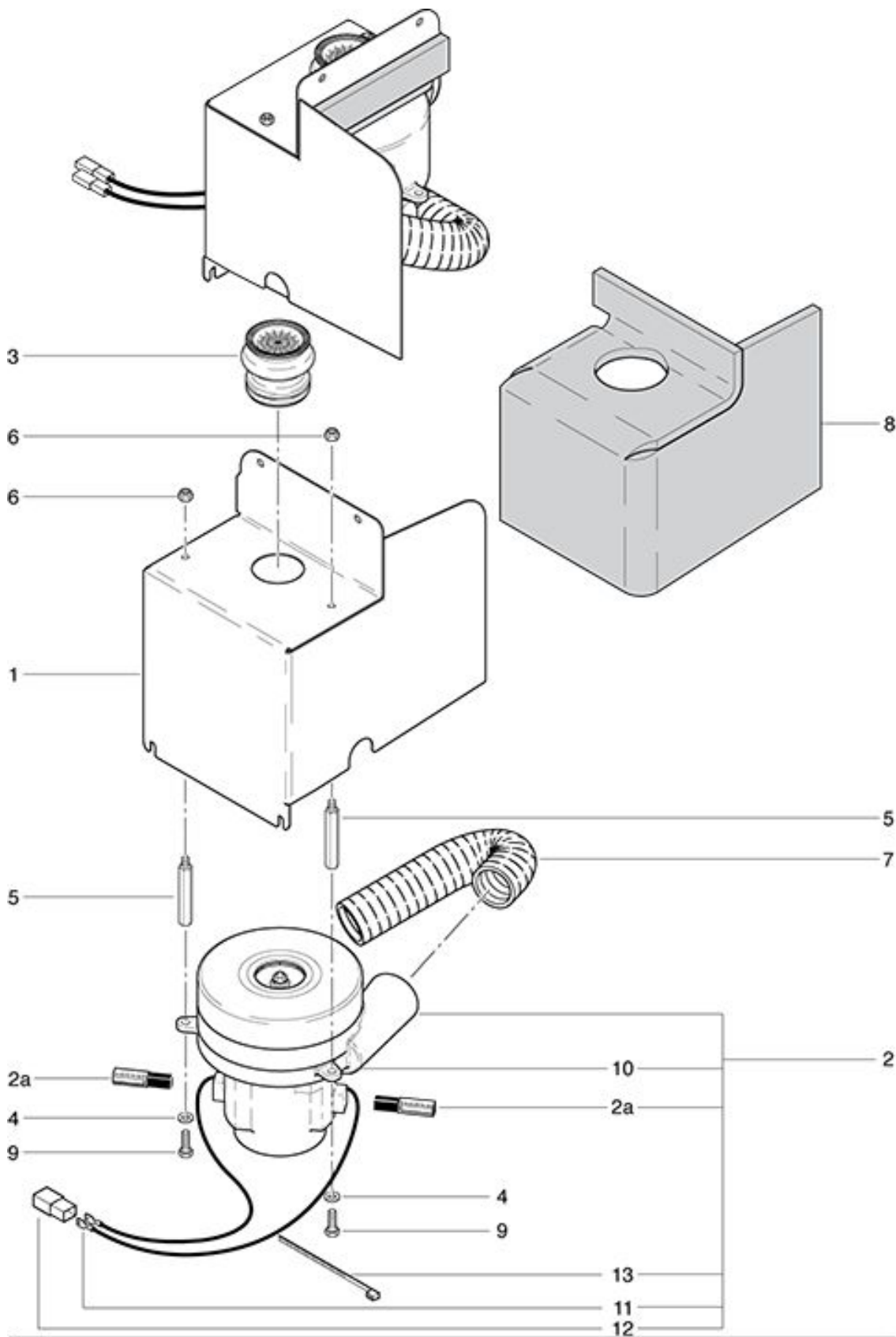
Suction nozzle curved-a

As at: 02/16/16 Time:11:19

Pos.	Description	Reference
01	Suction nozzle curved standard compl.	565.565
02	Hose complete	701.580
03	Castor wheel Ø 35 with Screw	P...209 A
04	Suction nozzle	555.570
05	Distance piece Ø 30x10	565.537
06	Rubber blade oil resistant	565.083
06	Rubber blade oil resistant	565.081
07	Support arrière	565.544
08	Internal fixation	555.564
09	External right fixation	565.542
10	External right fixation	565.541
11	Retaining plate left	565.543
12	Screw DIN 7991 M6x40	P...479 NA
13	Washer SN 213912 M6 18/4,8	P...500 Q
14	Shell	565.586
15	Role Ø 75	555.510
16	Screw DIN 7991 M 6x50	P...479 ND
17	Vis DIN 7991 M 6x16	P...487 W
18	Retaining plate right	565.545

RA 505 IBCT
Blower box

As at: 02/16/16 Time:11:19



RA 505 IBCT

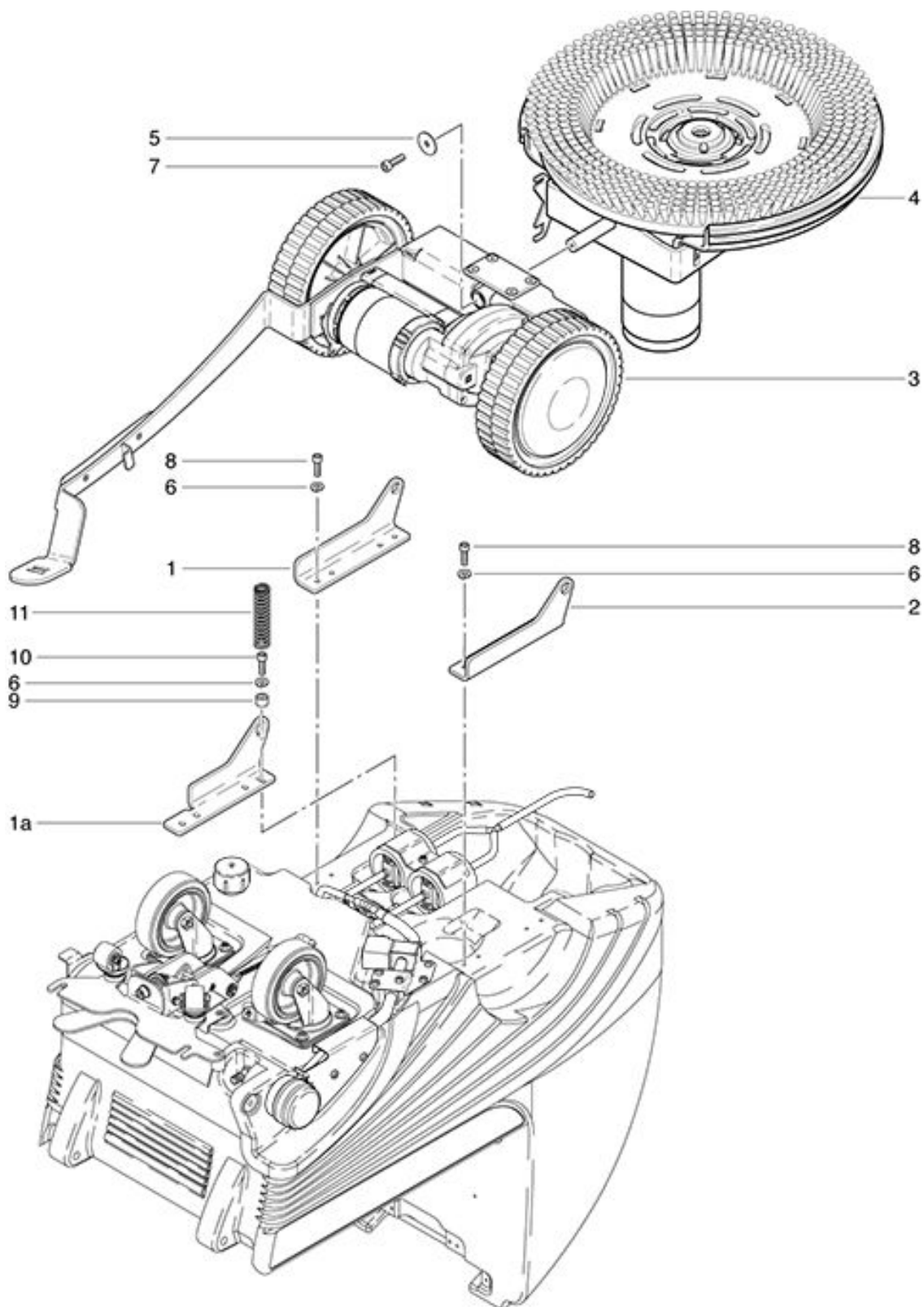
Blower box

As at: 02/16/16 Time:11:19

Pos.	Description	Reference
01	Cover for suction motor	565.671
02	Vacuum motor 24V / 400W compl.	440.207
02a	Pair of carbon brushes	P...870 KB
03	Piston seal for suction motor	565.672
04	Washer DIN 125-A M6 6,4/12/1,6	P...496 K
05	Spacer BN 3318 M6 x 60	P...484 UD
06	Stopp nut DIN 985 M 6	P...493 K
07	Isolation hose per meter	400.223
08	Sound insulation	565.673
09	Screw DIN 933 M 6x20	P...470 X
10	Moteur d'aspiration 24V / 400W	440.206
11	Flat pin plug 6,3 2-pole	P...401 E
12	Flat pin plug 6,3 2-pole	P...818 E
13	Cable tie 4,8x200 mm	P...609

RA 505 IBCT
Châssis assemblage tête de brosse

As at: 02/16/16 Time:11:20



RA 505 IBCT

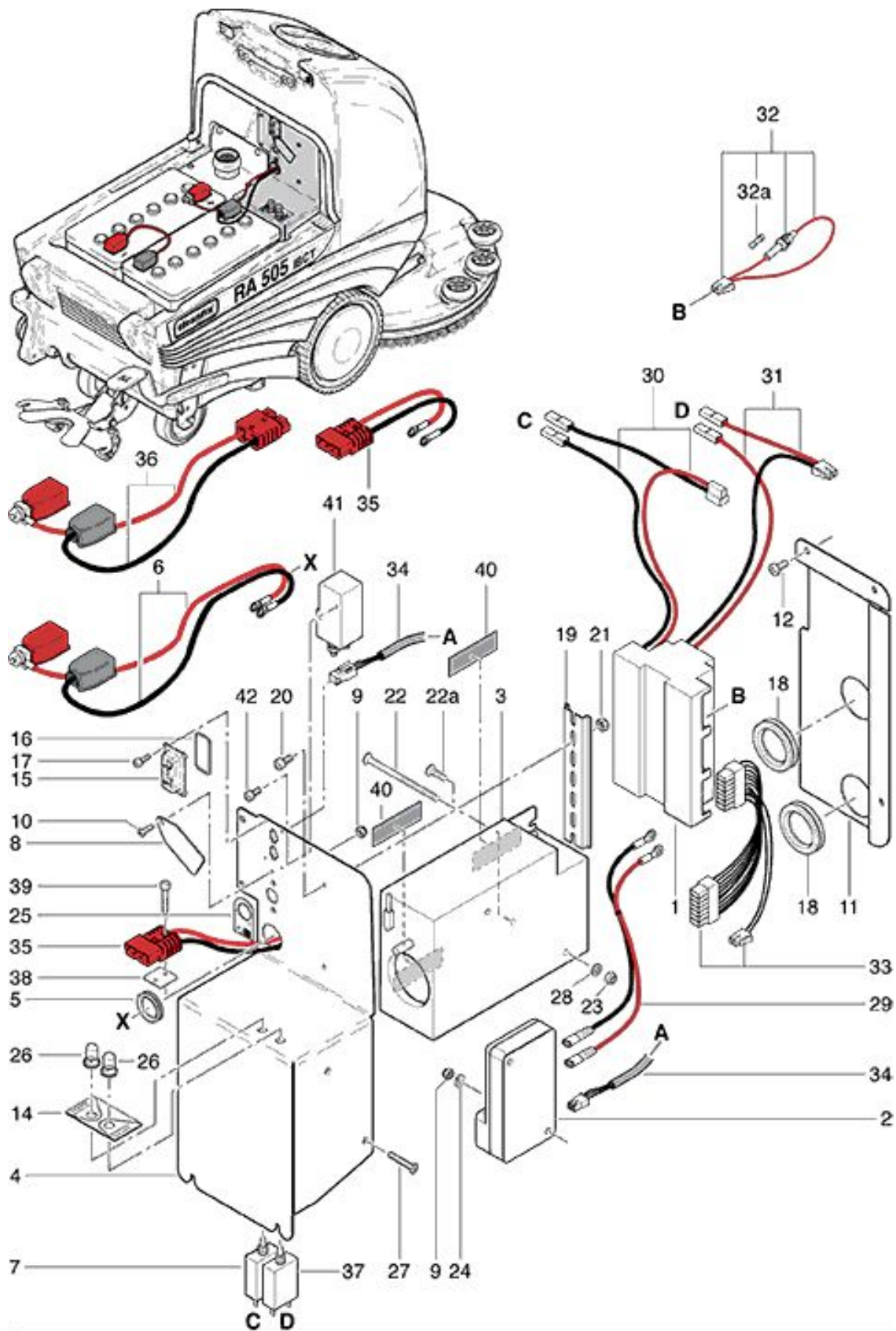
Châssis assemblage tête de brosse

As at: 02/16/16 Time:11:20

Pos.	Description	Reference
01	Bar right up to machine no. 9137-004	565.453
01a	Bar right as from machine no. 9137-005	565.436
02	Bar left	565.462
03	Lift mechanism	565.320
04	Brushhead compl.	555.500
05	Washer DIN 522 M8 8,4/35/2,5	P...496 PA
06	Screw DIN 127 B M6 6,1/11,8/1,6	P...498 U
07	Screw DIN 912 M8 x 20	P...487 B
08	Screw DIN 912 M6 x 22	P...486 X
09	Spring mounting pins from machine No. 9137-005	565.556
10	Screw DIN 912 M 6x25 as from mach. no. 9137.005	P...486 T
11	Spring 2/4/76 from machine No. 9137-005	565.516

RA 505 IBCT Control

As at: 02/16/16 Time:11:27



RA 505 IBCT

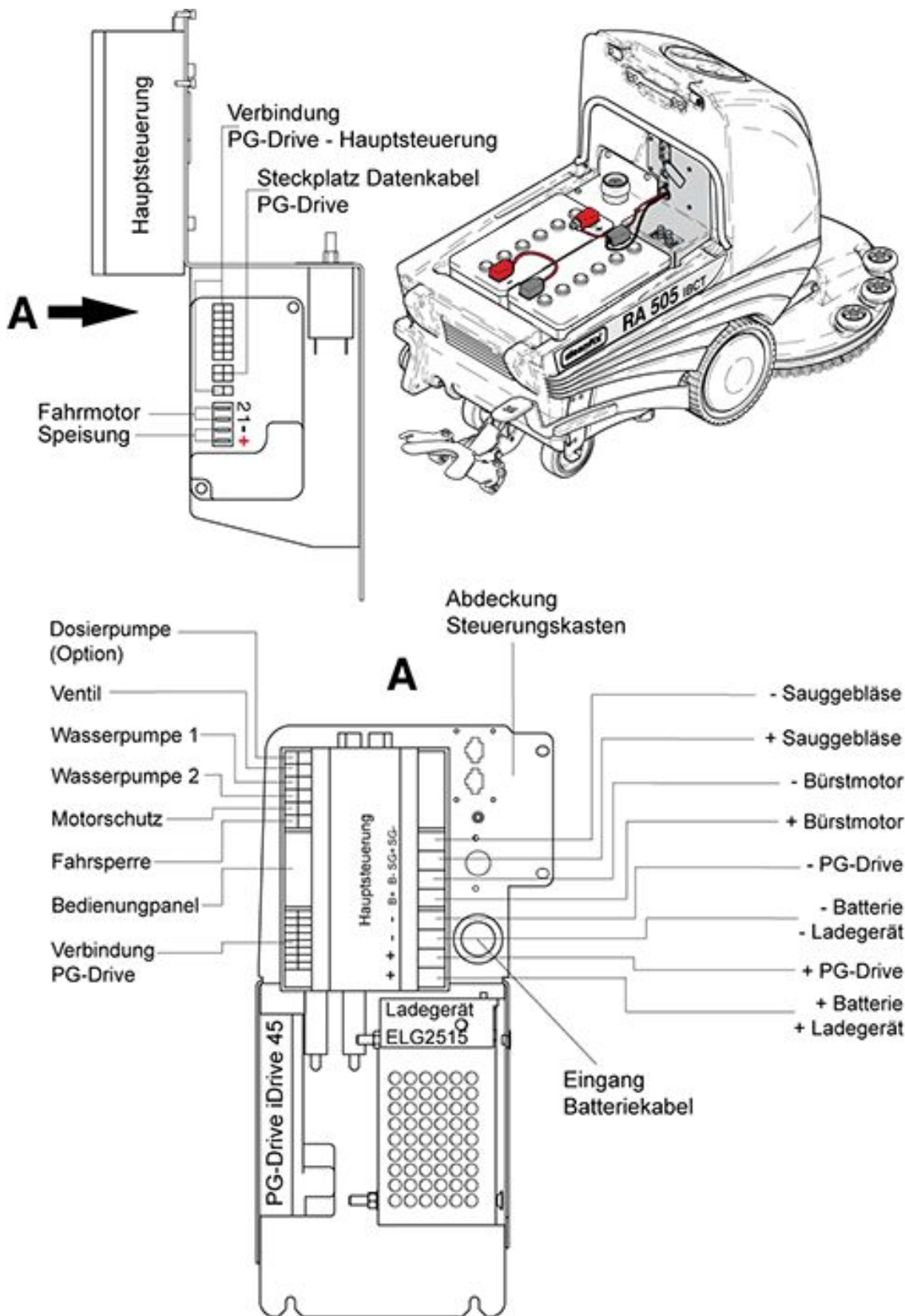
Control

As at: 02/16/16 Time:11:27

Pos.	Description	Reference
01	Main control Styromat (up to machine no.9149.001 pos.1with cable 565.410	565.506
02	PG-Drive idrive 45	565.493
03	Charger ELG2515	565.497
04	Cover for control	565.498
05	Membrane socket	565.499
06	Battery cable tree of compl. up to machine no. 9137-006	565.258
07	Protect switch	470.355
08	Cover flap	565.487
09	Stopp nut DIN 985 M4	P...492 E
10	Screw DIN 965 M4 x 10	P...479 B
11	Metal plate ELG2415	565.486
12	Screw DIN 7985 M 5x8	P...476 AC
14	Sticker for protect switch	565.485
15	Cover	565.448
16	Ring DIN 3771 37,82 x 1,8	P...088 B
17	Screw DIN 912 M3 x 5	P...488 L
18	Membrane socket	565.447
19	Bar	565.443
20	Screw DIN 912 M5 x 10	P...489 E
21	Nut 934 M5	P...490 C
22	Screw DIN 7991 M6x90	P...479 NC
22a	Screw DIN 7991 M 6x10	P...480 K
23	Stopp nut DIN 985 M6	P...493 K
24	Ring DIN 127B M4 4,1/7,6/0,9 CuSn	P...498 A
25	Sticker for Scale	565.439
26	Protection cover	500.957 A
27	Screw DIN 7991 M 4x30	P...478 O
28	Washer DIN 9021 M6 6,4/18/1,6	P...496 L
29	Doublecord	565.253
30	Aspirated engine wiring harness	565.674
31	T-Cord for brush motor	565.257
32	Cable harness	565.260
32a	Fuse T 5A, 250V	P...363 C
33	Connection cord	565.492
34	Data cable	565.484
35	Battery charger as from machine no. 9137-007	565.255
36	Battery cable including fuse 75A IBC as from machine no. 9137-007	436.983
37	Protect switch 30 A	500.959
38	Pad battery connector	565.254
39	Screw DIN 912 M 4x20 A2	P...488 C
40	Slip protection	400.139
41	Relais ETL 10P2	535.634
42	Screw DIN 912 M 4x8 A4	P...488 D

RA 505 IBCT Control-a

As at: 02/16/16 Time:11:28



RA 505 IBCT
Control-a

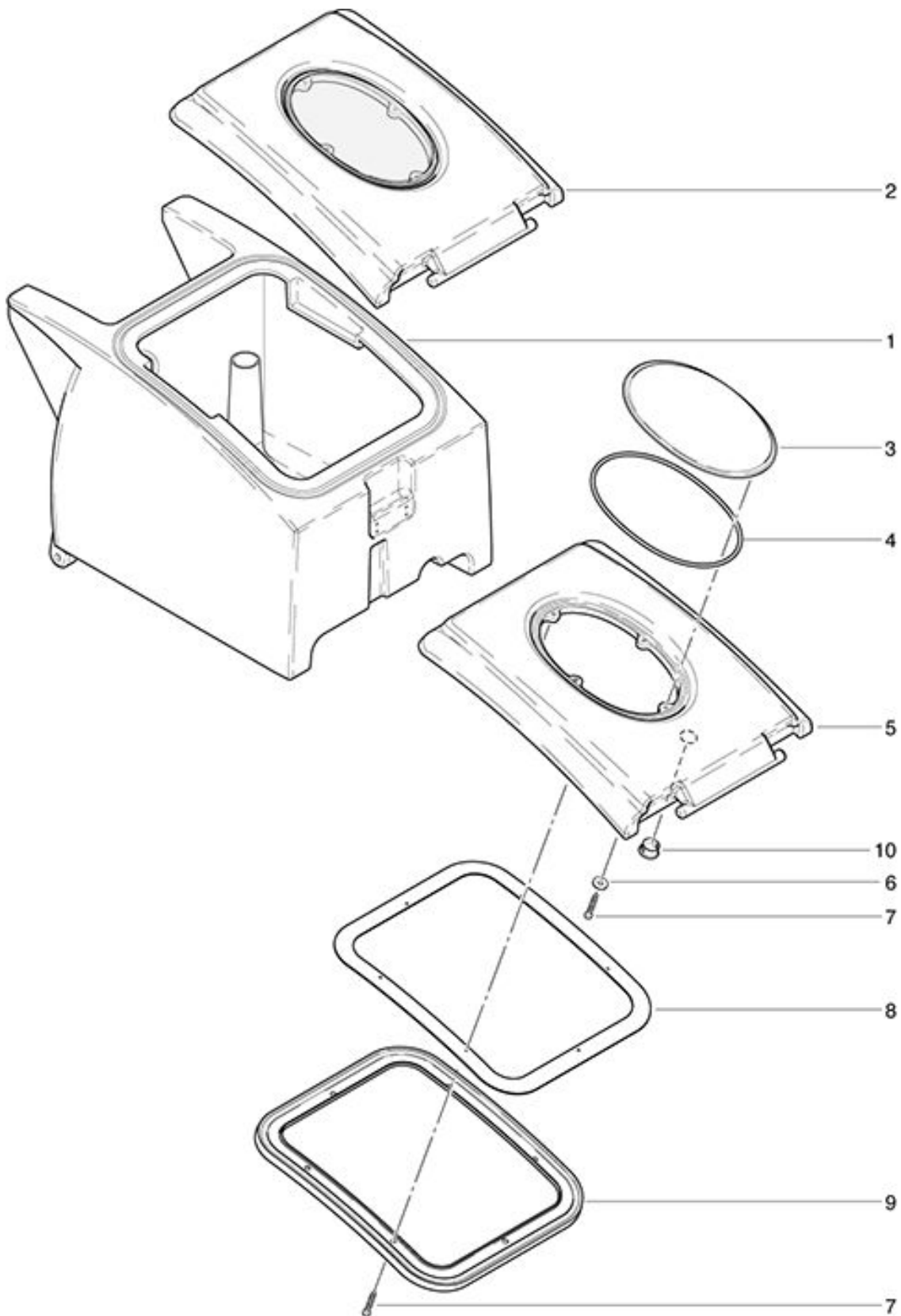
As at: 02/16/16 Time:11:28

Pos. Description

Reference

RA 505 IBCT
Cover waste water tank

As at: 02/16/16 Time:11:28



RA 505 IBCT

Cover waste water tank

As at: 02/16/16 Time:11:28

Pos.	Description	Reference
01	Waste water tank complete	565.655
02	Cover waste water tank	565.120
03	Inspection glass	565.121
04	Rope seal	565.122
05	Cover	565.123
06	Washer DIN 9021 M 4 4,3/12/1	P...496 C
07	Screw DIN 7981 C 4,2 x 25	P...483 L
08	Metal plate	565.124
09	Seal	565.125
10	Cover black Ø 15,9/18,2x10,3	P...171 L

RA 505 IBCT
Wiring diagram

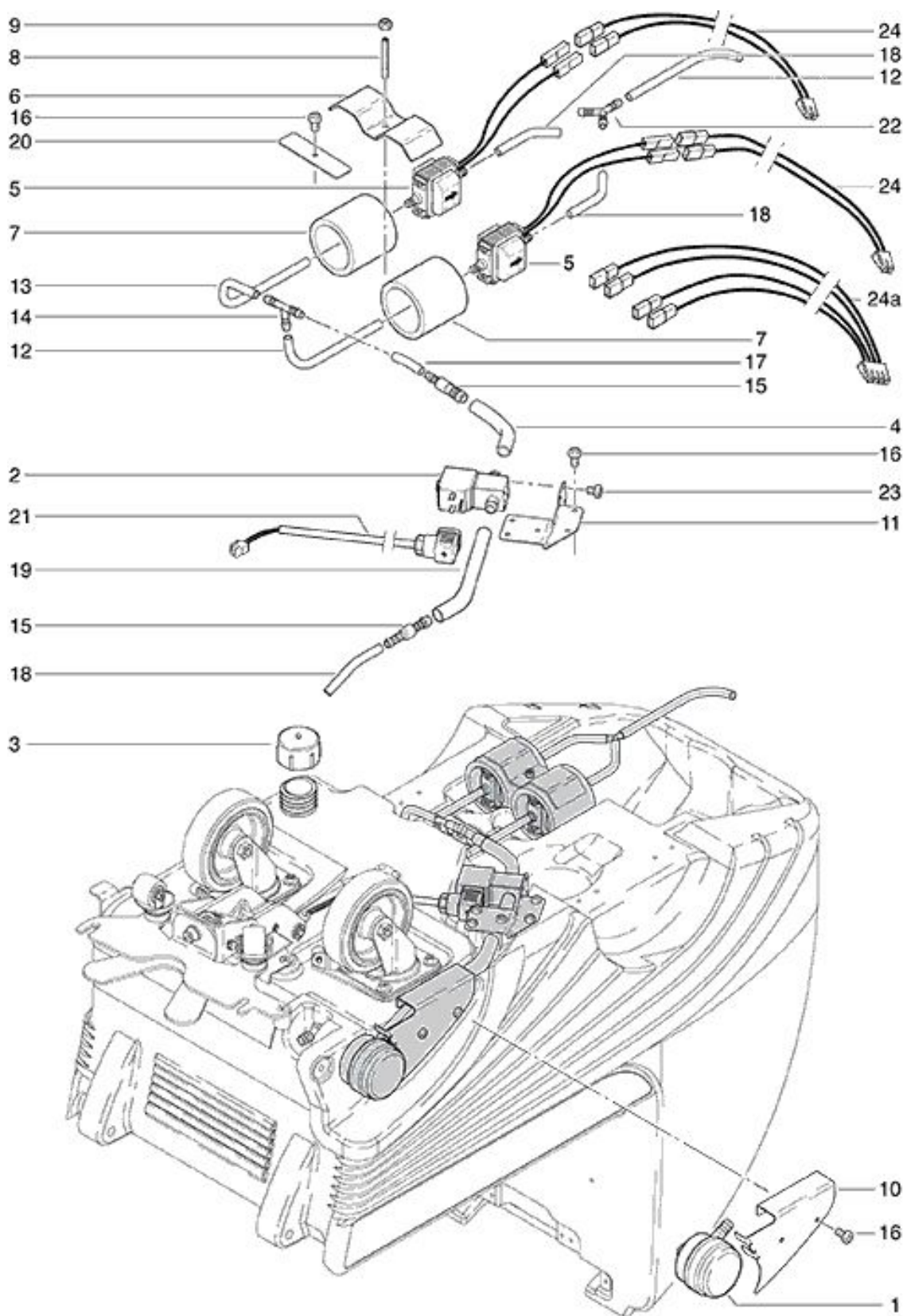
As at: 02/16/16 Time:11:28

Pos. Description

Reference

RA 505 IBCT
Water distribution up to machine no. 9432.999

As at: 02/16/16 Time:11:29



RA 505 IBCT

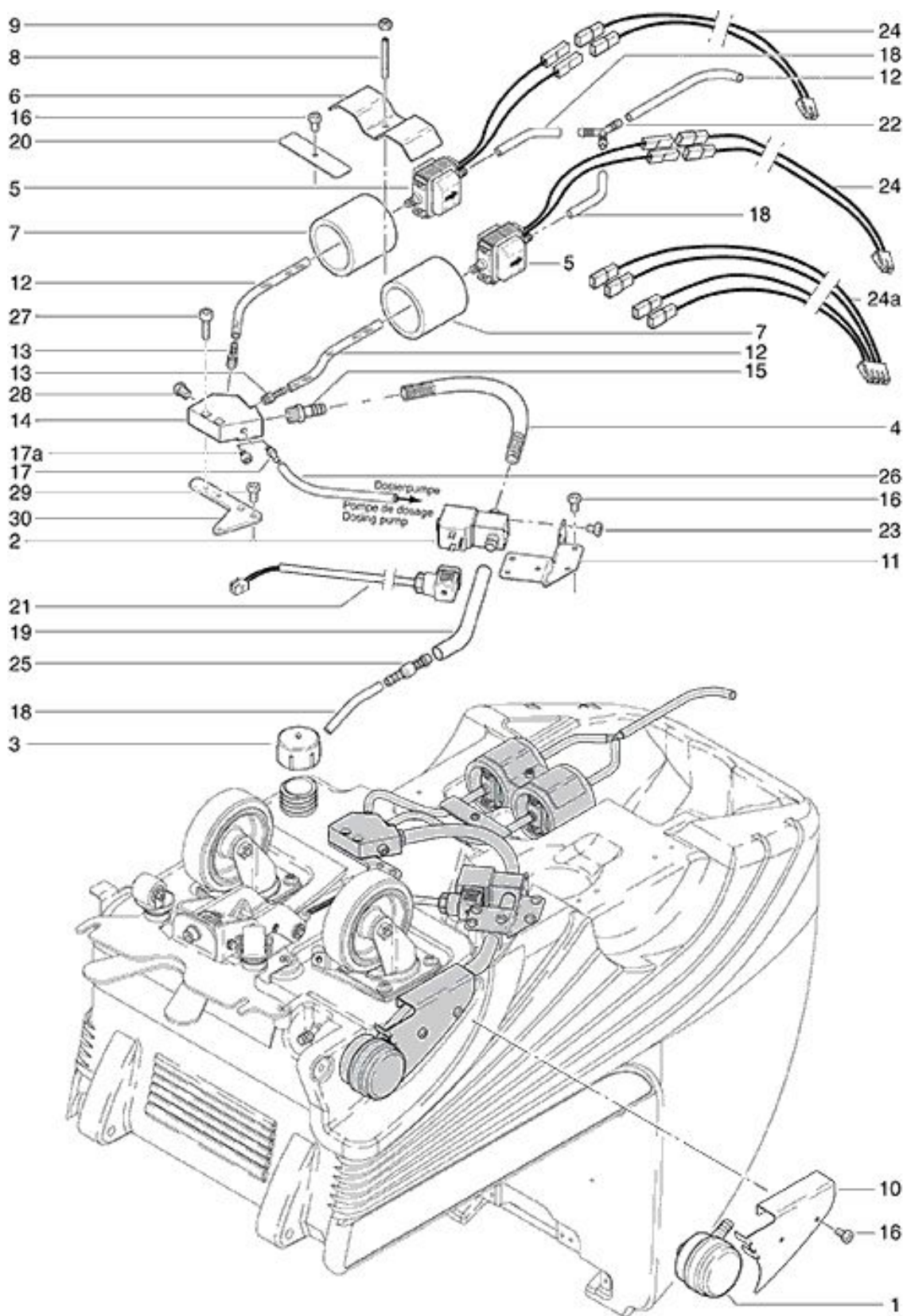
Water distribution up to machine no. 9432.999

As at: 02/16/16 Time:11:29

Pos.	Description	Reference
01	Fresh water filter	565.760
02	Magnetic valve 24V	P...258
03	Cover	500.410
04	Hose	565.425
05	NDS-X pump 24 V	P...817 A
06	Bracket	565.404
07	Cellular rubber piece	565.405
08	Thread bar	565.408
09	Stopp nut DIN 985 M 6	P...493 K
10	Metal plate	565.402
11	Magnetic valve support	565.403
12	Hose	565.426
13	Hose	565.428
14	Connecting piece	P...544 D
15	Nipple	P...539 Z
16	Screw DIN 7985 M5 x 8 A2	P...476 AC
17	Hose	565.427
18	Hose	565.422
19	Hose Flow Ø 12x220	565.429
20	Plate	565.407
21	Cable harness	436.709
22	Y-piece 8 mm	P...542 E
23	Screw WN 1412 KA40x12	P...516 P
24	Extension cable for the pump to Masch.Nr. 9149.001	565.409
24a	Extension cable 4pin pump. from Masch.Nr. 9150.001	565.410

RA 505 IBCT
Water distribution-a as from no. 9433.001

As at: 02/16/16 Time:11:29



RA 505 IBCT

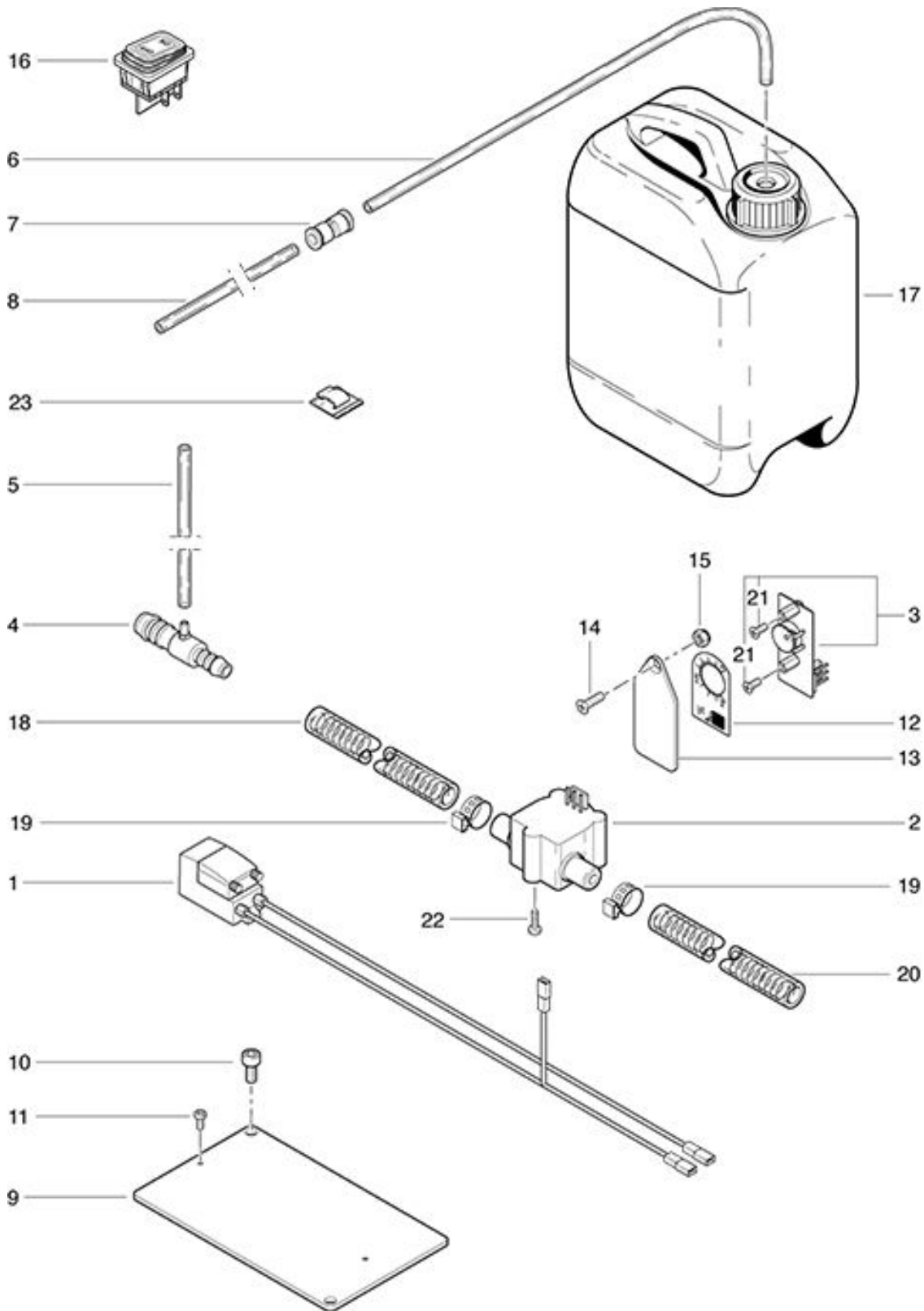
Water distribution-a as from no. 9433.001

As at: 02/16/16 Time:11:29

Pos.	Description	Reference
01	Fresh water filter	565.760
02	Magnetic valve 24V	P...258
03	Cover	500.410
04	Hose Magnetic valve 24V-Nipple	565.419
05	NDS-X pump 24 V	P...817 A
06	Bracket	565.404
07	Cellular rubber piece	565.405
08	Thread bar M 6x70	565.408
09	Stopp nut DIN 985 M 6	P...493 K
10	Metal plate	565.402
11	Magnetic valve support	565.403
12	Hose	565.418
13	Nipple GES NW 8 R1/8"	P...540 G
14	Valve block	565.540
15	Nipple GES NW 12/R1/8"	P...540 N
16	Screw DIN 7985 M5 x 8 A2	P...476 AC
17	Nipple with chemical dosing	320.170
17a	Screw DIN 912 M 5x6 A2 without chemical dosing	P...489 C
18	Hose	565.422
19	Hose Flow Ø 12x220	565.429
20	Plate	565.407
21	Cable harness	436.709
22	Y-piece 8 mm	P...542 E
23	Screw WN 1412 KA40x12	P...516 P
24	Extension cable for the pump to Masch.Nr. 9149.001	565.409
24a	Extension cable 4pin pump. from Masch.Nr. 9150.001	565.410
25	Nipple	P…539Z
26	Hose	565.417
27	Screw DIN 912 M 5x16	P...486 I
28	Blind plug R 1/4 \"	P...542 M
29	Screw DIN 7985 M5 x 10 A2	P...481 Z
30	Spring holder	565.460

RA 505 IBCT
Optional chemical dosing

As at: 02/16/16 Time:11:29



RA 505 IBCT

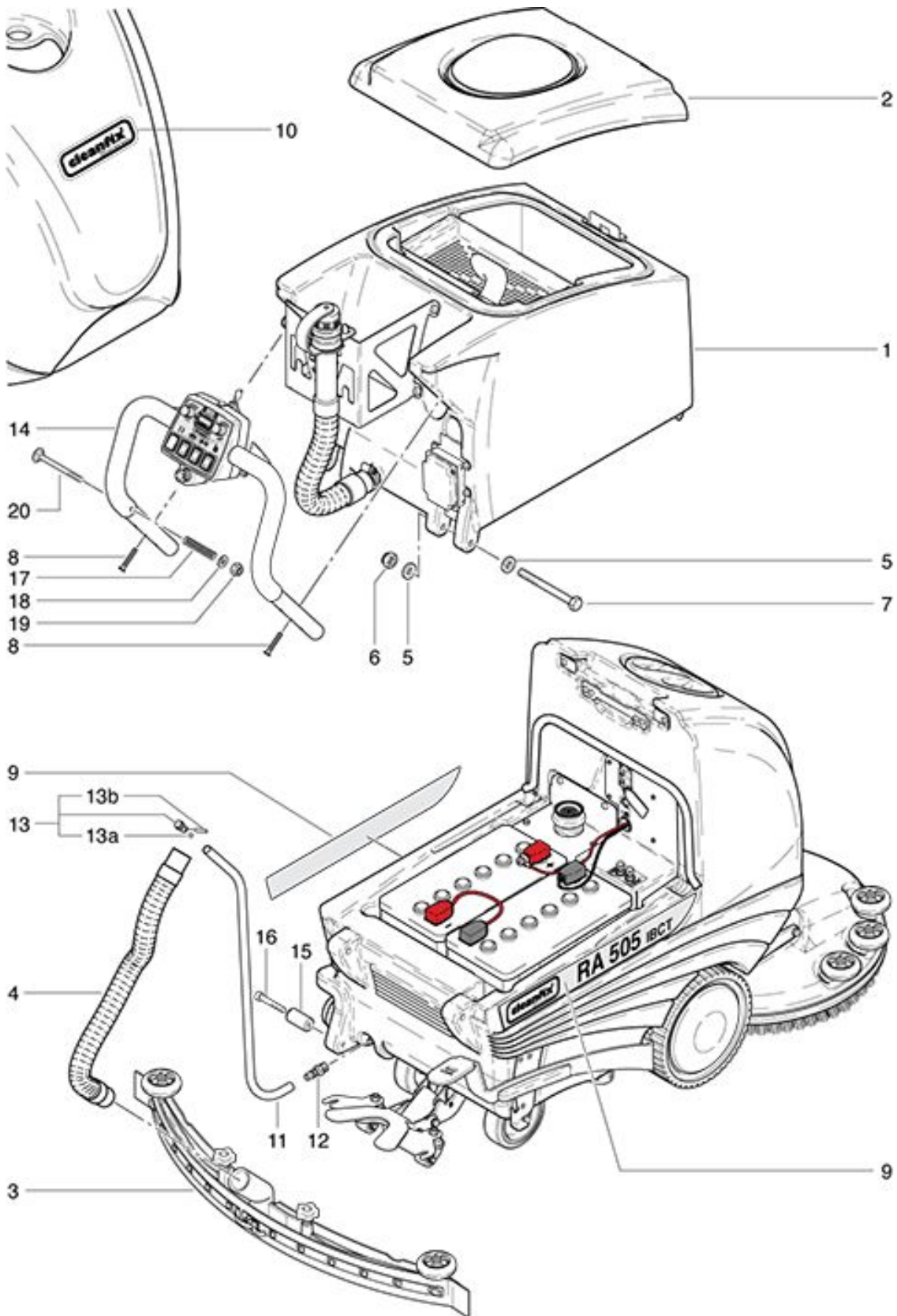
Optional chemical dosing

As at: 02/16/16 Time:11:29

Pos.	Description	Reference
01	Dosing pump	565.491
02	Flowmeter	565.406
03	Potiprint dosage	565.488
04	Nipple	565.420
05	Hose 4/6x670	565.433
06	Hose 4/6x400	565.431
07	Connection piece QSM	565.435
08	Hose 4/6x1800	565.432
09	Adaptor plate	565.434
10	Screw DIN 912 M 5x10	P...489 E
11	Screw DIN 7985 M 3x8	P...476 O
12	Sticker	565.439
13	Cover	565.487
14	Screw DIN 965 M 4x10	P...479 B
15	Stopp nut DIN 985 M 4	P...493 D
16	Tumbler switch 24 V	P...241
17	Canister	565.535
18	Hose Ø 12x140	565.423
19	Hose clip 19.8-706R	P...550 N
20	Hose Ø 12x50	565.424
21	Screw DIN 965 M 3x5	P...479 X
22	Screw WN 1412 KA 40x12	P...516 P
23	Cable support	P...360

RA 505 IBCT
Mounting assemblies

As at: 02/16/16 Time:11:30



RA 505 IBCT

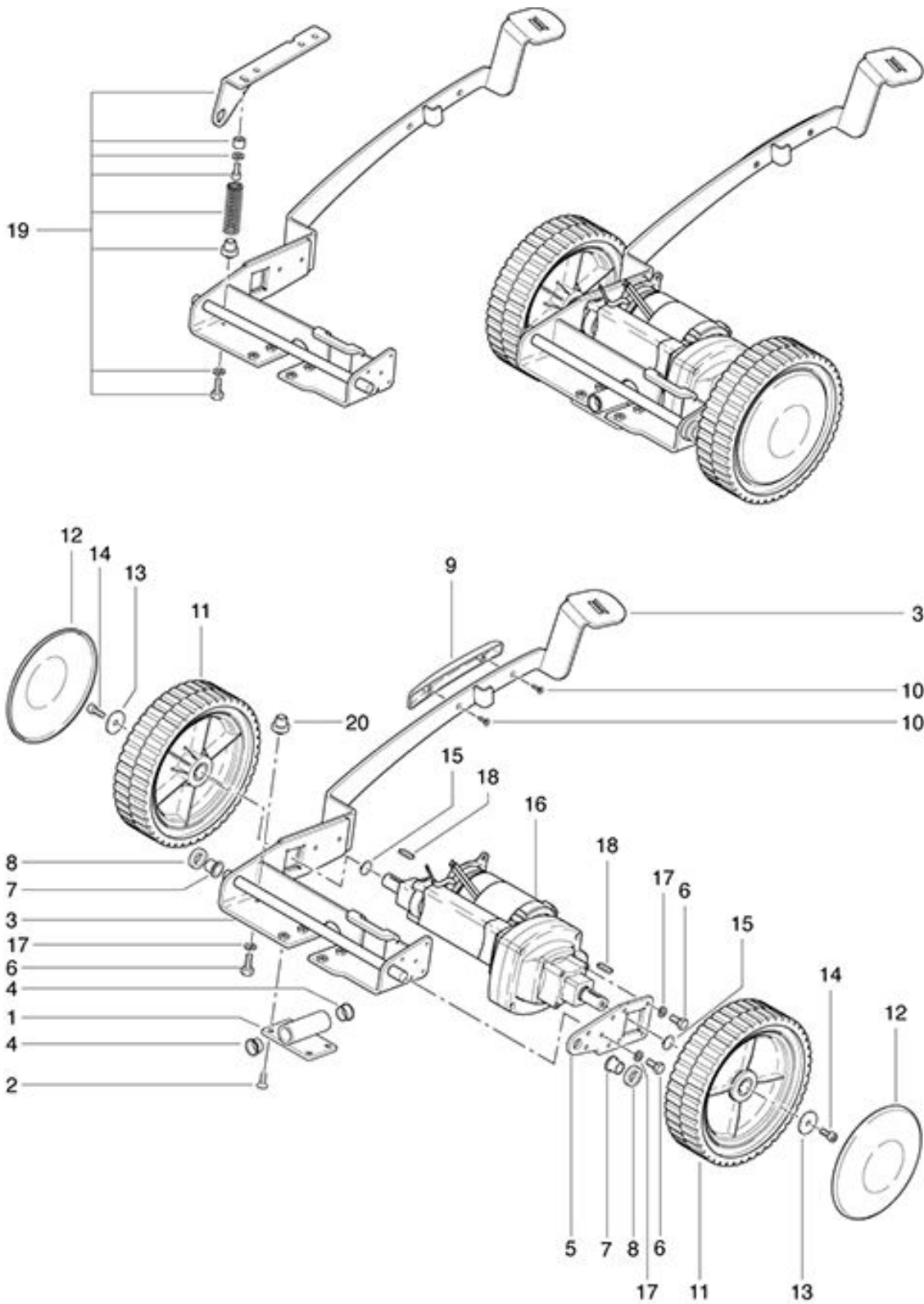
Mounting assemblies

As at: 02/16/16 Time:11:30

Pos.	Description	Reference
01	Waste water tank complete	565.650
02	Cover waste water tank	565.120
03	Suction nozzle curved standard compl.	555.560
04	Hose complete 840mm	565.640
05	Washer DIN 125-1A M12 13/20/2	P...497 S
06	Security nut M 12	P...492 T
07	Screw DIN 931 M 12x120	P...470 N
08	Screw DIN 7991 M 6x40	P...479 NA
09	Decorative strips - set	555.455
10	Biodoming labels \"Cleanfix\"	110
11	Hose PVC Ø 12x2	565.451
12	Nipple GES NW 12 R3/8\"	P...540 N
13	Back-pressure valve compl.	565.445
13a	Ball to spray	P...172 W
13b	Broche ISO 2338 2x12	P...514
14	Contolboard compl.	565.210
15	Stop roller	565.536
16	Screw DIN 912 M 6x40	P...486 Y
17	Spring 54/5/4	565.216
18	Washer DIN 1440 d8 16/2	P...497 P
19	Nut DIN 985 M8	P...492 N
20	Screw DIN 603 M 8x100	P...481 GA

RA 505 IBCT
Mécanisme de levage

As at: 02/16/16 Time:11:30



RA 505 IBCT

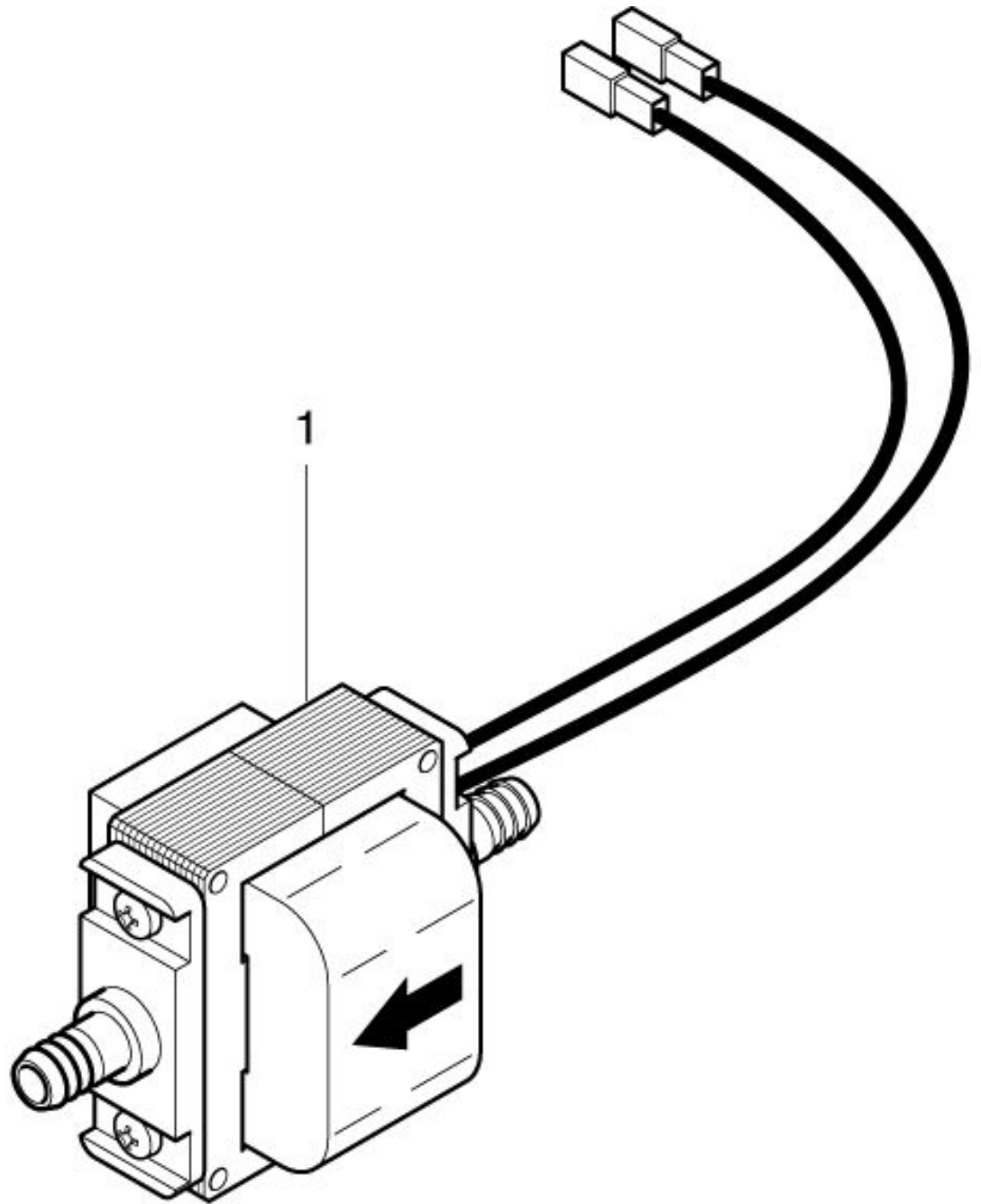
Mécanisme de levage

As at: 02/16/16 Time:11:30

Pos.	Description	Reference
01	Support	565.249
02	Screw DIN 7991 M8 x 20	P...479 RA
03	Cam mechanic	565.245
04	Floating bearing with connection GFM-2021-20	P...316 E
05	Support diagonal	565.250
06	Screw DIN 933 M6 x 14	P...470 RA
07	Floating bearing with connection GFM-1618-17	P...316 F
08	Distance ring	565.247
09	Bounce protection	565.246
10	Screw WN 1411 KA40 x 16	P...516 GA
11	Blade wheel	565.261
12	Hub cap red	530.242
13	Washer DIN 522 M8 8,4/35/2,5	P...496 PA
14	Screw DIN 933 M8 x 20	P...471 E
15	Ring DIN 471 20/1,2	P...499 K
16	Traction drive	565.251
17	Spring ring DIN 127 B M 6 6,1/11,8/1,6	P...498 U
18	Wedge DIN 6885 A, 6/6/25	P...474 I
19	Wheel conversion kit	565.559
20	Retaining pin from machine No. 9137-005	565.557

**RA 505 IBCT
Pump NDS-X**

As at: 02/16/16 Time:11:30



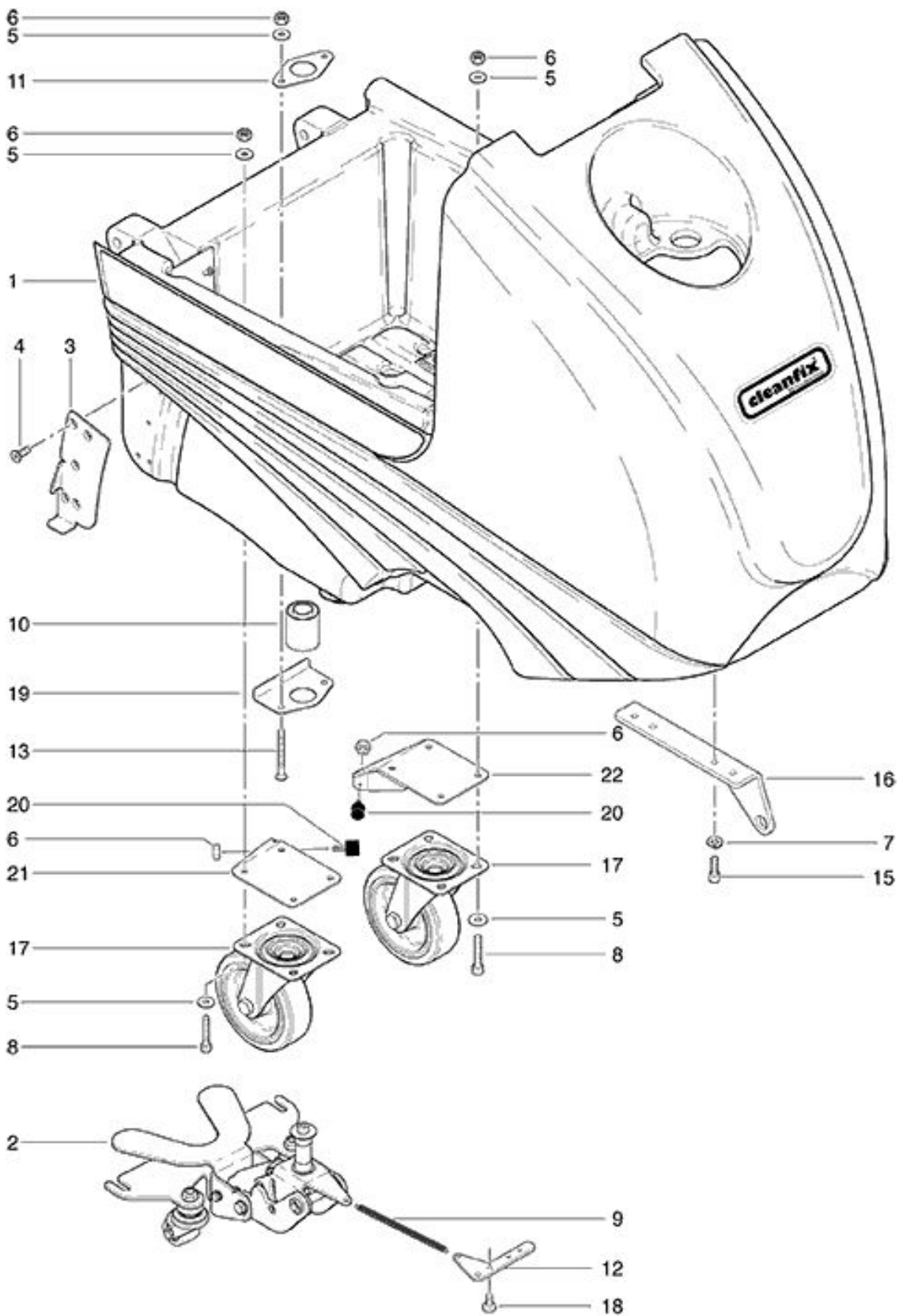
RA 505 IBCT Pump NDS-X

As at: 02/16/16 Time:11:30

Pos.	Description	Reference
01	NDS-X pump 24 V	P...817 A
02	Screw M 4x10	P...481 M
03	Connecting even	P...809 M
04	O-ring Ø 14x1,5 mm	P...809 K
05	Valve cone	P...810 S
06	Valve spring	P...809 P
07	Arrester	P...809 N
08	Spring support	P...809 F
09	O-ring 12x1,5 mm	P...809 L
10	Pressure spring for piston	P...809 E
11	Valve seating	P...809 Q
12	Piston	P...809 B
13	Distance piece	P...818 D
14	Valve seating compl. including: items 5-7, 9+11	P...810 Y
15	Spring support compl. including: itemes 4,8+9	P...810 X

RA 505 IBCT
Fresh water tank

As at: 02/16/16 Time:11:30



RA 505 IBCT

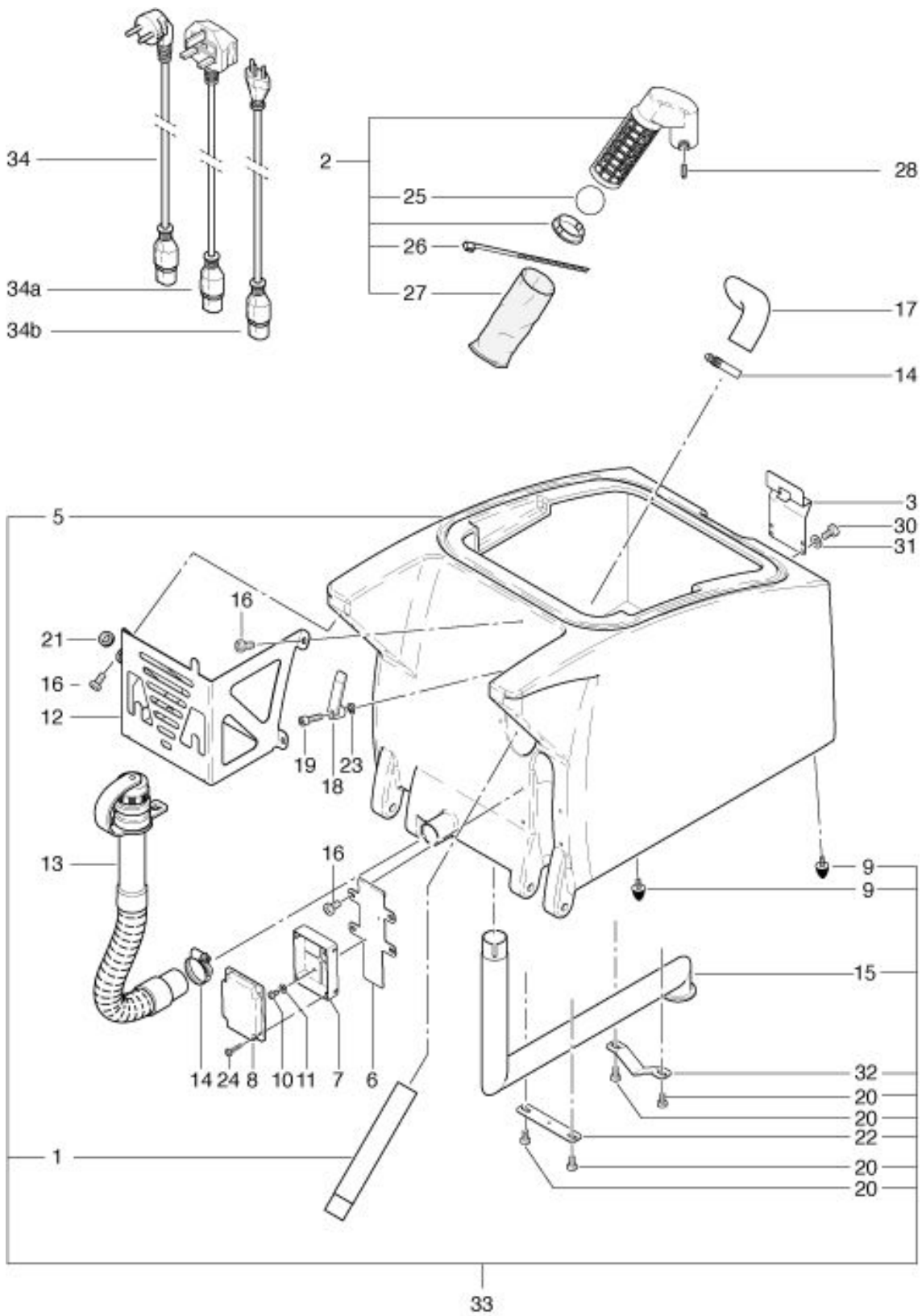
Fresh water tank

As at: 02/16/16 Time:11:30

Pos.	Description	Reference
01	Clean water tank	565.455
02	Suction nozzle suspension	565.520
03	Index plate	565.458
04	Screw DIN 7991 M6 x 10	P...480 K
05	Washer DIN 9021 M6 6,4/18/1,6	P...496 L
06	Hexagon nut DIN 934 M6	P...493 K
07	Washer DIN 9021 M6 6,1/11,8/1,6	P...498 U
08	Screw DIN 912 M6 x 45	P...488 U
09	Spring 85,8x18x2,5mm 25 windings	432.084 A
10	Spring element 20/38 x 48	565.463
11	Clamp metal plate	565.459
12	Spring holder	565.460
13	Screw DIN 7991 M6 x 60	P...479 NB
15	Screw DIN 912 M6 x 22	P...486 X
16	Left list	565.462
17	Castor Ø 125 x 40	565.442
18	Screw DIN 7985 M5 x 10	P...481 Z
19	Clamp metal plate	565.465
20	Round buffer M 6 20x15 mm	060.241
21	Right plate	565.475
22	Left plate	565.476

RA 505 IBCT
Waste water tank

As at: 02/16/16 Time:11:31



RA 505 IBCT

Waste water tank

As at: 02/16/16 Time:11:31

Pos.	Description	Reference
01	Intake Tube 34/30 230mm	432.206
02	Float basket kompl.	432.300
03	Rack element	565.661
05	Waste water tank	565.655
06	Cable holder	565.668
07	Terminal box-Low part	P...379 F
08	Terminal box cover	P...379 A
09	Parabola buffer	P...172 G
10	Screw DIN 7985A M4 x 10 A2	P...481 M
11	Washer DIN 125-A M4 4,3/9/0,8	P...496 D
12	Discharge hose cpl. 630mm	565.665
13	Discharge hose cpl. 630mm	P...561
14	Worm drive hose clip 30-45mm SW7	P...206 F
15	Intake Tube	565.666
16	Screw DIN 7985 M6 x 12	P...476 P
17	Rubber bend	565.662
18	Cable hook	P...087 A
19	Screw DIN 912 M8x30	P...488 V
20	Screw DIN 7985 M5 x 8 up to masch.no. 9151.000	P...476 AC
21	Cable Sleeve 14/8/2	P...207 A
22	Holding plate up to masch.no. 9151.000	565.676
23	Washer DIN 137B M8 8,4/15/1,5 A2	P...499 AB
24	Screw WN 1412 KA30 x 14	P...516 S
25	Ball Ø 45 mm	432.304
26	Cable tie 2.4x203 mm	P...609 B
27	Filter bag	432.315
28	Pin DIN 913 M 6 x 10	P...513 L
30	Screw DIN 7985 M 6x10	P...476 Q
31	Washer DIN 125A M6 6,4/12/1,6	P...496 K
32	Tube holder up to masch.no. 9151.000	565.675
33	Waste water tank assy. with pipe consisting of items 1,5,9,15,20,22+32	565.651
34	Connection cable GB	436.790
34a	Connection cable GB	436.792
34b	Connection cable SEV	436.791

RA 505 IBCT

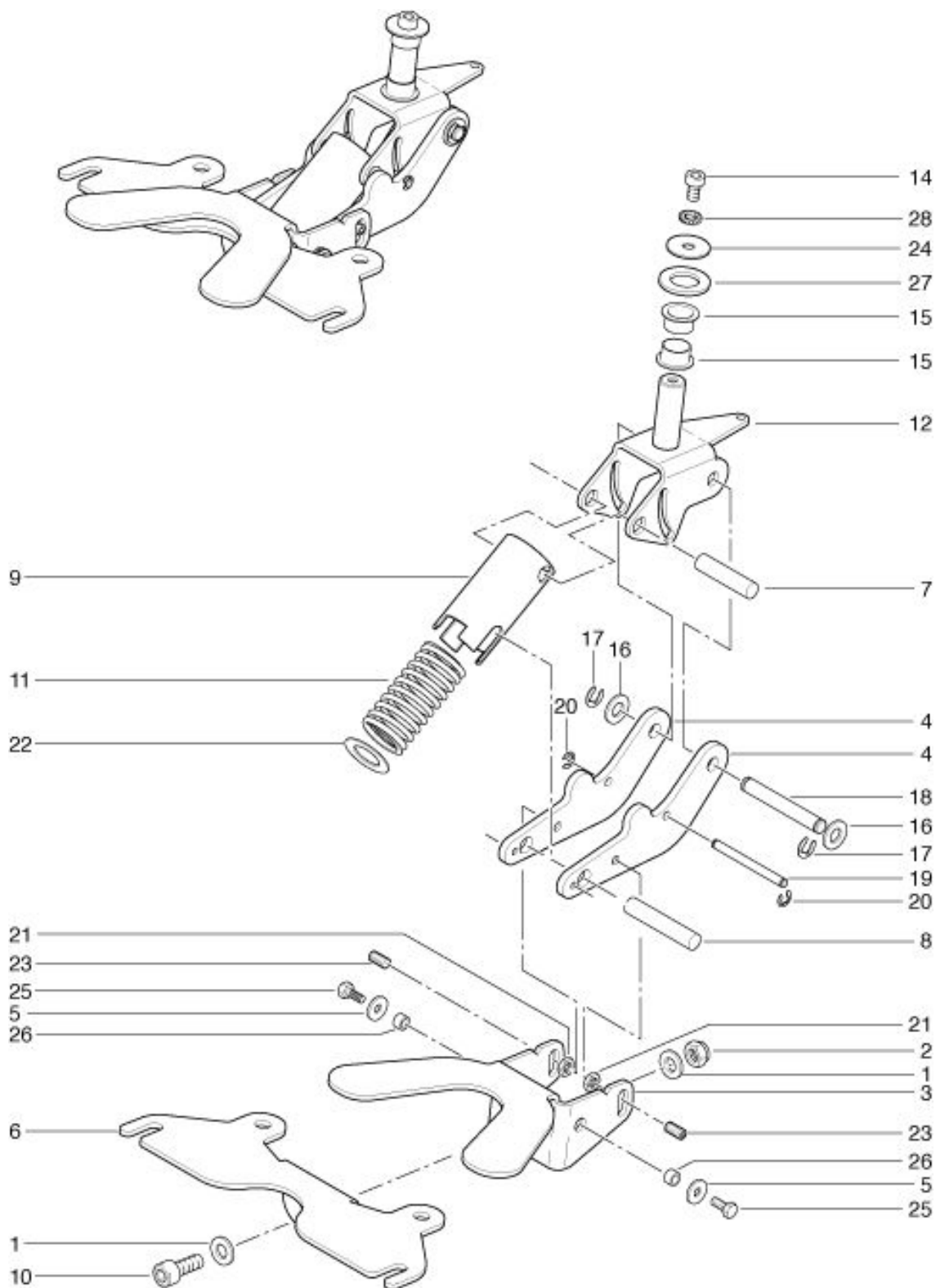
Suction nozzle suspension

As at: 02/16/16 Time:11:31

Pos.	Description	Reference
01	Washer DIN 125-A M10 10,5/20/2 PA6.6	P...510 A
02	Screw nut DIN 985 M10	P...492 Q
03	Tread	565.521
04	Support shaft	565.522
05	Washer DIN 9021 M6 6,4/18/1,6	P...496 L
06	Girder sheet metal	565.523
07	Pin	565.524
08	Pin	565.525
09	Spiral tube	565.526
10	Screw DIN 912 M10 x 25	P...487 K
11	Pressure spring 4x8,5x32x120	565.527
12	Metal plate	565.529
13	Washer DIN 125-A M8 8,4/16/1,6	P...496 P
14	Screw DIN 933 M 8x16	P...471 D
15	Slide bearing GFM-1820-12	P...316 S
16	Screw DIN 125A M10 10,5/20/2	P...496 T
17	Washer DIN 6799 8/16,3/1	P...499 Q
18	Pin	565.530
19	Pin	565.531
20	Washer DIN 6799 5/11,3/0,7	P...513 Z
21	Ring DIN 127 B M 8, 8,1/14,8/2	P...498 N
22	Rondelle DIN 988 25/35/1	P099
23	Castor wheel Ø 35 with Screw	P...209 D
24	Washer DIN 522 M8 8,4/30/1,5	P...500 N
25	Screw DIN 933 M 6x16	P...470 T
26	Distance piece d30x10	565.537
27	Shell	080.267
28	Washer DIN 9021 M10 10,5/30/2,5	P...496 S
30	Washer DIN 6798 M 8 8,4/15/0,8	P...498 G

RA 505 IBCT
Suction nozzle suspension-a

As at: 02/16/16 Time:11:31



RA 505 IBCT

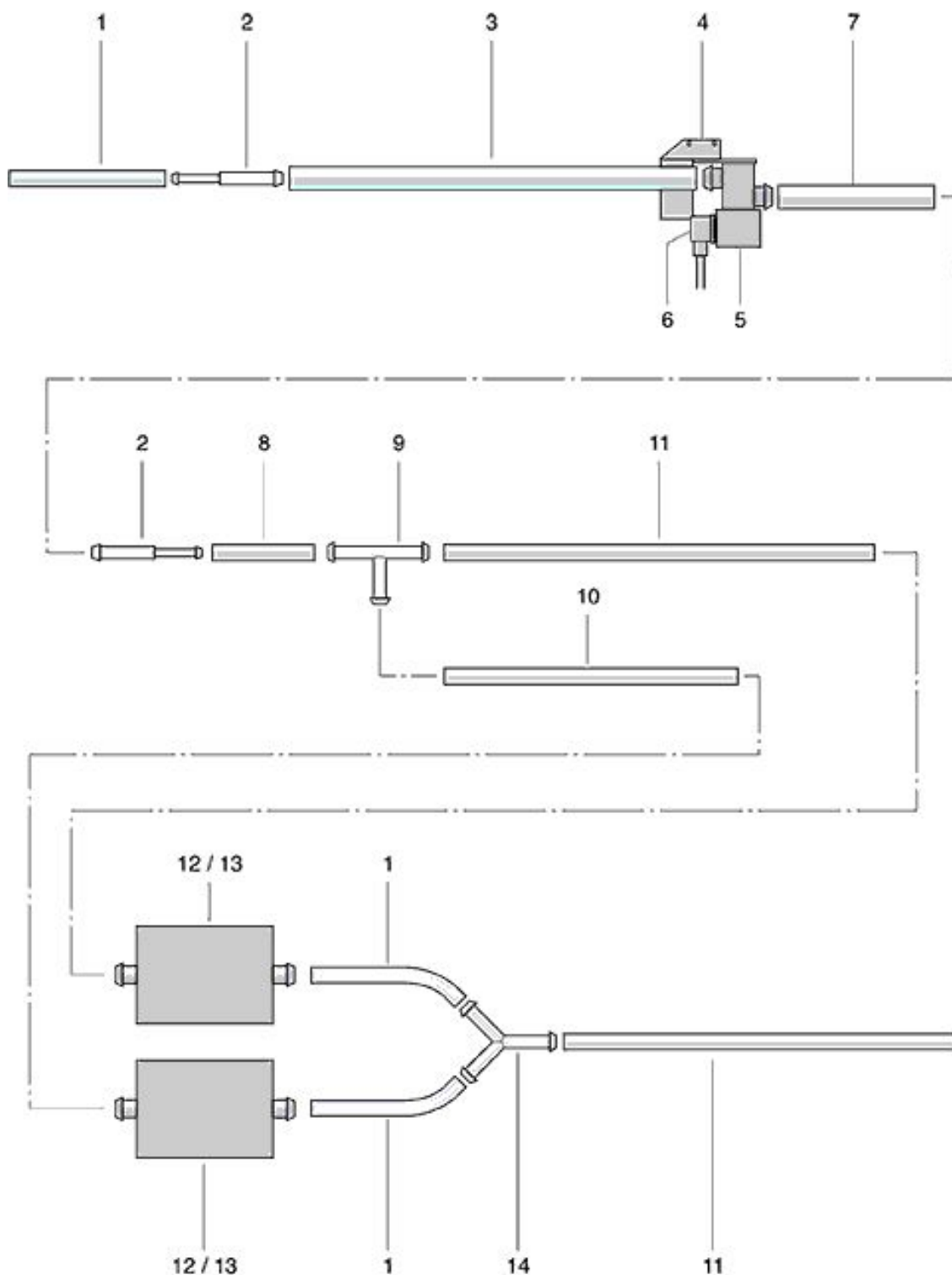
Suction nozzle suspension-a

As at: 02/16/16 Time:11:31

Pos.	Description	Reference
01	Washer DIN 125-A M10 10,5/20/2 PA6.6	P...510 A
02	Screw nut DIN 985 M10	P...492 Q
03	Tread	565.521
04	Support shaft	565.522
05	Washer DIN 9021 M6 6,4/18/1,6	P...496 L
06	Girder sheet metal	565.523
07	Pin	565.524
08	Pin	565.525
09	Spiral tube	565.526
10	Screw DIN 912 M10 x 25	P...487 K
11	Pressure spring 4x8,5x32x120	565.527
12	Metal plate	565.529
13	Washer DIN 125-A M8 8,4/16/1,6	P...496 P
14	Screw DIN 933 M 8x16	P...471 D
15	Slide bearing GFM-1820-12	P...316 S
16	Screw DIN 125A M10 10,5/20/2	P...496 T
17	Washer DIN 6799 8/16,3/1	P...499 Q
18	Pin	565.530
19	Pin	565.531
20	Washer DIN 6799 5/11,3/0,7	P...513 Z
21	Nut DIN 439 M 8	P...491 M
22	Rondelle DIN 988 25/35/1	P...099
23	Stift DIN 913 M 8x16	P...482 XE
24	Washer DIN 522 M8 8,4/30/1,5	P...500 N
25	Screw DIN 933 M 6x16	P...470 T
26	Shell	080.267
27	Flat seal Ø 35/19x2,5	565.401
28	Washer DIN 6798 M 8 8,4/15/0,8	P...498 G

RA 505 IBCT
Hosesystem up to machine no. 9432.999

As at: 02/16/16 Time:11:31



RA 505 IBCT

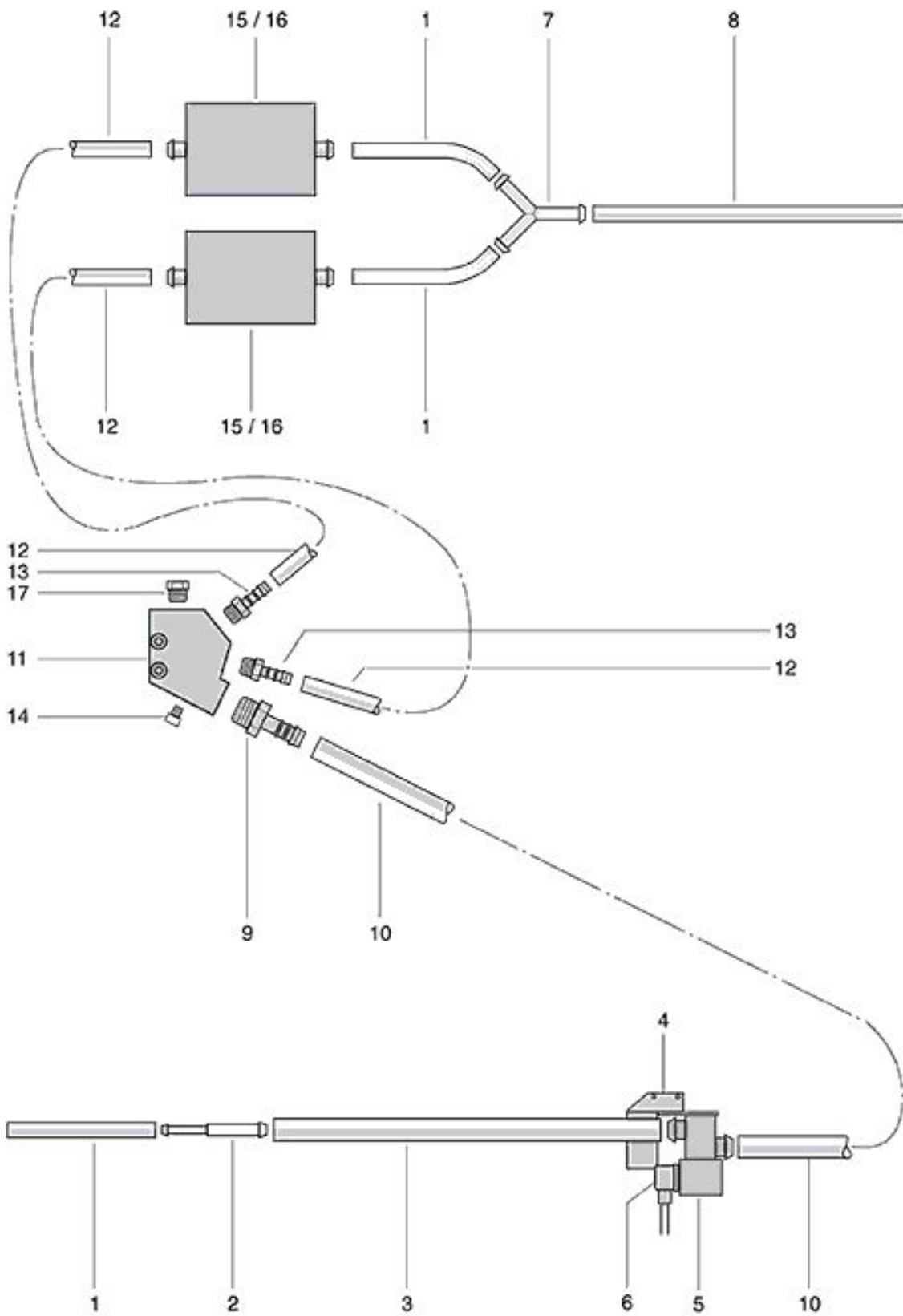
Hosesystem up to machine no. 9432.999

As at: 02/16/16 Time:11:31

Pos.	Description	Reference
01	Hose Ø 8x80	565.422
02	Nipple GRS 12-8	P...539 Z
03	Hose Ø 12x220	565.429
04	Support	565.403
05	Valve 24V	P...258
06	Cable harness	436.709
07	Hose Ø 12x80	565.425
08	Hose d12x50	565.427
09	Connection piece	P...544 D
10	Hose Ø 8x170	565.426
11	Hose Ø 8x230	565.428
12	NDS-X pump 24 V	P...817 A
13	Cellular rubber piece	565.405
14	Y-Piece 8 mm	P...542 E

RA 505 IBCT
Hosesystem-a as from no. 9433.001

As at: 02/16/16 Time:11:32



RA 505 IBCT

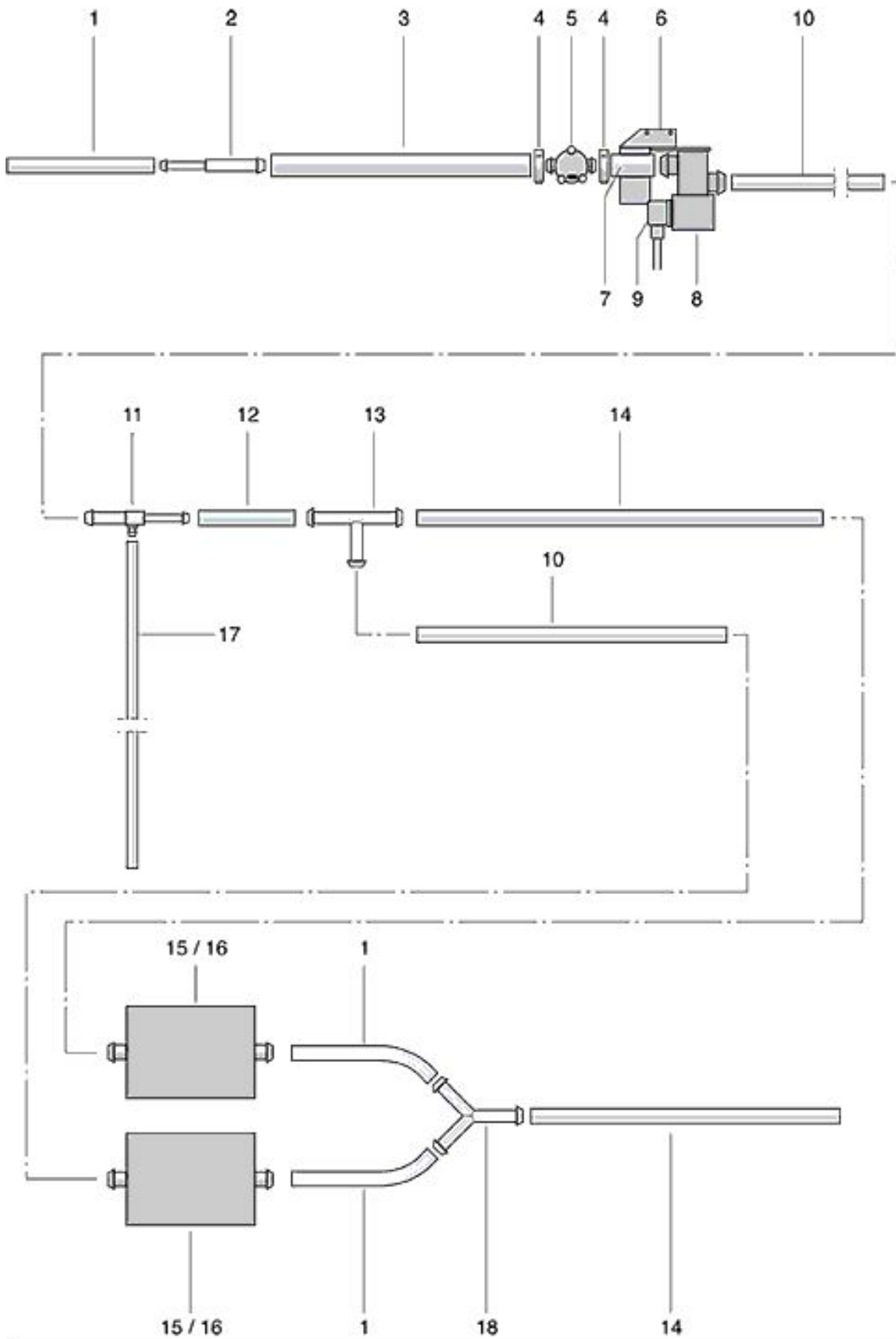
Hosesystem-a as from no. 9433.001

As at: 02/16/16 Time:11:32

Pos.	Description	Reference
01	Hose Ø 8x80	565.422
02	Nipple GRS 12-8	P...539 Z
03	Hose Ø 12x220	565.429
04	Support	565.403
05	Valve 24V	P...258
06	Cable harness	436.709
07	Y-Piece 8 mm	P...542E
08	Hose Ø 8x230	565.428
09	Nipple straight GES NW 12/ R 3/8\"	P...540 N
10	Hose - solenoid valve nipple	565.419
11	Valve block	565.540
12	Pump hose - nipple	565.418
13	Nipple straight GES NW 8/ R 1/8\"	P…540 G
14	Screw DIN 912 M 5x6 A2	P...489 C
15	NDS-X pump 24 V	P...817 A
16	Cellular rubber piece	565.405
17	Blind plug R1/4 \"	P...542 M

RA 505 IBCT
Hose system - Dosage up to machine no. 9432.999

As at: 02/16/16 Time:11:32



RA 505 IBCT

Hose system - Dosage up to machine no. 9432.999

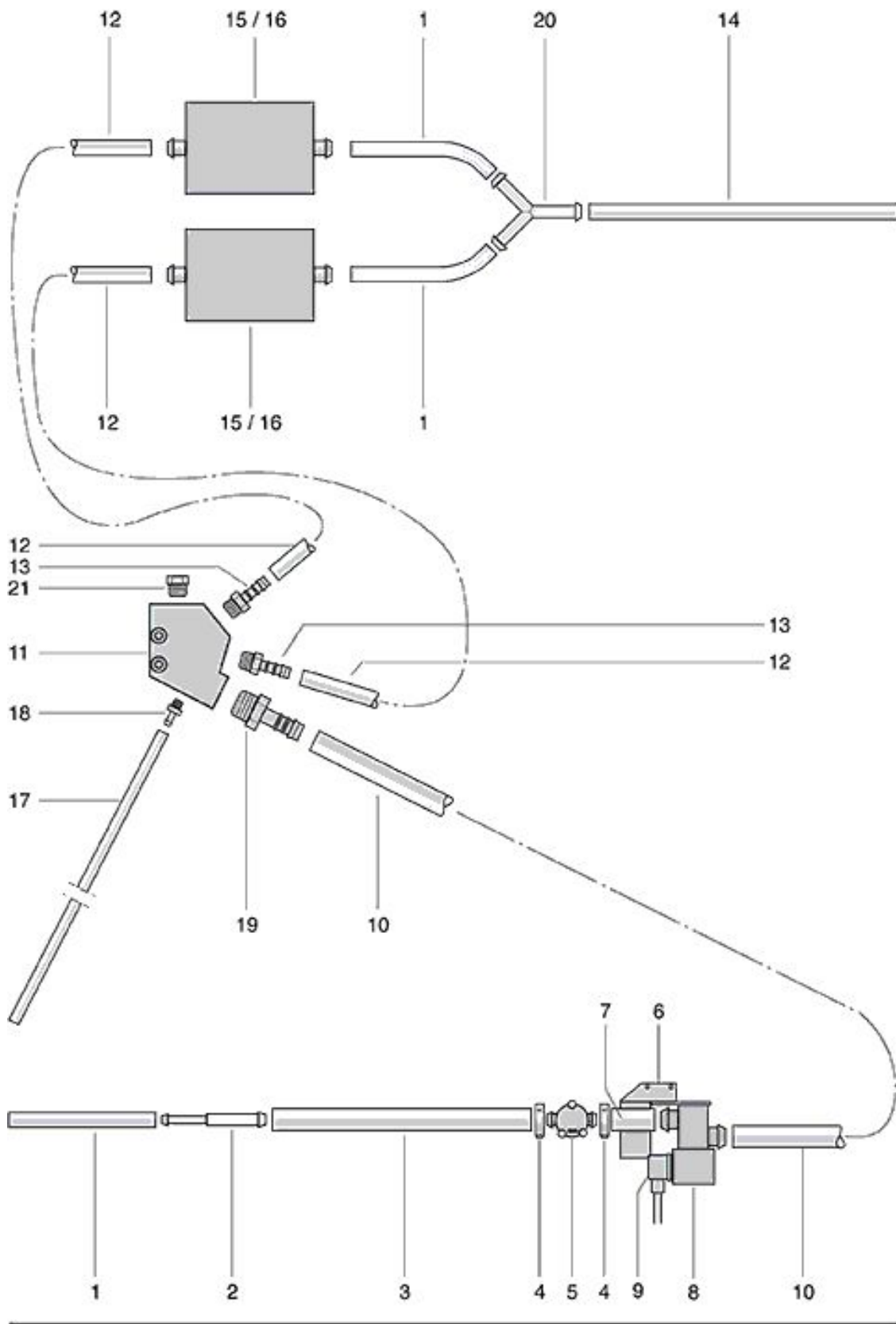
As at: 02/16/16 Time:11:32

Pos.	Description	Reference
01	Hose Ø 8x80	565.422
02	Nipple GRS 12-8	P...539 Z
03	Hose 12x140	565.423
04	Hose clip 19,8-706R	P...550 N
05	Flowmeter	565.406
06	Support for magnetic valve	565.403
07	Hose Ø 12x50	565.424
08	Magnetic valve 24V	P...258
09	Cable harness	436.709
10	Hose Ø 8x170	565.426
11	Nipple	565.420
12	Hose Ø 8x50	565.427
13	Connection piece TS8	P...544 D
14	Hose Ø 8x230	565.428
15	NDS-X pump 24 V	P...817 A
16	Cellular rubber piece	565.405
17	Hose 4/6x670	565.433
18	Y-Piece 8 mm	P...542 E

RA 505 IBCT

Hose system - Dosage-a as from no. 9433.001

As at: 02/16/16 Time:11:32



RA 505 IBCT

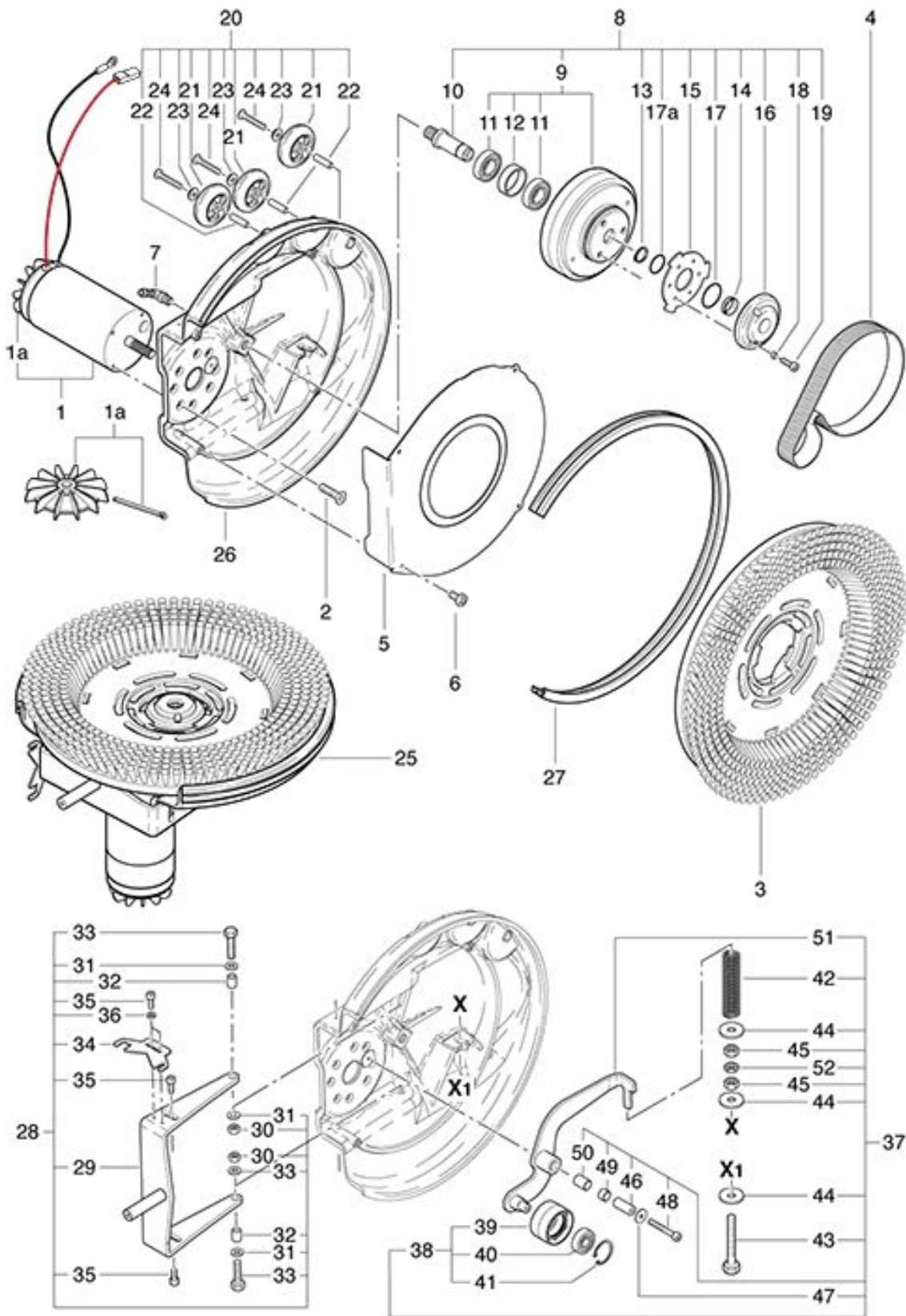
Hose system - Dosage-a as from no. 9433.001

As at: 02/16/16 Time:11:32

Pos.	Description	Reference
01	Hose Ø 8x80	565.422
02	Nipple GRS 12-8	P...539 Z
03	Hose 12x140	565.423
04	Hose clip 19,8-706R	P...550 N
05	Flowmeter	565.406
06	Support for magnetic valve	565.403
07	Hose Ø 12x50	565.424
08	Magnetic valve 24V	P...258
09	Cable harness	436.709
10	Hose - solenoid valve nipple	565.419
11	Valve block	565.540
12	Pump hose - nipple	565.418
13	Nipple straight GES NW 8/ R 1/8\"	P…540 G
14	Hose Ø 8x230	565.428
15	NDS-X pump 24 V	P...817 A
16	Cellular rubber piece	565.405
17	Hose	565.417
18	Nipple	320.170
19	Nipple straight GES NW 12/ R 3/8\"	P...540 N
20	Y-Piece 8 mm	P...542 E
21	Blind plug R 1/4 \"	P...542 M

RA 505 IBCT
Brush head

As at: 02/16/16 Time:11:32



RA 505 IBCT

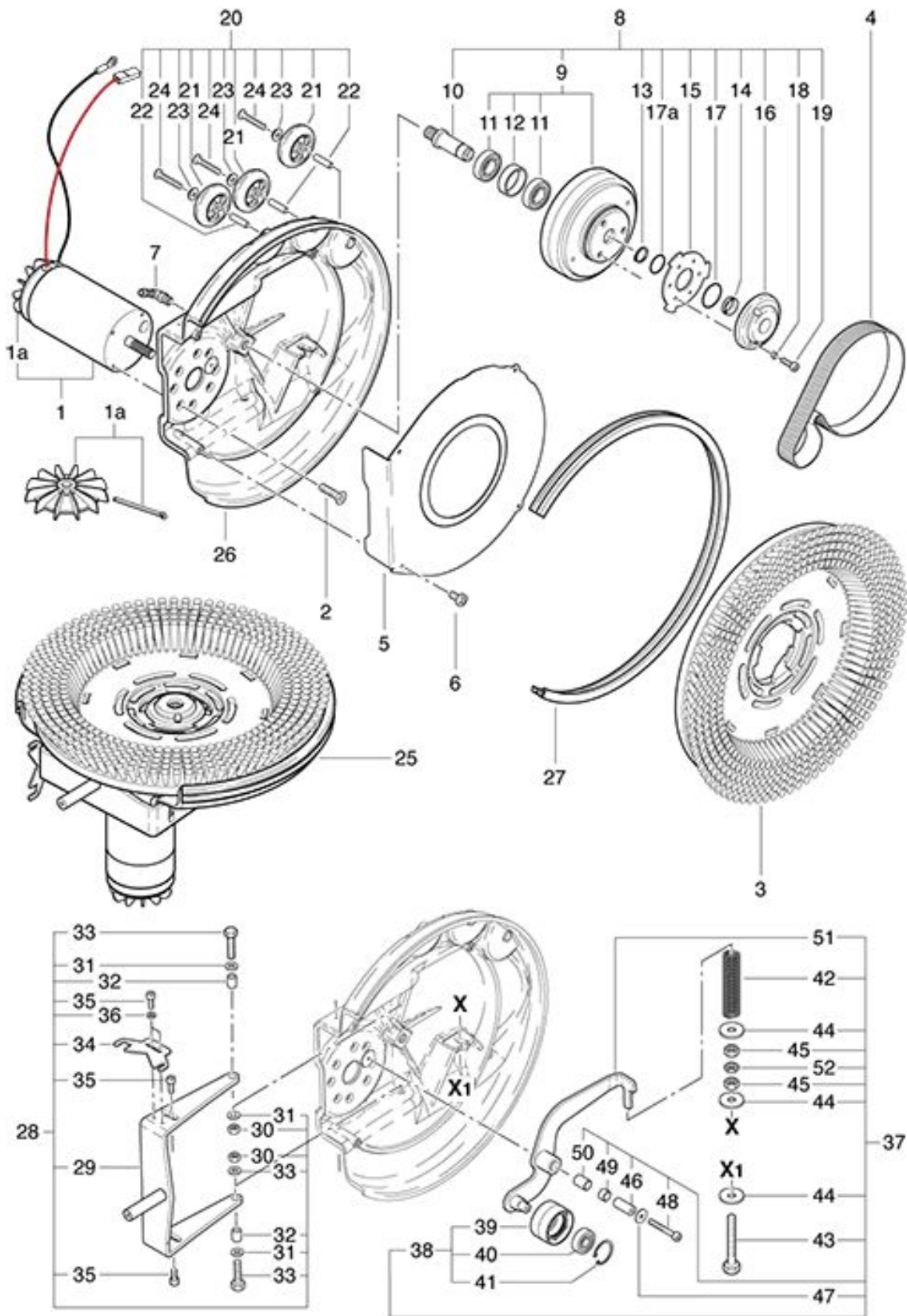
Brush head

As at: 02/16/16 Time:11:32

Pos.	Description	Reference
01	Motor 24V DC 600W including 1a	555.591
01a	Impeller Brush motor	565.593
02	Screw DIN 7991 M 8x20	P...479 RA
03	Brush PPN 0,6 Ø 51cm	730.059
04	Poly-V belt 15-PF-864mm Lw	6390520
05	Cover	555.595
06	Screw DIN 7985 M5x8	P...476 AC
07	Nipple 10/R 1/4"	P...541 J
08	Belt wheel compl.	555.124
09	Belt wheel	742.130
10	Bearing pin	555.592
11	Ball bearing 6205 2RS	P...316 P
12	Washer 15mm	3611851
13	Ring seal DIN 471 25/1,2	P...513 D
14	V-seal ring	P...343 A
15	Star wheel	742.141
16	Brush support	742.128
17	O-Ring 42,52x2,62 EPDM	P...964 B
17a	O-Ring 55,25x2,62 EPDM	P...964 A
18	Distance piece	742.129
19	Screw DIN 912 M6 x 20 A2	P...487 S
20	Distance roll assy.	555.580
21	Castor Ø 75	555.510
22	Socket	555.589
23	Washer SN 213912 M6 18/4,8	P...500 Q
24	Screw DIN 7991 M6x40	P...479 NA
25	Brush head compl.	555.500
26	Machined cast iron head	555.585
27	Buffer	555.598

RA 505 IBCT
Brush head-a

As at: 02/16/16 Time:11:33



RA 505 IBCT

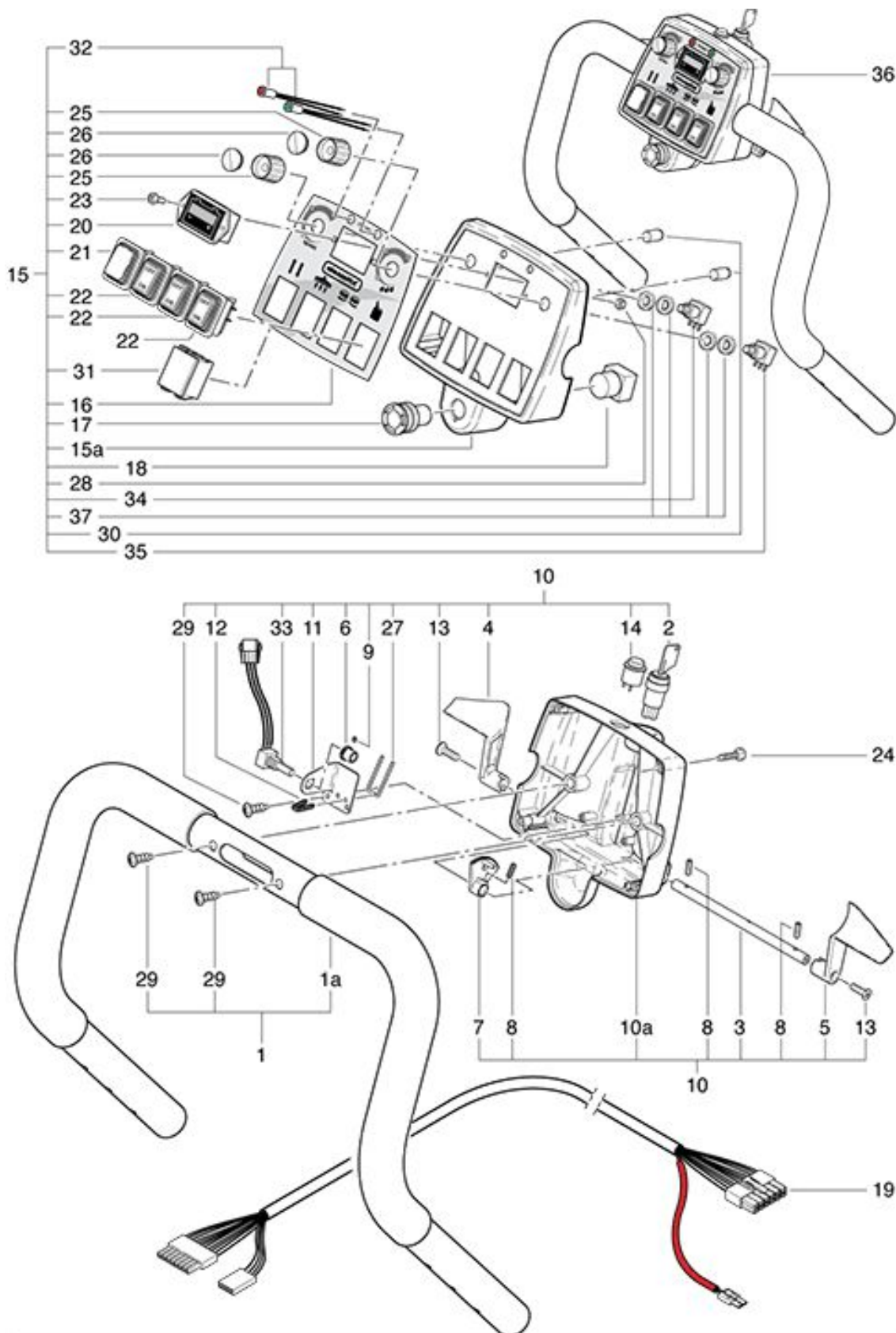
Brush head-a

As at: 02/16/16 Time:11:33

Pos.	Description	Reference
28	attachment brush head	555.550
29	Fork assy.	555.596
30	Nut DIN 934 M8	P...490 E
31	Washer DIN 125-A M8 8,4/16/1,6	P...496 P
32	bushing for fork	555.597
33	Screw DIN 933 M8 x 30 A2	P...473 G
34	comb	555.599
35	Screw DIN 912 M6 x 12	P...486 Q
36	Washer DIN 125-A M6 6,4/12/1,6	P...496 K
37	Belt tension compl.	555.600
38	Tension pulley compl.	742.116
39	Tension pulley	742.117
40	Ball bearing	P...316 O
41	Ring DIN 472 45,5/27,9/2	P...513 G
42	Languette de pression 2/4/76	565.516
43	Screw DIN 933 M 10x80	P...471 Y
44	Washer DIN 9021 M10 10,5/30/2,5	P...496 S
45	Nut DIN 934 M10	P...491 N
46	Cartridge	555.588
47	Washer DIN 522 M6 6,4/25/1,5 A2	P...510 L
48	Screw DIN 912 M6 x 45 mit Schaft	P...488 U
49	Floating bearing d16 GSM-1618-12	P...316 G
50	Floating bearing d16 GSM 1618-12	P...316 T
51	Tension lever	555.594
52	Nut DIN 439 D, M 10x0,50	P...491 R

RA 505 IBCT
Control unit

As at: 02/16/16 Time:11:33



RA 505 IBCT

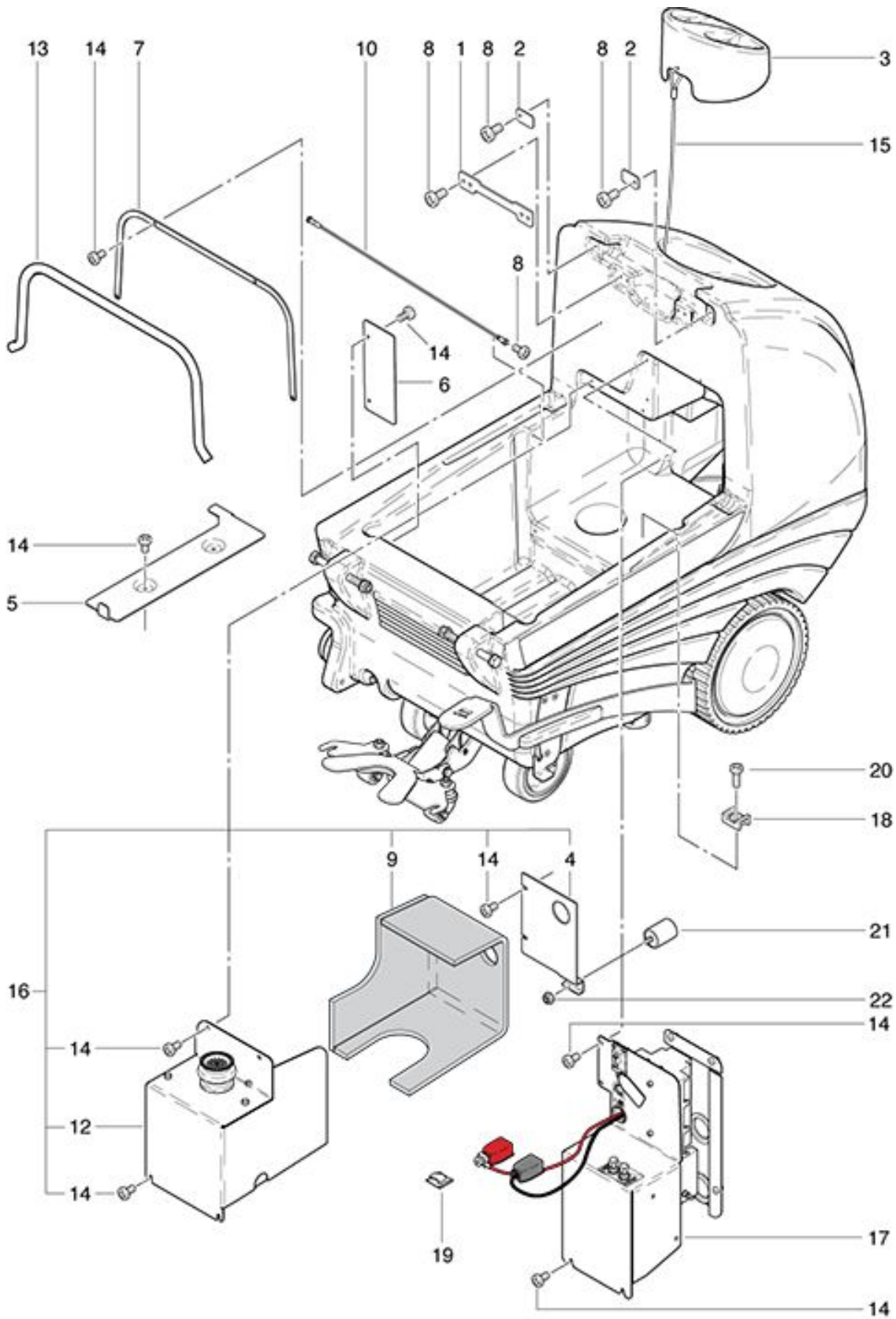
Control unit

As at: 02/16/16 Time:11:33

Pos.	Description	Reference
01	Binder compl.	565.215
01a	Binder	565.211
02	Key-switch	P...244 A
03	Axle	565.231
04	Start lever left	701.224
05	Start lever right	701.223
06	Upper bevel wheel	565.232
07	Lower bevel wheel	565.234
08	Brad DIN 427 M 4x8	P...484 DA
09	Brad DIN 916 M3 x A 2	P...482 Y
10	Panel rear part compl.	565.225
10a	Panel rear part	565.230
11	Holder	565.235
12	Extension spring 04/7/3 RZ-021 BI	565.233
13	Screw DIN 965 M 4x10	P...479 B
14	Button red	P...242 B
15	Panel front part compl.	565.224
15a	Panel front part	565.226
16	Cover plate for panel	565.227
17	Emergency-stob switch	565.229
18	Tactile contactor BZOO	565.228
19	Cable harness	565.238
20	Universal Trucharge Display Module	800.708
21	Switch 24V	P...239
22	Switch white 24V	P...241
23	Screw DIN 7985 M 3x8	P...476 O
24	Screw WN 1411 KA 30x12	P...516 E
25	Turning knob	560.372
26	Cover	560.373
27	Agraffe	565.223
28	Hexagon nut DIN 934 M 3	P...490 A
29	Screw WN 1411 KA 40x8	P...515 W
30	Brad DIN 7 8 x 15	P...514 I
31	Bottom studs black rectangular 35x25 mm	P...171 F
32	Set LED red, green 2.1V Ø 5 mm	P...415
33	Edited potentiometer 5kOhm	565.237
34	Potentiometer 100 kOhm	565.236
35	Edited 5kOhm potentiometer	565.119
36	Push bar with cable	565.200
37	Washer DIN 6798 A M 10, 105/18/0,9	P...498 O

RA 505 IBCT
Control unit vacuum motor

As at: 02/16/16 Time:11:33



RA 505 IBCT

Control unit vacuum motor

As at: 02/16/16 Time:11:33

Pos.	Description	Reference
01	Counter plate	565.468
02	Clamp metal plate	565.467
03	Measuring cup	565.466
04	Chicane air outlet	565.482
05	Cover for cables	565.473
06	Cover	565.472
07	Piston seal bow	565.469
08	Screw DIN 7985 M 6x10	P...476 Q
09	Sound insulation	565.483
10	Pull rope	565.471
12	Vacuumbbox compl.	565.670
13	Hose 740mm	565.470
14	Screw DIN 7985 M 5x8	P...476 AC
15	Rope for Measuring cup	565.464
16	Vacuum motor	565.480
17	Control unit	565.490
18	Support for cable tie	125.111
19	Support for cable	P...360
20	Screw DIN 7985 M 5x8	P...476 AC
21	Buffer 20x30mm M6 Typ B	400.214
22	Nut DIN 985 M6 A2	P...492 K