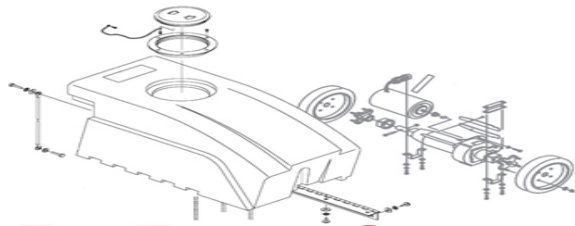


ENGLISH – ESPAÑOL - FRANÇAIS



FLOOR-EQUIPMENT-PARTS.COM



S8

Battery Sweeper
Motobarredora a batería
Balayeuse à batterie

Model No.:
9001213
9001400

Operator and Parts Manual
Manual de uso y recambios
Mode d'emploi et pièces détachées



9001215
Rev. 00 (03-05)

INDEX

<i>Technical features and specifications</i>	<i>Page 3</i>
<i>General information - key</i>	<i>Page 4</i>
<i>Safety warnings</i>	<i>Page 4</i>
<i>1.1 Safety labels</i>	<i>Page 5</i>
<i>1.2 Serial number and CE marking</i>	<i>Page 6</i>
<i>1.3 Introduction</i>	<i>Page 6</i>
<i>1.4 Unpacking the machine</i>	<i>Page</i>
<i>1.5 Consumables</i>	<i>Page 6</i>
<i>2.1 Preparing the machine for operation</i>	<i>Page 6</i>
<i>3.1 Controls</i>	<i>Page 7</i>
<i>4.1 Operating machine</i>	<i>Page 8</i>
<i>4.2 While operating</i>	<i>Page 8</i>
<i>4.3 Cleaning the waste bins</i>	<i>Page 8</i>
<i>5.1 Routine maintenance</i>	<i>Page 9</i>
<i>5.2 Battery maintenance</i>	<i>Page 9</i>
<i>5.3 Filter maintenance</i>	<i>Page 10</i>
<i>5.4 Replacing and adjusting the side brush</i>	<i>Page 11</i>
<i>5.5 Replacing and adjusting the main brush</i>	<i>Page 11</i>
<i>5.7 Replacing and adjusting the belts</i>	<i>Page 12</i>
<i>5.8 Replacing the flaps</i>	<i>Page 13</i>
<i>5.9 Replacing the adjusting the traction cable</i>	<i>Page 13</i>
<i>6.1 Wiring diagram S8</i>	<i>Page 14</i>
<i>6.2 Troubleshooting</i>	<i>Page 15</i>
<i>6.3 Scrapping the machine</i>	<i>Page 15</i>
<i>7.1 Parts List</i>	
<i>Warranty Card</i>	<i>Back cover</i>

Tennant Company
PO Box 1452
Minneapolis, MN 55440
Phone: (800) 553-8033 or (763) 513-2850
www.tennantco.com

TECHNICAL FEATURES AND SPECIFICATIONS

DESCRIPTION	S8	
Maximum width with side brush	838 mm	33 in
Maximum length with side brush	1219 mm	48 in
Maximum height with handlebar	1010 mm	39.75 in
Actual cleaning width with main brush	520 mm	20,5 in
Actual cleaning width with side brush	711 mm	28 in
Weight	89 kg	196 lbs
Capacity of the front waste bin	32 Lt	1,1 cu.ft
Capacity of the back waste bin	18 Lt	0,63 cu.ft
Run time	3.5 h	3.5 h
Filtering surface	0.046 m ²	0,5 sq.ft
Theoretical productivity	2500m ² /h	26,900 sq.ft./h
Installed power/Current drawn	21A on carpet – 18.5A on hard floor	21A on carpet – 18.5A on hard floor
Battery type	12V 70Ah / 5h	12V 70Ah / 5h
Noise level at operator ear	65 dBA	65 dBA
Vibrations	2.5 m/Sec ²	2.5 m/Sec ²

SAFETY PRECAUTIONS:

This machine is intended for commercial use only. It is designed to pick up dirt, dry debris and dust from dry hard floor or carpeted surfaces in an indoor environment. It is not constructed for any other use. The pick up of any type of liquid substance or dangerous/ toxic materials is prohibited.

All operators must read, understand and practice the following safety precautions.

The following warning alert symbol and the "FOR SAFETY" heading are used throughout this manual as indicated in their description:



WARNING: To warn of hazards or unsafe practices which could result in severe personal injury or death.

FOR SAFETY: To identify actions which must be followed for safe operation of equipment.

Failure to follow these warnings may result in: personal injury, electrocution, electric shock, fire or explosion:



WARNING: Do Not Operate Machine In Or Near Flammable Liquids, Vapors Or Combustible Dusts.

This machine is not equipped with explosion proof motors. The electric motors will spark upon start up and during operation which could cause a flash fire or explosion if machine is used in an area where flammable vapors/liquids or combustible dusts are present.



WARNING: Do Not Pick Up Flammable Or Toxic Material, Burning Or Smoking Debris.



WARNING: Do Not Charge Batteries With Damaged Power Cord. Do Not Modify Plug.

If the charger supply cord is damaged or broken, it must be replaced by the manufacturer or it's service agent or a similarly qualified person in order to avoid a hazard.



WARNING: Disconnect Battery Cables and Unplug Charger Power Cord Before Servicing Machine.



WARNING: Do Not Use Outdoors Or On Wet Surfaces. Do Not Expose To Rain. Store Indoors.

The following information signals potentially dangerous conditions to the operator or equipment:

FOR SAFETY:

- 1. Do not operate machine:**
 - In flammable or explosive areas.
 - Unless trained and authorized.
 - Unless operation manual is read and understood.
 - If not in proper operating condition.
 - Without hopper and/or filters in place.
- 2. Before starting machine:**
 - Make sure all safety devices are in place and operate properly.
- 3. When using machine:**
 - Do not pick up burning or smoking debris, such as cigarettes, matches or hot ashes.
 - Do not operate in standing water.
 - Report machine damage or faulty operation immediately.
 - Go slow on inclines and slippery surfaces.
 - Do not leave unattended or on an unlevel surface.
 - Do not pick up cables, strings, wires or other similar material.
 - Make sure area is illuminated.
 - Never allow children to play on or around.
 - Do not transport riders or objects.
 - Wear a dust mask, protective glasses and gloves in dusty environments.
- 4. Before leaving or servicing machine:**
 - Stop on level surface.
 - Turn off machine.
- 5. When servicing machine:**
 - Avoid moving parts. Do not wear loose jackets, shirts, or sleeves.
 - Disconnect battery connection and charger plug before working on machine.
 - Use manufacturer supplied or approved replacement parts.
 - All repairs must be performed by a qualified service person.
 - Do not modify the machine from its original design.
 - Wear protection gloves and safetyglasses when handling battery or battery cables.
 - Avoid contact with battery acid.
 - Do not operate machine on inclines that exceed a 2% grade
- 6. When transporting machine:**
 - Turn machine off.
 - Get assistance when lifting machine.
 - Use a recommended ramp when loading/unloading into/off truck or trailer.
 - Use tie-down straps to secure machine to truck or trailer.

1.1 –SAFETY LABELS

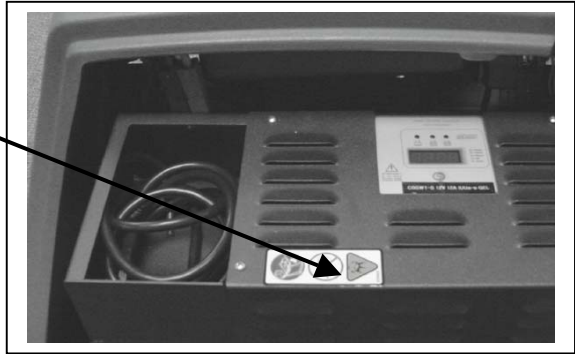
The safety label appears on the machine in the location indicated. Replace label if it is missing or if it becomes damaged or illegible.

BATTERY CHARGE LABEL

LOCATED ON TOP OF THE BATTERY CHARGER



WARNING: Fire Or Explosion Hazard. Batteries Emit Hydrogen Gas. Keep Sparks And Open Flame Away. Keep Battery Compartment Open When Charging.



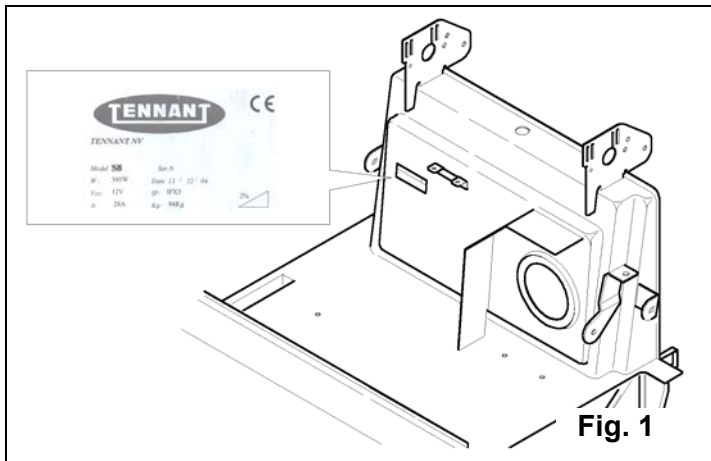
WARNING LABEL –

LOCATED ON BACK OF THE REAR PLASTIC COVER



1.2 -SERIAL NUMBER AND CE MARKING

Always ensure that the machine is provided with a rating plate giving the **serial number** and **CE marking** in the position shown in **Fig.1**. If this is not the case, notify your dealer immediately.



1.3 -INTRODUCTION

The purpose of this manual is to inform the operator of the basic rules, safety rules and criteria which must be observed when using, adjusting and maintaining the machine. The machine has been designed and manufactured to ensure an excellent performance and the utmost comfort and ease of operation in a variety of working conditions. Before delivery, the machine has been checked at our factory and by our dealer to make sure it is handed over to you in perfect working order. To maintain the machine in this condition and ensure problem free operation, it is essential to follow the routine maintenance instructions given in this handbook.

1.4 -UNPACKING THE MACHINE

Unpack the machine with the utmost care; avoid carrying out any operation that could damage it. Once it has been unpacked, check whether it is damaged. If you notice that it is not in correct working order, **DO NOT** use it and inform your dealer.

For packaging and transport purposes, some parts and accessories are supplied disconnected from the machine. To assemble them, carefully follow the instructions given in the relevant sections.

Contents of package:

- 1 Machine.
- 1 Side brush.
- 1 Instruction manual

Tool Kit Package: (p/n 9001420):

- 1x 4mm Allen key
- 1x 5mm Allen key
- 2x 10/13 combination wrench
- 2x M8screw and nut
- 2x Ignition key
- 1x Charger LED label

In the case in which one of the above mentioned parts is missing, please inform your dealer right away.

Take care to keep the packaging materials (bags, cartons, pallets, hooks, etc) **out of the reach of children.**

NOTE

For security reason during the transport, the starting keys are included in the envelop with the documents.

1.5 -CONSUMABLES

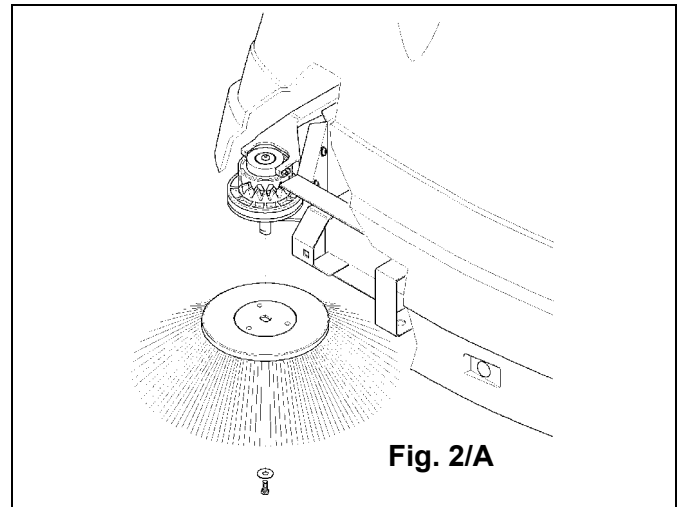
Reduction gear: MOVIBLAK 300 lithium grease with similar characteristics.

Lead Acid battery: Distilled water.

2.1 -PREPARING THE MACHINE FOR OPERATION

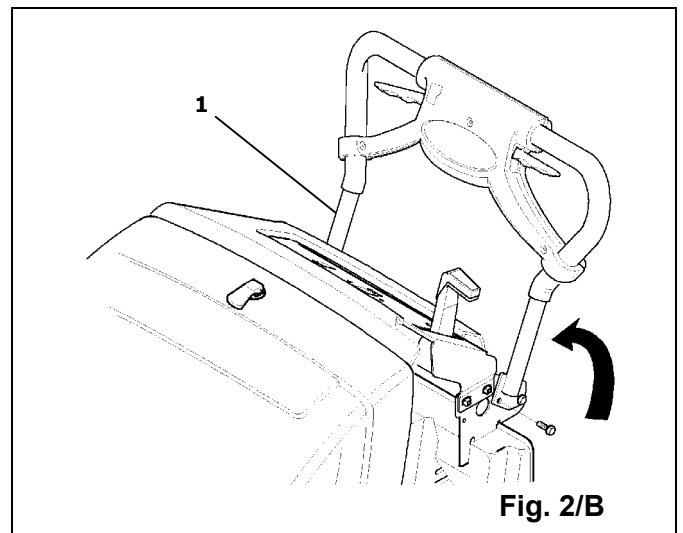
2.1.1 -Mounting the side brush

- Switch the brush lift lever (**1 Fig.3**), to **OFF**.
- Screw out the screw from the side brush shaft.
- Fit the brush on the shaft (Fig. 2/A).
- Screw on the screw and washer.



2.1.2 -Mounting the handlebar

- Withdraw the handlebar fixing screws.
- Lift the handlebar into the work position (**1 Fig.2/B**).
- Tighten the handlebar fixing screws.



3.1 - CONTROLS

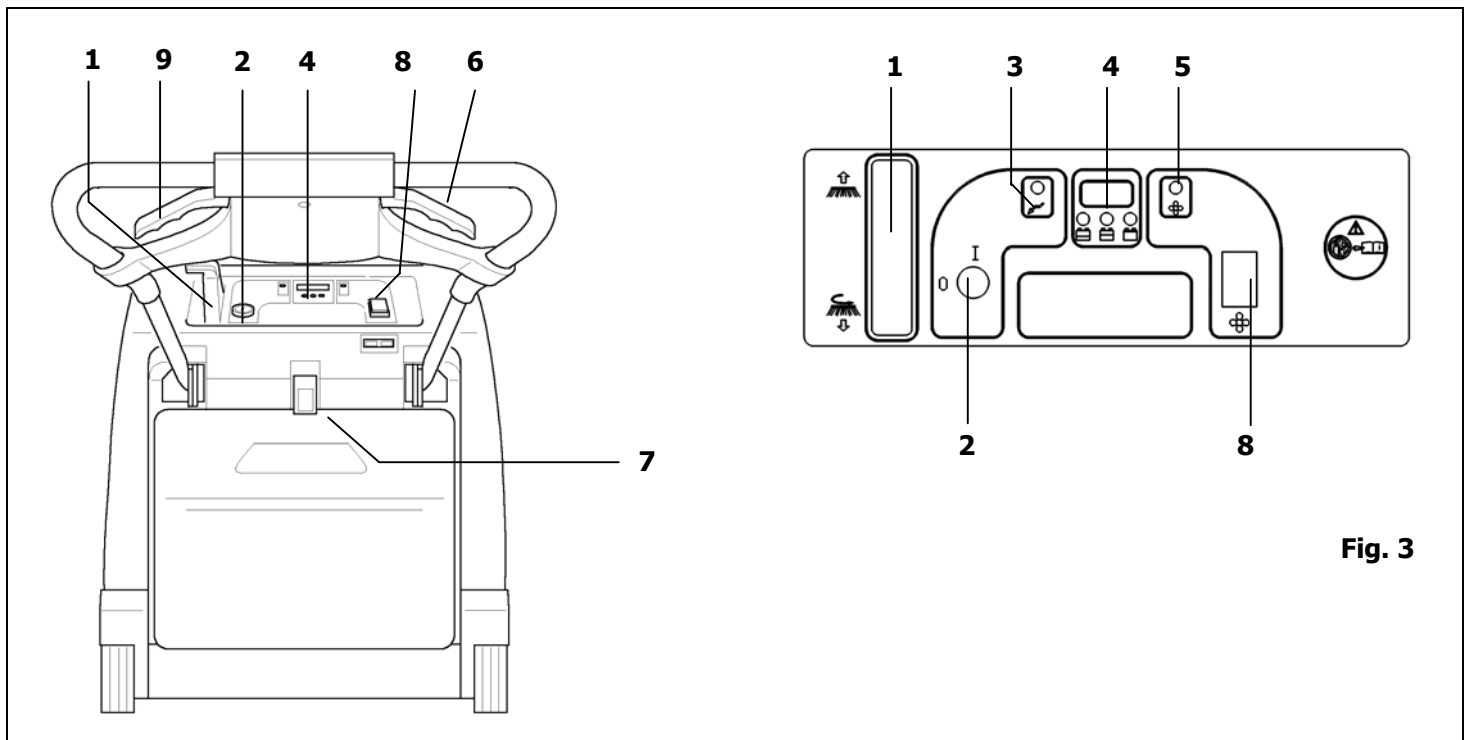


Fig. 3

- 1) Side brush control lever:** switch the lever to lower position and the side brush will move into the work position and start spinning. To stop the side brush, switch the lever to upper position.
- 2) Key switch:** turns power to the machine on.
- 3) Power indicator light .**
- 4) Charge indicator light** this light indicates the state of the battery during operation.
- 5) Vacuum indicator light.**
- 6) Traction lever:** By pulling this lever, the machine will start moving forward
- 7) Filter shaker lever:** this lever operates the filter shaker to clean the filter (see the section on filter maintenance).
- 8) Vacuum fan switch.**
- 9) Lever for the dust flap for bulky debris**

4.1 –OPERATING MACHINE

FOR SAFETY: Do not operate machine unless trained and authorized. When using machine, do not pick up liquids or leave unattended. Before leaving machine remove key and never allow children to play on or around

To start the machine carry out the following operations:

- Make sure the side brush **pos.1 Fig.3** is **0**.
- **Turn the switch pos.2 Fig.3 to position I**. Wait 10 seconds before operating machine.
- Before operating machine, check the indicator **pos.4 Fig.3**, to assess whether the battery is fully charged. If it is not, proceed to recharge it.
- Pull the traction lever **pos.6 Fig.3** , to start cleaning.

If necessary, operate lever **pos. Fig.3**, by turning it to **I position** , to start the side brush. If you have been using the side brush, at the end of your work remember to turn it to **0 position** . Switch off the machine and remove the key from the control panel.

An automatic device will prevent you from using the machine beyond a certain battery discharged limit.

When this limit is reached, the machine will stop **and the battery must be recharged**.

4.2 - WHILE OPERATING

After starting the machine, you are ready to start using the sweeper. To obtain best results, you should always take certain precautions. These will help you to get the best from your machine and reduce the risk of damage to a minimum.

In particular:

- FOR SAFETY: When using machine, do not pick up cables, strings, wires or other similar materials

- When using the machine on light but bulky material (sheets of paper, leaves, etc.), raise the front part of the machine by pressing down the handlebar so that the machine can tackle the rubbish.
- Use the dust flap lever to pick up bulky debris
- Operate the filter shaker at the end of your work (see the Panel filter section).
- Make sure the center brush is correctly adjusted (see the section on adjusting the center brush).

4.3 -CLEANING THE WASTE BINS

Before carrying out this operation, make sure the machine is turned off completely.

(*)ATTENTION: WASTE MUST BE DISPOSED OF STRICTLY IN ACCORDANCE WITH THE LAW.

4.3.1 -Front bin (fig.4)

- Lift and turn the two bin locks.
 - Grasp the handle/s and remove the bin by pulling it upwards.
 - Empty the bin (*).
- To put the bin back in place:
- Put the bin back in the machine from the top.
 - Turn and lower the two locks.

4.3.2 -Rear bin (fig.5)

- Lift and turn the two bin locks.
 - Grasp the handle and pull the bin out of the machine.
 - Empty the bin (*).
- To put the bin back in place:
- Fit the bin back into the machine.
 - Turn and press the two locks.

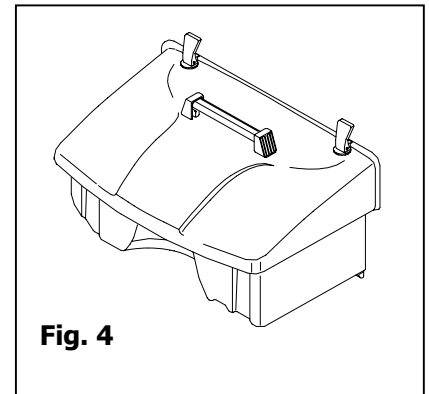


Fig. 4

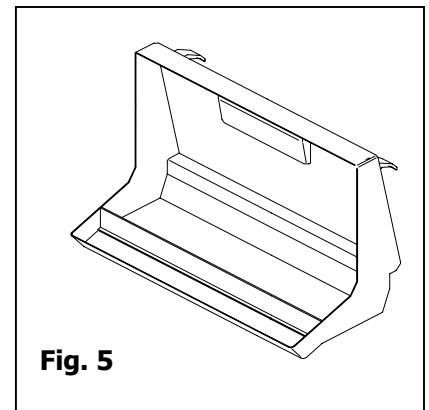


Fig. 5

5.1 - ROUTINE MAINTENANCE

FOR SAFETY: When servicing machine all repairs must be performed by an authorized service person. Use manufacturer supplied or approved replacement parts



WARNING: Disconnect Battery Cables and Unplug Charger Power Cord Before Servicing Machine

CHECK	On delivery	Every 10 hours	Every 50 hours	Every 100 hours	Every 200 hours	Every 1000 hours
Check the battery liquid (Lead Acid Battery)	X	X				
The belts for slackening				X		
Tightness of nuts and screws			X			
The brushes for wear			X			
The gaskets for wear and leakages		X				
If all the functions are in working order	X	X	X	X		
Check the state of the motor carbon brushes and replace them if they are worn.					X	
Replace the motor carbon brushes						X
Replace the filter					X	



Pict. 5.2.1



Pict. 5.2.2

5.2 -BATTERY MAINTENANCE

The battery must be kept clean and dry. Keep the terminals and poles clean. Every 10 hours, remove the caps and check the electrolyte level. If necessary top up with distilled water. The battery should be serviced in a properly ventilated area. During this operation, do not expose the battery to open flames and do not smoke. The battery charge should last about 3 hours; if you notice that it is much shorter, check that:

- * the brushes are not obstructed;
- * the battery is completely charged.

5.2.1 -BATTERY RECHARGE



WARNING: Batteries Emit Hydrogen Gas. Keep Sparks And Open Flame Away. Keep Battery Compartment Open When Charging

(for lead acid battery only)

When the machine is off

- Remove the caps from the battery cells.
- Add distilled water and replace caps.
- Connect battery charger cord (pict.5.2.1).

FOR SAFETY: When Servicing machine avoid contact with battery acid. Wear protective gloves and eye protection when handling batteries or battery cables.

IMPORTANT: The on-board battery charger is factory set to accommodate a GEL battery. To use a WET (lead acid) battery with the machine, the charger's internal dipswitches must be reconfigured as shown below. Failure to follow these instructions will result in battery damage.

WET (LEAD ACID) BATTERY DIPSWITCH PANEL CONFIGURATION



GEL BATTERY DIPSWITCH CONFIGURATION



The dip-switches are situated under the square display label on the battery charger (see pict. 5.2.2)

The length of time the battery charge lasts will depend on its routine maintenance and on its discharge level. Do not allow the battery charge to drop below the limit signalled by the indicator lights **pos.4 Fig.3**. Once the max. discharge level has been reached, the machine stops and must be recharged in order to restart working.

Charge indicator lights

Green light: The battery is charged.

Yellow light: The battery is running out; recharge as soon as possible.

Red Light: The battery has run out. **DO NOT** continue to operate the machine, recharge immediately.

5.3 -FILTER MAINTENANCE

Cleaning the filter

The filter is one of the machine's main components. It is essential to achieve the best results from your machine. If you notice that dust forms when the machine is at work, check the filter.

The filter is cleaned as follows:

Press and release the lever of the appropriate filter shaker **pos.7 Fig. 3** .

The lever operates a rod that will unplug the filter. Repeat this operation 5 or 6 times.

ATTENTION: the filter features an arrow that shows you the direction in which it should be fitted (**4 Fig.6**).

Dusty environments

If you are using the machine in a particularly dusty environment it is wise to use the filter shaker more frequently.

Replacing the filter

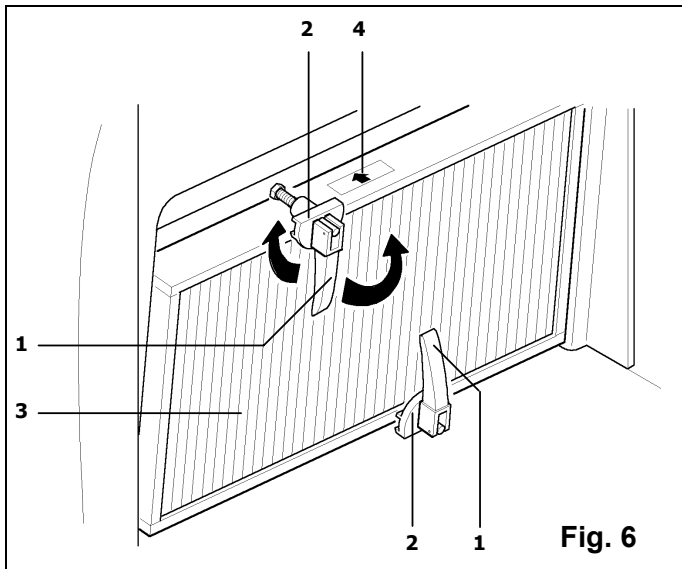
Every 200 hours of work, the filter must be replaced.

Follow the **fig.6**:

- open the handles **1**
- turn of 180° the holders **2**
- replace the filter **3**
- arrow **4** must follow the air flow "from the external to the internal of the machine"

After the filter has been assembled, make sure the gasket and filter are dust tight.

WASTE MUST BE DISPOSED OF IN ACCORDANCE TO THE LAW.



5.4 -REPLACING AND ADJUSTING THE SIDE BRUSH

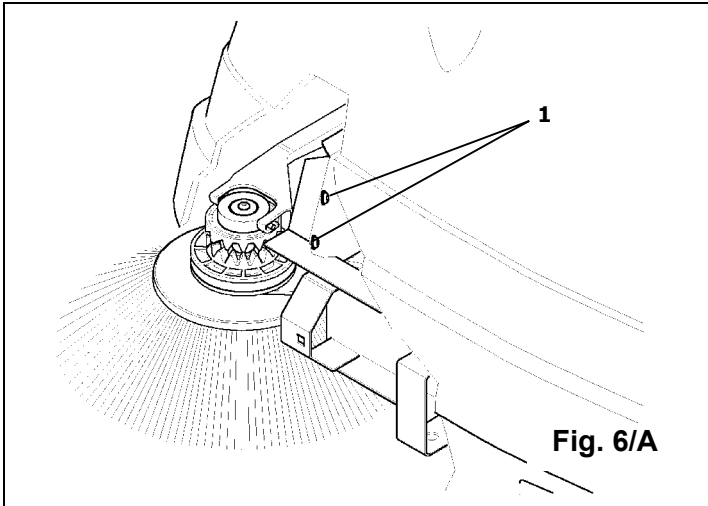
Replacing

After lifting the front part of the machine, replace the side brush by removing the brush fixing screw **Fig.2/A**, and removing the brush. Replace the brush and secure the new one in place with the screw and its washer.

Adjusting

The side brush is adjusted by slackening the screws **pos.1 Fig.6/A** and using the slots to position the brush at the required height.

Once you have positioned it, tighten the two screws.



5.5 -REPLACING AND ADJUSTING THE MAIN BRUSH

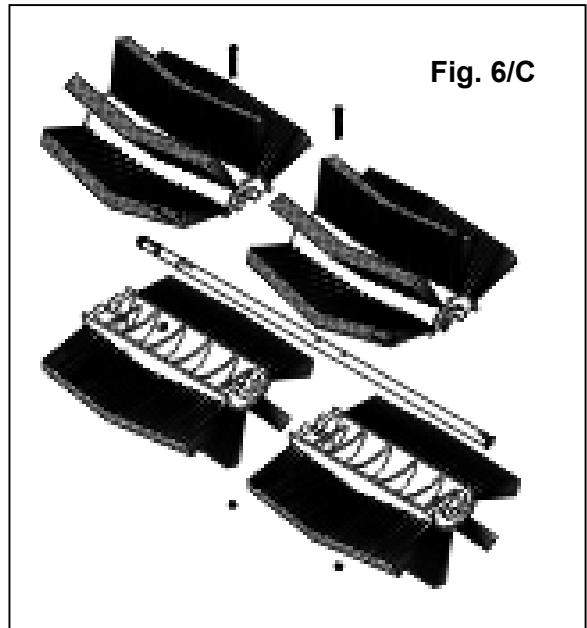
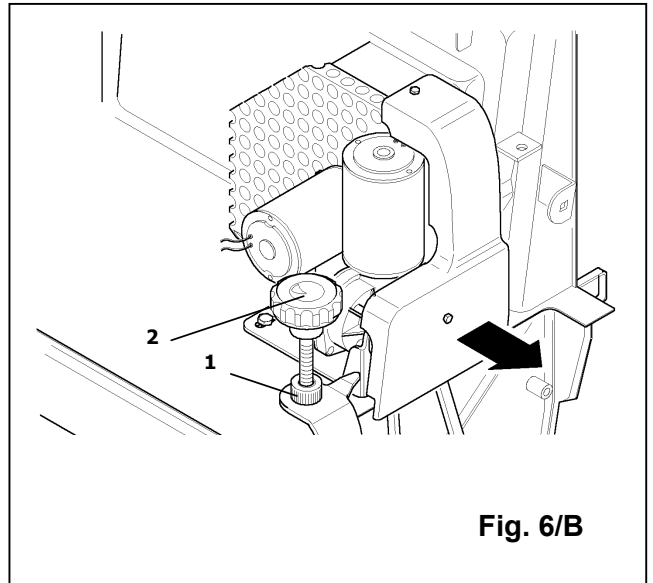
Replacing (Fig.6/C)

To replace the main brush, remove the front bin and slacken the four fixing screws to remove the brush.

When mounting a new brush, pay attention to the direction in which the brush will spin: it must direct dirt toward the centre of the machine.

Adjusting (Fig.6/B)

To adjust the main brush, remove the top guard, slacken the lock nut **pos.1 Fig.6/B** and turn adjusting handle **pos.2 Fig.6/B** in the direction required (counter clockwise to increase pressure). Once the brush has been adjusted, tighten the lock nut again.



5.7 -REPLACING AND ADJUSTING THE BELTS

To prepare the machine for belt replacement, carry out the following operations:

- remove the top cover and the front bin.

5.7.1 -Replacing the side brush belt

- Remove the right wheel, screw out the screws that fix the bumper and the lateral right guard and remove them. Once the machine is disassembled, proceed with the substitution of the broken belt.
- Remove belt **pos.1 Fig.9** from pulley **pos.2 Fig.9**.
- Loosen fixing pin **pos.3 Fig.9** and let the hooks of side arm **pos.4 Fig.9** come out of the idle toothed ring.
- Remove belt **pos.1 Fig.9** from side arm **pos.4 Fig.9**.
- Replace the belt.
- Hook side arm **pos.4 Fig.9** to the idle toothed ring.
- Tighten pin **pos.3 Fig.9**.
- Using the key cod. 9001451 (not included in the supply) stretch the belt **pos.1 Fig.9/A** and put it again on the pulley **pos.2 fig.9/A** .

5.7.2 -Replacing the drive belt

- Remove the left wheel, screw out the screws that fix the bumper and the lateral left guard and remove them. Once the machine is disassembled, proceed with the substitution of the broken belt.
- Remove the guard **pos.1 Fig.10/A** .
- Remove belt **pos.2 Fig.10/B**.
- Insert the new belt on the pulleys **pos.3-4 Fig.10/B**.

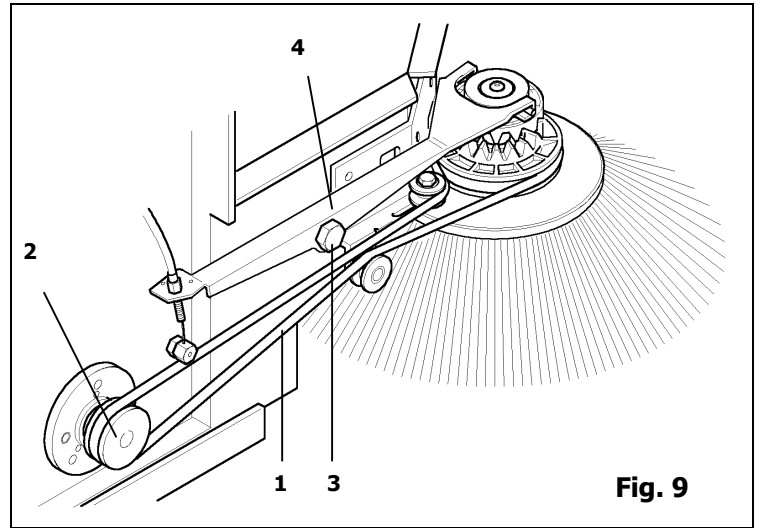


Fig. 9

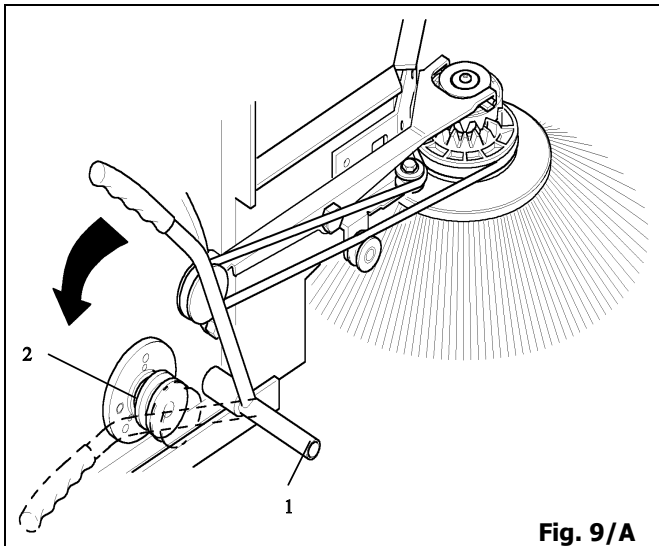


Fig. 9/A

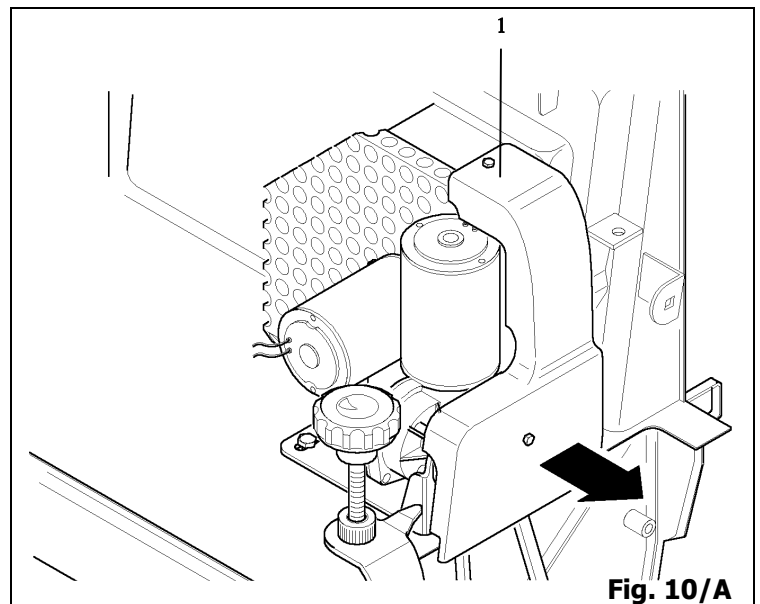


Fig. 10/A

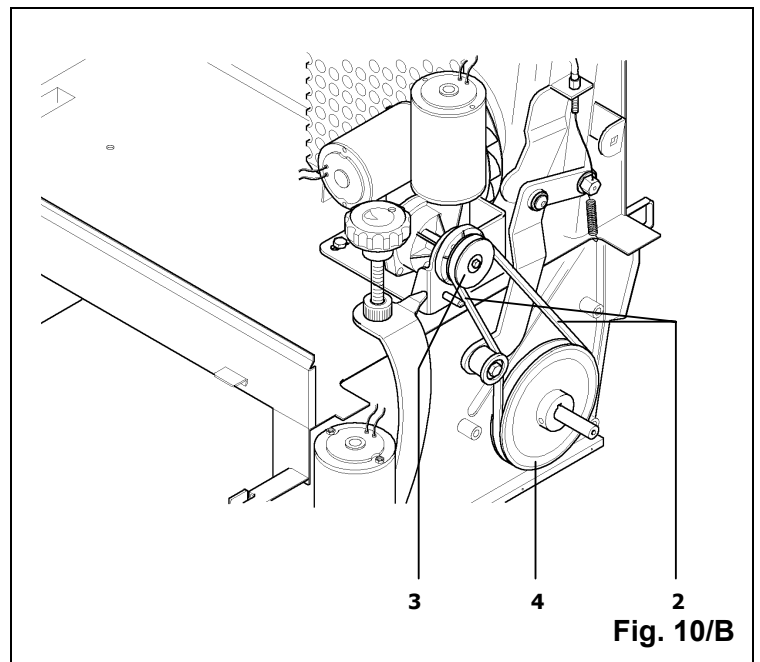


Fig. 10/B

5.8 -REPLACING THE FLAPS

5.8.1 -Outer side flaps

To replace the side flaps **pos.1 Fig.11** , remove the rear wheels and the relevant side guards. Loosen the screws that secure the flaps to frame **pos.2 Fig.11** and replace the old flaps with new ones.

5.8.2 -Inner side flaps

To replace the inner side flaps **pos.5 Fig.11** , lift the front part of the machine and loosen screws **pos.6 Fig.11** that secure the flaps to the frame. Replace the old flaps with new ones.

5.8.3 -Center flaps

- Remove the rear wheels and the relevant side guards.
- Remove the rear door.
- Loosen the two **flap fixing pins pos.3 Fig.11**, located on the sides of the frame.
- Grasp flap **pos.4 Fig.11** and pull it outwards.

Remounting:

- Fit the flaps in the same direction in which they are removed.
- Insert the two references in their holes.
- Tighten the two fixing pins and reassemble the machine.

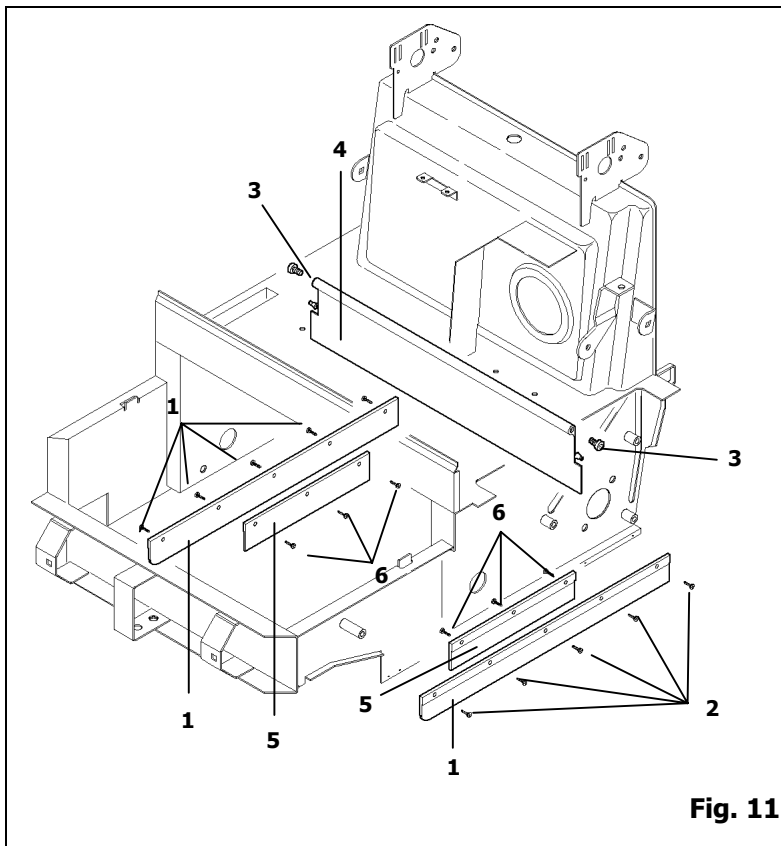


Fig. 11

5.9 -REPLACING THE TRACTION CABLE

5.9.1 -Remove the traction cable as follows

To replace the traction cable proceed as follows:

- Remove the upper bonnet of the machine.
- Loosen the security dowel located on the cable fixing pin.
- Pull the cable out of the fixing pin and remove the adjusting screw mounted on the handle.

To remount the cable:

- Fit one end of the cable into the adjustment screw of the handle (i.e. the end without the blocking ball).
- Insert the cable into its sheath.
- Hook the blocking ball to the handle.
- Slot the cable through the turned adjustment screw secured to the machine frame and then through the fixing pin.
- Tighten the security dowel.

The position of the cable is adjusted by acting on the two adjustment screws.

5.9.2 -Replacing the side brush lifting cable

To replace the side brush lifting cable, proceed as follows:

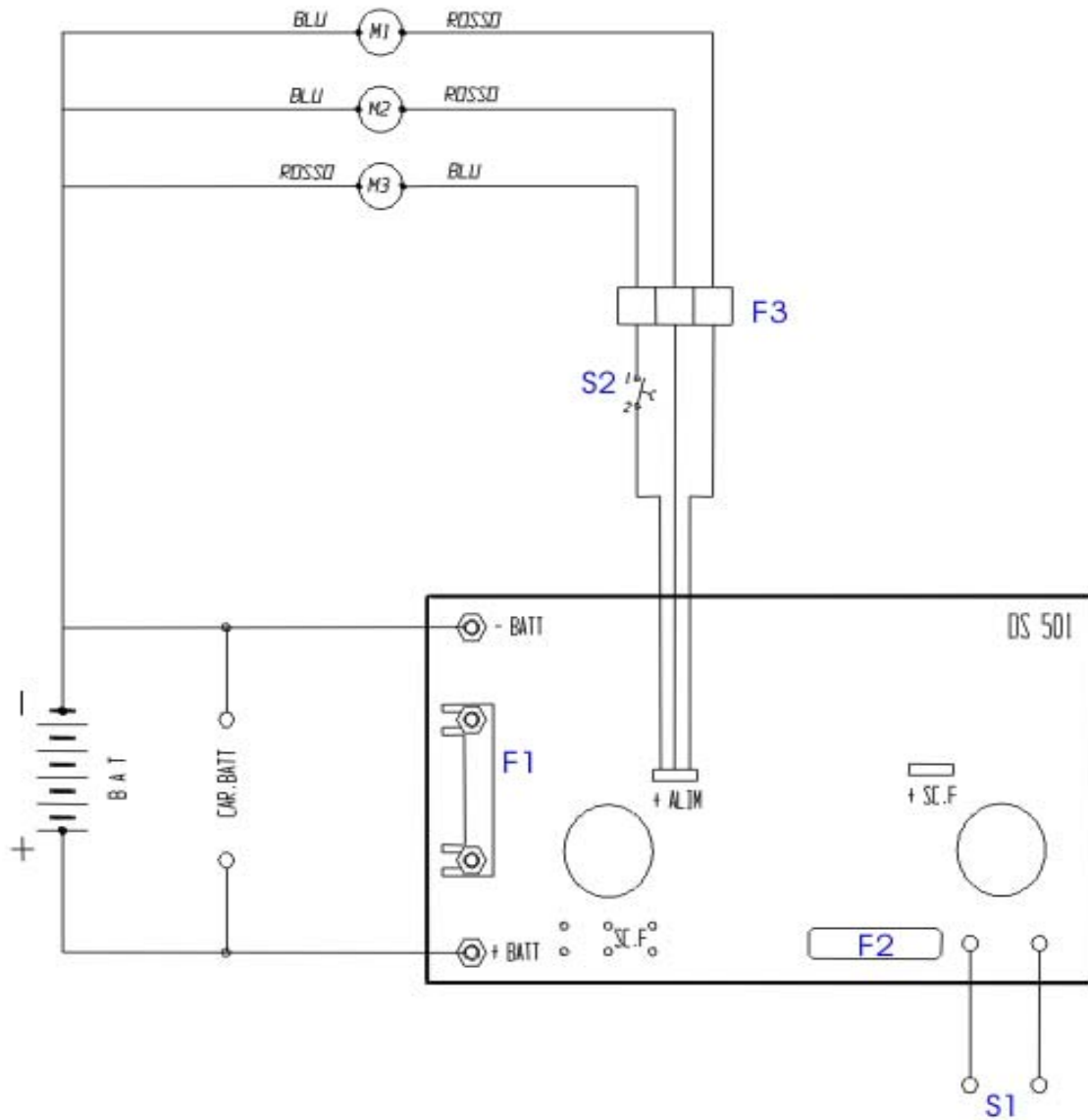
- Remove the upper cover and the front bin of the machine.
- Remove the front bumper, the right wheel and the right hand side guard.
- Loosen the cable clamp.
- Loosen the security dowel on the fixing pin.
- Remove the handle from the support and open it up.
- Pull the cable out of the two sheaths.

To remount the cable:

- Put the cable inside the handle.
- Close up the handle and fix it to its support.
- Insert the cables into their sheaths.
- Secure one end of the cables in place with the clamp and the other end with the fixing pin.

The position of the cable is adjusted by acting on the two adjustment screws.

6.1.1 - WIRING DIAGRAM



M1 Main brush motor

M2 Traction motor

M3 Fan motor

F1 50A Bar fuse

F2 1A/250V fuse

F3 30A fuse

S1 Key switch

S2 Fan switch

Car.Batt Battery recharge socket

6.2 -TROUBLESHOOTING

FAULT	CAUSE	REMEDY
The main brush is not spinning	The belt is broken	Replace
	The reduction gear has burnt out	Contact service center
	A wire is detached	Contact service center
The side brush is not spinning	The belt is broken	Replace
The battery does not stay charged	The liquid is insufficient (for lead acid battery)	Top up
	The terminal is loose	Tighten
Dust comes out of the fan	The filter is broken	Replace
	The filter is in the wrong position	Position correctly
	The gaskets are worn	Replace
The brushes wear out too quickly	The brushes are too low	Adjust
Dust given off while the machine is in operation	The flaps are worn	Replace
	Clogged filter	Clean
The vacuum motor does not work	The motor has burnt out	Contact service center
	The wire is disconnected	Contact service center
The machine does not come on	The battery terminals are disconnected	Check
	The battery is discharged	Recharge

6.3 -SCRAPPING THE MACHINE

In the event the machine must be scrapped, please remember that batteries are not common waste materials. They must be disposed of in accordance with the relevant laws.

The machine is composed of different parts. Dismantle it and prepare the waste for disposal in accordance to their type.

DO NOT USE THE SCRAP PIECES AS SPARE PARTS. KEEP SCRAPS OUT OF REACH OF CHILDREN.

NOTE

In case of other malfunctions, contact the Authorized Service Center

ÍNDICE

<i>Datos y características técnicas</i>	<i>Pág. 17</i>
<i>Convenciones y leyenda</i>	<i>Pág. 18</i>
<i>Advertencias para la seguridad</i>	<i>Pág. 18</i>
<i>1.1 Etiquetas de seguridad</i>	<i>Pág. 19</i>
<i>1.2 Matrícula y marca CE</i>	<i>Pág. 20</i>
<i>1.3 Introducción</i>	<i>Pág. 20</i>
<i>1.4 Desembalaje</i>	<i>Pág. 20</i>
<i>1.5 Material consumible</i>	<i>Pág. 20</i>
<i>2.1 Preparación máquina</i>	<i>Pág. 20</i>
<i>3.1 Mandos</i>	<i>Pág. 21</i>
<i>4.1 Puesta en marcha</i>	<i>Pág. 22</i>
<i>4.2 Operaciones para un funcionamiento correcto</i>	<i>Pág. 22</i>
<i>4.3 Limpieza de los cajones de los residuos</i>	<i>Pág. 22</i>
<i>5.1 Mantenimiento ordinario</i>	<i>Pág. 23</i>
<i>5.2 Mantenimiento batería</i>	<i>Pág. 23</i>
<i>5.3 Mantenimiento del filtro</i>	<i>Pág. 24</i>
<i>5.4 Sustitución y regulación del cepillo lateral</i>	<i>Pág. 25</i>
<i>5.5 Sustitución y regulación del cepillo central</i>	<i>Pág. 25</i>
<i>5.7 Sustitución y regulación de las correas</i>	<i>Pág. 26</i>
<i>5.8 Sustitución de los flaps</i>	<i>Pág. 27</i>
<i>5.9 Sustitución y regulación de los cables</i>	<i>Pág. 27</i>
<i>6.1 Esquema eléctrico S8</i>	<i>Pág. 28</i>
<i>6.2 Tabla problemas - causas - soluciones</i>	<i>Pág. 29</i>
<i>6.3 Desguace de la máquina</i>	<i>Pág. 29</i>
<i>7.1 Lista de recambios</i>	

Garantía

reverso de cubierta

Tennant Company
PO Box 1452
Minneapolis, MN 55440
Phone: (800) 553-8033 or (763) 513-2850
www.tennantco.com

DATOS Y CARACTERÍSTICAS TÉCNICAS

DESCRIPCIÓN	S8	
<i>Anchura máxima con cepillo lateral</i>	838 mm	33 in
<i>Longitud máxima con cepillo lateral</i>	1219 mm	48 in
<i>Altura máxima con mango</i>	1010 mm	39.75 in
<i>Anchura de limpieza con cepillo central</i>	520 mm	20,5 in
<i>Anchura de limpieza con cepillo lateral</i>	711 mm	28 in
<i>Peso</i>	89 kg	196 lbs
<i>Capacidad contenedor delantero residuos</i>	32 Lt	1,1 cu.ft
<i>Capacidad contenedor trasero residuos</i>	18 Lt	0,63 cu.ft
<i>Autonomía de trabajo</i>	3,5 h	3.5 h
<i>Superficie filtrante</i>	0,046 m ²	0,5 sq.ft
<i>Productividad teórica</i>	2500m ² /h	26,900 sq.ft./h
<i>Potencia instalada / Absorción</i>	21A en moquetas 18.5A en pisos duros	21A en moquetas 18.5A en pisos duros
<i>Tipo de baterías</i>	12v 70Ah/5h	12v 70Ah/5h
<i>Ruido</i>	65dB	65dB
<i>Vibraciones</i>	2.5 m/Sec ²	2.5 m/Sec ²

ADVERTENCIAS:

Esta máquina está destinada a un empleo exclusivamente comercial. Su función es recoger la suciedad, los residuos secos y el polvo de las superficies secas, pavimentadas o revestidas de moqueta, en interiores. No debe utilizarse para otros fines. No utilice la máquina para aspirar líquidos, materiales peligrosos o tóxicos.

Los operadores deberán leer, conocer y respetar las siguientes advertencias.

En este manual, el símbolo de advertencia, mostrado abajo, y la frase "ADVERTENCIAS DE SEGURIDAD" se utilizan con los siguientes significados:



ATENCIÓN: advierte acerca de peligros o procedimientos peligrosos que podrían provocar lesiones graves o la muerte de personas.

ADVERTENCIA DE SEGURIDAD: indica los procedimientos a seguir para utilizar la máquina respetando la seguridad.

De no respetarse dichas advertencias pueden causarse lesiones, electrocuciones, descargas eléctricas, incendios o explosiones:



ATENCIÓN: no accione la máquina si hay líquidos o vapores inflamables, o polvos combustibles.

La máquina no está dotada de motores a prueba de explosión. La chispa generada en los motores eléctricos, al encenderse y durante el funcionamiento, podría provocar un incendio o explosión si la máquina se utiliza en presencia de líquidos /vapores inflamables o polvos combustibles.



ATENCIÓN: no aspire materiales tóxicos o inflamables, residuos encendidos o humeantes.



ATENCIÓN: no cargue las baterías si el cable de alimentación estuviera averiado. No modifique el enchufe.

Si el cable de alimentación del cargador de baterías estuviera arruinado o roto, hágalo sustituir por el fabricante, por un centro de asistencia autorizado o por un técnico cualificado.



ATENCIÓN: antes de cualquier trabajo, desconecte los cables de la batería y el cable de alimentación del cargador de batería.



ATENCIÓN: no utilice la máquina al aire libre o sobre superficies mojadas. No exponga la máquina a la lluvia. Colóquela bajo techo.

Las informaciones indicadas a continuación indican condiciones potencialmente peligrosas para el operador o para el equipo:

MEDIDAS DE SEGURIDAD :

- No utilice la máquina:**
 - si hay sustancias inflamables o explosivas.
 - si no recibió una formación específica o no está autorizado.
 - si no leyó detenidamente el manual de uso.
 - si la máquina no está en perfectas condiciones.
 - si falta un cajón o los filtros.
- Antes de encender la máquina:**
 - Compruebe que los dispositivos de seguridad estén montados y que funcionen correctamente.
- Cuando la máquina está funcionando:**
 - No aspire residuos encendidos o humeantes, cigarrillos, cerillas o brasas.
 - No utilice la máquina para aspirar líquidos.
 - Informe de inmediato sobre posibles averías o daños .
 - Proceda lentamente sobre las superficies inclinadas o resbaladizas.
 - No deje la máquina sin vigilancia o sobre superficies en pendiente.
 - No utilice la máquina para recoger hilos, cuerdas, flejes o material similar.
 - Compruebe que la zona de trabajo esté bien iluminada.
 - Mantenga la máquina lejos del alcance de los niños.
 - No transporte personas ni cosas.
 - En locales polvorientos, póngase gafas y guantes protectores.
- Antes de alejarse de la máquina o antes de los trabajos de mantenimiento:**
 - Detenga la máquina sobre una superficie plana.
 - Apague la máquina.
- Durante los trabajos de mantenimiento y reparación:**
 - Manténgase lejos de las piezas móviles. No se ponga chaquetas, camisas ni prendas con mangas que podrían engancharse.
 - Antes de trabajar en la máquina, desconecte la batería y el conector del cargador de baterías.
 - Utilice piezas de recambio originales o aprobadas.
 - Las reparaciones serán efectuadas por un técnico cualificado.
 - No modifique de ninguna manera la máquina.
 - Para tocar la batería o sus cables, póngase guantes y gafas protectoras.
 - Evite el contacto con el ácido de la batería.
 - No accione la máquina en pendientes que superen el 2%.
- Durante el transporte de la máquina:**
 - Apague la máquina.
 - Hágase ayudar para levantarla.
 - Para cargar/descargar la máquina en/de un camión o un remolque, utilice una rampa adecuada.
 - Sujete la máquina en el camión o remolque con correas adecuadas.

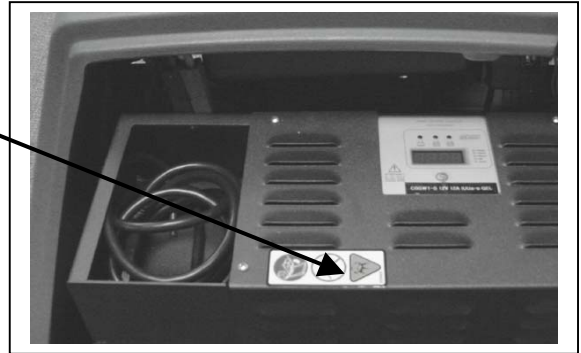
1.1 – ETIQUETAS DE SEGURIDAD

La etiqueta de seguridad está situada en la máquina, en el punto indicado. Si se arruinara o se perdiera, sustitúyala.

ETIQUETA PARA EL CARGADOR DE BATERÍA - SITUADA ENCIMA DEL CARGADOR DE BATERÍA



ATENCIÓN: peligro de incendio o explosión. Las baterías emiten hidrógeno. Colóquelas lejos de chispas y fuego. Cuando las recargue, mantenga abierto el alojamiento de la batería..

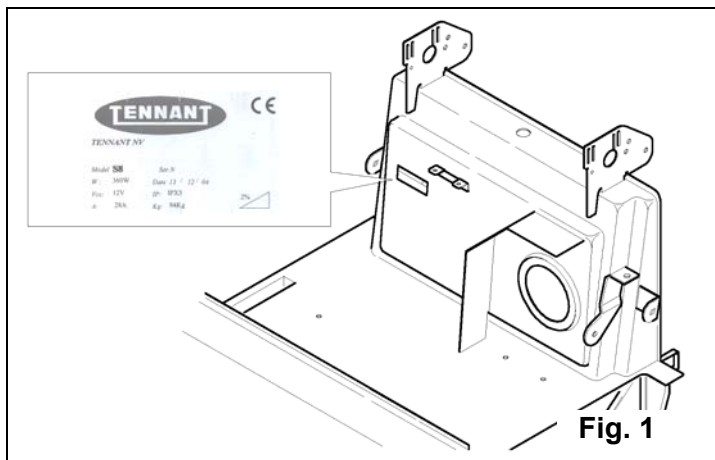


ETIQUETA DE ADVERTENCIA – SITUADA EN LA PARTE POSTERIOR DEL CÁRTER DE PLÁSTICO



1.2 - MATRÍCULA Y MARCA CE

Asegúrese de que la máquina esté provista de la placa en la que se indica el **número de serie** y la **marca CE**, colocada como en la **Fig. 1**. Por el contrario, comuníquelo enseguida al revendedor.



1.3 - INTRODUCCIÓN

Este manual de instrucciones tiene el objeto de servir como guía y contiene las informaciones útiles para la seguridad, funcionamiento, ajuste y mantenimiento de la máquina. Esta máquina ha sido diseñada y construida para garantizar las máximas prestaciones, confort y facilidad de trabajo en una gran variedad de condiciones. Antes de la entrega, la máquina ha sido controlada en fábrica y también por nuestro concesionario para garantizar que le sea entregada en perfectas condiciones. Para mantener la máquina en tales condiciones, o asegurar un trabajo exento de problemas, es indispensable que se respeten las operaciones de mantenimiento ordinario contenidas en este manual.

1.4 - DESEMBALAJE

Desembale la máquina con mucha atención, evitando maniobras que podrían averiarla. Una vez desembalada, compruebe la integridad de todas sus piezas. En caso contrario **NO** utilice la máquina y contacte con su revendedor. Por motivos de embalaje y transporte, algunas piezas y accesorios se entregan sueltos: para su montaje correcto siga las instrucciones contenidas en este manual en los párrafos respectivos.

Contenido del embalaje:

- 1 Máquina.
- 1 Cepillo lateral.
- 1 Manual de instrucciones

Herramientas de serie: (p/n 9001420):

- 1 llave allen de 4mm
- 1 llave allen de 5mm
- 2 llaves 10/13
- 2 tornillos y tuercas M8
- 2 llaves de encendido
- 1 etiqueta LED de recarga

Si notara que falta alguno de los componentes arriba mencionados, contacte inmediatamente con el revendedor.

NOTE

Asegúrese de que el material de embalaje (bolsas, cartones, paleta, ganchos, etc.) sea colocado en una zona adecuada **fuera del alcance de los niños**.

1.5 - MATERIAL CONSUMIBLE

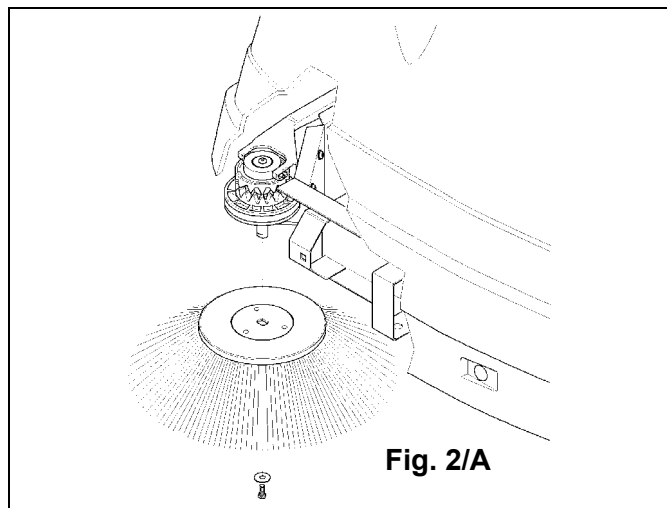
Motorreductor: Grasa al LITIO MOVIBLAK 300 o de características similares.

Batería: Agua destilada.

2.1 - PREPARACIÓN DE LA MÁQUINA

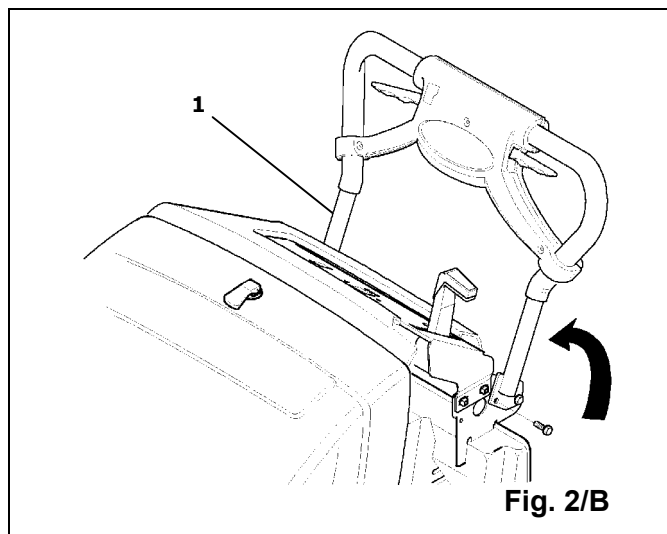
2.1.1 - Montaje del cepillo lateral

- Coloque la palanca que levanta el cepillo (**pos. 1 Fig. 3**) en posición **OFF**.
 - Desenrosque el tornillo del eje del cepillo lateral.
 - Coloque el cepillo sobre el eje (Fig. 2/A).
- Apriete el tornillo con la arandela.



2.1.2 - Montaje del manubrio

- Afloje los tornillos de fijación del manubrio.
- Levante el manubrio y colóquelo en posición de trabajo (**pos. 1 Fig. 2/B**).
- Enrosque los tornillos de fijación del manubrio.



3.1 - MANDOS Y REGULACIONES

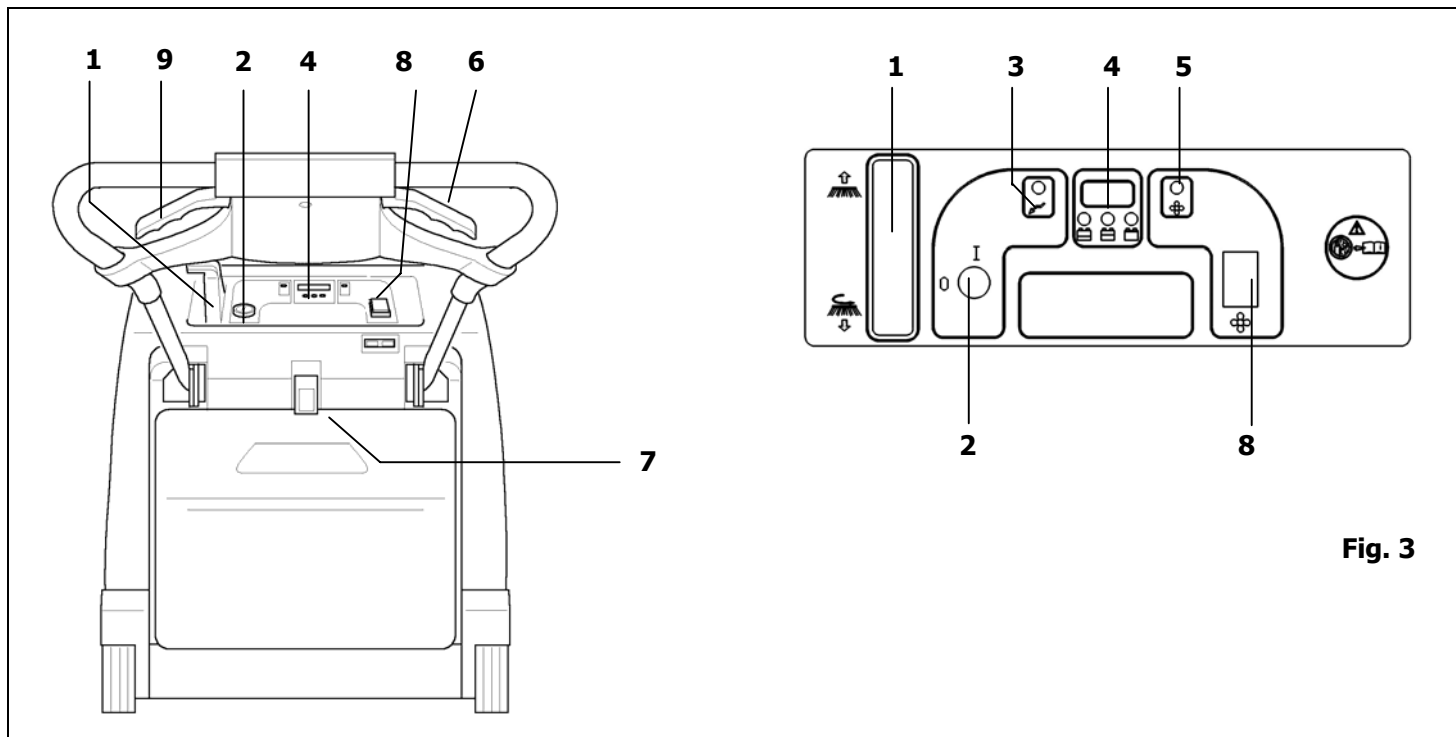


Fig. 3

1) Palanca de mando del cepillo lateral: colocando la palanca en la posición inferior, el cepillo lateral se coloca en posición de trabajo y comienza a girar. Para detener el cepillo, coloque la palanca en la posición superior.

2) Interruptor de llave: alimentación de la máquina.

3) Indicador de alimentación.

4) Indicador estado de carga (sólo en la versión eléctrica): indica la tensión de la batería durante el funcionamiento de la máquina.

5) Indicador del sistema de aspiración.

6) Palanca tracción: presionando esta palanca se transmite el movimiento a la máquina, la que comienza a avanzar.

7)) Palanca sacudidor de filtro: palanca para la limpieza del filtro (véase Mantenimiento del filtro).

8) Interruptor del sistema de aspiración.

9) Palanca alzaflap para recoger material voluminoso.

4.1 –PUESTA EN MARCHA

ADVERTENCIA DE SEGURIDAD: la máquina debe ser utilizada solamente por personal preparado y autorizado. No aspire líquidos ni deje la máquina encendida sin vigilancia. Quite la llave de encendido antes de alejarse de la máquina y manténgala lejos del alcance de los niños.

Para poner en marcha la máquina proceda de la siguiente manera:

- Controle que el cepillo lateral **pos. 1 Fig 3** esté en posición **0**.
- Coloque en posición I el interruptor pos. 2 Fig. 3. Espere unos 10" antes de accionar la máquina.
- Controle con el indicador **pos. 4 Fig. 3** que la batería esté completamente cargada antes de comenzar a trabajar; por el contrario, ponga a cargar la batería.

Tire de la palanca de tracción **pos. 6 Fig. 3** y comience a limpiar

Si es necesario, accione la palanca **pos. 1 Fig. 3** colocándola en **posición I** para activar el cepillo lateral. Al concluir el trabajo coloque, si la utilizó, la palanca del cepillo lateral en la **posición 0**. Apague la máquina y quite las llaves del tablero de mandos.

Un dispositivo automático impide utilizar la máquina al superar un determinado nivel de descarga de la batería. Alcanzado este límite, la máquina se detiene y **debe ser recargada** para poder volver a trabajar.

4.2 – OPERACIONES PARA UN FUNCIONAMIENTO CORRECTO

Después de haber efectuado las operaciones de primera puesta en marcha y encendido de la máquina, ahora puede empezar a trabajar con la barredora. Para obtener siempre el máximo rendimiento de la cepilladora, se aconseja seguir algunas indicaciones que mantendrán siempre la máquina al máximo nivel y reducirán al mínimo el riesgo de desperfectos en la máquina.

Es importante:

-ADVERTENCIAS DE SEGURIDAD: no recoja hilos, cuerdas, flejes o materiales similares.

- En presencia de objetos voluminosos y particularmente ligeros (papel, hojas, etc.) levante la parte anterior de la máquina presionando el manubrio durante todo el tiempo necesario para recoger los desechos.
- Utilice la palanca de accionamiento del flap para recoger materiales voluminosos.
- Sacuda el filtro al final del trabajo (véase Filtro de panel).
- Mantenga regulado el cepillo central (véase Regulación cepillo central).

4.3 - LIMPIEZA DE LOS CAJONES DE RESIDUOS

Antes de efectuar esta operación, asegúrese de que todas las funciones de la máquina estén apagadas.

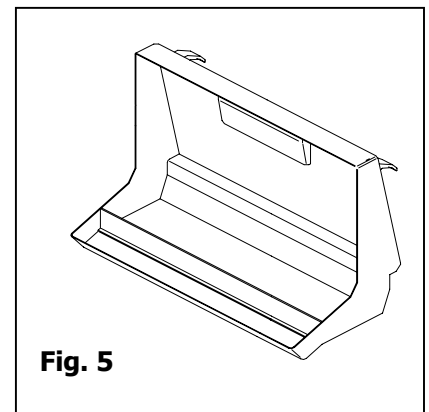
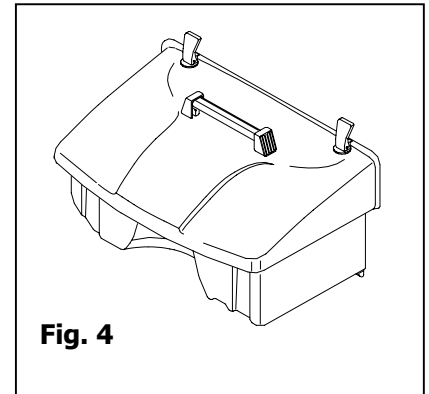
(*) ATENCIÓN: LA RECOGIDA DE RESIDUOS DEBE EFECTUARSE SIGUIENDO ESCRUPULOSAMENTE LAS LEYES VIGENTES EN MATERIA.

4.3.1 - Cajón delantero (fig.4)

- Levante y gire los 2 cierres del cajón.
- Sujete el cajón por las manillas y desengánchelo sacándolo hacia arriba.
- Vacíe el cajón (*).
- Para volver a montar el cajón:
- Enganche el cajón en la máquina en posición vertical.
- Gire y baje los 2 cierres.

4.3.2 - Cajón trasero (fig.5)

- Levante y gire los 2 cierres del cajón trasero.
- Coja el cajón trasero de la manilla y extráigalo de la máquina.
- Vacíe el cajón (*).
- Para volver a montar el cajón:
- Enganche el cajón en la máquina.
- Gire y presione los 2 cierres.



5.1 - MANTENIMIENTO ORDINARIO

ADVERTENCIA DE SEGURIDAD: las reparaciones deben ser efectuadas por un técnico autorizado. Utilice piezas de recambio originales o aprobadas



ATENCIÓN: antes de cualquier trabajo en la máquina, desconecte los cables de la batería y el cable de alimentación el cargador de batería

CONTROLES	A la entrega	Cada 10 horas	Cada 50 horas	Cada 100 horas	Cada 200 horas	Cada 1000 horas
Controle el líquido batería (batería plomo-ácido)	X	X				
Controle el desgaste de las correas				X		
Controle el apriete de tuercas y tornillos			X			
Controle el estado de los cepillos			X			
Controle la estanqueidad de las juntas		X				
Controle el funcionamiento de todas las funciones	X	X	X	X		
Controle el estado de las escobillas de grafito del motor; si están gastadas, sustitúyalas.					X	
Sustituya las escobillas de grafito del motor						X
Sustituya el filtro					X	



Fig. 5.2.1

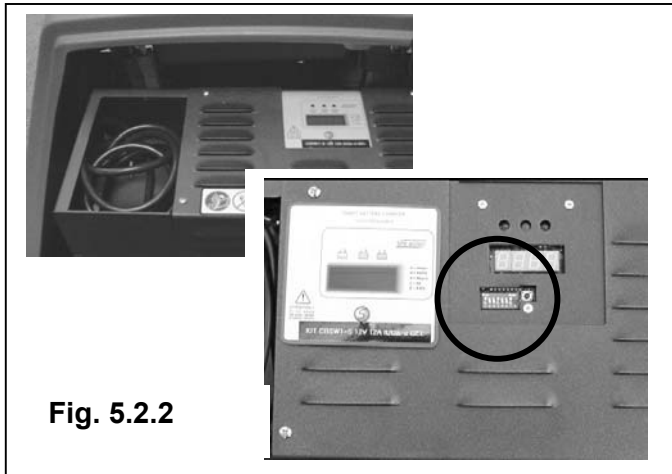


Fig. 5.2.2

5.2 - MANTENIMIENTO BATERÍA

La batería debe mantenerse siempre limpia y seca. Controle que los bornes y los polos estén limpios. Cada 10 horas quite los tapones y controle el nivel del electrolito, rellenando con agua destilada si es necesario.

Se recuerda que el local donde se realiza esta operación debe estar bien ventilado. No acerque llamas libres ni fume durante esta operación.

La batería tiene una autonomía de unas 3 horas; si la autonomía resultara sensiblemente inferior, controle que:

* los cepillos estén libres;

* antes de empezar a trabajar la batería esté completamente cargada.

5.2.1 - Recarga de la batería



ATENCIÓN: Las baterías emiten hidrógeno. Manténgalas lejos de chispas y llamas. Durante la recarga, mantenga abierto el alojamiento de la batería.

(sólo para baterías plomo-ácido)

Con la máquina apagada proceda de la siguiente manera:

- Quite los tapones de los elementos de la batería.
- Añada agua destilada y vuelva a colocar los tapones.
- Conecte el cable del cargador de batería (fig.5.2.1).

ADVERTENCIAS DE SEGURIDAD: en los trabajos de mantenimiento y reparación evite el contacto con el ácido de la batería. Para tocar la batería o sus cables, póngase guantes y gafas protectoras.

IMPORTANTE: el cargador de baterías entregado está configurado en fábrica para baterías tipo GEL. Para las baterías de plomo ácido, hay que volver a configurar los microinterruptores interiores del cargador de batería, tal como se muestra en la figura siguiente; por el contrario podrá averiarse la batería.

CONFIGURACIÓN DE LOS MICROINTERRUPTORES PARA BATERÍA DE PLOMO ÁCIDO



CONFIGURACIÓN DE LOS MICROINTERRUPTORES PARA BATERÍA TIPO GEL



Los microinterruptores se encuentran debajo de la etiqueta cuadrada del display situado en el cargador de batería (véase fig. 5.2.2)

La duración de la batería dependerá del mantenimiento periódico y del nivel de descarga alcanzado. No descargue la batería más allá del límite señalado por el indicador pos. 4 Fig. 3. Alcanzado el límite máx. de descarga, la máquina se detiene y debe ser recargada para poder reanudar el trabajo.

Indicador estado de carga

Indicador verde: Batería completamente cargada..

Indicador amarillo: Batería casi acabada, recargue lo antes posible.

Indicador rojo: Batería descargada, **NO** siga utilizando la máquina. Recargue de inmediato.

5.3 - MANTENIMIENTO DEL FILTRO

Limpieza del filtro

El filtro es un componente importante para el correcto funcionamiento de la máquina.

El mantenimiento correcto del filtro consentirá siempre el máximo nivel de rendimiento de la máquina. Si durante el trabajo la barredora levantara polvo, controle el estado del filtro.

Para limpiar el filtro proceda de la siguiente manera.

ATENCIÓN: coloque el filtro en la dirección indicada sobre el mismo (**pos. 4 Fig. 6**).

Locales polvorientos

Si se utiliza la máquina en un lugar polvoriento (ej. fábricas de cemento, aserraderos, etc.) utilice el sacudidor de filtro más a menudo.

Sustitución del filtro

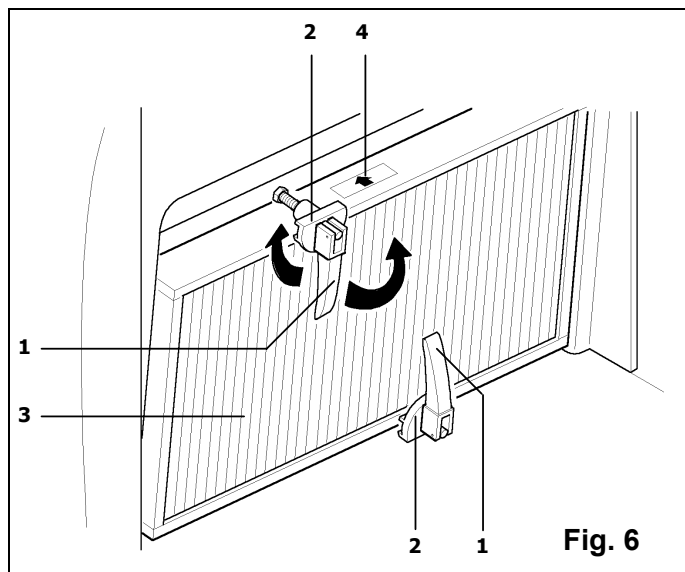
Cada 200 horas de trabajo, sustituya el filtro.

Siga las instrucciones de la **fig.6**:

- Abra las palancas **1**
- Gire los enganches **2** 180°
- Sustituya el filtro **3**
- La flecha **4** se debe orientar en la dirección del flujo de aire, desde el exterior hacia el interior de la máquina.
-

Cuando vuelva a montar el filtro, controle que exista una hermeticidad perfecta entre el filtro y las juntas

PARA LA ELIMINACIÓN DE LOS RESIDUOS RESPETE ESCRUPULOSAMENTE LAS NORMAS VIGENTES.



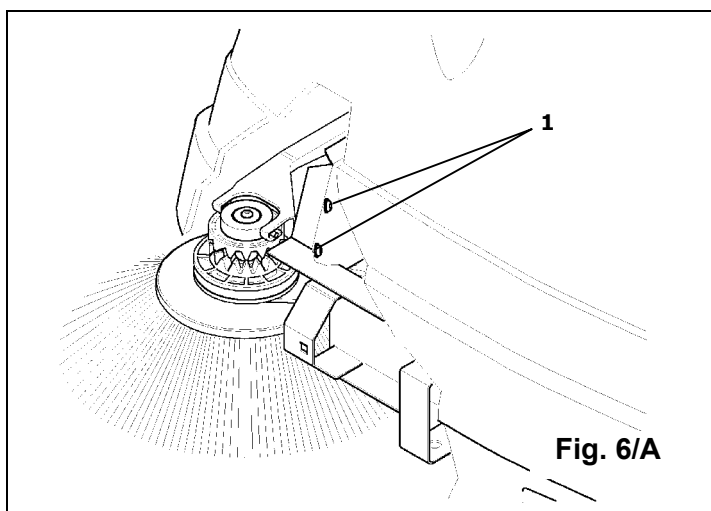
5.4 -SUSTITUCIÓN Y REGULACIÓN DEL CEPILLO LATERAL

Sustitución

Para sustituir el cepillo lateral, levante la parte delantera de la máquina, desenrosque el tornillo **Fig. 2/A** que sujeta el cepillo y quite el cepillo. Sustitúyalo con un nuevo cepillo y vuelva a enroscar el tornillo con la arandela.

Regulación

El cepillo lateral se regula aflojando los tornillos **pos.1 Fig. 6/A** y colocando manualmente el cepillo a lo largo de las ranuras hasta llegar a la altura deseada. Una vez que se ha determinado la altura, apriete los dos tornillos.



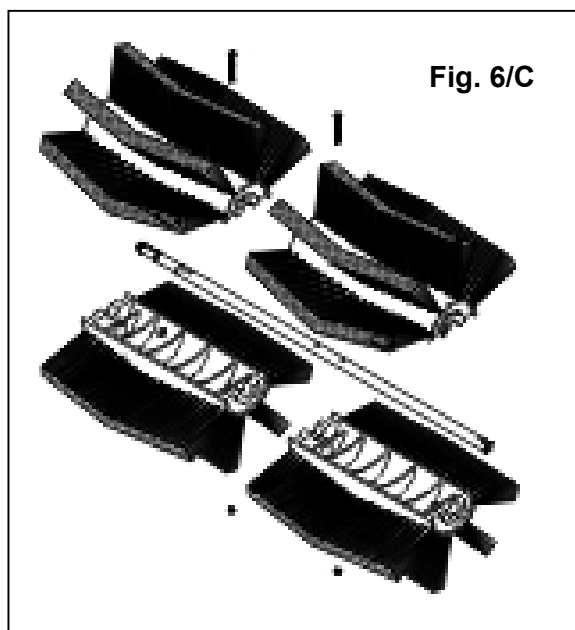
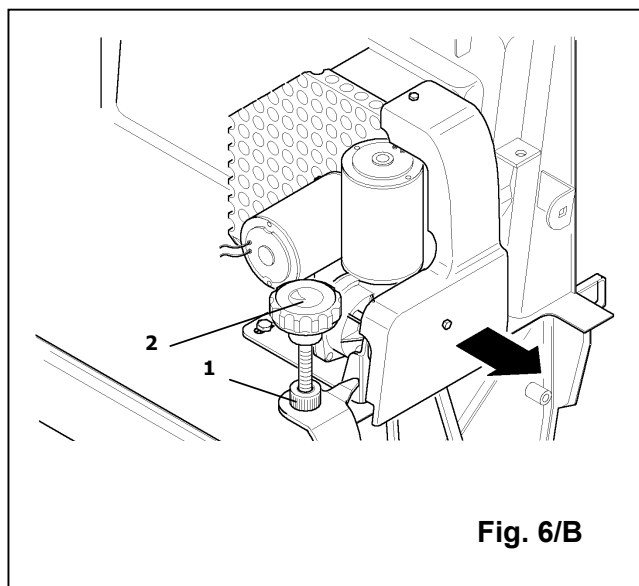
5.5 - SUSTITUCIÓN Y REGULACIÓN DEL CEPILLO CENTRAL

Sustitución (Fig.6/C)

Para sustituir el cepillo central primero quite el cajón delantero de la máquina y desenrosque los 4 tornillos de fijación y, después, extraiga el cepillo. Cuando vuelva a montar el nuevo cepillo, respete su sentido de orientación, que debe conducir la suciedad hacia el centro de la máquina.

Regulación (Fig.6/B)

Para regular el cepillo, quite la protección superior, afloje la tuerca de bloqueo **pos. 1 Fig. 6/B** y gire el volante **pos. 2 Fig. 6/B** (hacia la izquierda para aumentar la presión del cepillo). Después de la regulación del cepillo vuelva a apretar la tuerca de bloqueo.



5.7 - SUSTITUCIÓN Y REGULACIÓN DE LAS CORREAS

Para preparar la máquina para la sustitución de una o varias correas proceda de la siguiente manera:

- quite el cárter superior y el cajón delantero.

5.7.1 - Sustitución de la correa del cepillo lateral

- Tras desmontar la rueda derecha, desenrosque los tornillos que fijan el paragolpes y el cárter lateral derecho y quítelos. Con la máquina desmontada, es posible sustituir la correa rota.
- Quite la correa **pos. 1 Fig. 9** de la polea **pos. 2 Fig. 9**.
- Desenrosque el perno de fijación **pos. 3 Fig. 9** y haga salir los ganchos del brazo lateral **pos. 4 Fig. 9** de la rueda dentada conducida.
- Quite la correa **pos. 1 Fig. 9** del brazo lateral **pos. 4 Fig. 9**.
- Sustituya la correa.
- Enganche de nuevo el brazo lateral **pos. 4 Fig. 9** a la rueda dentada libre.
- Vuelva enroscar el perno **pos. 3 Fig. 9**.
- Utilizando la llave cód. 9001451 (excluida del suministro) tense la correa **pos. 1 Fig. 9/A** y colóquela de nuevo sobre la polea **pos. 2 Fig. 9/A**.

5.7.2 – Sustitución de la correa de tracción

- Tras haber quitado la rueda izquierda, afloje los tornillos que fijan el paragolpes y el cárter lateral izquierdo y sáquelos. Con la máquina así desmontada, es posible sustituir la correa rota.
- Quite el cárter de protección **pos. 1 Fig. 10/A**.
- Quite la correa **pos. 2 Fig. 10/B**.
- Introduzca la nueva correa entre las poleas **pos. 3-4 Fig. 10/B**.

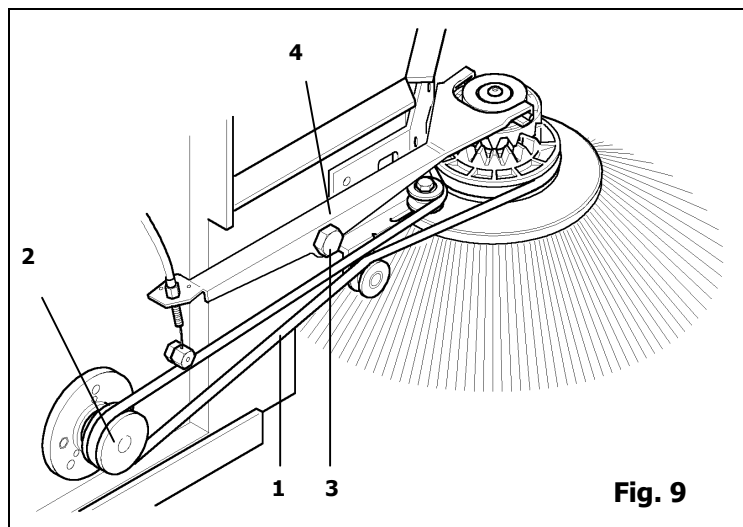


Fig. 9

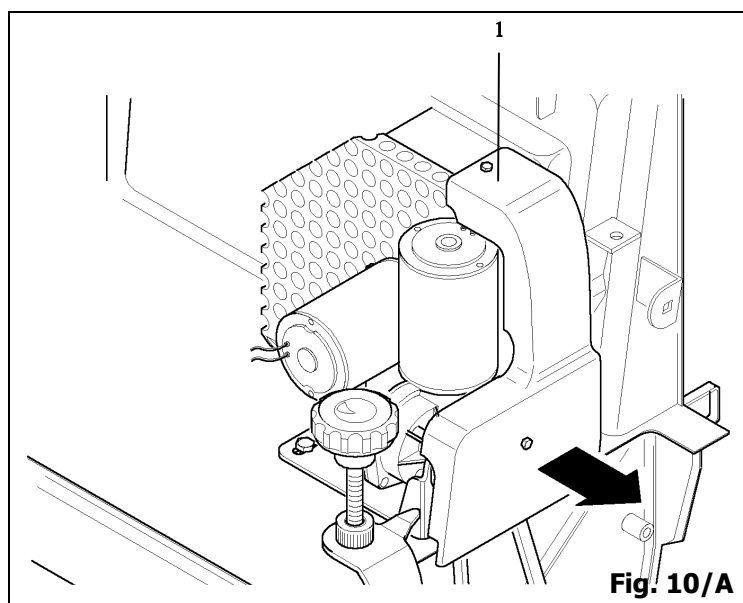


Fig. 10/A

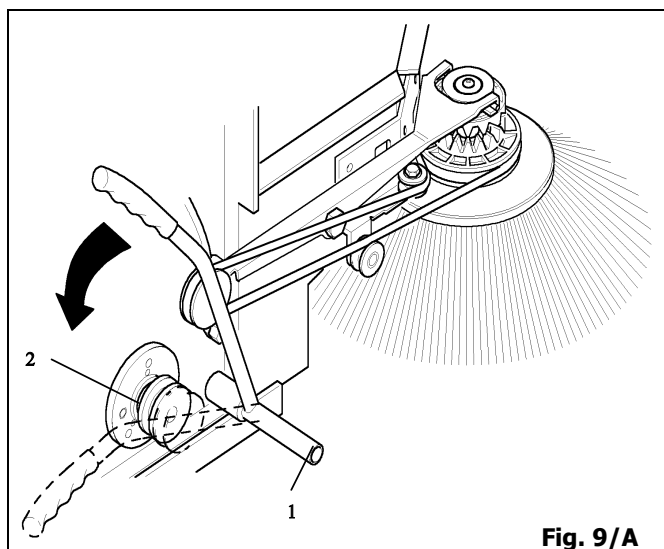


Fig. 9/A

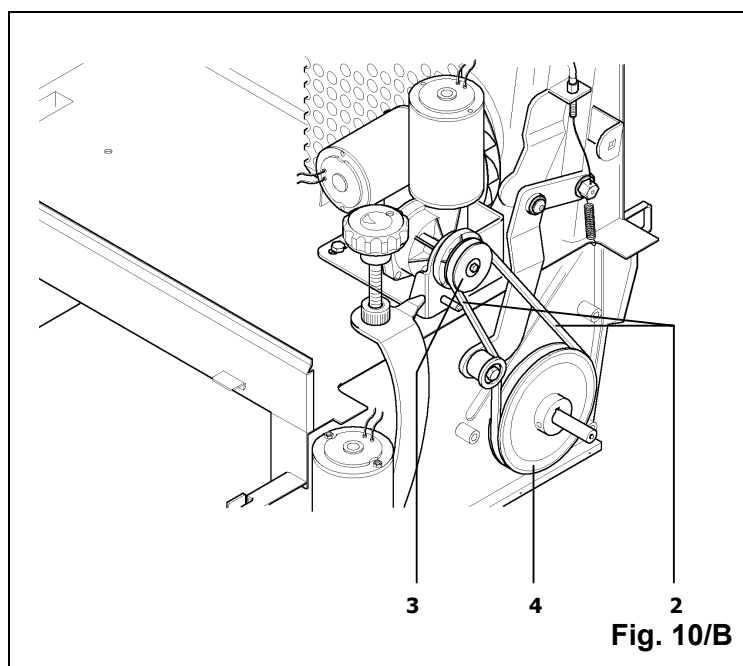


Fig. 10/B

5.8 - SUSTITUCIÓN FLAP

5.8.1 - Flaps laterales externos

Para sustituir los flaps laterales **pos. 1 Fig. 11** quite las ruedas traseras y los relativos cárteres laterales. Desenrosque los tornillos que fijan los flaps al bastidor **pos. 2 Fig. 11** y sustitúyalos con los nuevos.

5.8.2 - Flaps laterales internos

Para sustituir los flaps laterales internos **pos. 5 Fig. 11** levante la parte anterior de la máquina y desenrosque los tornillos **pos. 6 Fig. 11** que fijan los flaps al bastidor. Sustitúyalos con los nuevos.

5.8.3 - Flap central

- Quite las ruedas traseras y los correspondientes cárteres laterales.
- Quite el cajón trasero.
- Desenrosque los dos pernos de fijación del flap **pos. 3 Fig. 11** colocados a los lados del bastidor..
- Aferre y tire de los flaps **pos. 4 Fig. 11** hacia el exterior de la máquina.

Reensamblaje:

- Coloque el flap en la misma dirección en que estaba al ser sacado.
- Introduzca las dos clavijas en los orificios relativos.
- Enrosque los pernos de fijación y vuelva a montar la máquina.

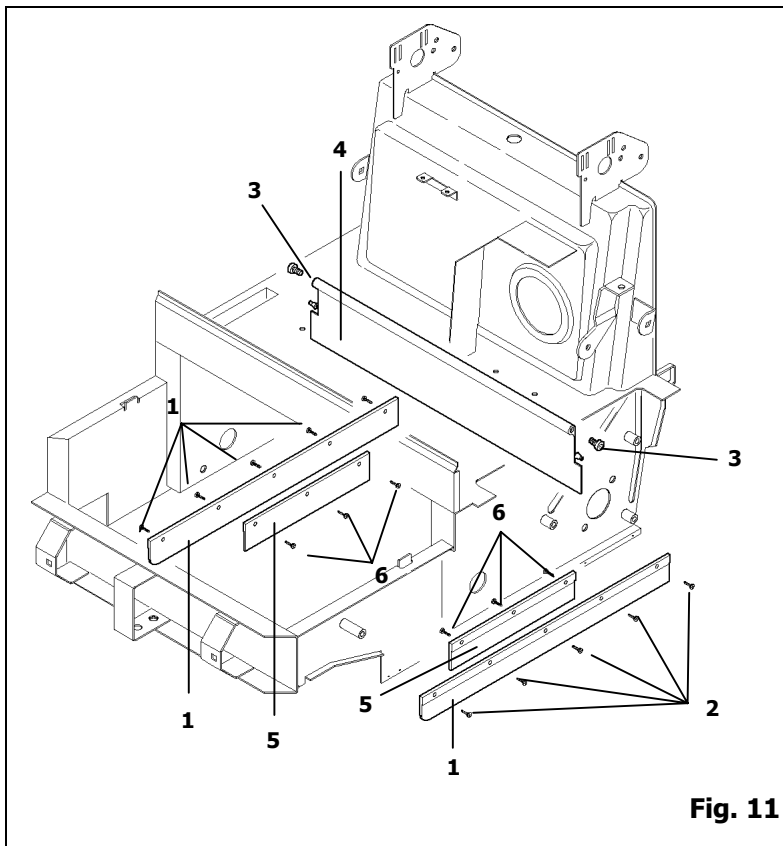


Fig. 11

5.9 - SUSTITUCIÓN Y REGULACIÓN DE LOS CABLES

5.9.1 - Sustitución del cable de tracción

Para sustituir el cable de tracción proceda de la siguiente manera:

- Quite el cárter superior de la máquina.
- Afloje el pasador situado sobre el perno de bloqueo del cable.
- Saque el cable del perno de bloqueo y extraiga totalmente el regulador montado sobre la manija de tracción.

Para volver a montar el cable:

- Introduzca un extremo del cable en el tornillo de regulación de la manija de tracción (el extremo sin la bola de bloqueo).
- Introduzca el cable en la vaina.
- Enganche la bola de bloqueo del cable a la manija.
- Pase el cable primero a través el regulador torneado fijado sobre el armazón de la máquina y luego dentro del perno de bloqueo del cable
- Apriete el pasador de bloqueo.

Para regular el cable ajuste los reguladores hasta obtener la posición que desea.

5.9.2 - Sustitución del cable elevador del cepillo lateral

Para sustituir el cable elevador del cepillo lateral proceda de la siguiente manera:

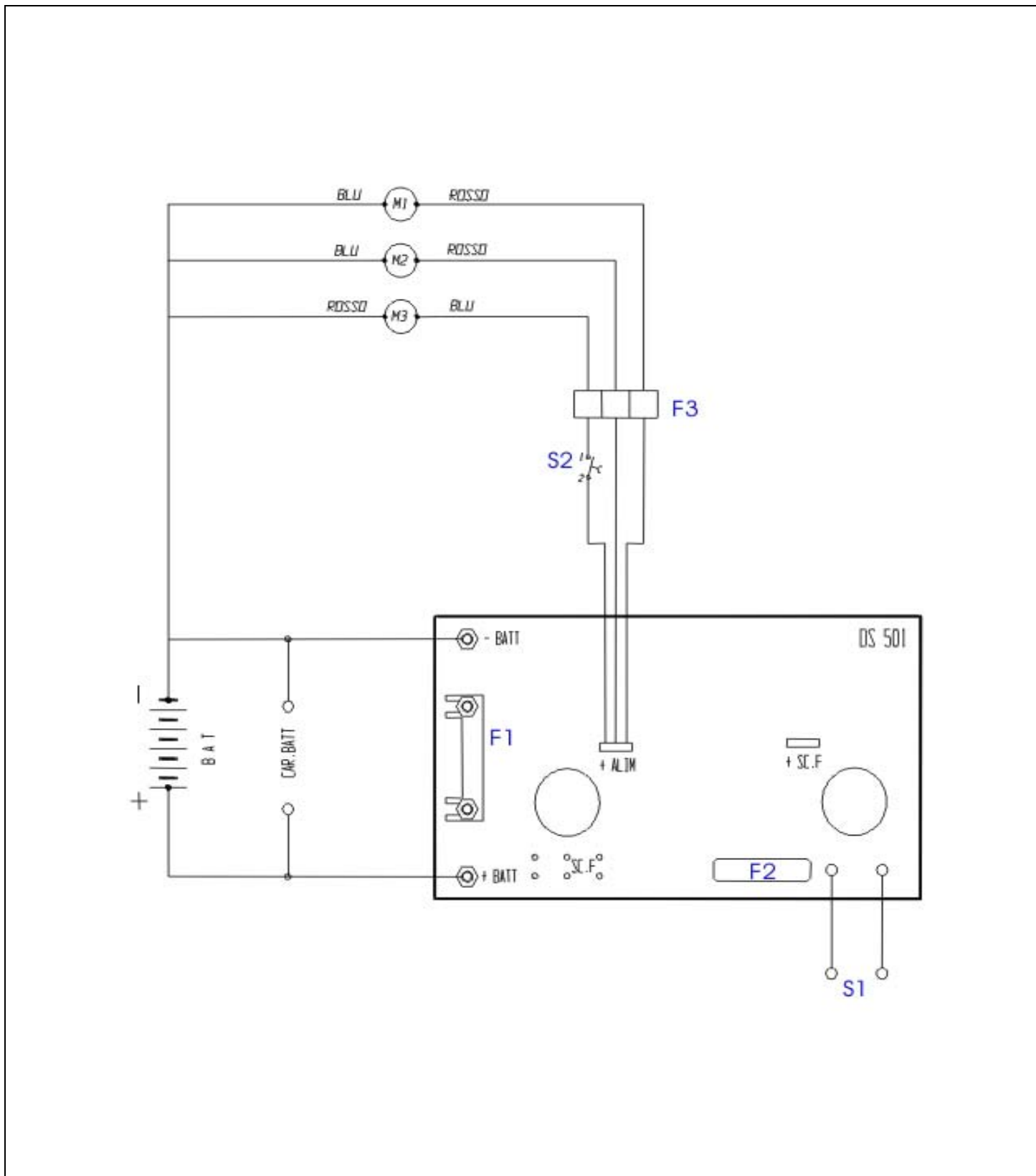
- Quite el cárter superior de la máquina y el cajón delantero.
- Quite el paragolpes delantero, la rueda derecha y el cárter lateral derecho.
- Afloje la mordaza que fija el cable.
- Afloje el pasador en el perno de fijación.
- Desmonte la manija del soporte y ábrala
- Extraiga el cable hasta hacerlo salir de las dos vainas.

Para volver a montar el cable:

- Coloque el cable en la manija.
- Cierre la manija y fíjela en su soporte.
- Introduzca los cables en las vainas.
- Bloquee un extremo del cable con la mordaza y el otro extremo del cable en el perno de fijación.

Para regular el cable ajuste los dos reguladores hasta obtener la posición que desea.

6.1.1 - WIRING DIAGRAM



M1 Motor cepillo central

M2 Motor tracción

M3 Motor ventilador

F1 Fusible 50A

F2 Fusible 1A / 250 V

F3 Fusible 30 A

S1 Interruptor de llave

S2 Interruptor ventilador

Car.Bat Toma cargador batería

6.2 - TABLA PROBLEMAS-CAUSAS-SOLUCIONES

PROBLEMA	CAUSA	SOLUCIÓN
El cepillo central no gira	Correa rota	Sustitúyala
	Motorreductor averiado	Consulte con el centro de asistencia
	Hilo desconectado	Consulte con el centro de asistencia
El cepillo lateral no gira	Correa rota	Sustitúyala
La batería no conserva la carga	Falta líquido (para batería de plomo ácido)	Reponga
	Borne flojo	Apriételo
Salida de polvo por el ventilador	Sustitúyalo	Sustitúyalas
	Filtro situado mal	Acomódelo
	Juntas gastadas	Sustitúyalas
Los cepillos se gastan rápidamente	Cepillos muy apretados	Regúlelo
Salida de polvo durante el trabajo	Flap gastados	Sustitúyalos
	Filtro atascado	Límpielo
El motor de aspiración no funciona	Motor quemado	Consulte con el centro de asistencia
	Filo desconectado	Consulte con el centro de asistencia
La máquina no se enciende	Bornes de la batería desconectados	Recárguela
	Baterías descargadas	Recárguelas

6.3 - DESGUACE DE LA MÁQUINA

Si se decide transformar la máquina en chatarra, se recuerda que las baterías **NO** pueden ser consideradas como residuos comunes, sino que deben ser eliminadas de acuerdo con las leyes vigentes. La máquina es un conjunto de distintos componentes, por lo tanto se aconseja separar y recoger las piezas de manera homogénea de acuerdo con las leyes vigentes.

NO UTILICE COMO RECAMBIO NINGUNA PIEZA QUE DEBA SER DESGUAZADA, MANTENGA LAS PIEZAS FUERA DEL ALCANCE DE LOS NIÑOS.

NOTE

Si se produjeran otros desperfectos, consulte con su Revendedor

TABLE DES MATIERES

<i>Caractéristiques techniques</i>	<i>Pag. 31</i>
<i>Conventions et Légendes</i>	<i>Pag. 32</i>
<i>Conseils de sécurité</i>	<i>Pag. 32</i>
<i>1.1 Etiquettes sécurité</i>	<i>Pag. 33</i>
<i>1.2 Numéro de série et Marque CE</i>	<i>Pag. 34</i>
<i>1.3 Introduction</i>	<i>Pag. 34</i>
<i>1.4 Déballage</i>	<i>Pag. 34</i>
<i>1.5 Consommables</i>	<i>Pag. 34</i>
<i>2.1 Préparation de la machine</i>	<i>Pag. 34</i>
<i>3.1 Commandes</i>	<i>Pag. 35</i>
<i>4.1 Mise en marche</i>	<i>Pag. 36</i>
<i>4.2 Opérations pour un fonctionnement correct</i>	<i>Pag. 36</i>
<i>4.3 Nettoyage des bacs à déchets</i>	<i>Pag. 36</i>
<i>5.1 Entretien ordinaire</i>	<i>Pag. 37</i>
<i>5.2 Entretien de la batterie</i>	<i>Pag. 37</i>
<i>5.3 Entretien du filtre</i>	<i>Pag. 38</i>
<i>5.4 Remplacement et réglage du balai latéral</i>	<i>Pag. 39</i>
<i>5.5 Remplacement et réglage du balai central</i>	<i>Pag. 39</i>
<i>5.7 Remplacement et réglage des courroies</i>	<i>Pag. 40</i>
<i>5.8 Remplacement des flaps</i>	<i>Pag. 41</i>
<i>5.9 Remplacement et réglage des câbles</i>	<i>Pag. 41</i>
<i>6.1 Schéma électrique S8</i>	<i>Pag. 42</i>
<i>6.2 Tableau pannes-causes-remèdes</i>	<i>Pag. 43</i>
<i>6.3 Mise à la casse de la machine</i>	<i>Pag. 43</i>
<i>7.1 Liste des pièces détachées</i>	
<i>Garantie</i>	<i>au dos de la couverture</i>

Tennant Company
PO Box 1452
Minneapolis, MN 55440
Phone: (800) 553-8033 or (763) 513-2850
www.tennantco.com

CARACTERISTIQUES TECHNIQUES

DESCRIPTION	S8	
<i>Largeur maximale avec balai latéral</i>	838 mm	33 in
<i>Longueur maximale avec balai latéral</i>	1219 mm	48 in
<i>Hauteur maximale avec guidon</i>	1010 mm	39.75 in
<i>Largeur de nettoyage avec balai central</i>	520 mm	20,5 in
<i>Largeur de nettoyage avec balai latéral</i>	711 mm	28 in
<i>Poids</i>	89 kg	196 lbs
<i>Capacité bac déchets avant</i>	32 Lt	1,1 cu.ft
<i>Capacité bac déchets arrière</i>	18 Lt	0,63 cu.ft
<i>Autonomie de travail</i>	3,5 h	3.5 h
<i>Surface filtre</i>	0,046 m ²	0,5 sq.ft
<i>Productivité théorique</i>	2500m ² /h	26,900 sq.ft./h
<i>Puissance installée / Absorbée</i>	21A sur moquette 18.5A sur sol dur	21A sur moquette 18.5A sur sol dur
<i>Type de batteries</i>	12v 70Ah/5h	12v 70Ah/5h
<i>Bruit</i>	65dB	65dB
<i>Vibrations</i>	2.5 m/Sec ²	2.5 m/Sec ²

RECOMMANDATIONS:

Cette machine est destinée à un usage exclusivement commercial. Elle sert à ramasser la saleté, les déchets secs et la poussière sur des surfaces sèches, carrelées ou revêtues de moquette, à l'intérieur de locaux. Elle ne doit pas être utilisée pour d'autres usages. Ne pas utiliser la machine pour aspirer des liquides, des matières dangereuses ou toxiques.

Les opérateurs doivent avoir lu, connaître et respecter les recommandations suivantes.

Dans ce manuel, le symbole Attention ci-dessous et l'inscription "CONSEIL DE SECURITE" ont la signification suivante:



ATTENTION: indique des dangers ou des procédures dangereuses qui pourraient provoquer de graves lésions voire la mort.

CONSEIL DE SECURITE: indique les procédures qui doivent être suivies pour utiliser la machine en toute sécurité.

Le non-respect de ces conseils peut entraîner des lésions, électrocutions, décharges électriques, incendies ou explosions :



ATTENTION: Ne pas actionner la machine en présence de liquides ou de vapeurs inflammables, ou de poussières combustibles.

La machine n'est pas munie de moteurs anti-explosions. L'étincelle générée dans les moteurs électriques lors de l'allumage et pendant le fonctionnement peut provoquer un incendie ou une explosion si la machine est employée en présence de liquides/vapeurs inflammables ou de poussières combustibles.

ATTENTION: Ne pas aspirer de matières toxiques ou inflammables, de déchets incandescents ou fumants.



ATTENTION: Ne pas charger les batteries si le câble d'alimentation est endommagé. Ne pas changer la fiche.

Si le câble d'alimentation du chargeur de batteries est endommagé ou coupé, le faire remplacer par le fabricant ou par un SAV agréé ou par un professionnel qualifié.



ATTENTION: Avant toute intervention, débrancher les câbles de la batterie et le câble d'alimentation du chargeur de batterie.



ATTENTION: Ne pas utiliser la machine en plein air ou sur des surfaces mouillées. Ne pas laisser la machine sous la pluie. La ranger à couvert.

Les informations ci-dessous indiquent des conditions potentiellement dangereuses pour l'opérateur ou pour l'appareil:

MESURES DE SECURITE :

- 1. Ne pas utiliser la machine:**
 - En présence de substances inflammables ou explosives.
 - Si on n'a pas été spécialement formés et autorisés.
 - Si on n'a pas lu le mode d'emploi.
 - Si la machine n'est pas en parfait état.
 - S'il manque un des bacs et/ou des filtres.
- 2. Avant de mettre la machine en marche:**
 - Vérifier l'état et le bon fonctionnement des dispositifs de sécurité.
- 3. Quand la machine est en marche:**
 - Ne pas aspirer de déchets incandescents ou fumants, par ex. cigarettes, allumettes ou braises.
 - Ne pas utiliser la machine pour aspirer des liquides.
 - Signaler immédiatement tout dommage ou panne.
 - Avancer lentement sur les surfaces en pente et glissantes.
 - Ne pas laisser la machine sans surveillance ou sur des surfaces en pente.
 - Ne pas utiliser la machine pour ramasser des fils, cordes, feuillets ou autres objets de même genre.
 - S'assurer que la zone de travail est éclairée.
 - Tenir la machine hors de portée des enfants.
 - Ne pas transporter de personnes ou de choses.
 - Dans des locaux poussiéreux, porter des lunettes et des gants de protection.
- 4. Avant de s'éloigner de la machine ou avant toute intervention d'entretien:**
 - Arrêter la machine sur une surface plane.
 - Eteindre la machine.
- 5. Pendant les opérations d'entretien et de réparation:**
 - S'éloigner des pièces en mouvement. Ne pas porter de vestes, chemises ou vêtements avec des manches qui pourraient se prendre dans la machine.
 - Avant d'intervenir sur la machine, débrancher la batterie et la fiche du chargeur de batterie.
 - Employer des pièces détachées originales ou homologuées.
 - Les réparations doivent être effectuées par un professionnel qualifié.
 - Ne pas modifier la machine.
 - Pour manipuler la batterie ou les câbles de la batterie, porter des gants et des lunettes de protection.
 - Eviter tout contact avec l'acide de la batterie.
 - Ne pas utiliser la machine sur des pentes supérieures à 2%.
- 6. Pendant le transport de la machine:**
 - Eteindre la machine.
 - Se faire aider pour la lever.
 - Pour le chargement/déchargement sur un camion ou une remorque, se servir d'une rampe adaptée.
 - Fixer la machine au camion ou à la remorque avec des sangles spéciales.

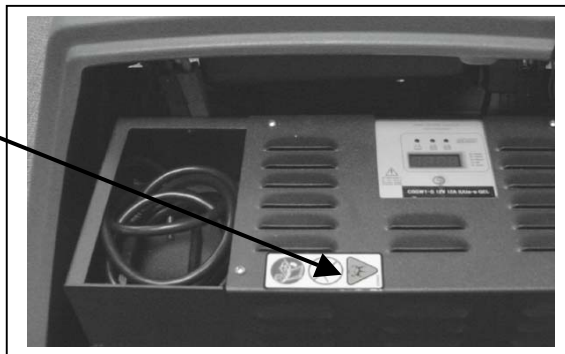
1.1 – ETIQUETTES DE SECURITE

L'étiquette de sécurité est apposée sur la machine, à l'endroit indiqué. Si l'étiquette est abîmée ou si elle manque il faut la remplacer.

ETIQUETTE POUR LA CHARGE DE LA BATTERIE - PLACÉE SUR LE CHARGEUR DE BATTERIE



ATTENTION: Danger d'incendie ou d'explosion. Les batteries dégagent de l'hydrogène. Les tenir loin d'étincelles ou de flammes nues. Pendant la recharge, laisser le compartiment de la batterie ouvert.

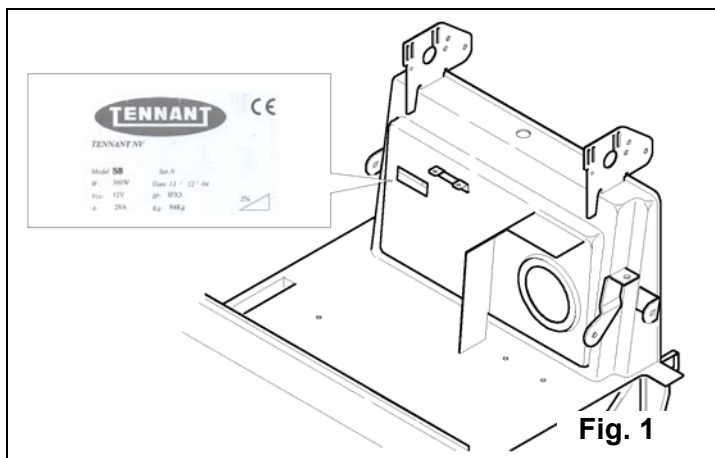


ÉTIQUETTE ATTENTION – PLACÉE A L'ARRIÈRE DU CAPOT EN PLASTIQUE



1.2 – NUMERO DE SERIE ET MARQUE CE

S'assurer que la machine est pourvue d'une plaque indiquant le **numéro de série** et la **marque CE** placée comme le montre la **Fig. 1**. Si ce n'est pas le cas avertir immédiatement le revendeur.



1.3 - INTRODUCTION

Cette notice contient des informations pratiques concernant la sécurité, le fonctionnement, le réglage et l'entretien de la machine. La machine a été conçue et réalisée pour assurer des prestations optimales, un maximum de confort et de facilité de travail dans de nombreuses conditions. Avant d'être livrée la machine a été contrôlée en usine et par notre concessionnaire afin qu'elle vous soit livrée en parfait état. Pour conserver la machine dans ces conditions ou assurer un travail sans problèmes, il est indispensable de respecter les opérations d'entretien ordinaire décrites dans ce livret.

1.4 - DEBALLAGE

Déballer la machine très soigneusement en évitant toute manœuvre qui pourrait l'endommager. Lorsqu'elle est déballée vérifier qu'elle est en bon état. En cas contraire NE PAS utiliser la machine et s'adresser au revendeur. Pour des raisons d'emballage et de transport certaines pièces et accessoires sont livrés en pièces détachées. Pour leur montage suivre les instructions données dans les différents paragraphes de ce livret..

L'emballage contient:

- N° 1 Machine.
- N° 1 Balai latéral.
- N° 1 Notice d'instructions

Equipement: (p/n 9001420):

- 1 clé Allen de 4mm
- 1 clé Allen de 5mm
- 2 clés 10/13
- 2 vis et écrous M8
- 2 clés de démarrage
- 1 étiquette LED de recharge

S'il manque une des pièces indiquées ci-dessus, s'adresser immédiatement au vendeur.

Stocker les emballages (sachets, cartons, palettes, crochets etc.) dans un endroit adéquat **hors de la portée des enfants**.

NOTE

Afin de ne pas les perdre au cours du transport, les clés de démarrage sont contenues dans l'enveloppe des papiers.

1.5 - CONSOMMABLES

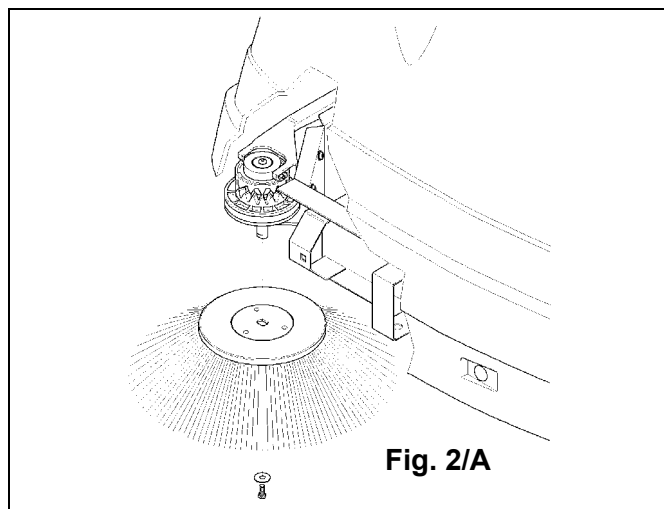
Motoréducteur: graisse au LITHIUM MOVIBLAK 300 ou ayant les mêmes caractéristiques.

Batterie: Eau distillée.

2.1 – PREPARATION DE LA MACHINE

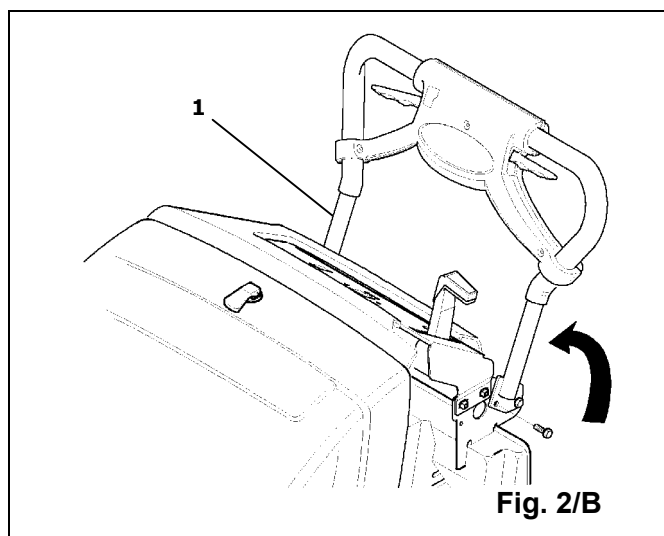
2.1.1 – Montage balai latéral

- Mettre le levier lève-balai (**pos. 1 Fig. 3**) sur **OFF**.
- Dévisser la vis de l'arbre du balai latéral.
- Mettre le balai sur l'arbre (Fig. 2/A).
- Visser la vis et la rondelle.



2.1.2 – Montage du guidon

- Desserrer les vis de fixation du guidon.
- Lever le guidon en position de travail (**pos. 1 Fig. 2/B**).
- Visser les vis de fixation du guidon.



3.1 - COMMANDES ET REGLAGES

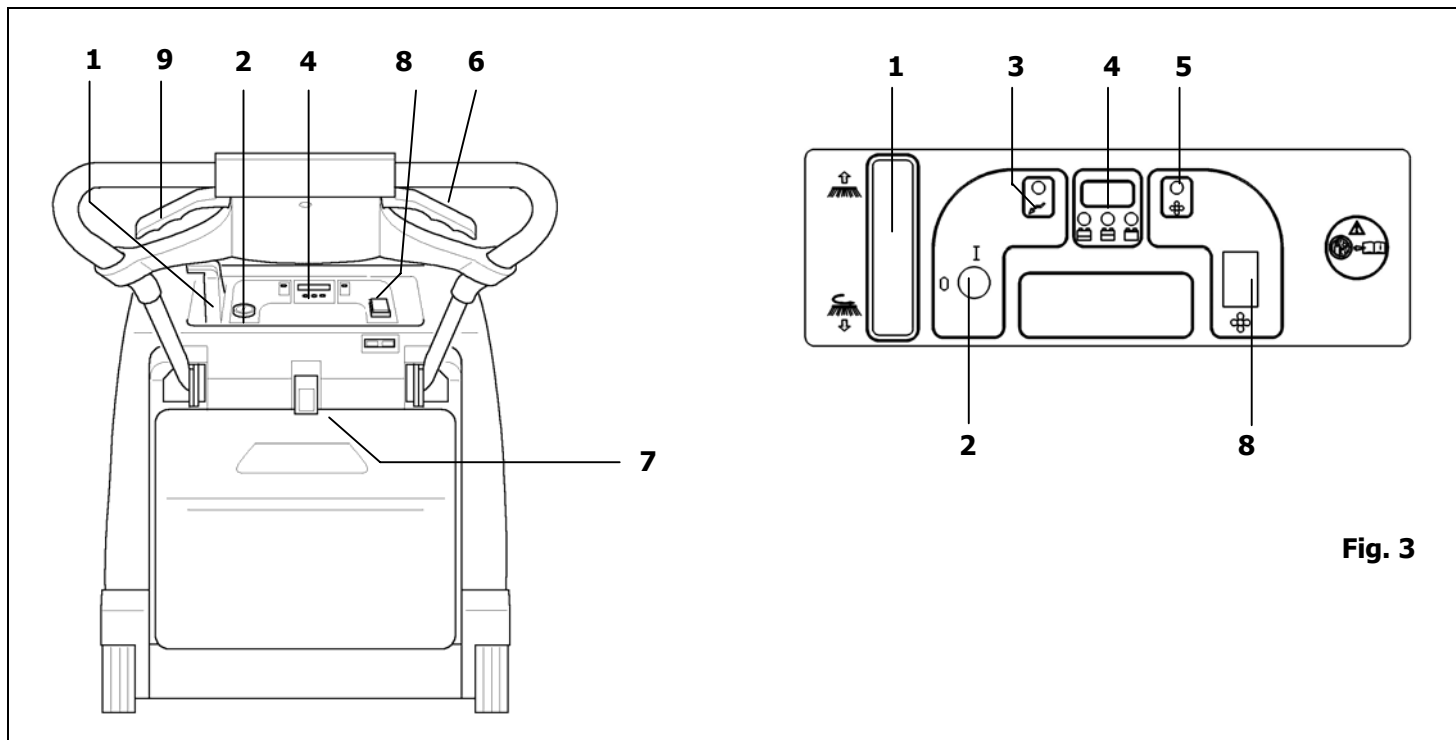


Fig. 3

- 1) **Levier de commande brosse latérale:** si on baisse le levier le balai latéral se met en position de travail et commence à tourner. Pour arrêter le balai relever le levier.
- 2) **Interrupteur à clé:** alimentation de la machine.
- 3) **Voyant alimentation.**
- 4) **Voyant état de charge** (seulement dans la version Electrique): affiche la charge de la batterie pendant le fonctionnement de la machine. .
- 5) **Voyant système d'aspiration.**

- 6) **Levier traction:** quand on appuie sur ce levier, on transmet le mouvement à la machine qui commence à avancer.
- 7) **Levier secoueur de filtre:** levier pour le nettoyage du filtre (voir Entretien du filtre).
- 8) **Interrupteur système d'aspiration.**
- 9) **Levier de commande flap pour gros déchets.**

4.1 – MISE EN MARCHÉ

CONSEIL DE SECURITE: La machine ne doit être utilisée que par des personnes formées et autorisées. Ne pas aspirer de liquides et ne pas laisser la machine sans surveillance, retirer la clé avant de s'éloigner de la machine et veiller à ce qu'elle soit hors de portée des enfants.

Pour mettre la machine en marche:

- Vérifier que le balai latéral **pos. 1 Fig 3** soit sur **0**.
- Mettre l'interrupteur pos. 2 Fig. 3 sur I. Attendre environ 10" avant d'actionner la machine.
- Contrôler sur l'indicateur **pos. 4 Fig. 3** que la batterie est complètement chargée avant de commencer à travailler, si ce n'est pas le cas recharger la batterie.

Tirer le levier de traction **pos. 6 Fig. 3** et procéder au nettoyage

Si nécessaire, actionner le levier **pos. 1 Fig. 3** en le mettant en **position I** pour mettre en marche le balai latéral. A la fin du travail remettre le balai latéral, si on l'a utilisé, sur la **position 0**. Eteindre la machine et retirer les clés du tableau de bord.

Un dispositif automatique empêche d'utiliser la machine au-delà d'un certain niveau de décharge de la batterie. Quand cette limite est atteinte, la machine s'arrête et la batterie **doit être rechargée**.

4.2 – OPERATIONS POUR UN FONCTIONNEMENT CORRECT

Lorsque toutes les opérations de préparation et de mise en marche de la machine sont terminées, on peut travailler avec la balayeuse. Pour obtenir le meilleur rendement de la balayeuse, il est conseillé de suivre quelques recommandations qui permettront de maintenir les performances de la machine et de réduire les risques d'endommagement.

Il est important:

-CONSEIL DE SECURITE: Ne pas ramasser de fils, cordes, feuillards ou autres objets de même genre.

- En présence d'objets volumineux et particulièrement légers (papier, feuilles etc.) soulever la partie avant de la machine en appuyant sur le guidon, juste le temps de ramasser les déchets.
- Utiliser le levier de commande du flap pour ramasser les déchets volumineux.
- Secouer le filtre à la fin du travail (voir Filtre et panneau).
- Veiller à ce que le balai central soit toujours bien réglé (voir Réglage balai central).

4.3 – NETTOYAGE DES BACS A DECHETS

Avant d'effectuer cette opération vérifier que la machine est arrêtée.

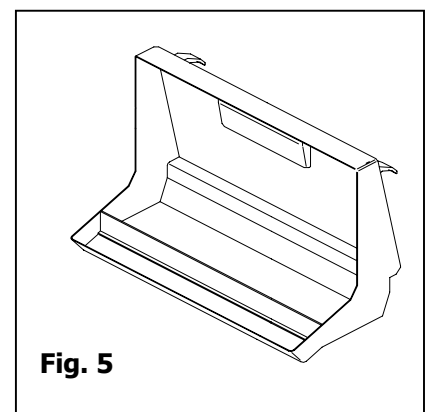
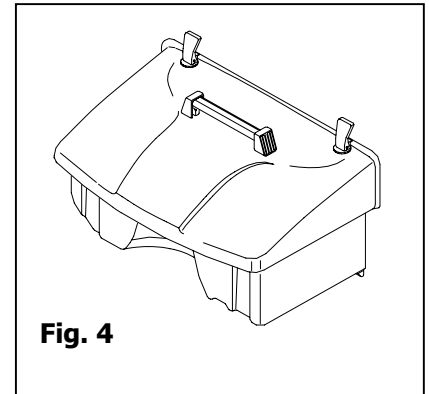
(*) ATTENTION: LE RAMASSAGE DES DECHETS DOIT ETRE EFFECTUE CONFORMEMENT A LA REGLEMENTATION EN VIGUEUR EN LA MATIERE .

4.3.1 - Bac avant (fig.4)

- Lever et tourner les 2 fixations du bac.
- Saisir le bac par la/les poignées/s et sortir le bac en le tirant vers le haut. .
- Vider le bac **(*)**.
- Pour remonter le bac:
- Enfiler le bac dans la machine.
- Tourner et fermer les deux fixations.

4.3.2 – Bac arrière (fig.5)

- Lever et tourner les 2 fixations du bac arrière.
- Saisir le bac arrière par la poignée et le sortir.
- Vider le bac **(*)**.
- Pour remonter le bac:
- Mettre le bac dans la machine. – Tourner et fermer les deux fixations.



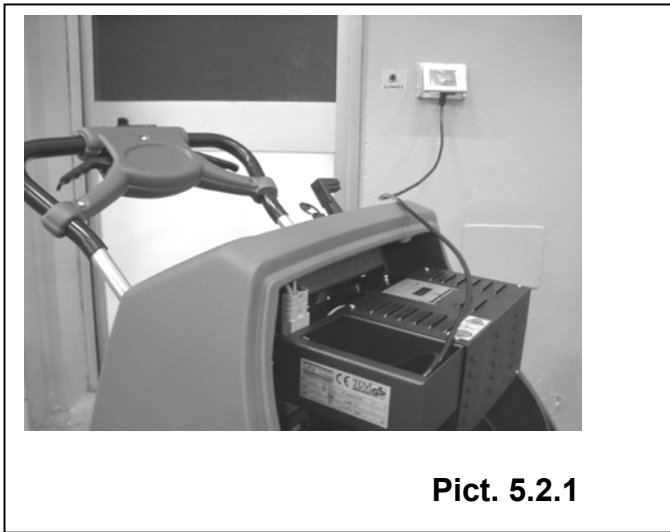
5.1 – ENTRETIEN ORDINAIRE

CONSEIL DE SECURITE: les réparations doivent être effectuées par un technicien agréé. Utiliser des pièces détachées originales ou agréées par le fabricant.

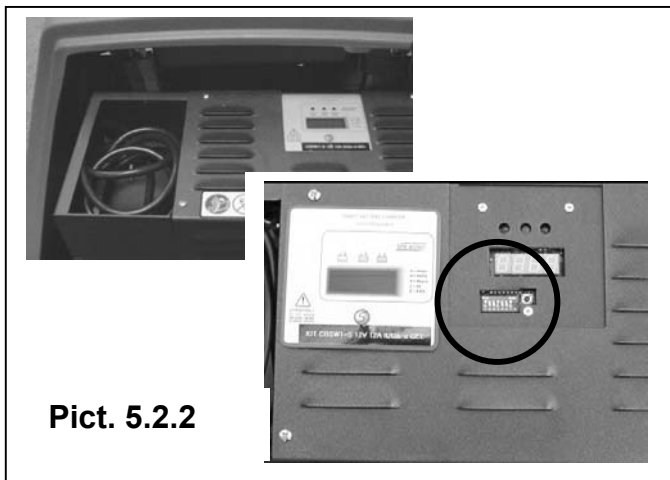


ATTENTION: Avant toute intervention sur la machine, débrancher les câbles de la batterie et le câble d'alimentation du chargeur de batterie.

CONTROLES	A la livraison	Toutes les 10 heures	Toutes les 50 heures	Toutes les 100 heures	Toutes les 200 heures	Toutes les 1000 heures
Contrôler liquide batterie (batterie plomb-acide)	X	X				
Contrôler l'usure des courroies				X		
Contrôler le serrage des écrous et des vis			X			
Contrôler l'état des balais			X			
Contrôler l'étanchéité des joints		X				
Contrôler le fonctionnement de toutes les fonctions	X	X	X	X		
Contrôler l'état des balais de graphite du moteur; les remplacer s'ils sont usés.					X	
Remplacer les balais de graphite du moteur						X
Remplacer le filtre					X	



Pict. 5.2.1



Pict. 5.2.2

5.2 – ENTRETIEN DE LA BATTERIE

La batterie doit toujours être propre et sèche. Contrôler que les bornes et les pôles soient bien propres. Toutes les 10 heures enlever les bouchons et contrôler le niveau de l'électrolyte. Le cas échéant ajouter de l'eau distillée.

Le local où cette opération a lieu doit être bien aéré. Ne pas approcher de flammes nues et ne pas fumer au cours de cette opération.

La batterie a une autonomie de 3 heures environ. Si celle-ci s'avérait inférieure contrôler:

* que les balais sont dégagés ;

* avant de commencer à travailler que la batterie est complètement chargée.

5.2.1 – Recharge de la batterie



ATTENTION: Les batteries dégagent de l'hydrogène. Elles ne doivent pas près d'étincelles et de flammes nues. Pendant la recharge, laisser ouvert le compartiment de la batterie.

(seulement pour batteries plomb-acide)

Lorsque la machine est arrêtée procéder comme suit:

- retirer les bouchons de la batterie.
- ajouter de l'eau distillée et remettre les bouchons en place.
- brancher le câble du chargeur de batterie (fig.5.2.1).

FOR SAFETY: When Servicing machine avoid contact with

IMPORTANT: Le chargeur de batterie fourni est programmé en usine pour des batteries de type GEL. Pour les batteries plomb-acide, il faut reconfigurer les micro-interrupteurs intérieurs du chargeur de batterie comme le montre la figure suivante; autrement cela pourrait endommager la batterie.

CONFIGURATION DES MICRO-INTERRUPTEURS POUR BATTERIE PLOMB-ACIDE



CONFIGURATION DES MICRO-INTERRUPTEURS POUR BATTERIE TYPE GEL



Les micro-interrupteurs se trouvent sous l'étiquette carrée de l'écran du chargeur de batterie (voir fig. 5.2.2)

La durée de la batterie dépendra de l'entretien périodique et du niveau de charge atteint. Ne pas décharger la batterie au-delà de la limite indiquée par les voyants pos. 4 Fig. 3. Une fois atteinte la limite maxi de décharge la machine s'arrête et doit être rechargée pour pouvoir continuer à travailler.

Voyant état de charge

Voyant vert: Batterie complètement chargée.

Voyant jaune: Batterie presque à plat, la recharger le plus tôt possible.

Voyant rouge: Batterie à plat, **NE PAS** continuer à utiliser la machine. Recharger immédiatement.

5.3 – ENTRETIEN DU FILTRE

Nettoyage du filtre

Le filtre est un composant d'une importance primordiale pour que la machine fonctionne correctement. Un bon entretien permettra à la machine de fournir le meilleur rendement possible. Si pendant le travail la balayeuse rejette de la poussière, vérifier l'état du filtre.

Pour nettoyer le filtre procéder de la façon suivante.

ATTENTION: insérer le filtre dans la direction indiquée sur celui-ci (**pos. 4 Fig. 6**).

Endroit poussiéreux

Si on utilise la machine dans un endroit poussiéreux (par ex. cimenterie, scierie, etc.) penser à utiliser le secoueur de filtre plus fréquemment

Remplacement du filtre

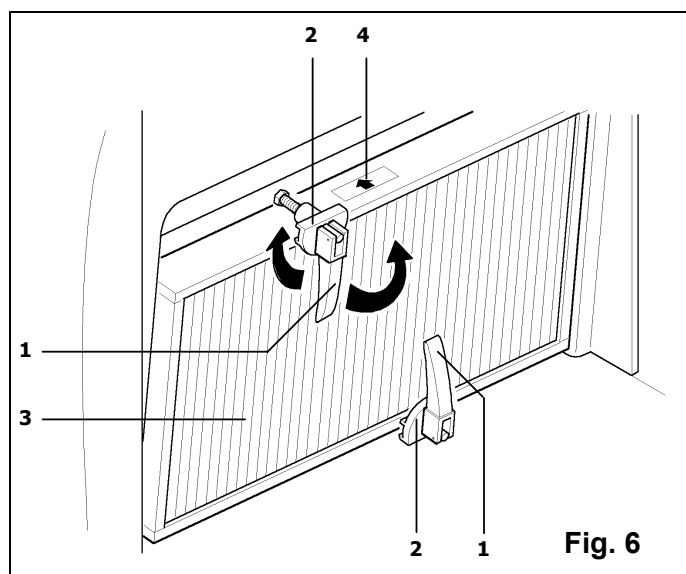
Le filtre doit être changé toutes les 200 heures de fonctionnement environ.

Suivre ce qui est indiqué dans la **fig.6**:

- Ouvrir les poignées **1**
- Tourner les deux fixations **2** de 180°
- Remplacer le filtre **3**
- La flèche **4** doit être orientée dans la direction du flux d'air, de l'extérieur vers l'intérieur de la machine.
-

Au moment de remonter le filtre, vérifier que l'étanchéité entre le filtre et les joints est parfaite.

ELIMINER LES DECHETS CONFORMEMENT A LA REGLEMENTATION EN VIGUEUR



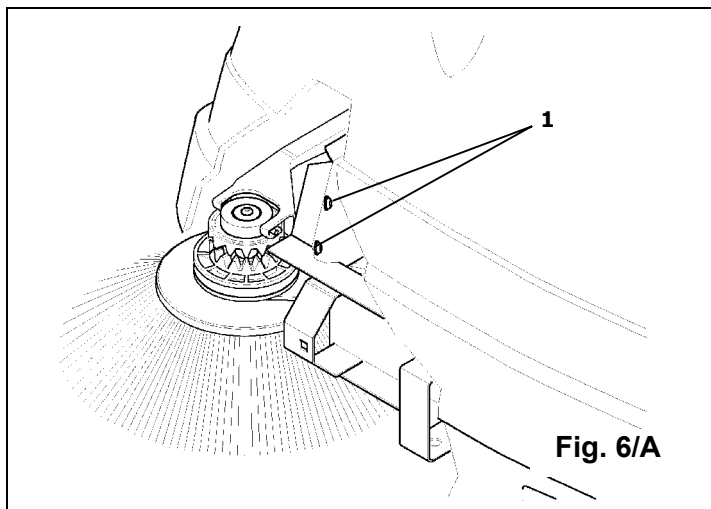
5.4 – REMPLACEMENT ET REGLAGE DU BALAI LATERAL

Remplacement

Pour remplacer le balai latéral soulever l'avant de la machine et dévisser la vis **Fig. 2/A** de fixation du balai et retirer le balai. Mettre un balai neuf et revisser la vis avec la rondelle.

Réglage

Pour régler le balai desserrer la vis **pos. 1 Fig. 6/A** et positionner manuellement le balai le long des trous à la hauteur voulue. Après avoir réglé la hauteur resserrer les deux vis.



5.5 – REMPLACEMENT ET REGLAGE DU BALAI CENTRAL

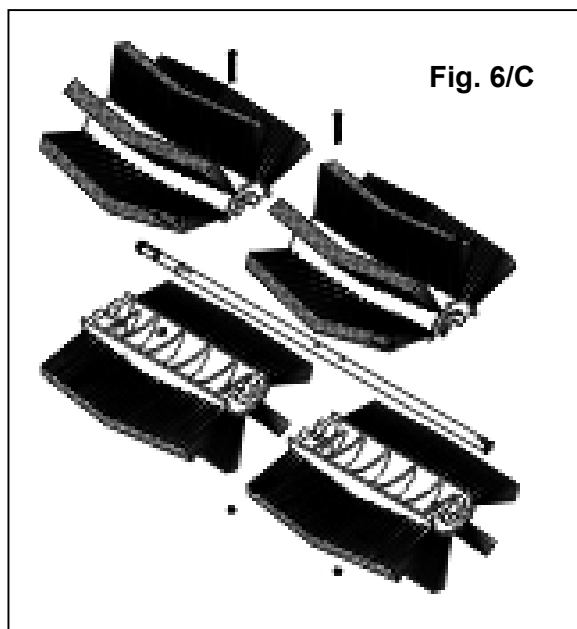
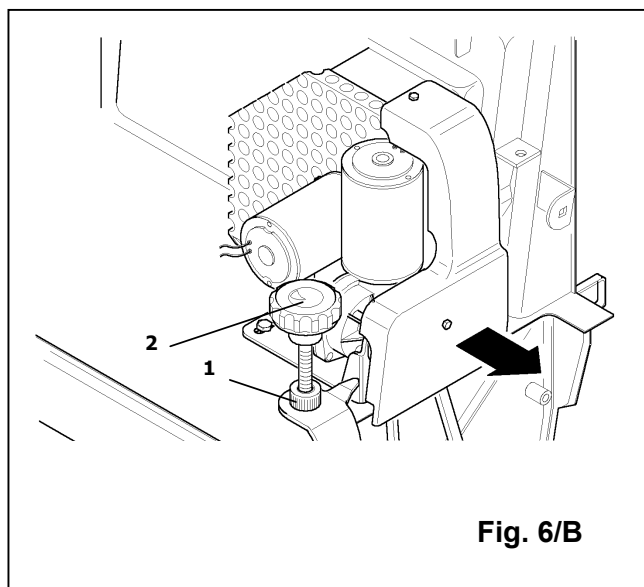
Remplacement (Fig.6/C)

Pour remplacer le balai central, retirer le bac avant de la machine, dévisser les 4 vis de fixation et enlever le balai. Pour remonter le balai neuf, respecter le sens de pose du balai qui doit acheminer la saleté vers le centre de la machine.

Réglage (Fig.6/B)

Pour régler le balai principal, retirer le capot supérieur, desserrer l'écrou de blocage **pos. 1 Fig. 6/B** et tourner le bouton **pos. 2 Fig. 6/B** (dans le sens contraire des aiguilles d'une montre pour augmenter la pression du balai).

Une fois le balai réglé bloquer de nouveau la bague d'arrêt.



5.7 – REMPLACEMENT ET REGLAGE DES COURROIES

Pour préparer la machine avant de remplacer une ou plusieurs courroies procéder de la manière suivante:

- enlever le capot supérieur et le bac avant.

5.7.1 – Remplacement de la courroie balai latéral

- Après avoir retiré la roue droite, dévisser les vis qui fixent le pare-chocs et le capot latéral droit et les retirer. La machine étant ainsi démontée il est possible de remplacer la courroie cassée.
- retirer la courroie **pos. 1 Fig. 9** de la poulie **pos. 2 Fig. 9**.
- Dévisser la goupille de fixation **pos. 3 Fig. 9** et faire sortir les crochets du bras latéral **pos. 4 Fig. 9** de la molette
- Retirer la courroie **pos. 1 Fig. 9** du bras latéral **pos. 4 Fig. 9**.
- Remplacer la courroie.
- Raccrocher le bras latéral **pos. 4 Fig. 9** sur la molette.
- Revisser la goupille **pos. 3 Fig. 9**.
- A l'aide de la clé cod. 9001451 (non fournie) tendre la courroie **pos. 1 Fig. 9/A** et la remettre en place sur la poulie **pos. 2 fig. 9/A**.

5.7.2 – Remplacement courroie de traction

- Après avoir retiré la roue gauche, dévisser les vis qui fixent le pare-chocs et le capot latéral gauche et les retirer. La machine étant ainsi démontée, il est possible de remplacer la courroie cassée.
- Retirer le capot de protection **pos. 1 Fig. 10/A**.
- Retirer la courroie **pos. 2 Fig. 10/B**.
- Enfiler la nouvelle courroie sur les poulies **pos. 3-4 Fig. 10/B**.

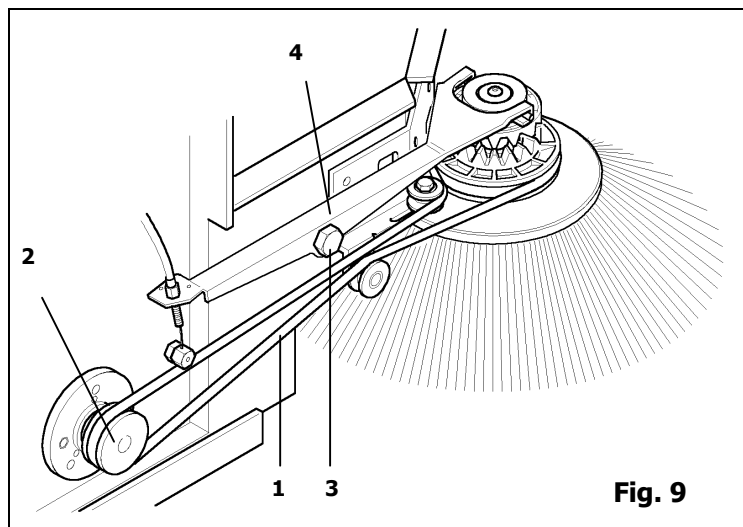


Fig. 9

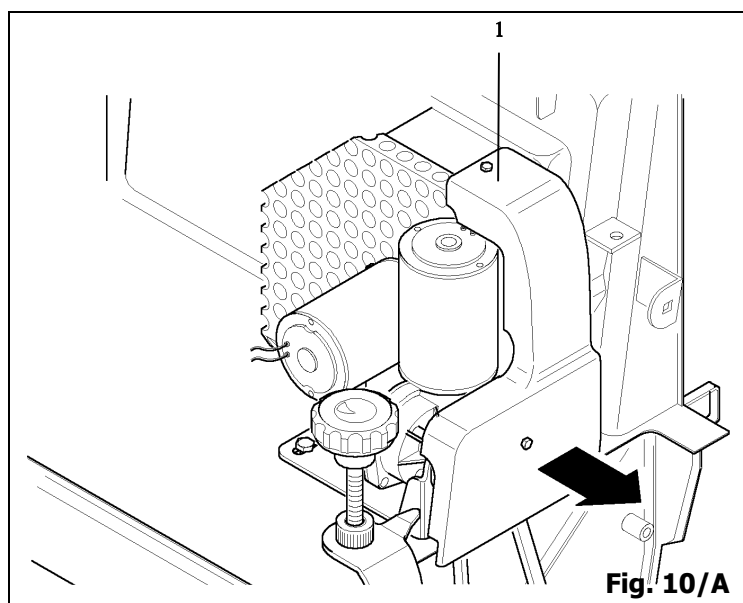


Fig. 10/A

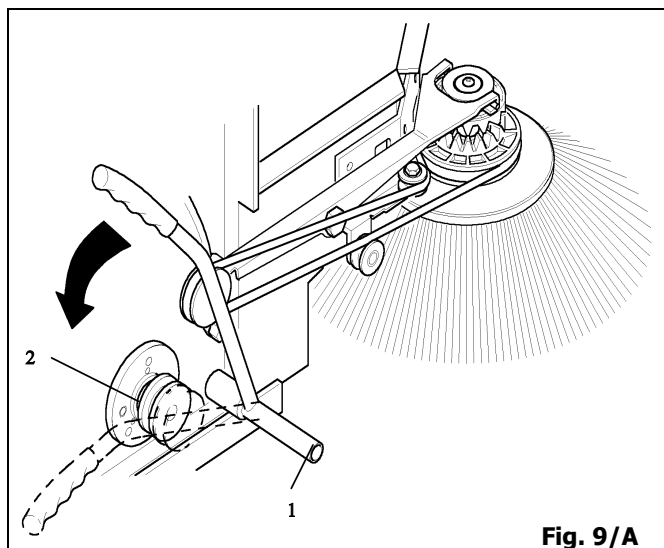


Fig. 9/A

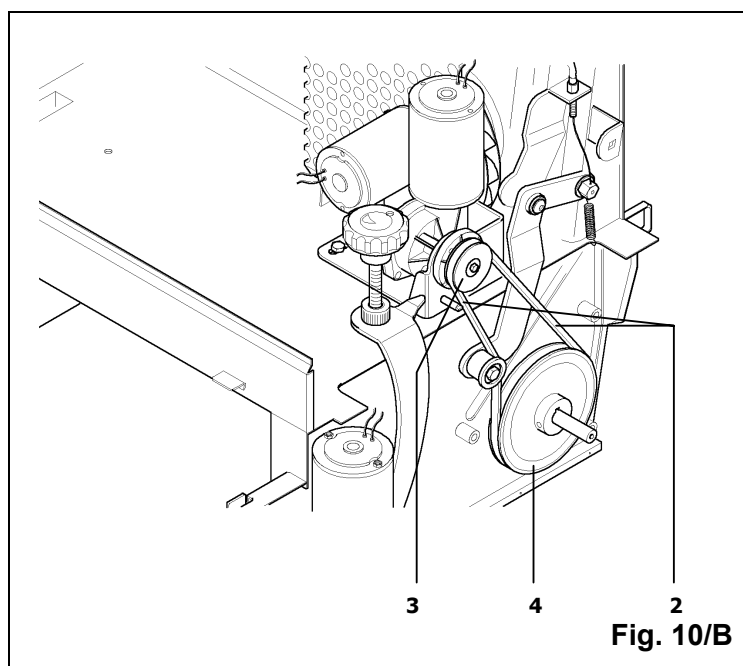


Fig. 10/B

5.8 – REMPLACEMENT DES FLAPS

5.8.1 – Flaps latéraux extérieurs

Pour remplacer les flaps latéraux **pos. 1 Fig. 11** retirer les roues arrière et la capots latéraux. Dévisser les vis qui fixent les flaps au châssis **pos. 2 Fig. 11** et les remplacer par des flaps neufs.

5.8.2 – Flaps latéraux intérieurs

Pour remplacer les flaps latéraux intérieurs **pos. 5 Fig. 11** soulever l'avant de la machine et dévisser les vis **pos. 6 Fig. 11** qui fixent les flaps au châssis. Les remplacer par des neufs.

5.8.3 – Flap central

- Retirer les roues arrière et les capots latéraux.
- Retirer le bac arrière.
- Dévisser les deux goupilles de fixation du flap **pos. 3 Fig. 11** placées de chaque côté du châssis.
- Saisir et tirer le flap **pos. 4 Fig. 11** vers l'extérieur.

Remontage:

- Insérer le flap dans la même direction que pour l'enlever.
- Insérer les deux témoins dans les trous.
- Visser les goupilles de fixation et remonter la machine.

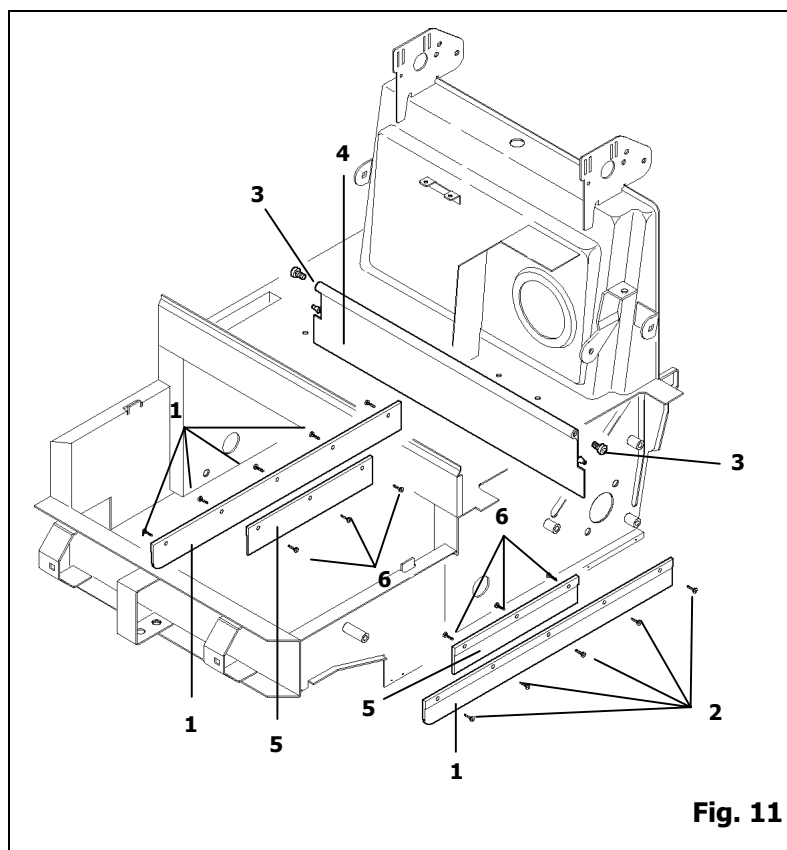


Fig. 11

5.9 – REMPLACEMENT ET REGLAGE DES CABLES

5.9.1 – Remplacement du câble de traction

Pour remplacer le câble de traction procéder de la façon suivante:

- Retirer le capot supérieur de la machine.
- Dévisser l'écrou placé sur la goupille de blocage du câble
- Dégager le câble de la goupille de blocage et retirer complètement le câble de la poignée de traction.

Pour remonter le câble:

- Introduire une extrémité du câble dans la vis de réglage de la poignée de traction (l'extrémité sans bille de blocage).
- Enfiler le câble dans la gaine.
- Accrocher la bille de blocage du câble à la poignée.
- Faire passer le câble d'abord à travers le tendeur fixé sur le châssis de la machine puis dans la goupille de blocage du câble.
- Serrer l'écrou de blocage.

Pour régler le câble agir sur les deux tendeurs jusqu'à atteindre la position voulue.

5.9.2 – Remplacement du câble lève-balai latéral

Pour remplacer le câble du lève-balai latéral procéder de la façon suivante:

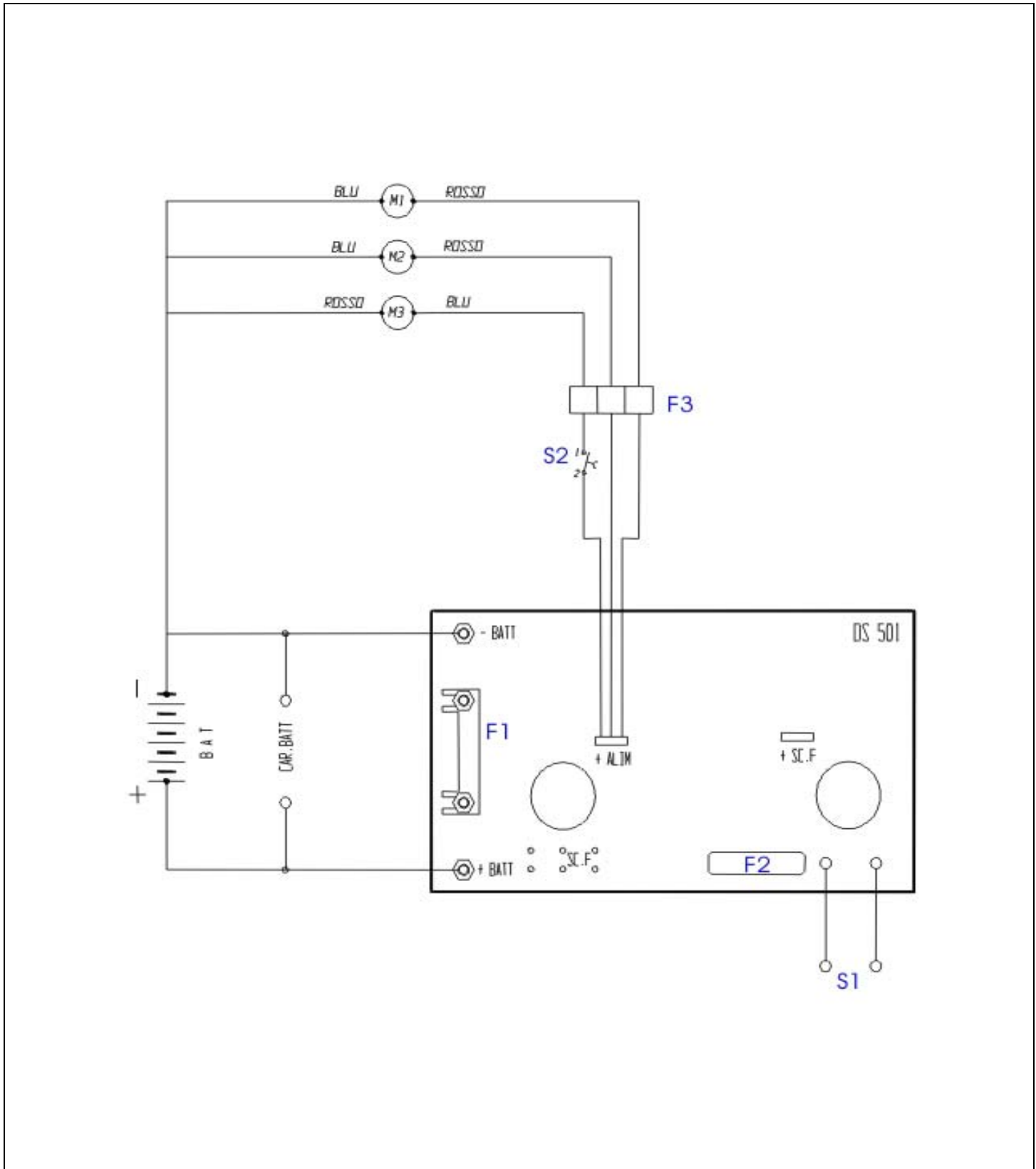
- Retirer le capot supérieur de la machine et la bac avant.
- Retirer le pare-chocs avant, la roue droite et le capot latéral droit.
- Dévisser le serre-câble.
- Dévisser l'écrou sur la goupille de fixation.
- Démontez la poignée de son support et l'ouvrir.
- Dégager le câble et le faire sortir des deux gaines.

Pour remonter le câble:

- Placer le câble dans la poignée.
- Fermer la poignée et la fixer sur son support.
- Enfiler les câbles dans les gaines.
- Bloquer une extrémité du câble avec le serre-fil et l'autre extrémité dans l'axe de fixation.

Pour régler le câble agir sur les deux registres jusqu'à atteindre la position voulue.

6.1.1 - SCHEMA ELECTRIQUE



- M1** Moteur balai central
- M2** Moteur traction
- M3** Moteur aspiration
- F1** Fusible 50A
- F2** Fusible 1A / 250 V

- F3** Fusible 30 A
- S1** Interrupteur à clé
- S2** Interrupteur aspiration
- Car.Batt** Prise chargeur de batterie

6.2 - PANNES-CAUSES-REMEDES

PANNE	CAUSE	REMEDE
Le balai central ne tourne pas	Courroie cassée	Remplacer
	Motoréducteur abîmé	S'adresser au SAV
	Fil débranché	S'adresser au SAV
Le balai latéral ne tourne pas	Courroie cassée	Remplacer
La batterie se décharge	Il manque du liquide (pour batterie plomb-acide))	Remplir
	Borne desserrée	Serrer
De la poussière sort du ventilateur	Filtre cassé	Remplacer
	Filtre mal placé	Remettre en place
	Joint usés	Remplacer
Les balais s'usent trop vite	Balais trop pressés	Régler
De la poussière sort pendant le fonctionnement	Flaps usés	Remplacer
	Filtre bouché	Nettoyer
Le moteur d'aspiration ne marche pas	Le moteur a brûlé	S'adresser au SAV
	Fil débranché	S'adresser au SAV
La machine ne se met pas en marche	Bornes batterie débranchées	Rebrancher
	Batteries déchargées	Recharger

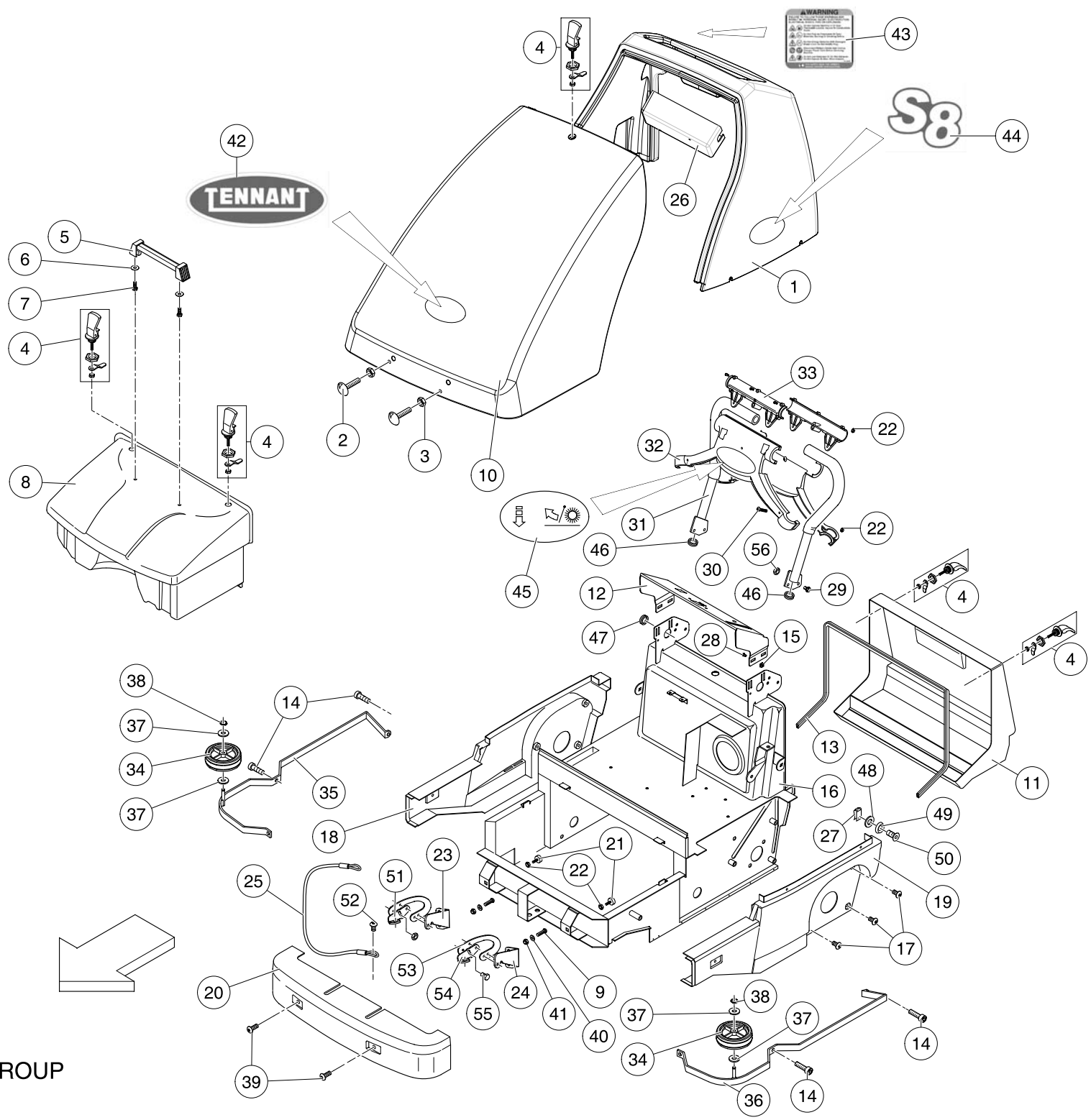
6.3 – MISE A LA CASSE DE LA MACHINE

Si vous décidez de mettre la machine à la casse nous vous rappelons que les batteries **NE PEUVENT PAS** être considérées comme des déchets ménagers et qu'elles doivent être éliminées selon la réglementation en vigueur. La machine étant un ensemble de plusieurs parties nous vous conseillons de la désassembler et de collecter les pièces de façon homogène selon la réglementation en vigueur.

NE PAS UTILISER DE PIECE DESTINEE A LA CASSE COMME PIECE DE RECHANGE, LES STOCKER HORS DE LA PORTEE DES ENFANTS.

NOTE

En cas d'autres mauvais fonctionnement, s'adresser au revendeur.

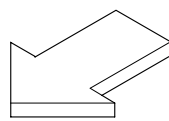
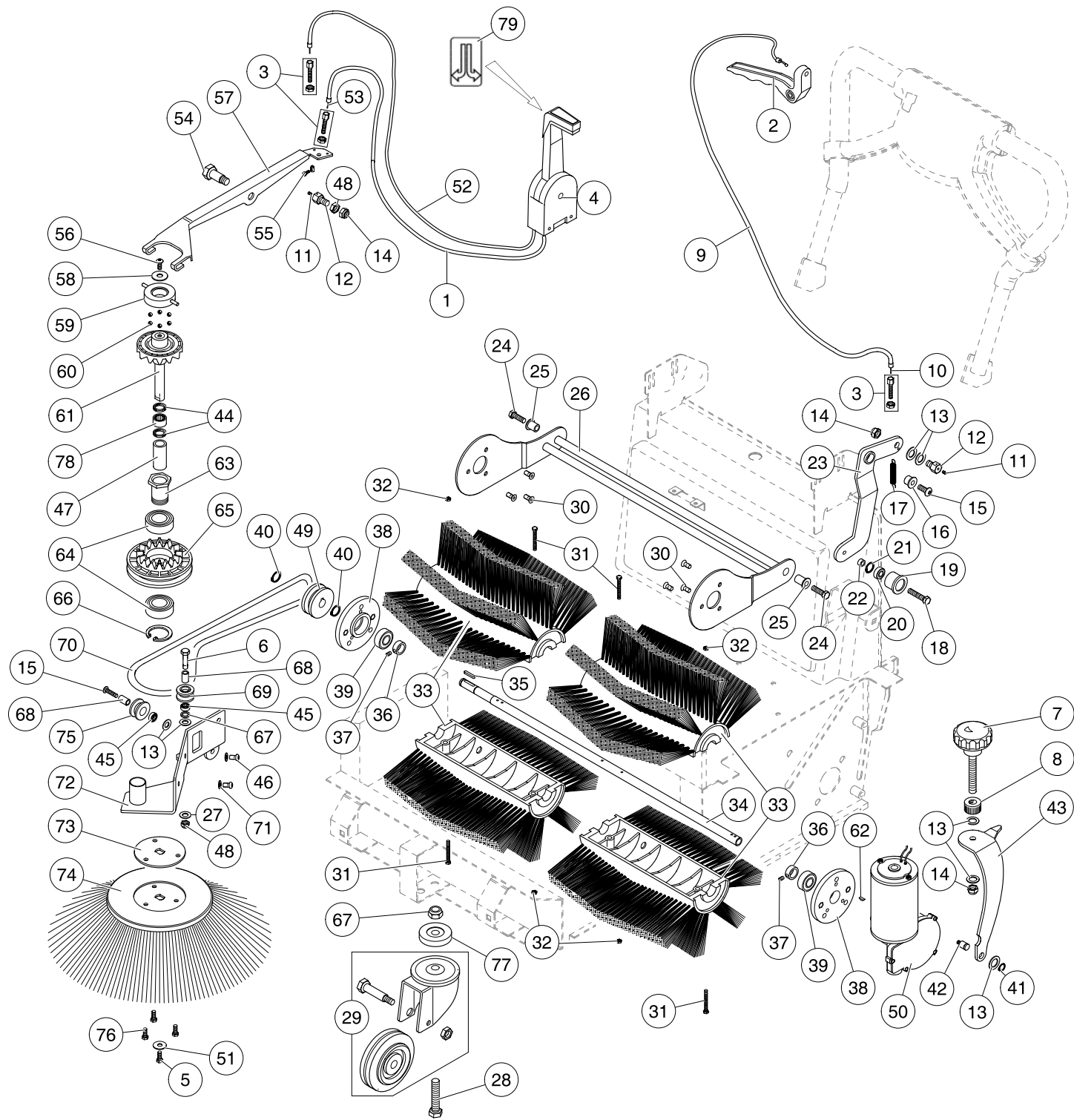


CHASSIS GROUP

CHASSIS GROUP:

Rif.	Code	Stock Item	Nº	Description	Descripción	Description
1	9001087		1	Cover, Upper, EU	Cárter superior	Capot Supérieur
	9001513		1	Cover, Upper, US w/ Warning Label	Cárter superior y Etiqueta "Warning" US	Capot Avec Etiquette "Attention" US
	9001517		1	Cover, Upper, JP w/ Warning Label	Cárter superior y Etiqueta "Warning" JP	Capot Avec Etiquette "Attention" JP
2	9001088		2	Screw, Fixing	Tornillo fijación cárter superior	Vis de fixation capot supérieur
3	612612		2	Nut, Hex, M8	Tuerca de bloqueo M8	Ecrou bloquant M 8
4	604215		5	Latch, Tek Locking	Cerradura TEK	Serrure TEK
5	9001089		1	Handle, Complete	Manija completa	Poignée complète
6	604159		2	Washer, Flat, 6 X 24	Arandela 6x24x2	Rondelle 6x24x2
7	9001092		2	Screw, Hex, M6 X 1.0 X 19, Flg	Tornillo autorroscante 6,3x19	Vis autotaraudeuse 6,3x19
8	9001093		1	Hopper, Front	Cajón delantero AF	Bac avant AF
9	9001094		2	Screw	Tornillo 6X16	Vis 6X16
10	9001095		1	Cover, Front	Cárter delantero	Capot Frontal
11	9001096		1	Hopper, Rear	Cajón trasero	Bac arrière
12	9001097		1	Bracket, Panel, Control	Tablero	Tableau de bord
13	604221	•	1	Gasket Reinforced	Junta cajón trasero	Joint bac arrière
14	604225		12	Screw, Btn, M8 X 1.25 X 16	Tornillo 8x16	Vis 8x16
15	9001098		4	Nut, M8 X 1.25	Tuerca prisionera	Ecrou cage
16	9001099		1	Frame, Mach [S8]	Bastidor TRAIL 520 ET	Châssis TRAIL 520 ET
17	069760096		8	Screw, Btn, M8X10	Tornillo 8x10	Vis 8x10
18	9001100		1	Fender, Rh	Cárter lateral DCHO	Capot latéral droit
19	9001101		1	Fender, Lh	Cárter lateral IZQ	Capot latéral gauche
20	9001102		1	Bumper, Front	Paragolpes frontal	Capot frontal
21	604227		2	Foot, 20X9 / M6X18	Pie 20x9 M6x18	Pied 20X9 M6X18
22	604226		4	Nut, Hex, M6 X 1.0	Tuerca M6	Ecrou M6
23	9001462		1	Bracket, Support, Hinge Dx	Soporte bisagra DCHO	Support charnière droite
24	9001465		1	Bracket, Support, Hinge Sx	Soporte bisagra IZQ	Support charnière gauche
25	9001105		1	Cable, Cover	Cable	Câble
26	9001106		1	Housing, Ele	Cárter tablero	Capot tableau de bord
27	9001107		4	Clip, Spring	Muelle de ajuste	Ressort clip

28	15678		4	Screw, Hex, M6 X 1.0 X 16, Ss	Tornillo 6X16	Vis 6X16
29	9001108		4	Screw, Hex, M8 X 1.25 X 16	Tornillo 8X16	Vis 8X16
30	9001109		2	Screw, Btn, M6 X 1.0 X 35, Te Fr	Tornillo 6X35	Vis 6X35
31	9001110		1	Handle, Set	Tubos mango	Tubes Poignée
32	9001111		1	Housing, Cable, Handle	Cárter manija tracción	Capot Poignée traction
33	9001112		1	Handle, Actuator, Traction	Manija tracción completa AF	Poignée traction complète AF
34	612614		2	Roller Side Bumper	Rueda Ø 150 gris/negra	Roue d.150 grise/noire
35	612616		1	Bracket, Bumper Right	Paragolpes lateral dcho	Pare-chocs latéral droit
36	612615		1	Bracket Bumper Left	Paragolpes lateral izq	Pare-chocs latéral gauche
37	604114		4	Washer, Flat, 8 X 17	Arandela 8x17	Rondelle 8x17
38	612613		2	Ring Outter Snap Dia. 8	Arandela seeger exterior Ø 8	Bague Seeger extérieure d.8
39	604162		2	Screw, Hex, M8 X 1.25 X 22	Tornillo 8x22	Vis 8x22
40	604086		2	Washer, Flat, 6 X 12	Arandela 6x12	Rondelle 6x12
41	604087		2	Nut, Block, M6 X 1.0	Tuerca de seguridad M6	Ecrou bloquant M6
42	1021146		1	Label, Logo, Tennant, Oval, 102L Wht	Etiqueta "Tennant"	Etiquette "Tennant"
43	614202		1	Label, Warning, Na	Etiqueta "Warning" US	Etiquette "Attention" US
	1021149		1	Label, Warning, Jp	Etiqueta "Warning" JP	Etiquette "Attention" JP
44	1021147		2	Label, Model, [S8]	Etiqueta "S8"	Etiquette "S8"
45	1022607		1	Label, Control, Oval, Flap & Propel	Etiqueta	Etiquette
46	9001471		2	Grommet, Tube	Prensaestopas	Passe-câble
47	9001472		1	Grommet	Prensaestopas	Passe-câble
48	604114		2	Washer, Flat, 8 X 17	Arandela 8x17	Rondelle 8x17
49	9001476		2	Washer	Arandela	Rondelle
50	9001478		2	Screw, Tsce 6X30	Tornillo 6X30	Vis 6X30
51	9001463		1	Bracket, Appendix, Hinge Dx	Apéndice bisagra DCHO	Appendice charnière droite
52	9001481		1	Screw, Tb Ce 6X25	Tornillo 6X25	Vis 6X25
53	9001464		2	Bracket, Hinge, Dx / Sx	Bisagra DCHA/IZQ	Charnière droite/gauche
54	9001466		1	Bracket, Appendix, Hinge Sx	Apéndice bisagra IZQ	Appendice charnière gauche
55	9001480		4	Screw, Te Fr 6X10	Tornillo 6X10	Vis 6X10
56	9001098		1	Nut	Tuerca M8	Écrou M8



BRUSH GROUP

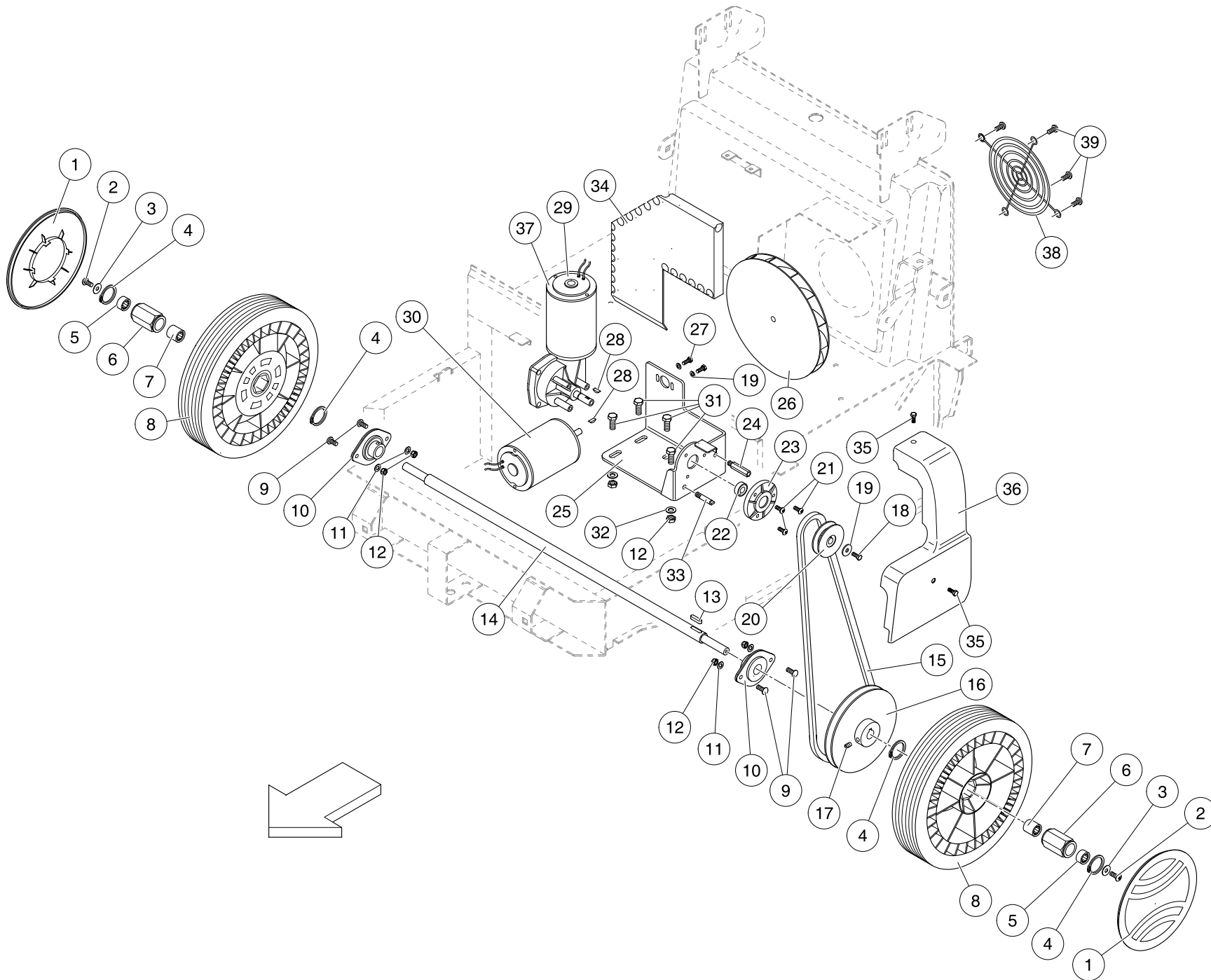
BRUSH GROUP:

Rif.	Code	Stock Item	N°	Description	Descripción	Description
1	9001113		1	Sheathing, Side Brush	Vaina disp. levantar cepillo lateral	Gaine lève-balai latéral
2	9001114		1	Lever, Traction Actuator	Manija tracción completa AF	Poignée traction complète AF
3	604105		3	Adjuster, Cable, Turned 07	Regulador torneado Ø 7	Boulon de réglage Ø 7
4	612633		1	Lever, Side Brush Drive	Palanca accionamiento disp. levantar cepillo later.	Levier de comande balai latéral
5	15678		1	Screw, Hex, M6 X 1.0 X 16, Ss	Tornillo 6x16	Vis 6x16
6	604116		3	Screw, Hex, M8 X 1.25 X 25	Tornillo 8x25	Vis 8x25
7	604108			Handwheel, 60Mm D, M12 X 67	Volante Ø60 M12x67	Molette Ø 60 M12x67
8	604109		1	Nut, Ring, Knurl, 40Mm D X M12	Casquillo estriado Ø 40 M12	Bague moletée Ø 40 M12
9	612634		1	Sheath Drive Cable	Vaina cable tracción	Gaine câble traction
10	612635	•	1	Cable Drive	Cable tracción	Câble traction
11	604112		2	Screw, Set, M5 X 0.8 X 6, Soc	Pasador 5x6	Vis d'arrêt 5x6
12	604113		2	Screw, Wire Fixing	Tornillo CH 17 h 28 fijación cable	Vis CH 17 h 28 fixation câble
13	604114		7	Washer, Flat, 8 X 17	Arandela 8x17	Rondelle 8x17
14	604115		3	Nut, Block, M8 X 1.25	Tuerca de seguridad M8	Ecrou bloquant M 8
15	39277		3	Screw, Hex, M8 X 1.25 X 25	Tornillo 8x25	Vis 8x25
16	604117		1	Bushing, Lever Belt Tightner	Casquillo palanca tensor de correa	Douille levier tendeur de courroie
17	604118		1	Spring, Extn, Traction	Muelle tracción	Ressort traction
18	604119		1	Screw, Belt Tightener Roller	Tornillo de bloqueo rodillo tensor de correa	Vis de blocage tend. de courroie
19	604120		1	Roller, Belt Tightener H15	Rodillo tensor de correa h15	Rouleau tendeur de courroie h15
20	604121		1	Bearing, Ball, 608 2Rs	Cojinete 608 2RS	Palier 608 2RS
21	604122		1	Ring, Retaining, 22Mm D, Inner Snap	Arandela seeger interior Ø 22	Bague Seeger intérieure Ø 22
22	604123		1	Spacer	Distanciador Ø12 h 3,5	Entretoise Ø12 h 3,5
23	604124		1	Bracket, Belt Tightening	Placa tensor de correa	Bride tendeur de courroie
24	604125		2	Screw, Btn, M8	Perno para balancín	Goujon pour culbuteur
25	604126		2	Bushing, Rocker	Casquillo para balancín	Douille culbuteur
26	604127		1	Rocker	Balancín	Culbuteur
27	9001115		2	Washer, Flat, 8 X 14	Arandela 8x14	Rondelle 8x14
28	9001116		1	Screw, Hex, M12 X 60	Tornillo TE 12x60	Vis TE 12x60

9001646 2 BRUSH, MAIN, BLK/WHT/BRASS STD

29	604130		1	Wheel, Caster, 100Mm D, Gray	Rueda gris Ø 100 soporte giratorio	Roue grise Ø100 support pivotant
	9001117		1	Wheel, Caster, 100Mm D, Black	Rueda negra Ø 100 soporte giratorio	Roue noire Ø100 support pivotant
30	1016421		6	Screw, Flt, M6 X 1.0 X 20, SS	Tornillo 6x20	Vis 6x20
31	604140		4	Screw, Soc, M5 X .8 X 70	Tornillo 5x70	Vis 5x70
32	604141		4	Nut, Sq, M5 X .8	Tuerca M5	Ecrou M5
33	604624	•	2	Brush, Main, WHT Stiff (1pc=2 Brushes)	Cepillo central	Balai central
	604302	•	2	Brushes Set Main (1pc=2 Brushes)	Cepillo central	Balai central
	604625	•	2	Brush, Main, Brass (1pc=2 Brushes)	Cepillo central	Balai central
34	604142		1	Shaft, Brush	Eje cepillo central	Arbre balai
35	604143		1	Key, Sq, 5 X 5 X 15	Chaveta 5x5x15	Clavette 5X5X15
36	604144		2	Spacer Brush Shaft	Distanciador eje cepillo	Entretoise arbre balai
37	604145		2	Screw, Set, M6 X 1.0 X 5	Pasador 6x5	Vis d'arrêt 6x5
38	612637		2	Support, Bearing	Soporte cojinete Ø 80	Siège palier Ø80
39	604147		2	Bearing, Ball, 6202 2RS	Cojinete 6202 2RS	Palier 6202 2RS
40	604148		3	Ring, Retaining, 15Mm D, Outer Snap	Arandela seeger exterior Ø 15	Bague Seeger extérieure Ø 15
41	604149		1	Ring, Retaining, 12Mm D, Outer Snap	Arandela seeger exterior Ø 12	Bague Seeger extérieure Ø 12
42	604150		1	Pin, Pivot, Brush Adj	Perno fijación regulación cepillo	Goujon fixation réglage balai
43	604151		1	Bracket, Brush Adj	Placa regulación cepillo central	Bride réglage balai centrale
44	604152		2	Washer, Side Brush Arm, Felt	Arandela de fieltro para brazo lateral	Rondelle feutre pour bras latéral
45	604153		2	Bearing, Ball, Hk 1012	Cojinete HK 1012	Palier HK 1012
46	604154		2	Screw, Hex, M8 X 1.25 X 10	Tornillo 8x10	Vis 8x10
47	604155		1	Spacer, Side Brush Shaft	Distanciador eje cepillo lateral	Entretoise arbre balai latéral
48	612612		2	Nut, Hex, M8	Tuerca M8	Écrou M8
49	604157		1	Pulley, Drive	Polea cepillo lateral	Poulie balai latéral
50	604158	603338	1	Motor, Ele, Brush Drive EU	Motorreductor Ø 77	Motoréducteur Ø77
	9001120	604158	1	Motor, Ele, Gear, 77D, US & JP	Motorreductor Ø 77 BIG	Motoréducteur Ø77 BIG
51	604159		1	Washer, Flat, 6 X 24	Arandela 6x24	Rondelle 6x24
52	9001121		1	Cover, Cable, Side Brush	Vaina cepillo lateral	Gaine balai latéral
53	9001122	•	1	Cable, Side Brush Lifting	Cable disp. levantar cepillo lateral	Câble lève-balai latéral
54	604160		1	Bolt, Shld, 17Mmd X 34Mm	Perno CH17 h 34	Goujon CH 17 h 34
55	604161		1	Clamp 07	Sujetador Ø 7	Boulon de blocage Ø7
56	604162		1	Screw, Hex, M8 X 1.25 X 22	Tornillo 8x22	Vis 8x22
57	604163		1	Lever, Side Brush Lift	Palanca levantamiento cepillo lateral	Levier soulèvement balai latéral

58	604164		1	Washer, Flat, 8 X 32	Arandela 8x32	Rondelle 8x32
59	604165		1	Ring, Side Brush Bearing	Anillo cojinete cepillo lateral	Bague palier balai latéral
60	604166		6	Bearing, Ball, 11/32"	Bolas 11/32"	Billes 11/32"
61	604167		1	Ring, Side Brush Toothed	Anillo dentado movimiento cepillo later.	Couronne dentée mouvement balai latéral
62	604103		1	Key, Sq, 3 X 3 X 3.7	Chaveta 3x3,7	Clé 3X3,7
63	604169		1	Bushing, Bearing	Casquillo portacojinetes	Douille porte-paliers
64	604170		2	Bearing, Ball, 6005 2Rs	Cojinete 6005 2RS	Palier 6005 2RS
65	604171		1	Ring, Idler, Toothed	Anillo dentado loco	Couronne dentée folle
66	604172		1	Ring, Retaining, 25Mm D, Outer Snap	Arandela seeger exterior Ø 25	Bague Seeger externe Ø 25
67	604173		1	Nut, Block, M12	Tuerca de seguridad M 12	Ecrou bloquant M 12
68	604174		2	Spacer	Distanciador Ø 10 h 15,6	Entretoise Ø 10 h 15,6
69	604175		1	Pulley, Idler, 27D X 15	Polea Ø 27x15	Poulie Ø 27X15
70	612641	•	1	Belt, Brush, Side	Correa Ø 8 Sv. 1000	Courroie 8 Sv. 1000
71	604176		2	Washer, Flat, 8 X 24	Arandela 8x24	Rondelle 8x24
72	604177		1	Support, Side Brush	Soporte cepillo lateral	Support balai latéral
73	604178		1	Flange, Side Brush, Drag	Brida arrastre cepillo later.	Flasque entraînement balai latéral
74	603337	•	1	Brush, Side	Cepillo lateral	Balai latéral
	604626	•	1	Brush, Side, Stiff	Cepillo lateral	Balai latéral
75	604179		1	Pulley, Idler, 30D X 15	Polea Ø 30 x 15	Poulie Ø 30X15
76	604180		3	Screw, Hex, M6 X 1.0 X 10, Flg	Tornillo 6x10	Vis 6x10
77	612642		1	Spacer, 16Mm Thick US , JP	Distanciador h. 16	Entretoise h 16
	9001123		1	Spacer, 10Mm Thick EU	Distanciador h. 10	Entretoise h 10
78	604082		1	Bearing, Needle, Hk 1412	Cojinete HK 1412	Palier HK 1412
79	1022608		1	Label, Control, Side Brush	Etiqueta	Etiquette

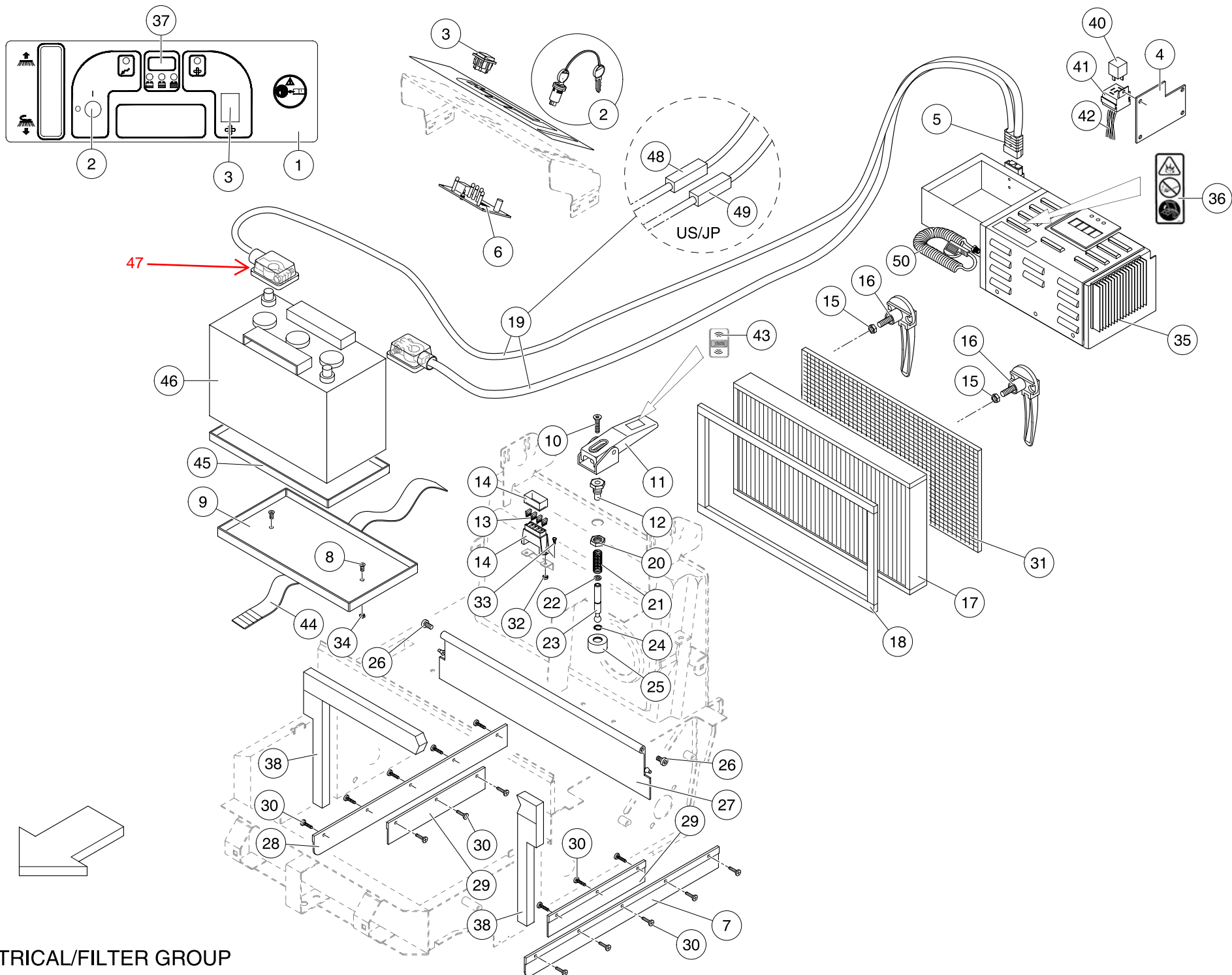


DRIVE GROUP

DRIVE GROUP:

Rif.	Code	Stock Item	N°	Description	Descripción	Description
1	9001124		2	Cover, Wheel 200 Dia	Cubreruedas Ø 200	Couvre roue Ø 200
2	604077		2	Screw, Btn, M6 X 1.0 X 10	Tornillo 6x10	Vis 6x10
3	604159		2	Washer, Flat, 6 X 24	Arandela 6x24	Rondelle 6x24
4	604079		4	Ring, Retaining, 28Mm D, Outer Snap	Arandela seeger exterior Ø 28	Bague Seeger externe Ø 28
5	604080		2	Bearing, Needle, Hfl 1426	Cojinete HFL 1426	Palier HFL 1426
6	604081		2	Bushing, Hex	Casquillo hexagonal	Douille hexagonale
7	604082		2	Bearing, Needle, Hk 1412	Cojinete HK 1412	Palier KH 1412
8	612626		2	Wheel, 250D X 55 Blk/Blk	Rueda de goma Ø 250x55 negra / negra	Roue caoutchouc Ø 250x55 noir / noir
	9001125		2	Wheel, 250D X 55 Gray/Blk	Rueda de goma Ø 250x55 gris / negra	Roue caoutchouc Ø 250x55 gris / noir
9	604084		4	Screw, M6 X 16	Tornillo 6x10	Vis 6x10
10	604085		2	Seal, Support	Soporte SBPFL 203	Support SBPFL 203
11	604086		4	Washer, Flat, 6 X 12	Arandela 6x12	Rondelle 6x12
12	604087		8	Nut, Block, M6 X 1.0	Tuerca de seguridad M6	Ecrou bloquant M6
13	612627		1	Key, Sq, 5 X 5 X 15	Chaveta 5x5x25	Clavette 5x5x25
14	604089		1	Shaft, Drive	Eje tracción	Arbre traction
15	603357	•	1	Belt, Drive	Correa Z30 3/4	Courroie Z30 3/4
16	604090		1	Pulley, Drive	Polea Ø 140	Poulie Ø 140
17	604091		1	Screw, Set, M6 X 1.0 X 10	Pasador 6x10	Vis d'arrêt 6x10
18	604092		1	Screw, Hex, M4 X 0.7 X 12	Tornillo TE 4x12	Vis TE 4x12
19	604093		3	Washer, Flat, 5 X 20	Arandela 5x20	Rondelle 5x20
20	604094		1	Pulley, Drive, 55D	Polea Ø 55	Poulie Ø 55
21	612628		3	Screw, Btn, M6 X 1.0 X 25	Tornillo 6x20	Vis 6x20
22	604096		1	Bearing, Ball, 600 2Rs	Cojinete 6000 2RS	Palier 6000 2RS
23	604097		1	Support, Bearing	Soporte cojinete	Support palier
24	604098		1	Pin, Belt Support	Perno sostén correa	Goujon soutien courroie
25	604099		1	Support, Drive Motor	Soporte motores	Support moteurs
26	603354		1	Impeller, Fan 200Mm D	Ventilador Ø 200	Ventilateur Ø 200
27	9001126		2	Screw, Hex, M5 X 0.8 X 10	Tornillo TE 5x10	Vis TE 5x10

28	604103		2	Key, Sq, 3 X 3 X 3.7	Chaveta 3x3,7	Clavette 3x3,7
29	603338		1	Motor, Sweeper w/ Gearbox	Motorreductor tracción Ø 77	Motoréducteur taction Ø 77
30	603340		1	Motor, Ele, Fan, 12V, 77Mm D	Motor Ø 77 Eje liso	Moteur Ø77 arbre lisse
31	15678		4	Screw, Hex, M6 X 1.0 X 16, Ss	Tornillo 6x16	Vis 6x16
32	604102		4	Washer, Flat, 6 X 18	Arandela 6x18	Rondelle 6x18
33	606517		1	Pin, Pulley Guard Mount	Perno fijación cárter	Pivot fixation capot
34	606427		1	Guard, Fan	Rejilla protección ventilador	Grille ptotection ventilateur
35	604180		1	Screw, Pan, M6 X 1.0 X 10, Phl	Tornillo 6x10	Vis 6x10
36	606428		1	Duct, Air Conveyor	Deflector aire	Convoyeur air
37	612629		1	Gear, Reduction Traction Motor	Engranaje reductor	Engrenage réducteur
38	9001461		1	Grill, Protection, Fan	Rejilla protección ventilador	Grille ptotection ventilateur
39	9001477		4	Screw	Tornillo	Vis



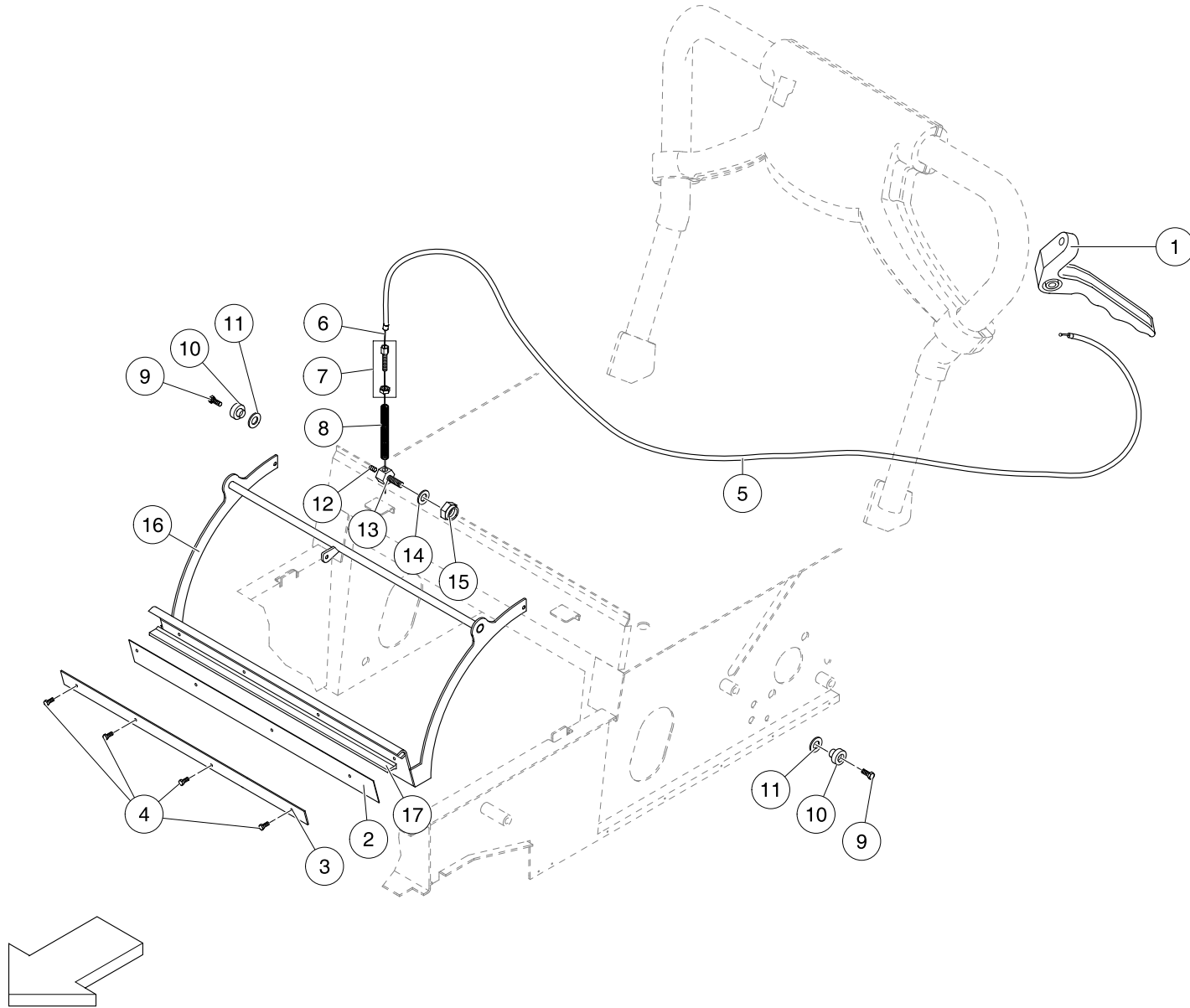
ELECTRICAL/FILTER GROUP

ELECTRICAL/FILTER GROUP:

Rif.	Code	Stock Item	N°	Description	Descripción	Description
1	9001127		1	Plate, Panel, Cntrl	Etiqueta cuadro	Etiquette tableau de bord
2	1011402	•	1	Switch, Key (includes 2 keys)	Interruptor de llave para batería	Interrupteur à Clé pour batterie
	1017696	•		Key, Replacement (1Pc=Set Of 2)	Llave	Clé
3	604184		1	Switch, Bipolar	Interruptor bipolar	Interrupteur bipolaire
4	9001467		2	Bracket, Stirrup, Batery	Placa cargador batería	Bride chargeur de batterie
5	12828		1	Connector, Cable, Blk, 1-Wire US/JP	Conector cargador batería US/JP	Connecteur Chargeur de batterie US/JP
	12827		1	Connector, Cable, Red, 1-Wire US/JP	Conector cargador batería EU	Connecteur Chargeur de batterie EU
	604186		1	Connector, Cable, Gray, EU		
6	603342		1	Circuitboard, Main	Tarjeta de mando 12V con bloqueo	Carte de commande 12V avec blocage
7	612617	•	1	Skirt, Flap, LH, Gray	Flap lateral izquierdo gris	Flap latéral gauche gris
	9001129	•		Skirt, Flap, LH, Blk	Flap lateral izquierdo negro	Flap latéral gauche noir
8	612618		2	Screw, Flt, M4 X 0.7 X 16, Soc	Tornillo TE 5x16	Vis TE 5x16
9	1022611		1	Tray, Battery	Alojamiento batería	Coffret batterie
10	612619		1	Screw, Flt, M6 X 1.0 X 16, Soc	Tornillo 6x16	Vis 6x16
11	604192		1	Lever, Filter Shaker	Palanca sacudidor de filtro completa	Levier secoueur de filtre complet
12	604193		1	Rail, Filter Shaker	Guía sacudidor de filtro	Guide secoueur de filtre
13	603358	•	3	Fuse, 30A	Fusible 30A	Fusible à lame 30 A
14	604194		1	Cover, Fusebox	Portafusibles 4 vías + tapa	Boîtier fusibles 4 voies + couvercle
15	612612		2	Nut, Hex, M8	Tuerca M8	Ecrou M8
16	604196		2	Latch, Filter Handle	Manija de bloqueo filtro	Poignée blocage filtre
17	607586	•	1	Filter, Hospital Grade	Filtro papel	Filtre Papier
	9001131	•		Filter, Paper	Filtro poliéster	Filtre Polyester
18	603359	•	1	Gasket Kit, Fltr, 4 Pieces	KIT mousse para filtro	Kit mousse pour filtre
19	612621	•	1	Cable, Battery EU (includes connectors)	Instalación eléctrica EU (conectores incluido)	Installation électrique EU (connecteurs inclus)
	9001512	•	1	Cable, Battery US /JP (includes connectors)	Instalación eléctrica US/JP (conectores incluido)	Système électrique US/JP (connecteurs inclus)
20	604198		1	Nut, Hex, M18	Tuerca M18	Ecrou M18
21	604199		1	Spring, Cmpr, Filter Shaker	Muelle compresión sacudidor de filtro	Ressort secoueur de filtre

22	604200		1	Gasket Or 106	Junta tórica OR 106	Joint OR 106
23	604201		1	Pin	Perno de bola	Tige à rotule
24	604202		1	Ring, Retaining, 16Mm D, Inner Snap	Arandela seeger interior Ø 16	Bague Seeger interne Ø 16
25	604203		1	Bar, Filter Shaker Articulator	Masa articulada	Articulation
26	604204		2	Screw, Btn, M10 X 16	Tornillo 10x16	Vis 10x16
27	604205	•	1	Flap, Backside	Flap trasero	Flap arrière
28	612622	•	1	Blade, Flap, Right Side	Flap lateral derecho gris	Flap latéral droite gris
	9001132	•		Skirt, Flap, Right Side, Blk	Flap lateral derecho negro	Flap latéral droite noir
29	612623	•	2	Blade, Flap, Inner	Flap interior bastidor gris	Flap interne châssis gris
	9001133	•		Skirt, Flap, Inner, Blk	Flap interior bastidor negro	Flap interne châssis noir
30	604208		16	Screw, Flt, M3.5 X 9.5, Phl	Tornillo autorosc. TC 3,5x9,5	Vis autotaraudeuse TC 3,5x9,5
31	609971		1	Kit, Pre-Filter	Prefiltro	Pré-filtre
32	604210		8	Nut, M4 X .7	Tuerca M4	Ecrou M4
33	9001479		2	Screw, 4X16	Tornillo TE 4x16	Vis TE 4x16
34	604141		2	Nut, Sq, M5 X .8	Tuerca M5	Ecrou M5
35	9001455		1	Charger, Battery EU	Alojamiento cargador batería EU	Coffret chargeur de batterie EU
	9001456		1	Charger, Battery US	Alojamiento cargador batería US	Coffret chargeur de batterie US
	9001457		1	Charger, Battery JP	Alojamiento cargador batería JP	Coffret chargeur de batterie JP
	9001458		1	Charger, Battery UK	Alojamiento cargador batería UK	Coffret chargeur de batterie UK
36	630422		1	Label, Battery Charge,Textless	Etiqueta	Étiquette
37	604212		1	Gauge, Hourmeter, Lcd	Temporizador cuentahoras	Compteur d'heures
38	9001139		1	Kit, Adhesive, Front Drawer	KIT mousse cajón delantero	Kit mousse bac avant
40	9001469		1	Relay	Relé	Relais
41	9001470		1	Adapter, Mount, Relay	Casquillo porta-relé	Socle relais
42	9001468		1	Harness, Wiring, Relay	Cables relé	Câblage relais
43	9001459		1	Label, Latch	Etiqueta	Étiquette
44	9001475		1	Strap, Battery	Correa	Courroie
45	9001473		1	Tray, Battery, Supplimentary	Alojamiento batería adicional	Coffret batterie supplémentaire
46	995129		1	Battery Kit Semi Traction 12V/85Ah -EU	Kit Batería Semi-Tracción 12V/85Ah -EU	Kit batterie semi traction 12V/85Ah - EU
	995130		1	Battery Kit Gel 12V/70Ah -EU	Kit Batería tipo GEL 12V/70Ah -EU	Kit batterie type GEL 12V/70 Ah - EU
46	995131		1	Battery Kit Tract. Monoblocs 12V/79Ah -EU	Kit Batería Tracc. Monobloques 12V/79Ah - EU	Kit batterie tract. Monoblocs 12V/79 Ah - EU
	1022610		1	Battery, 12VDC 70Ah -US/JP	Batería, 12VDC 70Ah -US/JP	Batterie 12VDC 70 Ah – US/JP
47	600988		2	Terminal, Battery, Cable	Bornes cable batería	Borne câble batterie

48	12828	1	Connector,Cable, Blk, 1-wire	Conector cargador batería US/JP negro	Connecteur Chargeur de batterie noir US/JP
49	12827	1	Connector,Cable, Red, 1-wire	Conector cargador batería US/JP rojo	Connecteur Chargeur de batterie US/JP rouge
50	9001140	1	Cable, Main 110V US/JP	Cable cargador batería 110V US/JP	Connecteur Chargeur de batterie US/JP
	9001141	1	Cable, Main 230V EU	Cable cargador batería 230V EU	Connecteur Chargeur de batterie EU
	9001142	1	Cable, Main 240V UK	Cable cargador batería 240V UK	Connecteur Chargeur de batterie UK

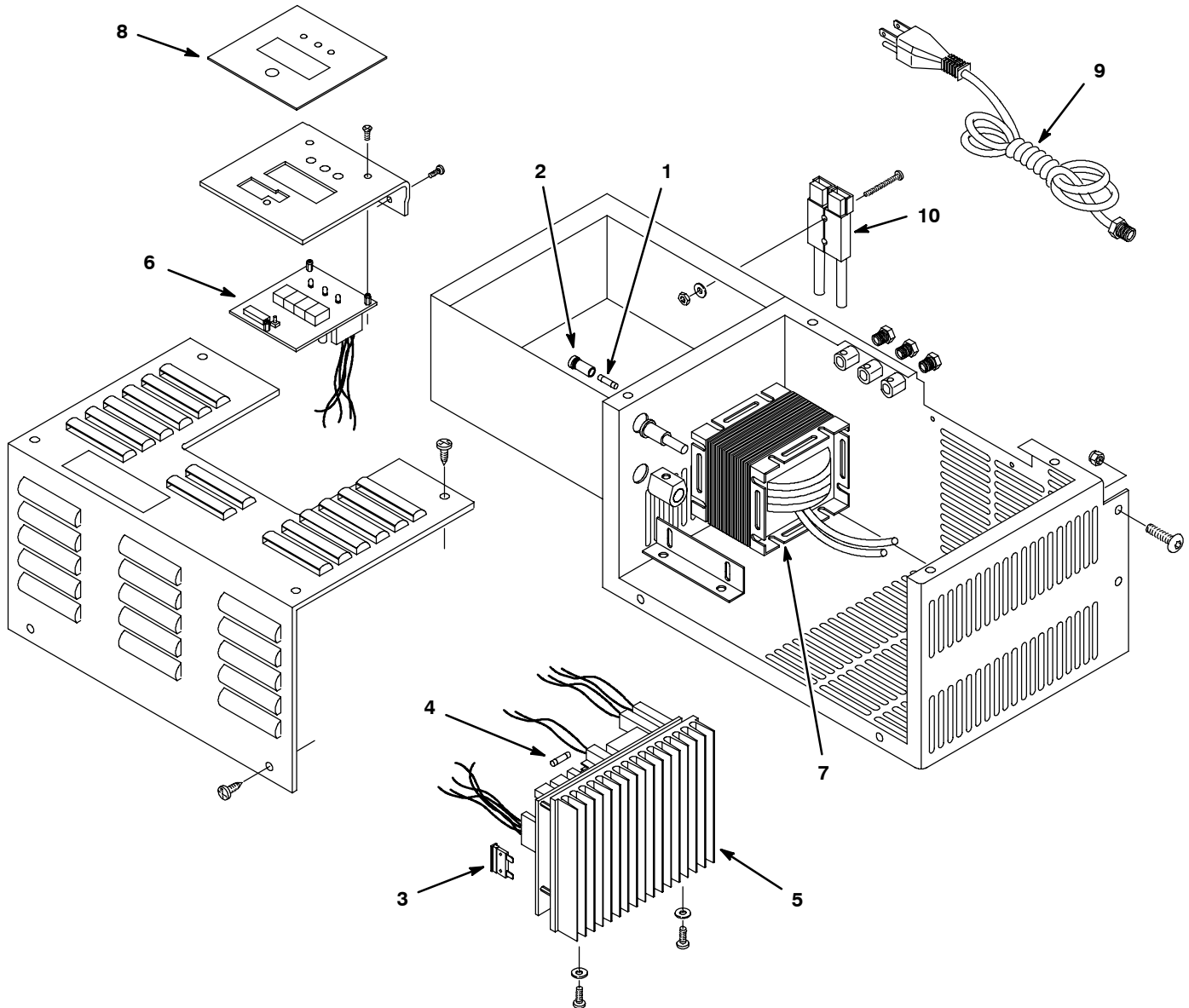


LARGE DEBRIS FLAP GROUP

LARGE DEBRIS FLAP GROUP:

Rif.	Code	Stock Item	N°	Description	Descripción	Description
1	9001153		1	Lever, Flap Actuator	Manija completa	Poignée complète
2	9001163		1	Skirt, Flap, Rubber	Goma	Lame caoutchouc
3	9001460		1	Strap, Rubber	Sujetador de la goma	Fixation lame
4	604208		4 (5)	Screw, Flt, M3.5 X 9.5, Phl	Tornillo autorrosc. TC 3,9 x 9,5	Vis autotaraudeuse TC 3,9 x 9,5
5	9001154		1	Conduit, Sheathing For Cable	Vaina	Gaine
6	612635		1	Cable Drive	Cable	Câble
7	604105		1	Adjuster, Cable, Turned 07	Regulador torneado Ø 7	Boulon de réglage Ø 7
8	9001156		1	Spring, Cmpr	Muelle	Ressort
9	9001157		2	Screw, Btn, M8X22	Tornillo 8x22	Vis 8x22
10	9001158		2	Bushing	Casquillo balancín disp. levantar flap	Douille culbuteur soulèvement flap
11	604176		2	Washer, Flat, 8 X 24	Arandela 8x24	Rondelle 8x24
12	9001159		1	Screw, Hex, M5 X 0.8 X 12	Tornillo 5 x 12	Vis 5 x 12
13	604113		1	Screw, Wire Fixing	Tornillo CH 17 h 28 fijación hilo	Vis CH 17 h 28 fixation câble
14	604114		1	Washer, Flat, 8 X 17	Arandela 8 X 17	Rondelle 8 X 17
15	604115		1	Nut, Block, M8 X 1.25	Tuerca de seguridad M8	Ecrou bloquant M 8
16	9001161		1	Flap, Rise Rocker	Balancín levantar flap	Culbuteur soulèvement flap
17	9001162		1	Skirt, Flap, Rubber	Junta	Joint

S8 SWEEPER ON-BOARD CHARGER REPLACEMENT PARTS LIST



REF	PART #	DESCRIPTION
	9001455	CHARGER, BATTERY, 230V/12V-12A [EU]
	9001456	CHARGER, BATTERY, 120V/12V-12A [US]
	9001457	CHARGER, BATTERY, 100V/12V-12A [JP]
	9001458	CHARGER, BATTERY, 240V/12V-12A [UK]
1	9001648	FUSE, MAIN SUPPLY, 3.15A [EU/UK]
	9001693	FUSE, MAIN SUPPLY, 4A [US]
	9001656	FUSE, MAIN SUPPLY, 6.3A [JP]
2	9001649	MOUNT, FUSE 16.3X32
3	9001650	FUSE, OUTPUT, 12A CHRGR
4	9001651	FUSE, CNTRL CARD PROTECTION, 1.0A
5	9001654	MODULE, POWER-SWITCHING
6	9001653	CARD, MICROCONTROLLER

REF	PART #	DESCRIPTION
7	9001652	TRANSFORMER, SNGL-PHASE, 230V/12V-12A
	9001655	TRANSFORMER, SNGL-PHASE, 120V/12V-12A
	9001657	TRANSFORMER, SNGL-PHASE, 100V/12V-12A
	9001658	TRANSFORMER, SNGL-PHASE, 240V/12V-12A
8	9001659	LABEL, BATTERY CHARGER
9	9001140	CABLE, MAIN 120V [US/JP]
	9001141	CABLE, MAIN 230V [EU]
	9001142	CABLE, MAIN 240V [UK]
10	12828	CONNECTOR, CABLE, BLK, 1-WIRE [US/JP]
	12827	CONNECTOR, CABLE, RED, 1-WIRE [US/JP]
	604186	CONNECTOR, CABLE, GRAY, [EU/UK]



U.S. AND CANADA COMMERCIAL NEW MACHINE WARRANTY

Our Commitment to Customer Satisfaction

The warranty terms outlined below are in lieu of any other warranties, either expressed or implied, including any implied warranty of merchantability, fitness for a particular purpose or otherwise. Under no circumstances will seller be liable for any loss, damage, expense or consequential damages arising in connection with the use or inability to use, these products.

This warranty does not apply to damage or defect caused by accident, misuse, negligence, abuse, fire or to any Tennant product that has been serviced by anyone other than an authorized Tennant service representative. Parts that have become damaged as a result of improper use of the machine are excluded from this warranty. Please refer to Owner's Manual for proper machine use and maintenance. Parts that are expected to wear from normal use, including, but not limited to: batteries (warranty pro-rated for one year); belts; drive chains; brushes; pad drivers; filters; squeegees; tires; skirts; hand grips; battery cables; power cords and cord restraints; external hoses; vacuum bags; fuses and carbon brushes, are not covered under the parts warranty.

This warranty begins on the date of purchase of the product by the original end user from an authorized Tennant sales representative, subject to proof of purchase. **A Machine Installation/Warranty Report form included with the Owner's Manual must be completed and returned immediately at the time of purchase.** If proof of purchase date is unavailable, the warranty begins ninety (90) days after the sale of the product to an authorized Tennant dealer.

10-3-3 Warranty*

Subject to the conditions outlined above, Tennant warrants the rotationally molded polyethylene parts on all of its machines to be free from defects in materials and workmanship, under normal use and service for ten (10) years to the original end user. Under this warranty, Tennant guarantees the performance of non-polyethylene parts and components on models to be free from defects for up to three (3) years or 2,500 hours of operation (1,500 hours on the T7 model), whichever comes first, to the original end user. Parts replaced or repaired under this warranty are guaranteed for the remainder of the original warranty period or ninety (90) days. Labor charges are covered for three (3) years (includes polyethylene and non-polyethylene parts) from the date of purchase for Tennant models, provided an authorized Tennant service provider is used for repair. Travel is covered for ninety (90) days for battery models. No travel coverage is extended for electric cord models.

10-2-6 Warranty* for 6100, 7100 and 7200 Model

Subject to the conditions outlined above, Tennant warrants the rotationally molded polyethylene parts on the 6100, 7100 and 7200 models to be free from defects in materials and workmanship under normal use and service for ten (10) years to the original end user. Under this warranty, Tennant guarantees the performance of non-polyethylene parts and components on the 6100, 7100 and 7200 models to be free from defects for up to two (2) years or 1,000 hours of operation, whichever comes first, to the original end user. Parts replaced or repaired under this warranty are guaranteed for the remainder of the original warranty period or ninety (90) days. Travel and labor charges are covered for six (6) months from date of installation. Tennant will, at its option, provide travel (maximum of 3 hours) and labor for repair, or pay for outside repair service in accordance with Tennant Company's flat rate schedule for certain warranty repairs.

*** Product Exceptions and Exclusions:** A one year warranty is extended to the original end user against manufacturing defects and workmanship on non-wear components and labor for the following models: 1000 portable spotter; 3200 single motor vacuum; 3220 dual motor upright vacuum; 3400 dry canister vacuum; 110, 3610, 3620 and S8 sweepers; dryers; and the 3110 and 3120 upright vacuums (a three year limited warranty is extended on electric motors and belts not subject to wear). Battery chargers and all accessories are warranted for one year.

Date Purchased: _____

Model Number: _____

Serial Number: _____

Please make sure to record this information. This information will be necessary for future warranty claims.

Tennant reserves the right to change its warranty policy without notice.

Tennant Company • P.O. Box 1452 • Minneapolis, MN 55440-1452 USA • (800) 553-8033 • (763) 513-2850