

SALTIX 10, SALTIX 10 C, ALTO 101D

Model:
SALTIX 10
SALTIX 10 C



Part List US-English

31-08-2012

Nilfisk
ALTO
works for you

www.nilfisk-alto.com

Table of Contents

SALTIX 10, SALTIX 10 C, ALTO 101D

Summary ALTO 101D, SALTIX 10 C	3
Summary SALTIX 10	5
Accessories	7
RECOMMENDED SPARE PARTS	9

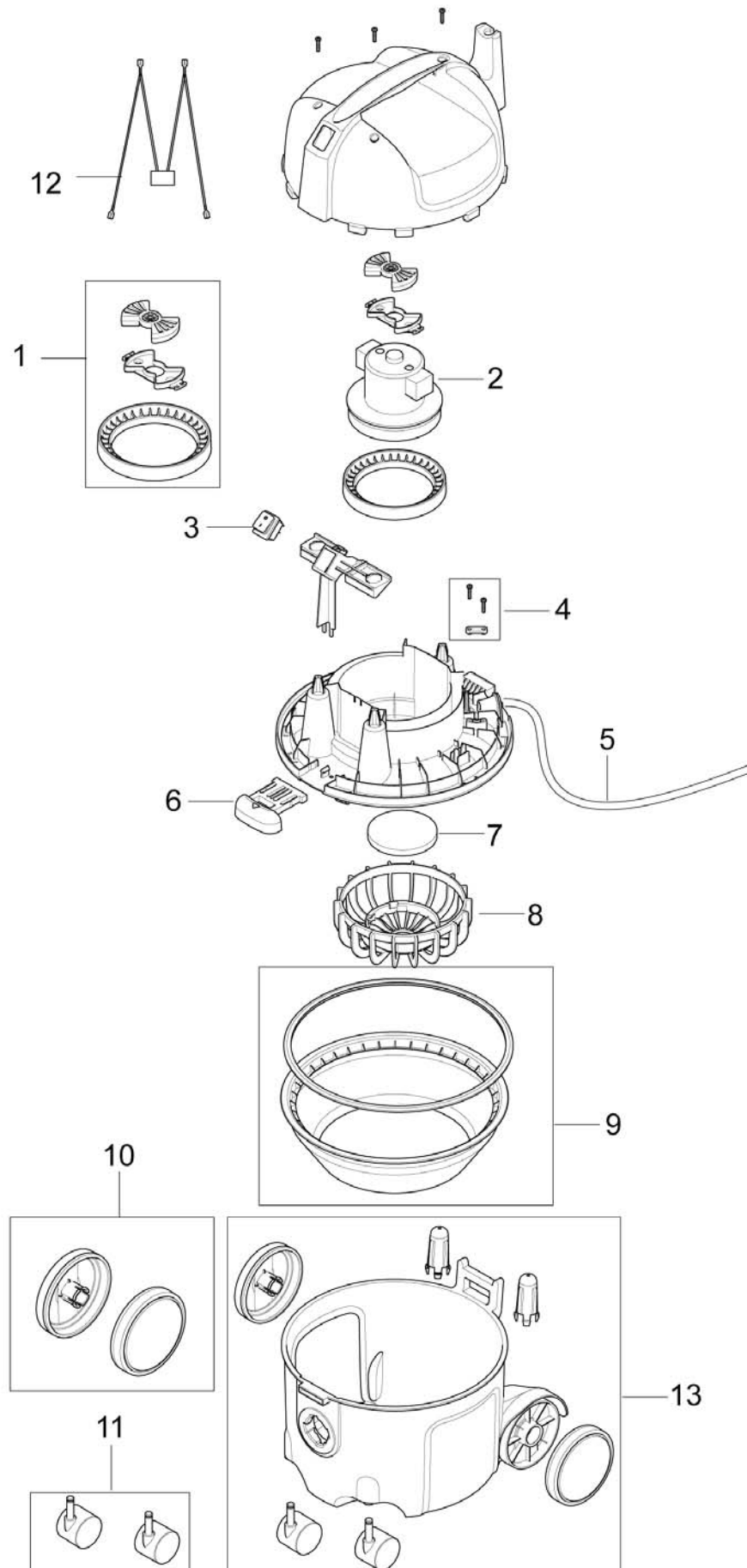
Summary ALTO 101D, SALTIX 10 C

SALTIX 10, SALTIX 10 C, ALTO 101D

31-08-2012

Part List ID
SALTIX1002

3



Summary ALTO 101D, SALTIX 10 C

SALTIX 10, SALTIX 10 C, ALTO 101D

31-08-2012

Part List ID
SAL I IX100Z

4

Pos	Part no.	Qty	Description	
0		1	BOX VC300 HEPA EU1	
0	147 1436 000	1	BOX GD111	
1	147 0660 500	1	MOTOR SUSPENSION KIT	
2	147 1428 500	1	FAN UNIT 230-240V 900W TCO	EU
3	140 9537 500	1	SWITCH TWO POLE 2 PCS	
4	140 6560 500	1	ANTI STRAIN CLIP	
5	140 6800 650	1	CORD SET 10M EU	EU
5	147 0504 540	1	CORD SET 10.5M CHINA	CN
6	147 1409 500	1	LATCH	Grey
7	147 0670 500	1	FILTER MOTOR KIT	
8	147 0669 500	1	BASKET SACK FILTER	
9	147 1432 500	1	SACK FILTER CPL	Accessory
10	140 8458 500	1	WHEEL REAR KIT	
11	140 6422 500	1	WHEELS LINK 50MM	
12	140 7620 530	1	SUPPRESSOR EU/UK/AU/NZ	
13	107406056	1	CONTAINER VP300	

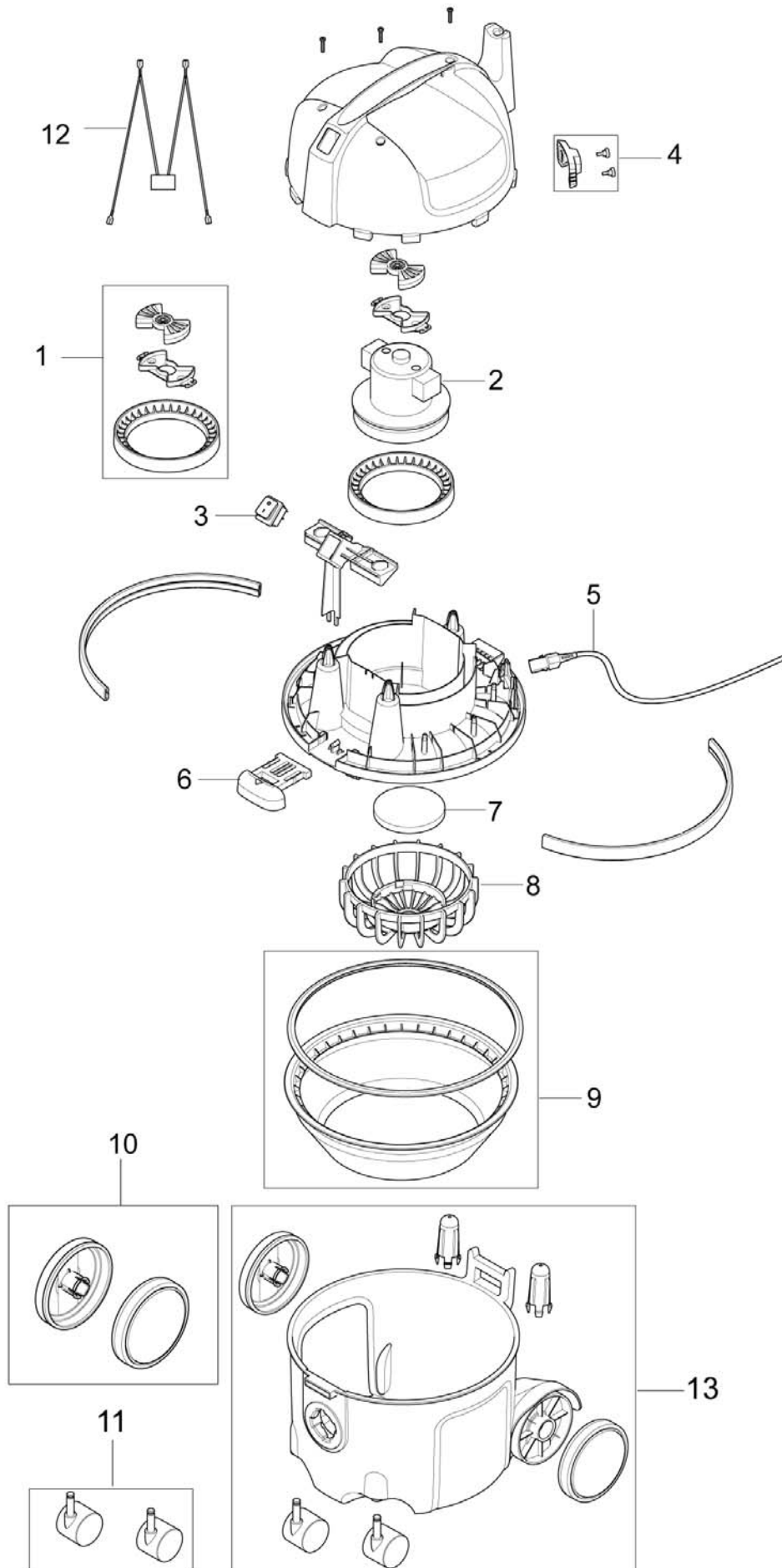
Summary SALTIX 10

SALTIX 10, SALTIX 10 C, ALTO 101D

31-08-2012

Part List ID
SALTIX1004

5



Summary SALTIX 10

SALTIX 10, SALTIX 10 C, ALTO 101D

31-08-2012

Part List ID
SAL I IX1004

6

Pos	Part no.	Qty	Description
0		1	BOX VC300 HEPA EU1
0	107403715	1	BOX KIT FOR ALTO
0	147 1436 000	1	BOX GD111
1	147 0660 500	1	MOTOR SUSPENSION KIT
2	107402675	1	FAN UNIT 1200W TCO KIT
3	140 9537 500	1	SWITCH TWO POLE 2 PCS
4	107402674	1	CORD LOCK KIT
5	107402676	1	DETACH CORD SET 10M ORANGE EU
5	107402901	1	DETACH CORD SET 15M ORANGE EU
6	147 1409 500	1	LATCH Grey
7	147 0670 500	1	FILTER MOTOR KIT
8	147 0669 500	1	BASKET SACK FILTER
9	147 1432 500	1	SACK FILTER CPL Accessory
10	140 8458 500	1	WHEEL REAR KIT
11	140 6422 500	1	WHEELS LINK 50MM
12	140 7620 530	1	SUPPRESSOR EU/UK/AU/NZ
13	107406056	1	CONTAINER VP300

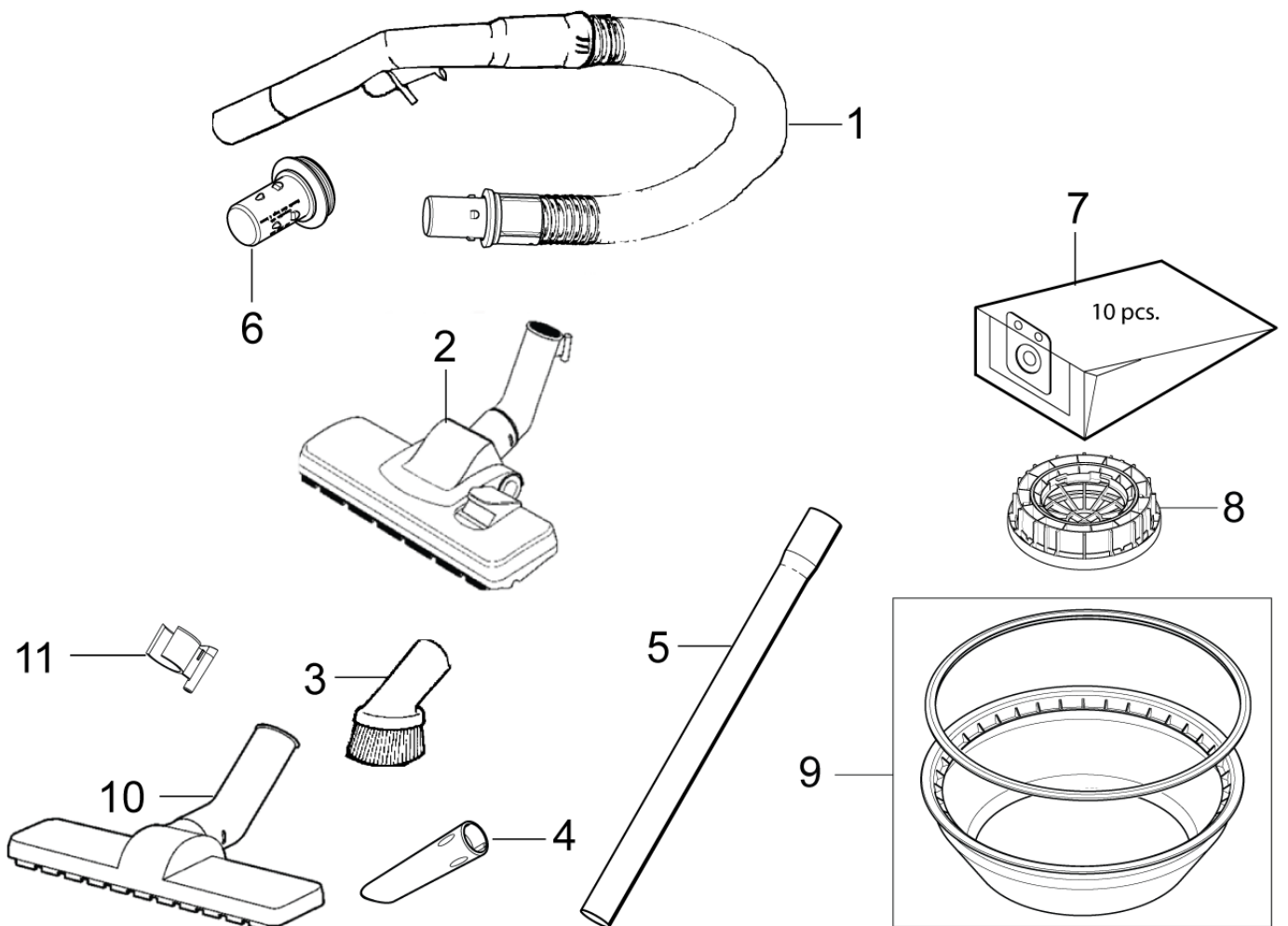
Accessories

SALTIX 10, SALTIX 10 C, ALTO 101D

31-08-2012

Part List ID
SALTIX1005

7



Accessories

SALTIX 10, SALTIX 10 C, ALTO 101D

31-08-2012

Part List ID
SAL I IX1005

8

Pos	Part no.	Qty	Description
1	147 0765 500	1	HOSE CPL BLACK
2	107403122	1	COMBI NOZZLE D252 KIT
3	140 8244 500	1	BRUSH NOZZLE KIT
4	147 0146 500	1	CREVICE NOZZLE D32 L153 BLACK
5	011 6431 500	2	EXTENSION TUBE ALUMINIUM
5	140 8246 040	2	EXTENSION TUBE STEEL D32
6	107401199	1	20 PCS NUMATIC ADAPTER
7	140 8618 000	1	DUST BAG 10L 10 PCS
8	107402902	1	HEPA FILTER BOXED ONLY SALTIX 10
9	147 1432 500	1	SACK FILTER CPL
10	140 6700 540	1	NOZZLE MULTI SURFACE 32 MM
11	147 0585 500	1	PARKING CLIP SVART

RECOMMENDED SPARE PARTS

SALTIX 10, SALTIX 10 C, ALTO 101D

31-08-2012

Part List ID
SALTIX1008

9

No Drawing For Part List

RECOMMENDED SPARE PARTS

SALTIX 10, SALTIX 10 C, ALTO 101D

31-08-2012

Part List ID
SAL I IX1008

10

Pos	Part no.	Qty	Description	
0	107402674	1	CORD LOCK KIT	SALTIX 10
0	107402675	1	FAN UNIT 1200W TCO KIT	SALTIX 10
0	107402676	1	DETACH CORD SET 10M ORANGE EU	SALTIX 10
0	140 6560 500	1	ANTI STRAIN CLIP	
0	140 6800 650	1	CORD SET 10M EU	101D
0	140 7620 530	1	SUPPRESSOR EU/UK/AU/NZ	
0	140 8445 500	1	CASTOR WHEEL KIT	
0	140 8458 500	1	WHEEL REAR KIT	
0	140 9537 500	1	SWITCH TWO POLE 2 PCS	
0	147 0504 540	1	CORD SET 10.5M CHINA	SALTIX 10C
0	147 0660 500	1	MOTOR SUSPENSION KIT	
0	147 0669 500	1	BASKET SACK FILTER	
0	147 0670 500	1	FILTER MOTOR KIT	
0	147 1428 500	1	FAN UNIT 230-240V 900W TCO	101D, SALTIX 10C
0	147 1432 500	1	SACK FILTER CPL	
0	147 1436 000	1	BOX GD111	