

Model: 9087350020 - 9087351020



SC500

PARTS LIST



TABLE OF CONTENTS

| | |
|----------------------------|----|
| GENERAL VIEW | 2 |
| RECOVERY TANK | 6 |
| MOTOR DRIVE | 8 |
| PADDLE AND DASHBOARD | 10 |
| REAR WHEELS | 12 |
| SQUEEGEE SYSTEM..... | 14 |
| DISC DECK..... | 16 |
| ELECTRICAL COMPONENTS..... | 18 |
| BATTERY CHARGER | 20 |
| ECOFLEX SYSTEM..... | 22 |
| ACCESSORIES..... | 24 |
| WIRING DIAGRAM | 30 |
| RECOMMENDED PARTS..... | 32 |
| ACCESSORIES/OPTIONALS..... | 33 |

WHEN ORDERING PARTS

- Use the part numbers from the “REF. NO.” columns in this parts list. If the “REF. NO.” column is blank; look under the “KIT” column to identify which kit contains the part in question, then use the kit callout, for example “K1”, to find the “REF. NO.” for that kit.
- Specify the model and serial number of the machine.
- Use the space below to record the model and serial number for future reference.

Model

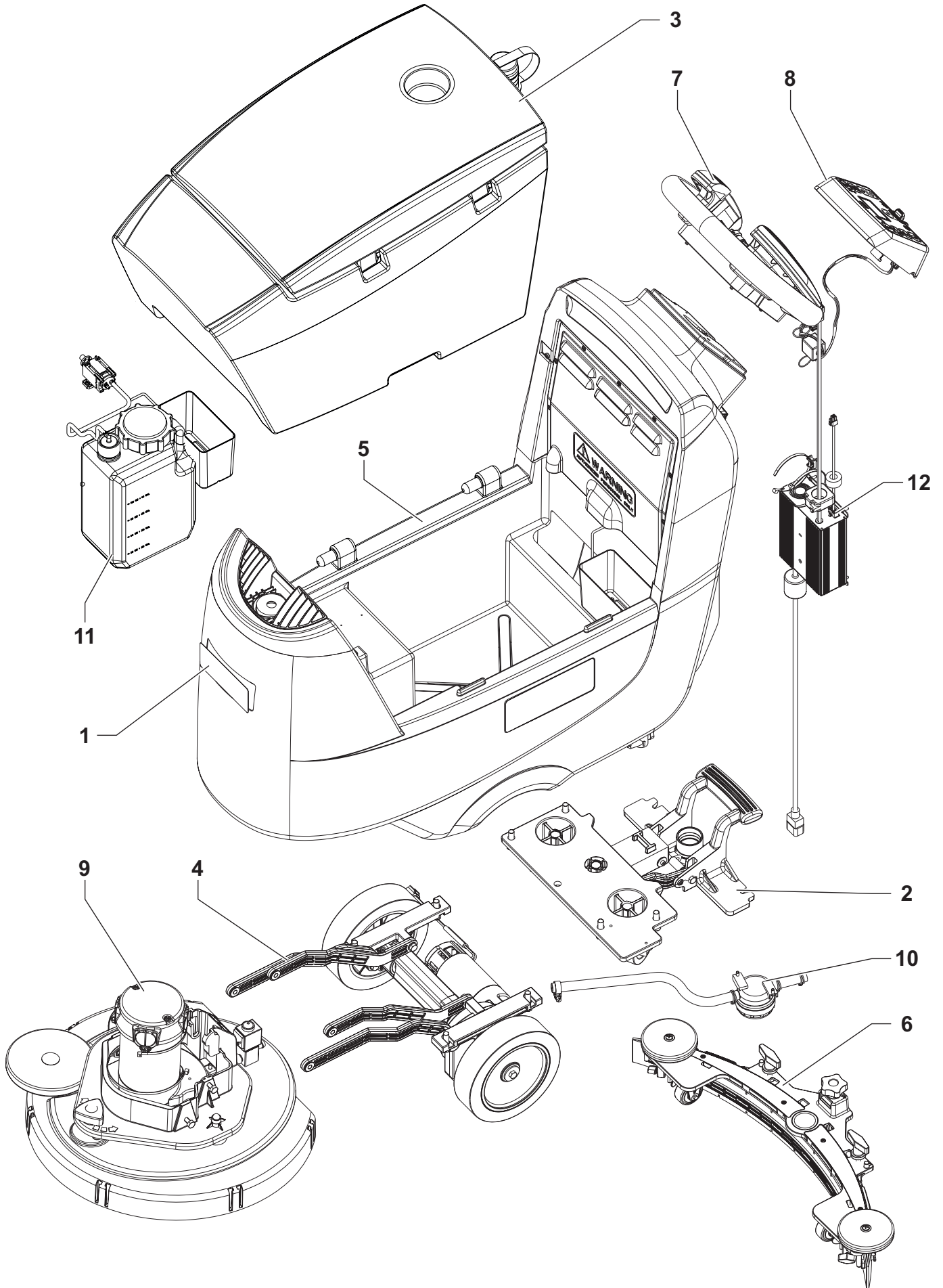
Serial No.

* = Optional

= Modified item No. or New item No.

[] = Not shown

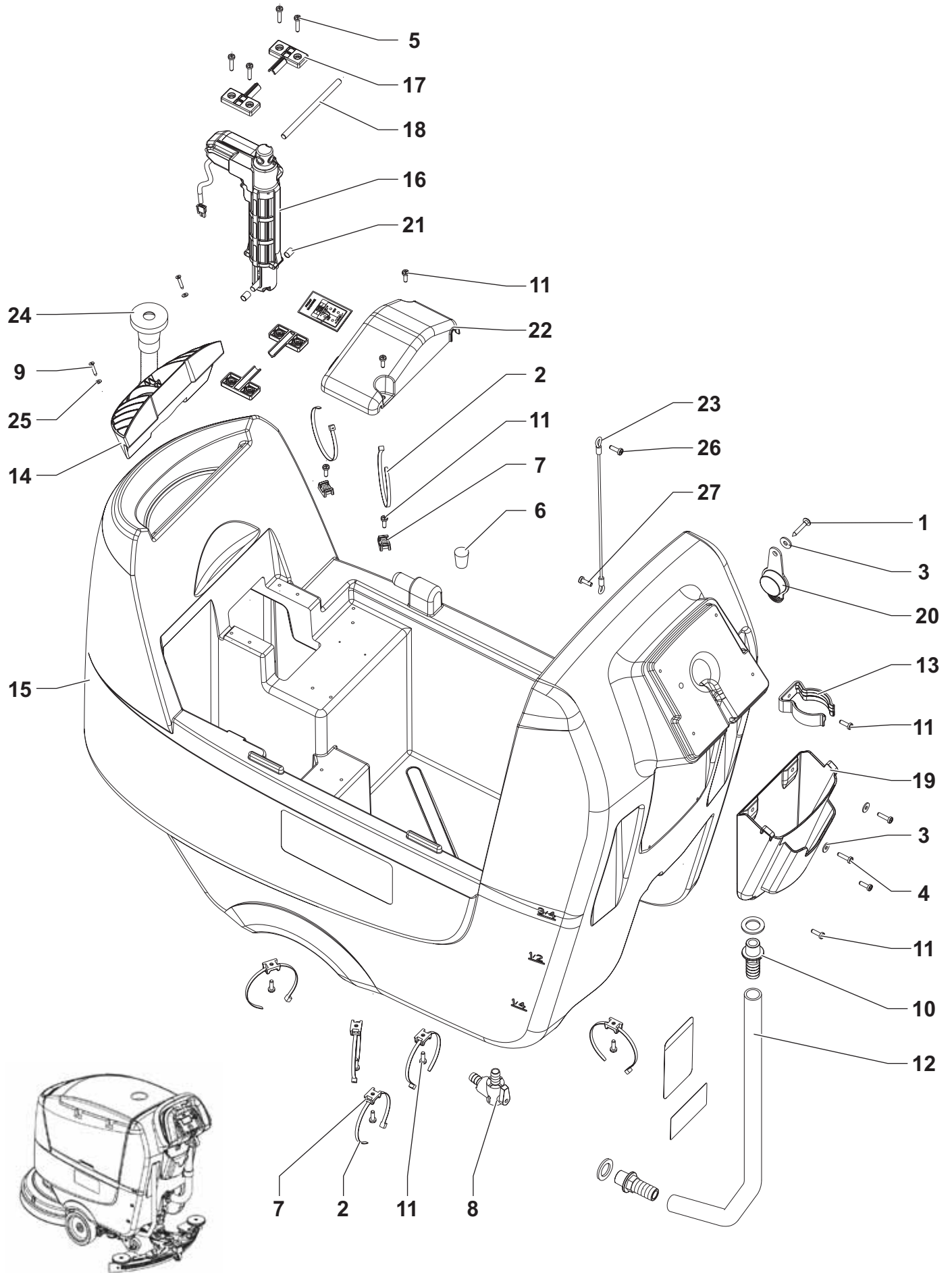
GENERAL VIEW



GENERAL VIEW

| KIT | ITEM | REF. NO. | QTY | DESCRIPTION | DESCRIZIONE |
|-----|------|------------|-----|-------------------------------|-----------------------------------|
| | 1 | 9100000735 | 1 | DECALS NILFISK SC500 KIT | KIT ADESIVI NILFISK SC500 |
| | 2 | | 1 | WHEELS REAR-SQUEEGEE ASSEMBLY | GRUPPO RUOTE POSTERIORI-TERGITORE |
| | 3 | | 1 | TANK RECOVERY ASSEMBLY | GRUPPO SERBATOIO RECUPERO |
| | 4 | | 1 | MOTOR DRIVE ASSEMBLY | GRUPPO MOTODIFFERENZIALE |
| | 5 | | 1 | TANK SOLUTION ASSEMBLY | GRUPPO SERBATOIO SOLUZIONE |
| | 6 | | 1 | SQUEEGEE ASSEMBLY | GRUPPO TERGITORE |
| | 7 | | 1 | PADDLE ASSEMBLY | GRUPPO PADDLE |
| | 8 | | 1 | PANEL CONTROL ASSEMBLY | GRUPPO PLANCIA |
| | 9 | | 1 | DECK BRUSH ASSEMBLY | GRUPPO TESTATA SPAZZOLA |
| | 10 | | 1 | SYSTEM SOLUTION ASSEMBLY | GRUPPO SISTEMA SOLUZIONE |
| | 11 | | 1 | ECOFLEX ASSEMBLY | GRUPPO ECOFLEX |
| | 12 | | 1 | CHARGER BATTERY ASSEMBLY | GRUPPO CARICABATTERIA |

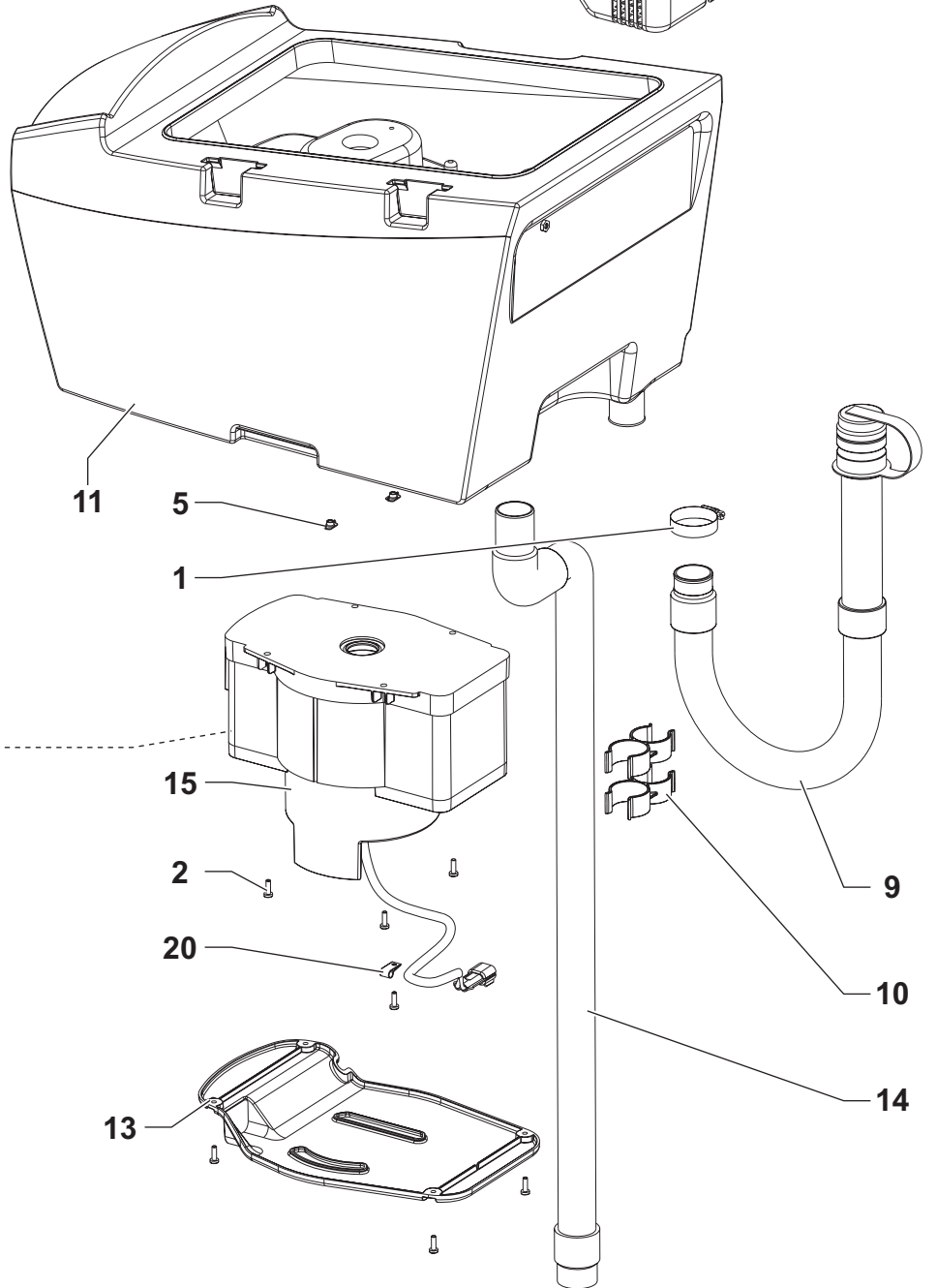
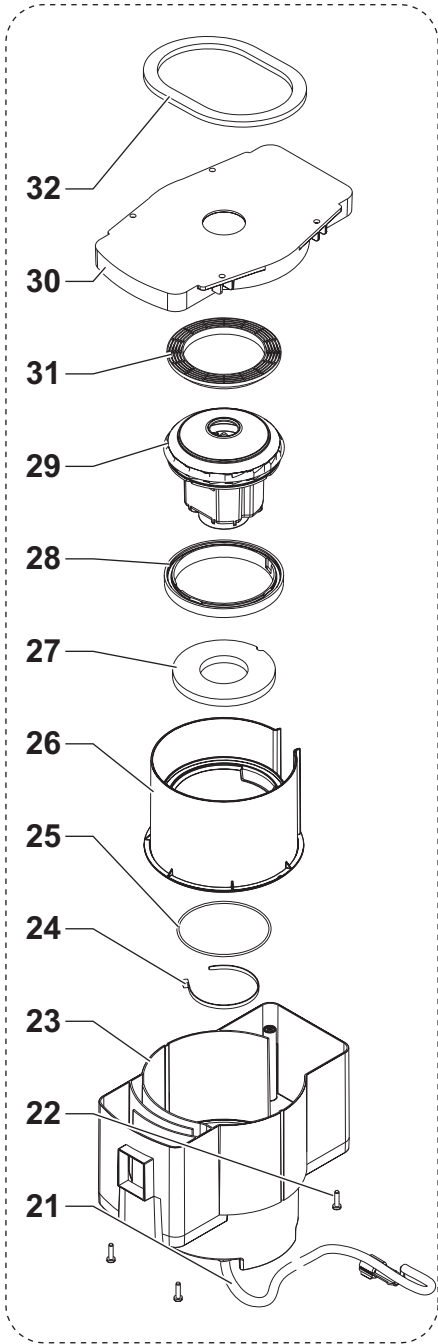
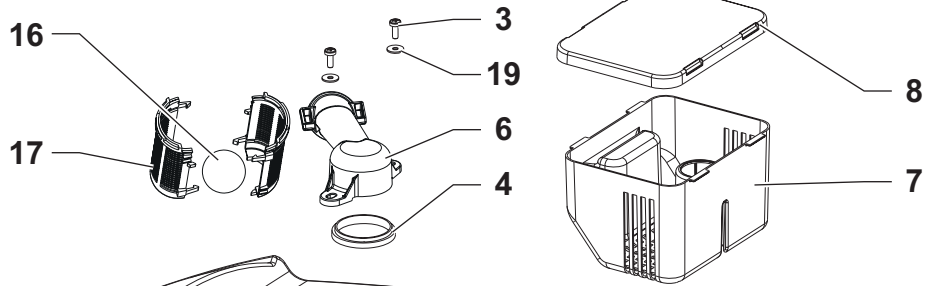
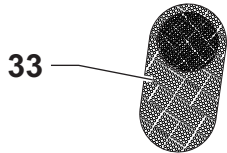
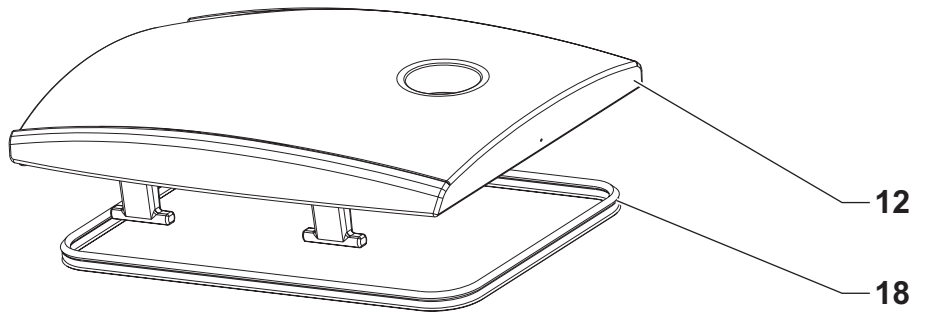
SOLUTION TANK (1 of 2)



SOLUTION TANK

| KIT | ITEM | REF. NO. | QTY | DESCRIPTION | DESCRIZIONE |
|-----|------------|-------------------|----------|--|--|
| K2 | 1 | | 1 | SCREW 5X35 SELF THD TAPPING AW20 BLACK | VITE 5X35 AUTOF. FLANG. AW20 NERA |
| K2 | 2 | | 8 | TIE CABLE 4.8x200 BLACK | FASCETTA NYLON 4.8x200 NERA |
| K2 | 3 | | 1 | WASHER 6X18X1.5 UNI6593 SS | UNI6593 6X18X1.5 ROND GREMB INOX |
| K2 | 4 | | 2 | SCREW CYL HD 5X20 SELF L. PLASTOFAST | VITE AUTOF TC+ 5X20 PLASTOFAST |
| K1 | 5 | | 4 | SCREW CYL HD 5X25 SELF L. PLASTOFAST | VITE AUTOF TC+ 5X25 PLASTOFAST |
| K2 | 6 | | 1 | CAP BLACK | TAPPO NERO TIPO KMRP 625/800 |
| K2 | 7 | | 8 | HOLDER.FLAT TIE | BASSETTA PORTA-FASCETTA c.FTH-14R-01 |
| | 8 | 9100000803 | 1 | VALVE ELBOW PKD | RUBINETTO A GOMITO PVC P.TUBO D.13 PKD |
| K2 | 9 | | 2 | SCREW 3.9X22 UNI6955 SS | VITE AUTOF TPS+ 3.9X22 INOX |
| | 10 | 9100000574 | 2 | FITTING STRAIGHT G1/2 D.20 KIT | KIT RACCORDO DRITTO G1/2 D.20 |
| K2 | 11 | | 13 | SCREW CYL HD 5X16 SELF L. PLASTOFAST | VITE AUTOF TC+ 5X16 PLASTOFAST |
| | 12 | 9098446000 | 1 | HOSE SOLUTION | TUBO ACQUA PULITA |
| | 13 | 909 6380 000 | 1 | CLAMP KIT | KIT FASCETTA |
| | 14 | 9100000899 | 1 | FILTER WATER INLET PKD | FILTRO INGRESSO ACQUA PKD |
| | 15 | 9100000804 | 1 | TANK SOLUTION 40 LT GREY PKD | SERBATOIO SOLUZIONE 40 LT GRIGIO PKD |
| | 16 | 9100000805 | 1 | ACTUATOR LINEAR 24V DC STRK 120MM PKD | ATTUATORE LIN.24V CC C. 120MM PKD |
| K1 | 17 | | 4 | PLATE FOR JACK MOTOR RETAINER | PIASTRINA RITEGNO MARTINETTO |
| K1 | 18 | | 1 | PIN CYLINDR. D.8X140 ISO2338 NO TEMPERED | SPINA CILINDRICA D.8X140 ISO2338 NO TEMP |
| | 19 | 9100000807 | 1 | BOX F CHARGER CABLE PKD | CONTENITORE CAVO CARICABATTERIE PKD |
| | 20 | 9100000808 | 1 | RUBBER SOLUTION CAP PKD | TAPPO IN GOMMA PKD |
| K1 | 21 | | 2 | BEARING CYLINDRICAL IGUS GSM-0809-12 | CUSCINETTO CILINDRICO IGUS GSM-0809-12 |
| | 22 | 9100000809 | 1 | COVER CHEMICAL MIX PUMP PKD | COPERCHIO POMPA DETERG. CHIMICO PKD |
| K3 | 23 | | 1 | CABLE SAFETY F TANK | CAVO DI SICUREZZA SERBATOIO |
| | 24* | 9100000703 | 1 | HOSE FILLING PKD | TUBO RIEMPIMENTO SERBATOIO SOLUZ. PKD |
| K2 | 25 | | 2 | WASHER M4 UNI6592 SS | UNI6592 M4X9 ROND. PIANA INOX |
| K3 | 26 | | 1 | SCREW CYL HD 5X16 SELF L. PLASTOFAST | VITE AUTOF TC+ 5X16 PLASTOFAST |
| K3 | 27 | | 1 | SCREW M5X16 UNI7687 SS | UNI7687 M5X16 VITE TC+ INOX |
| | [K1] | 9100000737 | 1 | ACTUATOR FIXING KIT | KIT FISSAGGIO ATTUATORE |
| | [K2] | 9100000738 | 1 | HARDWARE SOLUTION TANK KIT | KIT VITERIA SERBATOIO SOLUZIONE |
| | [K3] | 9100000794 | 1 | CABLE SAFETY F TANK KIT | KIT CAVO DI SICUREZZA SERBATOIO |

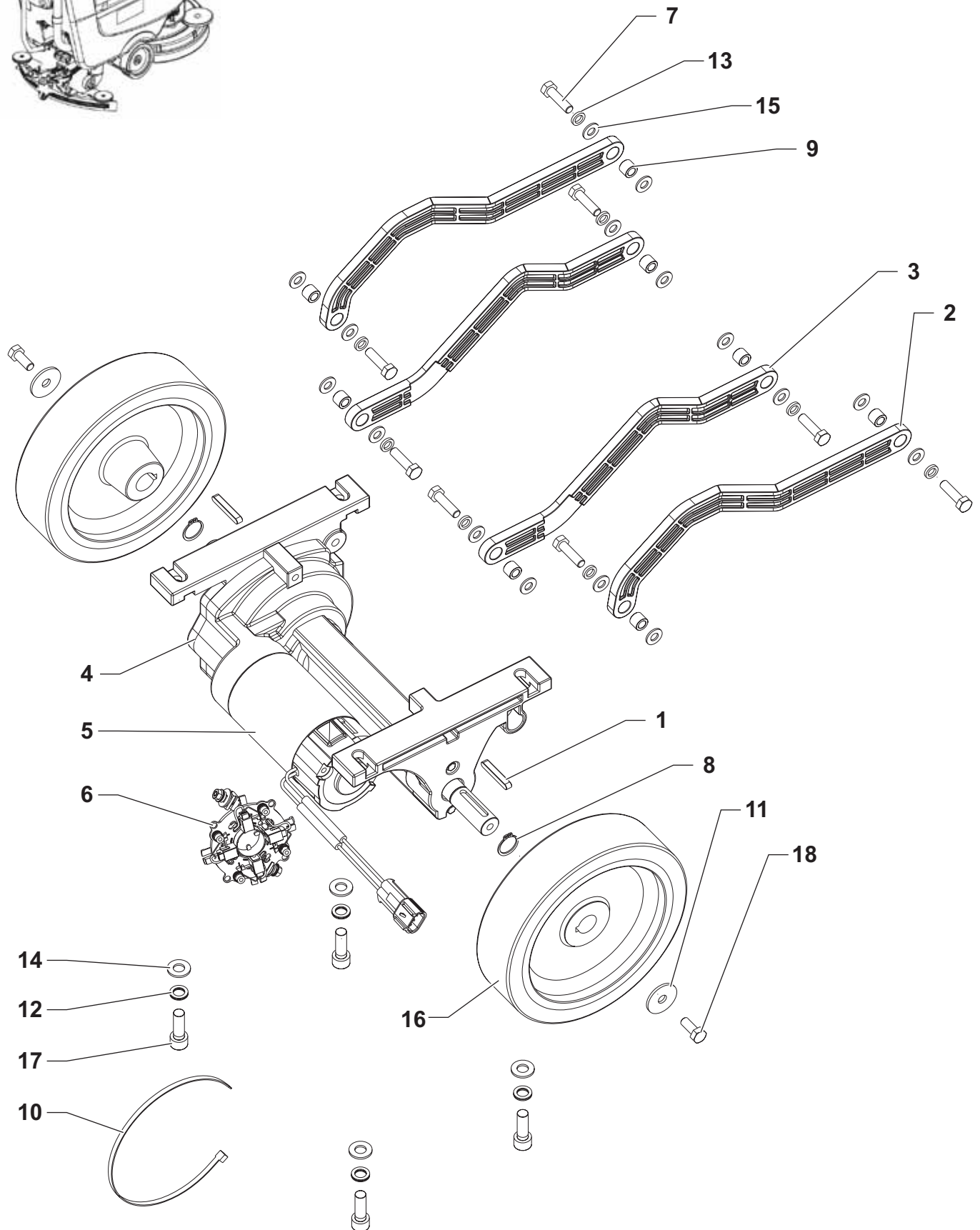
RECOVERY TANK



RECOVERY TANK

| KIT | ITEM | REF. NO. | QTY | DESCRIPTION | DESCRIZIONE |
|-----|--------------|---------------------|----------|---|---|
| K4 | 1 | 145 0543 000 | 1 | CLAMP 14/32-52 | FASCETTA 14/ 32- 52 SERFLEX |
| K4 | 2 | | 9 | SCREW M5X12 UNI7687 | UNI7687 M5X12 VITE TC+ 8.8 ZNB |
| K1 | 3 | | 2 | SCREW M6X16 UNI7687 SS | UNI7687 M6X16 VITE TC+ INOX |
| K1 | 4 | 9100000928 | 1 | GASKET FLOAT SUPPORT PKD | GUARNIZIONE PORTA GALLEGGIANTE PKD |
| K4 | 5 | | 2 | NUT JAW M6X6 INOX SS | WURTH932040520 M6X6 DADO A GRIFFE INOX |
| K1 | 6 | | 1 | CAGE FLOAT | PORTA GALLEGGIANTE |
| K2 | 7 | | 1 | TRAY DEBRIS | CONTENITORE RACCOLTA DETRITI |
| K2 | 8 | | 1 | COVER DEBRIS TRAY | COPERCHIO CONTENITORE DETRITI |
| | 9 | 9100000812 | 1 | HOSE DRAIN BLACK PKD | TUBO SCARICO ACQUA NERO PKD |
| | 10 | 9100000889 | 1 | CLIP HOSE STOPPING 2 PCS SET | CLIP FERMATUBO SET 2 PZ |
| | 11 | 9100000813 | 1 | TANK RECOVERY 40 LT GREY PKD | SERBATOIO RECUPERO 40 LT GRIGIO PKD |
| | 12 | 9100000814 | 1 | COVER TANK GREY PKD | COPERCHIO SERBATOIO GRIGIO PKD |
| | 13 | 9100000815 | 1 | COVER F VACUUM MOTOR SOUNDPR. PKD | COPERTURA PER INSONORIZZ. MOT. ASP. PKD |
| | 14 | 9100000816 | 1 | HOSE SUCTION BLACK PKD | TUBO ASPIRAZIONE NERO PKD |
| | 15 | 9100000904 | 1 | MOTOR VACUUM 24V 280W CPL KIT | KIT MOTORE ASPIRATORE 24V 280W CPL |
| | 15* | 9100000491 | 1 | HIGH POWER VACUUM MOTOR 24V 450W KIT | KIT MOTORE ASPIRATORE 24V 450W POTENZ. |
| | | 9100000753 | 1 | INSTRUCTIONS INSTALL. KIT 9100000491 | ISTRUZIONI MONTAGGIO KIT 9100000491 |
| | 16 | 9100000817 | 1 | BALL FLOATING PKD | GALLEGGIANTE PKD |
| | 17 | 9100000818 | 1 | CAGE FLOAT HALF 2 PCS SET | CONTENITORE GALLEGGI. META' SET 2 PZ |
| | 18 | 9100000819 | 1 | GASKET BULB RUBBER L.1670MM PKD | GUARNIZ. A BULBO IN GOMMA -MATASSA PKD |
| K1 | 19 | | 2 | WASHER 6X18X1.5 UNI6593 SS | UNI6593 6X18X1.5 ROND GREMB INOX |
| K4 | 20 | | 1 | CLAMP CABLE BLACK | FASCETTA STRINGICAVO c.304100 |
| | 21 | 9100000820 | 1 | HARNESS VACUUM MOTOR PKD | CABLAGGIO MOTORE ASPIRATORE PKD |
| K4 | 22 | | 4 | SCREW CYL HD 5X20 SELF L. PLASTOFAST | VITE AUTOF TC+ 5X20 PLASTOFAST |
| | 23 | 9100000821 | 1 | SUPPORT EXT. INSULATION VAC. MOTOR PKD | SUPPORTO EST. INSONORIZZ. MOT. ASP. PKD |
| K4 | 24 | | 1 | TIE CABLE 4.8x200 BLACK | FASCETTA NYLON 4.8x200 NERA |
| K3 | 25 | | 1 | O-RING 2.5X109 EPDM | O-RING 2.5X109 EPDM |
| | 26 | 9100000822 | 1 | SUPPORT INT. INSULATION VAC. MOTOR PKD | SUPPORTO INT. INSONORIZZ. MOT. ASP. PKD |
| K3 | 27 | | 1 | GASKET COLLECTOR | GUARNIZIONE COLLETTORE |
| K3 | 28 | | 1 | RUBBER SEALING DOMEL UPPER | GUARNIZIONE SUP. IN GOMMA |
| | 29 | 9100000823 | 1 | MOTOR VACUUM 24V 280W PKD | MOTORE ASPIRATORE 24V 280W PKD |
| | 30 | 9100000824 | 1 | SUPP. UPPER F VAC. MOTOR SOUNDPR. PKD | SUPPORTO SUP. INSONORIZZ. MOT. ASP. PKD |
| K3 | 31 | | 1 | MOTOR GASKET LOWER DOMEL | GUARNIZIONE INFERIORE MOTORE |
| K3 | 32 | | 1 | GASKET VACUUM MOTOR | GUARNIZIONE MOTORE ASPIRATORE |
| | 33* | 909 5065 000 | 1 | FILTER ANTIFOAMING | FILTRO ANTISCHIUMA CON ELASTICO |
| | [K1] | 9099767000 | 1 | SUPPORT FLOAT KIT | SUPPORTO FLOAT KIT |
| | [K2]* | 9100000795 | 1 | TRAY DEBRIS KIT | KIT CONTENITORE RACCOLTA DETRITI |
| | [K3] | 9100000739 | 1 | GASKETS VACUUM MOTOR KIT | KIT GUARNIZIONI MOTORE ASP. |
| | [K4] | 9100000740 | 1 | HARDWARE RECOVERY TANK KIT | KIT VITERIA SERBATOIO RECUPERO |

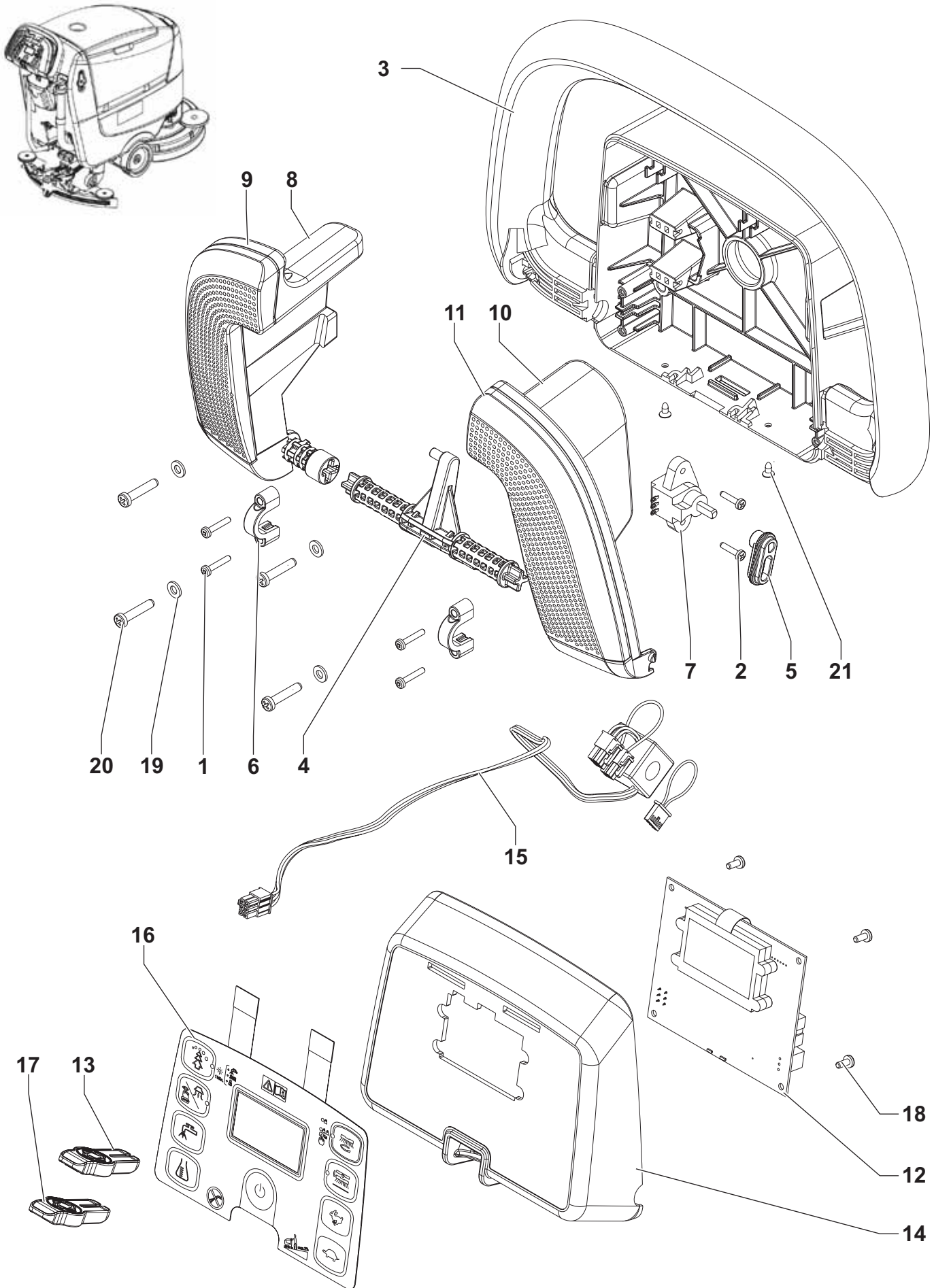
MOTOR DRIVE



MOTOR DRIVE

| KIT | ITEM | REF. NO. | QTY | DESCRIPTION | DESCRIZIONE |
|-----|------|--------------|-----|---------------------------------------|---|
| K1 | 1 | 146 0769 000 | 2 | KEY 6X6X40 UNI6604A | UNI6604A 6X6X40 LINGUETTA FORMA A |
| | 2 | 9100000825 | 1 | LEVER EXT. FOR DECK LIFTING 2 PCS SET | LEVA ESTERNA SOLLEVAM. TESTATA SET 2 PZ |
| | 3 | 9100000826 | 1 | LEVER INT. FOR DECK LIFTING 2 PCS SET | LEVA INTERNA SOLLEVAM. TESTATA SET 2 PZ |
| | 4 | 9100000827 | 1 | MOTOR DRIVE 200W 24V PKD | MOTODIFFERENZIALE 200W 24V -AMER- PKD |
| | 5 | 9100000828 | 1 | MOTOR ELECTRIC 200W 24V PKD | MOTORE ELETTRICO 200W 24V PKD |
| | 6 | 9100000920 | 1 | CARBON BRUSHES W/HOLDER KIT | KIT CARBONCINI CON CALOTTA |
| K1 | 7 | | 8 | SCREW M8X30 UNI5739 | UNI5739 M8X30 VITE TE TF 8.8 ZNB |
| K1 | 8 | | 2 | RING D 20 UNI7435 | UNI7435 D 20 SEEGER PER ALBERO BRN |
| K1 | 9 | | 8 | SPACER 8.1X13X10.3 | DISTANZIALE 8.1X13X10.3 |
| K1 | 10 | | 1 | TIE CABLE 4.8X430 WHITE | FASCETTA NYLON 4.8X430 BIANCO |
| K1 | 11 | | 2 | WASHER 8.5X32X2 SS | WURTH0932040340 8.5X32X2 ROND INOX |
| K1 | 12 | | 4 | WASHER NORD LOCK M10 | ROND ZIGRINATA NORD LOCK M10 |
| K1 | 13 | | 8 | WASHER NORD LOCK M8 | DIN25201 M8 RONDELLA ZIGR. NORD LOCK |
| K1 | 14 | | 4 | WASHER M10 UNI6592 | UNI6592 M10 ROND PIANA ZNB |
| K1 | 15 | | 6 | WASHER M8 UNI6592 | UNI6592 M8 ROND PIANA ZNB |
| | 16 | 9100000830 | 1 | WHEEL D.200X50 GREY-BLACK 2 PCS SET | RUOTA D.200X50 GRIGIO-NERO SET 2 PZ |
| K1 | 17 | | 4 | SCREW M10X30 UNI5931 | UNI5931 M10X30 VITE TCEI 8.8 ZNB |
| K1 | 18 | | 2 | SCREW M8X20 UNI5739 SS | UNI5739 M8X20 VITE TE TF INOX |
| | [K1] | 9100000742 | 1 | HARDWARE DRIVE MOTOR KIT | KIT VITERIA MOTODIFFERENZIALE NIL |

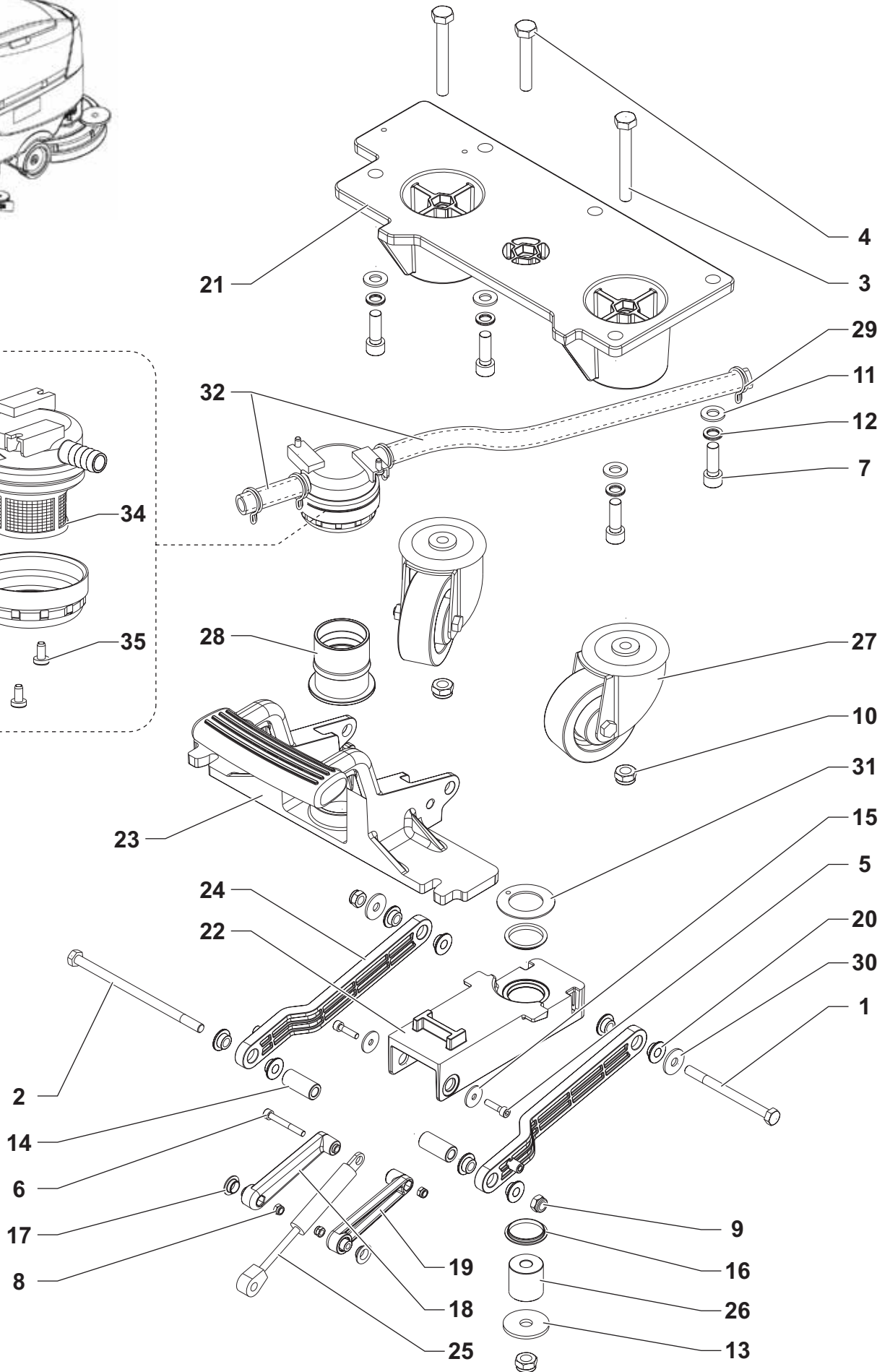
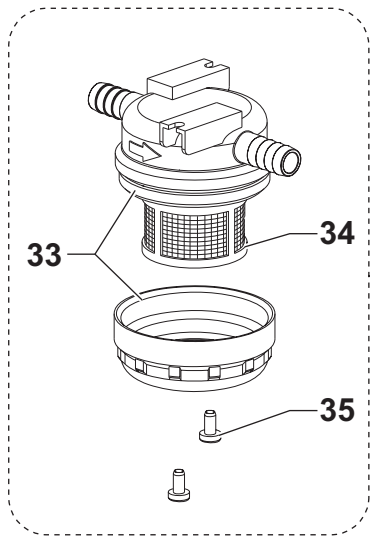
PADDLE AND DASHBOARD



PADDLE AND DASHBOARD

| KIT | ITEM | REF. NO. | QTY | DESCRIPTION | DESCRIZIONE |
|-----|------------|-------------------|----------|---------------------------------------|--|
| K1 | 1 | | 4 | SCREW TORX T20 | VITE TORX T20 |
| K1 | 2 | | 2 | SCREW 4.2X19 SELF THD HEX HD ISO10510 | VITE 4.2X19 AUTOF. TE ISO10510 |
| | 3 | 9100000835 | 1 | HANDLE BAR PKD | MANIGLIONE COMANDO PKD |
| | 4 | 9100000836 | 1 | SHAFT LEVERS CONNECTION PKD | ALBERO CONNESSIONE LEVE PKD |
| K1 | 5 | | 1 | ROD POTENTIOMETER | BIELLA POTENZIOMETRO |
| K1 | 6 | | 2 | SUPPORT F LEVER CONNECTION SHAFT | SUPPORTO ALBERO CONNESSIONE LEVE |
| | 7 | 9100000837 | 1 | POTENTIOMETER 5K PKD | POTENZIOMETRO 5K PKD |
| | 8 | 9100000838 | 1 | LEVER LT DRIVING PKD | LEVA COMANDO SX PKD |
| | 9 | 9100000839 | 1 | CASING F LEFT LEVER PKD | CUFFIA LEVA SX PKD |
| | 10 | 9100000840 | 1 | LEVER RT DRIVING PKD | LEVA COMANDO DX PKD |
| | 11 | 9100000841 | 1 | CASING F RIGHT LEVER PKD | CUFFIA LEVA DX PKD |
| | 12 | 9100000842 | 1 | CARD DISPLAY PKD | SCHEDA DISPLAY PKD |
| | 13* | 9100000843 | 1 | KEY OPERATOR COMPLETE PKD | CHIAVE OPERATORE COMPLETA PKD |
| | 14 | 9100000844 | 1 | COVER HANDLE BAR PKD | COPERCHIO MANIGLIONE PKD |
| | 15 | 9100000845 | 1 | HARNESS CONTROL PANEL PKD | CABLAGGIO PLANCIA PKD |
| | 16 | 9100000846 | 1 | DASHBOARD CONTROL PANEL PKD | SERIGRAFIA PLANCIA A MEMB. 53B/20B PKD |
| | 17* | 9100000848 | 1 | KEY SERVICE COMPLETE PKD | CHIAVE DI SERVIZIO COMPLETA PKD |
| K1 | 18 | | 4 | SCREW 3.9X9.5 THD FORM | WURTH0932040379 3.9X9.5 VITE AUTOF TC PZ |
| K1 | 19 | | 4 | WASHER M6 UNI6592 | UNI6592 M6 ROND PIANA ZNB |
| K1 | 20 | | 4 | SCREW CYL HD 6X30 SELF L.PLAST | VITE AUTOF TC+ 6X30 S/PUN PLASTOFAST |
| K1 | 21 | | 2 | SCREW 3.9X9.5 UNI6955 | UNI6955 3.9X9.5 VITE AUTOF TPS+ ZNB |
| | [K1] | 9100000745 | 1 | PADDLE AND DASHBOARD FIXING KIT | KIT FISSAGGIO MANIGLIONE E PLANCIA |

REAR WHEELS



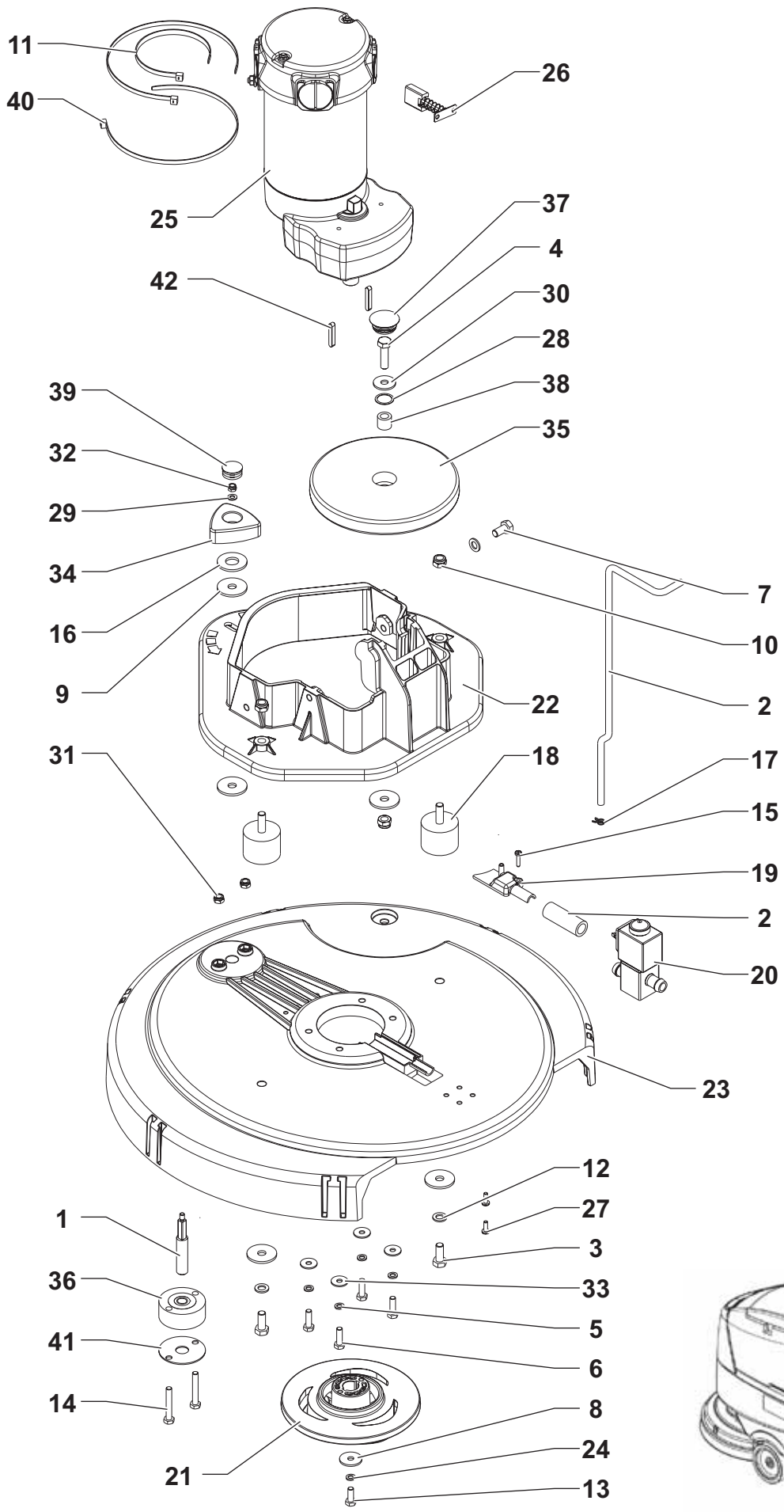
REAR WHEELS

| KIT | ITEM | REF. NO. | QTY | DESCRIPTION | DESCRIZIONE |
|-----|------|------------|-----|----------------------------------|--------------------------------------|
| K1 | 1 | | 1 | SCREW M8X100 UNI5737 | UNI5737 M8X100 VITE TE PF 8.8 ZNB |
| K1 | 2 | | 1 | SCREW M8X140 HEX HD ISO4014 | VITE M8X140 TE ISO4014 |
| K1 | 3 | | 2 | SCREW M10X80 UNI5739 | UNI5739 M10X80 VITE TE TF 8.8 ZNB |
| K1 | 4 | | 1 | SCREW M10X60 UNI5739 | UNI5739 M10X60 VITE TE TF 8.8 ZNB |
| K1 | 5 | | 2 | SCREW M5X20 UNI5931 | UNI5931 M5X20 VITE TCEI 8.8 ZNB |
| K1 | 6 | | 1 | SCREW M5X40 UNI5931 | UNI5931 M5X40 VITE TCEI 8.8 ZNB |
| K1 | 7 | | 4 | SCREW M10X30 UNI5931 | UNI5931 M10X30 VITE TCEI 8.8 ZNB |
| K1 | 8 | | 3 | NUT SELF L. M5 UNI7474 | UNI7474 M5 DADO AUTOB BASSO 6S |
| K1 | 9 | | 2 | NUT SELF L. M8 UNI7474 | UNI7474 M8 DADO AUTOB BASSO 6S |
| K1 | 10 | | 3 | NUT SELF L. M10 UNI7474 | UNI7474 M10 DADO AUTOB BASSO 6 |
| K1 | 11 | | 4 | WASHER M10 UNI6592 | UNI6592 M10 ROND PIANA ZNB |
| K1 | 12 | | 4 | WASHER NORD LOCK M10 | ROND ZIGRINATA NORD LOCK M10 |
| K1 | 13 | | 1 | WASHER 10X40X2.5 UNI6593 | UNI6593 10X40X2.5 ROND GREMB ZNB |
| K1 | 14 | | 2 | SPACER 8.5X15X33 | DISTANZIALE 8.5X15X33 |
| K1 | 15 | | 2 | WASHER 5X20X1.5 UNI6593 | UNI6593 5X20X1.5 ROND GREMB ZNB |
| K1 | 16 | 9100000902 | 2 | BEARING FLANGE IGLIDUR 2 PCS SET | BOCCOLA FLANGIATA IGLIDUR SET 2 PZ |
| K1 | 17 | | 2 | BEARING FLANGED | CUSCINETTO FLANGIATO |
| | 18 | 9100000849 | 1 | LEVER GAS SPRING LEFT PKD | LEVA RINVIO MOLLA GAS SINISTRA PKD |
| | 19 | 9100000850 | 1 | LEVER GAS SPRING RIGHT PKD | LEVA RINVIO MOLLA A GAS DESTRA PKD |
| K1 | 20 | | 8 | BUSHING FLANGED | BOCCOLA CON FLANGIA |
| | 21 | 9100000851 | 1 | SUPPORT REAR WHEELS-SQUEEGEE PKD | SUPPORTO RUOTE POST.-TERGITORE PKD |
| | 22 | 9100000852 | 1 | SUPPORT UPPER F SQUEEGEE PKD | SUPPORTO SUPERIORE TERGITORE PKD |
| | 23 | 9100000853 | 1 | SUPPORT LOWER F SQUEEGEE PKD | SUPPORTO INFERIORE TERGITORE PKD |
| | 24 | 9100000854 | 1 | LEVER SQUEEGEE LIFT 2 PCS SET | LEVA SOLLEVAMENTO TERGITORE SET 2 PZ |
| | 25 | 9100000855 | 1 | SPRING GAS 30 KG PKD | MOLLA A GAS 30 KG PKD |
| K1 | 26 | | 1 | SPACER 10.5X30X30.3 | DISTANZIALE 10.5X30X30.3 |
| | 27 | 9100000856 | 1 | WHEEL PIVOTING 2 PCS SET | RUOTA PIVOETTANTE D.80 SET 2 PZ |
| | 28 | 9100000857 | 1 | SLEEVE SUCTION HOSE PKD | MANICOTTO TUBO ASPIRAZIONE PKD |
| K1 | 29 | | 4 | CLAMP DOUBLE WIRE SPRING D.18 | FASCETTA ELASTICA DOPPIO FILO D.18 |
| K1 | 30 | | 2 | WASHER 8X24X2 FLAT ISO7093 | RONDELLA 8X24X2 PIANA ISO7093 |
| K1 | 31 | 9100000903 | 1 | WASHER THRUST GTM 3254-015 PKD | RALLA IGLIDUR GTM-3254-015 PKD |
| | 32 | 9100000796 | 1 | HOSES SOLUTION SYSTEM KIT | KIT TUBI SISTEMA SOLUZIONE |
| | 33 | 9100000860 | 1 | FILTER WATER PKD | FILTRO ACQUA PKD |
| | 34 | 9100000861 | 1 | NET WATER FILTER REINFORCED PKD | RETE FILTRO ACQUA RINFORZATA PKD |
| K1 | 35 | | 2 | SCREW M5X10 DIN7500 | VITE AUTOFORMANTE TC+ 5X10 ZNB |
| | [K1] | 9100000746 | 1 | SUPPORT SQUEEGEE FIXING KIT | KIT FISSAGGIO SUPPORTO TERGITORE |

SQUEEGEE SYSTEM

| KIT | ITEM | REF. NO. | QTY | DESCRIPTION | DESCRIZIONE |
|-----|------|------------|-----|--|--|
| K1 | 1 | | 2 | WASHER 6X18X1.5 UNI6593 SS | UNI6593 6X18X1.5 ROND GREMB INOX |
| K1 | 2 | | 1 | NUT SELFLOCKING LOW M8 UNI7474 SS | UNI7474 M8 DADO AUTOB BASSO INOX |
| K1 | 3 | | 1 | WASHER 8X24 UNI6592 SS | UNI6592 8X24 ROND PIANA INOX |
| K1 | 4 | | 6 | WASHER 5X15X1.2 UNI6593 SS | UNI6593 5X15X1.2 ROND GREMB INOX |
| | 5 | 9100000862 | 1 | KNOB LOBES M8 FEMALE PKD | VOLANTINO A LOBI M8 FEMMINA PKD |
| | 6 | 9100000747 | 1 | SQUEEGEE 730MM/29 PRE-ASSEMBLED PKD | TERGITORE 730MM/29 PRE-ASSEMBLATO PKD |
| K1 | 7 | | 3 | SPACER 5.1X8X28.5 PLASTIC | DISTANZIALE 5.1X8X28.5 PLASTICA |
| | 8 | 9100000791 | 2 | KNOB M8X30 THD STUD SS PKD | VOLANTINO M8X30 PERNO FILET. INOX PKD |
| | 9 | 9097637000 | 1 | SQUEEGEE FIXING KIT | KIT FISSAGGIO TERGITORE |
| | 10 | 9100000559 | 3 | WHEEL D.51 GREY PKD | RUOTA D.51 GRIGIA PKD |
| | 11* | 9100000810 | 1 | BLADE SQUEEGEE 740MM 29 GUM KIT | KIT GOMME TERGITORE ANTITR. 730MM/29 |
| | 11* | 9100000490 | 1 | BLADE SQUEEGEE 730MM 29 PU KIT | KIT GOMME TERGITORE PU 730MM/29 |
| | 11* | 9100000060 | 1 | BLADE SQUEEGEE 730MM 29 RED GUM KIT | KIT GOMME TERG. ANTITRN 730MM/29 ROSS |
| K1 | 12 | | 1 | SCREW M5X50 UNI5737 SS | UNI5737 M5X50 VITE TE PF INOX |
| | 13 | 9100000864 | 1 | STRAP ELASTIC F REAR SQUEEGEE BL. PKD | BANDELLA ELASTICA GOMMA TERGI P. PKD |
| K1 | 14 | | 3 | NUT SELFLOCKING LOW M5 UNI7474 SS | UNI7474 M5 DADO AUTOB BASSO INOX |
| K1 | 15 | | 2 | SCREW M5X45 UNI5737 SS | UNI5737 M5X45 VITE TE PF INOX |
| | 16 | 9100000865 | 1 | STRAP FRONT SQUEEGEE BLADE PKD | BANDELLA GOMMA TERGI ANT. PKD |
| | 17 | 9100000866 | 1 | SUPPORT SQUEEGEE WHEEL PKD | SUPPORTO RUOTA TERGITORE PKD |
| K1 | 18 | | 1 | SCREW M8X50 HEX HD F/THD SS ISO4017 | VITE M8X50 TE TF INOX ISO4017 |
| K1 | 19 | | 1 | NUT HEX M8 ISO4035 SS | DADO ES BASSO M8 ISO4035 INOX |
| K1 | 20 | | 2 | SCREW 5X35 SELF THD TAPPING AW20 BLACK | VITE 5X35 AUTOF. FLANG. AW20 NERA |
| | 21 | 9100000867 | 1 | GUIDE WHEEL 2 PCS SET | RUOTA DI PROTEZIONE SET 2 PZ |
| K1 | 22 | | 2 | NUT HEX M8 UNI5588 SS | UNI5588 M8 DADO ES INOX |
| | [K1] | 9100000748 | 1 | HARDWARE SQUEEGEE KIT | KIT VITERIA TERGITORE |

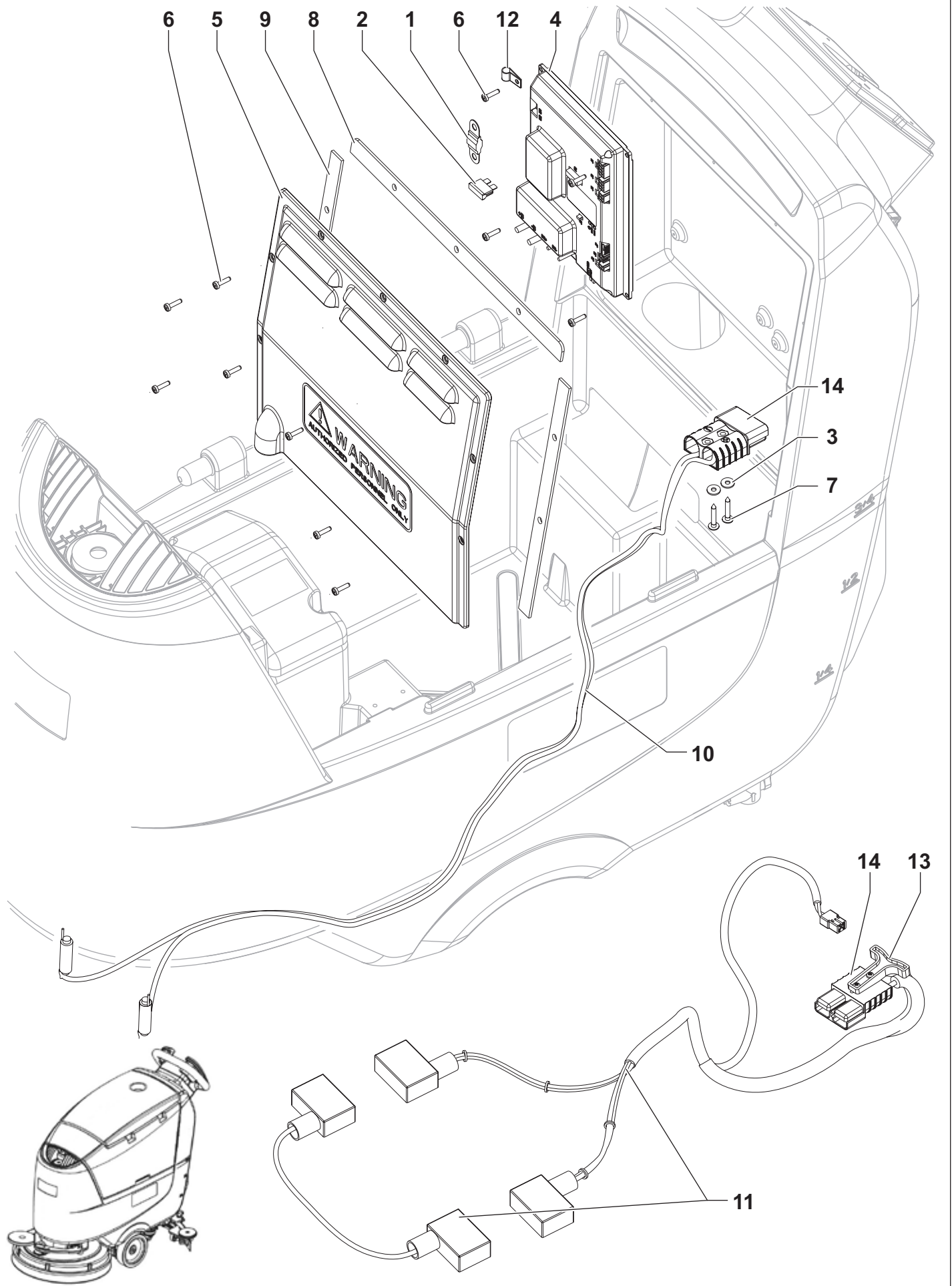
DISC DECK



DISC DECK

| KIT | ITEM | REF. NO. | QTY | DESCRIPTION | DESCRIZIONE |
|-----|------|--------------|-----|--|--|
| K2 | 1 | | 1 | PIN PLATE FIXING | PERNO FISSAGGIO PIASTRA P. SPAZZOLA |
| | 2 | 9100000797 | 1 | HOSES BRUSH DECK KIT | KIT TUBI TESTATA SPAZZOLA |
| K3 | 3 | | 2 | SCREW M8X20 UNI5739 SS | UNI5739 M8X20 VITE TE TF INOX |
| K1 | 4 | | 1 | SCREW M8X30 UNI5739 | UNI5739 M8X30 VITE TE TF 8.8 ZNB |
| K3 | 5 | | 5 | WASHER M6 UNI8842A SS | UNI8842A M6 ROND DENT TIPO A INOX |
| K3 | 6 | | 4 | SCREW M6X25 UNI5739 SS | UNI5739 M6X25 VITE TE TF INOX |
| K3 | 7 | | 3 | NUT SELFLOCKING LOW M8 UNI7474 SS | UNI7474 M8 DADO AUTOB BASSO INOX |
| K3 | 8 | | 1 | WASHER 6.6X24X2 UNI6593 SS | UNI6593 6.6X24X2 ROND GREMB INOX |
| K2 | 9 | | 5 | WASHER 8.5X32X2 SS | WURTH0932040340 8.5X32X2 ROND INOX |
| K3 | 10 | | 1 | SCREW M8X16 UNI5739 SS | UNI5739 M8X16 VITE TE TF INOX |
| K3 | 11 | | 1 | TIE CABLE 4.8x200 BLACK | FASCETTA NYLON 4.8x200 NERA |
| K3 | 12 | | 3 | WASHER M8 UNI8842A SS | UNI8842A M8 ROND DENT TIPO A INOX |
| K3 | 13 | | 1 | SCREW M6X16 UNI5739 SS | UNI5739 M6X16 VITE TE TF INOX |
| K2 | 14 | | 2 | SCREW M6X40 UNI5739 SS | UNI5739 M6X40 VITE TE TF INOX |
| K3 | 15 | | 2 | SCREW 3.5X16 SELF THD PAN PHIL F PLASTIC | VITE 3.5X16 AUTOF. TCTC S/PUN X PLAST. |
| K2 | 16 | | 1 | WASHER 10X30X2 | ROND GOMMA 10X30X2 |
| K3 | 17 | | 1 | CLAMP 6.6X 7 | FASCETTA 6.6 x 7 |
| | 18 | 9100000868 | 1 | VIBRATION DAMPING M8 60SH 2 PCS SET | ANTIVIBRANTE CILINDRICO M8 SET 2 PZ |
| | 19 | 9100000869 | 1 | COVER SOLUTION HOSE SUPPORT PKD | COPERCHIO SUPP. TUBO SOLUZIONE PKD |
| | 20 | 9100000870 | 1 | SOLENOID VALVE 24V PKD | ELETTROVALVOLA 24V PKD |
| | 21 | 9100000871 | 1 | HUB BRUSH PKD | MOZZO SPAZZOLA PKD |
| | 22 | 9100000872 | 1 | PLATE BRUSH DECK HOLDER PKD | PIASTRA SUPPORTO TESTATA SPAZZOLA PKD |
| | 23 | 9100000873 | 1 | DECK BRUSH PKD | TESTATA SPAZZOLA PKD |
| K3 | 24 | | 1 | WASHER NORD LOCK M6 DIN25201 | DIN25201 M6 RONDELLA ZIGR. NORD LOCK |
| | 25 | 9100000874 | 1 | REDUCTION GEARMOTOR 450W 24V PKD | MOTORIDUTTORE 450W 24V PKD |
| | 26 | 9098376000 | 1 | CARBON BRUSHES KIT 4 PCS | KIT CARBONCINI 4 PZ c. 5000051 |
| K3 | 27 | | 2 | SCREW PAN HD SELF 4x12 SS | VITE TCTC AUTOF. 4x12 INOX |
| K1 | 28 | | 1 | WASHER 15 | ROND ELASTICA ONDULATA 15 |
| K2 | 29 | | 1 | WASHER M5 UNI6592 SS | UNI6592 M5 ROND PIANA INOX |
| K1 | 30 | | 1 | WASHER 8X24X2 FLAT ISO7093 | RONDELLA 8X24X2 PIANA ISO7093 |
| K2 | 31 | | 2 | NUT SELF L. M6 UNI7474 SS | UNI7474 M6 DADO AUTOB BASSO INOX |
| K2 | 32 | | 1 | NUT SELFLOCKING LOW M5 UNI7474 SS | UNI7474 M5 DADO AUTOB BASSO INOX |
| K3 | 33 | | 4 | WASHER 6X18X1.5 UNI6593 SS | UNI6593 6X18X1.5 ROND GREMB INOX |
| K2 | 34 | | 1 | KNOB | VOLANTINO PER PIASTRA SPAZZOLA |
| K1 | 35 | | 1 | ROLLER BUMPER D.160 BLACK | RUOTA PARACOLPI D.160 NERA |
| K2 | 36 | | 1 | BUFFER | DISTANZIALE PER PIASTRA PORTA SPAZZOLA |
| K1 | 37 | | 1 | CAP. BLACK | TAPPO NERO |
| K1 | 38 | | 1 | SPACER 9X15X13 | DISTANZIALE 9X15X13 |
| K2 | 39 | | 1 | CAP FOR KNOB | TAPPO PER VOLANTINO PIASTRA SPAZZOLA |
| K3 | 40 | | 2 | TIE CABLE 4.8X430 WHITE | FASCETTA NYLON 4.8X430 BIANCO |
| K2 | 41 | | 1 | PLATE.VIBRATION DAMPING | PIASTRINA PER ANTIVIBRANTE |
| | 42 | 9100000875 | 1 | KEY 5X5X30 DIN6885 2 PCS SET | CHIAVETTA 5X5X30 DIN6885 SET 2 PZ |
| | [K1] | 909 6887 000 | 1 | ROLLER BUMPER KIT | KIT RULLO PARACOLPI TESTATA SPAZZOLA |
| | [K2] | 9100000750 | 1 | DECK BRUSH ADJUST. KIT | KIT REGOLAZIONE TESTATA SPAZZOLA |
| | [K3] | 9100000751 | 1 | HARDWARE BRUSH DECK KIT | KIT VITERIA TESTATA SPAZZOLA |

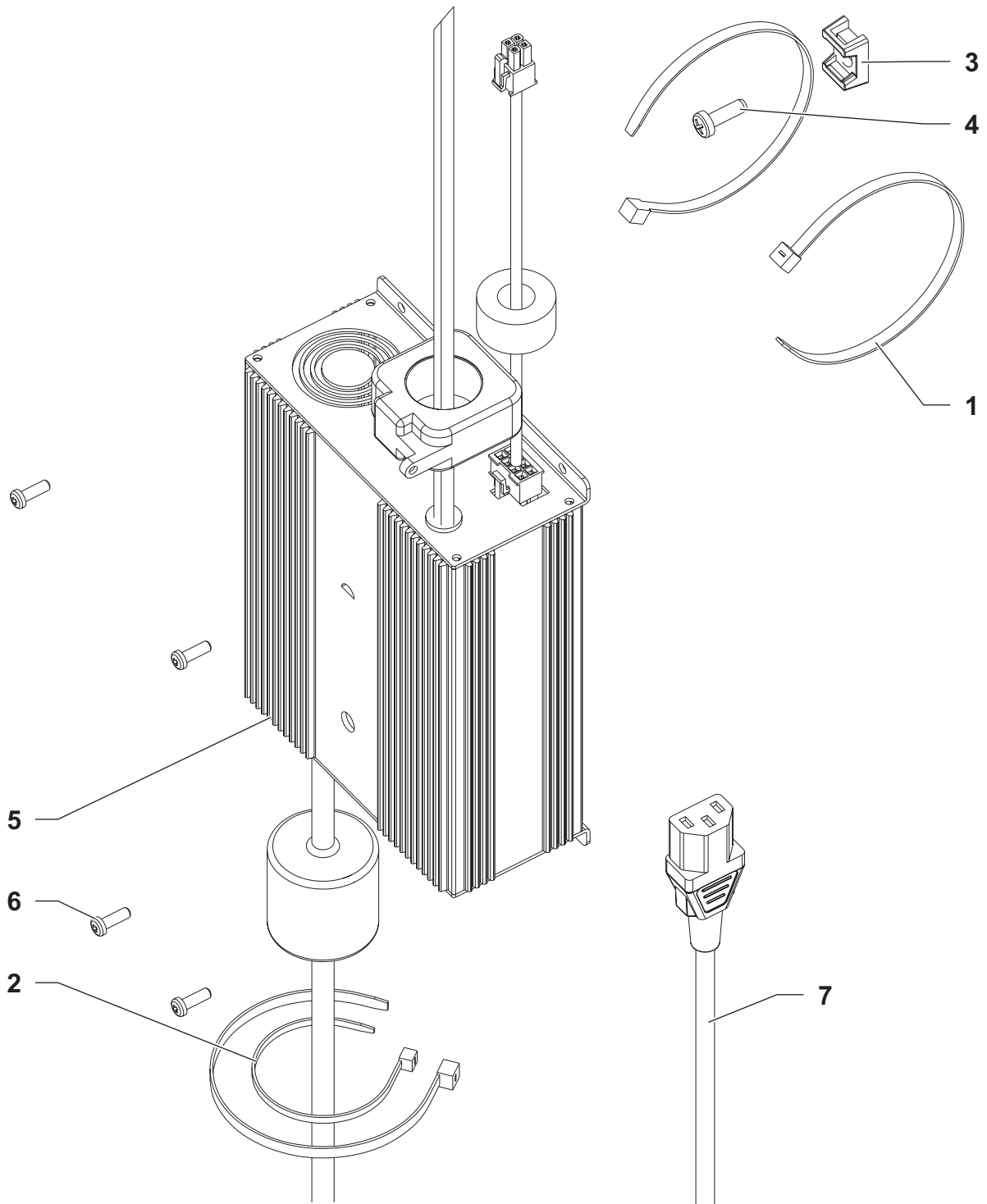
ELECTRICAL COMPONENTS



ELECTRICAL COMPONENTS

| KIT | ITEM | REF. NO. | QTY | DESCRIPTION | DESCRIZIONE |
|-----|------|------------|-----|--|--|
| | 1 | 9100000877 | 1 | FUSE MIDIFUSE 100A PKD | FUSIBILE 100A TIPO MIDI FUSE PKD |
| | 2 | 9100000878 | 1 | FUSE BLADE 3A PKD | FUSIBILE A LAMA 3A PKD |
| K2 | 3 | | 4 | WASHER 5X15X1.5 UNI6593 | UNI6593 5X15X1.5 ROND GREMB ZNB |
| | 4 | 9100000879 | 1 | CONTROLLER MAIN MACHINE PKD | SCHEDE FUNZIONI PKD |
| | 5 | 9100000880 | 1 | COVER BOX ELECTRIC COMP. PKD | COPERCHIO VANO COMP.ELETTRICI PKD |
| K2 | 6 | | 11 | SCREW CYL HD 4X16 SELF L. PLAS | VITE AUTOF TC+ 4X16 S/PUN (PLASTOFAST) |
| K2 | 7 | | 3 | SCREW 5X35 SELF THD TAPPING AW20 BLACK | VITE 5X35 AUTOF. FLANG. AW20 NERA |
| K1 | 8 | | 1 | GASKET UPPER ELECTRONIC COVER | GUARNIZIONE SUPERIORE COP. ELETTR. |
| K1 | 9 | | 2 | GASKET SIDE ELECTRONIC COVER | GUARNIZIONE LATERALE COP. ELETTR. |
| | 10 | 9100000881 | 1 | HARNESS MACHINE SC500 53B/20B PKD | CABLAGGIO MACCHINA SC500 53B/20B PKD |
| | 11 | 9100000886 | 1 | HARNESS BATTERY EU PKD | CABLAGGIO BATTERIA EU PKD |
| K2 | 12 | | 1 | CLAMP CABLE BLACK | FASCETTA STRINGICAVO c.304100 |
| | 13 | 9100000885 | 1 | HANDLE FOR BATTERY CONNECTOR PKD | MANIGLIA PER CONNETTORE PKD |
| | 14 | 9100000884 | 1 | CONNECTOR RED 120A 2 PCS SET | CONNETTORE 120A ROSSO SET 2 PZ |
| | [K1] | 9100000798 | 1 | GASKETS COVER KIT | KIT GUARNIZIONI COPERCHIO |
| | [K2] | 9100000799 | 1 | HARDWARE ELECT. COMPONENTS KIT | KIT VITERIA COMPONENTI ELETTR. |

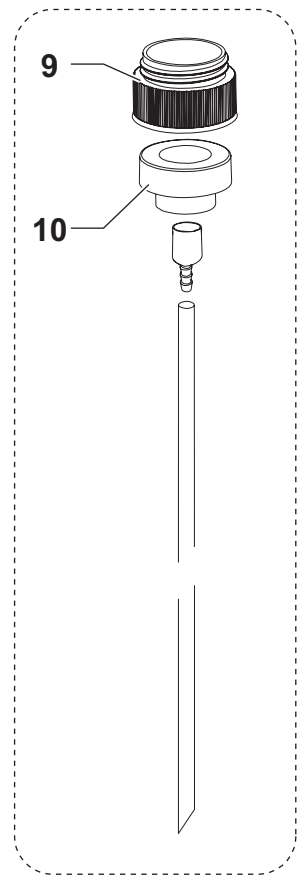
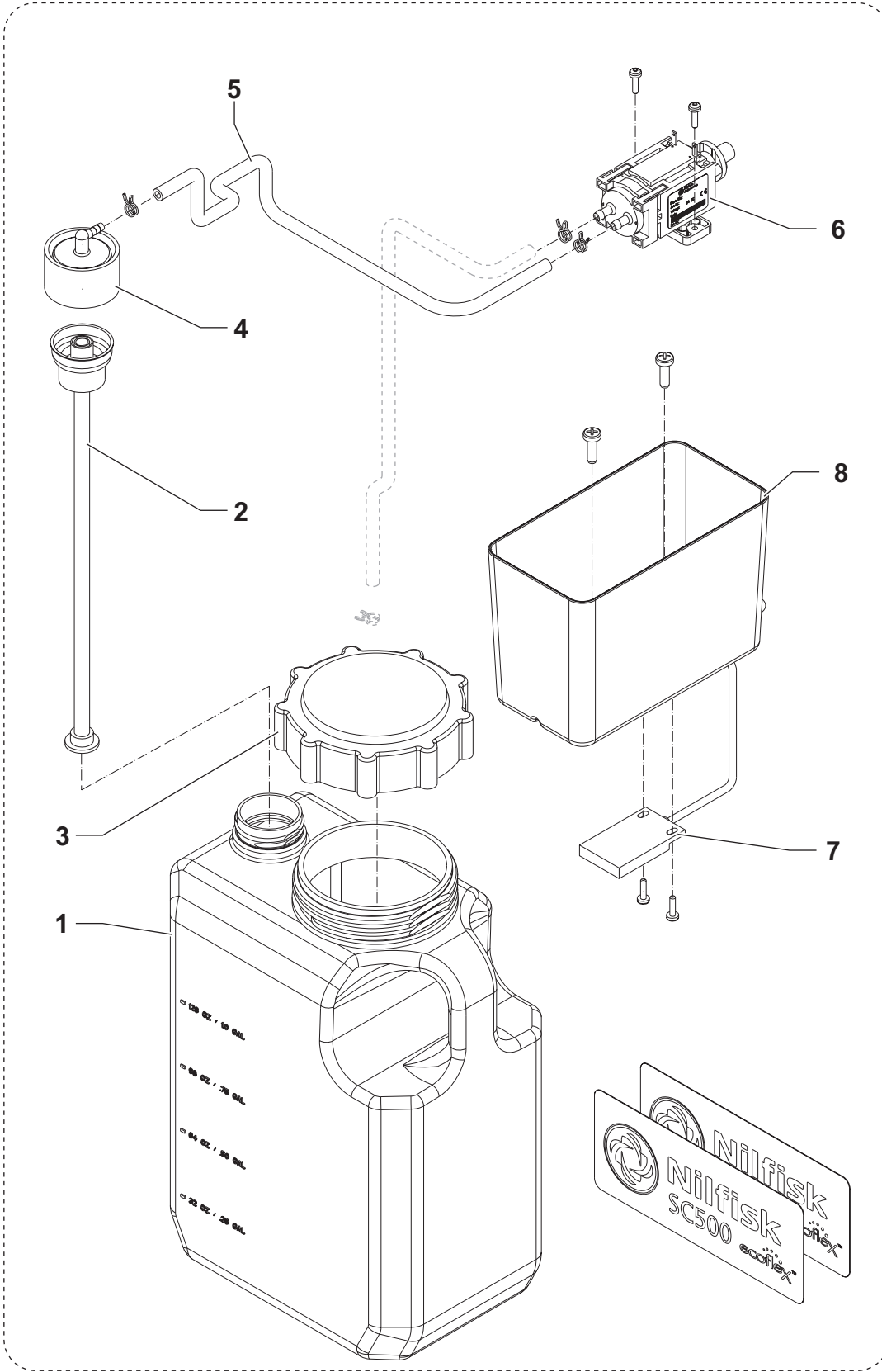
BATTERY CHARGER



BATTERY CHARGER

| KIT | ITEM | REF. NO. | QTY | DESCRIPTION | DESCRIZIONE |
|-----|--------------|-------------------|----------|---|---|
| K1 | 1 | | 3 | TIE CABLE 4.8x200 BLACK | FASCETTA NYLON 4.8x200 NERA |
| K1 | 2 | | 1 | TIE CABLE 2.9x130 BLACK | FASCETTA NYLON 2.9x130 NERA |
| K1 | 3 | | 1 | HOLDER.FLAT TIE | BASETTA PORTA-FASCETTA c.FTH-14R-01 |
| K1 | 4 | | 1 | SCREW CYL HD 5X16 SELF L. PLASTOFAST | VITE AUTOF TC+ 5X16 PLASTOFAST |
| K1 | 5 | 9100000888 | 1 | CHARGER BATT. O/B 24V 13A 100-230V PKD | CARICABATT. A BORDO 24V 13A 100-230V PKD |
| K1 | 6 | | 4 | SCREW 3.5X12 | WURTH0138103512 3.5X12 VITE AUTOF TCB PZ |
| K1 | 7 | 9100000787 | 1 | CABLE EXTENSION EU PLUG L.2000 PKD | PROLUNGA CAVO CARICABAT.SPINA EU L.2000 |
| K1 | 8 | 9100000829 | 1 | BAND ELASTIC F EXTENSION CABLE PKD | FASCIA ELASTICA CAVO PROLUNGA PKD |
| | [K1]* | 9099995000 | 1 | CHARGER BATT. O/B 24V 13A 100-230V KIT | KIT CARICABATT. A BORDO 24V 13A 100-230V |
| | | 9100000924 | 1 | INSTRUCTIONS INSTALL. KIT 9099995000 | ISTRUZIONI MONTAGGIO KIT 9099995000 |

ECOFLEX SYSTEM

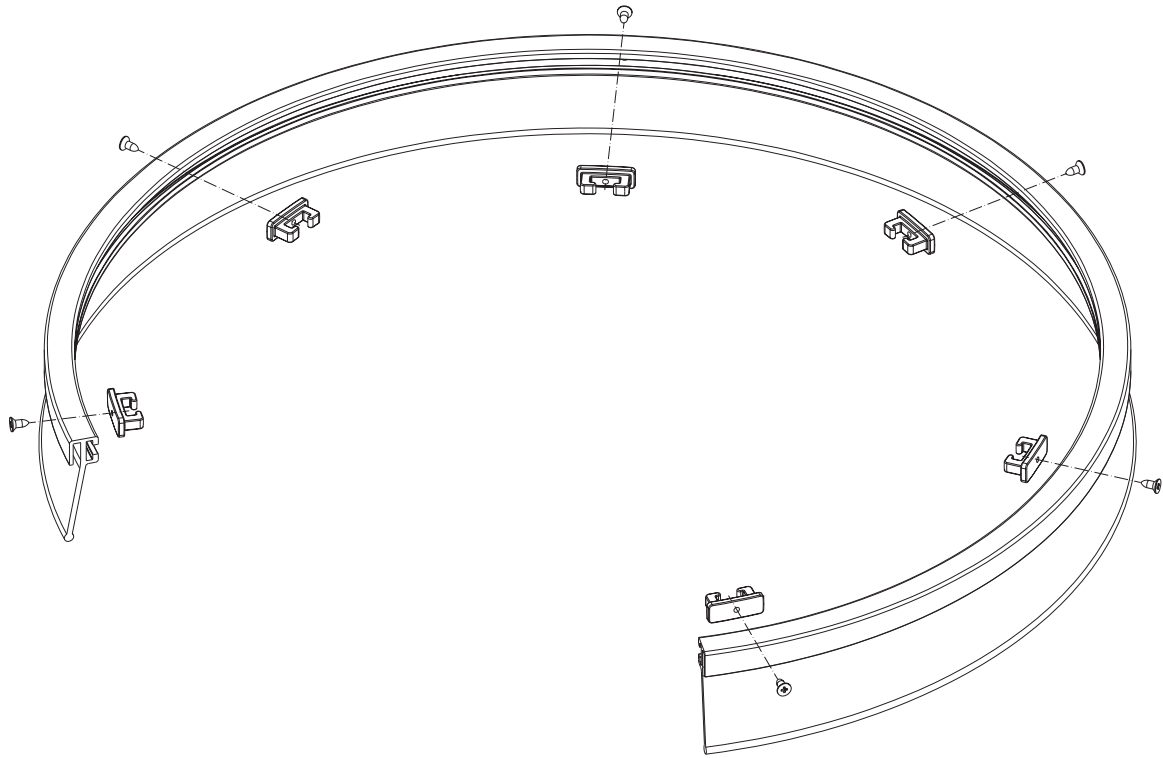


ECOFLEX SYSTEM

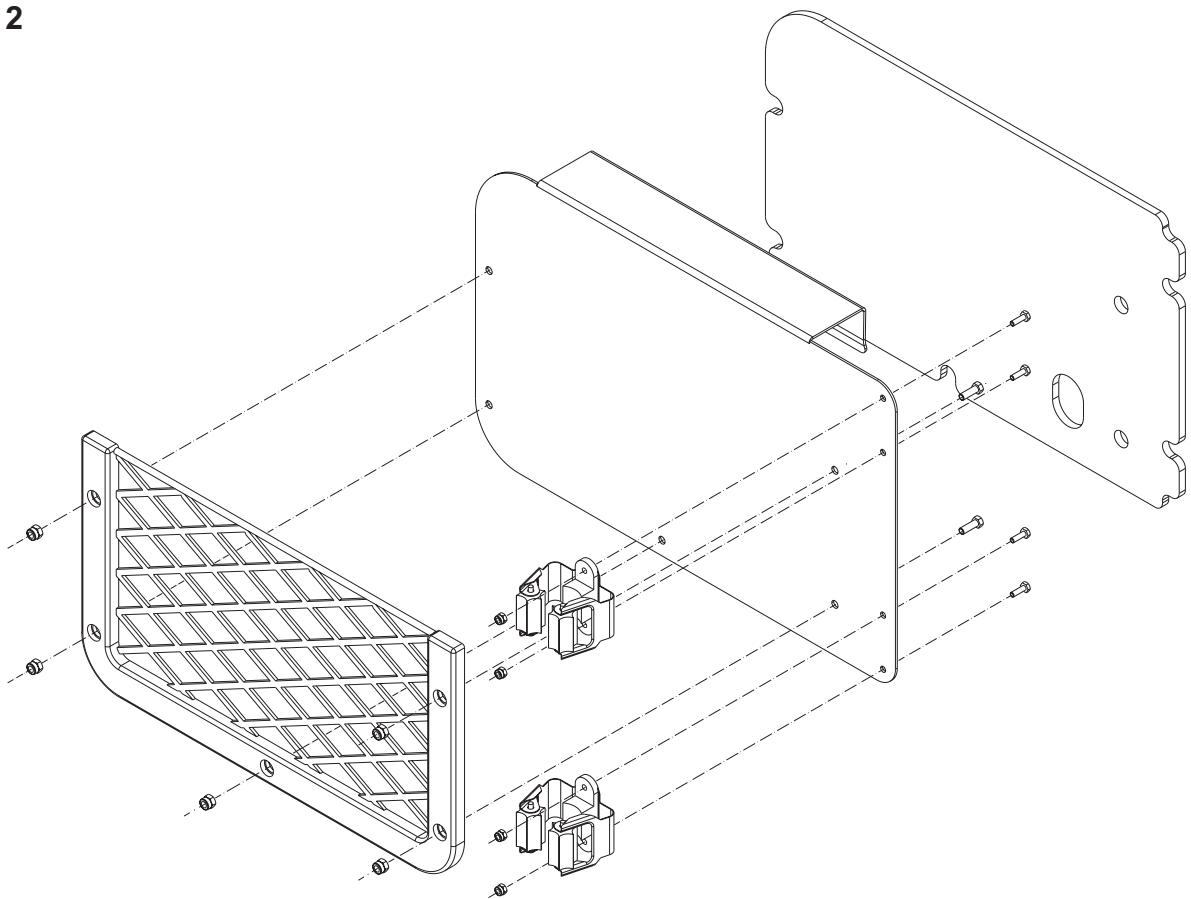
| KIT | ITEM | REF. NO. | QTY | DESCRIPTION | DESCRIZIONE |
|-----|--------------|-------------------|----------|--------------------------------------|-------------------------------------|
| K1 | 1 | | 1 | CHEMICAL TANK | SERBATOIO SOLUZIONE CHIMICA |
| K1 | 2 | | 1 | INSERT-DRY BRAKE | INSERTO FRENO |
| K1 | 3 | | 1 | CAP | TAPPO DI CARICO |
| K1 | 4 | | 1 | CAP DRY BREAK 1/8 BARB | TAPPO |
| K1 | 5 | 9100000891 | 1 | HOSE SILICONE D.4X7 L.300MM PKD | TUBO SILICONE D.4X7 PKD |
| K1 | 6 | 9100000892 | 1 | PUMP CHEMICAL MIX PKD | POMPA DETERGENTE CHIMICO PKD |
| K1 | 7 | 9100000893 | 1 | SENSOR WATER LEVEL PKD | SENSORE LIVELLO ACQUA PKD |
| K1 | 8 | | 1 | SUPPORT WATER LEVEL SENSOR | SUPPORTO SENSORE LIVELLO ACQUA |
| | [K1]* | 9100000008 | 1 | ECOFLEX CHEMICAL KIT SC500 | KIT ECOFLEX SC500 |
| | | 9100000923 | 1 | INSTRUCTIONS INSTALL. KIT 9100000008 | ISTRUZIONI MONTAGGIO KIT 9100000008 |
| K2 | 9 | 9097023000 | 1 | ADAPTER CHEMICAL TANK | ADATTATORE CONTENITORE DETERGENTE |
| K2 | 10 | 9097022000 | 1 | SENSOR CHEMICAL MIX LEVEL | SENSORE LIVELLO DETERGENTE |
| | [K2]* | 9098025000 | 1 | ADAPTER CHEMICAL KIT | KIT ADATTATORE DETERGENTE |

ACCESSORIES

1



2

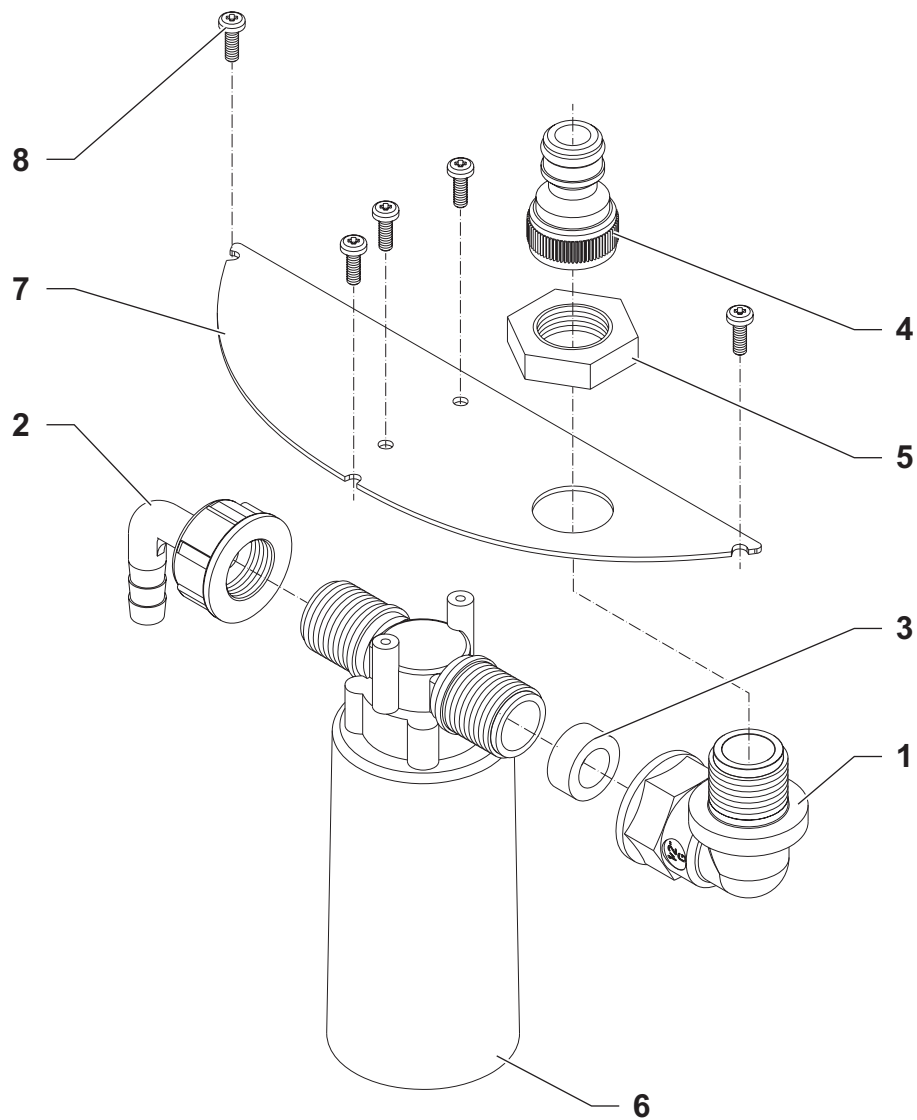


ACCESSORIES

| KIT | ITEM | REF. NO. | QTY | DESCRIPTION | DESCRIZIONE |
|-----|------|------------|-----|---------------------------|--------------------------|
| | 1* | 9099826000 | 1 | SPLASH GUARD 510MM 20 KIT | KIT PARASPRUZZI 510MM 20 |
| | 2* | 9100000065 | 1 | MOP AND TRASH KIT | KIT SUPPORTO SCOPIA |

ACCESSORIES

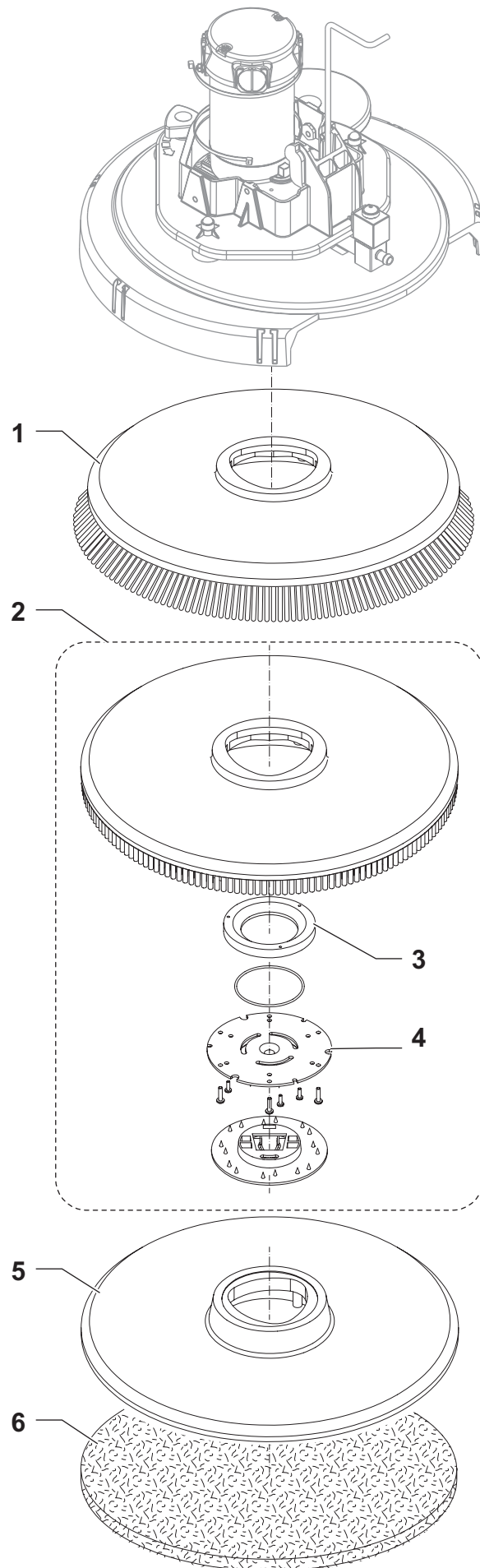
K1



ACCESSORIES

| KIT | ITEM | REF. NO. | QTY | DESCRIPTION | DESCRIZIONE |
|-----|------------|-------------------|----------|--------------------------------------|---|
| K1 | 1 | 9100000894 | 1 | ELBOW CURVED M/F PKD | RACCORDO CURVO M/F G 1/2 PKD |
| K1 | 2 | 9098777000 | 1 | HOLDER RUBBER 90 F HOSE D.10 PKD | PORTAGOMMA 90 PER TUBO D.10 PKD |
| K1 | 3 | 9100000896 | 1 | GASKET RUBBER D.11.5X19 H8 BLACK PKD | GUARNIZ. IN GOMMA D.11.5X19 H8 NERA PKD |
| K1 | 4 | | 1 | FITTING QUICK 1/2 GAS | ATTACCO RAPIDO 1/2 GAS |
| K1 | 5 | | 1 | NUT G 1/2 DIN 431 A SS | GHIERA G 1/2 DIN 431 A INOX |
| K1 | 6 | 9100000897 | 1 | VALVE WATER STOP PKD | VALVOLA ACQUASTOP PKD |
| K1 | 7 | 9100000898 | 1 | SUPPORT WATER STOP PKD | SUPPORTO ACQUASTOP PKD |
| K1 | 8 | | 5 | SCREW 3.5X10 THD FORMING SS | WURTH0932040384 3.5X10 VITE AUTOFC TC+ S/ |
| | K1* | 9100000005 | 1 | AUTOMATIC WATER FILLING KIT | KIT ACQUASTOP |

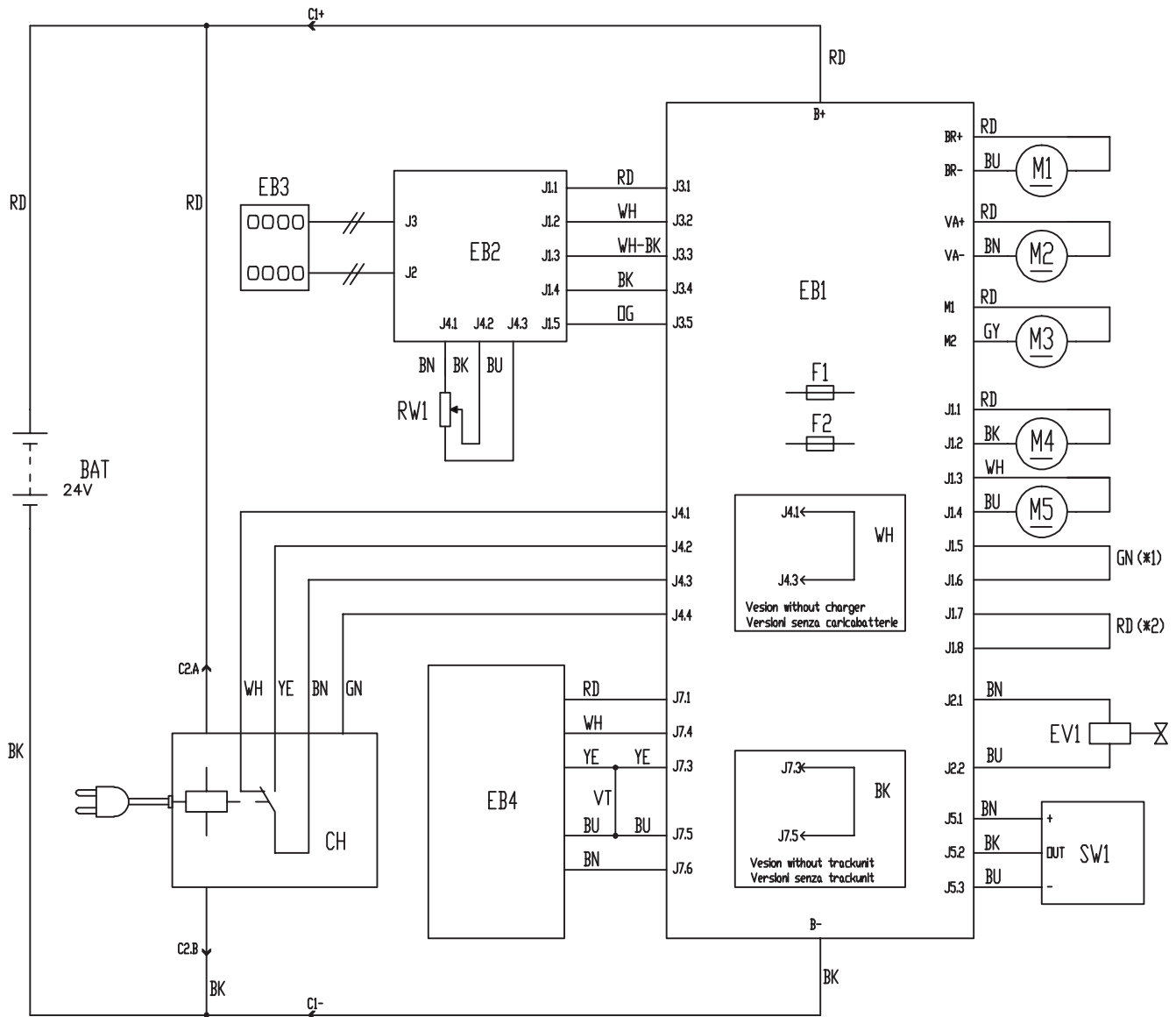
ACCESSORIES



ACCESSORIES

| KIT | ITEM | REF. NO. | QTY | DESCRIPTION | DESCRIZIONE |
|-----|------|------------|-----|--|--|
| | 1* | L08837025 | 1 | BRUSH DISC 530MM 21 PROLENE | SPAZZOLA DISCO 530MM 21 PROLENE |
| | 1* | L08837026 | 1 | BRUSH DISC 530MM 21 PROLITE | SPAZZOLA DISCO 530MM PROLITE |
| | 1* | L08837027 | 1 | BRUSH DISC 530MM 21 UNION MIX | SPAZZOLA DISCO 530MM UNION MIX |
| | 1* | L08837028 | 1 | BRUSH DISC 530MM 21 MIDLITE GRIT 180 | SPAZZOLA DISCO 530MM MIDLITE GRIT 180 |
| | 1* | L08837029 | 1 | BRUSH DISC 530MM 21 MID GRIT 240 | SPAZZOLA DISCO 530MM MID GRIT 240 |
| | 1* | L08837065 | 1 | BRUSH DISC 530MM 21 MAGNA GRIT 46 | SPAZZOLA DISCO 530MM MAGNA GRIT 46 |
| | 1* | L08837066 | 1 | BRUSH DISC 530MM 21 DYNA GRIT 80 | SPAZZOLA DISCO 530MM DYNA GRIT 80 |
| | 1* | L08837067 | 1 | BRUSH DISC 530MM 21 AGLITE GRIT 500 | SPAZZOLA DISCO 530MM AGLITE GRIT 500 |
| | 2* | L08837018 | 1 | PAD HOLDER 530MM | KIT DISCO TRASCINATORE COMPLETO |
| | 3 | L08603966 | 1 | RING NYLON | ANELLO NYLON |
| | 4 | 56505195 | 1 | PAD RETAINER | MOZZO ATTACCO SPAZZOLA (CENTER LOCK) |
| | 5* | 9099671000 | 1 | PAD HOLDER FLAT 20 508MM | DISCO TRASCINATORE PAD 20 508MM |
| | 6* | 10001955 | 1 | PAD 20 508MM ECO BLACK 5PCS | FELTRO 20 508MM ECO BLACK 5PCS |
| | 6* | 10001956 | 1 | PAD 20 508MM ECO BLUE 5PCS | FELTRO 20 508MM ECO BLUE 5PCS |
| | 6* | 10001957 | 1 | PAD 20 508MM ECO BROWN 5PCS | FELTRO 20 508MM ECO BROWN 5PCS |
| | 6* | 10001958 | 1 | PAD 20 508MM ECO GREEN 5PCS | FELTRO 20 508MM ECO GREEN 5PCS |
| | 6* | 10001959 | 1 | PAD 20 508MM ECO RED 5PCS | FELTRO 20 508MM ECO RED 5PCS |
| | 6* | 10001960 | 1 | PAD 20 508MM ECO WHITE 5PCS | FELTRO 20 508MM ECO WHITE 5PCS |
| | 6* | 10002348 | 1 | PAD 20 508MM ECO BRILLIANCE RED 2PCS | FELTRO 20 508MM ECO BRILL. RED 2PCS |
| | 6* | 10002349 | 1 | PAD 20 508MM ECO BRILLIANCE BLUE 2PCS | FELTRO 20 508MM ECO BRILL. BLUE 2PCS |
| | 6* | 10002350 | 1 | PAD 20 508MM ECO BRILL. YELLOW 2PCS | FELTRO 20 508MM ECO BRILL. YELLOW 2PCS |
| | 6* | 10002351 | 1 | PAD 20 508MM ECO BRILLIANCE GREEN 2PCS | FELTRO 20 508MM ECO BRILL. GREEN 2PCS |

WIRING DIAGRAM



WIRING DIAGRAM

| KEY | REF. NO. | DESCRIPTION | DESCRIZIONE |
|-----|------------|--|--|
| BAT | - | 24 V BATTERIES | BATTERIE 24 V |
| C1 | 9100000884 | CONNECTOR RED 120A 2 PCS SET | CONNETTORE 120A ROSSO SET 2 PZ |
| C2 | - | BATTERY CHARGER MAIN CONNECTOR | CONNETTORE PRINCIPALE CARICABATTERIE |
| C3 | - | BATTERY CHARGER SUB-CONNECTOR | CONNETTORE SECONDARIO CARICABATTERIE |
| CH | 9100000888 | CHARGER BATT. O/B 24V 13A 100-230V PKD | CARICABATT. A BORDO 24V 13A 100-230V PKD |
| EB1 | 9100000879 | CONTROLLER MAIN MACHINE PKD | SCHEDA FUNZIONI PKD |
| EB2 | 9100000842 | CARD DISPLAY PKD | SCHEDA DISPLAY PKD |
| EB3 | 9100000846 | DASHBOARD CONTROL PANEL PKD | SERIGRAFIA PLANCIA A MEMB. 53B/20B PKD |
| EB4 | - | TRACKUNIT PUSH-BUTTON (OPTIONAL) | PULSANTE TRACKUNIT (OPZIONALE) |
| EV1 | 9100000870 | SOLENOID VALVE 24V PKD | ELETTROVALVOLA 24V PKD |
| F1 | 9100000877 | FUSE MIDIFUSE 100A PKD | FUSIBILE 100A TIPO MIDI FUSE PKD |
| F2 | 9100000878 | FUSE BLADE 3A PKD | FUSIBILE A LAMA 3A PKD |
| M1 | 9100000874 | REDUCTION GEARMOTOR 450W 24V PKD | MOTORIDUTTORE 450W 24V PKD |
| M2 | 9100000823 | MOTOR VACUUM 24V 280W PKD | MOTORE ASPIRATORE 24V 280W PKD |
| M3 | 9100000828 | MOTOR ELECTRIC 200W 24V PKD | MOTORE ELETTRICO 200W 24V PKD |
| M3 | 9100000921 | MOTOR ELECTRIC 200W 24V | MOTORE ELETTRICO 200W 24V |
| M4 | 9100000892 | PUMP CHEMICAL MIX PKD | POMPA DETERGENTE CHIMICO PKD |
| M5 | 9100000805 | ACTUATOR LINEAR 24V DC STRK 120MM PKD | ATTUATORE LIN.24V CC C. 120MM PKD |
| RV1 | 9100000837 | POTENTIOMETER 5K PKD | POTENZIOMETRO 5K PKD |
| SW1 | 9100000893 | SENSOR WATER LEVEL PKD | SENSORE LIVELLO ACQUA PKD |

| KEY | COLOUR | COLORE |
|-----|------------|-----------|
| BK | BLACK | NERO |
| BU | LIGHT BLUE | AZZURRO |
| BN | BROWN | MARRONE |
| GN | GREEN | VERDE |
| GY | GREY | GRIGIO |
| OG | ORANGE | ARANCIONE |

| KEY | COLOUR | COLORE |
|-----|--------|--------|
| PK | PINK | ROSA |
| RD | RED | ROSSO |
| VT | VIOLET | VIOLA |
| WH | WHITE | BIANCO |
| YE | YELLOW | GIALLO |

RECOMMENDED PARTS

| REF. NO. | QTY | DESCRIPTION |
|--------------|-----|---|
| | | NORMAL WEAR |
| 910000829 | 1 | BAND ELASTIC F EXTENSION CABLE PKD |
| 910000810 | 1 | BLADE SQUEEGEE 740MM 29 GUM KIT |
| 910000490 | 1 | BLADE SQUEEGEE 730MM 29 PU KIT |
| 910000060 | 1 | BLADE SQUEEGEE 730MM 29 RED GUM KIT |
| 910000920 | 1 | CARBON BRUSHES W/HOLDER KIT |
| 9098376000 | 1 | CARBON BRUSHES KIT 4 PCS |
| | | ORDINARY MAINTENANCE |
| 910000794 | 1 | CABLE SAFETY F TANK KIT |
| 910000812 | 1 | HOSE DRAIN BLACK PKD |
| 910000889 | 1 | CLIP HOSE STOPPING 2 PCS SET |
| 910000816 | 1 | HOSE SUCTION BLACK PKD |
| 910000904 | 1 | MOTOR VACUUM 24V 280W CPL KIT |
| 910000819 | 1 | GASKET BULB RUBBER L.1670MM PKD |
| 910000823 | 1 | MOTOR VACUUM 24V 280W PKD |
| 910000739 | 1 | GASKETS VACUUM MOTOR KIT |
| 910000828 | 1 | MOTOR ELECTRIC 200W 24V PKD |
| 910000830 | 1 | WHEEL D.200X50 GREY-BLACK 2 PCS SET |
| 910000843 | 1 | KEY OPERATOR COMPLETE PKD |
| 910000902 | 2 | BEARING FLANGE IGLIDUR 2 PCS SET |
| 910000855 | 1 | SPRING GAS 30 KG PKD |
| 910000856 | 1 | WHEEL PIVOTING 2 PCS SET |
| 910000857 | 1 | SLEEVE SUCTION HOSE PKD |
| 910000903 | 1 | WASHER THRUST GTM 3254-015 PKD |
| 910000796 | 1 | HOSES SOLUTION SYSTEM KIT |
| 910000861 | 1 | NET WATER FILTER REINFORCED PKD |
| 910000559 | 3 | WHEEL D.51 GREY PKD |
| 910000864 | 1 | STRAP ELASTIC F REAR SQUEEGEE BLADE PKD |
| 910000865 | 1 | STRAP FRONT SQUEEGEE BLADE PKD |
| 910000867 | 1 | GUIDE WHEEL 2 PCS SET |
| 910000797 | 1 | HOSES BRUSH DECK KIT |
| 910000870 | 1 | SOLENOID VALVE 24V PKD |
| 910000871 | 1 | HUB BRUSH PKD |
| 910000874 | 1 | REDUCTION GEARMOTOR 450W 24V PKD |
| 910000798 | 1 | GASKETS COVER KIT |
| | | EXTRA ORDINARY MAINTENANCE |
| 910000803 | 1 | VALVE ELBOW PKD |
| 9098446000 | 1 | HOSE SOLUTION |
| 909 6380 000 | 1 | CLAMP KIT |
| 910000899 | 1 | FILTER WATER INLET PKD |
| 910000805 | 1 | ACTUATOR LINEAR 24V DC STRK 120MM PKD |
| 910000808 | 1 | RUBBER SOLUTION CAP PKD |
| 910000703 | 1 | HOSE FILLING PKD |
| 910000827 | 1 | MOTOR DRIVE 200W 24V PKD |
| 910000820 | 1 | HARNESS VACUUM MOTOR PKD |
| 9099767000 | 1 | SUPPORT FLOAT KIT |
| 910000837 | 1 | POTENTIOMETER 5K PKD |
| 910000842 | 1 | CARD DISPLAY PKD |
| 910000845 | 1 | HARNESS CONTROL PANEL PKD |
| 910000846 | 1 | DASHBOARD CONTROL PANEL PKD |
| 910000848 | 1 | KEY SERVICE COMPLETE PKD |
| 910000860 | 1 | FILTER WATER PKD |
| 910000747 | 1 | SQUEEGEE 730MM/29 PRE-ASSEMBLED PKD |
| 910000868 | 1 | VIBRATION DAMPING M8 60SH 2 PCS SET |
| 910000873 | 1 | DECK BRUSH PKD |
| 910000879 | 1 | CONTROLLER MAIN MACHINE PKD |
| 910000881 | 1 | HARNESS MACHINE SC500 53B/20B PKD |
| 910000884 | 1 | CONNECTOR RED 120A 2 PCS SET |
| 910000888 | 1 | CHARGER BATT. O/B 24V 13A 100-230V PKD |
| 910000892 | 1 | PUMP CHEMICAL MIX PKD |
| 910000893 | 1 | SENSOR WATER LEVEL PKD |

ACCESSORIES/OPTIONALS

| REF. NO. | QTY | DESCRIPTION |
|--------------|-----|--|
| 9100000703 | 1 | HOSE FILLING PKD |
| 9100000491 | 1 | HIGH POWER VACUUM MOTOR 24V 450W KIT |
| 9100000795 | 1 | TRAY DEBRIS KIT |
| 9100000843 | 1 | KEY OPERATOR COMPLETE PKD |
| 9100000848 | 1 | KEY SERVICE COMPLETE PKD |
| 909 5065 000 | 1 | FILTER ANTIFOAMING |
| 9100000810 | 1 | BLADE SQUEEGEE 740MM 29 GUM KIT |
| 9100000490 | 1 | BLADE SQUEEGEE 730MM 29 PU KIT |
| 9100000060 | 1 | BLADE SQUEEGEE 730MM 29 RED GUM KIT |
| 9099995000 | 1 | CHARGER BATT. O/B 24V 13A 100-230V KIT |
| 9100000008 | 1 | ECOFLEX CHEMICAL KIT SC500 |
| 9098025000 | 1 | ADAPTER CHEMICAL KIT |
| 9099826000 | 1 | SPLASH GUARD 510MM 20 KIT |
| 9100000065 | 1 | MOP AND TRASH KIT |
| 9100000005 | 1 | AUTOMATIC WATER FILLING KIT |
| L08837025 | 1 | BRUSH DISC 530MM 21 PROLENE |
| L08837026 | 1 | BRUSH DISC 530MM 21 PROLITE |
| L08837027 | 1 | BRUSH DISC 530MM 21 UNION MIX |
| L08837028 | 1 | BRUSH DISC 530MM 21 MIDLITE GRIT 180 |
| L08837029 | 1 | BRUSH DISC 530MM 21 MID GRIT 240 |
| L08837065 | 1 | BRUSH DISC 530MM 21 MAGNA GRIT 46 |
| L08837066 | 1 | BRUSH DISC 530MM 21 DYNA GRIT 80 |
| L08837067 | 1 | BRUSH DISC 530MM 21 AGLITE GRIT 500 |
| L08837018 | 1 | PAD HOLDER 530MM |
| 9099671000 | 1 | PAD HOLDER FLAT 20 508MM |
| 10001955 | 1 | PAD 20 508MM ECO BLACK 5PCS |
| 10001956 | 1 | PAD 20 508MM ECO BLUE 5PCS |
| 10001957 | 1 | PAD 20 508MM ECO BROWN 5PCS |
| 10001958 | 1 | PAD 20 508MM ECO GREEN 5PCS |
| 10001959 | 1 | PAD 20 508MM ECO RED 5PCS |
| 10001960 | 1 | PAD 20 508MM ECO WHITE 5PCS |
| 10002348 | 1 | PAD 20 508MM ECO BRILLIANCE RED 2PCS |
| 10002349 | 1 | PAD 20 508MM ECO BRILLIANCE BLUE 2PCS |
| 10002350 | 1 | PAD 20 508MM ECO BRILL. YELLOW 2PCS |
| 10002351 | 1 | PAD 20 508MM ECO BRILLIANCE GREEN 2PCS |

